

Accessories

Indicator Inserts for F-, C-Coils

Indicator Inserts

The inserts are installed between the solenoid coil and the socket. The yellow LED lights when voltage is applied. (Note: Before mounting, remove original coil gasket.)

With LEDs

For Valves with F-coil,
Solenoid Coil Types MSFG, MSFW
Type MFL-...

With Integrated Surge Supression
Type MFLZ-24

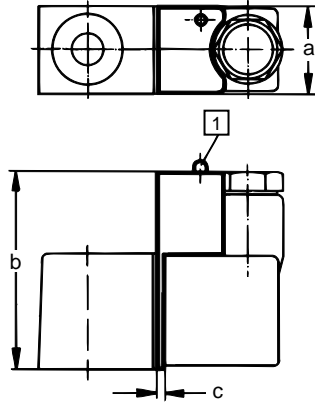
For Valves with C-coils,
Solenoid Coil Types MSG, MSW
Per DIN 43650 Design A
Type MCL-...

With Integral Surge Supression
Type MCLZ-24

Type MFL-...



Type MCL-...

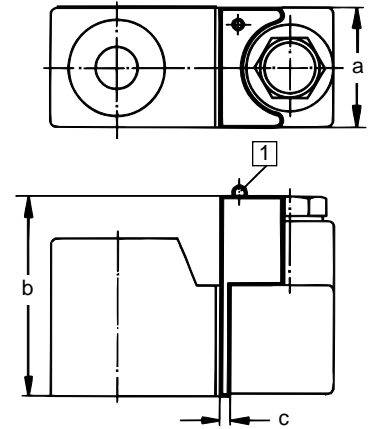
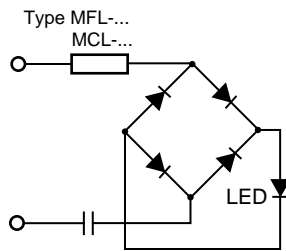


Dimensions

Type MFL

- a 0.85 in / 21.5 mm
- b 1.97 in / 50 mm
- c 0.06 in / 1.6 mm

1 LED



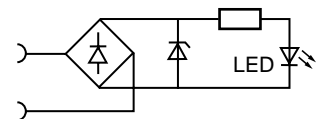
Dimensions

Type MCL

- a 1.18 in / 30 mm
- b 2.01 in / 51 mm
- c 0.08 in / 1.9 mm

1 LED

Type MFLZ-24
MCLZ-24



Order Number	Part No./Type	10004	10634	10005	12610
		MFL-24	MFL-110	MFL-220/50	MFLZ-24
		10000		10001	12611
		MCL-24		MCL-220/50	MCLZ-24
Design		Indicator Insert			
Voltages		24V DC ± 10% / 24V AC ± 10%	110V DC ± 10% / 60 Hz	220V AC ± 10% / 50 to 60 Hz	24V DC ± 10% / 24V AC ± 10%
Power Consumption		220 mW	220 mW	50 Hz 200 mW, 60 Hz 270 mW	220 mW
Protection		IP 64 (w/o gasket IP 40)			
Electrical Connection		MFL fits standard F-coils, MCL conforms to DIN 43650			
Temperature Range		MFL: +23 to +104°F / -5 to +40°C, MCL: +23 to 140°F / -5 to +60°C			
Protective Circuit		Zener diode ZY 47 20 W			
Weight	MFL:	0.024 lb / 0.011 kg	—	0.024 lb / 0.011 kg	0.265 lb / 0.120 kg
	MCL:	0.026 lb / 0.012 kg	—	0.026 lb / 0.012 kg	0.265 lb / 0.120 kg