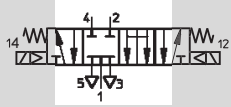


Solenoid Actuated Valves

5/4 - 5 Ported, 4 Way, 4 Position Valves, Piloted G 1/2

Double Solenoid Valve

Spring Centered with Socket
Type MC-5/4-1/2



Note:

Zero Position: 1, 2, 3, 4, 5 blocked
Simultaneous electrical actuation of solenoids: 1, 2, 3, 4, 5.

Accessories:

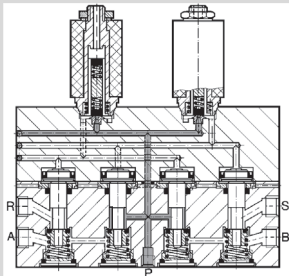
Solenoids, see pages 732-733.

Sockets, Types MSSD-C, KMC-..., see pages 734-735.

LED inserts, Types MC-..., MCL-..., see pages 738-739.

Exhaust throttle with silencer

Order No. 4869 GRU-1/2, see page 817.



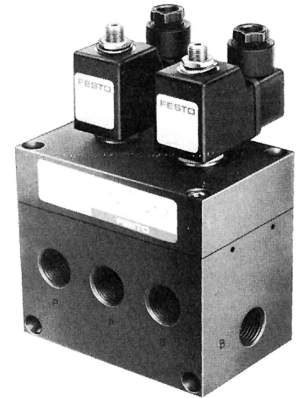
- 1 (P) = Supply Port
- 4, 2 (A, B) = Working or Outlet Ports
- 5, 3 (R, S) = Exhaust Ports

In centered position, these valves hold the piston of a double-acting cylinder clamped under pressure.

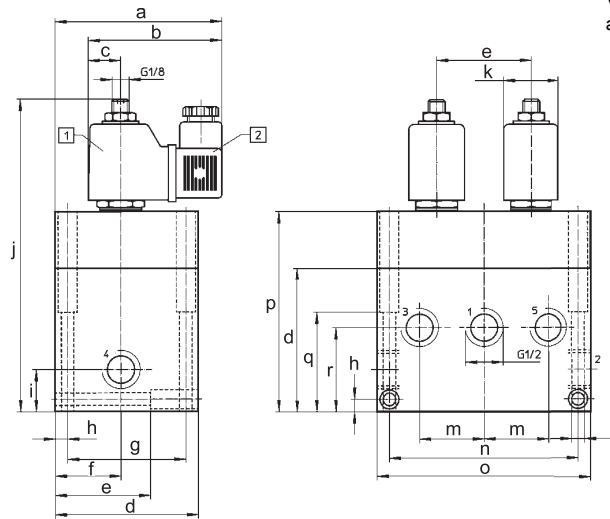
For this reason, they are especially suited for positioning, emergency shut-down and holding double-acting cylinders in any desired position.

Speed control valves must be used only at the exhaust ports to prevent cylinder creep.

The separate exhaust ports R and S permit separate control of cylinder extension and retraction speeds.



Valve shown with solenoid and socket accessories.



- 1 Solenoid coil can be rotated
- 2 Plug can be turned 90°

Dimensions

a	3.45 in / 87.5 mm
b	2.76 in / 70 mm
c	0.67 in / 17 mm
d	2.95 in / 75 mm
e	1.97 in / 50 mm
f	1.34 in / 34.5 mm
g	2.44 in / 62 mm
h	0.26 in / 6.5 mm
i	0.87 in / 22 mm
j	6.48 in / 164.5 mm
k	1.16 in / 29.5 mm
l	0.26 in / 6.6 mm
m	1.34 in / 34 mm
n	3.94 in / 100 mm
o	4.45 in / 113 mm
p	4.13 in / 105 mm
q	2.05 in / 52 mm
r	1.73 in / 44 mm

Order Number	Part No./Type	4861 MC-5/4-1/2	
Medium		Compressed air (filtered, lubricated or unlubricated)	
Mounting		Holes through housing	
Connection		G 1/2 ISO	
Orifice Size		0.47 in / 12 mm	
C _v Factor (P → A)		2.7 C _v / 2700 l/min	
Pressure Range		30-150 psi / 2-10 bar	
Response Time at 90 psi / 6 bar		On: 28 ms Off: 33 ms	
Ambient Temperature		23 to 104°F / -5 to +40°C	
Medium Temperature		14 to 140°F / -10 to +60°C	
Design		Seat valve, piloted, with spring centering	
Materials		Housing: Al, blue, anodized. Seals: Buna N	
Weight		5.908 lb / 2.680 kg	
Direct Current	Standard Voltage	12 and 24V	
	Available Voltage	12-240V	
Alternating Current	Standard Voltage	24, 42, 110, 220V / 50 Hz	
	Available Voltage	24-380V / 50 or 60 Hz	
Power Consumption	DC	12 W	
	AC	Inrush: 30 VA, holding: 22 VA	
ED Switching Time		100%	
Type of Protection		IP 65 (DIN 40050)	

For solenoids, see pages 732-733.