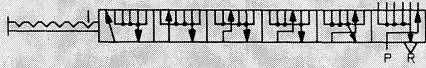


Selector Valve Type HW-6-38



Dial, Type HWF-6-38

to indicate position of selector valve

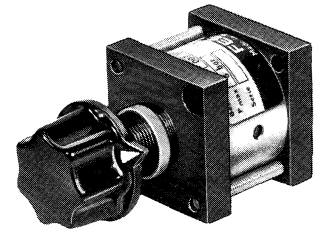
The selector valve is a manually operated directional control valve with a slide plate connecting the pressure inlet (P) with any one of the six outlet ports. The non-selected ports are exhausted. Switching is accomplished without crossover. The six selector positions are detented.

The selector switch is supplied with knob and pointer.

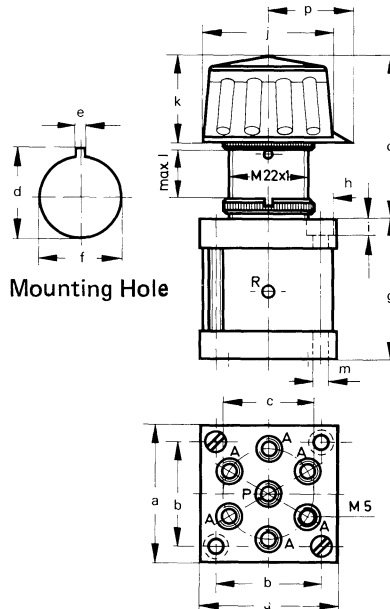
The valve is mounted either by attaching the base flange to an independent sub-base (O-rings included) or by front panel mounting.

Mounting Hole Diameter

For HW-6-38 7/8 in / 22.5 mm

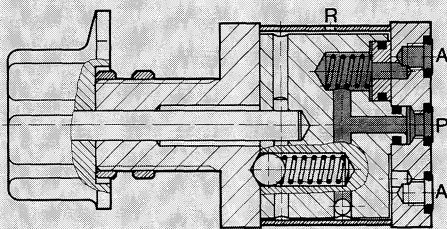


Type HW-6-38



Dimensions

- a 1.50 in / 38 mm
- b 1.15 in / 29 mm
- c 0.99 in / 25 mm
- d 0.96 in / 24.6 mm
- e 0.08 in / 2.1 mm
- f 0.88 in / 22.3 mm
- g 1.54 in / 39 mm
- h 0.29 in / 7.4 mm
- i 0.18 in / 4.6 mm
- j 1.42 in / 36 mm
- k 0.94 in / 24 mm
- l 0.43 in / 11 mm
- m 0.16 in / 4.3 mm
- n 2.83 in / 72 mm
- o 1.77 in / 45 mm
- p 0.91 in / 23 mm



1 (P) = Supply 2 (A) = Outlet 3 (R) = Exhaust



The self-adhesive dial has a hole 7/8 in / 22.3 mm diameter.

Order Number	7199 HW-6-38	7222 HWF-6-38
Medium	Compressed air (filtered, lubricated or unlubricated)	
Mounting	Front panel or sub-base mounting	
Connection	M5 or sub-base mounting (with O-ring seals)	
Orifice Size	0.13 in / 3.2 mm	
C _v Factor	0.18 C _v / 180 l/min	
Pressure Range	0-120 psi / 0-8 bar	
Operating Force at 90 psi / 6 bar Supply*	8.9 in lb / 1 Nm	
Design	Plate slide valve	
Material	Housing: Al, steel. Seals: Buna N	
Weight	0.375 lb / 0.170 kg	0.011 lb / 0.005 kg

*14 to 140°F / -10 to 60°C