

# Manually Actuated Lever/Push-Button Valves

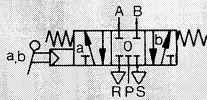
5/3 - 5 Ported, 4 Way, 3 Position Valves, Piloted, G 1/4 ISO

# FESTO

## Hand Lever Valve

Spring Centered

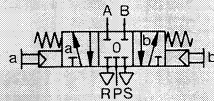
Type H-5/3-1/4



## Double Push-Button Valve

Spring Centered

Type T-5/3-1/4



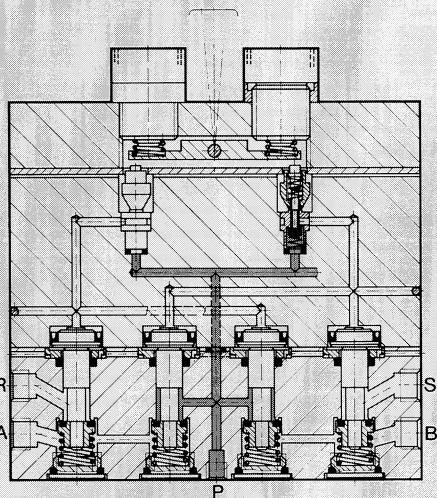
These blocked center valves will hold the piston of a double-acting cylinder in place under pressure.

For this reason, they are especially suited for positioning, emergency shut-down, and holding of double-acting cylinders in any desired position.

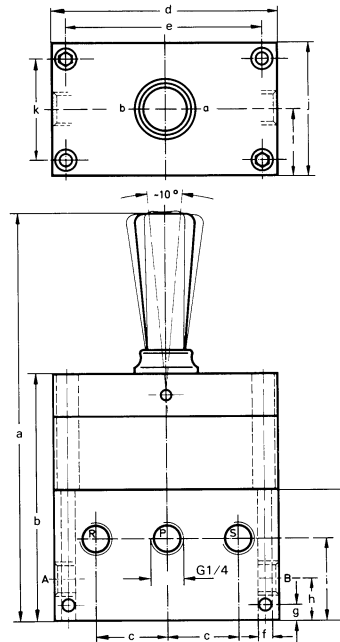
The separate ports R and S allow for regulating cylinder extension and retraction speeds independently by means of exhaust throttles.

Speed control valves must be used only at the exhaust ports to prevent cylinder creep.

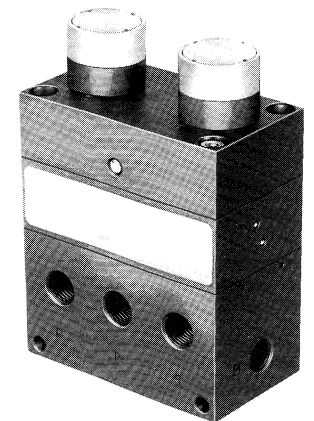
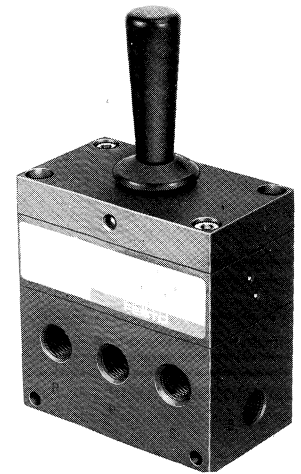
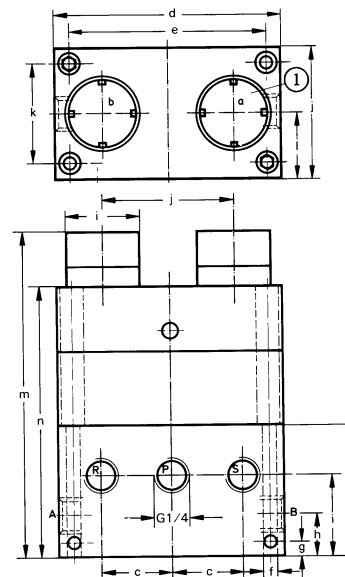
Exhaust Throttles with Silencers. See pages 816-819.



Type H-5/3-1/4



Type T-5/3-1/4



### Dimensions

a	6.15 in / 156 mm	i	1.22 in / 32 mm
b	3.66 in / 93 mm	j	1.97 in / 50 mm
c	1.06 in / 27 mm	k	1.50 in / 38 mm
d	3.43 in / 87 mm	l	1.04 in / 26.5 mm
e	2.96 in / 75 mm	m	4.83 in / 122.7 mm
f	0.22 in / 5.5 mm	n	4.06 in / 103 mm
g	0.20 in / 5 mm	o	1.18 in / 30 mm
h	0.63 in / 16 mm		

- 1 (P) = Supply
- 2, 4 (A, B) = Outlet
- 3, 5 (R, S) = Exhaust

Order Number	4577 H-5/3-1/4	4578 T-5/3-1/4
Medium	Compressed air (filtered, lubricated or unlubricated)	
Mounting	Holes through housing	
Connection	G 1/4 ISO	
Orifice Size	0.28 in / 7 mm	
C <sub>v</sub> Factor	0.68 C <sub>v</sub> / 680 l/min	
Pressure Range	30-150 psi / 2-10 bar	
Operating Force at 90 psi / 6 bar Supply*	1.1 lbf / 5 N	1.8 lbf / 8 N
Design	Seat valve, piloted, spring centered	
Material	Housing: Al, blue anodized. Seals: Buna N.	
Weight	2.336 lb / 1.060 kg	2.557 lb / 1.160 kg

\* 14 to 140°F / -10 to +60°C