

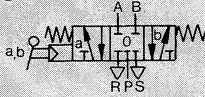
Manually Actuated Lever Valves

5/3 - 5 Ported, 4 Way, 3 Position Valves, Piloted, G 1/2 ISO

Hand Lever Valve

Spring Centered

Type H-5/3-1/2



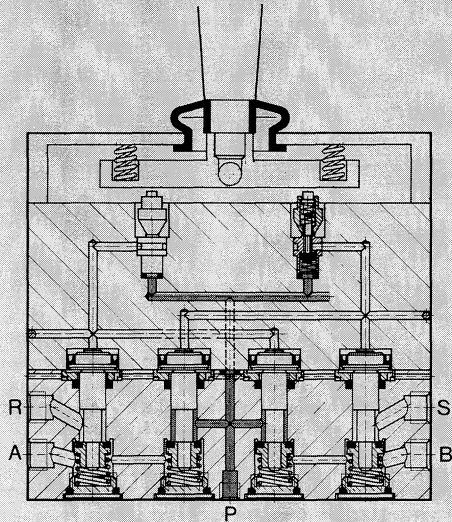
These blocked center valves will hold the piston of a double-acting cylinder in place under pressure.

For this reason, they are especially suited for positioning, emergency shut-down and holding double-acting cylinders in any desired position.

The separate ports R and S allow for regulating cylinder extension and retraction speeds independently by means of exhaust throttles.

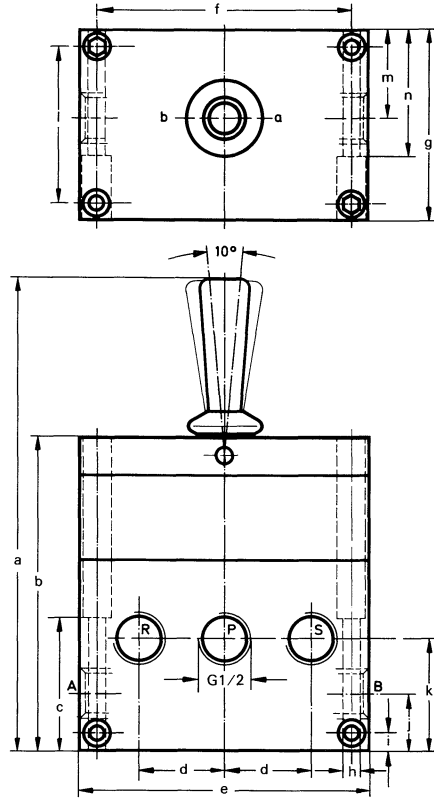
Speed control valves must be used only at the exhaust ports to prevent cylinder creep.

Exhaust Throttles with Silencers. See pages 816-819.



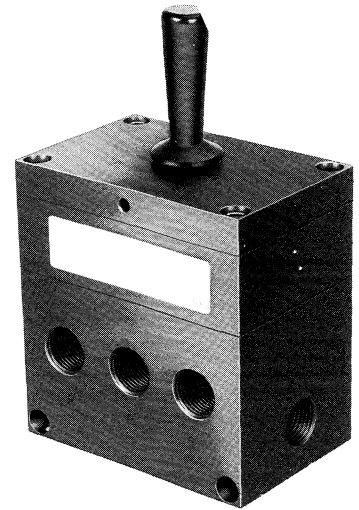
- 1 (P) = Supply
- 2, 4 (A, B) = Outlet
- 3, 5 (R, S) = Exhaust

Type H-5/3-1/2



Dimensions

- | | | | |
|---|------------------|---|-------------------|
| a | 7.33 in / 186 mm | h | 0.26 in / 6.6 mm |
| b | 4.85 in / 132 mm | i | 0.26 in / 6.5 mm |
| c | 2.05 in / 52 mm | j | 0.87 in / 22 mm |
| d | 1.34 in / 34 mm | k | 1.73 in / 44 mm |
| e | 3.45 in / 113 mm | l | 2.44 in / 62 mm |
| f | 3.94 in / 100 mm | m | 1.36 in / 34.5 mm |
| g | 2.96 in / 75 mm | n | 1.97 in / 50 mm |



Order Number	4920 H-5/3-1/2
Medium	Compressed air (filtered, lubricated or unlubricated)
Mounting	Two holes through housing
Connection	G 1/2 ISO
Orifice Size	0.47 in / 12 mm
C _v Factor	2.70 C _v / 2700 l/min
Pressure Range	30 to 150 psi / 2 to 10 bar
Operating Force at 90 psi / 6 bar Supply Pressure*	1 lbf / 5 N
Design	Seat valve, piloted, spring centered
Materials	Housing: Al, blue anodized. Seals: Buna N
Weight	6.084 lb / 2.760 kg

* 14 to 140°F / -10 to +60°C