



- **One-way flow control valves for exhaust and supply air flow control**
- **Flow control valves without non-return function**
- **For threads M3 ... G³/₄ and push-in fitting
Ø 3 ... 12 mm**
- **Functional combinations with one-way flow control valve and piloted non-return valve**
- **Polymer and metal designs**
- **Designs free of copper, PTFE and silicone**
- **Corrosion resistant designs**

Flow control valves and one-way flow control valves

Key features



General information

Standard nominal flow rate q_{nN}

The standard nominal flow rate q_{nN} is the flow rate based on standard conditions at an input pressure of $p_1 = 6$ bar and an output pressure of $p_2 = 5$ bar, measured at room temperature $t = 20$ °C.

Standard flow rate q_n

The standard flow rate is measured at an input pressure of $p_1 = 6$ bar and an output pressure with respect to atmospheric pressure ($p_2 = 0$ bar).

Exhaust air flow control



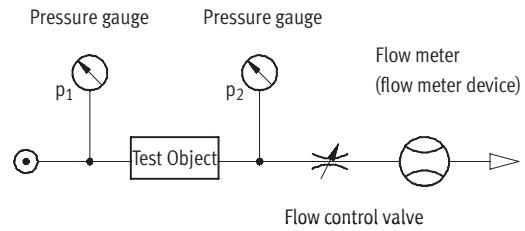
Supply air flow control



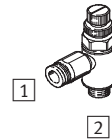
Flow control at both sides



Flow measurement circuit



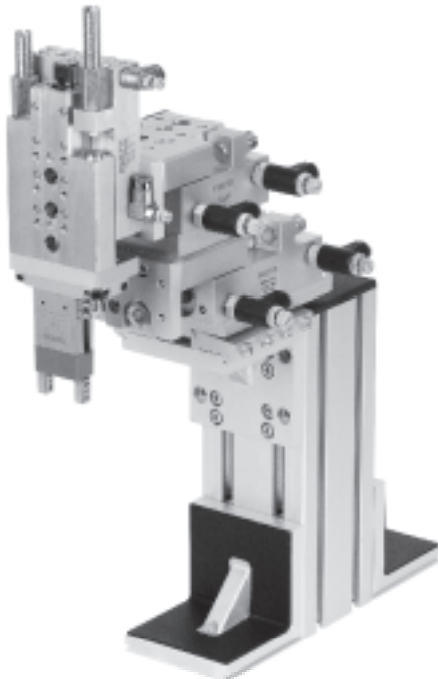
p_1 Input pressure
 p_2 Output pressure



1 Compressed air connection
2 Working connection

Typical applications

Mini slide SLT with standard flow control valves



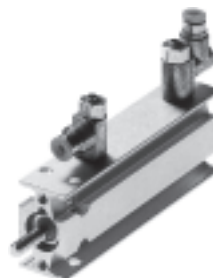
Gripper HGW with mini flow control valves



Flat cylinder DZF with mini flow control valves



Multimount cylinder DMM with mini flow control valves








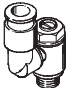
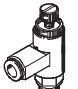

Flow control valves and one-way flow control valves

Key features

Flow control functions and range of applications			
Circuit symbol	Description	Circuit symbol	Description
Double-acting cylinder with one-way flow control valve			
Exhaust air flow control		Supply air flow control	
	<p>Speed adjustment through exhaust air flow control. Uncontrolled supply air and controlled exhaust moves the piston between air cushions (improves motion, even with load changes).</p>		<p>Adjustable speed of advance and return strokes. The air flow is identical in both directions.</p>
Single-acting cylinder with one-way flow control valve		Single-acting cylinder with flow control valve	
Exhaust and supply air flow control		Flow control acting at both sides	
	<p>Adjustable speed of advance and return strokes. The air flow can be adjusted differently for both directions.</p>		<p>Speed adjustment through flow control at both sides is often applied in the case of single-acting or small cylinders. The benefit of this application lies in its simplicity.</p>

Flow control and one-way flow control valves

Product range overview

Function	Version	Type	Material	Flow rate characteristic ¹⁾	One-way flow control function		
					Exhaust air	Supply air	Both
					A	Z	O
Standard flow control valve with QS push-in fitting	Rotatable 360° around the screw-in axis after installation						
	Adjustment via slotted head screw						
		GRLA-...-QS-...-D GRLZ-...-QS-...-D	Metal	Low flow	■	■	-
					■	■	-
					■	-	-
					■	-	-
					■	-	-
	Adjustment via slotted head screw						
		GRLA-...-QS-...-MF-D	Metal	Medium flow	■	-	-
	Adjustment via slotted head screw						
		GRLA-F-...-QS-...-D	Chromed metal	Medium flow	■	-	-
	Adjustment via knurled screw						
		GRLA-...-QS-...-RS-D	Metal	Low flow	■	-	-
					■	-	-
					■	-	-
					■	-	-
					■	-	-
	Adjustment via knurled screw						
		GRLA-...-QS-...-RS-MF-D	Metal	Medium flow	■	-	-
					■	-	-
Adjustment via slotted head screw, swivel joint rotatable 360°							
	GRXA-...-QS-...-D	Metal	Low flow	■	-	-	
				■	-	-	
				■	-	-	
Adjustment via knurled screw							
	GRLA-...-QS-...-RS-B	Polymer	High flow	■	-	-	
				■	-	-	
				■	-	-	
Adjustment via slotted head screw, push-in sleeve for QS push-in fittings							
	VFOC-E-...	Metal	Low flow	■	-	-	
				■	-	-	

1) Low flow: Precision adjustment for low speed
Medium flow: Precision adjustment for medium speed
High flow: Precision adjustment for high speed

Flow control and one-way flow control valves

Product range overview

Type	Pneumatic connection							Free of copper, PTFE and silicone	→ Page	
	Thread	Tubing Ø [mm]								Tubing type ¹⁾
		3	4	6	8	10	12			
Rotatable 360° around the screw-in axis after installation										
Adjustment via slotted head screw										
GRLA-...-QS-...-D	M5	■	■	■	-	-	-	PUN/PAN/PLN/PFAN (standard O.D.)	■	2 / 5.6-13
GRLZ-...-QS-...-D	G1/8	■	■	■	■	-	-		■	
	G1/4	-	-	■	■	■	-		■	
	G3/8	-	-	■	■	■	-		■	
	G1/2	-	-	-	-	-	■		■	
Adjustment via slotted head screw										
GRLA-...-QS-...-MF-D	G1/8	-	-	■	■	-	-	PUN/PAN/PLN/PFAN (standard O.D.)	■	2 / 5.6-13
Adjustment via slotted head screw										
GRLA-F-...-QS-...-D	G1/8	-	■	■	■	-	-	PUN/PAN/PLN/PFAN (standard O.D.)	■	2 / 5.6-20
	G1/4	-	-	■	■	-	-		■	
Adjustment via knurled screw										
GRLA-...-QS-...-RS-D	M5	■	■	■	-	-	-	PUN/PAN/PLN/PFAN (standard O.D.)	■	2 / 5.6-13
	G1/8	■	■	■	■	-	-		■	
	G1/4	-	-	■	■	■	-		■	
	G3/8	-	-	■	■	■	-		■	
	G1/2	-	-	-	-	-	■		■	
Adjustment via knurled screw										
GRLA-...-QS-...-RS-MF-D	G1/8	-	-	■	■	-	-	PUN/PAN/PLN/PFAN (standard O.D.)	■	2 / 5.6-13
Adjustment via slotted head screw, swivel joint rotatable 360°										
GRXA-...-QS-...-D	M5	■	■	■	-	-	-	PUN/PAN/PLN/PFAN (standard O.D.)	■	2 / 5.6-13
	G1/8	■	■	■	■	-	-		■	
	G1/4	-	-	■	■	■	-		■	
Adjustment via knurled screw										
GRLA-...-QS-...-RS-B	G1/8	-	-	■	■	-	-	PUN/PAN/PLN/PFAN (standard O.D.)	-	2 / 5.6-20
	G1/4	-	-	■	■	-	-		-	
	G3/8	-	-	■	■	-	-		-	
Adjustment via slotted head screw, push-in sleeve for QS push-in fittings										
VFOC-E-...	-	-	■	-	-	-	-	PUN/PAN/PLN/PFAN (standard O.D.)	-	2 / 5.6-79
	-	-	-	■	-	-	-		-	

1) Tubing → Volume 3

Flow control and one-way flow control valves

Product range overview



Function	Version	Type	Material	Flow rate characteristic ¹⁾	One-way flow control function		
					Exhaust air	Supply air	Both
					A	Z	O
Standard flow control valve with female thread connection	Adjustment via slotted head screw						
		GRLA-...-B	Metal	Medium flow	■	■	■
		GRLZ-...-B			■	■	-
		GRL0-...-B			■	■	-
					■	-	-
					■	-	-
					■	-	-
	Adjustment via knurled screw						
		GRLA-...-RS-B	Metal	Medium flow	■	■	-
		GRLZ-...-RS-B			■	■	-
					■	■	-
	Standard flow control valve with barbed fitting connection PK	Adjustment via slotted head screw					
		GRLA-...-PK-...-B	Metal	Medium flow	■	■	■ ²⁾
		GRLZ-...-PK-...-B			■	■	-
		GRL0-...-PK-...-B			■	■	-
Adjustment via knurled screw							
		GRLA-...-PK-...-RS-B	Metal	Medium flow	■	■	-
		GRLZ-...-PK-...-RS-B			■	■	-
					■	■	-

- 1) Low flow: Precision adjustment for low speed
 Medium flow: Precision adjustment for medium speed
 High flow: Precision adjustment for high speed
 2) Only for tubing I.D. 3 mm

Flow control and one-way flow control valves

Product range overview










Type	Pneumatic connection							Free of copper, PTFE and silicone	→ Page	
	Thread	Tubing Ø [mm]								Tubing type ¹⁾
		3	4	6	8	10	12			
Adjustment via slotted head screw										
GRLA-...-B	M5	Dependent on fitting						-	2 / 5.6-34	
GRLZ-...-B	G1/8									
GRLZ-...-B	G1/4									
GRLZ-...-B	G3/8									
GRLZ-...-B	G1/2									
GRLZ-...-B	G3/4									
Adjustment via knurled screw										
GRLA-...-RS-B	M5	Dependent on fitting						-	2 / 5.6-34	
GRLZ-...-RS-B	G1/8									
GRLZ-...-RS-B	G1/4									
Adjustment via slotted head screw										
GRLA-...-PK-...-B	M5	■	■	-	-	-	-	PU/PL/PP (standard I.D.)	2 / 5.6-40	
GRLZ-...-PK-...-B	G1/8	■	■	■	-	-	-			
GRLZ-...-PK-...-B	G1/4	-	■	■	-	-	-			
Adjustment via knurled screw										
GRLA-...-PK-...-RS-B	M5	■	-	-	-	-	-	PU/PL/PP (standard I.D.)	2 / 5.6-40	
GRLZ-...-PK-...-RS-B	G1/8	-	■	■	-	-	-			
GRLZ-...-PK-...-RS-B	G1/4	-	■	■	-	-	-			

1) Tubing → Volume 3

Flow control and one-way flow control valves

Product range overview



Function	Version	Type	Material	Flow rate characteristic ¹⁾	One-way flow control function						
					Exhaust air	Supply air	Both				
					A	Z	O				
Mini flow control valve with QS push-in fitting	Adjustment via slotted head screw			Low flow	■	■	■				
		GRLA-...-QS-...	Metal					Low flow	■	■	■
		GRLZ-...-QS-...									
		GRLO-...-QS-...									
		GRGA-...-QS-...-LF-C	Metal					Low flow	■	■	■
		GRLZ-...-QS-...-LF-C									
GRGO-...-QS-...-LF-C											
Mini flow control valve with female thread connection	Adjustment via slotted head screw			Low flow	■	■	■				
		GRLA-...	Metal					Low flow	■	■	■
		GRLZ-...									
		GRLO-...									
		GRLA-...-LF-C	Metal					Low flow	■	■	■
		GRLZ-...-LF-C									
GRLO-...-LF-C											
Mini flow control valve with barbed fitting connection PK	Adjustment via slotted head screw			Low flow	■	■	■				
		GRLA-...-PK-...-LF-C	Metal					Low flow	■	■	■
		GRLZ-...-PK-...-LF-C									
		GRLO-...-PK-...-LF-C									
		GRGA-...-PK-...-LF-C	Metal					Low flow	■	■	■
		GRGZ-...-PK-...-LF-C									
GRGO-...-PK-...-LF-C											
Corrosion resistant flow control valve with female thread connection	Adjustment via slotted head screw			Medium flow	■	-	-				
		CRGRLA-...-B	Stainless steel					Medium flow	■	-	-

1) Low flow: Precision adjustment for low speed
 Medium flow: Precision adjustment for medium speed
 High flow: Precision adjustment for high speed

Flow control and one-way flow control valves

Product range overview


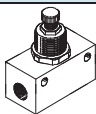


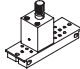

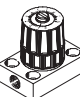
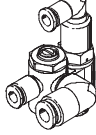



Type	Pneumatic connection							Free of copper, PTFE and silicone	→ Page	
	Thread	Tubing Ø [mm]								Tubing type ¹⁾
		3	4	6	8	10	12			
Adjustment via slotted head screw										
GRLA-...-QS-... GRLZ-...-QS-... GRLO-...-QS-...	M3	■	-	-	-	-	-	PUN/PAN/PLN/PFAN (standard O.D.)	-	2 / 5.6-29
GRLA-...-QS-...-LF-C GRLZ-...-QS-...-LF-C GRLO-...-QS-...-LF-C	M5	■	■	-	-	-	-		-	
GRGA-...-QS-... GRGZ-...-QS-... GRGO-...-QS-...	M3	■	-	-	-	-	-	PUN/PAN/PLN/PFAN (standard O.D.)	-	
GRGA-...-QS-...-LF-C GRGZ-...-QS-...-LF-C GRGO-...-QS-...-LF-C	M5	■	■	-	-	-	-		-	
Adjustment via slotted head screw										
GRLA-... GRLZ-... GRLO-...	M3	Dependent on fitting						-	2 / 5.6-46	
GRLA-...-LF-C GRLZ-...-LF-C GRLO-...-LF-C	M5							-		
Adjustment via slotted head screw										
GRLA-...-PK-...-LF-C GRLZ-...-PK-...-LF-C GRLO-...-PK-...-LF-C	M5	■	-	-	-	-	-	PU/PL/PP (standard I.D.)	-	2 / 5.6-49
GRGA-...-PK-...-LF-C GRGZ-...-PK-...-LF-C GRGO-...-PK-...-LF-C	M5	■	-	-	-	-	-		-	
Adjustment via slotted head screw										
CRGRLA-...-B	M5	Dependent on fitting						-	2 / 5.6-52	
	G1/8							-		
	G1/4							-		
	G3/8							-		
	G1/2							-		

1) Tubing → Volume 3

Flow control and one-way flow control valves

Product range overview

Function	Version	Type	Material	Flow rate characteristic ¹⁾	Flow control direction		
					Exhaust air	Supply air	Both
					A	Z	O
Inline flow control valve with QS push-in fitting 	Adjustment via knurled screw						
	GR-QS-...	Polymer	Medium flow	■	■	-	
	GR-QS-...-LF		Low flow	■	■	-	
	GRO-QS-...		Medium flow	-	-	■	
Inline flow control valve with female thread connection 	Adjustment via knurled screw						
	GR-...-B	Metal	Medium flow	■	■	-	
	GRA-...-B			■	■	-	
				■	■	-	
				■	■	-	
				■	■	-	
				■	■	-	
	■			■	-		
Flow control/silencer combinations, threaded design  	Adjustment via slotted head screw, directly screwed into valve						
	GRE-...	Metal	Medium flow	■	-	-	
				■	-	-	
				■	-	-	
				■	-	-	
	GRU-...	Polymer	High flow	■	-	-	
				■	-	-	
				■	-	-	
	■			-	-		
Standard flow control valve with barbed fitting connection PK, frame assembly 	Adjustment via knurled screw						
	GRF-PK-3-...	Metal	Low flow	■	■	-	
Precision flow control valve with barbed fitting connection PK 	Adjustment via rotary knob						
	GRP-...-PK-... GRPO-...-PK-...	Polymer	Low flow	■	■	■	
Precision flow control valve on sub-base 	Adjustment via rotary knob						
	GRP-...-1/8-AL GRPO-...-1/8-AL	Polymer	Low flow	■	■	■	
Functional combination with one-way flow control valve and piloted non-return valve 	Adjustment via slotted head screw						
	GRXA-HG-...-QS-...	Metal	High flow	■	-	-	
One-way flow control valve with 5 selectable flow control ranges 	Precision adjustment via internal hex and setting of the ranges using a rotary switch						
	GRLSA-1/8-QS-6	Metal	Low flow	■	-	-	

1) Low flow: Precision adjustment for low speed
 Medium flow: Precision adjustment for medium speed
 High flow: Precision adjustment for high speed

Flow control and one-way flow control valves

Product range overview

FESTO

Type	Pneumatic connection								Free of copper, PTFE and silicone	→ Page
	Thread	Tubing Ø [mm]						Tubing type ¹⁾		
		3	4	6	8	10	12			
Adjustment via knurled screw										
GR-QS-...	-	■	■	■	■	-	-	PUN/PAN/PLN/PFAN (standard O.D.)	-	2 / 5.6-55
GR-QS-...-LF	-	-	■	■	-	-	-		-	
GRO-QS-...	-	■	■	■	-	-	-		-	
Adjustment via knurled screw										
GR-...-B	M3	Dependent on fitting							-	2 / 5.6-59
GRA-...-B	M5								-	
	G1/8								-	
	G1/4								-	
	G3/8								-	
	G1/2								-	
	G3/4								-	
Adjustment via slotted head screw, directly screwed into valve										
GRE-...	G1/8	-	-	-	-	-	-	-	-	2 / 5.6-63
	G1/4								-	
	G3/8								-	
	G1/2								-	
GRU-...	G1/8	-	-	-	-	-	-	-	-	2 / 5.6-63
	G1/4								-	
	G3/8								-	
	G1/2								-	
	G3/4	-								
Adjustment via knurled screw										
GRF-PK-3-...	-	■	-	-	-	-	-	PU/PL/PP (standard I.D.)	-	2 / 5.6-66
Adjustment via rotary knob										
GRP-...-PK-...	-	■	■	-	-	-	-	PU/PL/PP (standard I.D.)	-	2 / 5.6-72
GRPO-...-PK-...										
GRP-...-1/8-AL	G1/8	-	-	-	-	-	-	-	-	2 / 5.6-68
GRPO-...-1/8-AL										
Adjustment via slotted head screw										
GRXA-HG-...-QS-...	G1/8	-	■	■	-	-	-	PUN/PAN/PLN/PFAN (standard O.D.)	-	2 / 5.6-75
	G1/4	-	-	■	■	-	-		-	
Precision adjustment via internal hex and setting of the ranges using a rotary switch										
GRLSA-1/8-QS-6	G1/8	-	-	■	-	-	-	PUN/PAN/PLN/PFAN (standard O.D.)	-	2 / 5.6-79

1) Tubing → Volume 3

Flow control valves and one-way flow control valves

Type codes



Flow, non-return and regulating valves
Flow control valves and one-way flow control valves

5.6

GRGA - M5 - QS - 3 - RS - LF - C -

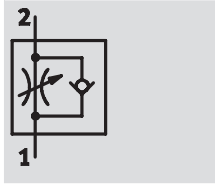
Type	
Swivel joint, elbow outlet	
GRLA	One-way flow control valve for exhaust air
CRGRLA	One-way flow control valve for exhaust air, corrosion-resistant
GRLZ	One-way flow control valve for supply air
GRLO	Flow control valve without non-return function
Swivel joint, parallel	
GRGA	One-way flow control valve for exhaust air
GRGZ	One-way flow control valve for supply air
GRGO	Flow control valve without non-return function
Swivel joint, freely rotatable	
GRXA	One-way flow control valve for exhaust air
Front panel and inline mounting	
GR	One-way flow control valve
GRA	One-way flow control valve
GRO	Flow control valve without non-return function
Screw-in and connecting thread	
M3	Metric thread M3
M5	Metric thread M5
1/8	Pipe thread G1/8
1/4	Pipe thread G1/4
3/8	Pipe thread G3/8
1/2	Pipe thread G1/2
3/4	Pipe thread G3/4
Tubing connection	
Type of connection	
QS	Push-in connector for standard O.D. tubing
PK	Barbed fitting connector for standard I.D. tubing
For tubing O.D. or tubing I.D.	
3	3 mm
4	4 mm
6	6 mm
8	8 mm
10	10 mm
Setting component	
RS	Knurled screw
	Slotted head screw
Flow rate characteristic	
LF, MF	Low flow, medium flow
Generation	
	Series A
B	Series B
C	Series C
D ¹⁾	Series D
Material note	
CT ¹⁾	Free of copper, PTFE and silicone

1) The series D is entirely free of copper and PTFE and thus does not have an additional CT note in the type code

Flow control valves and one-way flow control valves

Technical data – Standard flow control valve with QS push-in connector, series D

Function

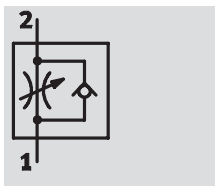


One-way flow control valve for exhaust air
GRLA/GRXA

- Low flow: Precision adjustment for low speed
- QS push-in connector
- Swivel joint rotatable 360° after installation

Variants:

- Adjustment with slotted head or knurled screw
- Swivel joint, elbow outlet
- Swivel joint, parallel outlet



One-way flow control valve for supply air
GRLZ

General technical data							
Screw-in thread		M5	G1/8	G1/4	G3/8	G1/2	
Valve function	GRLA/GRXA	One-way flow control function for exhaust air					
	GRLZ	One-way flow control function for supply air					
Setting component	Slotted head or knurled screw						
Type of mounting	Can be screwed in						
Assembly position	Any						
Special features	GRLA/GRLZ	Freely rotatable around the screw-in axis after installation					
	GRXA	Swivel joint, freely rotatable					
Max. tightening torque	GRL...-D	[Nm]	1.5	5.5	11	20	40

Operating and environmental conditions						
Screw-in thread		M5	G1/8	G1/4	G3/8	G1/2
Operating medium	Dried air, lubricated or unlubricated, grade of filtration 40µm					
Operating pressure	[bar]	0.2 ... 10				
Storage temperature	[°C]	-10 ... +40				
Ambient temperature	[°C]	-10 ... +60				
Temperature of medium	[°C]	-10 ... +60				

Weights [g]						
Screw-in thread		M5	G1/8	G1/4	G3/8	G1/2
	GRL...-D	13	22	42	60	106
	GRXA...-D	-	16	26	47	-
	GRLA...-MF-D	-	32	-	-	-
	GRLA...-RS-D	14	23	30	40	-
	GRLA...-RS-QS...D	-	24	50	72	124
	GRLA...-RS-QS...MF-D	-	40	-	-	-

Flow control valves and one-way flow control valves

Technical data – Standard flow control valve with QS push-in connector, series D



Standard nominal flow rate qnN [l/min] at 6 bar → 5 bar							
Screw-in thread		M5	G $\frac{1}{8}$	G $\frac{1}{4}$	G $\frac{3}{8}$	G $\frac{1}{2}$	
One-way flow control function for exhaust air							
Flow rate characteristic		LF	MF	LF	LF	LF	LF
GRLA-/GRXA- ... -D	QS-3	D ¹⁾	0 ... 100	–	0 ... 130	–	–
		R ²⁾	60 ... 100	–	100 ... 130	–	–
	QS-4	D	0 ... 100	–	0 ... 160	–	–
		R	65 ... 110	–	120 ... 190	–	–
	QS-6	D	0 ... 115	0 ... 400	0 ... 185	0 ... 400	0 ... 495
		R	70 ... 110	290 ... 420	160 ... 240	290 ... 420	320 ... 495
	QS-8	D	–	0 ... 475	0 ... 215	0 ... 475	0 ... 820
		R	–	325 ... 500	175 ... 250	325 ... 500	450 ... 850
	QS-10	D	–	–	–	0 ... 480	0 ... 900
		R	–	–	–	345 ... 500	540 ... 975
	QS-12	D	–	–	–	–	0 ... 1,580
		R	–	–	–	–	925 ... 1,605
One-way flow control function for supply air							
GRLZ-...-D	QS-3	D	0 ... 100	–	0 ... 130	–	–
		R	60 ... 100	–	100 ... 130	–	–
	QS-4	D	0 ... 100	–	0 ... 160	–	–
		R	65 ... 110	–	120 ... 190	–	–
	QS-6	D	0 ... 115	–	0 ... 185	–	–
		R	70 ... 110	–	160 ... 240	–	–
	QS-8	D	–	–	0 ... 215	–	–
		R	–	–	175 ... 250	–	–

- 1) D: Flow control direction
2) R: Non-return direction

Standard flow rate qn [l/min] at 6 bar → 0 bar							
Screw-in thread		M5	G $\frac{1}{8}$	G $\frac{1}{4}$	G $\frac{3}{8}$	G $\frac{1}{2}$	
One-way flow control function for exhaust air							
Flow rate characteristic		LF	MF	LF	LF	LF	LF
GRLA-/GRXA- ... -D	QS-3	D ¹⁾	0 ... 145	–	0 ... 180	–	–
		R ²⁾	150 ... 170	–	200 ... 220	–	–
	QS-4	D	0 ... 165	–	0 ... 250	–	–
		R	140 ... 160	–	270 ... 300	–	–
	QS-6	D	0 ... 185	0 ... 600	0 ... 370	0 ... 600	0 ... 740
		R	145 ... 170	570 ... 680	330 ... 390	570 ... 680	840 ... 890
	QS-8	D	–	0 ... 720	0 ... 400	0 ... 720	0 ... 1,300
		R	–	610 ... 760	330 ... 410	610 ... 760	1,080 ... 1,420
	QS-10	D	–	–	–	0 ... 760	0 ... 1,400
		R	–	–	–	630 ... 790	1,160 ... 1,620
	QS-12	D	–	–	–	–	0 ... 2,220
		R	–	–	–	–	1,910 ... 2,500
One-way flow control function for supply air							
GRLZ-...-D	QS-3	D	0 ... 135	–	0 ... 200	–	–
		R	130 ... 160	–	180 ... 200	–	–
	QS-4	D	0 ... 160	–	0 ... 300	–	–
		R	150 ... 180	–	260 ... 290	–	–
	QS-6	D	0 ... 170	–	0 ... 340	–	–
		R	160 ... 200	–	390 ... 460	–	–
	QS-8	D	–	–	0 ... 370	–	–
		R	–	–	390 ... 470	–	–

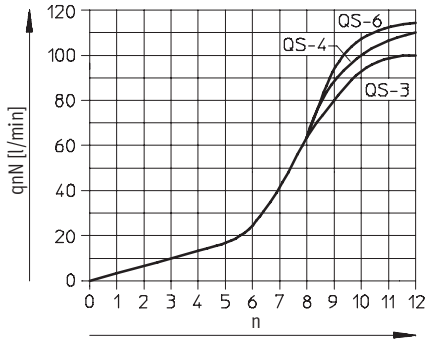
- 1) D: Flow control direction
2) R: Non-return direction

Flow control valves and one-way flow control valves

Technical data – Standard flow control valve with QS push-in connector, series D

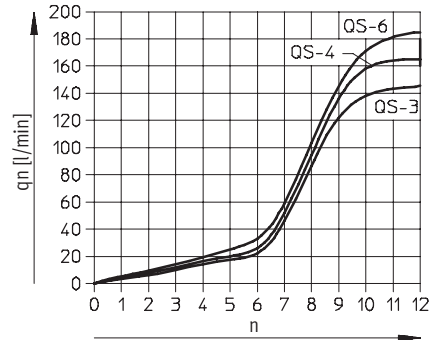
Standard nominal flow rate q_{nN} [l/min] at 6 bar \rightarrow 5 bar as a function of turns of the adjusting screw n

Screw-in thread M5

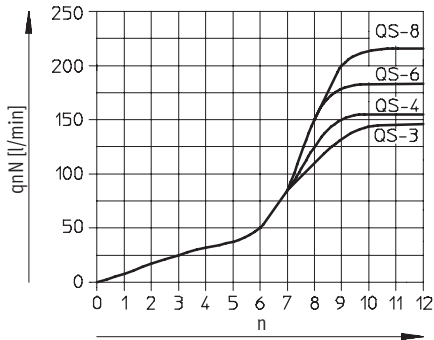


Standard flow rate q_n at 6 bar \rightarrow 0 bar as a function of turns of the adjusting screw n

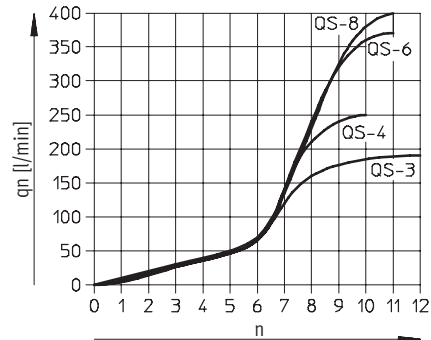
Screw-in thread M5



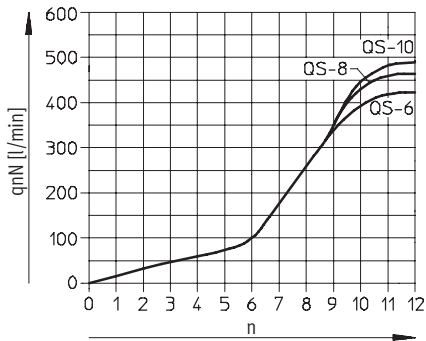
Screw-in thread G1/8



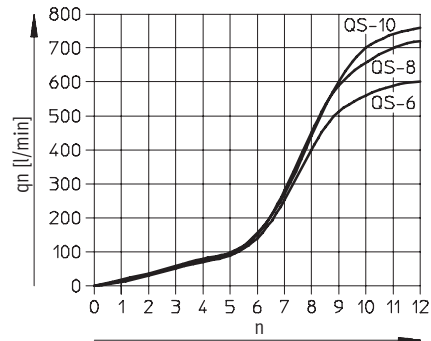
Screw-in thread G1/8



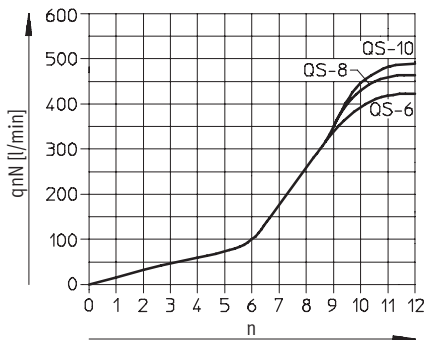
Screw-in thread G1/8 with flow rate MF



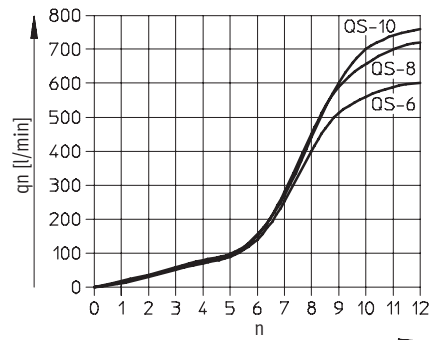
Screw-in thread G1/8 with flow rate MF



Screw-in thread G1/4



Screw-in thread G1/4



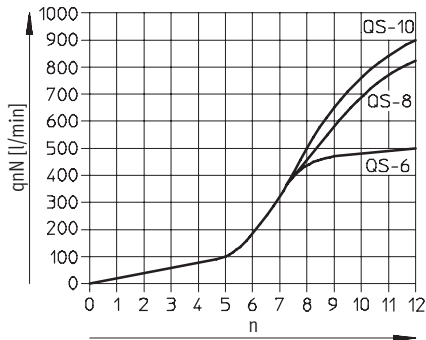
Flow control valves and one-way flow control valves

Technical data – Standard flow control valve with QS push-in connector, series D



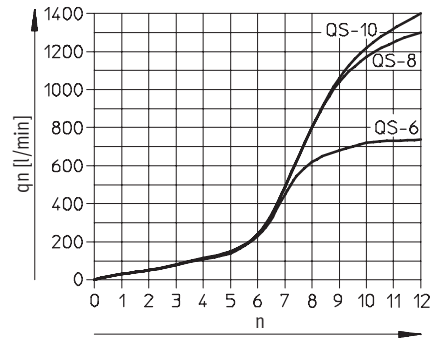
Standard nominal flow rate q_{nN} [l/min] at 6 bar \rightarrow 5 bar as a function of turns of the adjusting screw n

Screw-in thread G $\frac{3}{8}$

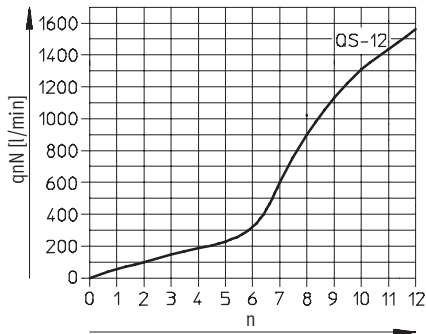


Standard flow rate q_n at 6 bar \rightarrow 0 bar as a function of turns of the adjusting screw n

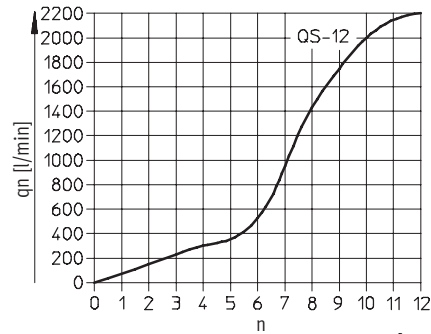
Screw-in thread G $\frac{3}{8}$



Screw-in thread G $\frac{1}{2}$

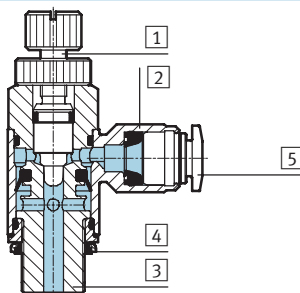


Screw-in thread G $\frac{1}{2}$



Materials

Sectional view

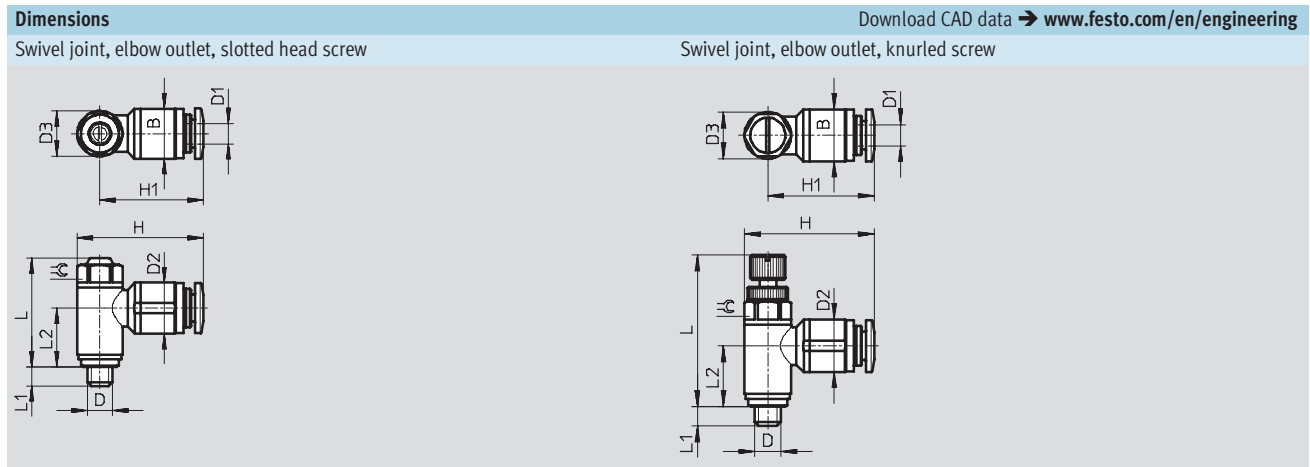


Flow control valve	
1	Regulating screw Stainless steel
2	Swivel joint Die-cast zinc
3	Threaded collar Wrought aluminium alloy (M5: nickel-plated brass)
4	Seal Nitrile rubber
5	Release ring Polyacetal
Material note Free of copper, PTFE and silicone	

Flow control valves and one-way flow control valves



Technical data – Standard flow control valve with QS push-in connector, series D



Screw-in thread D	Tubing O.D. D1	B	D2 Ø	D3 Ø	H	H1	L max.	L1	L2	⊖
Swivel joint, elbow outlet, slotted head screw										
M5	3	8.9	8.2 +0.15	8.9 ±0.07	22.4	18	21.4	3.7 +0.17/-0.25	11.65	8
	4	9.9	10.0 ±0.2		24.7	20.3			10.65	
	6	12	12.0 ±0.2		26.5	22			10.65	
G $\frac{1}{8}$	3	13.8	10.2 ±0.2	13.8 ±0.07	31.9	25	26.9	5.1 +0.17/-0.25	14.4	12
	4		10.2 ±0.2		29.4	22.5			13.7	
	6		12.5 ±0.2		32.6	25.7			13.7	
	8		14.5 ±0.2		35.6	28.7			13.7	
G $\frac{1}{8}$ (MF)	6	17.8	12.5 ±0.2	17.8 ±0.15	36.6	27.7	31.5	5.9 +0.17/-0.25	17.2	15
	8		14.5 ±0.2		39.6	30.7			17.2	
G $\frac{1}{4}$	6	17.8	12.5 ±0.2	17.8 ±0.15	36.6	27.7	31.5	5.9 +0.17/-0.25	16.1	15
	8		14.5 ±0.2		42.0	30.7			16.1	
	10		17.5 ±0.2		42.0	33.1			16.1	
G $\frac{3}{8}$	6	22.4	12.5 ±0.2	22.4 ±0.15	39.8	28.6	36.0	6.95 +0.15/-0.3	20.3	19
	8		14.5 ±0.2		44.1	32.9			19.3	
	10		17.5 ±0.2		46.7	35.5			19.3	
G $\frac{1}{2}$	12	27.8	20.5 ±0.15	27.8 ±0.15	55.3	41.4	42.3	8.15 +0.15/-0.3	23.0	24
Swivel joint, elbow outlet, knurled screw										
M5	3	8.9	8.2 +0.15	8.9 ±0.07	22.4	18	31.3	3.7 +0.17/-0.25	11.65	8
	4	9.9	10.0 ±0.2		24.7	20.3			11.65	
	6	12	12.0 ±0.2		26.5	22			10.65	
G $\frac{1}{8}$	3	13.8	10.2 ±0.2	13.8 ±0.07	31.9	25	40.4	5.1 +0.17/-0.25	14.4	12
	4		10.2 ±0.2		29.4	22.5			14.4	
	6		12.5 ±0.2		32.6	25.7			13.7	
G $\frac{1}{8}$ (MF)	6	13.8	12.5 ±0.2	17.8 ±0.15	36.6	27.7	48	5.1 +0.17/-0.25	17.2	15
	8		14.5 ±0.2		39.6	30.7			17.2	
G $\frac{1}{4}$	6	17.8	12.5 ±0.2	17.8 ±0.15	36.6	27.7	48.3	5.9 +0.17/-0.25	16.1	15
	8		14.5 ±0.2		42.0	30.7			16.1	
	10		17.5 ±0.2		42.0	33.1			16.1	
G $\frac{3}{8}$	6	22.4	12.5 ±0.2	22.4 ±0.15	39.8	28.6	55.3	6.95 +0.15/-0.3	20.3	19
	8		14.5 ±0.2		44.1	32.9			19.3	
	10		17.5 ±0.2		46.7	35.5			19.3	
G $\frac{1}{2}$	12	27.8	20.5 ±0.15	27.8 ±0.15	55.3	41.4	65.7	8.15 +0.15/-0.3	23.0	24

Flow, non-return and regulating valves
Flow control valves and one-way flow control valves

5.6

Flow control valves and one-way flow control valves

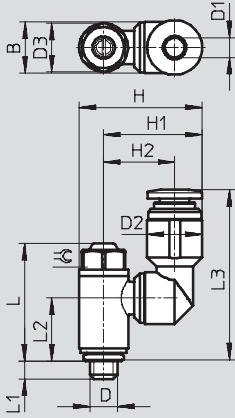
Technical data – Standard flow control valve with QS push-in connector, series D



Dimensions

Download CAD data → www.festo.com/en/engineering

Swivel joint, outlet parallel and rotatable, slotted head screw






Screw-in thread D	Tubing O.D. D1	B	D2 ∅ +0.15/-0.1	D3 ∅	H	H1	H2	L	L1	L2	L3	⊖
M5	3	8.9	8.2	8.9 ±0.07	20.7	16.25	12.15	21.4	3.6	11.5	29.6	8
	4	9.9	10		22.4	17.95	12.95	21.4	3.6	11.5	31.3	8
	6	12	12.2		24.7	20.25	14.15	21.4	3.6	11.5	33	8
G $\frac{1}{8}$	3	13.8	10.2	13.8 ±0.07	27.6	20.7	15.6	26.9	4.9	14.1	37	12
	4		10.2		27.6	20.7	15.6	26.9	4.9	14.1	34.5	12
	6		12.2		29.6	22.7	16.6	26.9	4.9	14.1	36.7	12
	8		14.2		31.6	24.7	17.6	26.9	4.9	14.1	38.9	12
G $\frac{1}{4}$	6	17.8	12.2	17.8 ±0.15	33.6	24.7	18.6	31.5	5.7	17.5	40.1	15
	8		14.2		35.6	26.7	19.6	31.5	5.7	17.5	42.3	15
	10		17.5		38.9	30	21.25	31.5	5.7	17.5	44.3	15

Flow control valves and one-way flow control valves

FESTO

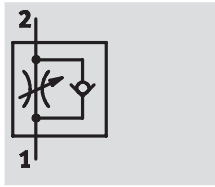
Technical data – Standard flow control valve with QS push-in connector, series D

Ordering data							
Design	Screw-in thread	For tubing O.D. [mm]	Flow	One-way flow control function for exhaust air		One-way flow control function for supply air	
				Part No.	Type	Part No.	Type
Swivel joint, elbow outlet, slotted head screw							
	M5	3	LF	193 137	GRLA-M5-QS-3-D	193 153	GRLZ-M5-QS-3-D
		4	LF	193 138	GRLA-M5-QS-4-D	193 154	GRLZ-M5-QS-4-D
		6	LF	193 139	GRLA-M5-QS-6-D	193 155	GRLZ-M5-QS-6-D
	G1/8	3	LF	193 142	GRLA-1/8-QS-3-D	193 156	GRLZ-1/8-QS-3-D
		4	LF	193 143	GRLA-1/8-QS-4-D	193 157	GRLZ-1/8-QS-4-D
		6	LF	193 144	GRLA-1/8-QS-6-D	193 158	GRLZ-1/8-QS-6-D
		6	MF	537 075	GRLA-1/8-QS-6-MF-D	–	–
		8	LF	193 145	GRLA-1/8-QS-8-D	193 159	GRLZ-1/8-QS-8-D
		8	MF	537 076	GRLA-1/8-QS-8-MF-D	–	–
	G1/4	6	LF	193 146	GRLA-1/4-QS-6-D	–	–
		8	LF	193 147	GRLA-1/4-QS-8-D	–	–
		10	LF	193 148	GRLA-1/4-QS-10-D	–	–
	G3/8	6	LF	193 149	GRLA-3/8-QS-6-D	–	–
		8	LF	193 150	GRLA-3/8-QS-8-D	–	–
		10	LF	193 151	GRLA-3/8-QS-10-D	–	–
G1/2	12	LF	193 152	GRLA-1/2-QS-12-D	–	–	
Swivel joint, elbow outlet, knurled screw							
	M5	3	LF	197 576	GRLA-M5-QS-3-RS-D	–	–
		4	LF	197 577	GRLA-M5-QS-4-RS-D	–	–
		6	LF	197 578	GRLA-M5-QS-6-RS-D	–	–
	G1/8	3	LF	197 579	GRLA-1/8-QS-3-RS-D	–	–
		4	LF	197 580	GRLA-1/8-QS-4-RS-D	–	–
		6	LF	197 581	GRLA-1/8-QS-6-RS-D	–	–
		6	MF	537 072	GRLA-1/8-QS-6-RS-MF-D	–	–
		8	LF	534 337	GRLA-1/8-QS-8-RS-D	–	–
		8	MF	537 073	GRLA-1/8-QS-8-RS-MF-D	–	–
	G1/4	6	LF	534 338	GRLA-1/4-QS-6-RS-D	–	–
		8	LF	534 339	GRLA-1/4-QS-8-RS-D	–	–
		10	LF	534 340	GRLA-1/4-QS-10-RS-D	–	–
	G3/8	6	LF	534 341	GRLA-3/8-QS-6-RS-D	–	–
		8	LF	534 342	GRLA-3/8-QS-8-RS-D	–	–
		10	LF	534 343	GRLA-3/8-QS-10-RS-D	–	–
G1/2	12	LF	534 344	GRLA-3/8-QS-12-RS-D	–	–	
Swivel joint, outlet parallel and rotatable, slotted head screw							
	M5	3	LF	195 806	GRXA-M5-QS-3-D	–	–
		4	LF	195 807	GRXA-M5-QS-4-D	–	–
		6	LF	195 808	GRXA-M5-QS-6-D	–	–
	G1/8	3	LF	195 809	GRXA-1/8-QS-3-D	–	–
		4	LF	195 810	GRXA-1/8-QS-4-D	–	–
		6	LF	195 811	GRXA-1/8-QS-6-D	–	–
		8	LF	195 812	GRXA-1/8-QS-8-D	–	–
	G1/4	6	LF	195 813	GRXA-1/4-QS-6-D	–	–
		8	LF	195 814	GRXA-1/4-QS-8-D	–	–
		10	LF	195 815	GRXA-1/4-QS-10-D	–	–

Flow control and one-way flow control valves

Technical data – Standard flow control valve with QS push-in connector, D series

Function



One-way flow control valve
GRLA-F

D series:

- QS push-in connector
- Swivel joint rotatable 360° after installation
- Adjustment via slotted head screw
- Surfaces nickel and chrome plated
- Temperature ranges
0 ... +150 °C



GRLA-F...-QS-...-D

General technical data		
Screw-in thread	G1/8	G1/4
Valve function	One-way flow control function for exhaust air	
Adjustment component	Slotted head screw	
Type of actuation	Manual	
Type of mounting	Screw-in	
Installation position	Any	
Special features	Freely rotatable around the screw-in axis after installation	
Max. tightening torque	[Nm] 5.5	11

Operating and environmental conditions		
Screw-in thread	G1/8	G1/4
Operating medium	Filtered compressed air, lubricated or unlubricated, grade of filtration 40 µm	
Operating pressure	[bar] 0.2 ... 10	
Storage temperature	[°C] -10 ... +150	
Ambient temperature	[°C] 0 ... +150	
Temperature of medium	[°C] 0 ... +150	
Corrosion resistance class CRC	3 ¹⁾	

1) Corrosion resistance class 3 to Festo standard 940 070
Components requiring higher corrosion resistance. External visible parts in direct contact with industrial atmospheres or media such as solvents and cleaning agents, with a predominantly functional requirement for the surface.

Weight [g]					
Screw-in thread/QS push-in connector	G1/8/4	G1/8/6	G1/8/8	G1/4/6	G1/4/8
GRLA-F	25	25	25	37	37

Flow control and one-way flow control valves

Technical data – Standard flow control valve with QS push-in connector, D series

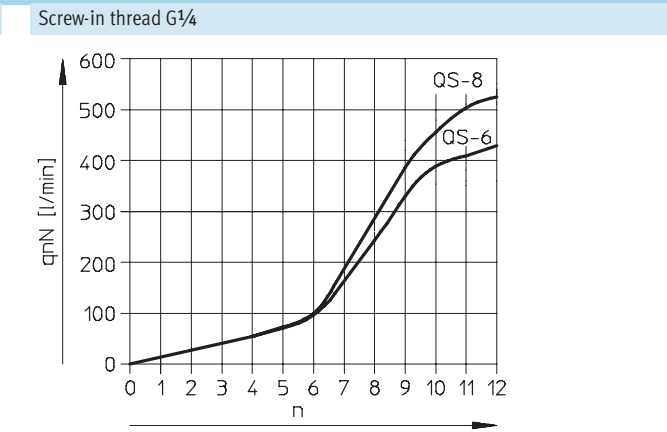
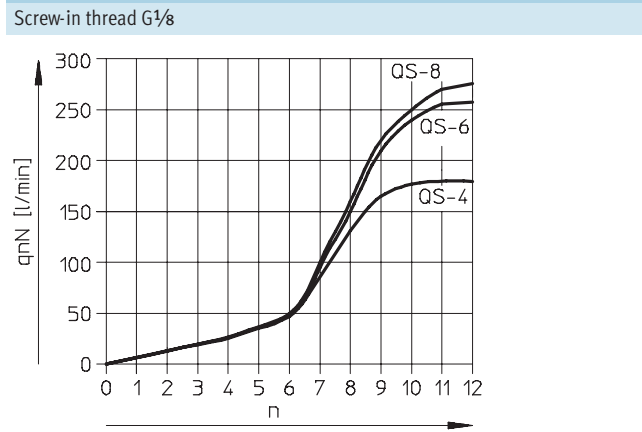
Standard nominal flow rate q_{nN} [l/min] at 6 bar → 5 bar				
Screw-in thread		G $\frac{1}{8}$	G $\frac{1}{4}$	
One-way flow control function for exhaust air				
GRLA-F... -D	QS-4	D ¹⁾	0 ... 180	–
		R ²⁾	103 ... 188	–
	QS-6	D	0 ... 255	0 ... 430
		R	111 ... 280	384 ... 478
	QS-8	D	0 ... 275	0 ... 530
		R	132 ... 307	402 ... 578

- 1) D: Flow control direction
- 2) R: Non-return direction

Standard flow rate q_n [l/min] at 6 bar → 0 bar				
Screw-in thread		G $\frac{1}{8}$	G $\frac{1}{4}$	
One-way flow control function for exhaust air				
GRLA-F... -D	QS-4	D ¹⁾	250	–
		R ²⁾	270 ... 300	–
	QS-6	D	370	600
		R	330 ... 390	570 ... 680
	QS-8	D	400	720
		R	330 ... 410	610 ... 760

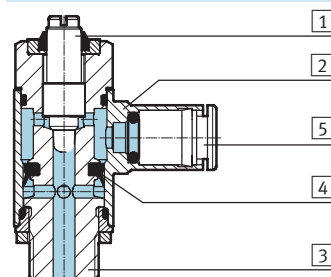
- 1) D: Flow control direction
- 2) R: Non-return direction

Standard nominal flow rate q_{nN} at 6 bar → 5 bar as a function of turns of the adjusting screw n



Materials

Sectional view



One-way flow control valve		
1	Regulating screw	High-alloy stainless steel
2	Swivel joint	Nickel and chrome plated brass
3	Hollow bolt	Wrought aluminium alloy
4	Seal	Fluorocarbon rubber
5	Release ring	Nickel and chrome plated brass
–		Free of copper and PTFE

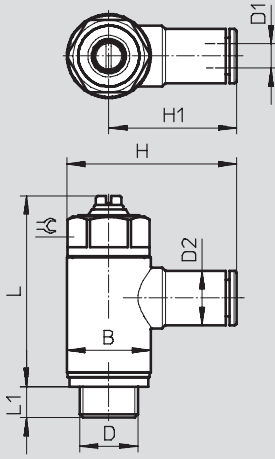
Flow control and one-way flow control valves

Technical data – Standard flow control valve with QS push-in connector, D series

Dimensions


Download CAD data → www.festo.com/en/engineering

Swivel joint, elbow outlet, slotted head screw



Screw-in thread D	Tubing outer Ø D1	D2 Ø	B	H	H1	L max.	L1	⌀
G ¹ / ₈	4	9	13.8	28.0	21.1	31.6	5.2	12
	6	11		31.0	24.1			
	8	13		31.9	25.0			
G ¹ / ₄	6	11	17.8	35.1	26.2	34.9	5.9	15
	8	13		35.9	27.0			

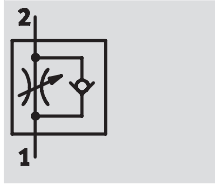
Ordering data

Constructional design	Screw-in thread	For tubing O.D. [mm]	One-way flow control function for exhaust air	
			Part No.	Type
Swivel joint, elbow outlet, slotted head screw				
	G ¹ / ₈	4	195 597	GRLA-F- ¹ / ₈ -QS-4-D
		6	195 598	GRLA-F- ¹ / ₈ -QS-6-D
		8	195 599	GRLA-F- ¹ / ₈ -QS-8-D
	G ¹ / ₄	6	195 600	GRLA-F- ¹ / ₄ -QS-6-D
		8	195 601	GRLA-F- ¹ / ₄ -QS-8-D

Flow control valves and one-way flow control valves

Technical data – Standard flow control valve with QS push-in connector, series B

Function



One-way flow control valve
for exhaust air
GRLA

Series B:

- High flow: Precision adjustment for high speed
- QS push-in connector
- Swivel joint rotatable 360° after installation
- Adjustment via knurled screw



General technical data			
Screw-in thread	G1/8	G1/4	G3/8
Valve function	One-way flow control function for exhaust air		
Setting component	Knurled screw		
Type of mounting	Can be screwed in		
Assembly position	Any		
Special features	Freely rotatable around the screw-in axis after installation		
Max. tightening torque [Nm]	4	11	40
Permissible actuation torque for the regulating screw [Nm]	0.4		

Operating and environmental conditions			
Screw-in thread	G1/8	G1/4	G3/8
Operating medium	Filtered compressed air, lubricated or unlubricated, grade of filtration 40µm		
Operating pressure [bar]	0.2 ... 10		
Ambient temperature [°C]	-10 ... +60		
Temperature of medium [°C]	-10 ... +60		

Weights [g]			
Screw-in thread	G1/8	G1/4	G3/8
GRLA	25	30	40

Flow control valves and one-way flow control valves

Technical data – Standard flow control valve with QS push-in connector, series B



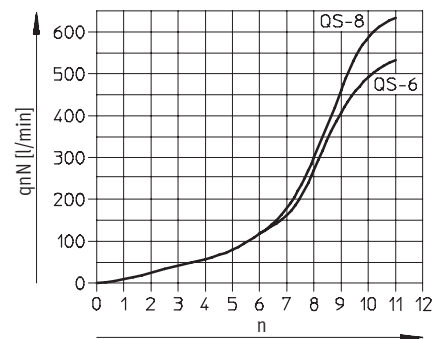
Standard nominal flow rate q_{nN} [l/min] at 6 bar \rightarrow 5 bar					
Screw-in thread		$G\frac{1}{8}$	$G\frac{1}{4}$	$G\frac{3}{8}$	
One-way flow control function for exhaust air					
GRLA	QS-6	D ¹⁾	0 ... 520	0 ... 520	0 ... 530
		R ²⁾	400 ... 550	400 ... 550	400 ... 550
	QS-8	D	0 ... 650	0 ... 650	0 ... 650
		R	600 ... 750	600 ... 750	600 ... 750

- 1) D: Flow control direction
- 2) R: Non-return direction

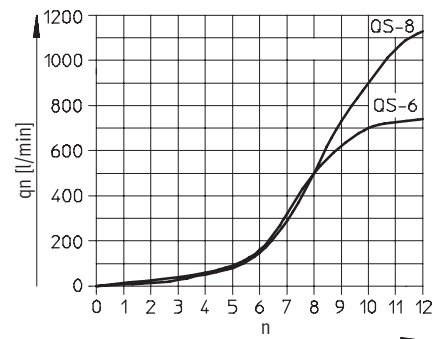
Standard flow rate q_n [l/min] at 6 bar \rightarrow 0 bar					
Screw-in thread		$G\frac{1}{8}$	$G\frac{1}{4}$	$G\frac{3}{8}$	
One-way flow control function for exhaust air					
GRLA	QS-6	D ¹⁾	0 ... 720	0 ... 740	0 ... 740
		R ²⁾	600 ... 750	620 ... 760	620 ... 760
	QS-8	D	0 ... 1,080	0 ... 1,130	0 ... 1,130
		R	800 ... 1,250	900 ... 1,260	900 ... 1,260

- 1) D: Flow control direction
- 2) R: Non-return direction

Standard nominal flow rate q_{nN} at 6 bar \rightarrow 5 bar as a function of turns of the adjusting screw n
Screw-in thread $G\frac{1}{8}$, $G\frac{1}{4}$, $G\frac{3}{8}$

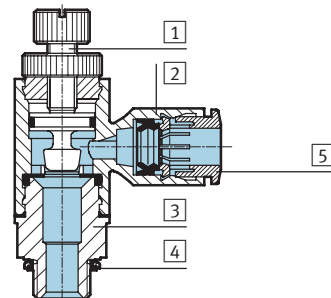


Standard flow rate q_n at 6 bar \rightarrow 0 bar as a function of turns of the adjusting screw n
Screw-in thread $G\frac{1}{8}$, $G\frac{1}{4}$, $G\frac{3}{8}$



Materials

Sectional view



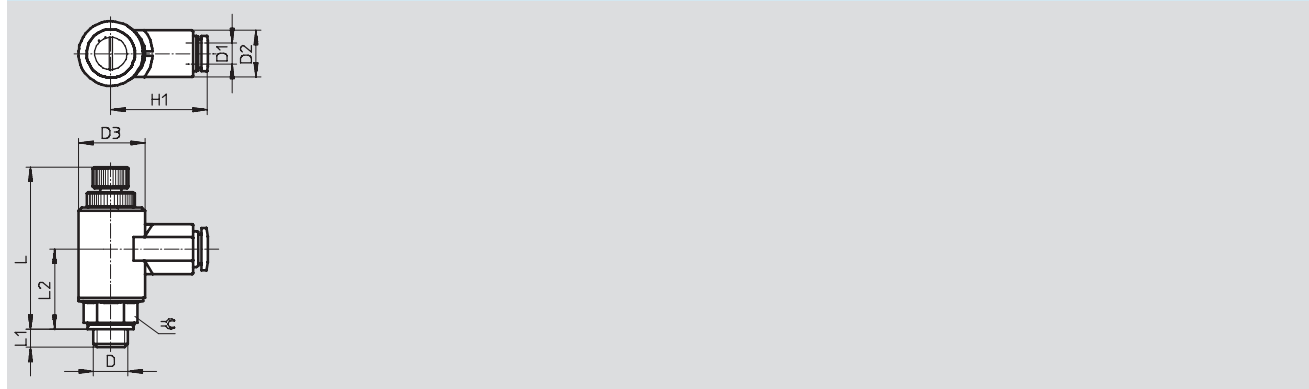
Flow control valve	
1	Regulating screw Brass
2	Swivel joint PBT-reinforced
3	Threaded collar Wrought aluminium alloy
4	Seal Nitrile rubber
5	Release ring Polyacetal

Flow control valves and one-way flow control valves

Technical data – Standard flow control valve with QS push-in connector, series B

Dimensions Download CAD data → www.festo.com/en/engineering

Swivel joint, elbow outlet, knurled screw



Screw-in thread D	Tubing O.D. D1	D2 Ø	D3 Ø -0.1	H1	L max.	L1	L2	⌀
G ¹ / ₈	6	13	17.9	27.2	53	4.7	22.8	13
	8	17		35.4				
G ¹ / ₄	6	13	17.9	27.2	53.6	5.8	22.3	17
	8	17		35.4				
G ³ / ₈	6	13	17.9	27.2	54.6	6	23.1	19
	8	17		35.4				

Ordering data

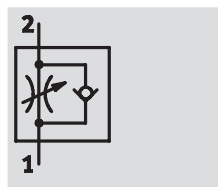
Design	Screw-in thread	For tubing O.D. [mm]	One-way flow control function for exhaust air	
			Part No.	Type
Swivel joint, elbow outlet, knurled screw				
	G ¹ / ₈	6	162 965	GRLA- ¹ / ₈ -QS-6-RS-B
		8	162 966	GRLA- ¹ / ₈ -QS-8-RS-B
	G ¹ / ₄	6	162 967	GRLA- ¹ / ₄ -QS-6-RS-B
		8	162 968	GRLA- ¹ / ₄ -QS-8-RS-B
	G ³ / ₈	6	162 969	GRLA- ³ / ₈ -QS-6-RS-B
		8	162 970	GRLA- ³ / ₈ -QS-8-RS-B

Flow, non-return and regulating valves
Flow control valves and one-way flow control valves

Flow control and non-return valves

Technical data – Standard flow control valve with QS push-in fitting, series B, in bulk packs of 20

Function



One-way flow control valve for exhaust air
GRLA

Series B:

- High flow: Precision adjustment for high speed
- QS push-in fitting
- Rotatable connection, rotatable 360° after installation
- Adjustment via slotted head screw
- Bulk pack of 20 pieces



GRLA...-QS...-B-20

General technical data		
Screw-in thread	G1/8	G1/4
Valve function	One-way flow control function for exhaust air	
Setting component	Slotted head screw	
Type of mounting	Threaded	
Assembly position	Any	
Special features	Freely rotatable around the screw-in axis after installation	
Max. tightening torque [Nm]	4	11
Permissible actuation torque for the regulating screw [Nm]	0.4	

Operating and environmental conditions		
Screw-in thread	G1/8	G1/4
Operating medium	Filtered compressed air, lubricated or unlubricated, grade of filtration 40 µm	
Operating pressure [bar]	0.2 ... 10	
Storage temperature [°C]	-10 ... +40	
Ambient temperature [°C]	-10 ... +60	
Temperature of medium [°C]	-10 ... +60	

Flow control and non-return valves

Technical data – Standard flow control valve with QS push-in fitting, series B, bulk packs of 20

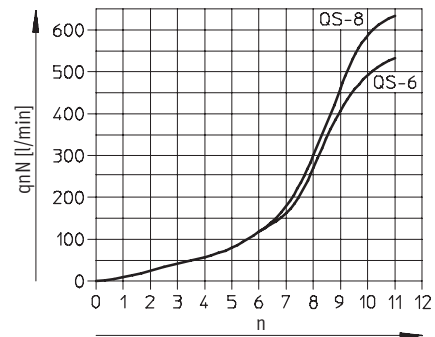
Standard nominal flow rate qnN [l/min] at 6 bar → 5 bar				
Screw-in thread		G1/8	G1/4	
One-way flow control function for exhaust air				
GRLA	QS-6	D ¹⁾	0 ... 520	–
		R ²⁾	400 ... 550	–
	QS-8	D	0 ... 650	0 ... 650
		R	600 ... 750	600 ... 750

- 1) D: Flow control direction
- 2) R: Non-return direction

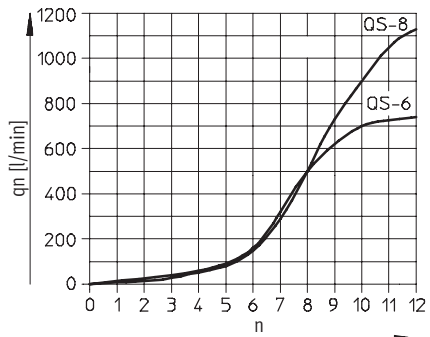
Standard flow rate qn [l/min] at 6 bar → 0 bar				
Screw-in thread		G1/8	G1/4	
One-way flow control function for exhaust air				
GRLA	QS-6	D ¹⁾	0 ... 720	–
		R ²⁾	600 ... 750	–
	QS-8	D	0 ... 1,080	0 ... 1,130
		R	800 ... 1,250	900 ... 1,260

- 1) D: Flow control direction
- 2) R: Non-return direction

Standard nominal flow rate qnN at 6 bar → 5 bar as a function of turns of the adjusting screw n
Screw-in thread G1/8, G1/4

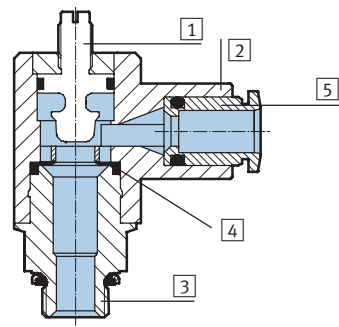


Standard flow rate qn at 6 bar → 0 bar as a function of turns of the adjusting screw n
Screw-in thread G1/8, G1/4



Materials

Sectional view



Flow control valve		
1	Regulating screw	Brass
2	Rotatable connection	Polybutylene terephthalate, reinforced
3	Threaded spigot	Wrought aluminium alloy
4	Seal	Nitrile rubber
5	Release ring	Polyacetate

Flow control and non-return valves

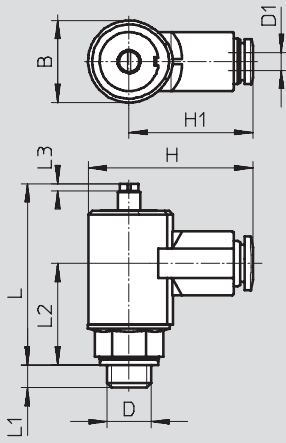
Technical data – Standard flow control valve with QS push-in fitting, series B, bulk packs of 20



Dimensions

Download CAD data → www.festo.com/en/engineering

Rotatable connection, elbow outlet, slotted head screw



Screw-in thread D	Tubing O.D. D1	B Ø -0.1	H	H1	L max.	L1	L2
G ¹ / ₈	6	17.9	36.2	27.2	40.1	4.7	22.8
	8		44.4	35.4			
G ¹ / ₄	8				39.6	5.8	22.8

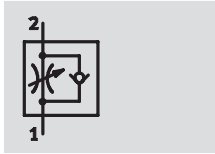
Ordering data Bulk packs of 20

Design	Screw-in thread	For tubing O.D. [mm]	One-way flow control function for exhaust air Part No. Type
Rotatable connection, elbow outlet, slotted head screw			
	G ¹ / ₈	6	540 358 GRLA- ¹ / ₈ -QS-6-B-20
		8	540 359 GRLA- ¹ / ₈ -QS-8-B-20
	G ¹ / ₄	8	540 360 GRLA- ¹ / ₄ -QS-8-B-20

Flow control valves and one-way flow control valves

Technical data – Mini flow control valve with QS push-in connector

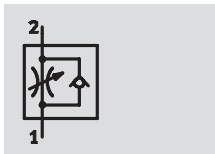
Function



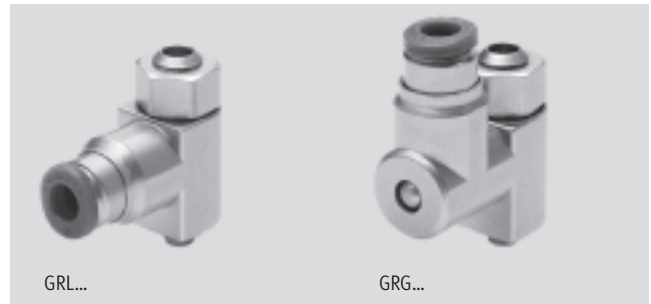
One-way flow control for exhaust air
GRLA/GRGA



Flow control acting at both sides
GRLO/GRGO



One-way flow control for supply air
GRLZ/GRGZ



- Low flow: Precision adjustment for low speed
- QS push-in connector
- Adjustment with slotted head screw

- Variants:
- Swivel joint, elbow outlet
 - Swivel joint, parallel outlet

General technical data		
Screw-in thread		M3 M5
Valve function	GRLA/GRGA	One-way flow control function for exhaust air
	GRLZ/GRGZ	One-way flow control function for supply air
	GRLO/GRGO	Flow control function
Setting component		Slotted head screw
Type of mounting		Threaded
Mounting position		Any
Max. tightening torque	[Nm]	0.3 1.5

Operating and environmental conditions		
Screw-in thread		M3 M5
Operating medium		Compressed air, filtered (to 40µm), lubricated or unlubricated
Operating pressure	GRL.../GRG... [bar]	0.2 ... 10
	GRLO/GRGO [bar]	0 ... 10
Ambient temperature	[°C]	-10 ... +60
Temperature of medium	[°C]	-10 ... +60

Weights [g]		
Screw-in thread		M3 M5
	GRL...	7 9
	GRG...	14 14

Flow control valves and one-way flow control valves

Technical data – Mini flow control valve with QS push-in connector



Standard nominal flow rate qnN [l/min] at 6 bar → 5 bar				
Screw-in thread		M3	M5	
One-way flow control function for exhaust air				
GRLA/GRGA	QS-3	F ¹⁾	0 ... 41	0 ... 40
		N ²⁾	27 ... 50	46 ... 70
	QS-4	F	–	0 ... 40
		N	–	50 ... 75
One-way flow control function for supply air				
GRLZ/GRGZ	QS-3	F	0 ... 41	0 ... 48
		N	27 ... 44	36 ... 52
	QS-4	F	–	0 ... 48
		N	–	40 ... 65
Flow control function, acting at both sides				
GRLO/GRGO	QS-3	F	0 ... 18	0 ... 40
		N	0 ... 41	0 ... 48
	QS-4	F	–	0 ... 40
		N	–	0 ... 48

- 1) F: Flow control direction
2) N: Non-return direction

Standard flow rate qn [l/min] at 6 bar → 0 bar				
Screw-in thread		M3	M5	
One-way flow control function for exhaust air				
GRLA/GRGA	QS-3	F ¹⁾	0 ... 95	0 ... 95
		N ²⁾	75 ... 110	90 ... 130
	QS-4	F	–	0 ... 95
		N	–	95 ... 140
One-way flow control function for supply air				
GRLZ/GRGZ	QS-3	F	0 ... 95	0 ... 105
		N	75 ... 100	80 ... 110
	QS-4	F	–	0 ... 105
		N	–	85 ... 115
Flow control function, acting at both sides				
GRLO/GRGO	QS-3	F	0 ... 50	0 ... 90
		N	0 ... 95	0 ... 105
	QS-4	F	–	0 ... 90
		N	–	0 ... 105

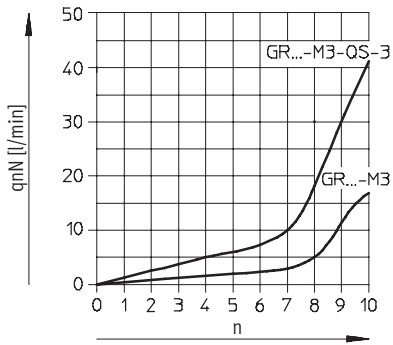
- 1) F: Flow control direction
2) N: Non-return direction

Flow control valves and one-way flow control valves

Technical data – Mini flow control valve with QS push-in connector

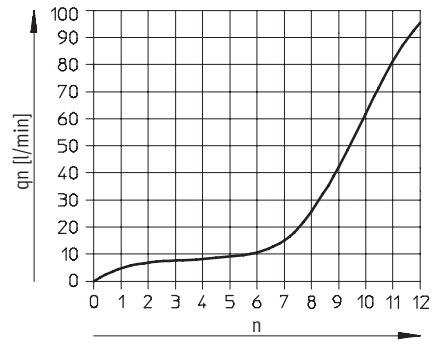
Standard nominal flow rate q_{nN} at 6 bar \rightarrow 5 bar as a function of turns of the adjusting screw n

Screw-in thread M3

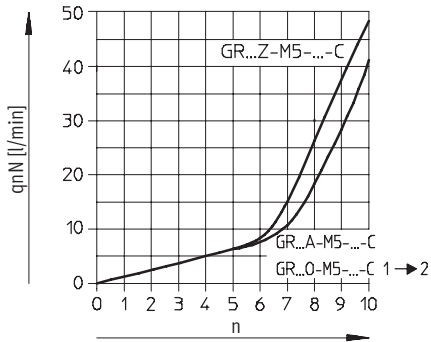


Standard flow rate q_n at 6 bar \rightarrow 0 bar as a function of turns of the adjusting screw n

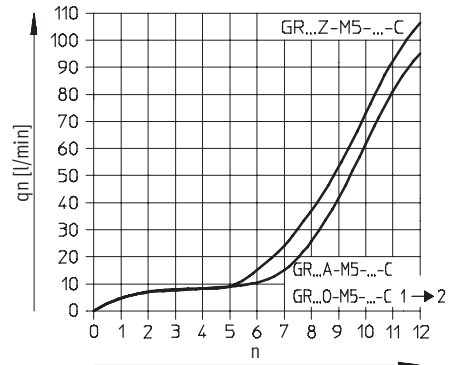
Screw-in thread M3



Screw-in thread M5



Screw-in thread M5



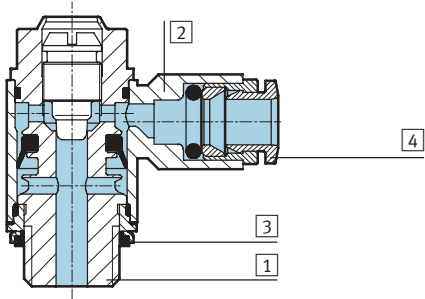
Flow control valves and one-way flow control valves

Technical data – Mini flow control valve with QS push-in connector



Materials

Sectional view

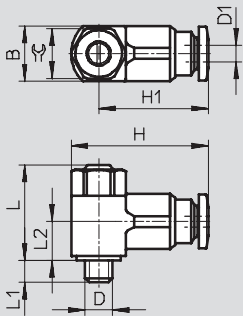


Flow control valve

1	Threaded collar	Brass
2	Swivel joint	Die-cast zinc
3	Seal	Polyamide
4	Release ring	Polyacetal

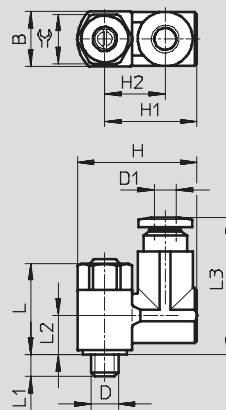
Dimensions GRL...

Swivel joint, elbow outlet, slotted head screw



Dimensions GRG...

Swivel joint, parallel outlet, slotted head screw

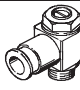



Screw-in thread D	Tubing O.D. D1	B -0.15	H	H1	H2	L	L1	L2	L3	☞
Swivel joint, elbow outlet, slotted head screw										
M3	3	8	20	15.8	-	16.6	2.3 +0.15/-0.3	7	-	7
M5	3	9.8	22.4	18.4	-	17.7	3.1 +0.15/-0.35	7.3	-	7
	4	9.8	22.2	18.2	-	17.7	3.1 +0.15/-0.35	7.3	-	7
Swivel joint, parallel outlet, slotted head screw										
M3	3	8	18	14	9.25	16.6	2.3 +0.15/-0.3	7.5	22	7
M5	3	9.8	19.8	15.8	10	17.7	3.1 +0.15/-0.35	8.3	26.2	7
	4	9.8	19.8	15.8	10	17.7	3.1 +0.15/-0.35	8.3	25.7	7

Flow control valves and one-way flow control valves



Technical data – Mini flow control valve with QS push-in connector

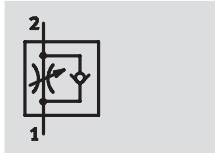
Ordering data								
Design	Screw-in thread	For tubing O.D. [mm]	One-way flow control function for exhaust air		One-way flow control function for supply air		Flow control function acting at both sides	
			Part No.	Type	Part No.	Type	Part No.	Type
QS push-in connector, elbow outlet, slotted head screw								
	M3	3	175 041	GRLA-M3-QS-3	175 043	GRLZ-M3-QS-3	175 042	GRLO-M3-QS-3
	M5	3	175 053	GRLA-M5-QS-3-LF-C	175 055	GRLZ-M5-QS-3-LF-C	175 054	GRLO-M5-QS-3-LF-C
		4	175 056	GRLA-M5-QS-4-LF-C	175 058	GRLZ-M5-QS-4-LF-C	175 057	GRLO-M5-QS-4-LF-C
QS push-in connector, parallel outlet, slotted head screw								
	M3	3	175 044	GRGA-M3-QS-3	175 046	GRGZ-M3-QS-3	175 045	GRGO-M3-QS-3
	M5	3	175 062	GRGA-M5-QS-3-LF-C	175 064	GRGZ-M5-QS-3-LF-C	175 063	GRGO-M5-QS-3-LF-C
		4	175 065	GRGA-M5-QS-4-LF-C	175 067	GRGZ-M5-QS-4-LF-C	175 066	GRGO-M5-QS-4-LF-C

Flow control valves and one-way flow control valves

Technical data – Standard flow control valve with female thread



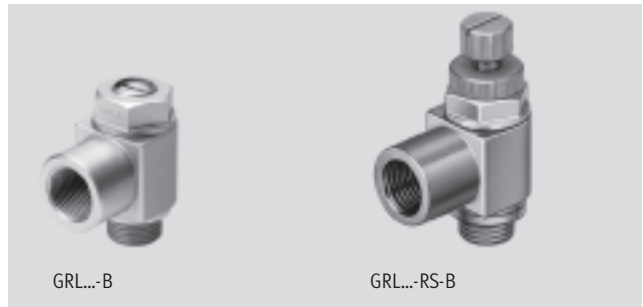
Function



One-way flow control for exhaust air
GRLA

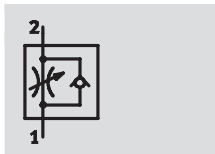


Flow control acting at both sides
GRLO



GRL...-B

GRL...-RS-B



One-way flow control for supply air
GRLZ

- Mid flow:
Precision adjustment for average speed
- Adjustment with slotted head screw
- Adjustment with knurled screw

General technical data							
Screw-in thread		M5	G1/8	G1/4	G3/8	G1/2	G3/4
Valve function	GRLA	One-way flow control function for exhaust air					
	GRLZ	One-way flow control function for supply air					
	GRLO	Flow control function					
Setting component		Slotted head or knurled screw					
Type of mounting		Threaded					
Mounting position		Any					
Max. tightening torque [Nm]		1.5	6	11	20	40	60

• † - Note: This product conforms with the ISO 1179-1 standard and the ISO 228-1 standard.

Operating and environmental conditions							
Screw-in thread		M5	G1/8	G1/4	G3/8	G1/2	G3/4
Operating medium		Compressed air, filtered (to 40µm), lubricated or unlubricated					
Operating pressure	GRLA/GRLZ	[bar]	0.2 ... 10	0.3 ... 10			
	GRLO	[bar]	0 ... 10	-			
Ambient temperature		[°C]	-10 ... +60				
Temperature of medium		[°C]	-10 ... +60				

Weights [g]							
Screw-in thread		M5	G1/8	G1/4	G3/8	G1/2	G3/4
GRL...-B		11	28	60	97	204	377
GRL...-RS-B		12	30	59	-	-	-

Flow control valves and one-way flow control valves

Technical data – Standard flow control valve with female thread

Standard nominal flow rate qnN [l/min] at 6 bar → 5 bar							
Screw-in thread		M5	G1/8	G1/4	G3/8	G1/2	G3/4
One-way flow control function for exhaust air							
GRLA	F ¹⁾	0 ... 95	0 ... 340	0 ... 610	0 ... 1 450	0 ... 2 100	0 ... 4 320
	N ²⁾	76 ... 95	260 ... 420	450 ... 820	970 ... 1 600	1 550 ... 2 200	3 220 ... 4 720
One-way flow control function for supply air							
GRLZ	F	0 ... 95	0 ... 340	0 ... 610	–	–	–
	N	76 ... 95	260 ... 420	450 ... 820	–	–	–
Flow control function							
GRLO	F	0 ... 95	–	–	–	–	–

- 1) F: Flow control direction
- 2) N: Non-return direction

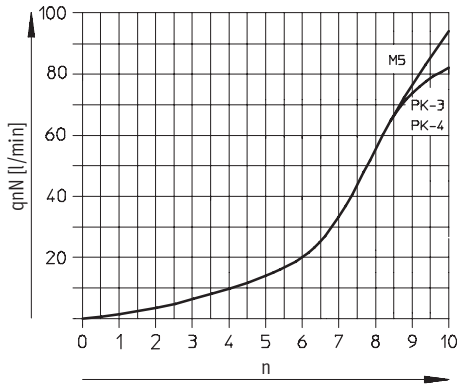
Flow control valves and one-way flow control valves

Technical data – Standard flow control valve with female thread



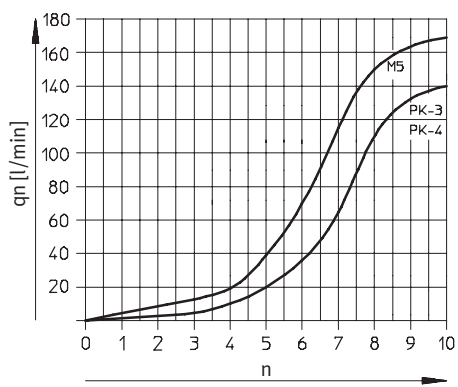
Standard nominal flow rate q_{nN} at 6 bar \rightarrow 5
as a function of turns of the adjusting screw n

Screw-in thread M5

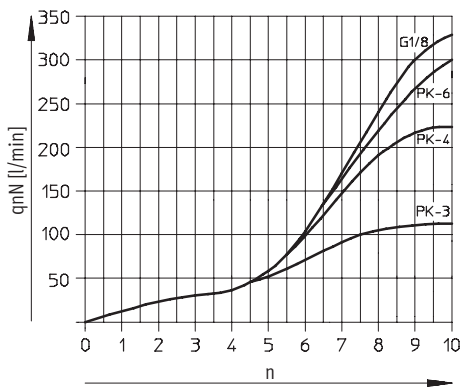


Standard flow rate q_n at 6 bar \rightarrow 0 bar
as a function of turns of the adjusting screw n

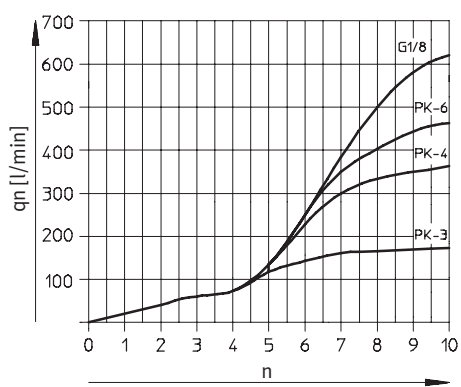
Screw-in thread M5



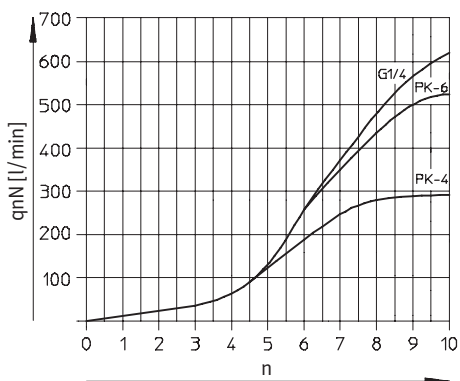
Screw-in thread G1/8



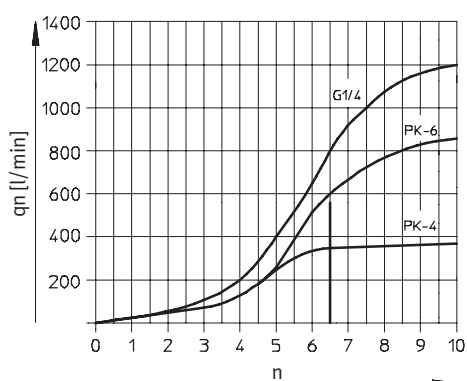
Screw-in thread G1/8



Screw-in thread G1/4



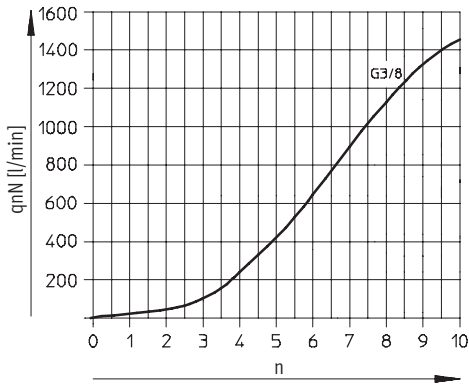
Screw-in thread G1/4



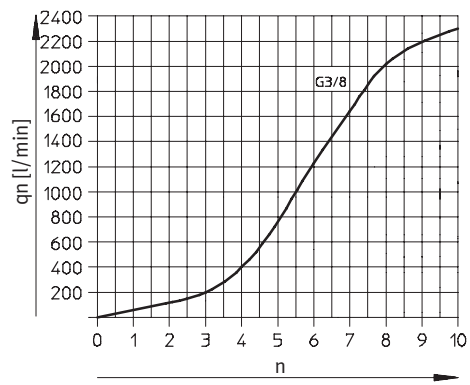
Flow control valves and one-way flow control valves

Technical data – Standard flow control valve with female thread

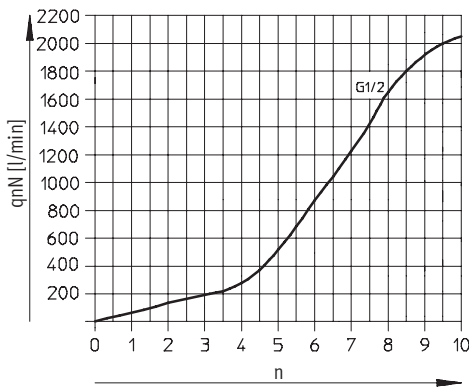
Standard nominal flow rate q_{nN} at 6 bar \rightarrow 5 as a function of turns of the adjusting screw n
Screw-in thread G $\frac{3}{8}$



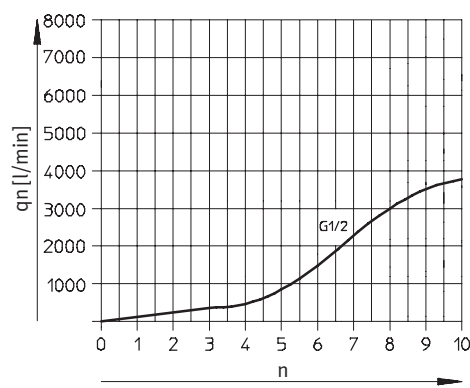
Standard flow rate q_n at 6 bar \rightarrow 0 bar as a function of turns of the adjusting screw n
Screw-in thread G $\frac{3}{8}$



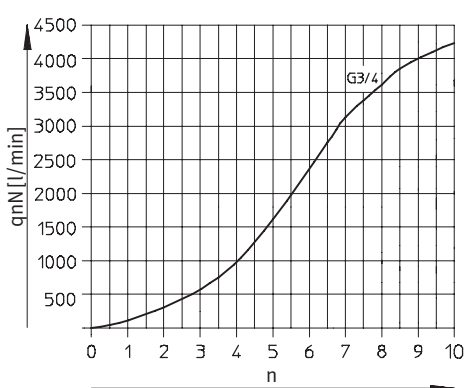
Screw-in thread G $\frac{1}{2}$



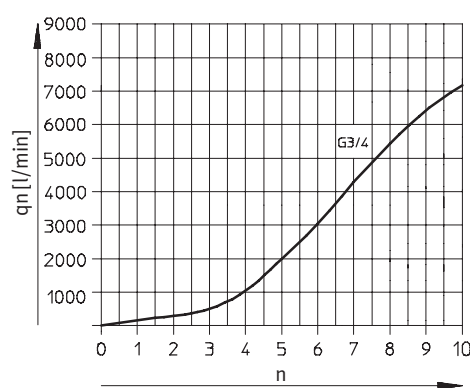
Screw-in thread G $\frac{1}{2}$



Screw-in thread G $\frac{3}{4}$



Screw-in thread G $\frac{3}{4}$



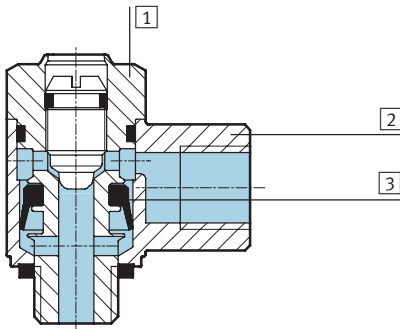
Flow control valves and one-way flow control valves

Technical data – Standard flow control valve with female thread



Materials

Sectional view

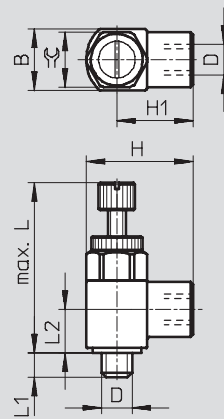
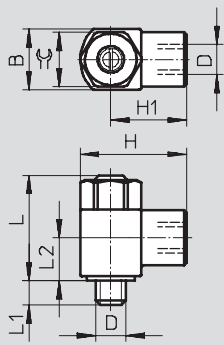


Flow control valve	
1	Threaded collar Wrought aluminium alloy (M5: brass, nickel-plated)
2	Swivel joint Die-cast zinc
3	Seals Nitrile rubber
Note on material Designs free of copper, PTFE and silicone → Ordering data	

Dimensions

Slotted head screw

Knurled screw






Screw-in thread D	Connecting thread D	B	H	H1	L max.	L1	L2	⌀C
Slotted head screw								
M5	M5	10 -0.15	17.5	12.5	17.6	4 ±0.3	7.1	9
G1/8	G1/8	16 -0.15	28	20	25.2	5.3 +0.45/-0.35	10.3	14
G1/4	G1/4	20 -0.2	36	26	30.8	8.2 +0.45/-0.35	13.2	17
G3/8	G3/8	25 -0.2	41	28.5	37.2	8.8 +0.45/-0.35	15.5	22
G1/2	G1/2	32 -0.2	53	37	48.6	12.8 ±0.45	18.9	27
G3/4	G3/4	41 -0.3	64	43.5	60.2	13.5 ±0.5	24.5	36
Knurled screw								
M5	M5	10 -0.15	17.5	12.5	27.3	4 ±0.3	7.1	9
G1/8	G1/8	16 -0.15	28	20	38.6	5.3 +0.45/-0.35	10.3	14
G1/4	G1/4	20 -0.2	36	26	54.8	8.2 +0.45/-0.35	13.2	17

- | - Note: This product conforms with the ISO 1179-1 standard and the ISO 228-1 standard.

Flow control valves and one-way flow control valves

Technical data – Standard flow control valve with female thread

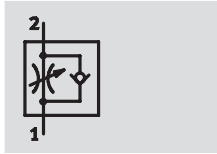
Ordering data								
Design	Screw-in thread	Connecting thread	One-way flow control function for exhaust air		One-way flow control function for supply air		Flow control function, acting at both sides	
			Part No.	Type	Part No.	Type	Part No.	Type
Female thread, elbow outlet, slotted head screw								
	M5	M5	151 160	GRLA-M5-B	151 183	GRLZ-M5-B	151 181	GRL0-M5-B
	G1/8	G1/8	151 165	GRLA-1/8-B	151 188	GRLZ-1/8-B	-	-
	G1/4	G1/4	151 172	GRLA-1/4-B	151 195	GRLZ-1/4-B	-	-
	G3/8	G3/8	151 178	GRLA-3/8-B	-	-	-	-
	G1/2	G1/2	151 179	GRLA-1/2-B	-	-	-	-
	G3/4	G3/4	151 180	GRLA-3/4-B	-	-	-	-
Female thread, elbow outlet, knurled screw								
	M5	M5	151 163	GRLA-M5-RS-B	151 186	GRLZ-M5-RS-B	-	-
	G1/8	G1/8	151 169	GRLA-1/8-RS-B	151 192	GRLZ-1/8-RS-B	-	-
	G1/4	G1/4	151 175	GRLA-1/4-RS-B	151 198	GRLZ-1/4-RS-B	-	-
Female thread, elbow outlet, slotted head screw								
Free of copper, PTFE and silicone								
	M5	M5	165 663	GRLA-M5-B-CT	-	-	-	-
	G1/8	G1/8	165 654	GRLA-1/8-B-CT	-	-	-	-
	G1/4	G1/4	165 648	GRLA-1/4-B-CT	-	-	-	-
	G3/8	G3/8	165 662	GRLA-3/8-B-CT	-	-	-	-
	G1/2	G1/2	165 647	GRLA-1/2-B-CT	-	-	-	-
	G3/4	G3/4	165 661	GRLA-3/4-B-CT	-	-	-	-

Flow control valves and one-way flow control valves

Technical data – Standard flow control valve with barbed fitting connection PK



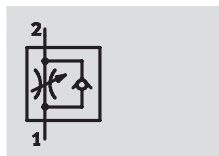
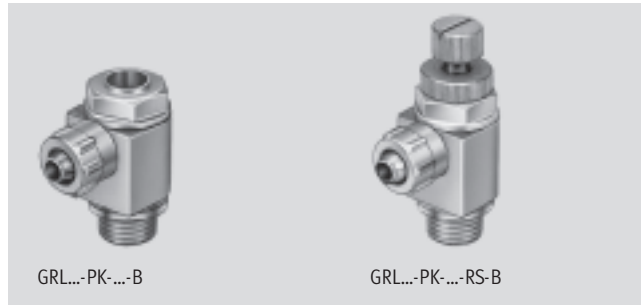
Function



One-way flow control for exhaust air
GRLA



Flow control acting at both sides
GRLO



One-way flow control for supply air
GRLZ

Series B:

- Mid flow: Precision adjustment for average speed
- Adjustment with slotted head screw
- Adjustment with knurled screw
- With screw-in thread G $\frac{1}{8}$ and G $\frac{1}{4}$ with union nut

General technical data			
Screw-in thread		M5	G $\frac{1}{8}$ G $\frac{1}{4}$
Valve function	GRLA	One-way flow control function for exhaust air	
	GRLZ	One-way flow control function for supply air	
	GRLO	Flow control function	
Setting component		Slotted head or knurled screw	
Type of mounting		Threaded	
Mounting position		Any	
Max. tightening torque	[Nm]	1.5	6 11

Operating and environmental conditions			
Screw-in thread		M5	G $\frac{1}{8}$ G $\frac{1}{4}$
Operating medium		Compressed air, filtered (to 40 μ m), lubricated or unlubricated	
Operating pressure	GRLA/GRLZ	[bar]	0.2 ... 10 0.3 ... 10
	GRLO	[bar]	0 ... 10 –
Ambient temperature		[°C]	–10 ... +60
Temperature of medium		[°C]	–10 ... +60

Weights [g]			
Screw-in thread		M5	G $\frac{1}{8}$ G $\frac{1}{4}$
	GRL...-B	[g]	10 25 44
	GRL...-RS-B	[g]	11 26 45

Flow control valves and one-way flow control valves

Technical data – Standard flow control valve with barbed fitting connection PK

Standard nominal flow rate qnN [l/min] at 6 bar → 5 bar					
Screw-in thread			M5	G1/8	G1/4
One-way flow control function for exhaust air					
GRLA	PK-3	F ¹⁾	0 ... 83	0 ... 110	–
		N ²⁾	72 ... 83	100 ... 110	–
	PK-4	F	0 ... 83	0 ... 230	0 ... 260
		N	76 ... 88	190 ... 240	220 ... 260
	PK-6	F	–	0 ... 300	0 ... 540
		N	–	210 ... 290	410 ... 585
One-way flow control function for supply air					
GRLZ	PK-3	F	0 ... 83	0 ... 110	–
		N	72 ... 83	100 ... 110	–
	PK-4	F	0 ... 83	0 ... 230	0 ... 260
		N	76 ... 88	190 ... 240	220 ... 260
	PK-6	F	–	0 ... 300	0 ... 540
		N	–	210 ... 290	410 ... 585
Flow control function					
GRLO	PK-3	F	0 ... 83	–	–

1) F: Flow control direction
 2) N: Non-return direction

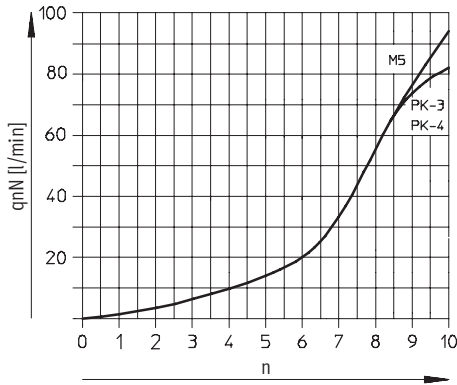
Flow control valves and one-way flow control valves

Technical data – Standard flow control valve with barbed fitting connection PK



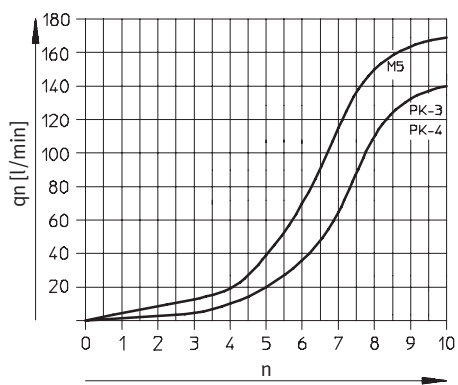
Standard nominal flow rate q_{nN} at 6 bar \rightarrow 5
as a function of turns of the adjusting screw n

Screw-in thread M5

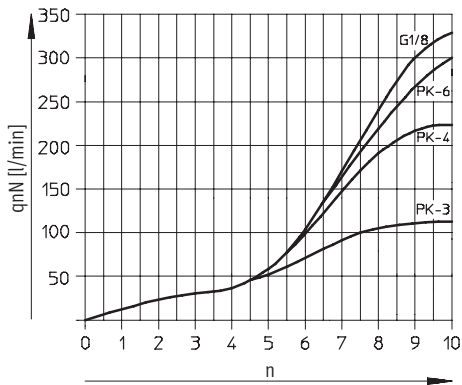


Standard flow rate q_n at 6 bar \rightarrow 0 bar
as a function of turns of the adjusting screw n

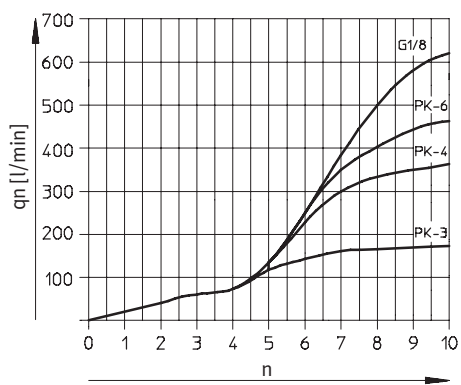
Screw-in thread M5



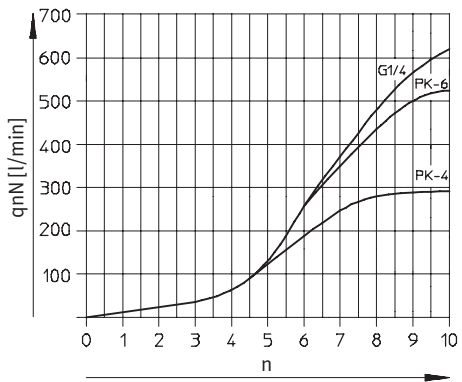
Screw-in thread G1/8



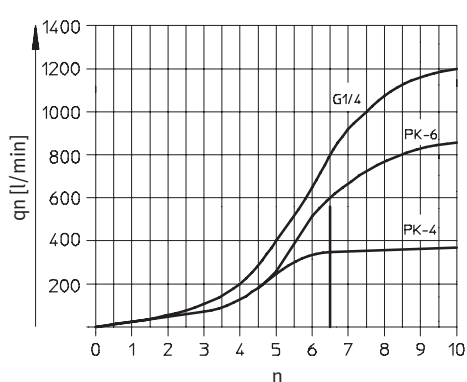
Screw-in thread G1/8



Screw-in thread G1/4



Screw-in thread G1/4

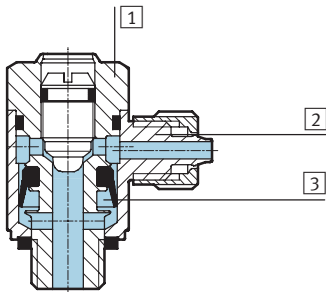


Flow control valves and one-way flow control valves

Technical data – Standard flow control valve with barbed fitting connection PK

Materials

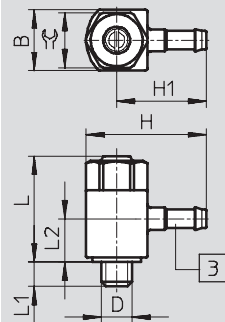
Sectional view



Flow control valve	
1	Threaded collar Wrought aluminium alloy (M5: brass, nickel-plated)
2	Swivel joint Die-cast zinc
3	Seals Nitrile rubber
Note on material Designs free of copper, PTFE and silicone → Ordering data	

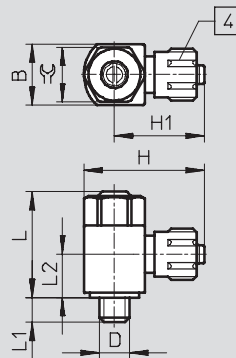
Dimensions

Slotted head screw, screw-in thread M5



3 Barbed fitting

Slotted head screw, screw-in thread G $\frac{1}{8}$, G $\frac{1}{4}$

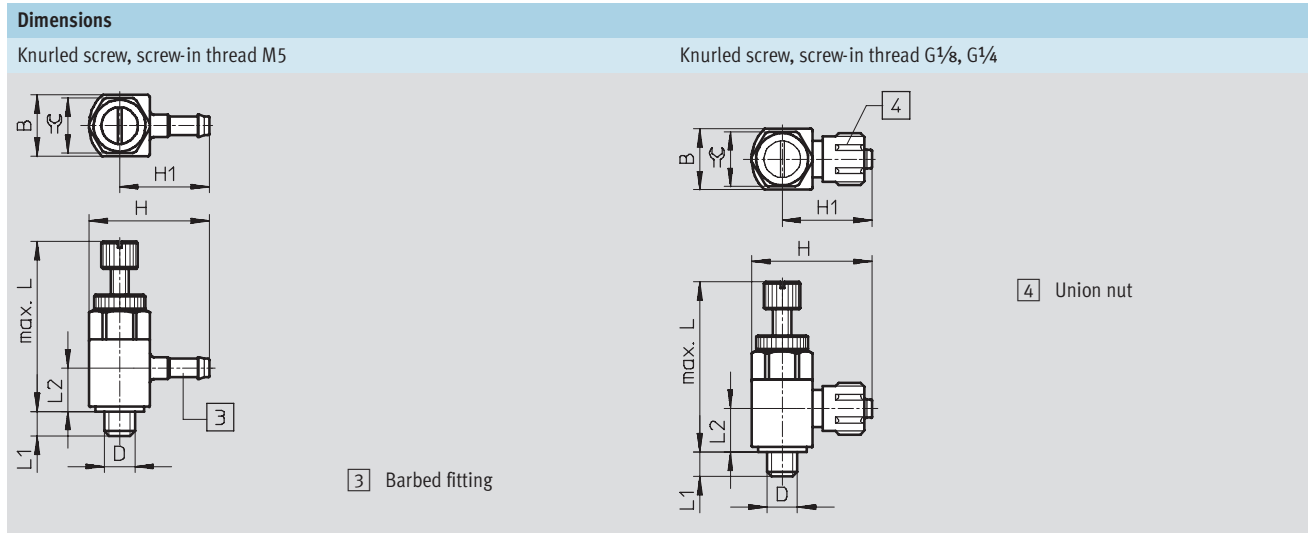


4 Union nut

Screw-in thread D	Tubing I.D.	B	H	H1	L	L1	L2	⌀
M5	3	10 -0.15	19.7	14.7	17.6	4 ±0.3	8.5	9
	4	10 -0.15	21.7	16.7	17.6	4 ±0.3	8.5	9
G $\frac{1}{8}$	3	16 -0.15	27.1	19.1	25.2	5.3 +0.45/-0.35	13.4	14
	4	16 -0.15	30.2	22.2	25.2	5.3 +0.45/-0.35	13.4	14
	6	16 -0.15	30.3	22.3	25.2	5.3 +0.45/-0.35	12	14
G $\frac{1}{4}$	4	20 -0.2	34.2	24.2	30.8	8.2	16.9	17
	6	20 -0.2	34.3	24.3	30.8	8.2	17.2	17

Flow control valves and one-way flow control valves

Technical data – Standard flow control valve with barbed fitting connection PK






Screw-in thread D	Tubing I.D.	B	H	H1	L max.	L1	L2	$\approx C$
M5	3	10 -0.15	19.7	14.7	27.3	4 ±0.3	8.5	9
G $\frac{1}{8}$	4	16 -0.15	30.2	22.2	38.6	5.3 +0.45/-0.35	13.4	14
	6	16 -0.15	30.3	22.3	38.6	5.3 +0.45/-0.35	12	14
G $\frac{1}{4}$	4	20 -0.2	34.2	24.2	54.8	8.2 +0.45/-0.35	16.9	17
	6	20 -0.2	34.3	24.3	54.8	8.2 +0.45/-0.35	17.2	17

Flow, non-return and regulating valves
Flow control valves and one-way flow control valves

Flow control valves and one-way flow control valves

Technical data – Standard flow control valve with barbed fitting connection PK

Ordering data									
Version ¹⁾	Screw-in thread	For tubing I.D. [mm]	One-way flow control function for exhaust air		One-way flow control function for supply air		Flow control function acting at both sides		
			Part No.	Type	Part No.	Type	Part No.	Type	
Barbed fitting, elbow outlet, slotted head screw									
	M5	3	151 161	GRLA-M5-PK-3-B	151 184	GRLZ-M5-PK-3-B	151 182	GRLO-M5-PK-3-B	
		4	151 162	GRLA-M5-PK-4-B	151 185	GRLZ-M5-PK-4-B	–	–	
	G1/8	3	151 166	GRLA-1/8-PK-3-B	151 189	GRLZ-1/8-PK-3-B	–	–	
		4	151 167	GRLA-1/8-PK-4-B	151 190	GRLZ-1/8-PK-4-B	–	–	
		6	151 168	GRLA-1/8-PK-6-B	151 191	GRLZ-1/8-PK-6-B	–	–	
	G1/4	4	151 173	GRLA-1/4-PK-4-B	151 196	GRLZ-1/4-PK-4-B	–	–	
		6	151 174	GRLA-1/4-PK-6-B	151 197	GRLZ-1/4-PK-6-B	–	–	
	Barbed fitting, elbow outlet, knurled screw								
		M5	3	151 164	GRLA-M5-PK-3-RS-B	151 187	GRLZ-M5-PK-3-RS-B	–	–
G1/8		4	151 170	GRLA-1/8-PK-4-RS-B	151 193	GRLZ-1/8-PK-4-RS-B	–	–	
		6	151 171	GRLA-1/8-PK-6-RS-B	151 194	GRLZ-1/8-PK-6-RS-B	–	–	
G1/4		4	151 176	GRLA-1/4-PK-4-RS-B	151 199	GRLZ-1/4-PK-4-RS-B	–	–	
		6	151 177	GRLA-1/4-PK-6-RS-B	151 200	GRLZ-1/4-PK-6-RS-B	–	–	
Barbed fitting, elbow outlet, slotted head screw Free of copper, PTFE and silicone									
	M5	3	165 664	GRLA-M5-PK-3-B-CT	–	–	–	–	
		4	165 666	GRLA-M5-PK-4-B-CT	–	–	–	–	
	G1/8	3	165 655	GRLA-1/8-PK-3-B-CT	–	–	–	–	
		4	165 656	GRLA-1/8-PK-4-B-CT	–	–	–	–	
		6	165 658	GRLA-1/8-PK-6-B-CT	–	–	–	–	
	G1/4	4	165 649	GRLA-1/4-PK-4-B-CT	–	–	–	–	
6		165 651	GRLA-1/4-PK-6-B-CT	–	–	–	–		

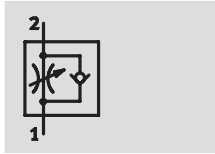
1) Union nut for barbed fitting only with screw-in thread G1/8 and G1/4

Flow control valves and one-way flow control valves

Technical data – Mini flow control valve with female thread



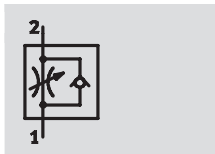
Function



One-way flow control for exhaust air
GRLA



Flow control acting at both sides
GRLO



One-way flow control for supply air
GRLZ



- Low flow: Precision adjustment for low speed
- Adjustment with slotted head screw

General technical data			
Screw-in thread	M3	M5	
Valve function	GRLA	One-way flow control function for exhaust air	
	GRLZ	One-way flow control function for supply air	
	GRLO	Flow control function	
Setting component	Slotted head or knurled screw		
Type of mounting	Threaded		
Mounting position	Any		
Max. tightening torque	[Nm]	0.3	1.5

Operating and environmental conditions			
Screw-in thread	M3	M5	
Operating medium	Compressed air, filtered (to 40µm), lubricated or unlubricated		
Operating pressure	GRLA/GRLZ [bar]	0.2 ... 10	0.2 ... 10
	GRLO [bar]	0 ... 10	–
Ambient temperature	[°C]	–10 ... +60	
Temperature of medium	[°C]	–10 ... +60	

Weights [g]			
Screw-in thread	M3	M5	
Product weight	[g]	2	7

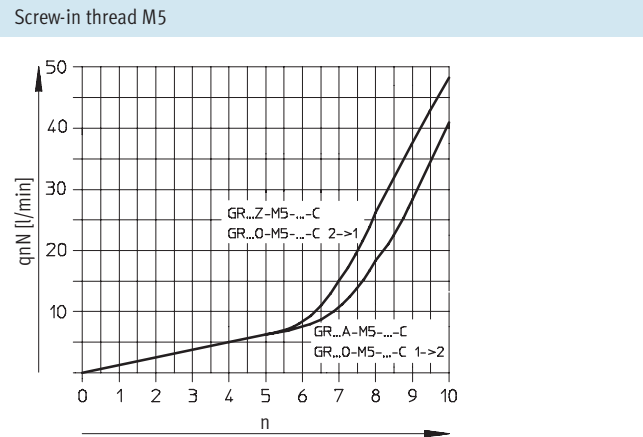
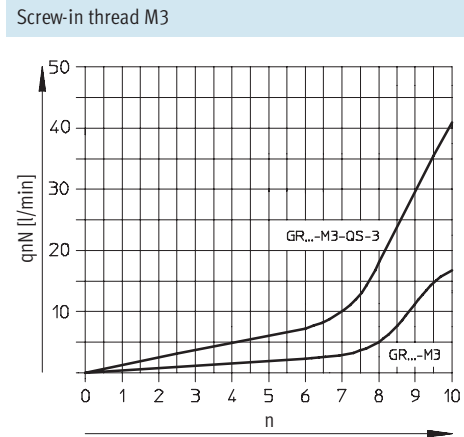
Flow control valves and one-way flow control valves

Technical data – Mini flow control valve with female thread

Standard nominal flow rate q_{nN} [l/min] at 6 bar \rightarrow 5 bar			
Screw-in thread		M3	M5
One-way flow control function for exhaust air			
GRLA	F ¹⁾	0 ... 18	0 ... 40
	N ²⁾	18 ... 20	50 ... 75
One-way flow control function for supply air			
GRLZ	F	0 ... 18	0 ... 40
	N	18 ... 20	40 ... 65
Flow control function			
GRLO	F	0 ... 18	0 ... 40
	N	0 ... 18	0 ... 48

- 1) F: Flow control direction
- 2) N: Non-return direction

Standard nominal flow rate q_{nN} at 6 bar \rightarrow 5 bar as a function of turns of the adjusting screw n



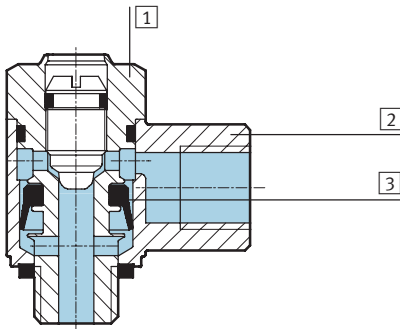
Flow control valves and one-way flow control valves

Technical data – Mini flow control valve with female thread



Materials

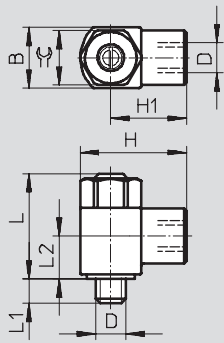
Sectional view



Flow control valve	
1	Threaded collar Brass, nickel-plated
2	Swivel joint Die-cast zinc
3	Seals Nitrile rubber

Dimensions

Screw-in thread M3/M5



Screw-in thread	Connecting thread D	B	H	H1	L	L1	L2	⌀C
M3	M3	5	9	6.5	13.3	2.5	6.4	4.5
M5	M5	8	16	12	17.7	3.1	8.2	7

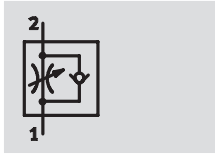
Ordering data

Version	Screw-in thread	Connecting thread	One-way flow control function for exhaust air		One-way flow control function for supply air		Flow control function acting at both sides	
			Part No.	Type	Part No.	Type	Part No.	Type
	M3	M3	175 038	GRLA-M3	175 040	GRLZ-M3	175 039	GRLO-M3
	M5	M5	175 047	GRLA-M5-LF-C	175 049	GRLZ-M5-LF-C	175 048	GRLO-M5-LF-C

Flow control valves and one-way flow control valves

Technical data – Mini flow control valve with barbed fitting connection PK

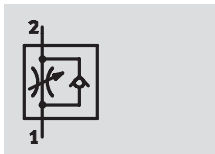
Function



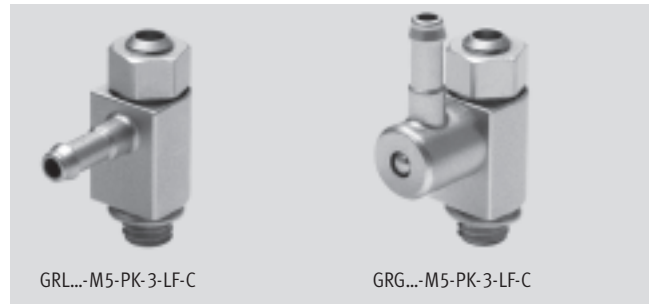
One-way flow control for exhaust air
GRLA



Flow control acting at both sides
GRLO



One-way flow control for supply air
GRLZ



GRL...-M5-PK-3-LF-C

GRG...-M5-PK-3-LF-C

- Low flow: Precision adjustment for low speed
 - Barbed fitting connection
 - Adjustment with slotted head screw
- Variants:
- Swivel joint, elbow outlet
 - Swivel joint, parallel outlet

General technical data		
Screw-in thread		M5
Valve function	GRLA	One-way flow control function for exhaust air
	GRLZ	One-way flow control function for supply air
	GRLO	Flow control function
Setting component		Slotted head or knurled screw
Type of mounting		Threaded
Mounting position		Any
Max. tightening torque	[Nm]	1.5

Operating and environmental conditions		
Screw-in thread		M5
Operating medium		Compressed air, filtered (to 40µm), lubricated or unlubricated
Operating pressure	GRLA/GRLZ	[bar] 0.2 ... 10
	GRLO	[bar] –
Ambient temperature	[°C]	–10 ... +60
Temperature of medium	[°C]	–10 ... +60

Weights [g]		
Screw-in thread		M5
Product weight	[g]	7

Flow control valves and one-way flow control valves

Technical data – Mini flow control valve with barbed fitting connection PK

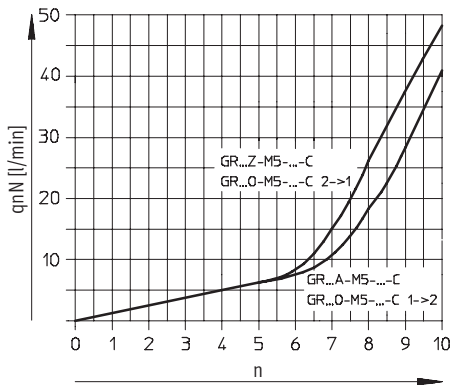


Standard nominal flow rate q_{nN} [l/min] at 6 bar \rightarrow 5 bar			
Screw-in thread		M5	
One-way flow control function for exhaust air			
PK-3	GRLA/GRGA	F ¹⁾	0 ... 40
		N ²⁾	42 ... 63
One-way flow control function for supply air			
PK-3	GRLZ/GRGZ	F	0 ... 40
		N	35 ... 58
Flow control function			
PK-3	GRLO/GRGO	F	0 ... 40
		N	0 ... 48

- 1) F: Flow control direction
- 2) N: Non-return direction

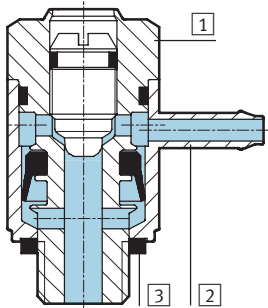
Standard nominal flow rate q_{nN} at 6 bar \rightarrow 5 bar as a function of turns of the adjusting screw n

Screw-in thread M5



Materials

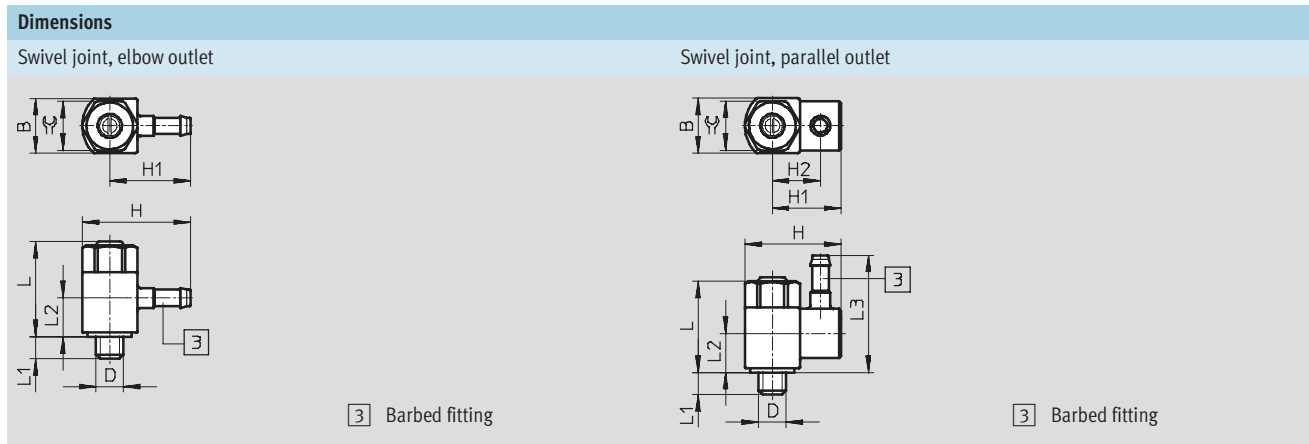
Sectional view



Flow control valve	
1	Threaded collar Brass, nickel-plated
2	Swivel joint Die-cast zinc
3	Seals Nitrile rubber

Flow control valves and one-way flow control valves

Technical data – Mini flow control valve with barbed fitting connection PK



Screw-in thread D	Tubing I.D.	B	H	H1	H2	L	L1	L2	L3	☞
Swivel joint, elbow outlet										
M5	3	8	17.7	13.7	–	17.7	3.1	9.4	–	7
Swivel joint, parallel outlet										
M5	3	8	15.8	11.8	8.3	17.7	3.1	8.7	21	7

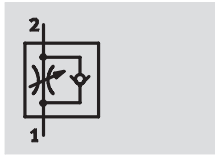
Ordering data										
Version	Screw-in thread	For tubing I.D. [mm]	One-way flow control function for exhaust air		One-way flow control function for supply air		Flow control function acting at both sides			
			Part No.	Type	Part No.	Type	Part No.	Type	Part No.	Type
Barbed fitting, elbow outlet, slotted head screw										
	M5	3	175 050	GRLA-M5-PK-3-LF-C	175 052	GRLZ-M5-PK-3-LF-C	175 051	GRLO-M5-PK-3-LF-C		
Swivel joint, parallel outlet, slotted head screw										
	M5	3	175 059	GRGA-M5-PK-3-LF-C	175 061	GRGZ-M5-PK-3-LF-C	175 060	GRGO-M5-PK-3-LF-C		

Flow control valves and one-way flow control valves

Technical data – Corrosion resistant flow control valve with female thread



Function



- Mid flow: Precision adjustment for average speed
- Adjustment with slotted head screw



CRGRLA-...-B

One-way flow control for exhaust air
CRGRLA

General technical data					
Screw-in thread	M5	G $\frac{1}{8}$	G $\frac{1}{4}$	G $\frac{3}{8}$	G $\frac{1}{2}$
Valve function	One-way flow control function for exhaust air				
Setting component	Slotted head screw				
Type of mounting	Threaded				
Mounting position	Any				
Max. tightening torque [Nm]	1.5	6	11	20	40

• † : Note: This product conforms with the ISO 1179-1 standard and the ISO 228-1 standard.

Operating and environmental conditions					
Screw-in thread	M5	G $\frac{1}{8}$	G $\frac{1}{4}$	G $\frac{3}{8}$	G $\frac{1}{2}$
Operating medium	Compressed air, filtered (to 40 μ m), lubricated or unlubricated				
Operating pressure [bar]	0.2 ... 10	0.3 ... 10			
Ambient temperature [°C]	-20 ... +80				
Temperature of medium [°C]	-10 ... +60				

Weights [g]					
Screw-in thread	M5	G $\frac{1}{8}$	G $\frac{1}{4}$	G $\frac{3}{8}$	G $\frac{1}{2}$
	14	44	83	150	315

Standard nominal flow rate q _{nN} [l/min] at 6 bar → 5 bar					
Screw-in thread	M5	G $\frac{1}{8}$	G $\frac{1}{4}$	G $\frac{3}{8}$	G $\frac{1}{2}$
One-way flow control function for exhaust air					
	F ¹⁾	0 ... 95	0 ... 340	0 ... 610	0 ... 1 450
	N ²⁾	77 ... 95	260 ... 420	450 ... 820	970 ... 1 600
					0 ... 2 100
					1 550 ... 2 200

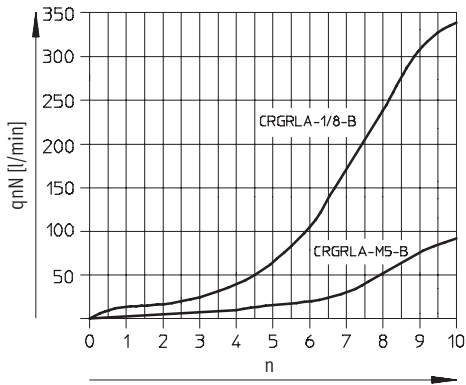
- 1) F: Flow control direction
2) N: Non-return direction

Flow control valves and one-way flow control valves

Technical data – Corrosion resistant flow control valve with female thread

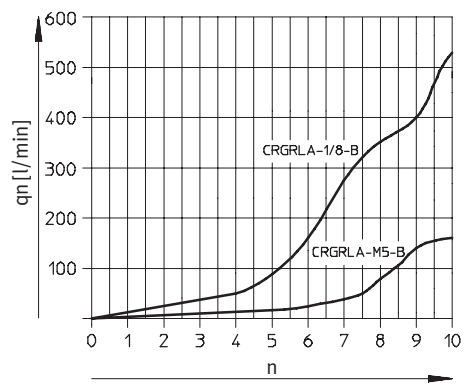
Standard nominal flow rate q_{nN} at 6 bar \rightarrow 5 bar
as a function of turns of the adjusting screw n

Screw-in thread M5, G $\frac{1}{8}$

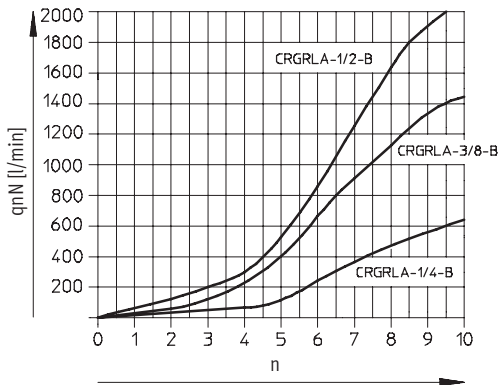


Standard flow rate q_n at 6 bar \rightarrow 0 bar
as a function of turns of the adjusting screw n

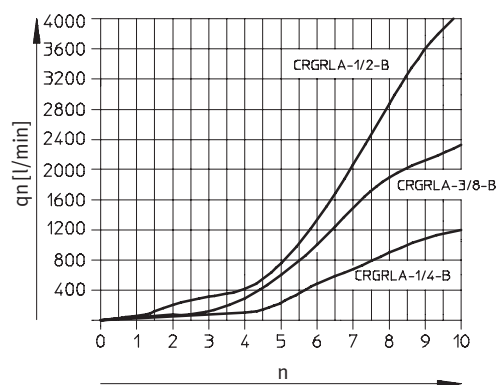
Screw-in thread M5, G $\frac{1}{8}$



Screw-in thread G $\frac{1}{4}$, G $\frac{3}{8}$, G $\frac{1}{2}$



Screw-in thread G $\frac{1}{4}$, G $\frac{3}{8}$, G $\frac{1}{2}$



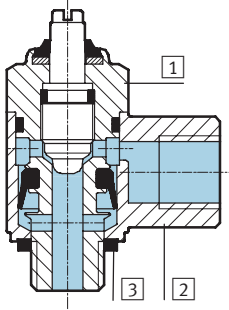
Flow control valves and one-way flow control valves

Technical data – Corrosion resistant flow control valve with female thread



Materials

Sectional view



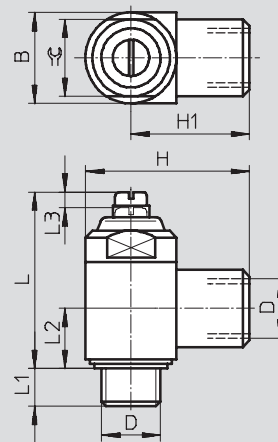
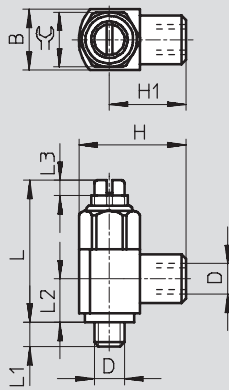
Flow control valve

1	Threaded collar	High-alloy stainless steel
2	Swivel joint	High-alloy stainless steel
3	Seals	Fluorocautchouc, nitrile rubber

Dimensions

Screw-in thread M5

Screw-in thread G $\frac{1}{8}$, G $\frac{1}{4}$, G $\frac{3}{8}$, G $\frac{1}{2}$



Screw-in thread D	Connecting thread D	B	H	H1	L	L1	L2	L3	\varnothing
M5	M5	10 -0.25	17.5 ±0.3	12.5	23.2	4	7.1	2.5	9
G $\frac{1}{8}$	G $\frac{1}{8}$	16 -0.4	28 +0.4/-0.3	20	33.7	5.5	10.3	3.5	14
G $\frac{1}{4}$	G $\frac{1}{4}$	20 -0.3	36 +0.4/-0.2	26	38.8	6.5	13.2	3.5	17
G $\frac{3}{8}$	G $\frac{3}{8}$	25 -0.3	41 +0.4/-0.2	28.5	48.5	7.5	15.4	5	22
G $\frac{1}{2}$	G $\frac{1}{2}$	32 -0.4	53 ±0.5	37	62.2	9	18.9	7.5	27

– Note: This product conforms with the ISO 1179-1 standard and the ISO 228-1 standard.

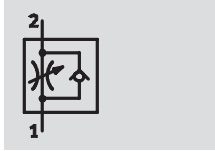
Ordering data

Version	Screw-in thread	Connecting thread	One-way flow control function for exhaust air Part No. Type
	M5	M5	161 403 CRGRLA-M5-B
	G $\frac{1}{8}$	G $\frac{1}{8}$	161 404 CRGRLA- $\frac{1}{8}$ -B
	G $\frac{1}{4}$	G $\frac{1}{4}$	161 405 CRGRLA- $\frac{1}{4}$ -B
	G $\frac{3}{8}$	G $\frac{3}{8}$	161 406 CRGRLA- $\frac{3}{8}$ -B
	G $\frac{1}{2}$	G $\frac{1}{2}$	161 407 CRGRLA- $\frac{1}{2}$ -B

Flow control valves and one-way flow control valves

Technical data – Inline flow control valve with QS push-in connectors

Function



One-way flow control
GR-QS/GR-QS-LF



Flow control acting at both sides
GRO-QS

- Low flow:
Precision adjustment for low speed
- Mid flow:
Precision adjustment for average speed
- Adjustment with knurled screw



GR-QS-...
GRO-QS-...

General technical data				
Push-in connector ¹⁾	QS-3	QS-4	QS-6	QS-8
Valve function	One-way flow control function			
Setting component	Knurled screw			
Type of mounting	Front panel mounting, in-line installation, via through-holes, with accessories			
Mounting position	Any			
Max. tightening torque	[Nm]	0.9		

1) For standard O.D. tubing

Operating and environmental conditions				
Push-in connector	QS-3	QS-4	QS-6	QS-8
Operating medium	Compressed air, filtered (to 40µm), lubricated or unlubricated			
Operating pressure	[bar]	0.2 ... 10		
Ambient temperature	[°C]	-10 ... +60		
Temperature of medium	[°C]	-10 ... +60		

Weights [g]					
Push-in connector	QS-3	QS-4	QS-6	QS-8	
	[g]	15	15	25	26

Flow control valves and one-way flow control valves

Technical data – Inline flow control valve with QS push-in connectors



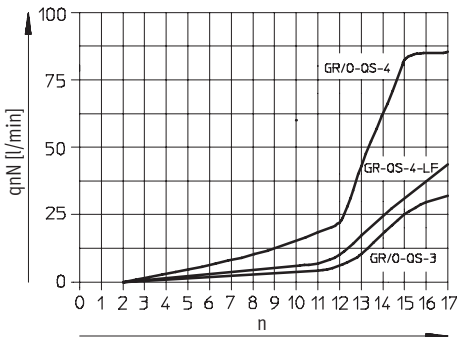
Standard nominal flow rate q_{nN} [l/min] at 6 bar \rightarrow 5 bar					
Push-in connector		QS-3	QS-4	QS-6	QS-8
GR	F ¹⁾	0 ... 25	0 ... 85	0 ... 160	0 ... 225
	N ²⁾	65 ... 70	100 ... 110	260 ... 270	350 ... 400
GR-LF	F	–	0 ... 40	0 ... 75	–
	N	–	100 ... 110	260 ... 270	–
GRO	F	0 ... 25	0 ... 85	0 ... 160	–

- 1) F: Flow control direction
- 2) N: Non-return direction

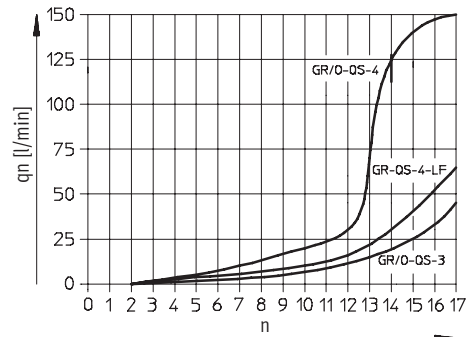
Standard flow rate q_n [l/min] at 6 bar \rightarrow 0 bar					
Push-in connector		QS-3	QS-4	QS-6	QS-8
GR	F ¹⁾	0 ... 100	0 ... 150	0 ... 205	0 ... 390
	N ²⁾	125 ... 135	170 ... 185	500 ... 510	610 ... 640
GR-LF	F	–	0 ... 130	0 ... 110	–
	N	–	170 ... 185	500 ... 510	–
GRO	F	0 ... 100	0 ... 150	0 ... 205	–

- 1) F: Flow control direction
- 2) N: Non-return direction

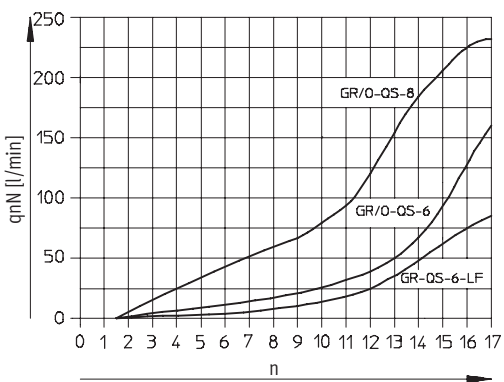
Standard nominal flow rate q_{nN} at 6 bar \rightarrow 5 bar as a function of turns of the adjusting screw n
Push-in connector QS-3/QS-4



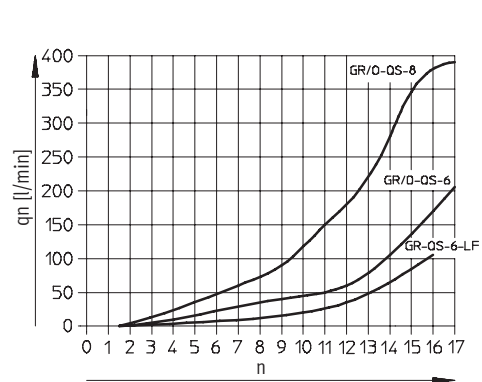
Standard flow rate q_n at 6 bar \rightarrow 0 bar as a function of turns of the adjusting screw n
Push-in connector QS-3/QS-4



Push-in connector QS-6/QS-8



Push-in connector QS-6/QS-8

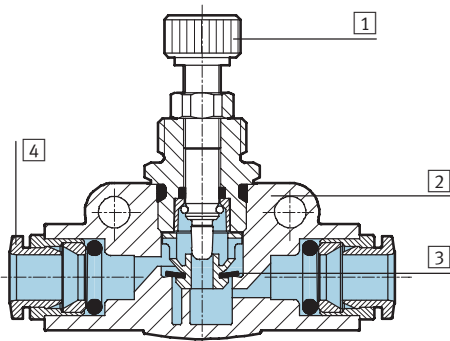


Flow control valves and one-way flow control valves

Technical data – Inline flow control valve with QS push-in connectors

Materials

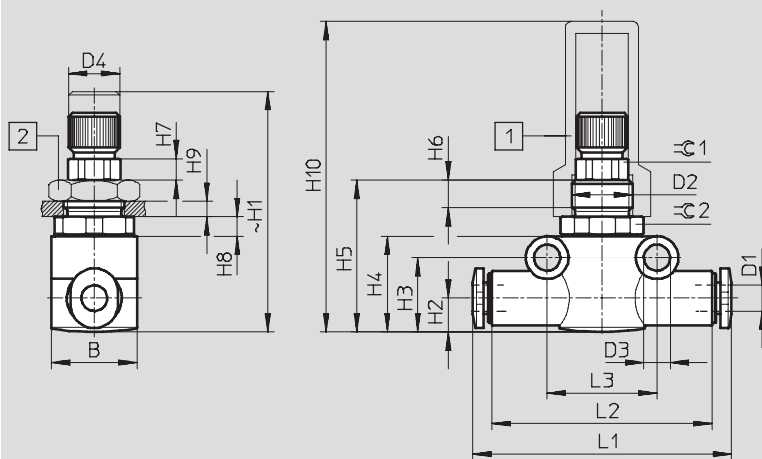
Sectional view



Flow control valve		
1	Regulating screw	Brass, nickel-plated
2	Housing	Reinforced polybutylene terephthalate
3	Seals	Nitrile rubber
4	Release ring	Polyacetal

Dimensions

Download CAD data → www.festo.com/en/engineering



- 1 Tamper-proof cap GRK
- 2 Hex nut GRM

Push-in connector	Tubing O.D. D1	B	D2	D3 Ø ±0.1	D4 Ø -0.3	H1		H2	H3	H4
						min.	max.			
QS-3	3	14	M10x1	4.3	8	36	40	5.55	12.2	15.7
QS-4	4	14	M10x1		8	36	40	5.55	12.2	15.7
QS-6	6	16	M12x1		10.1	40.5	44.5	8.4	17.3	21.3
QS-8	8	16	M12x1		10.1	40.5	44.5	8.4	17.3	21.3

Push-in connector	~ H5	~ H6	H7 ±0.1	H8	H9 max.	H10	L1	L2	L3	≅C1	≅C2
QS-3	24.9	4.5	3.5	3.2	2.5	50.9	41.8	36	18	8	13
QS-4	24.9			3.2	2.5	50.9	42.4	36	18		13
QS-6	30.1			2.8	3.5	46.1	51.6	43	24		14
QS-8	30.1			2.8	3.5	46.1	53.4	43	24		14

Ordering data

Push-in connector	For tubing O.D. [mm]	Flow rate characteristic ¹⁾	One-way flow control function		Flow control function at both sides	
			Part No.	Type	Part No.	Type
QS-3	3	Mid flow	193 965	GR-QS-3	193 971	GRO-QS-3
QS-4	4	Mid flow	193 967	GR-QS-4	193 972	GRO-QS-4
		Low flow	193 966	GR-QS-4-LF	-	-
QS-6	6	Mid flow	193 969	GR-QS-6	193 973	GRO-QS-6
		Low flow	193 968	GR-QS-6-LF	-	-
QS-8	8	Mid flow	193 970	GR-QS-8	-	-

1) Low flow: Precision adjustment for low speed
Mid flow: Precision adjustment for average speed

Flow control valves and one-way flow control valves

Accessories – Inline flow control valve with QS push-in connectors



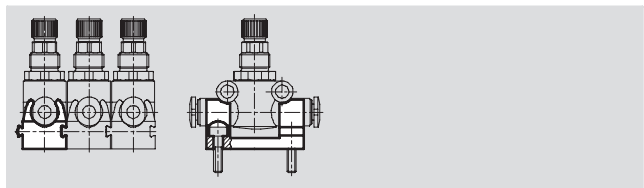
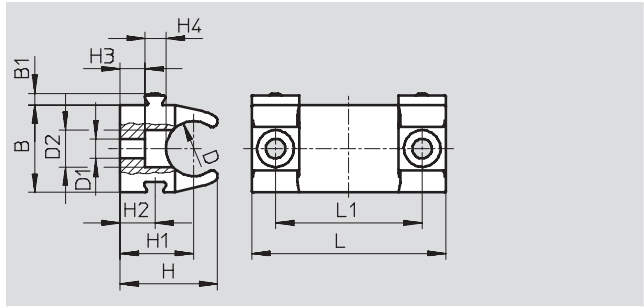
Retainer GR-H-QS

for front panel mounting

Material: Polyacetal



GR-H-QS



Dimensions and ordering data								
For push-in fitting	B	B1	D	D1	D2	H	H1	H2
QS-3/QS-4	14.3	1.9	9 ∅	3.2 ∅	6 ∅	16	12	5.7
QS-6/QS-8	19.8	1.9	14.5	3.2	6	19.2	13	5.7

For push-in fitting	H3	H4	L	L1	Product weight [g]	Part No.	Type
QS-3/QS-4	4.1	3.4	31.8	24	4	195 495	GR-H-QS-3-4
QS-6/QS-8	2.3	3.4	31.8	24	5	195 496	GR-H-QS-6-8

Hex nut GRM

for front panel mounting

Material: Steel



GRM



GRK

Tamper-proof cap GRK

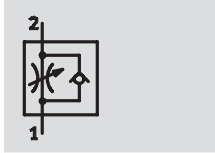
Material: Polypropylene

Ordering data					
For push-in fitting	Hex nut GRM		Tamper-proof cap GRK		
	Part No.	Type	Part No.	Type	
QS-3/QS-4	6 444	GRM-M5	6 436	GRK-M5	
QS-6/QS-8	2 107	GRM-1/8	2 105	GRK-1/8	

Flow control valves and one-way flow control valves

Technical data – Standard flow control valve with female thread

Function



One-way flow control
GR/GRA

- Mid flow: Precision adjustment for average speed
- Adjustment with knurled screw



General technical data							
Connecting thread	M3	M5	G1/8	G1/4	G3/8	G1/2	G3/4
Valve function	One-way flow control function						
Setting component	Knurled screw						
Type of mounting	Through-hole						
	-	Front panel mounting					
Mounting position	Any						
Max. tightening torque [Nm]	0.15	0.9	0.9	0.8	1	1.2	2

• Note: This product conforms with the ISO 1179-1 standard and the ISO 228-1 standard.

Operating and environmental conditions							
Connecting thread	M3	M5	G1/8	G1/4	G3/8	G1/2	G3/4
Operating medium	Filtered compressed air, lubricated or unlubricated						
Grade of filtration of medium [µm]	5	40	40	40	40	40	40
Temperature of medium [°C]	-10 ... +60	-20 ... +60	-20 ... +60	-20 ... +75	-20 ... +75	-20 ... +75	-10 ... +60
Ambient temperature [°C]	-10 ... +60	-20 ... +60	-20 ... +60	-20 ... +75	-20 ... +75	-20 ... +75	-10 ... +60

Weights [g]							
Connecting thread	M3	M5	G1/8	G1/4	G3/8	G1/2	G3/4
	2.5	21	34	180	225	517	1 100

Standard nominal flow rate q _N [l/min] at 6 bar → 5 bar							
Connecting thread	M3	M5	G1/8	G1/4	G3/8	G1/2	G3/4
F ¹⁾	0 ... 29.5	0 ... 94	0 ... 220	0 ... 420	0 ... 1 010	0 ... 1 620	0 ... 3 300
N ²⁾	26 ... 27.5	0 ... 115	0 ... 217	0 ... 780	0 ... 1 150	0 ... 2 760	0 ... 4 800

1) F: Flow control direction
2) N: Non-return direction

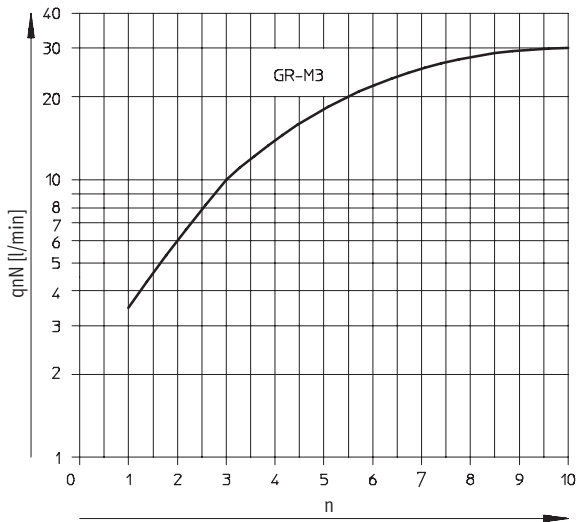
Flow control valves and one-way flow control valves

Technical data – Standard flow control valve with female thread

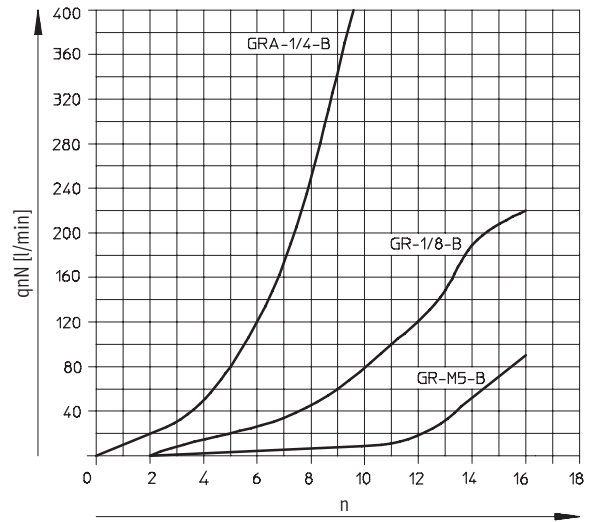


Standard nominal flow rate q_{nN} at 6 bar \rightarrow 5 bar as a function of turns of the adjusting screw n

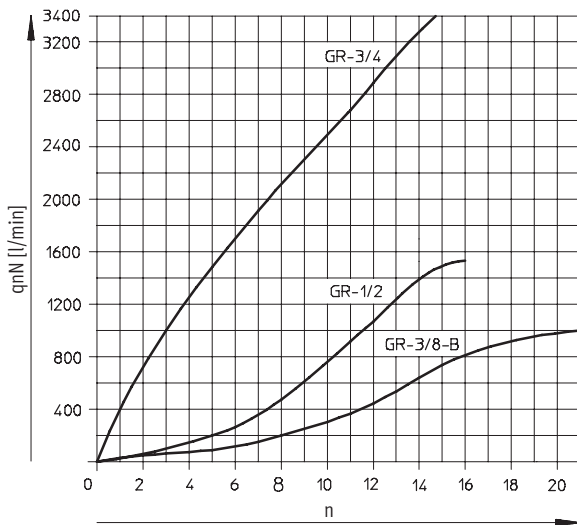
Connecting thread M3



Connecting thread M5, G $\frac{1}{8}$, G $\frac{1}{4}$



Connecting thread G $\frac{3}{8}$, G $\frac{1}{2}$, G $\frac{3}{4}$

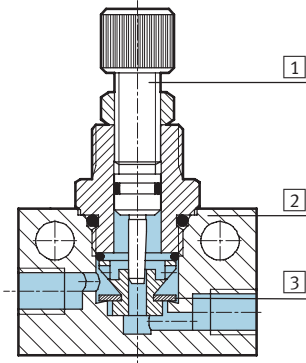


Flow control valves and one-way flow control valves

Technical data – Standard flow control valve with female thread

Materials

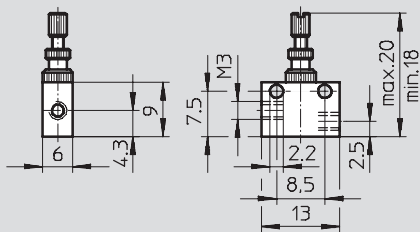
Sectional view



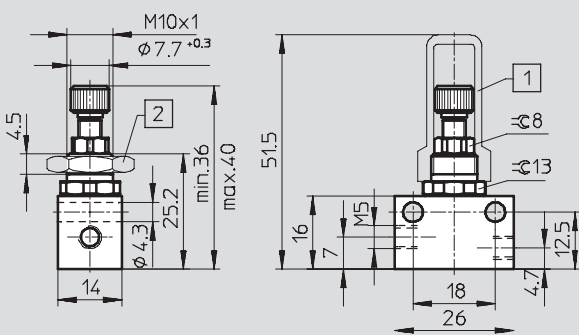
Connecting thread	M3	M5	G1/8	G1/4	G3/8	G1/2	G3/4
1 Regulating screw	Brass						Wrought aluminium alloy
2 Housing	Wrought aluminium alloy			Die-cast zinc		Wrought aluminium alloy	
3 Seal	NBR						

Dimensions

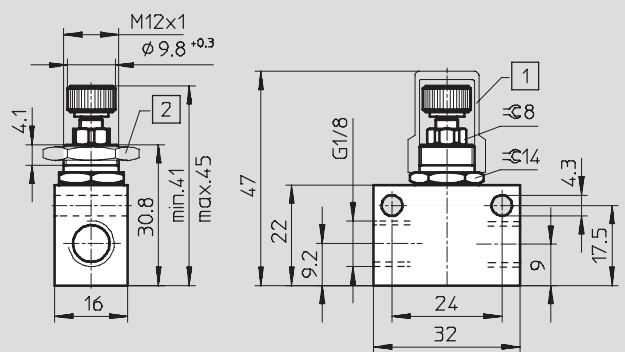
Connecting thread M3



Connecting thread M5



Connecting thread G1/8



- 1 Tamper-proof cap GRK
- 2 Hex nut GRM

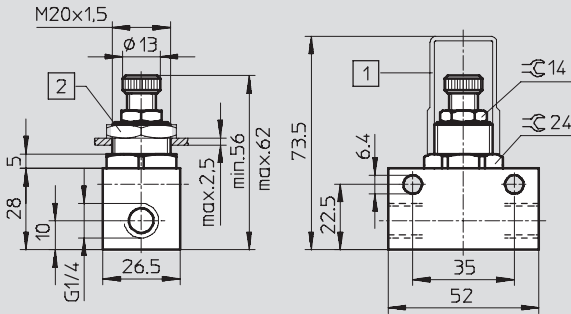
Flow control valves and one-way flow control valves

Technical data – Standard flow control valve with female thread



Dimensions

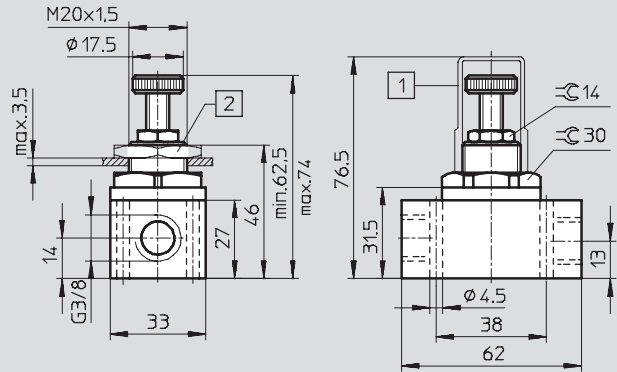
Connecting thread G1/4



- 1 Tamper-proof cap GRK
- 2 Hex nut GRM

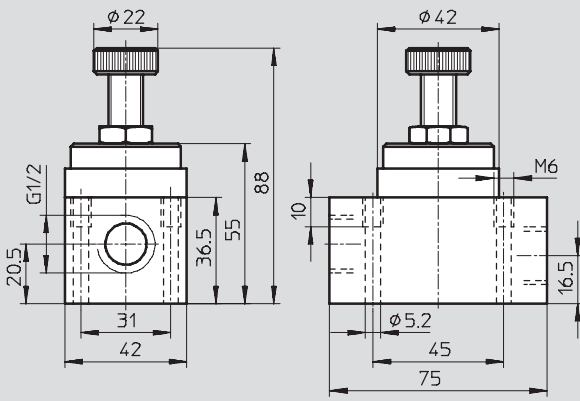
Note: This product conforms with the ISO 1179-1 standard and the ISO 228-1 standard.

Connecting thread G3/8



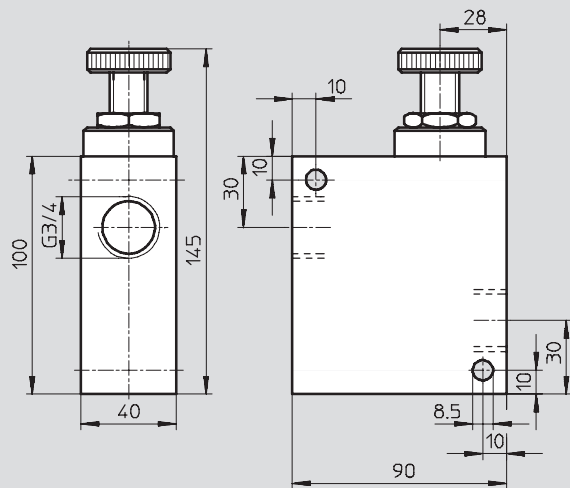
Note: This product conforms with the ISO 1179-1 standard and the ISO 228-1 standard.

Connecting thread G1/2



Note: This product conforms with the ISO 1179-1 standard and the ISO 228-1 standard.

Connecting thread G3/4



Note: This product conforms with the ISO 1179-1 standard and the ISO 228-1 standard.

Ordering data

Version	Connecting thread	One-way flow control function	
		Part No.	Type
	M3	15 899	GR-M3
	M5	151 213	GR-M5-B
	G1/8	151 215	GR-1/8-B
	G1/4	6 509	GRA-1/4-B
	G3/8	6 308	GR-3/8-B
	G1/2	3 720	GR-1/2
	G3/4	2 103	GR-3/4

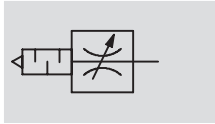
Ordering data for accessories

		For connecting thread M5		For connecting thread G1/8		For connecting thread G1/4, G3/8	
		Part No.	Type	Part No.	Type	Part No.	Type
	Hex nut	6 444	GRM-M5	2 107	GRM-1/8	204 596	GRM-3/8
	Tamper-proof cap	6 436	GRK-M5	2 105	GRK-1/8	6 309	GRK-3/8-B

Flow control valves and one-way flow control valves

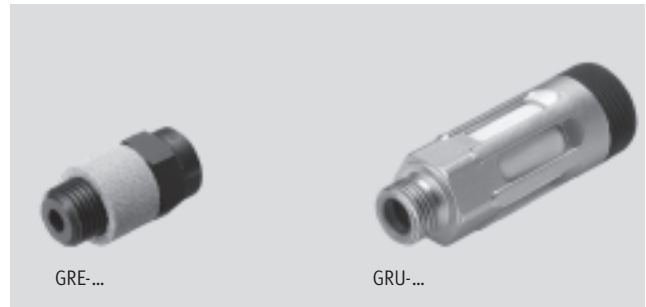
Technical data – Flow control/silencer combinations

Function



Flow control/silencer
GRE, GRU

- Mid flow:
Precision adjustment for average speed
- Adjustment with slotted head screw
- Metal design GRE
- Polymer design GRU



General technical data							
Screw-in thread		G1/8		G1/4		G3/8	
Valve function		Flow control/silencer function					
Setting component		Slotted head screw					
Noise level	GRE	[dB (A)]	85	80	87	90	–
	GRU	[dB (A)]	74	80	74	76	80
Type of mounting		Threaded					
Mounting position		Any					
Max. tightening torque		[Nm]	6	11	20	40	60

Operating and environmental conditions							
Screw-in thread		G1/8		G1/4		G3/8	
Operating medium	GRE	Filtered compressed air, lubricated or unlubricated					
	GRU	Dried and filtered compressed air, lubricated or unlubricated					
Operating pressure		[bar]	0 ... 10				
Temperature of medium		[°C]	–10 ... 70				
Ambient temperature		[°C]	–10 ... 70				

Weights [g]							
Screw-in thread		G1/8		G1/4		G3/8	
	GRE	15		25		50	
	GRU	10		25		55	

Standard flow rate qn [l/min] at 6 bar → 0 bar							
Female thread		G1/8		G1/4		G3/8	
GRE		2 ... 520		2 ... 996		3 ... 2 000	
GRU		0 ... 1000		0 ... 1 500		0 ... 1 700	

Flow, non-return and regulating valves
Flow control valves and one-way flow control valves

Flow control valves and one-way flow control valves

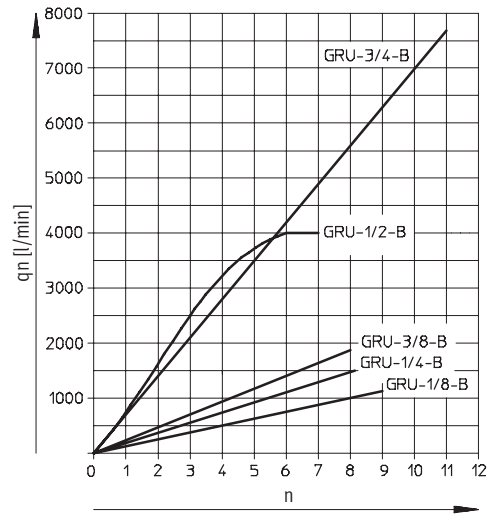
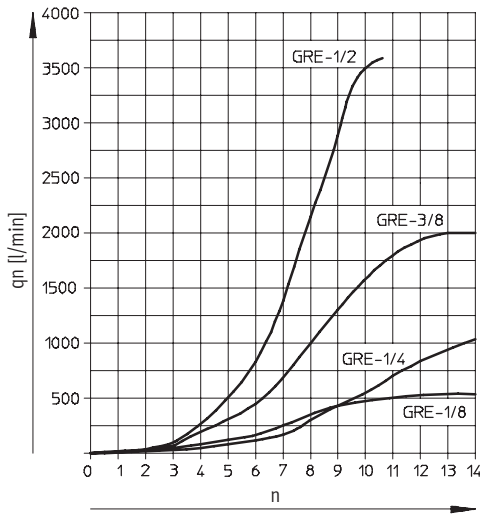
Technical data – Flow control/silencer combinations



Standard nominal flow rate q_{nN} at 6 bar \rightarrow 5 bar as a function of turns of the adjusting screw n

GRE

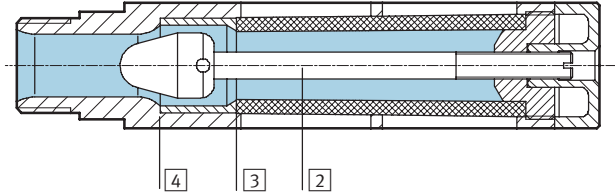
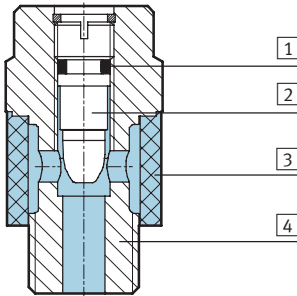
GRU



Materials

Sectional view GRE

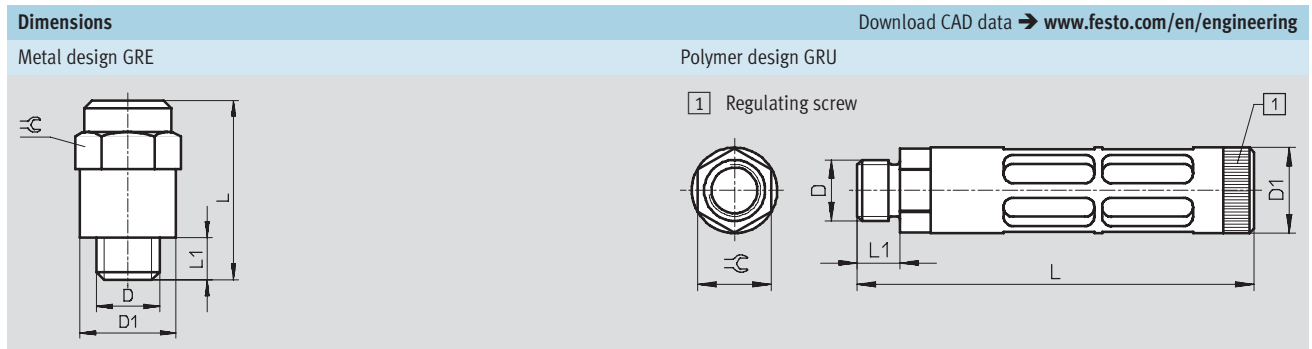
Sectional view GRU



	Metal design GRE	Polymer design GRU
1 Seal	Nitrile rubber	-
2 Regulating screw	Brass	Polyacetal
3 Silencer	Bronze	Polyethylene
4 Housing	Wrought aluminium alloy	Die-cast aluminium



Flow control valves and one-way flow control valves

Technical data – Flow control/silencer combinations



Download CAD data → www.festo.com/en/engineering

Screw-in thread D	D1 ∅	L	L1	☞
GRE				
G ¹ / ₈	15	28.5	6.5	14
G ¹ / ₄	18.2	34	8	17
G ³ / ₈	25	42	8	22
G ¹ / ₂	27	48	12	24
GRU				
G ¹ / ₈	16	46	5.4	14
G ¹ / ₄	19.5	63.3	6.4	17
G ³ / ₈	25	95.3	7.5	19
G ¹ / ₂	28	130	14	24
G ³ / ₄	38	157	16	32

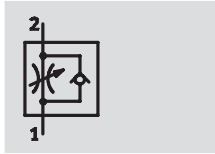
Ordering data										
Version	G ¹ / ₈		G ¹ / ₄		G ³ / ₈		G ¹ / ₂		G ³ / ₄	
	Part No.	Type	Part No.	Type	Part No.	Type	Part No.	Type	Part No.	Type
Metal design										
	10 351	GRE- ¹ / ₈	10 352	GRE- ¹ / ₄	35 310	GRE- ³ / ₈	10 353	GRE- ¹ / ₂	-	
Polymer design										
	9 516	GRU- ¹ / ₈ -B	9 517	GRU- ¹ / ₄ -B	9 518	GRU- ³ / ₈ -B	9 519	GRU- ¹ / ₂ -B	9 520	GRU- ³ / ₄ -B

Flow control valves and one-way flow control valves

Technical data – Standard flow control valve for M5 compact system



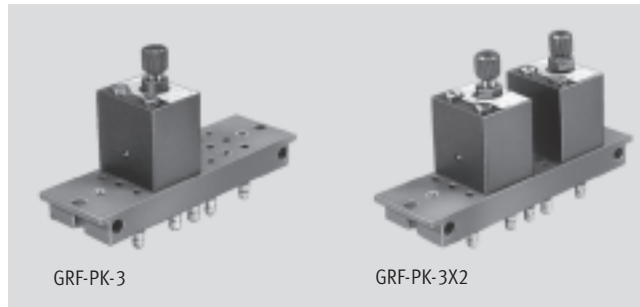
Function



- Low flow:
Precision adjustment for low speed
- Adjustment with knurled screw

One-way flow control

GRF-PK



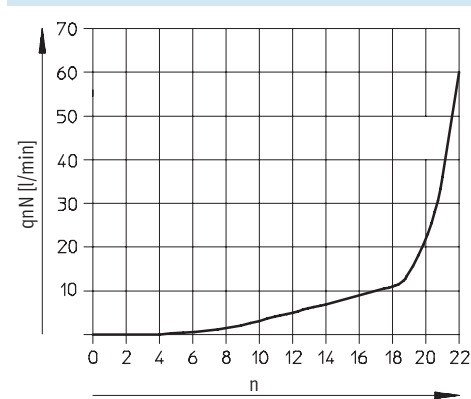
General technical data		
Type	GRF-PK-3	GRF-PK-3X2
Valve function	One-way flow control function	
Pneumatic connection	Barbed fitting PK-3	Barbed fitting PK-3
Setting component	Knurled screw	
Type of mounting	Via through-holes	
Mounting position	Any	
Max. tightening torque [Nm]	6	11

Operating and environmental conditions		
Type	GRF-PK-3	GRF-PK-3X2
Operating medium	Filtered compressed air, lubricated or unlubricated	
Operating pressure [bar]	0.5 ... 8	
Temperature of medium [°C]	-10 ... 60	
Ambient temperature [°C]	-10 ... 60	

Weights [g]		
Type	GRF-PK-3	GRF-PK-3X2
	95	145

Standard nominal flow rate q_{nN} [l/min] at 6 bar \rightarrow 5 bar		
Type	GRF-PK-3	GRF-PK-3X2
GRF	0 ... 45	0 ... 45

Standard nominal flow rate q_{nN} [l/min] at 6 bar \rightarrow 5 bar as a function of turns of the adjusting screw n

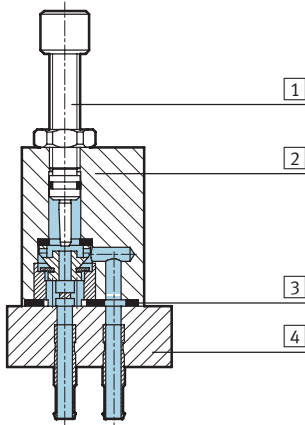


Flow control valves and one-way flow control valves

Technical data – Standard flow control valve for M5 compact system

Materials

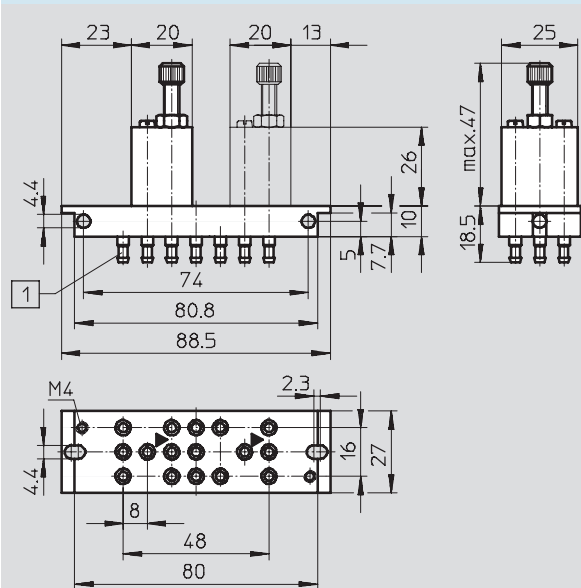
Sectional view



Flow control valve		
1	Regulating screw	Brass
2	Housing	Corrosion resistant cast steel
3	Seals	Nitrile rubber
4	Sub-base	Polyamide

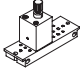
Dimensions

GRF-PK-3/GRF-PK-3X2



1 Barbed fitting PK-3

Ordering data

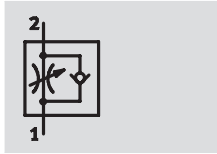
Version	For tubing I.D. [mm]	One-way flow control valve		Two one-way flow control valves	
		Part No.	Type	Part No.	Type
	3	4 565	GRF-PK-3	4 566	GRF-PK-3X2

Flow control and one-way flow control valves

Technical data – Precision flow control valve on sub-base



Function



One-way flow control valve
GRP



Flow control valve, operative in both
directions
GRPO

- Low flow:
Precision adjustment for low speed
- Adjustment via rotary knob



General technical data		
Type	GRP/GRPO-70-1/8-AL	GRP/GRPO-160-1/8-AL
Valve function	GRP	One-way flow control function
	GRPO	Bi-directional flow control function
Pneumatic connection	G 1/8	
Means of setting	Rotary knob	
Type of mounting	On sub-base	
Installation position	Any	
Type of actuation	Manual	

• † - Note: This product conforms with the ISO 1179-1 standard and the ISO 228-1 standard.

Operating and environmental conditions		
Type	GRP/GRPO-70-1/8-AL	GRP/GRPO-160-1/8-AL
Operating medium	Filtered compressed air, lubricated or unlubricated, neutral gases	
Operating pressure	[bar]	0 ... 8
Operating pressure 2 → 1	[bar]	GRP: 0 ... 8, GRPO: 0 ... 0.5
Temperature of medium	[°C]	-10 ... 50
Ambient temperature	[°C]	-10 ... 50

Weight [g]		
Type	GRP/GRPO-70-1/8-AL	GRP/GRPO-160-1/8-AL
	110	110

Standard flow rate q _n [l/min] 1 bar → 0 bar		
Type	GRP/GRPO-70-1/8-AL	GRP/GRPO-160-1/8-AL
GRP	D ¹⁾	0 ... 19
	R ²⁾	20 ... 60
GRPO	D ¹⁾	0 ... 19

1) D: Flow control direction

2) R: Non-return direction

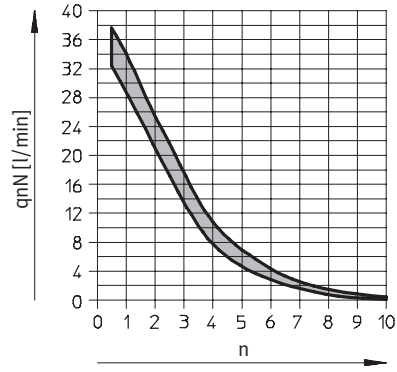
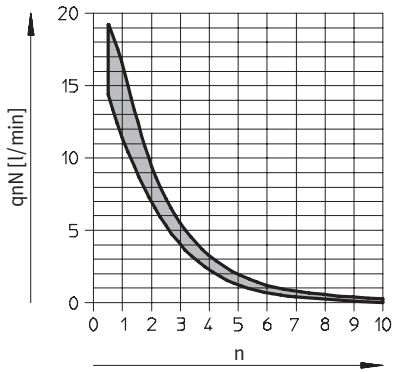
Flow control and one-way flow control valves

Technical data – Precision flow control valve

Standard flow rate q_N [l/min] 1 bar \rightarrow 0 bar as a function of turns of the adjusting screw n

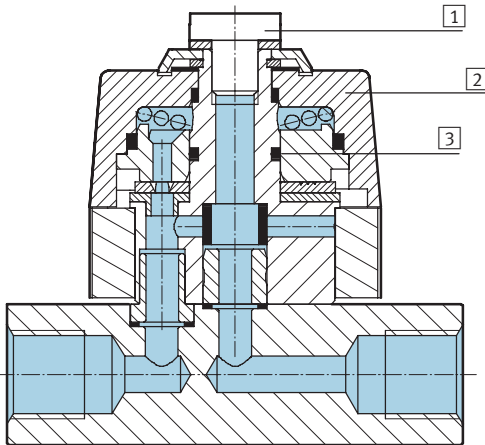
GRP/GRPO-70-1/8-AL

GRP/GRPO-160-1/8-AL



Materials

Sectional view



Flow control valve

1	Locking screw	Brass
2	Rotary knob	Reinforced polyamide
3	Seals	Nitrile rubber

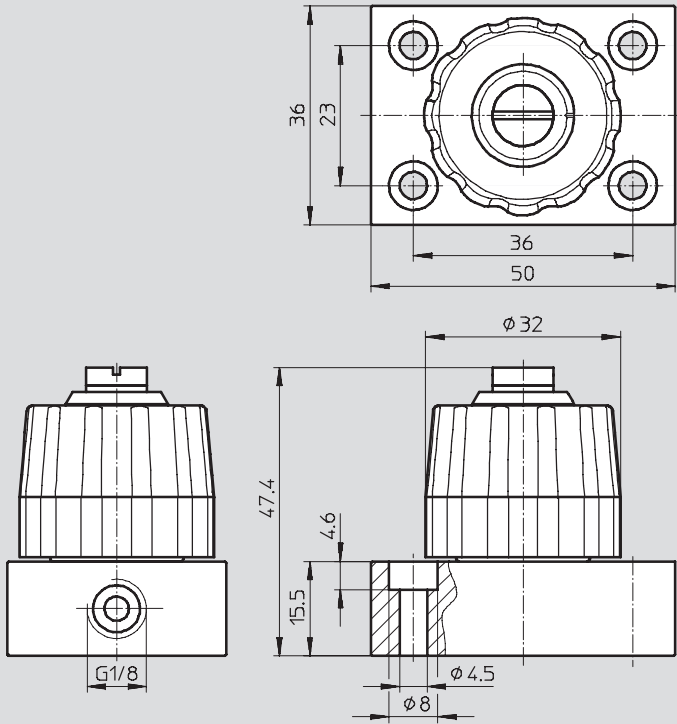
Flow control and one-way flow control valves

Technical data – Precision flow control valve



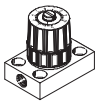
Dimensions

Download CAD data → www.festo.com/en/engineering



Note: This product conforms with the ISO 1179-1 standard and the ISO 228-1.

Ordering data

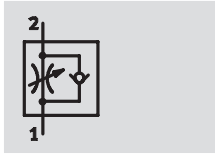
Version	One-way flow control valve		Bi-directional flow control valve	
	Part No.	Type	Part No.	Type
	542 022	GRP-70-1/8-AL	542 024	GRPO-70-1/8-AL
	542 023	GRP-160-1/8-AL	542 025	GRPO-160-1/8-AL

Flow, non-return and regulating valves
Flow control valves and one-way flow control valves

Flow control and one-way flow control valves

Technical data – Precision flow control valve for front panel mounting

Function



One-way flow control valve
GRP



Flow control valve, operative in both directions
GRPO

- Low flow:
Precision adjustment for low speed
- Adjustment via rotary knob



General technical data				
Type		GRP/GRPO-10-PK-3	GRP/GRPO-70-PK-3	GRP/GRPO-160-PK-4
Valve function	GRP	One-way flow control function		
	GRPO	Bi-directional flow control function		
Pneumatic connection		Barbed connector PK-3	Barbed connector PK-3	Barbed connector PK-4
Means of setting		Rotary knob		
Type of mounting		Front panel mounting or on sub-base		
Installation position		Any		

Operating and environmental conditions				
Type		GRP/GRPO-10-PK-3	GRP/GRPO-70-PK-3	GRP/GRPO-160-PK-4
Operating medium		Filtered compressed air, lubricated or unlubricated, neutral gases		
Operating pressure	[bar]	0 ... 6		
Operating pressure 2 → 1	[bar]	GRP: 0 ... 8, GRPO: 0 ... 0.5		
Temperature of medium	[°C]	-10 ... 50		
Ambient temperature	[°C]	-10 ... 50		

Weight [g]				
Type		GRP/GRPO-10-PK-3	GRP/GRPO-70-PK-3	GRP/GRPO-160-PK-4
		48	48	48

Standard flow rate qn [l/min] 1 bar → 0 bar				
GRP	D ¹⁾	0 ... 1.7	0 ... 19	0 ... 38
	R ²⁾	15 ... 50	20 ... 60	25 ... 90
GRPO	D ¹⁾	0 ... 1.7	0 ... 19	0 ... 38

1) D: Flow control direction
2) R: Non-return direction

Flow control and one-way flow control valves

Technical data – Precision flow control valve

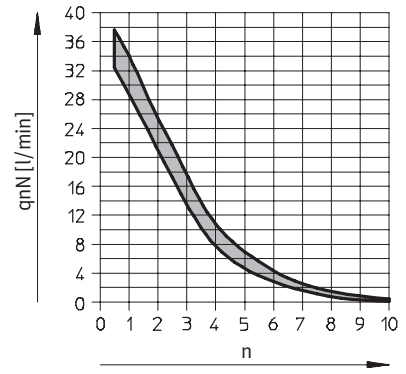
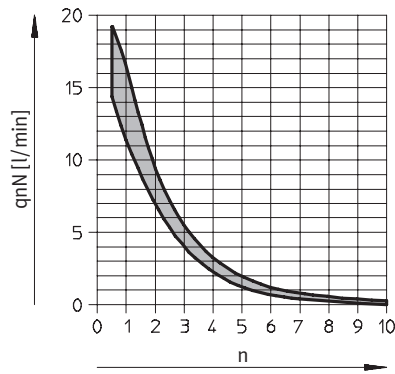
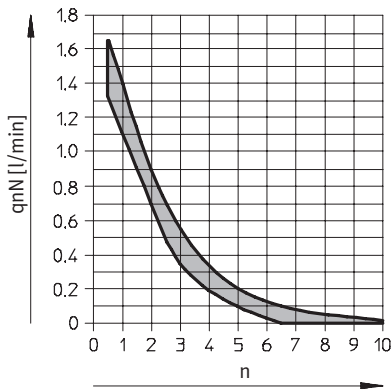


Standard flow rate q_N [l/min] 1 bar \rightarrow 0 bar as a function of turns of the adjusting screw n

GRP/GRPO-10-PK-3

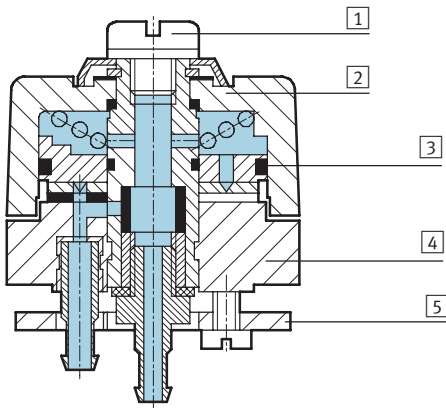
GRP/GRPO-70-PK-3

GRP/GRPO-160-PK-4



Materials

Sectional view



Flow control valve		
1	Locking screw	Brass
2	Rotary knob	Reinforced polyamide
3	Seals	Nitrile rubber
4	Back plate	Wrought aluminium alloy
5	Mounting plate	Wrought aluminium alloy

Flow control and one-way flow control valves

Technical data – Precision flow control valve



Dimensions Download CAD data → www.festo.com/en/engineering

	Mounting aperture	Ports
<p style="text-align: center;">$\phi 32$</p> <p style="text-align: center;">$\phi 30$</p> <p style="text-align: center;">$X = 1.5 \dots 10 \text{ mm}$</p>	<p style="text-align: center;">22.5</p> <p style="text-align: center;">2.2</p> <p style="text-align: center;">24</p>	<p style="text-align: center;">2</p> <p style="text-align: center;">1</p> <p style="text-align: center;">1 → 2 Flow control direction 2 → 1 Non-return direction</p>

Ordering data					
Version	For tubing I.D. [mm]	One-way flow control function		Bi-directional flow control function	
		Part No.	Type	Part No.	Type
	3	12 743	GRP-10-PK-3	13 229	GRPO-10-PK-3
		10 802	GRP-70-PK-3	10 803	GRPO-70-PK-3
	4	12 961	GRP-160-PK-4	13 230	GRPO-160-PK-4

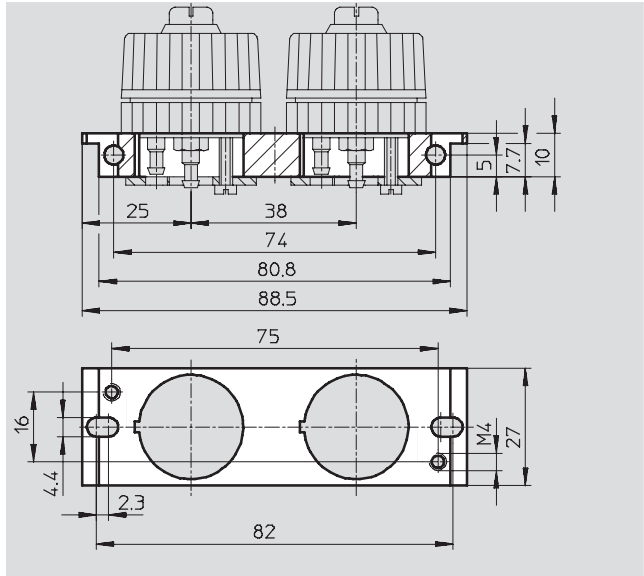
Flow control and one-way flow control valves

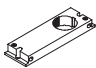
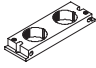
Accessories – Precision flow control valve



Mounting plate APL-2N-GRP
for precision flow control valves

Material:
Polyamide

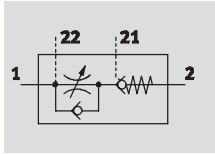


Ordering data					
	For no. of flow control valves	Hole Ø [mm]	Product weight [g]	Part No.	Type
	1	22.5	16	10 391	APL-2N-GRP
	2	2 x 22.5	22	10 392	APL-2N-GRP X2

Functional combination GRXA-HG

Technical data

Function



Functional combination with one-way flow control valve and piloted non-return valve

- Holding function and speed setting in one housing
- QS push-in fittings
- Adjustment via slotted head screw
- Additional pilot port 1 for interlinking with a second unit at port 21



General technical data		
Screw-in thread	G1/8	G1/4
Valve function	One-way flow control function for exhaust air and additional piloted non-return valve	
Setting component	Slotted head screw	
QS push-in fittings for tubing O.D. [mm]	4; 6	6; 8
Type of mounting	Screw in via male thread	
Assembly position	Any	
Max. tightening torque [Nm]	5.5	11

Operating and environmental conditions		
Screw-in thread	G1/8	G1/4
Operating medium / pilot medium	Dried air, lubricated or unlubricated, grade of filtration 40 µm	
Operating pressure [bar]	0.5 ... 10	
Pilot pressure [bar]	2 ... 10	
Storage temperature [°C]	-10 ... +40	
Ambient temperature [°C]	-10 ... +60	
Temperature of medium [°C]	-10 ... +60	

Weights		
Screw-in thread / push-in fitting	G1/8	G1/4
[g]	27	58

Note

The GRXA-HG product family and all of its design variants must ONLY be used in safety-relevant applications in combination with additional measures detailed in EN 954-1.

A supplementary risk analysis by the user/designer is essential. The instructions and notices on the enclosed product leaflets must be observed.

Functional combination

Technical data



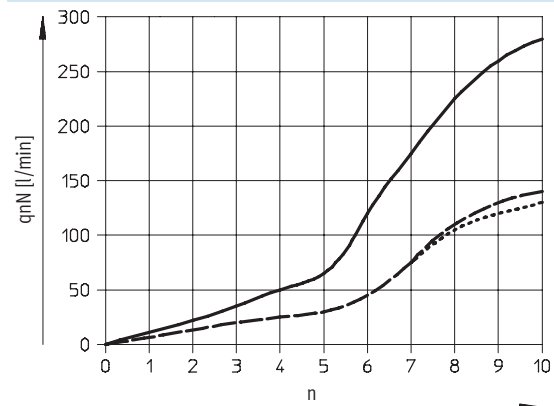
Standard nominal flow rate q_{nN} [l/min] at 6 bar \rightarrow 5 bar				
Screw-in thread		$G\frac{1}{8}$	$G\frac{1}{4}$	
One-way flow control function for exhaust air and piloted non-return valve				
GRXA-HG	QS-4	D ¹⁾	130	–
		R ²⁾	100 ... 140	–
		B ³⁾	100 ... 140	–
	QS-6	D	140	280
		R	115 ... 165	200 ... 260
		B	120 ... 160	180 ... 140
	QS-8	D	–	280
		R	–	200 ... 280
		B	–	190 ... 260

- 1) D: Flow control direction
- 2) R: Non-return direction
- 3) B: Non-return direction actuated

Standard flow rate q_n [l/min] at 6 bar \rightarrow 0 bar				
Screw-in thread		$G\frac{1}{8}$	$G\frac{1}{4}$	
One-way flow control function for exhaust air and piloted non-return valve				
GRXA-HG	QS-4	D ¹⁾	210	–
		R ²⁾	230 ... 260	–
		B ³⁾	220 ... 250	–
	QS-6	D	280	430
		R	270 ... 300	430 ... 490
		B	260 ... 300	410 ... 470
	QS-8	D	–	470
		R	–	460 ... 520
		B	–	440 ... 500

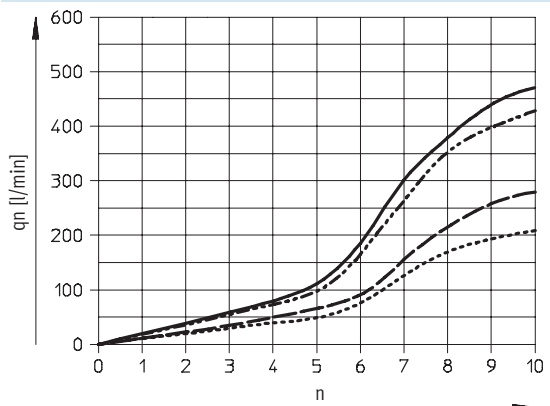
- 1) D: Flow control direction
- 2) R: Non-return direction
- 3) B: Non-return direction actuated

Standard nominal flow rate q_{nN} at 6 bar \rightarrow 5 bar as a function of turns of the adjusting screw n
One-way flow control valve



- GRXA-HG-1/4-QS-8
- - GRXA-HG-1/4-QS-6
- GRXA-HG-1/8-QS-6
- · - · GRXA-HG-1/8-QS-4

Standard flow rate q_n at 6 bar \rightarrow 0 bar as a function of turns of the adjusting screw n
One-way flow control valve



- GRXA-HG-1/4-QS-8
- - GRXA-HG-1/4-QS-6
- GRXA-HG-1/8-QS-6
- · - · GRXA-HG-1/8-QS-4

Flow, non-return and regulating valves
Flow control valves and one-way flow control valves

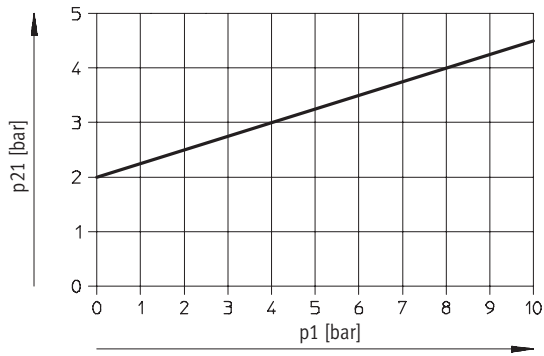
5.6

Functional combination

Technical data

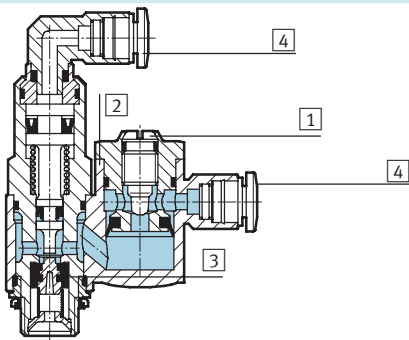
Minimum pilot pressure as a function of operating pressure

Non-return valve, piloted



Materials

Sectional view



Functional combination

1	Adjusting screw	Stainless steel
2	Rotatable connection	Die-cast zinc
3	Seal	Nitrile rubber
4	Release ring	Polyacetate

Functional combination

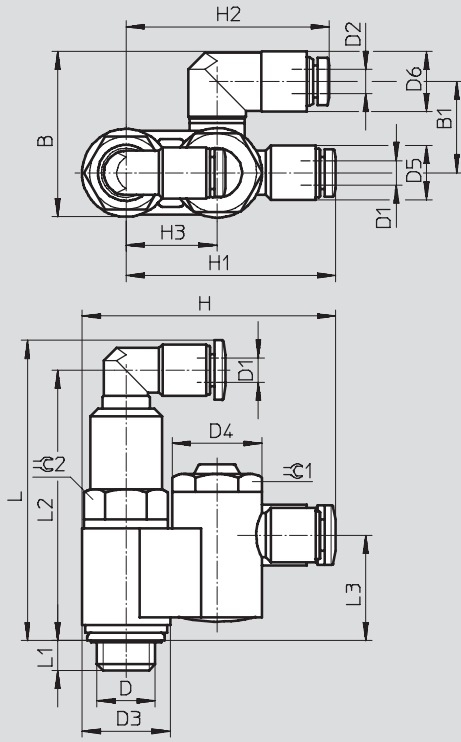
Technical data



Dimensions

Download CAD data → www.festo.com/en/engineering

Rotatable connection, elbow outlet, slotted head screw



Pneumatic connection D	B	B1	D1 ∅	D2 ∅	D3	D4 ∅	D5 ∅	D6	H	H1	H2	H3	L	L1	L2	L3	≈C 1	≈C 2
G ¹ / ₈	27.3	15	4	4	14.5	14.8	9	10	41.8	34.5	33.5	15	49.5	4.9	44.6	17.4	13	12
	30.8	17.3		6				12.5			34.5							
G ¹ / ₄	35.3	19.5	4	6	19	19	9	12.5	52.2	42.7	40.5	21	56.3	5.6	51.4	21.1	17	16
	39.5	21.5		8				17			48.7							

Ordering data

Design	Screw-in thread	For tubing Outside	Part No.	Type
		[mm]		
	G ¹ / ₈	4	525 667	GRXA-HG- ¹ / ₈ -QS-4
		6	525 668	GRXA-HG- ¹ / ₈ -QS-6
	G ¹ / ₄	6	525 669	GRXA-HG- ¹ / ₄ -QS-6
		8	525 670	GRXA-HG- ¹ / ₄ -QS-8

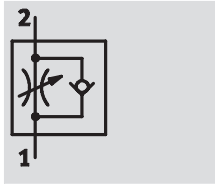
Flow, non-return and regulating valves
Flow control valves and one-way flow control valves

5.6

One-way flow control valves VFOC

Technical data

Function



One-way flow control valve

- QS push-in connection
- Adjustment via slotted head screw
- Push-in sleeve for QS push-in fittings
- Exhaust air flow control



General technical data		
Push-in connector	QS-4	QS-6
Valve function	One-way flow control function for exhaust air	
Adjusting facility	Slotted head screw	
QS push-in connectors for tubing O.D. [mm]	4	6
Type of mounting	Push-in sleeve	
Mounting position	Any	

Operating and environmental conditions		
Push-in connector	QS-4	QS-6
Operating medium / pilot medium	Dried air, lubricated or unlubricated, grade of filtration 40µm	
Operating pressure [bar]	0.2 ... 10	
Storage temperature [°C]	-10 ... +40	
Ambient temperature [°C]	-10 ... +60	
Temperature of medium [°C]	-10 ... +60	

Weight		
Push-in connector	QS-4	QS-6
Weight [g]	9.2	21.6

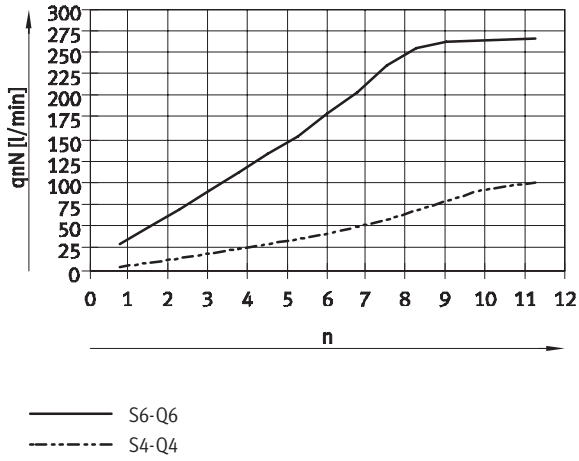
Standard nominal flow rate qnN [l/min] at 6 bar → 5 bar		
Push-in connector	QS-4	QS-6
Flow control direction	See graph	See graph
Non-return direction	60 ... 100	170 ... 260

Standard flow rate qn [l/min] at 6 bar → 0 bar		
Push-in connector	QS-4	QS-6
Flow control direction	See graph	See graph
Non-return direction	130 ... 160	330 ... 400

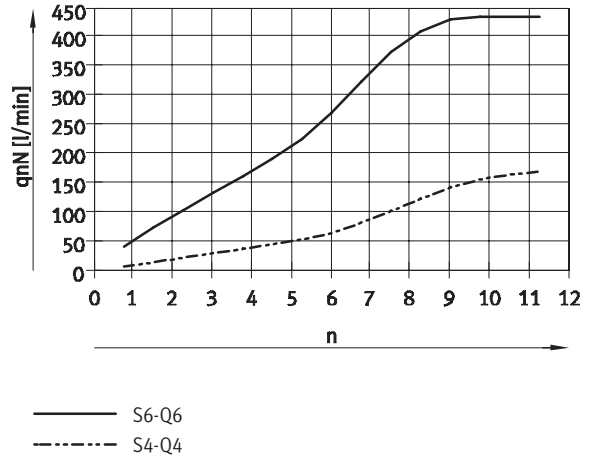
One-way flow control valves VFOC

Technical data

Standard nominal flow rate q_{nN} at 6 bar \rightarrow 5 bar as a function of turns of the adjusting screw n

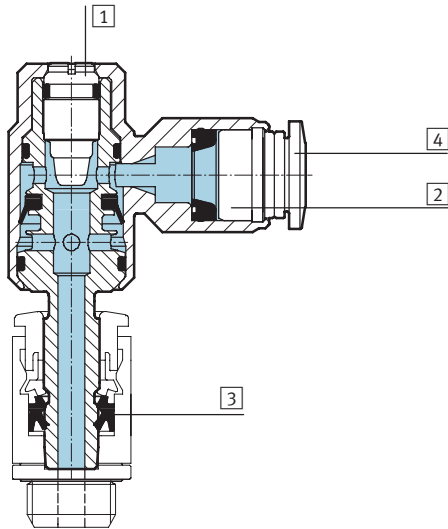


Standard flow rate q_n at 6 bar \rightarrow 0 bar as a function of turns of the adjusting screw n




Materials

Sectional view



One-way flow control valve		
1	Adjusting screw	Stainless steel
2	Rotatable connection	Die-cast zinc
3	Seal	Nitrile rubber
4	Release ring	Polyacetate

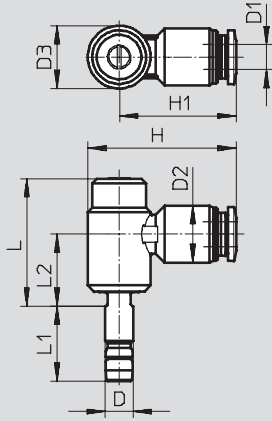
 **Note**
 The push-in sleeves of the one-way flow control valves VFOC are exclusively matched to QS fittings from Festo,
 → www.festo.com/catalogue
 This combination alone guarantees a secure fit in the push-in fitting.

One-way flow control valves VFOC

Technical data

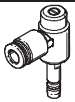
Dimensions

Download CAD data → www.festo.com/en/engineering



Type	D	D1	D2 Ø	D3 Ø	H	H1	L	L1	L2
VFOC-E-S4-Q4	S4	QS-4	8.9 ±0.07	10 ±0.2	24.3	20.3	23.2	14.8	13.2
VFOC-E-S6-Q6	S6	QS-6	13.8 ±0.07	12.5 ±0.2	32.6	25.7	28	16.5	15.8

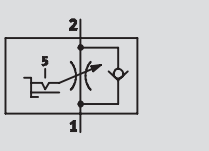
Ordering data

Design	Push-in connector	For tubing O.D.	Part No.	Type
		[mm]		
	QS-4	4	540 362	VFOC-E-S4-Q4
	QS-6	6	540 363	VFOC-E-S6-Q6

One-way flow control valves GRLSA

Technical data

Function



One-way flow control valve with 5 selectable flow control ranges

- QS push-in fittings
- 5 flow control ranges selectable via a rotary switch
- Continuous precision adjustment via internal hex on a reference scale marked with 30 degrees (10 positions)
- Exhaust air flow control



General technical data

Screw-in thread	G1/8
Valve function	One-way flow control function for exhaust air
Means of adjustment	Internal hex
Actuation type	Manual
Type of mounting	Screw-in
Mounting position	Any
Special features	Freely rotatable around the screw-in axis after installation
Max. tightening torque [Nm]	5.5

Operating and environmental conditions

Screw-in thread	G1/8
Operating/control medium	Dried air, lubricated or unlubricated, grade of filtration 40 µm
Operating pressure [bar]	0.2 ... 10
Storage temperature [°C]	-10 ... +40
Ambient temperature [°C]	-10 ... +60
Temperature of medium [°C]	-10 ... +60
Pneumatic connection 2	G1/8
Pneumatic connection 1	QS-6

Weight

Screw-in thread	G1/8
Weight [g]	19.5

Standard nominal flow rate q_{nN} at 6 bar → 5 bar

Screw-in thread	G1/8
Flow control direction [l/min]	0 ... 250
Non-return direction [l/min]	180 ... 310

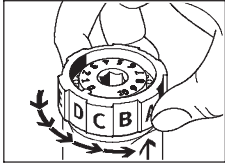
Standard flow rate q_n at 6 bar → 0 bar

Screw-in thread	G1/8
Flow control direction [l/min]	0 ... 410
Non-return direction [l/min]	430 ... 540

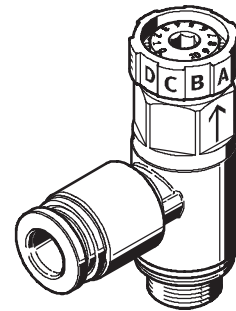
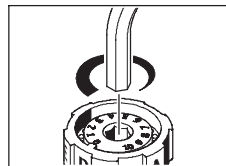
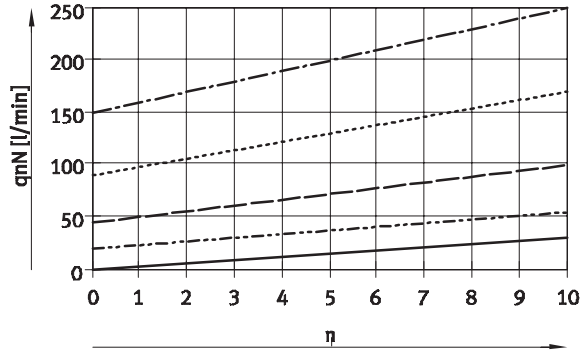
One-way flow control valves GRLSA

Technical data

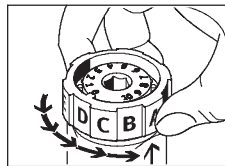
Standard nominal flow rate q_{nN} at 6 bar \rightarrow 5 bar as a function of spindle swivel angle $n = 300$ degrees



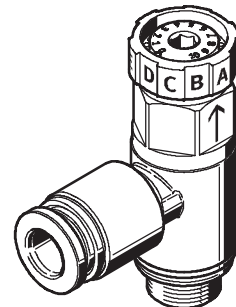
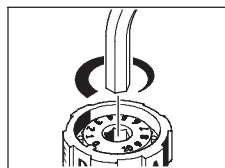
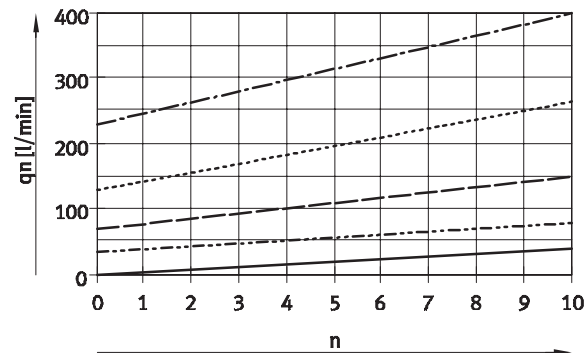
- Setting: A
- - - Setting: B
- — — Setting: C
- · · · · Setting: D
- · - · - Setting: E



Standard flow rate q_n at 6 bar \rightarrow 0 bar as a function of spindle swivel angle $n = 300$ degrees



- Setting: A
- - - Setting: B
- — — Setting: C
- · · · · Setting: D
- · - · - Setting: E

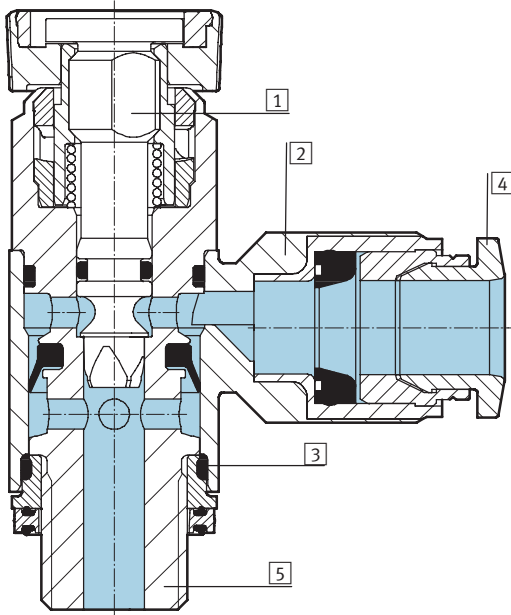


One-way flow control valves GRLSA

Technical data

Materials

Sectional view

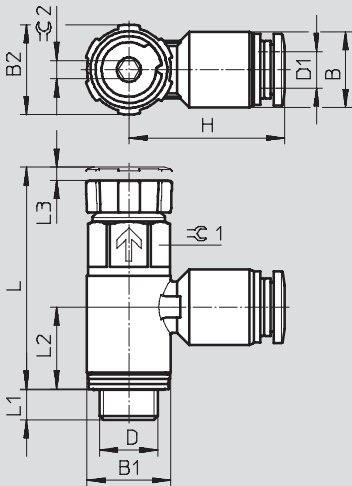


One-way flow control valve

1	Regulating screw	Reinforced polyamide
2	Swivel connection	Die-cast zinc
3	Seal	Nitrile rubber
4	Release ring	Polyacetate
5	Hollow bolt	Wrought aluminium alloy, anodised
		Free of copper and PTFE


Dimensions

Download CAD data → www.festo.com/en/engineering



Type	D	D1	B	B1	B2	H	L	L1	L2	L3	≈ 1	≈ 2
GRLSA-1/8-QS-6	G1/8	6	12.5	13.8	15	25.7	36.6	5.1	13.6	2	12	3

Ordering data

Design	Screw-in thread	QS	Part No.	Type
		[mm]		
	G1/8	6	540 661	GRLSA-1/8-QS-6