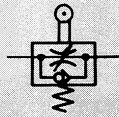


Mechanically Actuated In-line Flow Controls

Cam Operated Flow Control, G 1/8 ISO

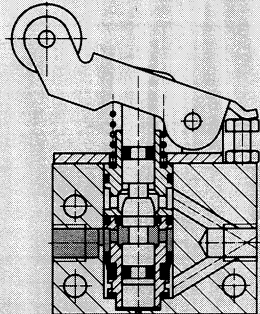
Cam Operated Flow Control Valve

Type GG-1/8
GGO-1/8

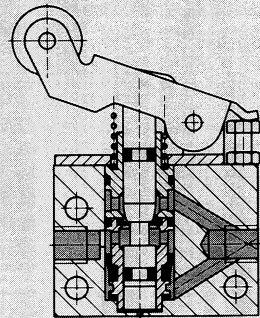


With Roller Lever and Adjustable Initial Flow Setting.

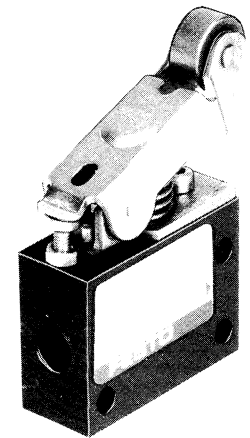
In Type GG, the needle valve is gradually opened by depressing the roller lever.



In Type GGO, the needle valve is gradually closed by depressing the roller lever.



Full free flow through the check valve is independent of initial roller lever position.



These valves are used to adjust flow when operated by the movement of a single-acting or double-acting cylinder.

The flow is adjusted with an adjustment screw and is then decreased or increased (depending on the valve) by depressing the roller lever. Flow is infinitely variable within the actuation range and can be varied by the design of the control cam.

The arrows on the nameplate indicate the direction of controlled flow.

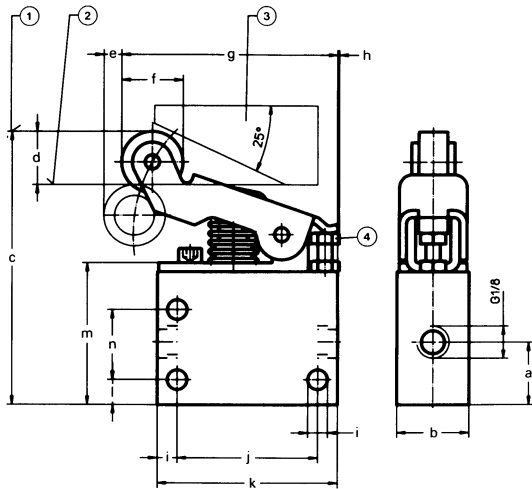
Dimensions: see page 813.

Order Number	Part No./Type	10890 GG-1/8	10891 GGO-1/8
Medium		Compressed air (filtered, lubricated or unlubricated)	
Mounting		Holes through housing	
Connection		G 1/8 ISO	
Orifice Size	Controlled Flow	0.16 in / 4 mm	
	Free Flow	0.16 in / 4 mm	
C _v Factor	Controlled Flow	0-0.28 C _v / 0-280 l/min	
	Free Flow	0.24 C _v / 240 l/min	
Pressure Range*		4.5-150 psi / 0.3-10 bar	
Operating Force at 90 psi / 6 bar		2.25 lbf / 10 N	
Design		Needle valve with check valve and roller lever	
Materials		Housing: Al, blue anodized. Seals: Buna N.	
Weight		0.838 lb / 0.380 kg	0.882 lb / 0.400 kg

* 14° to 140°F / -10° to +60°C

Dimensions

Type GG-1/8
GGO-1/8

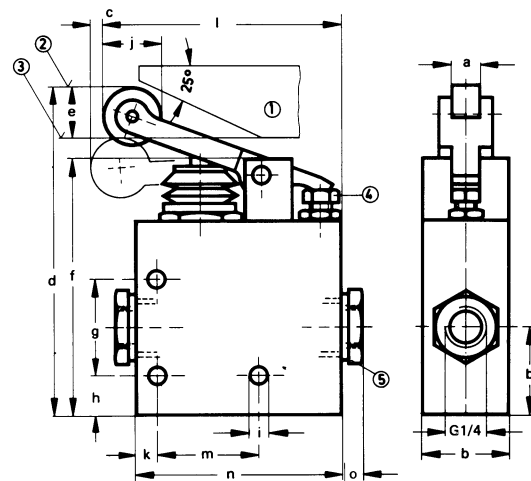


Dimensions

a	0.69 in / 17.5 mm
b	1.54 in / 39 mm
c	1.97 in / 50 mm
d	0.58 in / 14.8 mm
e	0.20 in / 5 mm
f	0.67 in / 17 mm
g	2.36 in / 60 mm
h	0.02 in / 0.5 mm
i	0.22 in / 5.5 mm
j	1.54 in / 39 mm
k	1.97 in / 50 mm
l	0.28 in / 7 mm
m	1.56 in / 39.5 mm
n	0.77 in / 19.5 mm

- ① Idle position
- ② Actuating position
- ③ Cam
- ④ Adjustment screw for pre-set control of flow

Type GG-1/4-3/8
GGO-1/4-3/8



Dimensions

a	0.32 in / 8 mm
b	0.98 in / 25 mm
c	0.14 in / 3.5 mm
d	3.74 in / 95 mm
e	0.59 in / 15 mm
f	2.92 in / 74 mm
g	1.10 in / 28 mm
h	0.43 in / 11 mm
i	0.25 in / 6.4 mm
j	0.67 in / 17 mm
k	0.24 in / 6 mm
l	2.74 in / 69.5 mm
m	1.18 in / 30 mm
n	2.40 in / 60 mm
o	0.24 in / 6 mm

- ① Cam
- ② Idle position
- ③ Actuating position
- ④ Adjustment screw for pre-set control of flow
- ⑤ Reducing nipple D-1/4 i-3/8 a

NOTE:

The 0.59 + 0.20 in / 15 + 5 mm roller lever travel distance also includes pre-set control travel.