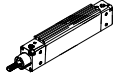
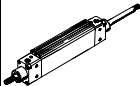


Flat cylinders DZH - Inch Series

Product range overview

Function	Design	Type	Piston \varnothing	Standard stroke	Variable stroke
			[in]	[in]	[in]
Double-acting		DZH	5/8	1, 2, 3, 4, 5, 6, 8	0.04 ... 8
			3/4	1, 2, 3, 4, 5, 6, 8, 10, 12	0.04... 13
			1	1, 2, 3, 4, 5, 6, 8, 10, 12	0.04... 20
			1-1/4, 1-5/8, 2, 2-1/2	1, 2, 3, 4, 5, 6, 8, 10, 12	0.04... 40
		DZH-...-S2 Through piston rod	5/8	-	0.04... 8
			3/4	-	0.04... 13
			1	-	0.04... 20
			1-1/4, 1-5/8, 2, 2-1/2	-	0.04... 40

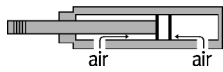
Type	Magnet for position sensing	Piston rod		Non-rotating	Hollow piston rod	Heat resistant seals up to 302 °F
		with female thread	with male thread		S2	S6
DZH Single-ended piston rod	■	-	■	■	-	■
DZH-...-S2 Through piston rod	■	-	■	■	-	-

Flat cylinders DZH - Inch Series

Data sheet

FESTO

Double-acting

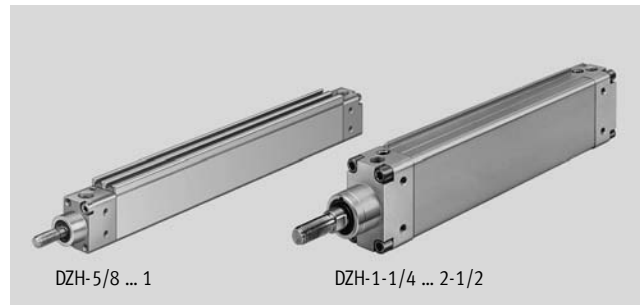


Options:

- Non rotating
- Through piston rod (S2)
- Heat resistant variant (S6)

∅ - Diameter
5/8 ... 2-1/2 inch

- | - Stroke length
0.4 ... 40 inch



Design							
Piston ∅	5/8	3/4	1	1-1/4	1-5/8	2	2-1/2
Pneumatic connection	10-32 UNF	1/8 NPT"	1/8 NPT"	1/8 NPT"	1/4 NPT"	1/4 NPT"	3/8 NPT"
End of piston rod Male thread	10-32 UNF	5/16-24 UNF	3/8-24 UNF	3/8-24 UNF	1/2-20 UNF	5/8-18 UNF	5/8-18 UNF
Operating medium	Filtered compressed air, lubricated or unlubricated						
Constructional design	Piston						
	Piston rod						
Protection against torsion	Oval piston						
Cushioning	Adjustable at both ends						
Cushioning length [in]	0.55	0.67	0.67	0.75	0.83	0.91	0.23
Magnet for position sensing ¹⁾	Standard						

1) Position sensing via magnetic proximity sensor (ordered separately, see accessories).

Operating pressure [psi]							
Piston ∅	5/8	3/4	1	1-1/4	1-5/8	2	2-1/2
	14.5 ... 145			9 ... 145			

Ambient conditions		
Variant	Basic version	S6
Ambient temperature ¹⁾ [°F]	-4 ... +176	32 ... +302
Corrosion resistance class CRC ²⁾	2	2

1) Observe operating range of proximity sensors.

2) Corrosion resistance class 2 according to Festo standard 940 070

Components with moderate corrosion resistance for use in normal industrial environments subjected to contact with coolants or lubricating agents.

Flat cylinders DZH - Inch Series

Data sheet

Forces [lbf] and torques [ft-lbf]							
Piston Ø	5/8	3/4	1	1-1/4	1-5/8	2	2-1/2
Theoretical force at 90 psi, advancing		27.2	42.3	66.3	108.6	169.5	264.8
	S2	23.4	35.5	55.5	93.3	142.3	222.3
Theoretical force at 90 psi, retracting		23.4	35.5	55.5	93.3	142.3	222.3
	S2	23.4	35.5	55.5	93.3	142.3	222.3
Max. torque at the piston rod ¹⁾		0.55	0.66	0.89	1.11	1.33	1.88

1) The max. torque must also be observed when fitting mounting attachments to the piston rod.

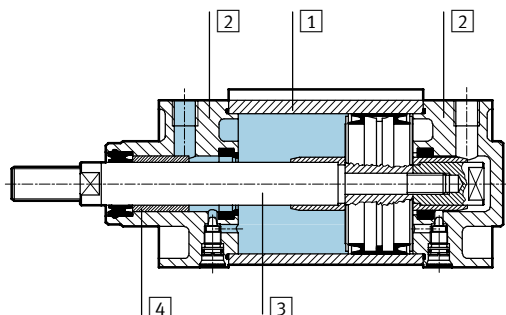
Weights [oz]							
Piston Ø	5/8	3/4	1	1-1/4	1-5/8	2	2-1/2
Product weight at 0 inch stroke	4.9	8.1	11.6	17.6	29.0	42.3	59.6
Additional weight per 1 inch stroke	1.0	1.3	1.9	2.7	3.6	5.4	7.1

Minimum stroke length [inch] for magnetic position sensing with one proximity sensor								
Piston Ø	1-1/4		1-5/8		2		2-1/2	
SMEO-1/SMTO-1								
Plug	0.4							
Cable								

Minimum stroke length [inch] for magnetic position sensing with two proximity sensors								
Piston Ø	1-1/4		1-5/8		2		2-1/2	
SMEO-1								
Plug	outlet towards caps	3.4	3.4	3.5	3.6			
	outlet towards center	1.8	1.9	1.9	2.0			
Cable	outlet towards caps	2.5	2.5	2.6	2.7			
	outlet towards center	1.9	2.0	2.0	2.1			
SMTO-1								
Plug	outlet towards caps	4.1	4.2	4.2	4.2			
	outlet towards center	not possible as the plug would cover the pneumatic port						
Cable	outlet towards caps	3.2	3.3	3.3	3.4			
	outlet towards center	0.7	0.8	0.8	0.9			

Materials

Sectional view



Cylinder	Basic version	S6
1 Cylinder barrel	Anodized aluminum	Anodized aluminum
2 Bearing end cap	Aluminum	Aluminum
3 Piston rod	Ø 5/8 ... 1	Stainless steel
	Ø 1-1/4 ... 2-1/2	High-alloy steel
4 Dynamic seals	Polyurethane	Fluorocarbon rubber

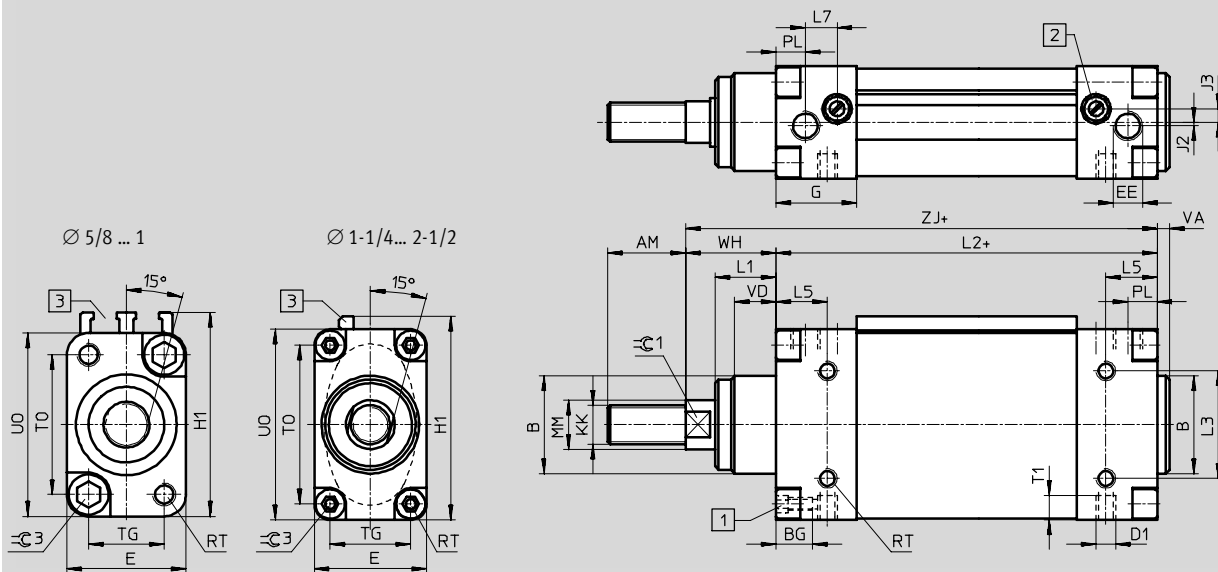
Flat cylinders DZH - Inch Series

Data sheet

FESTO

Dimensions

Basic version



- 1 Socket head screw with female thread
- 2 Regulating screw for adjustable end-position cushioning
- 3 $\varnothing 5/8 \dots 1$:
Mounting slot for proximity sensors
- $\varnothing 1-1/4 \dots 2-1/2$:
Mounting rail for proximity sensor

+ = plus stroke length

\varnothing	AM	B \varnothing	BG	D1	D8 \varnothing	E	EE	G	H1	J2	J3	KK	L1	L2	L3
[in]															
5/8	0.6	0.6	0.2	8-32 UNC	0.1	0.8	10-32 UNF	0.8	1.4	-0.03	0.1	10-32 UNF	0.5	3.1	0.5
3/4	0.8	0.8	0.2	8-32 UNC	0.1	0.9	1/8" NPT	1.0	1.6	-0.03	0.2	5/16-24 UNF	0.6	3.6	0.6
1	0.9	0.9	0.3	10-24 UNC	0.1	1.0	1/8" NPT	1.0	1.8	-0.01	0.2	3/8-24 UNF	0.6	3.6	0.7
1-1/4	0.9	1.2	0.5	1/4-20 UNC	-	1.4	1/8" NPT	1.1	2.1	-	0.1	3/8-24 UNF	0.6	3.7	0.7
1-5/8	0.9	1.4	0.5	1/4-20 UNC	-	1.6	1/4" NPT	1.3	2.6	-	0.2	1/2-20 UNF	0.8	4.1	1.3
2	1.3	1.6	0.6	5/16-18 UNC	-	1.8	1/4" NPT	1.3	3.2	0.10	0.1	5/8-18 UNF	1.0	4.2	1.7
2-1/2	1.3	1.7	0.6	3/8-16 UNC	-	2.1	3/8" NPT	1.4	4.3	0.16	0.2	5/8-18 UNF	1.1	4.5	2.5

\varnothing	L5	L7	MM \varnothing	PL	RT	T1	TG	TO	UO	VA	VD	WH	ZJ	ZM	$\approx\text{C}1$ [mm]	$\approx\text{C}3$ [mm]
[in]																
5/8	0.47	0.33	0.2	0.30	M4	0.2	0.5	0.9	1.2	0.1	0.5	0.7	3.8	4.5	5	4
3/4	0.59	0.41	0.3	0.37	M4	0.2	0.6	1.1	1.4	0.1	0.6	0.7	4.3	5.0	7	4
1	0.63	0.39	0.4	0.41	M5	0.3	0.6	1.2	1.6	0.1	0.6	0.8	4.4	5.3	9	5
1-1/4	0.51	0.40	0.5	0.35	M5	0.4	1.0	1.4	1.9	0.2	0.6	1.0	4.7	5.8	10	6
1-5/8	0.65	0.52	0.6	0.43	M5	0.4	1.1	2.0	2.4	0.2	0.8	1.2	5.3	6.5	13	6
2	0.83	0.55	0.8	0.41	M6	0.4	1.3	2.6	3.1	0.2	0.7	1.5	5.6	7.1	17	6
2-1/2	0.89	0.57	0.8	0.49	M6	0.5	1.6	3.5	4.1	0.2	0.8	1.6	6.1	7.7	17	6

Note

The maximum permissible torque must not be exceeded when additional components are screwed onto the piston rod. Counterhold by means of the wrench flats $\approx\text{C}1$.

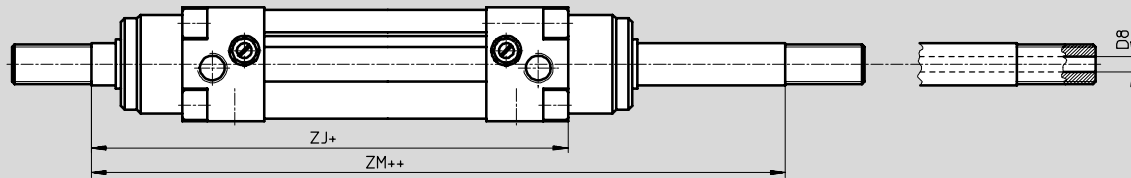
Dimensions are in inch

Flat cylinders DZH - Inch Series

Data sheet

Dimensions

Variant S2 - Through piston rod



+ = plus stroke length

++ = plus 2x stroke length

Ø [in]	D8 Ø	ZJ	ZM
5/8	0.09	3.8	4.5
3/4	0.13	4.3	5.0
1	0.15	4.4	5.3
1-1/4	-	4.7	5.8
1-5/8	-	5.3	6.5
2	-	5.6	7.1
2-1/2	-	6.1	7.7

Dimensions are in inches

Flat cylinders DZH - Inch Series

M Mandatory data					O Options	
Function	Piston Ø	Stroke	Cushioning	Magnet for position sensing	Type of piston rod	Temperature Resistant
DZH	5/8 3/4 1 1 1/4 1 5/8 2 2 1/2	0.04 ... 40	PPV	A	S2	S6
DZH	- 1 5/8	- 10	- PPV	- A	- S6	

Ordering table										
Size	5/8	3/4	1	1 1/4	1 5/8	2	2 1/2	Conditions	Code	Enter code
M Function	Flat, double-acting cylinder								DZH	DZH
Piston Ø [in]	5/8	3/4	1	1 1/4	1 5/8	2	2 1/2		-...	
Stroke [in]	0.04 ... 40								-...	
Cushioning	Adjustable air cushioning at both ends								-PPV	-PPV
Magnet for position sensing	For use with magnetic proximity sensor								-A	-A
O Type of piston rod	Through piston rod								-S2	
Temperature resistant	Heat-resistant seals up to max. 302 °F							1	-S6	

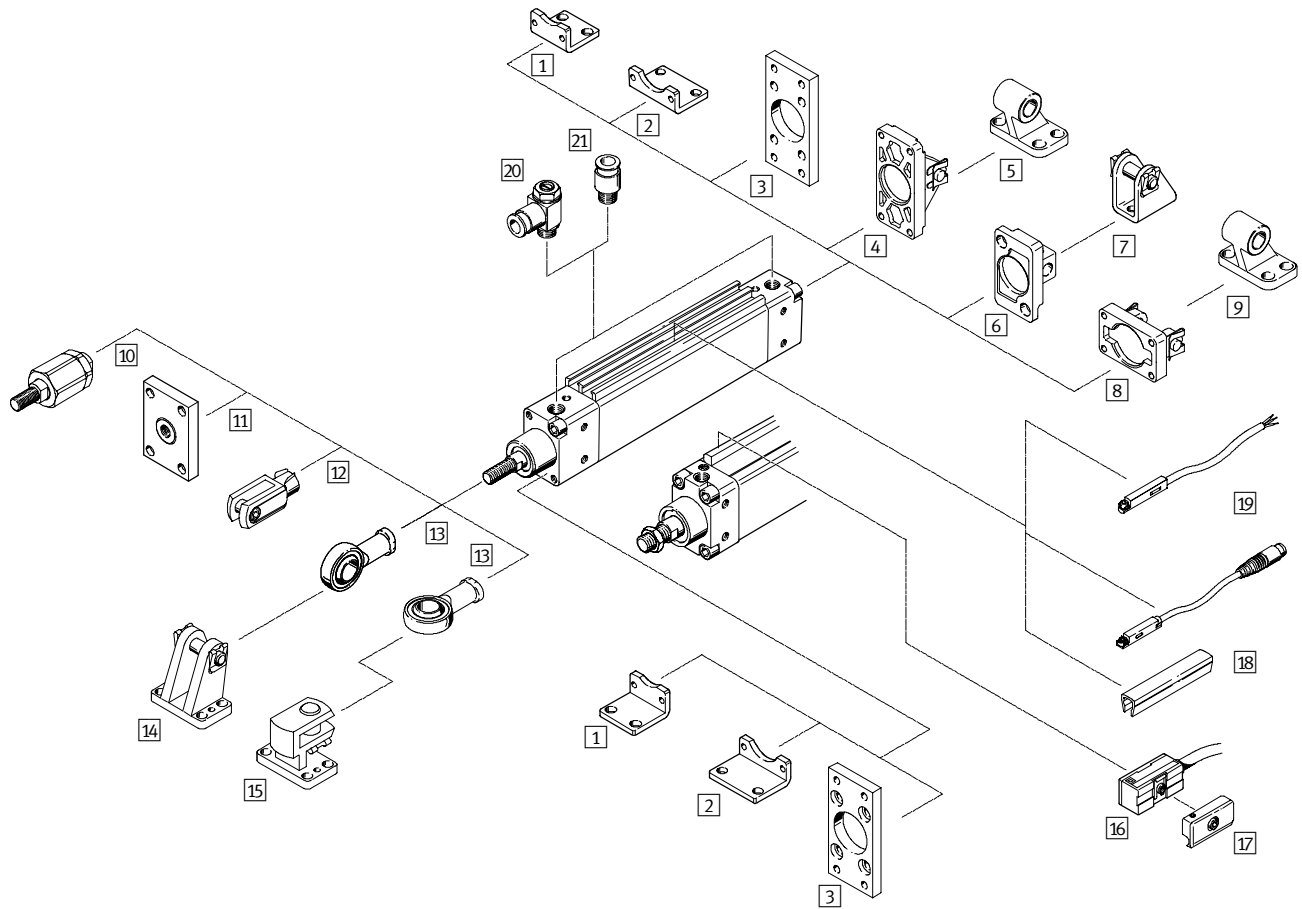
1 not in combination with S2

Transfer order code

DZH - - - PPV - A -

Flat cylinders DZH - Inch Series

Accessories overview



Flat cylinders DZH - Inch Series

Accessories overview

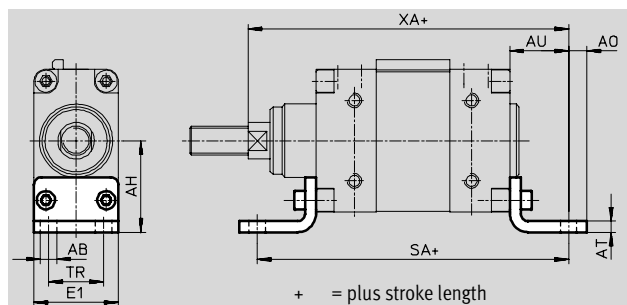
Mounting attachments and accessories			
	Description	Piston Ø 5/8" ... 1"	Piston Ø 1-1/4" ... 2-1/2"
1	Foot mounting, narrow HZS	for bearing and end caps	■
2	Foot mounting, wide HZB	for bearing and end caps	■
3	Flange mounting FZS	for bearing and end caps	■
4	Swivel flange, narrow SZS	for end caps	–
5	Clevis foot LBZB/LBZS	–	■
6	Swivel flange, narrow SZSB	for end caps	–
7	Clevis foot LBN	–	–
8	Swivel flange, wide SZB	for end caps	–
9	Clevis foot LN	–	■
10	Self-aligning rod coupler FK	for compensating radial and angular deviations	■
11	Coupling piece KSZ	for cylinders with a non-rotating piston rod to compensate for radial deviations	■
12	Rod clevis SG	permits a swivelling movement of the cylinder in one plane	■
13	Rod eye SGS	with spherical bearing	■
14	Clevis foot LBG	–	■
15	Right-angle clevis foot LQG	–	■
16	Proximity sensors SMEO-1/SMTO-1/SMPO-1	–	■
17	Mounting kit SMB-1	–	■
18	Slot cover ABP-5-S	to protect the sensor cable and keep dirt out of the sensor slots	–
19	Proximity sensors SME/SMT-8	can be integrated in the cylinder profile barrel	–
20	One-way flow control valve GRLA/GRLZ	to regulate speed	■
21	Push-in fitting QS	for connecting compressed air tubing with standard external diameters	■

Flat cylinders DZH - Inch Series

Accessories

Foot mounting HZS, narrow

Material:
Steel
Free of copper, PTFE and silicone

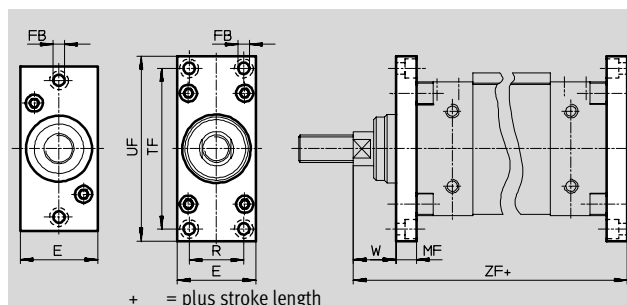
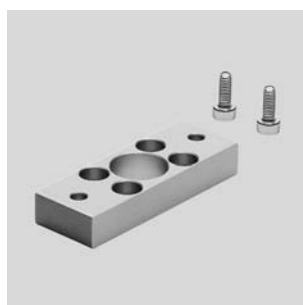


Dimensions and ordering data													
For Ø [in]	AB Ø	AH	AO	AT	AU	E1	SA	TR	XA	CRC ¹⁾	Weight [oz]	Part No.	Type
5/8	0.2	1.0	0.2	0.2	0.8	0.8	4.7	0.5	4.6	2	2.1	151933	HZS-16
3/4	0.2	1.1	0.2	0.2	0.8	0.9	5.2	0.6	5.1	2	2.5	151932	HZS-20
1	0.2	1.2	0.2	0.2	1.0	1.0	5.6	0.6	5.4	2	3.2	151931	HZS-25
1-1/4	0.3	1.3	0.3	0.2	0.9	1.4	5.6	0.9	5.7	2	3.7	14879	HZS-32
1-5/8	0.4	1.6	0.4	0.2	1.1	1.6	6.3	1.0	6.4	2	5.8	14880	HZS-40
2	0.4	2.0	0.4	0.2	1.3	1.8	6.7	1.2	6.9	2	9.5	14881	HZS-50
2-1/2	0.4	2.4	0.6	0.2	1.4	2.1	7.3	1.5	7.5	2	12.9	14882	HZS-63

1) Corrosion resistance class 2 according to Festo standard 940 070
Components with moderate corrosion resistance for use in normal industrial environments subjected to contact with coolants or lubricating agents.

Flange mounting FZS

Material:
Wrought aluminum alloy



Dimensions and ordering data												
For Ø [in]	E	FB Ø	MF	R	TF	UF	W	ZF	CRC ¹⁾	Weight [oz]	Part No.	Type
5/8	0.8	0.19	0.4	-	1.9	2.4	0.3	4.2	2	1.1	151930	FZS-16
3/4	0.9	0.19	0.4	-	2.1	2.8	0.3	4.7	2	1.4	151929	FZS-20
1	1.1	0.23	0.4	-	2.4	3.0	0.4	4.8	2	1.8	151928	FZS-25
1-1/4	1.4	0.23	0.4	0.9	2.4	3.0	0.6	5.1	2	2.1	14887	FZS-32
1-5/8	1.6	0.23	0.4	1.1	3.1	3.5	0.8	5.7	2	2.8	14888	FZS-40
2	1.8	0.27	0.5	1.3	3.7	4.3	1.0	6.1	2	4.8	14889	FZS-50
2-1/2	2.1	0.27	0.6	1.6	4.7	5.3	1.0	6.7	2	9.2	14890	FZS-63

1) Corrosion resistance class 2 according to Festo standard 940 070
Components with moderate corrosion resistance for use in normal industrial environments subjected to contact with coolants or lubricating agents.

All dimensions are in inches

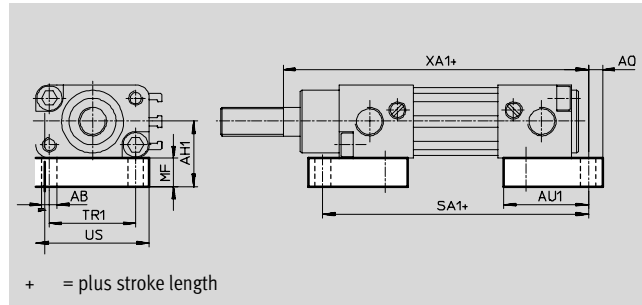
Flat cylinders DZH - Inch Series

Accessories



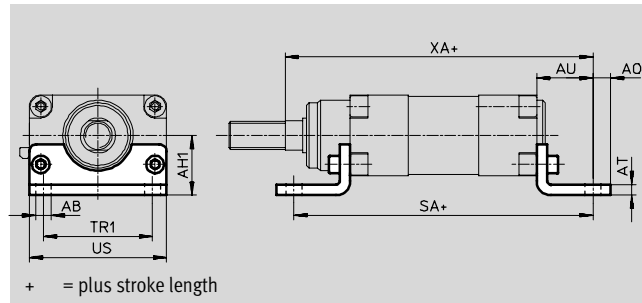
Foot mounting HZB, wide for piston \varnothing 5/8 ... 1 inch

Material:
Wrought aluminum alloy



for piston \varnothing 1-1/4 ... 2-1/2 inch

Material:
Steel

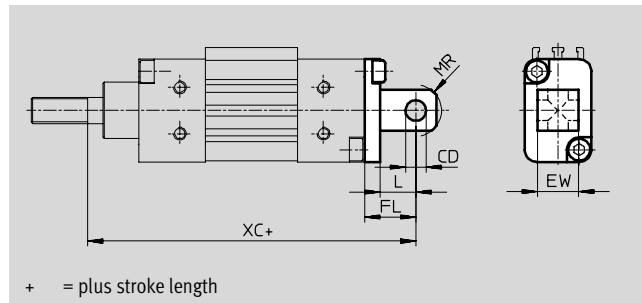


Dimensions and ordering data																	
For \varnothing [in]	AB \varnothing	AH1	AO	AT	AU	AU1	MF	SA	SA1	TR1	US	XA	XA1	CRC ¹⁾	Weight [oz]	Part No.	Type
5/8	0.2	0.8	0.2	-	-	0.9	0.4	-	3.5	0.9	1.2	-	4.0	2	1.8	151936	HZB-16
3/4	0.2	0.8	0.2	-	-	1.0	0.4	-	4.0	1.1	1.4	-	4.5	2	2.1	151935	HZB-20
1	0.2	0.9	0.2	-	-	1.2	0.4	-	4.1	1.2	1.6	-	4.7	2	2.8	151934	HZB-25
1-1/4	0.3	1.0	0.3	0.2	0.9	-	-	5.6	-	1.3	1.9	5.7	-	2	4.6	14875	HZB-32
1-5/8	0.4	1.1	0.4	0.2	1.1	-	-	6.3	-	1.8	2.4	6.4	-	2	8.3	14876	HZB-40
2	0.4	1.3	0.4	0.2	1.3	-	-	6.7	-	2.4	3.1	6.9	-	2	14.5	14877	HZB-50
2-1/2	0.4	1.5	0.6	0.2	1.4	-	-	7.3	-	3.5	4.1	7.5	-	2	22.6	14878	HZB-63

1) Corrosion resistance class 2 according to Festo standard 940 070
Components with moderate corrosion resistance for use in normal industrial environments subjected to contact with coolants or lubricating agents.

Swivel flange SZSB, narrow/wide for piston \varnothing 5/8 ... 1 inch

Material:
High-alloy stainless steel



Dimensions and ordering data								
For \varnothing [in]	CD \varnothing	EW	FL	L	XC	Weight [oz]	Part No.	Type
5/8	0.16	0.3	0.6	0.3	4.3	0.35	151927	SZSB-16
3/4	0.24	0.5	0.6	0.4	4.9	0.71	151926	SZSB-20
1	0.31	0.6	0.8	0.6	5.2	1.41	151925	SZSB-25

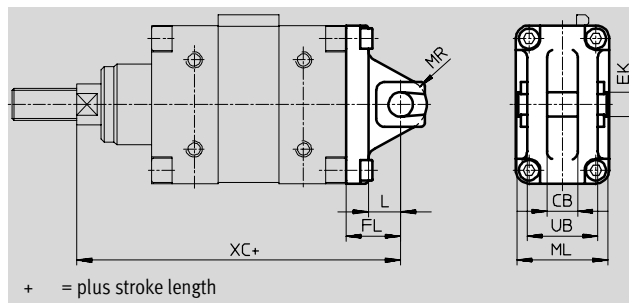
Dimensions are in inches

Flat cylinders DZH - Inch Series

Accessories

Swivel flange SZS, narrow
for piston \varnothing 1-1/4 ... 2-1/2 inch

Material:
Die-cast aluminum

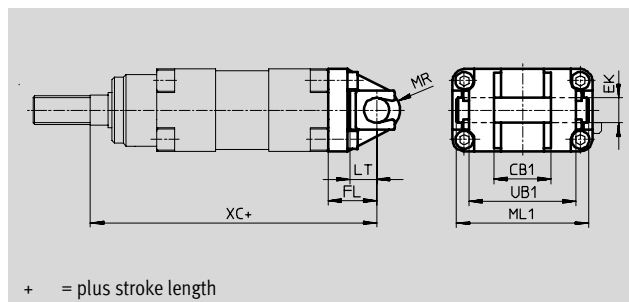


+ = plus stroke length

Dimensions and ordering data											
For \varnothing	CB	EK \varnothing	FL	L	ML	MR	UB	XC	Weight [oz]	Part No.	Type
[in]											
1-1/4	0.37	0.4	0.9	0.53	1.40	0.4	1.02	5.6	2.8	14883	SZS-32
1-5/8	0.49	0.5	1.0	0.61	1.56	0.5	1.13	6.3	4.2	14884	SZS-40
1	0.57	0.5	1.1	0.61	1.80	0.5	1.37	6.7	6.0	14885	SZS-50
2-1/2	0.65	0.6	1.4	0.88	2.11	0.7	1.61	7.5	11.3	14886	SZS-63

Swivel flange SZB, wide
for piston \varnothing 1-1/4 ... 2-1/2 inch

Material:
High-alloy stainless steel



+ = plus stroke length

Dimensions and ordering data											
For \varnothing	CB1	EK \varnothing	FL	LT	ML1	MR	UB1	XC	Weight [oz]	Part No.	Type
[in]											
1-1/4	0.6	0.4	0.9	0.6	1.9	0.4	1.4	5.6	6.0	30798	SZB-32
1-5/8	1.1	0.5	1.0	0.6	2.4	0.5	2.0	6.3	9.9	30799	SZB-40
2	1.3	0.5	1.1	0.6	3.0	0.5	2.4	6.7	14.5	30629	SZB-50
2-1/2	1.6	0.6	1.4	0.9	4.1	0.7	2.8	7.5	23.3	30630	SZB-63

Dimensions are in inches

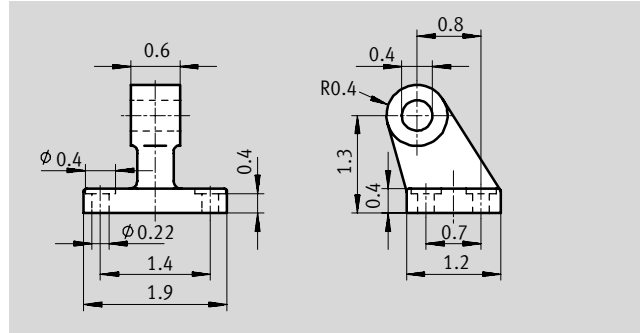
Flat cylinders DZH - Inch Series

Accessories

Clevis foot LBZB

for piston \varnothing 1-1/4 inch

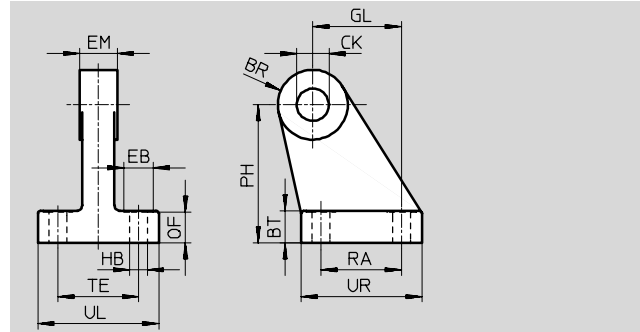
Material:
High-alloy stainless steel



Clevis foot LBZS

for piston \varnothing 1-1/4 ... 2-1/2 inch

Material:
High-alloy stainless steel



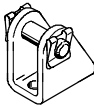
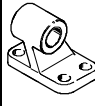
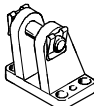
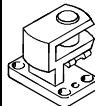
Dimensions and ordering data														Weight	Part No.	Type	
For \varnothing	BR	BT	CK	EB	EM	GL	HB	OF	PH	RA	TE	UL	UR				[oz]
[in]			\varnothing	\varnothing			\varnothing										
LBZB																	
1-1/4	Dimensions → shown above														3.2	33842	LBZB-32
LBZS																	
1-1/4	0.4	0.3	0.4	0.4	0.4	0.8	0.22	0.29	1.3	0.7	0.9	1.4	1.2	3.2	33843	LBZS-32	
1-5/8	0.4	0.4	0.5	0.4	0.4	0.9	0.22	0.37	1.6	0.9	1.1	1.5	1.4	4.8	33844	LBZS-40	
2	0.5	0.5	0.5	0.4	0.5	1.3	0.26	0.45	2.0	1.2	1.2	1.8	1.8	8.3	33845	LBZS-50	
2-1/2	0.6	0.5	0.6	0.4	0.6	1.5	0.26	0.44	2.4	1.4	1.5	2.1	2.0	10.8	33846	LBZS-63	


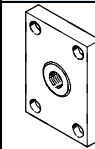
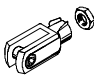
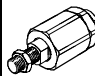
Dimensions are in inch

Flat cylinders DZH - Inch Series

Accessories

FESTO

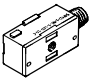
Ordering data – Mounting attachments				Ordering data – Mounting attachments			
Designation	For Ø [in]	Part No.	Type	Designation	For Ø [in]	Part No.	Type
Clevis foot LBN				Clevis foot LN			
	5/8	6058	LBN-12/16		1-1/4	5147	LN-32
	3/4	6059	LBN-20/25		1-5/8	5148	LN-40
	1				2	5149	LN-50
			2-1/2		5150	LN-63	
Clevis foot LBG				Right-angle clevis foot LQG			
	1-1/4	31761	LBG-32		1-1/4	31768	LQG-32
	1-5/8	31762	LBG-40		1-5/8	31769	LQG-40
	2	31763	LBG-50		2	31770	LQG-50
	2-1/2	31764	LBG-63		2-1/2	31771	LQG-63

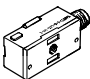
Ordering data – Piston rod attachments				Ordering data – Piston rod attachments			
Designation	For Ø [in]	Part No.	Type	Designation	For Ø [in]	Part No.	Type
Rod eye SGS				Coupling piece KSZ			
	5/8	532694	SGS-10-32		5/8	–	
	3/4	13002871	SGS-5/16-24		3/4		
	1	532696	SGS-3/8-24		1	36129	KSZ-3/8-24-UNF
	1-1/4				1-1/4		
	1-5/8	532697	SGS-1/2-20		1-5/8	36130	KSZ-1/2-20-UNF
	2	532698	SGS-5/8-18		2	36131	KSZ-5/8-18-UNF
	2-1/2				2-1/2		
Rod clevis SG				Self-aligning rod coupler FK			
	5/8	13005667	SG-10-32		5/8	532703	FK-10-32
	3/4	11129	SG-5/16"-24		3/4	532704	FK-5/16-24
	1	546540	SG-3/8"-24-B		1	532705	FK-3/8-24
	1-1/4				1-1/4		
	1-5/8	546545	SG-1/2-20-B		1-5/8	532706	FK-1/2-20
	2	546575	SG-5/8-18-B		2	532707	FK-5/8-18
	2-1/2				2-1/2		

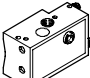
Flat cylinders DZH - Inch Series

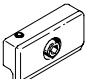
Accessories

FESTO

Ordering data – Block-shaped proximity sensor, magneto-resistive							
	Mounting	Switch output	Electrical connection		Cable length [ft]	Part No.	Type
			Cables	M8 plug			
NO contact							
	With accessories	PNP	3 wires	–	8.2	151 683	SMT0-1-PS-K-LED-24-C
			–	3-pin	–	151 685	SMT0-1-PS-S-LED-24-C
		NPN	3 wires	–	8.2	151 684	SMT0-1-NS-K-LED-24-C
			–	3-pin	–	151 686	SMT0-1-NS-S-LED-24-C

Ordering data – Block-shaped proximity sensor, magnetic reed						
	Mounting	Electrical connection		Cable length [ft]	Part No.	Type
		Cables	M8 plug			
NO contact						
	With accessories	3 wires	–	8.2	30459	SME0-1-LED-24-B
		3 wires	–	16.4	151672	SME0-1-LED-24-K5-B
		–	3-pin	–	150848	SME0-1-S-LED-24-B

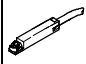
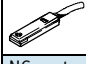
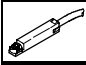
Ordering data – Block-shaped proximity sensor, pneumatic					
	Mounting	Pneumatic connection		Part No.	Type
3/2-way valve, normally closed					
	With accessories	Barbed fitting for tubing ID of 0.1 inch		31008	SMPO-1-H-B

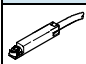
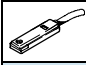
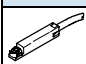
Ordering data – Mounting kit					
	Mounting			Part No.	Type
	for cylinder with tie rod \varnothing 0.2 inch or DUO rail mounting profile			11886	SMB-1

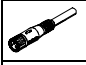
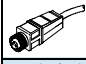

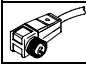
Flat cylinders DZH - Inch Series

Accessories

FESTO

Ordering data – Proximity sensor for slot type 8, magneto-resistive								
	Mounting	Switch output	Electrical connection			Cable length [ft]	Part No.	Type
			Cable	M8 plug	M12 plug			
NO contact								
	inserted from above	PNP	3 wires	–	–	8.2	525898	SMT-8F-PS-24V-K2.5-OE
		NPN		–	–		525909	SMT-8F-NS-24V-K2.5-OE
		–	2 wires	–	–	8.2	525908	SMT-8F-ZS-24V-K2.5-OE
		PNP	–	3-pin	–	1.0	525899	SMT-8F-PS-24V-K0.3-M8D
		NPN	–		525910		SMT-8F-NS-24V-K0.3-M8D	
PNP	–	–	3-pin	–	1.0	525900	SMT-8F-PS-24V-K0.3-M12	
	flush	PNP	3 wires	–	–	8.2	175436	SMT-8-PS-K-LED-24-B
		–	–	3-pin	–	1.0	175484	SMT-8-PS-S-LED-24-B
NC contact								
	inserted from above	PNP	3 wires	–	–	24.6	525911	SMT-8F-PO-24V-K7.5-OE

Ordering data – Proximity sensor for slot type 8, magnetic reed						
	Mounting	Electrical connection		Cable length [ft]	Part No.	Type
		Cable	M8 plug			
NO contact						
	inserted from above	3 wires		–	8.2	525895 SME-8F-DS-24V-K2.5-OE
		–		–	16.4	525897 SME-8F-DS-24V-K5.0-OE
		2 wires		–	8.2	525907 SME-8F-ZS-24V-K2.5-OE
		–		3-pin	1.0	525896 SME-8F-DS-24V-K0.3-M8D
	flush	3 wires		–	8.2	150855 SME-8-K-LED-24
		–		3-pin	1.0	150857 SME-8-S-LED-24
NC contact						
	inserted from above	3 wires		–	24.6	525906 SME-8F-DO-24V-K7.5-OE



Ordering data – Plug sockets							
	Mounting	Switch output		Connection	Cable length [ft]	Part No.	Type
		PNP	NPN				
Straight plug socket							
	M8 union nut	■	■	3-pin	8.2	159420	SIM-M8-3GD-2.5-PU
		■	■		16.4	159421	SIM-M8-3GD-5-PU
	M12 union nut	■	■	3-pin	8.2	159428	SIM-M12-3GD-2.5-PU
		■	■		16.4	159429	SIM-M12-3GD-5-PU
Angled plug socket							
	M8 union nut	■	■	3-pin	8.2	159422	SIM-M8-3WD-2.5-PU
		■	■		16.4	159423	SIM-M8-3WD-5-PU
	M12 union nut	■	■	3-pin	8.2	159430	SIM-M12-3WD-2.5-PU
		■	■		16.4	159431	SIM-M12-3WD-5-PU

Ordering data – Slot cover for slot type 8			
	Mounting	Length [ft]	Part No. Type
	inserted from above	2x 0.5	151680 ABP-5-S

Flat cylinders DZH - Inch Series

Accessories

FESTO

Ordering data – One-way flow control valves				
	Connection		Part No.	Type
	Thread	For tubing OD		
For exhaust air				
	10-32 UNF	5/32	165008	GRLA-10-32-UNF-QS-5/32-U
		1/4	192753	GRLA-10-32-UNF-QS-1/4-U
	1/8" NPT	5/32	165009	GRLA-1/8-NPT-QS-5/32-U
		3/16	190941	GRLA-1/8-NPT-QS-3/16-U
		1/4	165010	GRLA-1/8-NPT-QS-1/4-U
		5/16	165013	GRLA-1/8-NPT-QS-5/16-U
	1/4" NPT	3/16	190944	GRLA-1/4-NPT-QS-3/16-U
		1/4	165011	GRLA-1/4-NPT-QS-1/4-U
		5/16	165014	GRLA-1/4-NPT-QS-5/16-U
		3/8	190947	GRLA-1/4-NPT-QS-3/8-U
	3/8" NPT	1/4	165012	GRLA-3/8-NPT-QS-1/4-U
		5/16	165015	GRLA-3/8-NPT-QS-5/16-U
		3/8	190950	GRLA-3/8-NPT-QS-3/8-U
		1/2	190951	GRLA-3/8-NPT-QS-1/2-U
	For supply air			
	10-32 UNF	-	151576	GRLZ-10-UNF-B
			151579	GRLZ-10-UNF-RS-B
		3/16	151577	GRLZ-10-UNF-3/16-B
		1/4	151578	GRLZ-10-UNF-1/4-B
	1/8" NPT	-	151561	GRLZ-1/8-NPT-B
			151564	GRLZ-1/8-NPT-RS-B
			151562	GRLZ-1/8-NPT-1/4-B