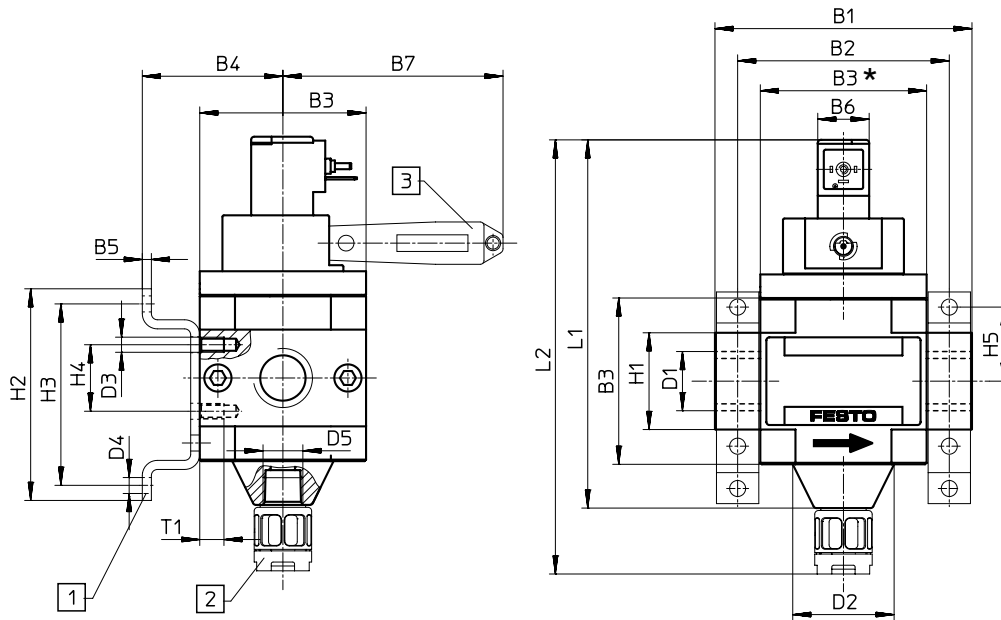


# On-Off Valves, Solenoid Actuated, Type HEE

## 3/2-Way Valve, Dimensions, INCH and Metric Series

Type HEE-D-...  
HEE-...-D-...(-NPT)



- ❶ Mounting brackets Type HFOE-D-...  
(order separately)
- ❷ Silencer (MINI: U-1/8; MIDI: U-1/4; MAXI: U-3/8; order separately)
- ❸ Manual override handle, momentary contact and detenting, Type AHB-M-...  
(order separately)

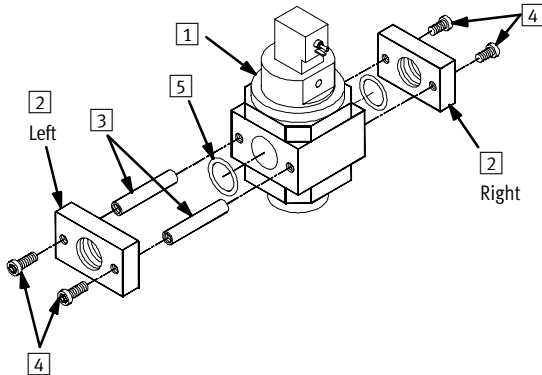
\*Width of valve without threaded connector plates

Type	B1	B2	B3	B4	B5	B6	B7	D1 thread	D2	D3
	in / mm	in / mm	in / mm	in / mm	in / mm	in / mm	in / mm	Inch/Metric	in / mm	thread
HEE-1/8-D-MINI	2.52 / 64	2.05 / 52	1.57 / 40	1.55 / 39.4	0.08 / 2	1.26 / 17	237.2 / 72.3	1/8 NPT / G 1/8 ISO	0.93 / 23.7	M4
HEE-1/4-D-MINI	2.52 / 64							1/4 NPT / G 1/4 ISO		
HEE-3/8-D-MINI	2.76 / 70							3/8 NPT / G 3/8 ISO		
HEE-1/8-D-MIDI	3.35 / 85	2.76 / 70	2.17 / 55	1.83 / 46.5	0.12 / 3	1.73 / 17	238.8 / 72.8	3/8 NPT / G 3/8 ISO	1.32 / 33.5	M5
HEE-1/2-D-MIDI								1/2 NPT / G 1/2 ISO		
HEE-3/4-D-MIDI								3/4 NPT / G 3/4 ISO		
HEE-3/4-D-MAXI	3.70 / 94	3.15 / 80	2.60 / 66	2.09 / 53.1	0.12 / 3	1.73 / 17	238.8 / 72.8	3/4 NPT / G 3/4 ISO	1.37 / 38.4	M5
HEE-1-D-MAXI	4.57 / 116	3.58 / 91						1 NPT / G 1 ISO		
Type	D4	D5	H1	H2	H3	H4	H5	L1	L2	T1
	in / mm	thread	in / mm	in / mm	in / mm	in / mm	in / mm	in / mm	in / mm	in / mm
HEE-1/8-D-MINI	0.17 / 4.3	G 1/8	0.79 / 20	1.69 / 43	1.38 / 35	0.43 / 11	0.69 / 17.5	339.6 / 103.5	438.0 / 133.5	0.28 / 7
HEE-1/4-D-MINI										
HEE-3/8-D-MINI										
HEE-1/8-D-MIDI	0.21 / 5.3	G 1/4	1.26 / 32	2.76 / 70	2.36 / 60	0.86 / 22	0.96 / 24.5	4.80 / 121.8	6.76 / 171.6	0.32 / 8
HEE-1/2-D-MIDI										
HEE-3/4-D-MIDI										
HEE-3/4-D-MAXI	0.21 / 5.3	G 3/8	1.26 / 32	2.76 / 70	2.36 / 60	0.86 / 22	0.96 / 24.5	5.31 / 134.8	8.13 / 206.5	0.32 / 8
HEE-1-D-MAXI			1.57 / 40							

## Electrical On-Off Valve Selector Guide

D-Series Service Units Port Sizes 1/8" to 1"

Ship From Stock



A complete valve assembly consists of the following items:

Item	Description	Qty Required per Assy
1	Main Unit	1
2	Port Block	2 [one left, one right]
3	Single Unit Joining Rod	2
4	Port Block Screw	4
5	Port Block Seal	2
6	Mounting Bracket Kit [Not shown]	1

**Step 1:** Based upon the required Port Size, Maximum Flow, Filtration Level, Drain Type, and Thread Type, select the Main Unit [Item 1] and the Left and Right Port Block [Item 2]. Note the Product Type/Description for the next step.

Port size	Max. Flow (l/min/sfcm)	Coil Voltage	Item						Product Type/Description
			1	2	NPT Thread		BSP Thread		
			Main Unit		Left Connection Port Block	Right Connection Port Block	Left Connection Port Block	Right Connection Port Block	
1/8	1000/35.3	24	172 956	372 030	372 038	380 285	380 287	HEE-...-D-MINI-...	
		110	172 957						
		230	172 958						
1/4	1500/52.9	24	172 956	372 031	372 039	380 289	380 291	HEE-...-D-MIDI-...	
		110	172 957						
		230	172 958						
	2600/91.8	24	172 959	-	-	380 902	380 903		
		110	172 960						
		230	172 961						
3/8	1600/56.5	24	172 956	372 032	372 040	380 293	380 295	HEE-...-D-MINI-...	
		110	172 957						
		230	172 958						
	3200/113.0	24	172 959	372 035	372 043	380 297	380 299	HEE-...-D-MIDI-...	
		110	172 960						
		230	172 961						
1/2	3600/127.1	24	172 959	372 033	372 041	380 301	380 303	HEE-...-D-MAXI-...	
		110	172 960						
		230	172 961						
	5600/197.8	24	172 962	-	-	381 529	381 530		
		110	172 963						
		230	172 964						
3/4	3800/134.2	24	172 959	372 034	372 042	380 305	380 307	HEE-...-D-MIDI-...	
		110	172 960						
		230	172 961						
	6000/211.9	24	172 962	372 036	372 044	380 309	380 311	HEE-...-D-MAXI-...	
		110	172 963						
		230	172 964						
1	6500/229.5	24	172 962	372 037	372 045	380 313	380 315	HEE-...-D-MAXI-...	
		110	172 963						
		230	172 964						

☐ Not available

Next...Step 2