

Metric

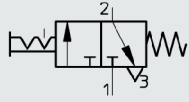
Inch

On-Off Valves, Manually Operated, Type HE - Basic Version

3/2-Way Valve, 1/8" – 1" NPT, G3/8 G1 ISO

On-Off Valve, Manually Operated

Type HE-...-D-...(-NPT)



This valve is used to pressurize and exhaust pneumatic installations.

The valve can be locked into the "exhausted" position (port 1 closed) by means of an ordinary padlock.

The Type HE-D... valve is provided with 2 threaded pins so that it can be mounted in combination with service units from Festo's "D-Series".

Accessories:

Mounting Bracket, Type HFOE-D-...

Silencer, Type U-...

Type HE-...-D-...(-NPT)
with threaded connector plates



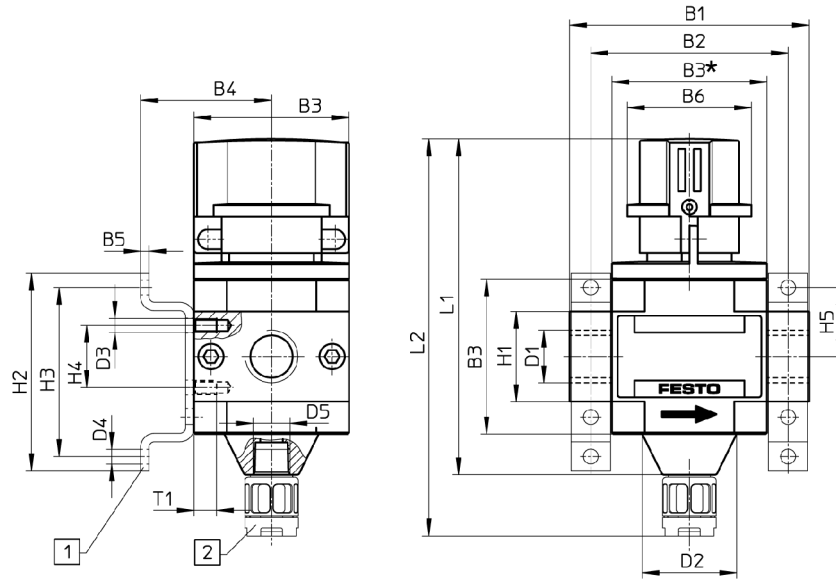
Order Number	Part No./Type	MINI Size			MIDI Size			MAXI Size	
On-Off Valve (manual)									
with threaded connector plates	NPT	173892	173893	173894	173895	173896	173897	173898	173899
		HE-1/8-D-MINI-NPT	HE-1/4-D-MINI-NPT	HE-3/8-D-MINI-NPT	HE-3/8-D-MIDI-NPT	HE-1/2-D-MIDI-NPT	HE-3/4-D-MIDI-NPT	HE-3/4-D-MAXI-NPT	HE-1-D-MAXI-NPT
with threaded connector plate	ISO	162806	162807	162808	162809	162810	162811	162812	162813
		HE-1/8-D-MINI	HE-1/4-D-MINI	HE-3/8-D-MINI	HE-3/8-D-MIDI	HE-1/2-D-MIDI	HE-3/4-D-MIDI	HE-3/4-D-MAXI	HE-1-D-MAXI
Mounting Bracket		159638 HFOE-D-MINI			159593 HFOE-D-MIDI/MAXI				
Connection		1/8 NPT / G 1/8 ISO	1/4 NPT / G 1/4 ISO	3/8 NPT / G 3/8 ISO	3/8 NPT / G 3/8 ISO	1/2 NPT / G 1/2 ISO	3/4 NPT / G 3/4 ISO	3/4 NPT / G 3/4 ISO	1 NPT / G 1 ISO
Standard Nominal Flow Rate*	scfm / l/min	35.31 / 1000	52.97 / 1500	56.50 / 1600	113.0 / 3200	127.1 / 3600	134.2 / 3800	211.9 / 6000	229.5 / 6500
Medium		Compressed air, filtered (lubricated or unlubricated)							
Design		Spool valve							
Mounting		Single unit: in-line mounting with mounting bracket Combination: Flange mounting to "D-Series" units							
Mounting Position		Vertical, ± 5°							
Pressure Range		0 to 240 psi / 0 to 16 bar							
Temperature Range		14 to 140°F / -10 to +60°C							
Materials		Rotary knob: PA; stem: POM; spool: stainless steel; seals: NBR; housing/base: die cast aluminum							
Weight (without connector plates)		0.42 lb / 0.192 kg			1.13 lb / 0.511 kg			1.75 lb / 0.796 kg	

* With 90 psi / 6 bar at inlet and $\Delta p = 15 \text{ psi} / 1 \text{ bar}$.

Delivery: Short lead time

Dimensions

Type HE-...-D-...(-NPT)



- 1 Mounting brackets Type HFOE-D-... (order separately)
- 2 Silencer (MINI: U-1/8; MIDI: U-1/4; MAXI: U-3/8; order separately)

*Width of valve without threaded connector plates

Type	B1	B2	B3	B4	B5	B6	D1 thread Inch / Metric	D2	D3	D4
	in / mm	in / mm	in / mm	in / mm	in / mm	in / mm				
HE-1/8-D-MINI	2.52 / 64	2.05 / 52	1.57 / 40	1.55 / 39.4	0.08 / 2	1.26 / 32	1/8 NPT / G 1/8 ISO	0.93 / 23.7	M4	0.17 / 4.3
HE-1/4-D-MINI	2.52 / 64						1/4 NPT / G 1/4 ISO			
HE-3/8-D-MINI	2.76 / 70						3/8 NPT / G 3/8 ISO			
HE-1/8-D-MIDI	3.35 / 85	2.76 / 70	2.17 / 55	1.83 / 46.5	0.12 / 3	1.73 / 44	3/8 NPT / G 3/8 ISO	1.32 / 33.5	M5	0.21 / 5.3
HE-1/4-D-MIDI							1/2 NPT / G 1/2 ISO			
HE-3/4-D-MIDI							3/4 NPT / G 3/4 ISO			
HE-3/4-D-MAXI	3.70 / 94	3.15 / 80	2.60 / 66	20.9 / 53.1	0.12 / 3	1.73 / 44	3/4 NPT / G 3/4 ISO	1.37 / 34.8	M5	0.21 / 5.3
HE-1-D-MAXI	4.57 / 116	3.58 / 91					1 NPT / G 1 ISO			
Type	D5	H1	H2	H3	H4	H5	L1	L2	T1	
	thread	in / mm	in / mm	in / mm	in / mm	in / mm	in / mm	in / mm	in / mm	in / mm
HE-1/8-D-MINI	G 1/8	0.79 / 20	1.69 / 43	1.38 / 35	0.43 / 11	0.69 / 17.5	3.86 / 98.1	5.04 / 128.1	0.28 / 7	
HE-1/4-D-MINI										
HE-3/8-D-MINI										
HE-1/8-D-MIDI	G 1/4	1.26 / 32	2.76 / 70	2.36 / 60	0.86 / 22	0.96 / 24.5	4.770 / 119.3	6.66 / 169.1	0.32 / 8	
HE-1/4-D-MIDI										
HE-3/4-D-MIDI										
HE-3/4-D-MAXI	G 3/8	1.26 / 32	2.76 / 70	2.36 / 60	0.86 / 22	0.96 / 24.5	5.21 / 132.3	7.97 / 203.1	0.32 / 8	
HE-1-D-MAXI		1.57 / 40								

Metric

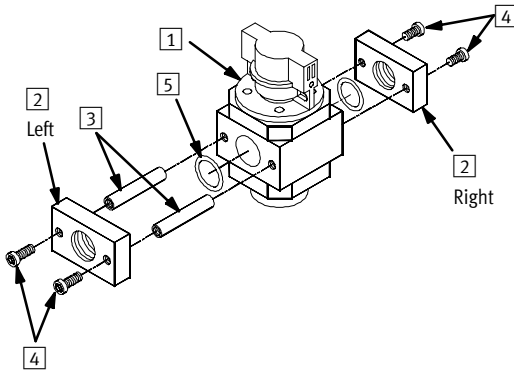
Inch

Ship-From-Stock Component Program

D-Series Service Units Port Sizes 1/8" to 1"

Ordering via the Ship-From-Stock Component Program allows for off-the-shelf availability of the components required to assemble a complete air preparation unit.

A complete valve assembly consists of the following items:



Item	Description	Qty Required per Assy
1	Main Unit	1
2	Port Block	2 [one left, one right]
3	Single Unit Joining Rod	2
4	Port Block Screw	4
5	Port Block Seal	2
6	Mounting Bracket Kit [Not shown]	1

Step 1: Based upon the required Port Size, Maximum Flow, Filtration Level, Drain Type, and Thread Type, select the Main Unit [Item 1] and the Left and Right Port Block [Item 2]. Note the Product Type/Description for the next step.

Port size	Max. Flow (l/min/sfcm)	Item						Product Type/ Description
		1	2	NPT Thread		BSP Thread		
		Main Unit		Left Connection Port Block	Right Connection Port Block	Left Connection Port Block	Right Connection Port Block	
1/8	1000/35.3	170 681	372 030	372 038	380 285	380 287	HE-...-D-MINI-...	
	1500/52.9		372 031	372 039	380 289	380 291		
1/4	2600/91.8	170 682	-	-	380 902	380 903	HE-...-D-MIDI-...	
	3/8	1600/56.5	170 681	372 032	372 040	380 293	380 295	HE-...-D-MINI-...
3200/113.0		170 682	372 035	372 043	380 297	380 299	HE-...-D-MIDI-...	
1/2	3600/127.1	170 683	372 033	372 041	380 301	380 303	HE-...-D-MIDI-...	
	5600/197.8		-	-	381 529	381 530	HE-...-D-MAXI-...	
3/4	3800/134.2	170 682	372 034	372 042	380 305	380 307	HE-...-D-MIDI-...	
	6000/211.9	170 683	372 036	372 044	380 309	380 311	HE-...-D-MAXI-...	
1	6500/229.5		372 037	372 045	380 313	380 315		

☐ Not available

Next...Step 2

Inch

Metric

Manual Shut-Off Valve Selector Guide

D-Series Service Units Port Sizes 1/8" to 1"

Step 2: Based upon the Product Type/Description from Step 1, select the Joining Rods [Item **3**], the Port Block Screws [Item **4**], the Port Block Seals [Item **5**], and the Mounting Bracket Kit [Item **6**].

	Item 3	Item 4	Item 5	Item 6 [Not shown]
Product Type/Description	Single Unit Joining Rod	Port Block Screw	Port Block Seal	Mounting Bracket Kit
HE-...-D-MINI-...	359 787	200 664	235 260	159 638
HE-...-D-MIDI-...	369 989	202 824	200 950	159 593
HE-...-D-MAXI-...	373 059		234 380	159 593

Step3: Determine the appropriate quantity of each Item.

Ordering Example:

Required: 3/8 port size, 3000 l/min flow, BSP threads.

	Item	Part No.	Qty	Description
Order:	1	170 682	1	Main Unit
	2	380 297	1	Left Port Block
		380 299	1	Right Port Block
	3	369 989	2	Single Unit Joining Rod
	4	202 824	4	Port Block Screws
	5	200 950	3	Port Block Seals
	6	159 593	1	Mounting Bracket Kit