

Metric

Inch

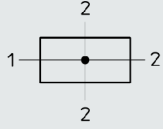
Distributor Blocks, Type FRM - Basic Version

1/8" - 1"

Distributor Block

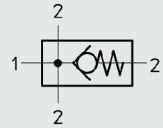
without non-return valve

Type FRM-...-D...(-NPT)



with non-return valve

Type FRM-H-...-D...(-NPT)



Compressed air distributor with 2 branch connection ports.

In Type FRM-H-..., an integrated non-return valve prevents the reverse flow of lubricated compressed air back to the supply port.

Type FRM-...-D...(-NPT)
with threaded connector platesType FRM-H-...-D...(-NPT)
with threaded connector platesAccessories:
Mounting Bracket, Type HFOE-D-...

Order Number	Part No./Type	MINI Size			MIDI Size			MAXI Size			
Distributor Block without non-return valve	NPT	173924	173925	173926		173927	173928	173929		173930	173931
	ISO	164949	164950	164951	186523	164952	164953	164954	186524	164955	164956
		FRM-1/8-D-MINI-NPT	FRM-1/4-D-MINI-NPT	FRM-3/8-D-MINI-NPT		FRM-3/8-D-MIDI-NPT	FRM-1/2-D-MIDI-NPT	FRM-3/4-D-MIDI-NPT		FRM-3/4-D-MAXI-NPT	FRM-1-D-MAXI-NPT
		FRM-1/8-D-MINI	FRM-1/4-D-MINI	FRM-3/8-D-MINI	FRM-1/4-D-MIDI	FRM-3/8-D-MIDI	FRM-1/2-D-MIDI	FRM-3/4-D-MIDI	FRM-1/2-D-MAXI	FRM-3/4-D-MAXI	FRM-1-D-MAXI
Connection		1/8	1/4	3/8	1/4	3/8	1/2	3/4	1/2	3/4	1
Standard Nominal Flow Rate*	scfm / l/min	53.97 / 1500	116.54 / 3300	116.5 / 3300	123.6 / 3500	247.2 / 7000	289.6 / 8200	310.8 / 8800	413.2 / 11700	706.3 / 20000	614.5 / 17400
Distributor Block with non-return valve	NPT	173932	173933	173934		173935	173936	173937		173938	173939
	ISO	162788	162789	162790	186525	162791	162792	162793	186526	162794	162795
		FRM-H-1/8-D-MINI-NPT	FRM-H-1/4-D-MINI-NPT	FRM-H-3/8-D-MINI-NPT		FRM-H-3/8-D-MIDI-NPT	FRM-H-1/2-D-MIDI-NPT	FRM-H-3/4-D-MIDI-NPT		FRM-H-3/4-D-MAXI-NPT	FRM-H-1-D-MAXI-NPT
		FRM-H-1/8-D-MINI	FRM-H-1/4-D-MINI	FRM-H-3/8-D-MINI	FRM-H-1/4-D-MIDI	FRM-H-3/8-D-MIDI	FRM-H-1/2-D-MIDI	FRM-H-3/4-D-MIDI	FRM-H-1/2-D-MAXI	FRM-H-3/4-D-MAXI	FRM-H-1-D-MAXI
Connection		1/8	1/4	3/8	1/4	3/8	1/2	3/4	1/2	3/4	1
Standard Nominal Flow Rate*	scfm / l/min	45.91 / 1300	70.63 / 2000	74.16 / 2100	120.1 / 3400	194.2 / 5500	197.8 / 5500	194.2 / 5500	339.0 / 9600	529.7 / 15000	473.2 / 13400
Medium		Compressed air, filtered (lubricated or unlubricated)									
Design		Compressed air distributor with variable outlets									
Mounting		Single unit: in-line with mounting bracket Combination: Flange mounting to "D-Series" units									
Mounting Position		Any									
Pressure Range	FRM-D-...	0 to 240 psi / 0 to 16 bar									
	FRM-H-...-D-...	2.3 to 240 psi / 0.15 to 16 bar			3 to 240 psi / 0.20 to 16 bar			3.8 to 240 psi / 0.25 to 16 bar			
Temperature Range		14 to 140°F / -10 to +60°C									
Materials		Housing: die cast zinc; threaded pins: steel; seals: NBR; non-return spool: POM									
Weight (without connector plates)		0.46 lb / 0.210 kg			1.15 lb / 0.520 kg			1.98 lb / 0.900 kg			

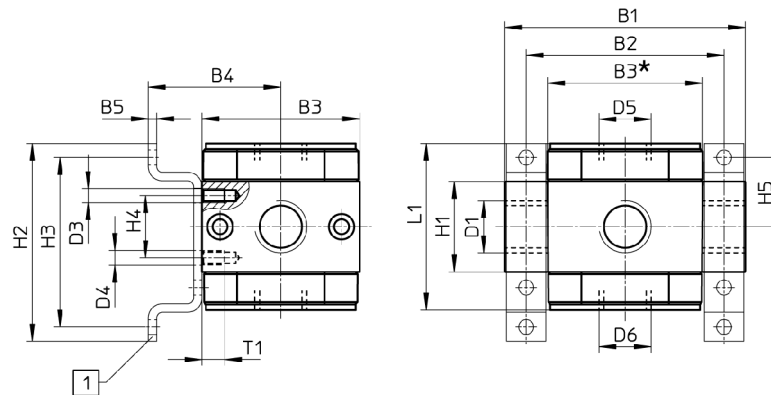
Delivery: Short lead time

* With 90 psi / 6 bar at inlet and $\Delta p = 15$ psi / 1 bar.

Distributor Blocks, Type FRM - Basic Version

Dimensions

Type FRM-...-D-...
FRM-H-...-D-...



1 Mounting brackets Type HFOE-D-...
(order separately)

*Width of distributor block without threaded connector plates

Type Inch and Metric Series	B1 in / mm	B2 in / mm	B3 in / mm	B4 in / mm	B5 in / mm	D1 thread Inch / Metric		D3 thread	D4 in / mm
FRM/FRM-H-1/8-D-MINI	2.52 / 64	2.05 / 52	1.57 / 40	1.55 / 39.4	0.08 / 2	1/8 NPT / G 1/8 ISO		M4	0.17 / 4.3
FRM/FRM-H-1/4-D-MINI	2.52 / 64					1/4 NPT / G 1/4 ISO			
FRM/FRM-H-3/8-D-MINI	2.76 / 70					3/8 NPT / G 3/8 ISO			
FRM/FRM-H-3/8-D-MIDI	3.34 / 85	2.76 / 70	2.17 / 55	1.83 / 46.5	0.12 / 3	3/8 NPT / G 3/8 ISO		M5	0.21 / 5.3
FRM/FRM-H-1/2-D-MIDI						1/2 NPT / G 1/2 ISO			
FRM/FRM-H-3/4-D-MIDI						3/4 NPT / G 3/4 ISO			
FRM/FRM-H-3/4-D-MAXI	3.70 / 96	3.15 / 80	2.60 / 66	2.09 / 53.1	0.12 / 3	3/4 NPT / G 3/4 ISO		M5	0.21 / 5.3
FRM/FRM-H-1-D-MAXI	4.57 / 116	3.58 / 91				1 NPT / G 1 ISO			
Type Inch and Metric Series	D5† thread	D6† thread	H1 in / mm	H2 in / mm	H3 in / mm	H4 in / mm	H5 in / mm	L1 in / mm	T1 in / mm
FRM/FRM-H-1/8-D-MINI	G 1/4	G 1/4	0.79 / 20	1.69 / 43	1.38 / 35	0.43 / 11	0.69 / 17.5	1.57 / 40	0.28 / 7
FRM/FRM-H-1/4-D-MINI									
FRM/FRM-H-3/8-D-MINI									
FRM/FRM-H-3/8-D-MIDI	G 1/2	G 1/4	1.26 / 32	2.76 / 70	2.36 / 60	0.86 / 22	0.96 / 24.5	2.32 / 59	0.32 / 8
FRM/FRM-H-1/2-D-MIDI									
FRM/FRM-H-3/4-D-MIDI									
FRM/FRM-H-3/4-D-MAXI	G 3/4	G 1/4	1.26 / 32	2.76 / 70	2.36 / 60	0.86 / 22	0.96 / 24.5	2.75 / 70	0.32 / 8
FRM/FRM-H-1-D-MAXI			1.57 / 40						

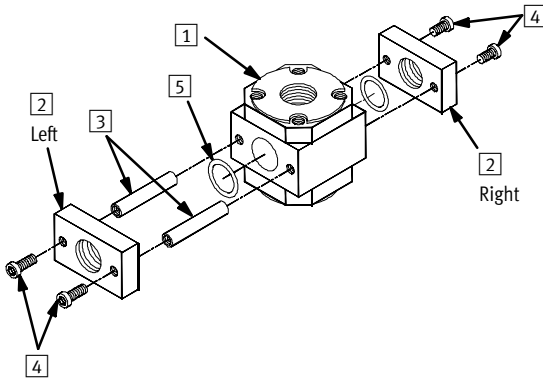
† Fittings can be used to convert these ISO threaded ports to NPT.

Metric

Inch

Ship-From-Stock Component Program

D-Series Service Units Port Sizes 1/8" to 1"



Ordering via the Ship-From-Stock Component Program allows for off-the-shelf availability of the components required to assemble a complete air preparation unit.

A complete distributor assembly consists of the following items:

Item	Description	Qty Required per Assy
1	Main Unit	1
2	Port Block	2 [one left, one right]
3	Single Unit Joining Rod	2
4	Port Block Screw	4
5	Port Block Seal	2
6	Mounting Bracket Kit [Not shown]	1

Step 1: Based upon the required Port Size, Maximum Flow, Filtration Level, Drain Type, and Thread Type, select the Main Unit [Item 1] and the Left and Right Port Block [Item 2]. Note the Product Type/Description for the next step.

Port size	Max. Flow (l/min/sfcm)	Check Valve	Item		NPT Thread				BSP Thread				Product Type/ Description
			Main Unit	NPT Thread	Left Connection Port Block		Right Connection Port Block		Left Connection Port Block		Right Connection Port Block		
					1	2	Left Connection Port Block	Right Connection Port Block	Left Connection Port Block	Right Connection Port Block			
1/8	1500/52.9	No	170 684	372 030	372 038	380 285	380 287	FRM-...-D-MINI-...					
	1300/45.9	Yes	170 687					FRM-H-...-D-MINI-...					
1/4	3300/116.5	No	170684	372 031	372 039	380 289	380 291	FRM-...-D-MINI-...					
	2000/70.6	Yes	170687					FRM-H-...-D-MINI-...					
	3500/123.6	No	170 685	-	-	380 902	380 903	FRM-...-D-MIDI-...					
	3400/120.1	Yes	170688					FRM-H-...-D-MIDI-...					
3/8	3300/116.5	No	170 684	372 032	372 040	380 293	380 295	FRM-...-D-MINI-...					
	2100/74.2	Yes	172 687					FRM-H-...-D-MINI-...					
	7000/247.2	No	170 685	372 035	372 043	380 297	380 299	FRM-...-D-MIDI-...					
	5500/194.2	Yes	170 688					FRM-H-...-D-MIDI-...					
1/2	8200/289.6	No	170 685	372 033	372 041	380 301	380 303	FRM-...-D-MIDI-...					
	5600/197.8	Yes	170 688					FRM-H-...-D-MIDI-...					
	11700/413.2	No	170 686	-	-	381 529	381 530	FRM-...-D-MAXI-...					
	9600/339.0	Yes	170 689					FRM-H-...-D-MAXI-...					
3/4	8800/310.8	No	170 685	372 034	372 042	380 305	380 307	FRM-...-D-MIDI-...					
	5500/194.2	Yes	170 688					FRM-H-...-D-MIDI-...					
	20000/706.3	No	170 686	372 036	372 044	380 309	380 311	FRM-...-D-MAXI-...					
	15000/529.7	Yes	170 689					FRM-H-...-D-MAXI-...					
1	17400/614.5	No	170 686	372 037	372 045	380 313	380 315	FRM-...-D-MAXI-...					
	13400/473.2	Yes	170 689					FRM-H-...-D-MAXI-...					

☐ Not available

Next...Step 2

Inch

Metric

Distributor Block Selector Guide

D-Series Service Units Port Sizes 1/8" to 1"

Step 2: Based upon the Product Type/Description from Step 1, select the Joining Rods [Item **3**], the Port Block Screws [Item **4**], the Port Block Seals [Item **5**], and the Mounting Bracket Kit [Item **6**].

	Item 3	Item 4	Item 5	Item 6 [Not shown]
Product Type/Description	Single Unit Joining Rod	Port Block Screw	Port Block Seal	Mounting Bracket Kit
FRM-...-D-MINI-...	359 787	200 664	235 260	159 638
FRM-H-...-D-MINI-...				
FRM-...-D-MIDI-...	369 989	202 824	200 950	159 593
FRM-H-...-D-MIDI-...				
FRM-...-D-MAXI-...	373 059		234 380	159 593
FRM-H-...-D-MAXI-...				

Step3: Determine the appropriate quantity of each Item.

Ordering Example:

Required: 3/8 port size, 5000 l/min flow, non-return flow check valve, BSP threads.

	Item	Part No.	Qty	Description
Order:	1	170 688	1	Main Unit
	2	380 297	1	Left Port Block
		380 299	1	Right Port Block
	3	369 989	2	Single Unit Joining Rod
	4	202 824	4	Port Block Screws
	5	200 950	3	Port Block Seals
	6	159 593	1	Mounting Bracket Kit