

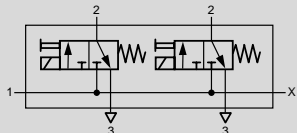
Compact 2000 / M5/2N System Valves

3/2 Single Solenoid Valves, M5, Common Manifold

Single Solenoid Valve

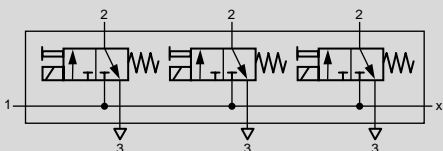
Spring Return with Manual Override
Two 3 way, 2 position solenoid valves on common manifold

Type BMFH-2-3-M5



Three 3 way, 2 position solenoid valves on common manifold

Type BMFH-3-3-M5



When the solenoid is energized, the valve shifts and remains shifted until the solenoid is deenergized.

Manifolds can be connected to one another by means of Type BX-M5 connecting plugs.

Permissible torque on solenoid mounting nuts = 13 lb in / 150 Ncm

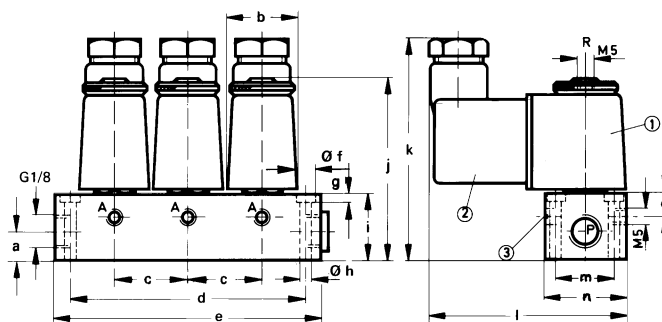
Connecting Plugs: Order No. 4524 BX-M5

- 1 (P) = Supply
- 2 (A) = Outlet or Working
- 3 (R) = Exhaust

Valve shown with solenoid and socket accessories.



Type BMFH-2-3-M5
BMFH-3-3-M5



Dimensions

Type BMFH-2-3, M5 dimensions are in parenthesis.

a	0.33 in / 8.5 mm	e	3.27 (2.36) in / 83 (60) mm	j	2.13 in / 54 mm
b	0.87 in / 22 mm	f	0.24 in / 6 mm	k	2.68 in / 68 mm
c	0.91 in / 23 mm	g	0.09 in / 2.4 mm	l	2.40 in / 61 mm
d	2.88 (1.97) in / 73 (50) mm	h	0.14 in / 3.6 mm	m	0.71 in / 18 mm
		i	0.79 in / 20 mm	n	0.99 in / 25 mm
				o	0.28 in / 7 mm

- ① Solenoid coil can be rotated
- ② Socket can be turned 180°
- ③ Manual override

Accessories:
(Ordered Separately)

Solenoid F-coils
with socket, see page 647
without socket, see page 648

Standard Sockets, Type MSSD-F
see page 649

Sockets with cable, Type KMF-...
see page 650

LED Gaskets, Type MF-LD-...
see page 651

Indicator Inserts, Type MFL-...
see page 652

Solenoid Inserts, Type MFZ-...
see page 653

Order Number		4522 BMFH-2-3-M5	4523 BMFH-3-3-M5
Medium		Compressed air (filtered, lubricated or unlubricated)	
Mounting		Holes through housing	
Connection		P: G 1/8 ISO; A, R: M5	
Orifice Size		0.05 in / 1.3 mm	
C _v Factor (P → A)		0.05 C _v / 50 l/min	
Pressure Range		0 to 120 psi / 0 to 8 bar	
Response Time at 90 psi / 6 bar		On: 15 ms, Off: 22 ms	
Ambient Temperature		23 to 104°F / -5 to +40°C	
Medium Temperature		14 to 140°F / -10 to +60°C	
Design		Seat valve, directly actuated, with spring return	
Materials		Housing: Al, blue anodized. Seals: Buna N	
Weight		0.540 lb / 0.245 kg	0.772 lb / 0.350 kg
Direct Current	Standard Voltage	12, 24 V	
	Available Voltage	12 to 220 V	
Alternating Current	Standard Voltage	24, 42, 110, 220 V / 50 Hz or 50 and 60 Hz	
	Available Voltage	128 to 240 V / 50 or 60 Hz	
Power Consumption	DC	4.5 W	
	AC	Inrush 7.5 VA, Holding 6 VA	
ED Switching Time		100%	
Type of Protection		IP 65 (DIN 40050)	

For solenoids,
see pages 647, 648.