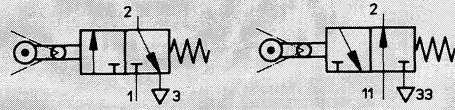


# Mechanically Actuated Limit Valves

3/2 - 3 Way, 2 Position Valves, Directly Actuated, Barbed Fittings for 3/16 in\* / 3 mm Tubing

## Swivel Lever, Limit Valve

Type RW/O-3-PK-3

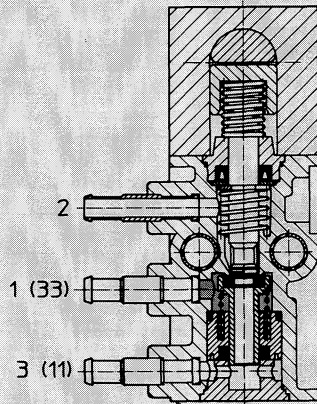


This valve is mechanically operated by a cam attached to the lever arm.

Depending on the connections, the valve functions as "normally closed" (1, blocked, 2 → 3 exhausted) or "normally open" (11 → 2, 33 blocked).

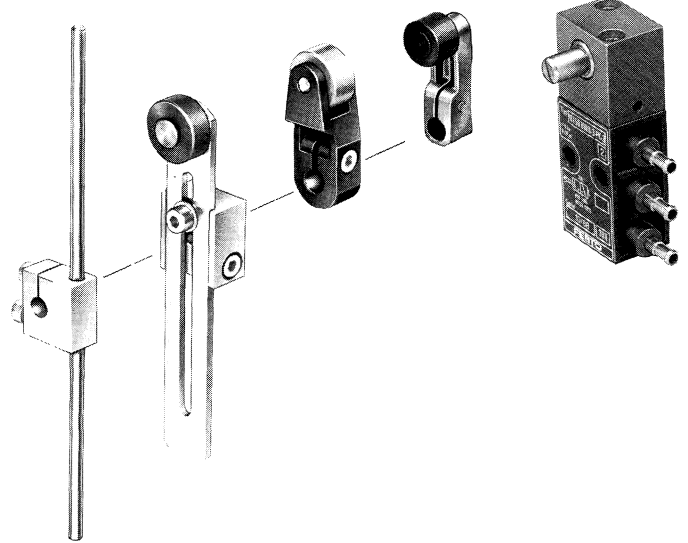
Example:

Type RW/O-3-PK-3



1, 11 (P) = Supply  
2 (A) = Outlet  
3, 33 (R) = Exhaust

Type ASS-02    ASL-02    ASK-02    ASK-01    RW/O-3-PK-3



**Additional Actuators:**  
(Order separately)

### Swivel Lever (short)

Type ASK-01  
ASK-02



### Swivel Lever (long)

Type ASL-02



### Swivel Rod

Type ASS-02



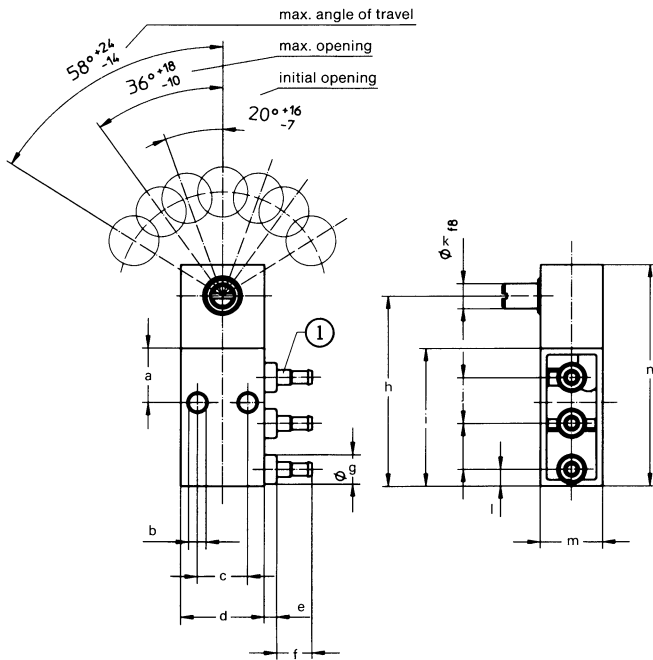
### NOTE:

With the ASL-02 or ASS-02 at full extension, the arm's momentum, when released, may carry it past the zero position and cause a signal.

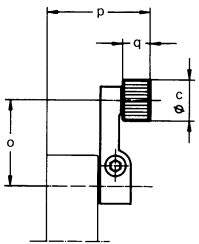
Order Number	10750 RW/O-3-PK-3	13248 ASK-01	5835 ASK-02	5836 ASL-02	4789 ASS-02
Medium	Compressed air (filtered, lubricated, or unlubricated)				
Design	Poppet valve, directly actuated, with spring return				
Mounting	Through holes in housing				
Connection	Barbed fittings for 3/16 in* / 3 mm tubing				
Orifice Size	0.10 in / 2.5 mm				
C <sub>v</sub> Factor (P → A)	0.08 C <sub>v</sub> / 80 l/min				
Pressure Range	0 to 120 psi / 0 to 8 bar				
Operating Force at 90 psi / 6 bar	2.92 lbf / 13 N, Normally open: 3.60 lbf / 16 N				
Temperature Range	+14 to 140°F / -10 to +60°C				
Material	Housing: Polymer Seals: Buna N	Diecast zinc	Al, steel		
Weight	0.088 lb / 0.040 kg	0.044 lb / 0.020 kg	0.066 lb / 0.030 kg	0.077 lb / 0.035 kg	0.066 lb / 0.030 kg

\* Approximate equivalent.

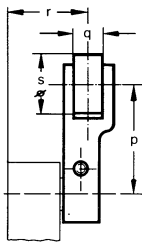
### Type RW / O-3-PK-3



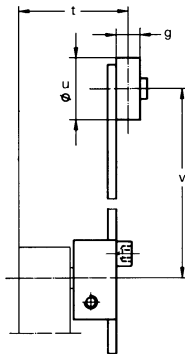
### Type ASK-01



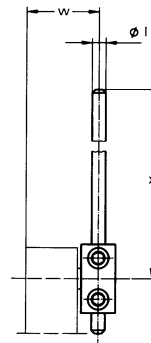
### Type ASK-02



### Type ASL-02



### Type ASS-02

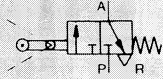


# Mechanically Actuated Limit Valves

## 3/2 - 3 Way, 2 Position Valves, Directly Actuated, M5

### Swivel Lever Limit Valve Normally Closed

Type RW-3-M5



The valve is mechanically operated by a cam attached to the lever arms.

#### Additional Actuators:

#### Swivel Lever,

for Limit Valve  
Type ASK-02



#### Swivel Lever, Adjustable,

for Limit Valve  
Type ASL-02



#### Swivel Lever, Rod,

for Limit Valve  
Type ASS-02



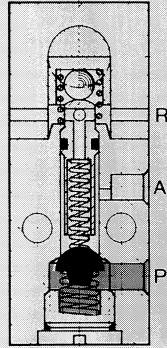
#### NOTE

With the ASL-02 or ASS-02 at full extension, the arm's momentum when released may carry it past the zero position and cause a signal.

#### Accessories:

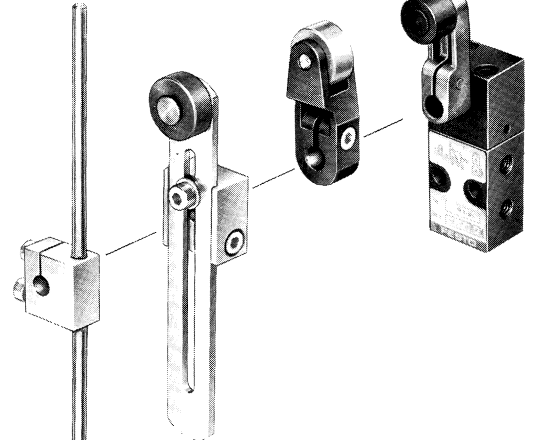
(Order separately)  
Bracket  
Order No. 9634 HV-M5  
See page 790.

Example: Type RW-3-M5

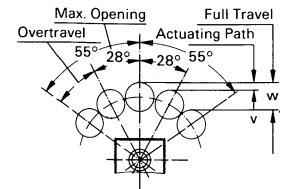
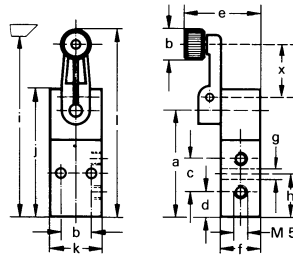


- 1 (P) = Supply (or vacuum)
- 2 (A) = Outlet
- 3 (R) = Exhaust

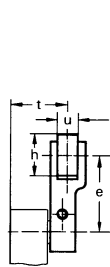
Type ASS-02 ASL-02 ASK-02 RW-3-M5



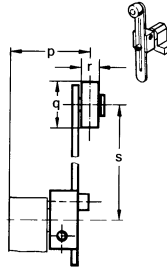
Type RW-3-M5



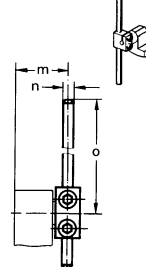
Type ASK-02



Type ASL-02



Type ASS-02



#### Dimensions

a	1.65 in / 42 mm	j	1.97 in / 50 mm	r	0.28 in / 7 mm
b	0.47 in / 12 mm	k	0.79 in / 20 mm	s	0.99 to 3.35 in / 25 to 85 mm
c	0.51 in / 13 mm	l	2.90 in / 73.5 mm	t	0.91 in / 23 mm
d	0.31 in / 10 mm	m	0.83 in / 21 mm	u	0.32 in / 8 mm
e	1.18 in / 30 mm	n	0.16 in / 4 mm	v	0.12 in / 3 mm
f	0.59 in / 15 mm	o	1.18 to 5.51 in / 30 to 140 mm	w	0.42 in / 10.6 mm
g	1.70 in / 43 mm	p	1.26 in / 32 mm	x	1 in / 25.5 mm
h	0.67 in / 17 mm	q	0.71 in / 18 mm		
i	2.78 in / 70.5 mm				

Order Number	Valve	4031 RW-3-M5		
	Actuators	5835 ASK-02	5836 ASL-02	4789 ASS-02
Medium	Compressed air (filtered, lubricated or unlubricated) can be used for vacuum			
Mounting	Two holes through housing			
Connection	M5			
Orifice Size	0.079 in / 2 mm			
C <sub>v</sub> Factor	0.08 C <sub>v</sub> / 80 l/min			
Pressure Range	28.5 in Hg-120 psi / -0.95-8 bar			
Operating Force at 90 psi / 6 bar Supply*	1.8 lbf / 8 N	—		
Design	Seat valve, directly actuated, with spring return			
Material	Housing: Al, blue anodized. Seals: Buna N	Al, steel		
Weight	0.143 lb / 0.065 kg	0.066 lb / 0.030 kg	0.077 lb / 0.035 kg	0.066 lb / 0.030 kg

\* 14 to 140°F / -10 to +60°C temperature range of medium

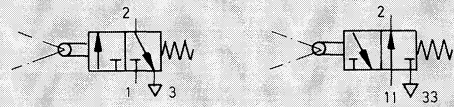
## Swivel Lever, Limit Valve

Spring Return

Type RW/O-3-1/8

Corrosion-and Acid-Resistant Design

Type RW/O-3-1/8-S9



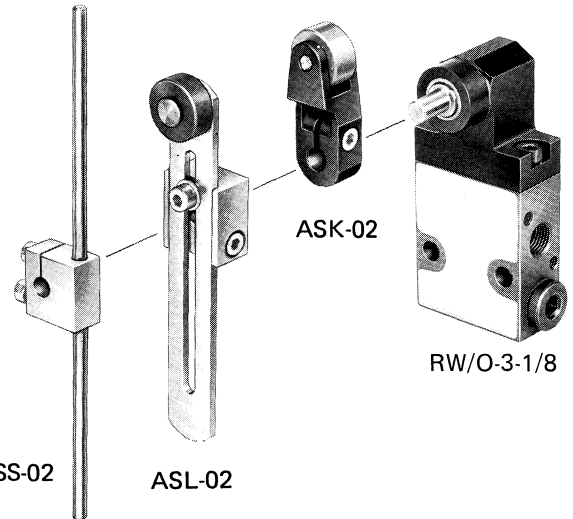
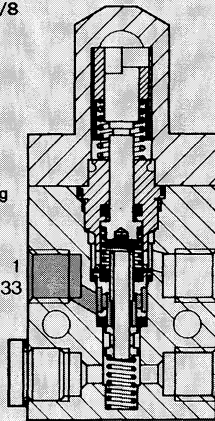
Depending on the selection of ports, the valve, when idle, is normally closed (P<sub>1</sub> blocked, A exhausted to R<sub>1</sub>) or normally open (P<sub>2</sub> connected to A, R<sub>2</sub> blocked).

The valve is actuated mechanically by a cam. By reversing two parts in the switch-head, various actuation points may be obtained (see page 804.)

Example: RW/O-3-1/8

Complete with:  
1 bracket, 2 cap-screws, 2 hex nuts and spring washers.

1, 11 (P) = Supply  
2 (A) = Operating outlet  
3, 33 (R) = Exhaust



### Accessories:

(Order separately)  
Mounting Bracket  
Order No. 9635 HV-1/8

Actuators: (Order Separately)

**Swivel Lever**, for Limit Valve  
Type ASK-02



Corrosion-and Acid-Resistant Design  
Type ASK-02-S9



**Swivel Lever, Adjustable**, for Limit Valve  
Type ASL-02

**Swivel Lever, Rod**, for Limit Valve  
Type ASS-02



Order Number	Valve	4937 RW/O-3-1/8			
	Type S9 Valve	10062 RW/O-3-1/8-S9			
	Actuators	—	5835 ASK-02	5836 ASL-02	4789 ASS-02
	Type S9 Actuator	—	10077 ASK-02-S9		
Medium		Compressed air or vacuum† (filtered, lubricated or unlubricated)			
Mounting		Two holes through housing			
Connection		G 1/8 ISO			
Orifice Size		0.14 in / 3.5 mm			
C <sub>v</sub> Factor (P → A)		0.14 C <sub>v</sub> / 140 l/min			
Pressure Range		28.5 in Hg to 120 psi / -0.95 to +8 bar			
Operating Force at 90 psi / 6 bar Supply*	Min Max	— —	— 1.57 lbf / 7 N	** **	** **
Design		Seat valve, directly actuated, with spring return			
Material		Housing: Al, blue anodized. Seals: Buna N	Al, steel		
	Type S9	Housing: 304 Stainless steel Seals: Buna N	304 Stainless steel	—	
Weight		0.331 lb / 0.150 kg	0.066 lb / 0.030 kg	0.007 lb / 0.035 kg	0.066 lb / 0.030 kg
	Type S9	0.661 lb / 0.300 kg	0.132 lb / 0.060 kg	—	

\* 14 to 140°F / -10 to +60°C

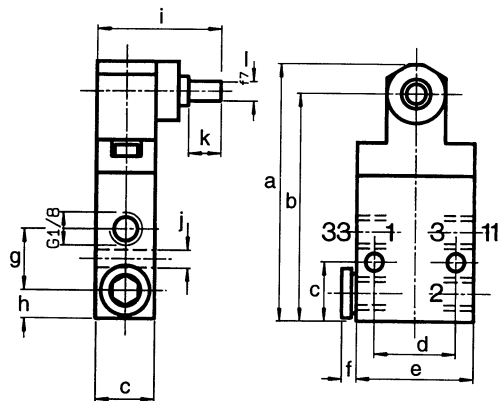
\*\* Depends on the travel distance.

† Vacuum connection at P<sub>1</sub> or P<sub>2</sub>

# Mechanically Actuated Limit Valves

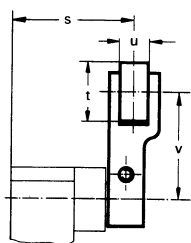
## Dimensions

Type RW/O-3-1/8  
RW/O-3-1/8-S9

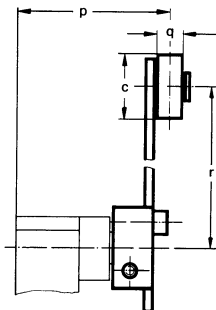


- 1, 11 (P) = Supply
- 2 (A) = Operating or Outlet Port
- 3, 33 (R) = Exhaust

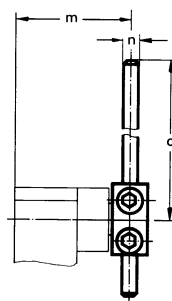
Type ASK-02  
ASK-02-S9



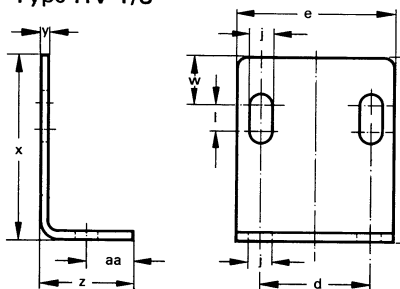
Type ASL-02



Type ASS-02



Type HV-1/8

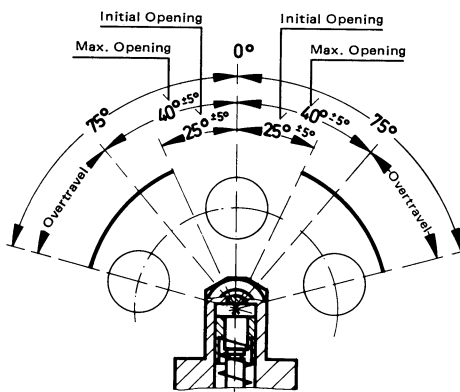


### Dimensions

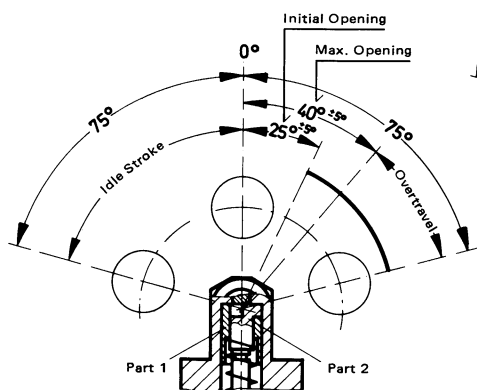
a	3.07 in / 78 mm	j	0.21 in / 5.3 mm	s	1.38 in / 35 mm
b	2.72 in / 69 mm	k	0.39 in / 10 mm	t	0.67 in / 17 mm
c	0.71 in / 18 mm	l	0.24 in / 6 mm	u	0.32 in / 8 mm
d	0.99 in / 25 mm	m	1.30 in / 33 mm	v	1.18 in / 30 mm
e	1.42 in / 36 mm	n	0.16 in / 4 mm	w	0.43 in / 11 mm
f	0.18 in / 4.5 mm	o	0.18 to 5.52 in / 30 to 140 mm	x	1.65 in / 42 mm
g	0.73 in / 18.5 mm	p	1.73 in / 44 mm	y	0.08 in / 2 mm
h	0.33 in / 8.5 mm	q	0.28 in / 7 mm	z	0.83 in / 21 mm
i	1.50 in / 38 mm	r	0.99 to 3.55 in / 25 to 85 mm	aa	0.41 in / 10.5 mm

Actuation points may be changed by altering the cam inside the switch-head.

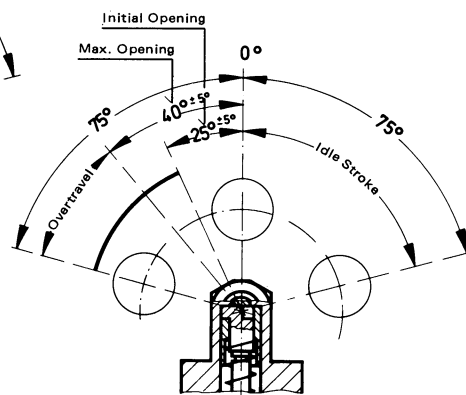
Switch head cams rotated 90°



Basic Position (as supplied)



Switch-head cams rotated 180°



# Mechanically Actuated Limit Valves

**FESTO**

3/2 - 3 Way, 2 Position Valves, Directly Actuated, G 1/8 ISO

## Pneumatic Limit Valve

Type RWN/0-3-1/8-B

with installation dimensions and switching point as per DIN 43 694



Depending on the selection of ports, this valve may have either of the following functions: No flow when normally closed (P<sub>1</sub> closed, A exhausted to R<sub>1</sub>) or normally open when not actuated (P<sub>2</sub> → A, R<sub>2</sub> closed).

**Valve Actuators:**  
(Order separately)

### Swivel Lever (short)

Type ASK-03



### Swivel Lever (long)

Type ASL-03

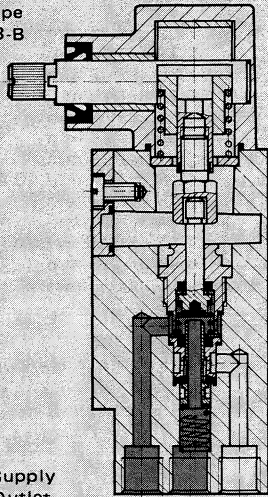


### Swivel Rod

Type ASS-03



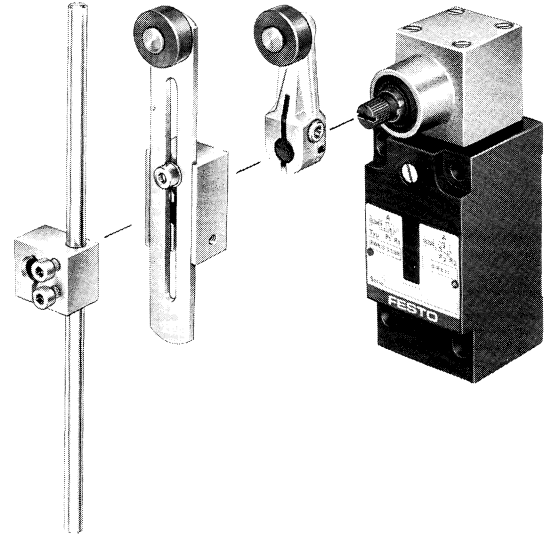
Example: Type RWN/0-3-1/8-B



1, 11 (P) = Supply  
2 (A) = Outlet  
3, 33 (R) = Exhaust

P<sub>2</sub> (R<sub>1</sub>) A R<sub>2</sub> (P<sub>1</sub>)

Type ASS-03    ASL-03    ASK-03    RWN/0-3-1/8-B



Order Number	Valve	9694 RWN/0-3-1/8-B		
	Actuators	5838 ASK-03	5839 ASL-03	5840 ASS-03
Medium		Compressed air (filtered, lubricated or unlubricated), can be used for vacuum*		
Mounting		Four holes through housing		
Connection		G 1/8 ISO		
Orifice Size		0.14 in / 3.5 mm		
C <sub>v</sub> Factor		0.12 C <sub>v</sub> / 120 l/min		
Pressure Range		28.5 in Hg to 120 psi / -0.95 to 8 bar		
Operating Force at 90 psi / 6 Bar Supply**	Min Max	— 1.69 lbf / 7.5 N	0.90 lbf / 4 N 2.9 lbf / 13 N	0.45 lbf / 2 N 2.9 lbf / 13 N
Design		Seat valve, directly actuated, with spring return		
Material	Housing	Al, anodized	Al, steel	Al, steel
	Seals	Buna N		
Weight		0.992 lb / 0.450 kg	0.066 lb / 0.030 kg	0.143 lb / 0.065 kg
				0.077 lb / 0.035 kg

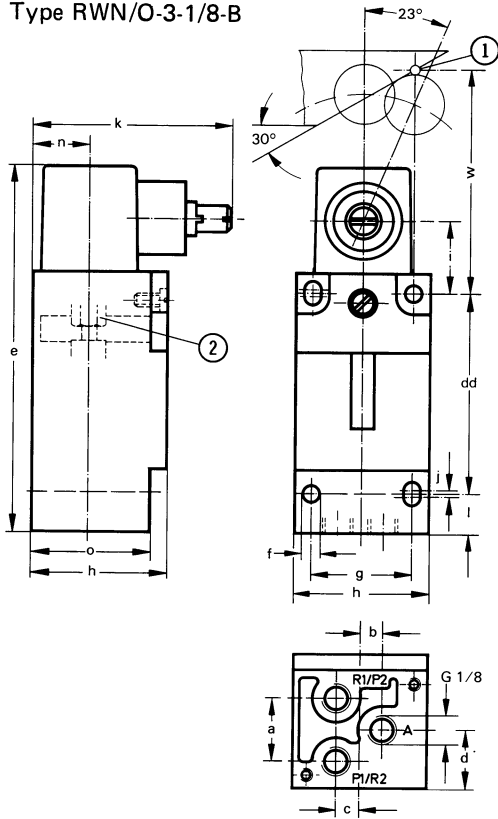
\* Vacuum connected to P<sub>1</sub> or P<sub>2</sub>

\*\* 14 to 140°F / -10 to +60°C

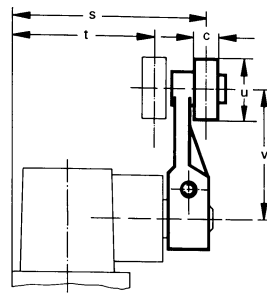
# Mechanically Actuated Limit Valves

## Dimensions

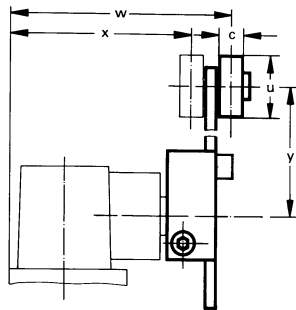
Type RWN/O-3-1/8-B



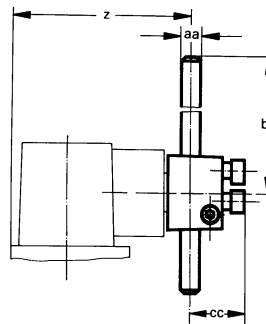
Type ASK-03



Type ASL-03



Type ASS-03



The actuating head can be rotated in 90° increments.

- ① Switching point as per DIN 43 694
- ② Adjusting screw for point of actuation

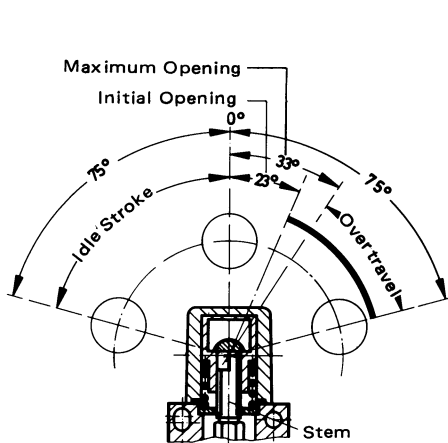
### Dimensions

- a 0.75 in / 19 mm
- b 0.36 in / 6.5 mm
- c 0.28 in / 7 mm
- d 0.69 in / 17.5 mm
- e 4.31 in / 109.5 mm
- f 0.21 in / 5.3 mm
- g 1.18 in / 30 mm
- h 1.58 in / 40 mm
- i 0.85 in / 21.5 mm
- j 0.08 in / 2 mm
- k 2.32 in / 59 mm
- l 0.47 in / 12 mm
- m 0.98 in / 25 mm
- n 0.65 in / 16.5 mm
- o 1.38 in / 35 mm
- p 0.32 in / 8 mm
- q 0.53 in / 13.5 mm
- r 1.02 in / 26 mm
- s 2.29 in / 58 mm
- t 1.85 in / 47 mm
- u 0.71 in / 18 mm
- v 1.50 in / 38 mm
- w 2.60 in / 65 mm
- x 2.21 in / 56 mm
- y 1.18 to 3.39 in / 30 to 86 mm
- z 2.09 in / 53 mm
- aa 0.24 in / 6 mm
- bb 1.18 to 5.59 in / 30 to 142 mm
- cc 0.63 in / 16 mm
- dd 2.36 in / 60 mm

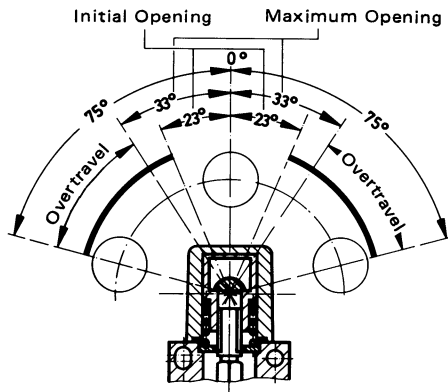
- 1, 11 (P) = Supply port (or vacuum)
- 2 (A) = Working or outlet
- 3, 33 (R) = Exhaust

### Operational Range Set by Rotating the Stem

#### Initial Setting (as Supplied)



#### Stem Rotated 90° around Longitudinal Axis



#### Stem rotated 180° around Longitudinal Axis

