

Midi-Pneumatic Sub-bases/Manifolds

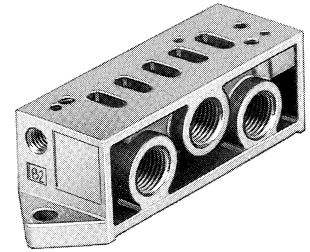
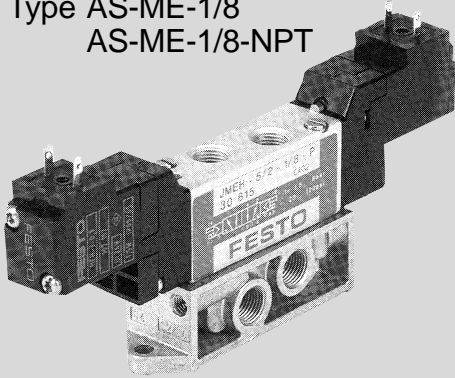
Single Sub-bases, INCH and Metric Series

Sub-base

For solenoid valves with 0.16 in / 4 mm orifice or 0.20 in / 5 mm orifice

Side connections

Type AS-ME-1/8
AS-ME-1/8-NPT

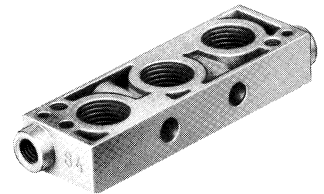
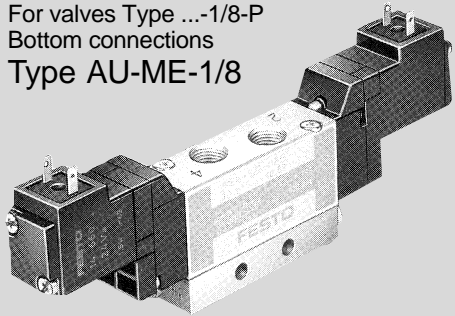


Sub-base

For valves Type ...-1/8-P

Bottom connections

Type AU-ME-1/8

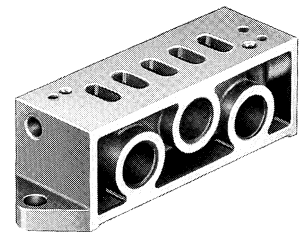
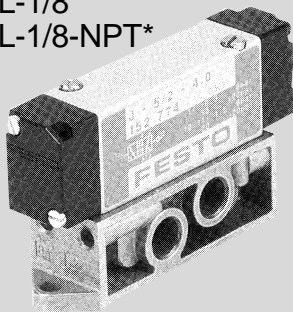


Sub-base

For pneumatically-actuated valves with 0.16 in / 4 mm orifice or 0.20 in / 5 mm orifice.

Side connections

Type AS-VL-1/8*
AS-VL-1/8-NPT*



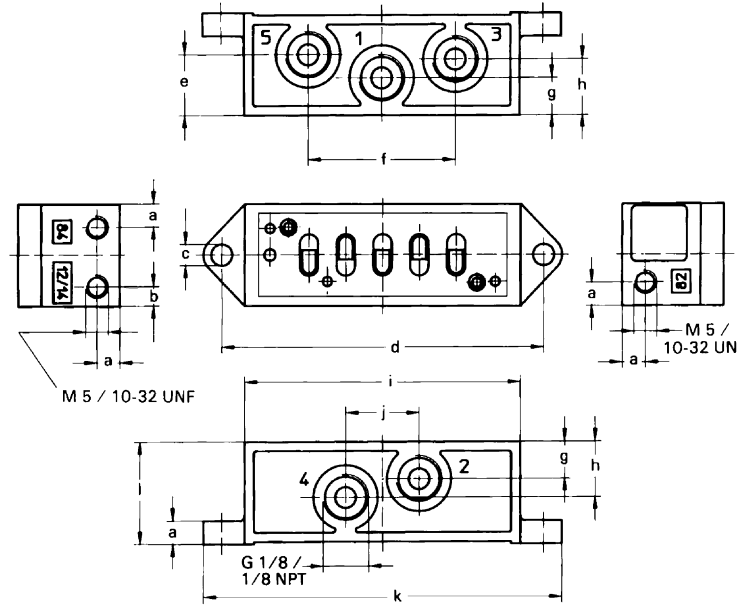
Order Number		33405 AS-ME-1/8	151659 AS-ME-1/8-NPT	32797 AU-ME-1/8
		152803 AS-VL-1/8	152804 AS-VL-1/8-NPT	
Mounting		Through-holes		
Connection	Working Port	G 1/8 ISO	1/8 NPT	G 1/8 ISO
	Pilot Port	M5	10-32 UNF	M5
Material		Diecast aluminum		
Weight		0.110 lb / 0.050 kg		0.033 lb / 0.015 kg

*For use with Midi-Pneumatic valves, Type VL-/J-...-5.0

Midi-Pneumatic Sub-bases/Manifolds

Single Sub-bases, Dimensions

Type AS-ME-...

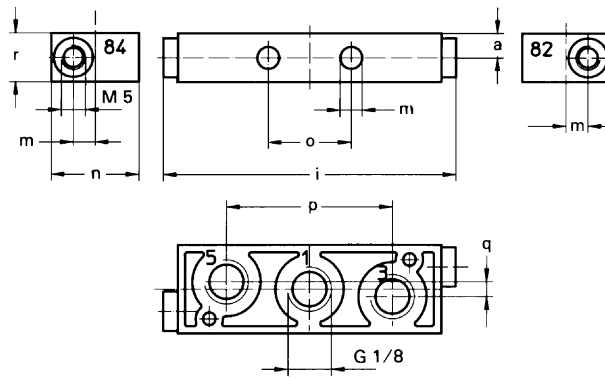


- 1 (P) = Supply port
- 4, 2 (A, B) = Working or outlet port
- 5, 3 (R, S) = Exhaust port
- 12, 14 = External pilot
- 82, 84 = Pilot exhaust

Dimensions

- a 0.20 in / 5 mm
- b 0.17 in / 4.2 mm
- c 0.18 in / 4.6 mm
- d 2.76 in / 70 mm
- e 0.51 in / 13 mm
- f 1.26 in / 32 mm
- g 0.31 in / 8 mm
- h 0.47 in / 12 mm
- i 2.36 in / 60 mm
- j 0.63 in / 16 mm
- k 3.07 in / 78 mm
- l 0.87 in / 22 mm
- m 0.18 in / 4.5 mm
- n 0.71 in / 18 mm
- o 0.67 in / 17 mm
- p 1.34 in / 34 mm
- q 0.12 in / 3 mm
- r 0.39 in / 10 mm

Type AU-ME-1/8



Type AS-VL-...

