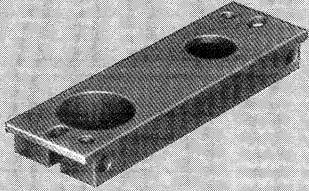


Mounting Plate

Type APL-2N-PEV

To mount Type PEV-1/4 pressure switch on 2n-width mounting frames.



The pressure switch is fastened to the mounting plate using a G 1/4 ISO tube connector such as Type CK-1/4-... or reducing nipple Type D-1/8 i-1/4a.

Type APL-2N-VPEV

To mount Type VPEV-1/8 pressure switch on 2n-width mounting frames.

Mounting Plate

Type APL-2N-VUZ

To mount Type VUZ time-delay valve on 2n-width mounting frames.

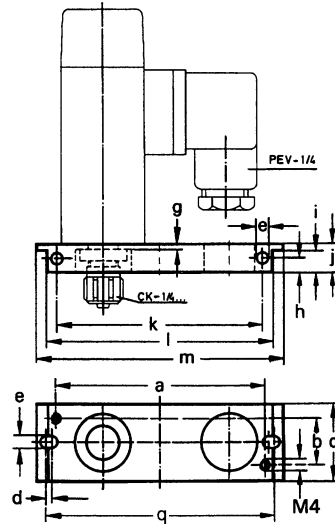
Mounting Plate

Type APL-2N-G

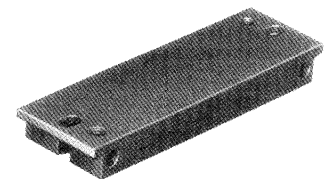
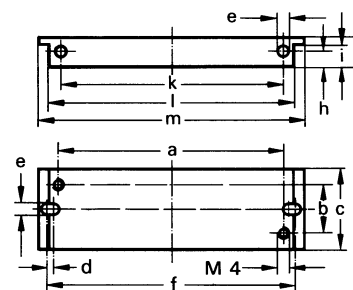
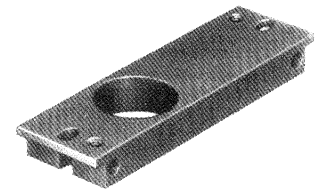
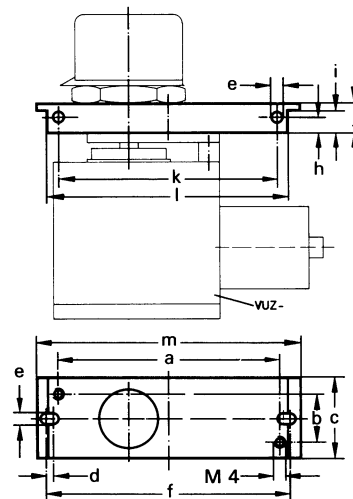
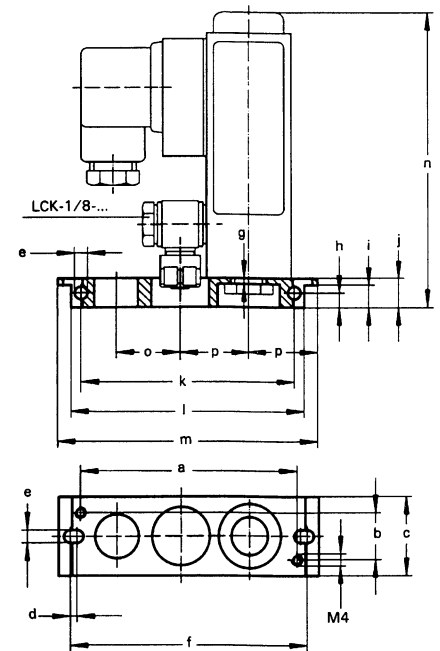
This mounting plate is used to fill sections on a mounting frame or can be modified to mount various components for which no mounting plate is available.

The following accessories are required for assemblies mounted on the Type NVR-2N mounting frame:
 2 brackets, Order No. 5658 NRW-9/1.5-B
 2 socket head capscrews, M 4 x 10 DIN 84, galvanized, Order No. 200525.

Type APL-2N-PEV



Type APL-2N-VPEV



Dimensions

a	2.95 in / 75 mm	i	0.30 in / 7.7 mm
b	0.63 in / 16 mm	j	0.39 in / 10 mm
c	1.06 in / 27 mm	k	2.91 in / 74 mm
d	0.09 in / 2.3 mm	l	3.18 in / 80.8 mm
e	0.17 in / 4.4 mm	m	3.48 in / 88.5 mm
f	3.19 in / 81 mm	n	3.98 in / 101 mm
g	0.08 in / 2 mm	o	0.87 in / 22 mm
h	0.20 in / 5 mm	p	0.94 in / 24 mm
		q	3.23 in / 82 mm

Order Number	9349 APL-2N-PEV	9350 APL-2N-VUZ	9348 APL-2N-G	150218 APL-2N-VPEV
Mounting	Through holes or rack mounted			
Material	Polyamide			
Weight	0.066 lb / 0.030 kg	0.066 lb / 0.030 kg	0.077 lb / 0.035 kg	0.066 lb / 0.030 kg