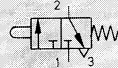


Mechanically Actuated Limit Valves

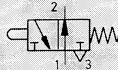
3/2 - 3 Way, 2 Position Valves, **Inch** and Metric Series, Barbed Fittings for PU 1/8 or 3/16 in** / 3 mm Tubing

Micro Valve, Stem Actuated

Type S-3-PK-3-B



Type SO-3-PK-3-B



The external dimensions of these valves meet the specifications of DIN 41635 form A.

The switching point is pressure-dependent and varies up to 0.03 in / 0.8 mm in the pressure range from 0 to 120 psi / 0 to 8 bar.

The maximum by which the switching point may be exceeded is 0.02 in / 0.5 mm.

The valve may not be used as an end position stop.

The valve can only be actuated at right angles to the axis of the stem. If the angle deviates by $\pm 5^\circ$, valve actuators must be used.

Valve Actuators:

(Order separately)

Roller Lever Type AR-06-B
with mounting screws



Roller Lever with idle return
Type AL-06-B
with mounting screws



Rod Actuator
Type AF-06-B

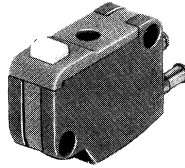


Accessory:

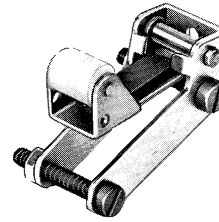
(Order separately)

Mounting plate, Type MPL-04

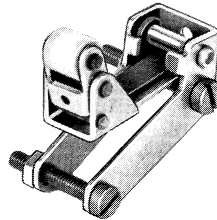
Type S-3-PK-3-B
SO-3-PK-3-B



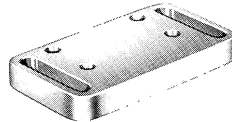
Type AR-06-B



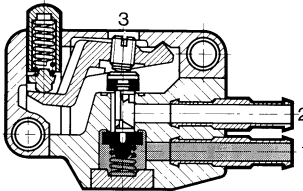
Type AL-06-B



Type MPL-04

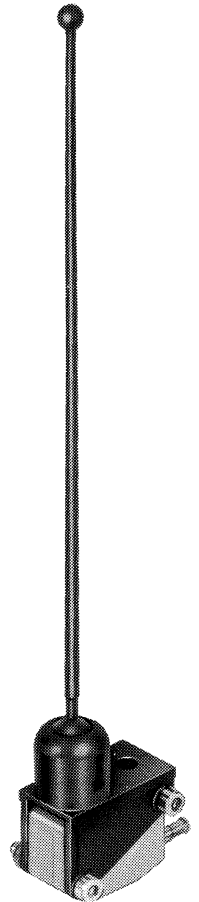


Example: Type S-3-PK-3-B



- 1 (P) = Supply port
- 2 (A) = Working or outlet line
- 3 (R) = Exhaust

Type AF-06-B



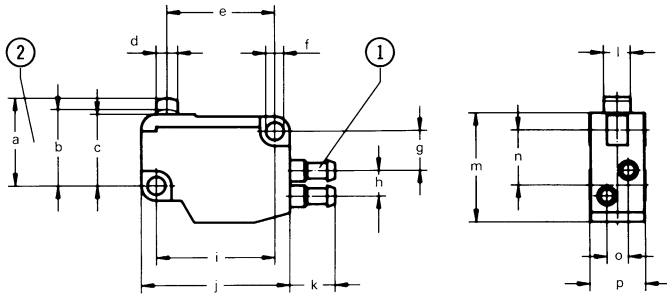
Part No./Type	Basic Valve	Metric	7843	10403	Valve Actuators	—	—	Mounting Plate
			S-3-PK-3-B	SO-3-PK-3-B		10098	10099	
		NPT			AR-06-B	AL-06-B	AF-06-B	MPL-04
Medium	Compressed air (filtered, lubricated or unlubricated) or vacuum†							
Mounting	Two holes through housing or on mounting plate							
Connection	Barbed fitting for 3/16 in** / 3 mm tubing							
Orifice Size	0.07 in / 1.8 mm							
C _v Factor	0.06 C _v / 60 l/min							
Pressure Range	28.5 in Hg to 120 psi / -0.95 to +8 bar							
Operating Force at 90 psi / 6 bar Supply*	1.3 lbf / 6 N			2.2 lbf / 10 N				
Design	Poppet valve, directly actuated, spring return							
Material	Plastic, brass			Steel, galvanized			Polyacetal	Al, anodized
Weight	0.015 lb / 0.007 kg			0.031 lb / 0.014 kg		0.033 lb / 0.015 kg	0.022 lb / 0.010 kg	0.031 lb / 0.014 kg

* 14 to 140°F / -10 to +60°C

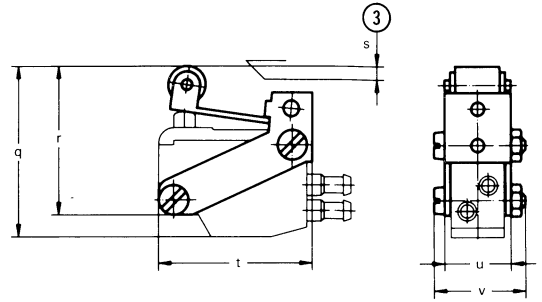
† Vacuum connection at 1 (P)

**Approximate equivalent.

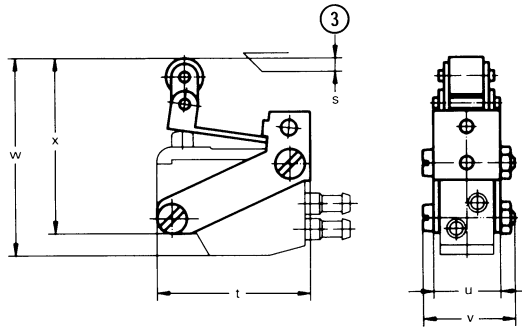
Type S-3-PK-3-B
SO-3-PK-3-B



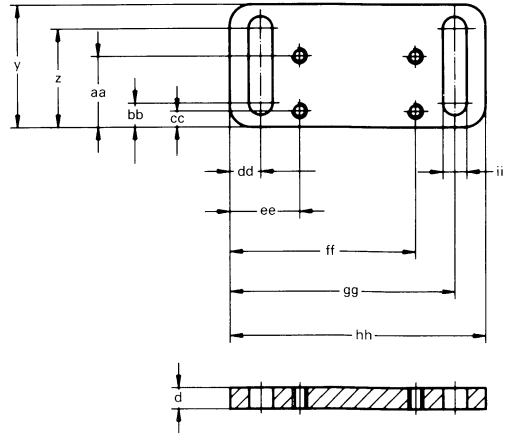
Type AR-06-B



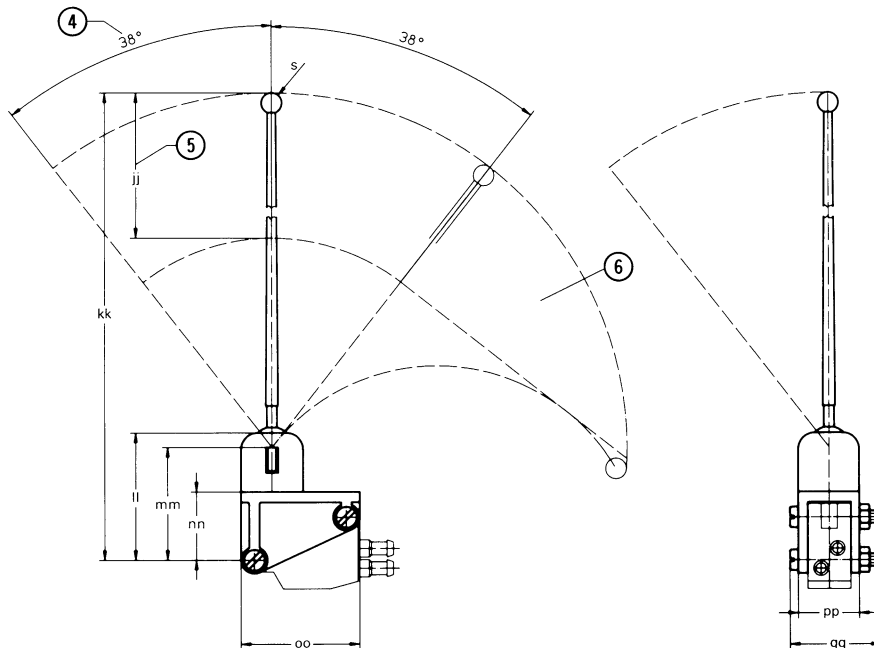
Type AL-06-B



Type MPL-04

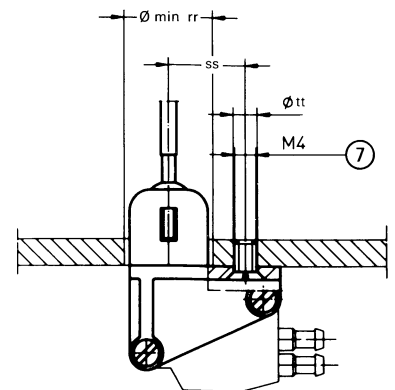


Type AF-06-B



- ① Barbed fitting for 3/16 in* / 3 mm plastic tubing
 - ② Min. switching point
 - ③ Switching path
 - ④ Required angle of activation at P = 120 psi / 8 bar
 - ⑤ Perm. starting range
 - ⑥ Excess stroke
 - ⑦ Suitable for DIN 963 screw
- * Approximate equivalent.

Installation Example



Dimensions

a 0.65 in / 16.5 mm	k 0.33 in / 8.5 mm	u 0.49 in / 12.5 mm	ee 0.52 in / 13.2 mm
b 0.57 in / 14.4 mm	l 0.20 in / 5 mm	v 0.71 in / 18 mm	ff 1.39 in / 35.4 mm
c 0.53 in / 13.5 mm	m 0.80 in / 20.4 mm	w 1.48 in / 37.5 mm	gg 1.68 in / 42.8 mm
d 0.16 in / 4 mm	n 0.41 in / 10.3 mm	x 1.30 in / 33 mm	hh 1.91 in / 48.6 mm
e 0.80 in / 20.2 mm	o 0.16 in / 4 mm	y 0.90 in / 23 mm	ii 0.18 in / 4.5 mm
f 0.13 in / 3.4 mm	p 0.41 in / 10.4 mm	z 0.73 in / 18.5 mm	jj 3.94 in / 100 mm
g 0.29 in / 7.5 mm	q 1.26 in / 32 mm	aa 0.52 in / 13.3 mm	kk 6.99 in / 177.5 mm
h 0.19 in / 4.8 mm	r 1.10 in / 28 mm	bb 0.18 in / 4.5 mm	ll 1.20 in / 30.6 mm
i 0.87 in / 22.2 mm	s 0.10 in / 2.5 mm	cc 0.12 in / 3 mm	mm 1.07 in / 27.1 mm
j 1.09 in / 27.8 mm	t 1.13 in / 28.8 mm	dd 0.23 in / 5.8 mm	nn 0.64 in / 16.4 mm
			oo 1.12 in / 28.6 mm
			pp 0.59 in / 15 mm
			qq 0.87 in / 22 mm
			rr 0.61 in / 15.6 mm
			ss 0.57 in / 14.6 mm
			tt 0.18 in / 4.5 mm