



- Air gun with lever operation
- Sturdy aluminium design
- Interchangeable nozzles

Air guns LBP

Technical data



- Sturdy aluminium design
- Interchangeable nozzles

Operating pressure
0 ... 10 bar



General technical data	
Exhaust function	Non-metered blowing
Pneumatic connection	Female thread G1/4
Operating pressure [bar]	0 ... 10
Standard nominal flow rate [l/min]	120 at 6 bar
Noise level [dB (A)]	90 at 6 bar
Material	Aluminium
Ambient temperature [°C]	-10 ... +50
Weights [g]	240

Note: This product conforms with the ISO 1179-1 standard and the ISO 228-1 standard.

6.3

Dimensions

Note
This air gun has no pressure regulating valve.

Note
Compressed air guns must not be pointed at people.

1 Sealing surface


Note: This product conforms with the ISO 1179-1 standard and the ISO 228-1 standard.

Ordering data		
Pneumatic connection	Part No.	Type
G1/4	35 528	LBP-1/4

Low consumption air guns LSP

Technical data

- Fine, infinitely variable, lever operated flow metering
- Interchangeable nozzles

 Operating pressure
0 ... 10 bar





General technical data	
Exhaust function	Metered blowing
Pneumatic connection	Female thread G1/4
Operating pressure [bar]	0 ... 10
Standard nominal flow rate [l/min]	120 at 6 bar
Noise level [dB (A)]	90 at 6 bar
Material	Polyamide
Ambient temperature [°C]	-10 ... +50
Weights [g]	125

-||- Note: This product conforms with the ISO 1179-1 standard and the ISO 228-1 standard.

Dimensions

1 Sealing surface

 Note
This air gun has no pressure regulating valve.

 Note
Compressed air guns must not be pointed at people.

-||- Note: This product conforms with the ISO 1179-1 standard and the ISO 228-1 standard.

Ordering data		
Pneumatic connection	Part No.	Type
G1/4	184 318	LSP-1/4-C

Air guns

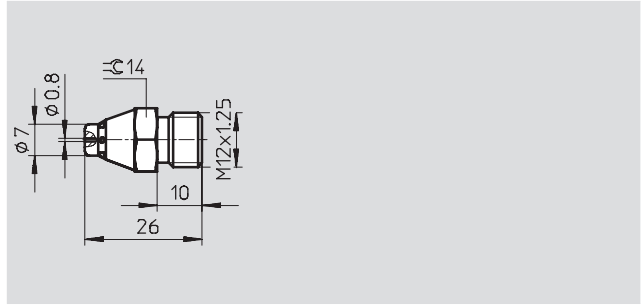
Accessories



Air gun nozzle LPZ-SD with safety shield

- Accurate, high power air jet with protective air shield for chips and dust
- Low noise level

Material:
Aluminium

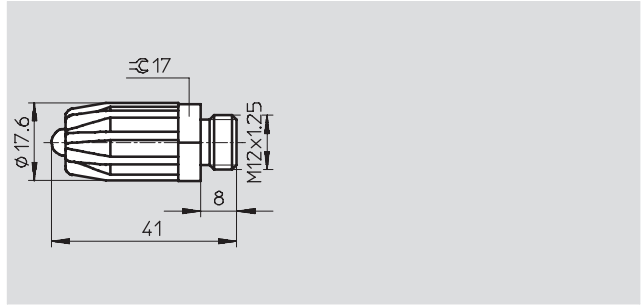


Ordering data		
	Part No.	Type
Air gun nozzle with protective air shield	184 321	LPZ-SD

Air gun nozzle LPZ-LD with noise reduction

- Powerful, focused air jet
- For blowing out, drying and cooling large surfaces
- Low noise level

Material:
Chrome plated die-cast zinc/
aluminium

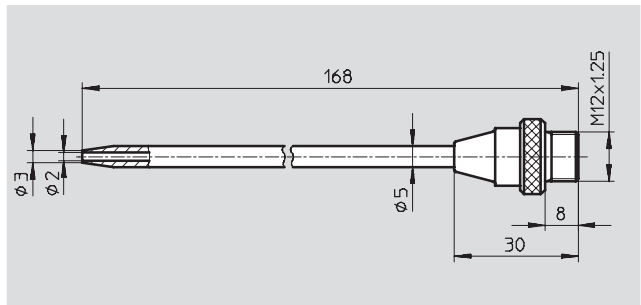


Ordering data		
	Part No.	Type
Air gun nozzle with noise reduction	184 322	LPZ-LD

Air gun nozzle LPZ-RG-150 with straight tube

- Accurate, high power air jet for difficult to access locations
- 150 mm long
- Nozzle $\varnothing 2$ mm

Material:
Brass



Ordering data		
	Part No.	Type
Air gun nozzle with straight tube	184 320	LPZ-RG-150

Air guns

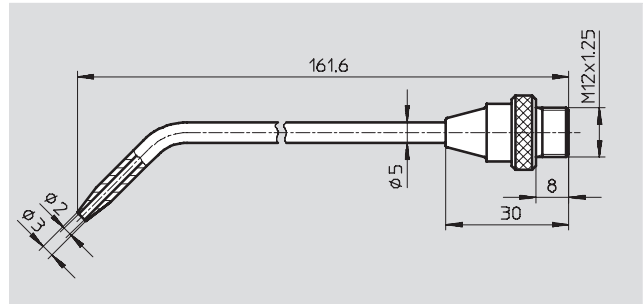
Accessories



Air gun nozzle LPZ-RB-150 with elbow tube

- Accurate, high power air jet for difficult to access locations
- 150 mm long
- Nozzle \varnothing 2 mm
- 360° rotatable

Material:
Brass



Ordering data		Part No.	Type
Air gun nozzle with elbow tube		184 319	LPZ-RB-150

Nominal flow rate q_n with fully actuated lever as a function of the output pressure p
measured using low consumption air gun LSP-1/4-C

