



- Compact
- Functional
- Multiple variants
- Versatile

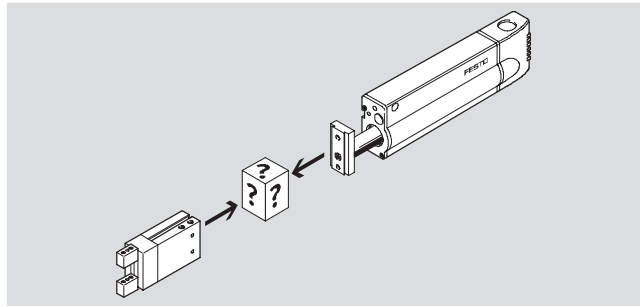
# Drive/gripper combinations

Selection aid



Adapter kits provide a fast and simple connection between Festo grippers and drives.

The scope of delivery includes the necessary accessories such as bolts, centring discs, sleeves or pins and nuts.



Possible combinations					
	HMP, HME	HMPL	DGSL	SLT, SLTE	DGPL/DGE-KF
<b>2-jaw parallel gripper</b>					
HGPT 	→ 5 / 3.2-46	→ 5 / 3.2-58	→ 5 / 3.2-65	→ 5 / 3.2-71	–
HGPL 	→ 5 / 3.2-47	→ 5 / 3.2-59	→ 5 / 3.2-66	→ 5 / 3.2-72	→ 5 / 3.2-77
HGPP 	→ 5 / 3.2-48	→ 5 / 3.2-60	→ 5 / 3.2-67	→ 5 / 3.2-73	→ 5 / 3.2-78
HGP 	→ 5 / 3.2-52	→ 5 / 3.2-61	→ 5 / 3.2-68	→ 5 / 3.2-74	→ 5 / 3.2-82
HGPC 	→ 5 / 3.2-54	→ 5 / 3.2-62	→ 5 / 3.2-69	→ 5 / 3.2-75	–
HGPM 	–	–	–	–	–
<b>3-jaw parallel gripper</b>					
HGDT 	→ 5 / 3.2-55	→ 5 / 3.2-63	→ 5 / 3.2-70	→ 5 / 3.2-76	–
HGD 	→ 5 / 3.2-50	→ 5 / 3.2-61	–	–	→ 5 / 3.2-80

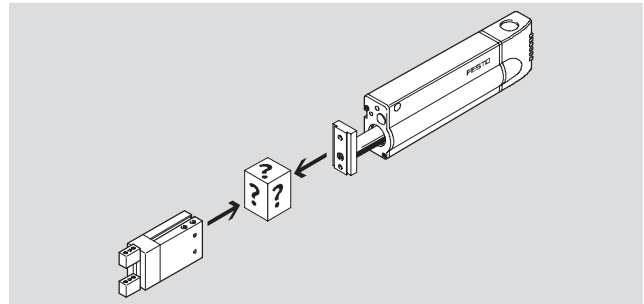
# Drive/gripper combinations









Selection aid



Adapter kits provide a fast and simple connection between Festo grippers and drives.

The scope of delivery includes the necessary accessories such as bolts, centring discs, sleeves or pins and nuts.



Possible combinations					
	DGEA	DRQD	DSL...-KF	DSM	DPZ
<b>2-jaw parallel gripper</b>					
HGPT 	-	→ 5 / 3.2-85	-	-	-
HGPL 	→ 5 / 3.2-77	→ 5 / 3.2-86	-	-	-
HGPP 	→ 5 / 3.2-78	→ 5 / 3.2-88	→ 5 / 3.2-96	→ 5 / 3.2-96	-
HGP 	→ 5 / 3.2-82	→ 5 / 3.2-90	→ 5 / 3.2-98	→ 5 / 3.2-98	→ 5 / 3.2-100
HGPC 	-	→ 5 / 3.2-93	-	-	-
HGPM 	-	→ 5 / 3.2-94	-	-	-
<b>3-jaw parallel gripper</b>					
HGDT 	-	→ 5 / 3.2-95	-	-	-
HGD 	→ 5 / 3.2-80	→ 5 / 3.2-90	→ 5 / 3.2-90	→ 5 / 3.2-90	-

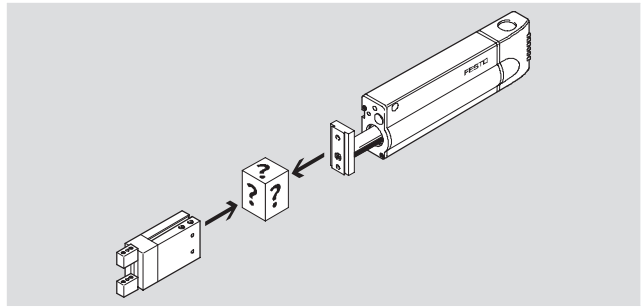
# Drive/gripper combinations

Selection aid



Adapter kits provide a fast and simple connection between Festo grippers and drives.

The scope of delivery includes the necessary accessories such as bolts, centring discs, sleeves or pins and nuts.



System components  
Adapters  
3.2

Possible combinations					
	HMP, HME	HMPL	DGSL	SLT, SLTE	DGPL/DGE-KF
<b>2-jaw angle gripper</b>					
HGW 	→ 5 / 3.2-52	→ 5 / 3.2-61	→ 5 / 3.2-68	→ 5 / 3.2-74	→ 5 / 3.2-82
HGR 	→ 5 / 3.2-52	→ 5 / 3.2-61	→ 5 / 3.2-68	→ 5 / 3.2-74	→ 5 / 3.2-82
HGWM 	-	-	-	-	-
<b>Swivel/gripper unit</b>					
HGDS 	→ 5 / 3.2-56	→ 5 / 3.2-64	-	-	→ 5 / 3.2-84

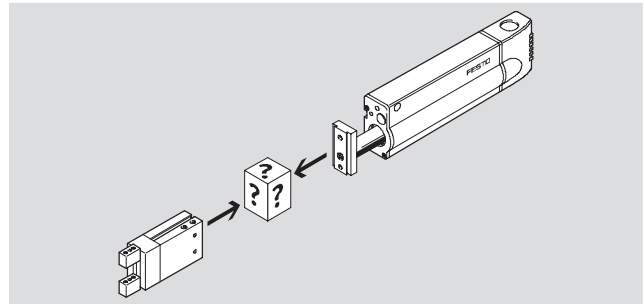
# Drive/gripper combinations





Selection aid



Adapter kits provide a fast and simple connection between Festo grippers and drives.

The scope of delivery includes the necessary accessories such as bolts, centring discs, sleeves or pins and nuts.



Possible combinations					
	DGEA	DRQD	DSL...-KF	DSM	DPZ
2-jaw angle gripper					
HGW 	→ 5 / 3.2-82	→ 5 / 3.2-90	→ 5 / 3.2-98	→ 5 / 3.2-98	→ 5 / 3.2-100
HGR 	→ 5 / 3.2-82	→ 5 / 3.2-90	→ 5 / 3.2-98	→ 5 / 3.2-98	→ 5 / 3.2-100
HGWM 	-	→ 5 / 3.2-94	-	-	-
Swivel/gripper unit					
HGDS 	→ 5 / 3.2-84	-	-	-	-

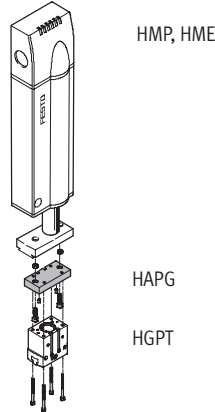
# HMP, HME/HGPT combination

Technical data



## Adapter kit HAPG

Material:  
Wrought aluminium alloy, anodised  
Centring pins/sleeves: High-alloy steel  
Free of copper, PTFE and silicone

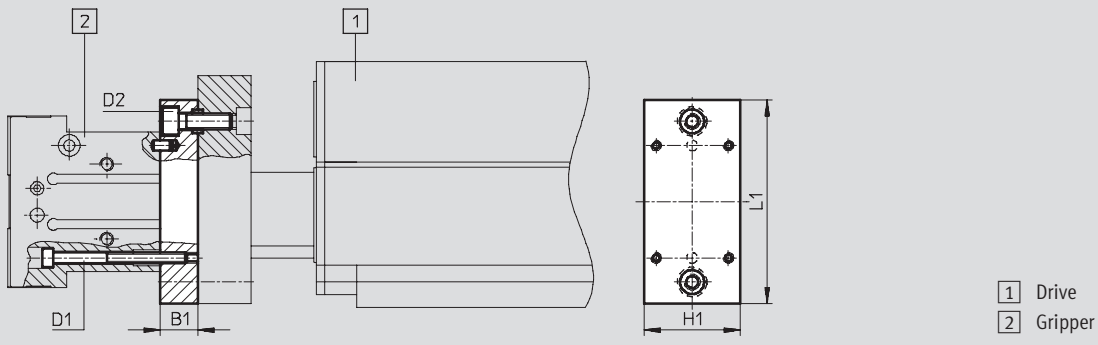


Direct mounting

## Dimensions and ordering data

Download CAD data → [www.festo.com/en/engineering](http://www.festo.com/en/engineering)

### Direct mounting



Drive	Gripper	B1	D1	D2	H1	L1	Part No.	Type
HMP/HME-16 <sup>1)</sup>	HGPT-25	14	M4	M5	36	76	537 178	HAPG-81
HMP-20 HMP/HME-25 <sup>1)</sup>	HGPT-35	12	M4	M6	54	100	537 172	HAPG-77
HMP-20 HMP/HME-25 <sup>1)</sup>	HGPT-40	12	M6	M6	80	88.5	537 182	HAPG-84
HMP/HME-25 <sup>1)</sup> HMP-32	HGPT-50	15	M6	M6	60	110	537 185	HAPG-86
HMP-32	HGPT-63	15	M4	M6	72	131.5	537 187	HAPG-87

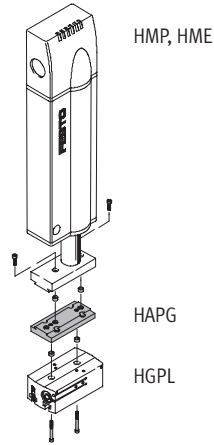
1) HME: Horizontal mounting position, vertical on request

# HMP, HME/HGPL combination

Technical data

## Adapter kit HAPG

Material:  
Wrought aluminium alloy, anodised  
Centring sleeves: High-alloy steel  
Free of copper, PTFE and silicone

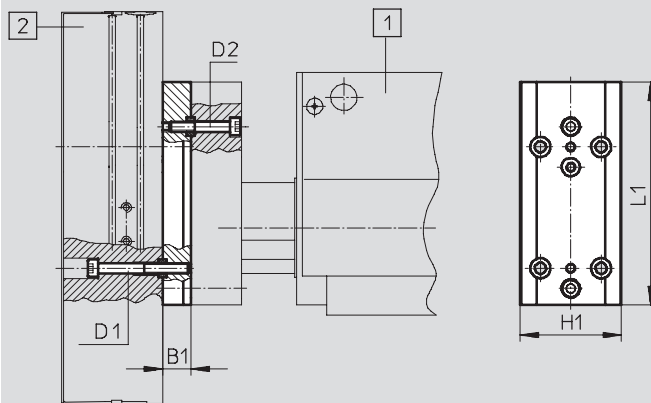


Direct mounting

## Dimensions and ordering data

Download CAD data → [www.festo.com/en/engineering](http://www.festo.com/en/engineering)

Direct mounting



- 1 Drive
- 2 Gripper

Drive	Gripper	B1	D1	D2	H1	L1	Part No.	Type
HMP/HME-16 <sup>1)</sup> HMP-20	HGPL-14	-	-	-	-	-	-	2x M5x25 DIN 912 2x ZBH-9
HMP-20 HMP/HME-25 <sup>1)</sup>	HGPL-25	14	M5	M5	50	110	539 887	HAPG-92
HMP/HME-25 <sup>1)</sup> HMP-32	HGPL-40	20	M8	M5	60	120	537 312	HAPG-SD2-30

1) HME: Horizontal mounting position, vertical on request

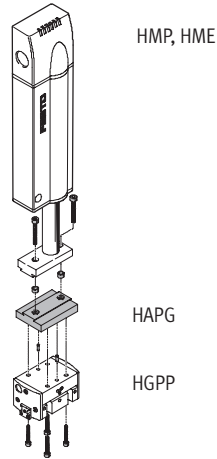
# HMP, HME/HGPP combination

Technical data

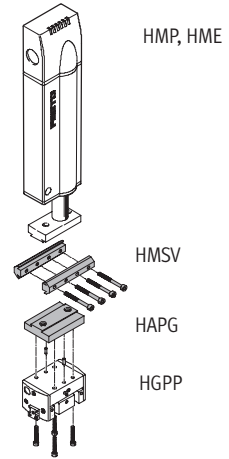


## Adapter kit HAPG, HMSV

Material:  
Wrought aluminium alloy, anodised  
Centring pins/sleeves: High-alloy steel  
Free of copper, PTFE and silicone



Direct mounting

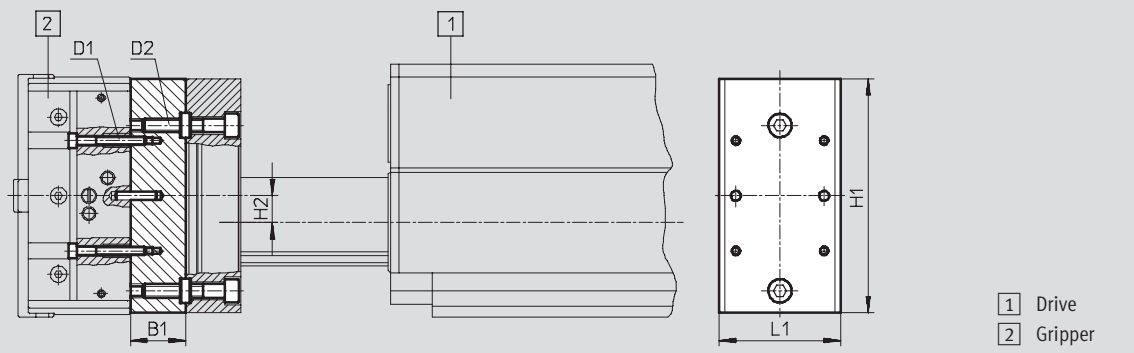


Dovetail mounting

## Dimensions and ordering data

Download CAD data → [www.festo.com/en/engineering](http://www.festo.com/en/engineering)

### Direct mounting



Drive	Gripper	B1	D1	D2	H1	H2	L1	Part No.	Type
HMP/HME-16 <sup>1)</sup>	HGPP-12	20	M3	M5	85	9.5	44	191 262	HAPG-44
HMP/HME-16 <sup>1)</sup>	HGPP-16	20	M3	M5	85	9.5	44	191 263	HAPG-45
HMP-20 HMP/HME-25 <sup>1)</sup>	HGPP-16	20	M3	M5	100.4	4.7	51	191 264	HAPG-46
HMP/HME-25 <sup>1)</sup>	HGPP-20	12	M4	M5	110	7	50	191 265	HAPG-47
HMP/HME-25 <sup>1)</sup>	HGPP-25	18	M5	M5	110	–	60	529 019	HAPG-59
HMP-32	HGPP-32	18	M5	M5	133	–	60	529 020	HAPG-61

1) HME: Horizontal mounting position, vertical on request



# HMP, HME/HGPP combination

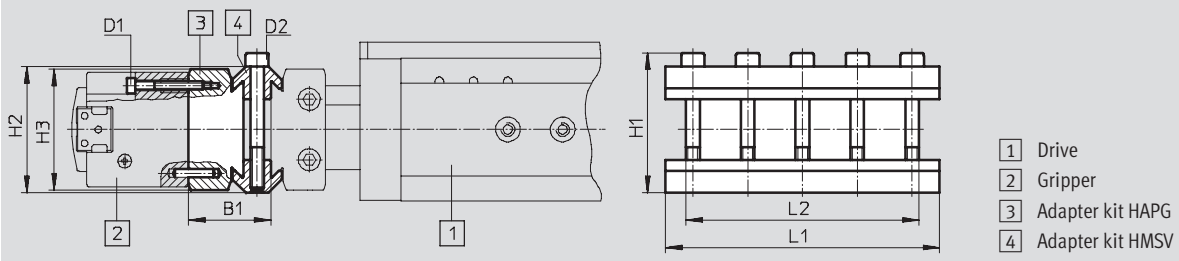
Technical data



## Dimensions and ordering data

Download CAD data → [www.festo.com/en/engineering](http://www.festo.com/en/engineering)

Dovetail mounting



Drive	Gripper	B1	D1	D2	H1	H2	H3	L1	L2	Part No.	Type
HMP/HME-16 <sup>1)</sup>	HGPP-12	30	M3	M5	51	46	44	100	85	191 262	HAPG-44
										177 649	HMSV-3
HMP/HME-16 <sup>1)</sup>	HGPP-16	30	M3	M5	51	46	44	100	85	191 263	HAPG-45
										177 649	HMSV-3
HMP-20 HMP/HME-25 <sup>1)</sup>	HGPP-16	30	M3	M5	51	46	51	120	100.4	191 264	HAPG-46
										177 653	HMSV-7
HMP/HME-25 <sup>1)</sup>	HGPP-20	22	M4	M5	51	46	50	120	110	191 265	HAPG-47
										177 653	HMSV-7
HMP/HME-25 <sup>1)</sup>	HGPP-25	28	M5	M5	51	46	60	120	110	529 019	HAPG-59
										177 653	HMSV-7
HMP-32	HGPP-32	28	M5	M5	51	46	60	120	133	529 020	HAPG-61
										177 653	HMSV-7

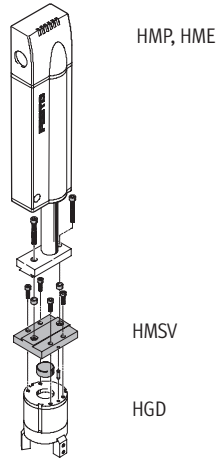
# HMP, HME/HGD combination

Technical data

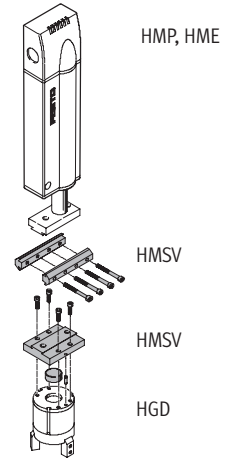


## Adapter kit HMSV

Material:  
Wrought aluminium alloy, anodised  
Centring pins/sleeves: High-alloy steel  
Free of copper, PTFE and silicone



Direct mounting

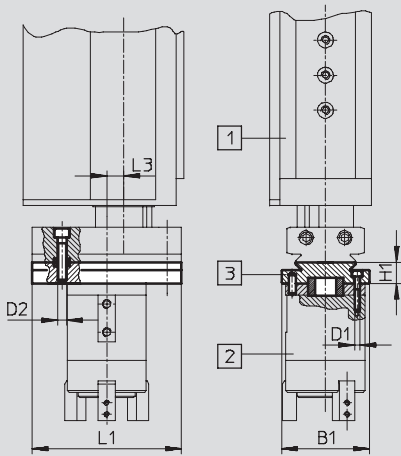


Dovetail mounting

## Dimensions and ordering data

Download CAD data → [www.festo.com/en/engineering](http://www.festo.com/en/engineering)

### Direct mounting



- 1 Drive
- 2 Gripper
- 3 Adapter plate HMSV

Drive	Gripper	B1	D1	D2	L1	H1	L3	Part No.	Type
HMP/HME-16 <sup>1)</sup> HMP-20 HMP/HME-25 <sup>1)</sup>	HGD-32	50	M3	M5	85	12	9.5 4.5	177 765	HMSV-25
HMP/HME-25 <sup>1)</sup> HMP-32	HGD-50	70	M5	M5	110	14	10 -		

1) HME: Horizontal mounting position, vertical on request

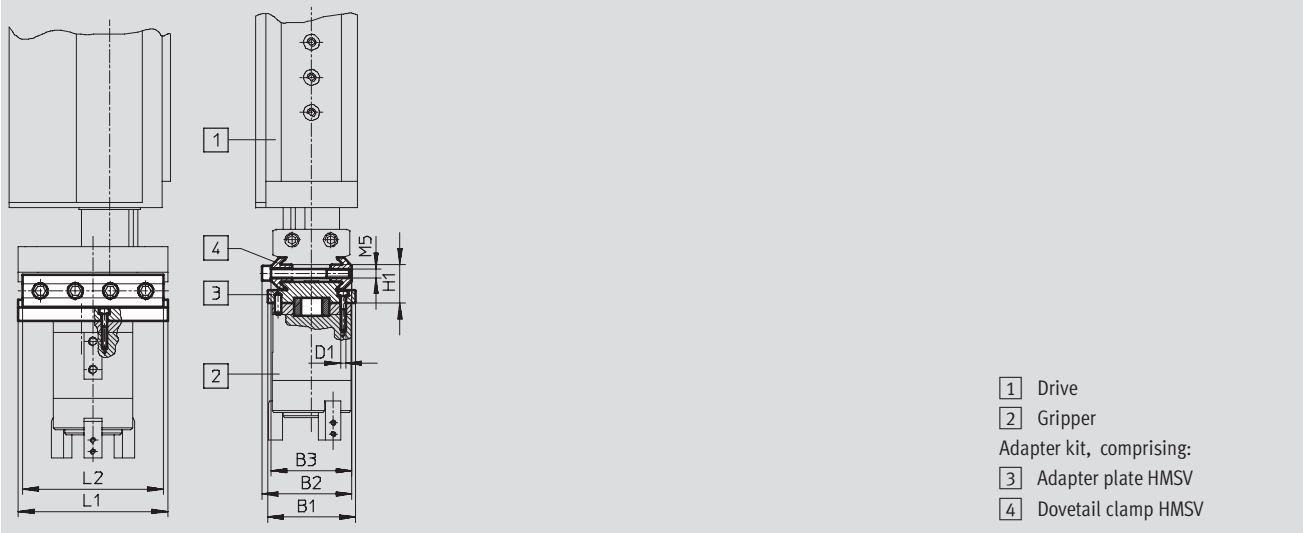
# HMP, HME/HGD combination

Technical data



Dimensions and ordering data Download CAD data → [www.festo.com/en/engineering](http://www.festo.com/en/engineering)

## Dovetail mounting



Drive	Gripper	B1	B2	B3	D1	L1	L2	H1	Part No.	Type
HMP/HME-16 <sup>1)</sup> HMP-20 HMP/HME-25	HGD-32	50	51	46	M3	85	80	22	178 212	HMSV-32
HMP/HME-25 <sup>1)</sup> HMP-32	HGD-50	70	51	46	M5	110	100	24	178 213	HMSV-33

1) HME: Horizontal mounting position, vertical on request

System components  
Adapters  
**3.2**

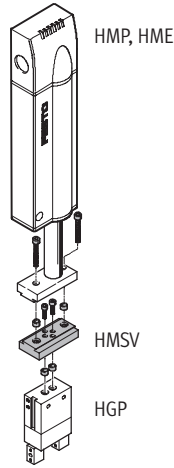
# HMP, HME/HGP, HGR, HGW combination

Technical data

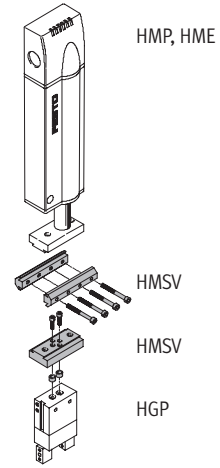


## Adapter kit HMSV

Material:  
Wrought aluminium alloy, anodised  
Centring sleeves: High-alloy steel  
Free of copper, PTFE and silicone



Direct mounting

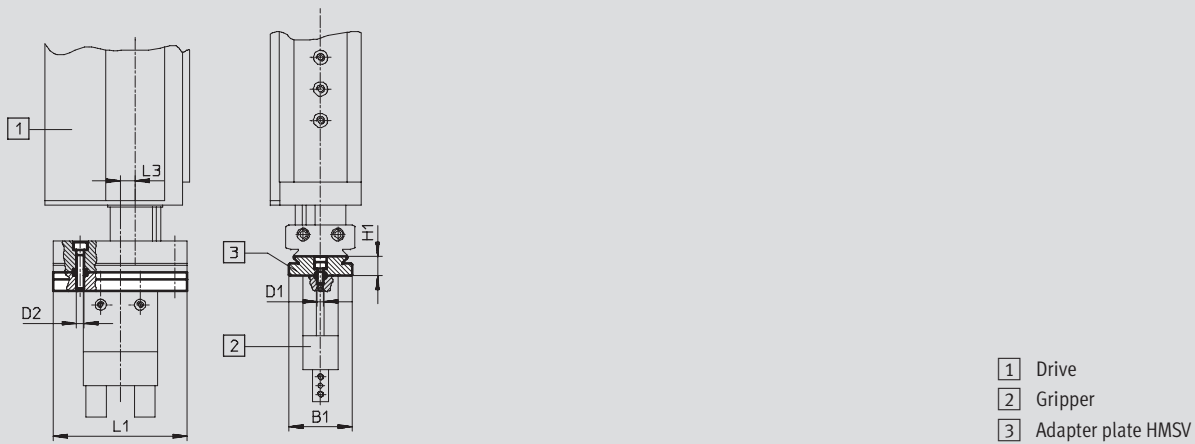


Dovetail mounting

## Dimensions and ordering data

Download CAD data → [www.festo.com/en/engineering](http://www.festo.com/en/engineering)

### Direct mounting



Drive	Gripper	B1	D1	D2	L1	H1	L3	Part No.	Type
HMP/HME-16 <sup>1)</sup> HMP-20	HGP-10 HGR-16 HGW-16	40	M3	M5	85	12	9.5	177 666	HMSV-20
HMP/HME-16 <sup>1)</sup> HMP-20 HMP/HME-25 <sup>1)</sup>	HGP-16 HGP-20 HGR-25 HGW-25	40	M4	M5	85	12	9.5	177 761	HMSV-21
HMP/HME-16 <sup>1)</sup> HMP-20 HMP/HME-25 <sup>1)</sup> HMP-32	HGP-25 HGR-32 HGW-32	50	M6	M5	100	14	9.5	177 762	HMSV-22
HMP/HME-25 <sup>1)</sup>	HGP-35 HGR-40 HGW-40	60	M8	M5	110	18	17	177 763	HMSV-23
HMP-32	HGP-35 HGR-40 HGW-40	60	M8	M5	133	18	10.5	177 764	HMSV-24

1) HME: Horizontal mounting position, vertical on request

# HMP, HME/HGP, HGR, HGW combination

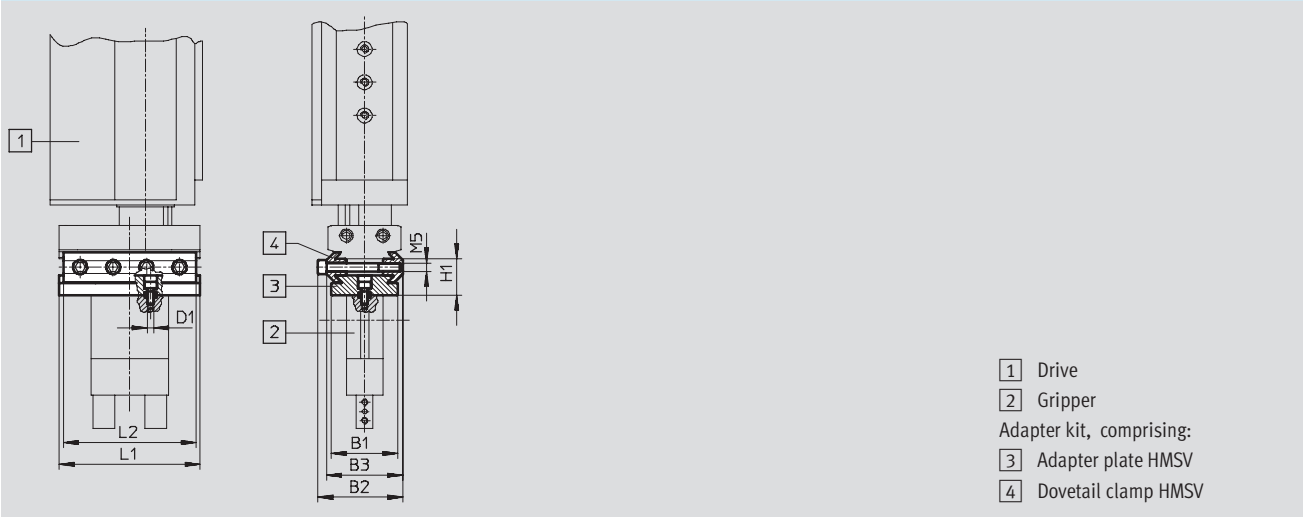
Technical data



## Dimensions and ordering data

Download CAD data → [www.festo.com/en/engineering](http://www.festo.com/en/engineering)

### Dovetail mounting



- 1 Drive
- 2 Gripper
- Adapter kit, comprising:
  - 3 Adapter plate HMSV
  - 4 Dovetail clamp HMSV

Drive	Gripper	B1	B2	B3	D1	L1	L2	H1	Part No.	Type
HMP-16 HMP-20	HGP-10 HGR-16 HGW-16	40	51	46	M3	85	80	22	<b>177 767</b>	<b>HMSV-27</b>
HMP-16 HMP-20 HMP-25	HGP-16 HGR-25 HGW-25	40	51	46	M4	85	80	24	<b>177 768</b>	<b>HMSV-28</b>
HMP-16 HMP-20 HMP-25 HMP-32	HGP-25 HGR-32 HGW-32	50	51	46	M6	100	100	24	<b>177 769</b>	<b>HMSV-29</b>
HMP-25	HGP-35 HGR-40 HGW-40	60	51	46	M8	110	100	28	<b>177 770</b>	<b>HMSV-30</b>
HMP-32	HGP-35 HGR-40 HGW-40	60	51	46	M8	133	100	28	<b>178 211</b>	<b>HMSV-31</b>

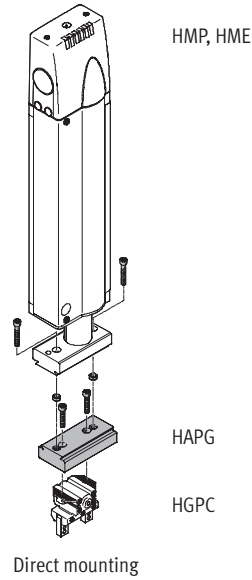
# HMP, HME/HGPC combination

Technical data



## Adapter kit HAPG

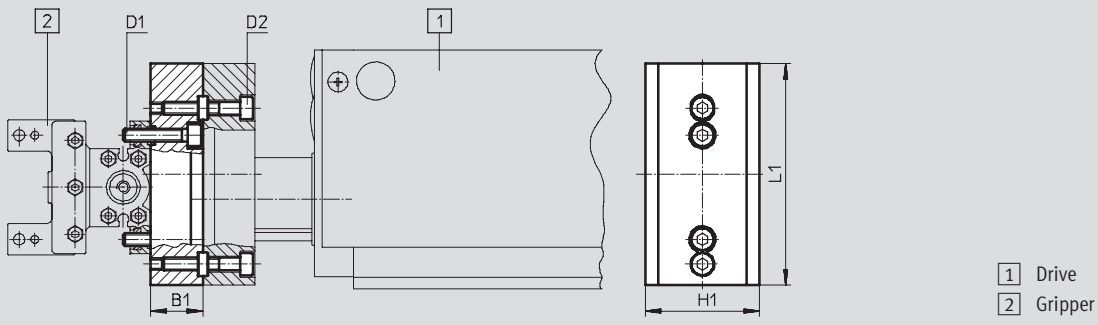
Material:  
Wrought aluminium alloy, anodised  
Centring sleeves: High-alloy steel  
Free of copper, PTFE and silicone



## Dimensions and ordering data

Download CAD data → [www.festo.com/en/engineering](http://www.festo.com/en/engineering)

Direct mounting



Drive	Gripper	B1	D1	D2	H1	L1	Part No.	Type
HMP/HME-16 <sup>1)</sup>	HGPC-16	20	M5	M5	44	85	191 263	HAPG-45
HMP-20	HGPC-20	20	M6	M5	51	100.4	191 264	HAPG-46
HMP/HME-25 <sup>1)</sup>								

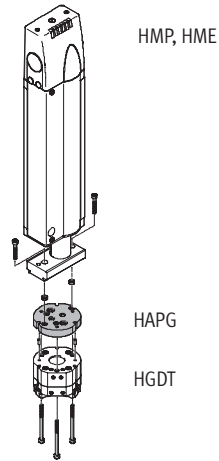
1) HME: Horizontal mounting position, vertical on request

# HMP, HME/HGDT combination

Technical data

## Adapter kit HAPG

Material:  
Wrought aluminium alloy, anodised  
Centring pins/sleeves: High-alloy steel  
Free of copper, PTFE and silicone

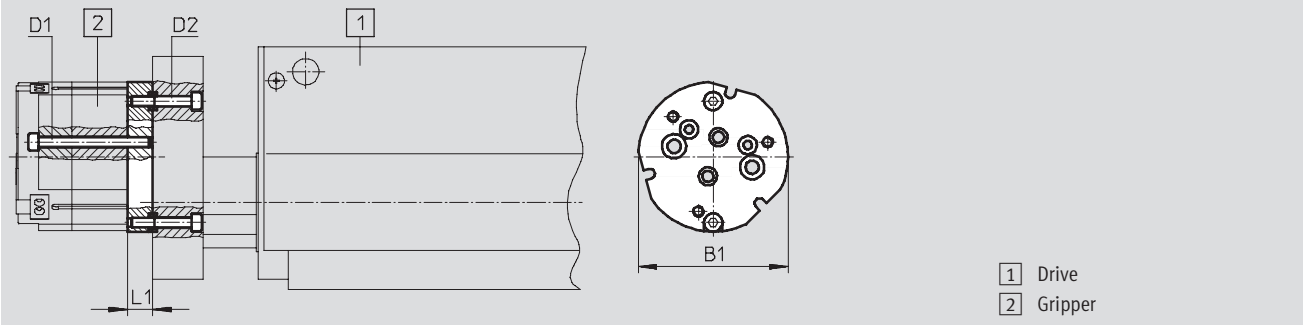


Direct mounting

## Dimensions and ordering data

Download CAD data → [www.festo.com/en/engineering](http://www.festo.com/en/engineering)

Direct mounting



Drive	Gripper	B1	D1	D2	L1	Part No.	Type
HMP/HME-16 <sup>1)</sup>	HGDT-35	50	M3	M5	11.5	542 434	HAPG-98
HMP/HME-16 HMP-20 HMP/HME-25	HGDT-40	74	M5	M5	12.5	542 437	HAPG-95
HMP-20 HMP/HME-25 HMP-32	HGDT-50	92	M6	M5	11.5	542 443	HAPG-SD2-36
HMP/HME-25 HMP-32	HGDT-63	114	M6	M5	11.5	542 438	HAPG-96

1) HME: Horizontal mounting position, vertical on request

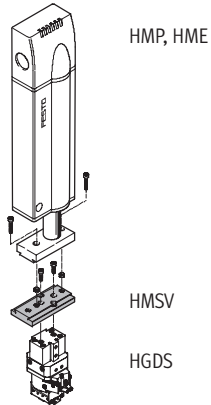
# HMP, HME/HGDS combination

Technical data

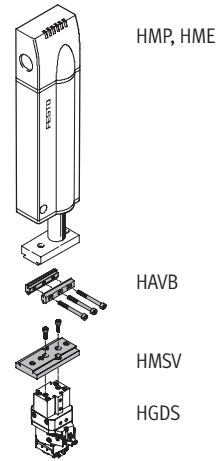


## Adapter kit HMSV, connecting kit HAVB

Material:  
Wrought aluminium alloy, anodised  
Centring sleeves: High-alloy steel  
Free of copper, PTFE and silicone



Direct mounting

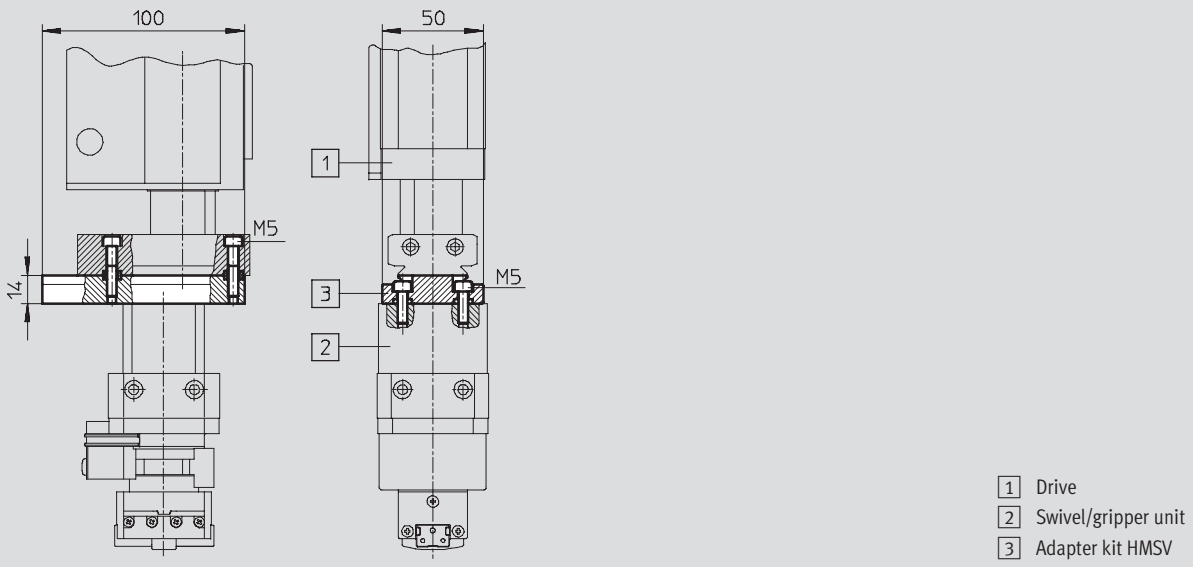


Dovetail mounting

## Dimensions and ordering data

Download CAD data → [www.festo.com/en/engineering](http://www.festo.com/en/engineering)

### Direct mounting



Drive	Gripper	Part No.	Type
HMP/HME-16 <sup>1)</sup>	HGDS-16	534 290	HMSV-38
HMP-20	HGDS-20		
HMP/HME-25 <sup>1)</sup>			
HMP-32			

1) HME: Horizontal mounting position, vertical on request



# HMP, HME/HGDS combination

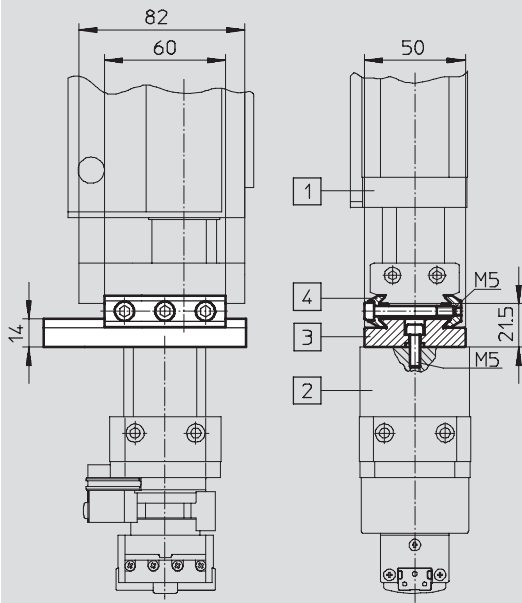
Technical data



## Dimensions and ordering data

Download CAD data → [www.festo.com/en/engineering](http://www.festo.com/en/engineering)

### Dovetail mounting



- 1 Drive
- 2 Swivel/gripper unit
- 3 Adapter kit HMSV
- 4 Adapter kit HAVB

Drive	Gripper	Part No.	Type
HMP/HME-16 <sup>1)</sup>	HGDS-16	534 290	HMSV-38
HMP-20	HGDS-20	163 239	HAVB-3
HMP/HME-25 <sup>1)</sup>			
HMP-32			

1) HME: Horizontal mounting position, vertical on request

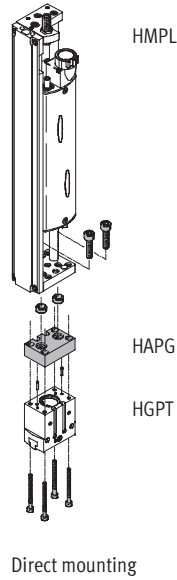
# HMPL/HGPT combination

Technical data



## Adapter kit HAPG

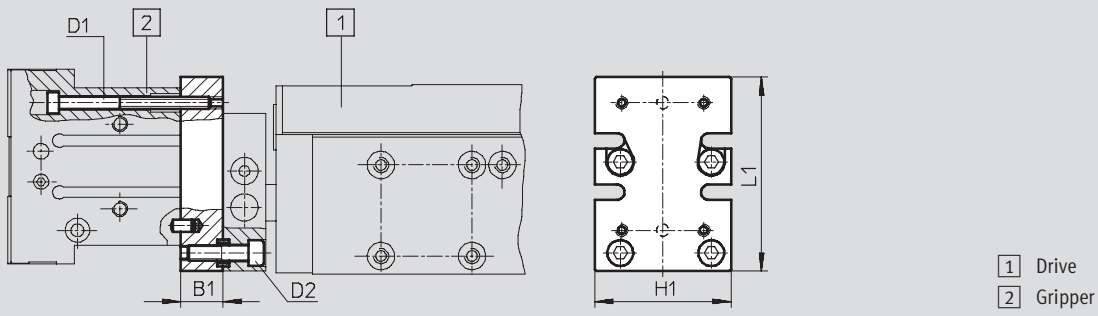
Material:  
Wrought aluminium alloy, anodised  
Centring pins/sleeves: High-alloy steel  
Free of copper, PTFE and silicone



## Dimensions and ordering data

Download CAD data → [www.festo.com/en/engineering](http://www.festo.com/en/engineering)

Direct mounting



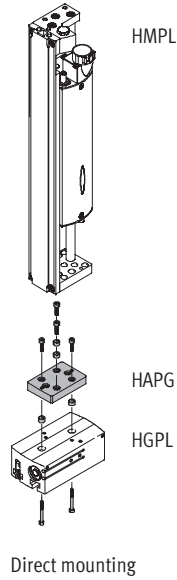
Drive	Gripper	B1	D1	D2	H1	L1	Part No.	Type
HMPL-12 HMPL-16	HGPT-16	12	M2	M5	24	35.8	<b>537 167</b>	<b>HAPG-73</b>
HMPL-12 HMPL-16	HGPT-20	12	M3	M5	28	44	<b>537 176</b>	<b>HAPG-80</b>
HMPL-16	HGPT-25	14	M4	M5	45	64	<b>537 179</b>	<b>HAPG-82</b>
HMPL-20	HGPT-25 HGPT-35	12	M4	M5	28	44	<b>537 174</b>	<b>HAPG-78</b>

# HMPL/HGPL combination

Technical data

## Adapter kit HAPG

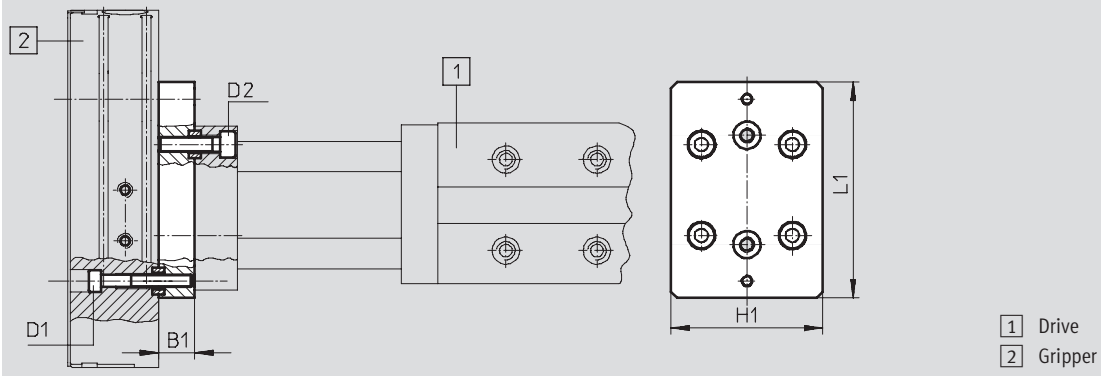
Material:  
Wrought aluminium alloy, anodised  
Centring sleeves: High-alloy steel  
Free of copper, PTFE and silicone



## Dimensions and ordering data

Download CAD data → [www.festo.com/en/engineering](http://www.festo.com/en/engineering)

Direct mounting



Drive	Gripper	B1	D1	D2	H1	L1	Part No.	Type
HMPL-16 HMPL-20	HGPL-14	12	M4x30	M5x20	50	71	539 912	HAPG-93

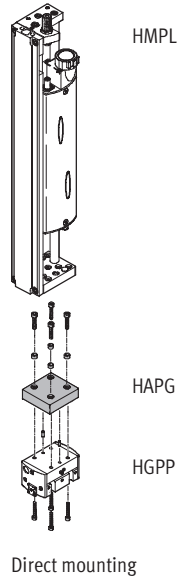
# HMPL/HGPP combination

Technical data



## Adapter kit HAPG

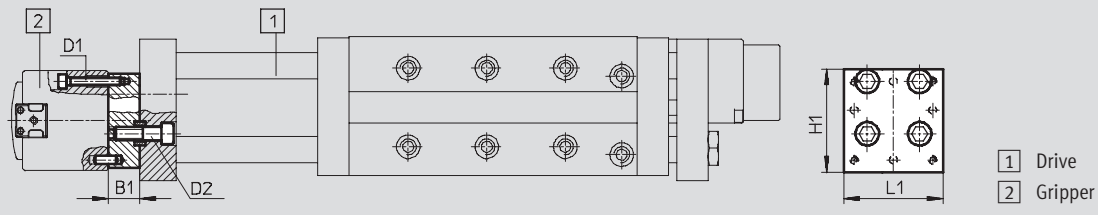
Material:  
Wrought aluminium alloy, anodised  
Centring pins/sleeves: High-alloy steel  
Free of copper, PTFE and silicone



## Dimensions and ordering data

Download CAD data → [www.festo.com/en/engineering](http://www.festo.com/en/engineering)

Direct mounting



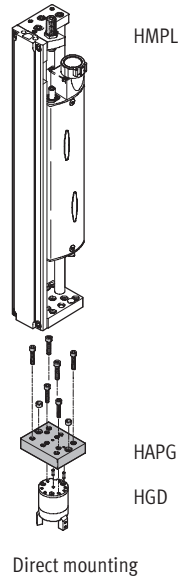
Drive	Gripper	B1	D1	D2	H1	L1	Part No.	Type
HMPL-12 HMPL-16	HGPP-12	12	M3	M5	38	39.5	<b>191 899</b>	<b>HAPG-53</b>
HMPL-12 HMPL-16	HGPP-10	12	M3	M5	42	38	<b>529 016</b>	<b>HAPG-56</b>
HMPL-16	HGPP-16	12	M3	M5	62	40	<b>191 901</b>	<b>HAPG-55</b>
HMPL-20	HGPP-12	12	M3	M5	52	44	<b>191 900</b>	<b>HAPG-54</b>
HMPL-20	HGPP-16	12	M3	M5	62	40	<b>191 901</b>	<b>HAPG-55</b>

# HMPL/HGP, HGD, HGW, HGR combination

Technical data

## Adapter kit HAPG

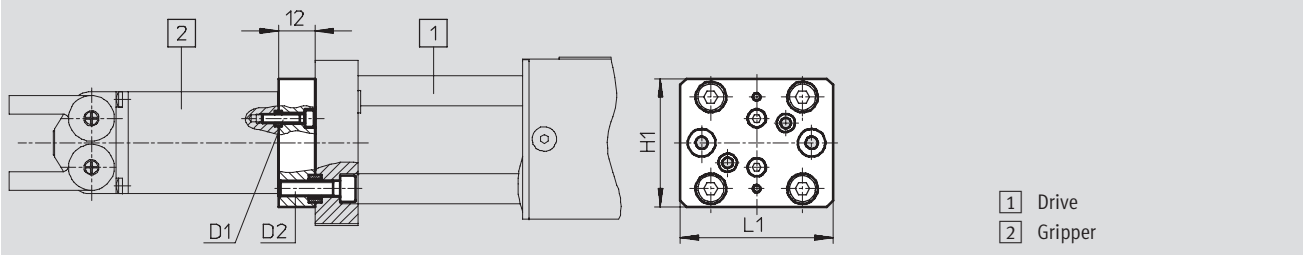
Material:  
Wrought aluminium alloy, anodised  
Centring pins/sleeves: High-alloy steel  
Free of copper, PTFE and silicone



## Dimensions and ordering data

Download CAD data → [www.festo.com/en/engineering](http://www.festo.com/en/engineering)

Direct mounting



Drive	Gripper	D1	D2	H1	L1	Part No.	Type
HMPL-12	HGP-10 HGR-16 HGW-16	M3	M5	30	30	192 708	HAPG-39-S1
HMPL-12	HGP-06 HGR-10 HGW-10	M3	M5	30	30	192 709	HAPG-60-S1
HMPL-16 HMPL-20	HGP-10 HGR-16 HGW-16	M3	M5	42	50	192 705	HAPG-36-S1
HMPL-16 HMPL-20	HGD-16	M3	M5	42	50	193 921	HAPG-36-S3
HMPL-16 HMPL-20	HGP-06 HGR-10 HGW-10	M3	M5	42	50	192 706	HAPG-37-S1
HMPL-16 HMPL-20	HGP-16 HGP-20 HGR-25 HGW-25	M4	M5	42	50	193 922	HAPG-37-S4

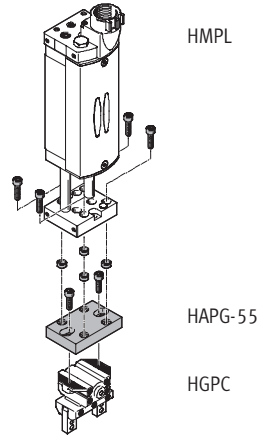
# HMPL/HGPC combination

Technical data

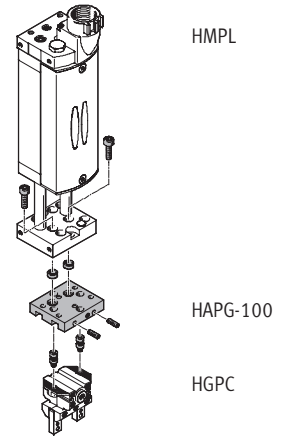


## Adapter kit HAPG

Material:  
Wrought aluminium alloy, anodised  
Centring sleeves: High-alloy steel  
Free of copper, PTFE and silicone



Direct mounting

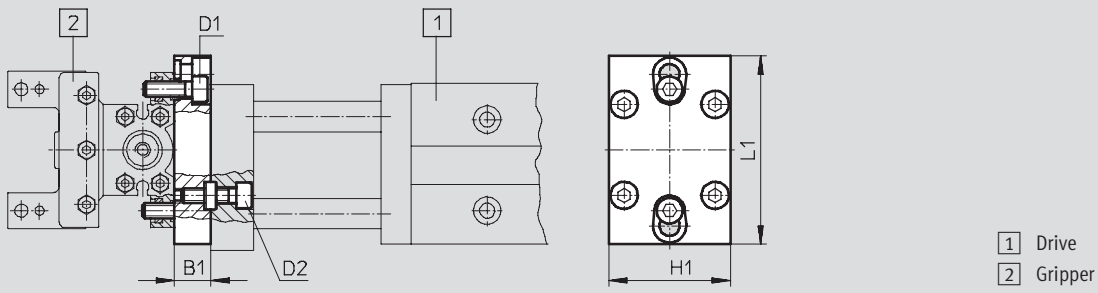


Direct mounting

## Dimensions and ordering data

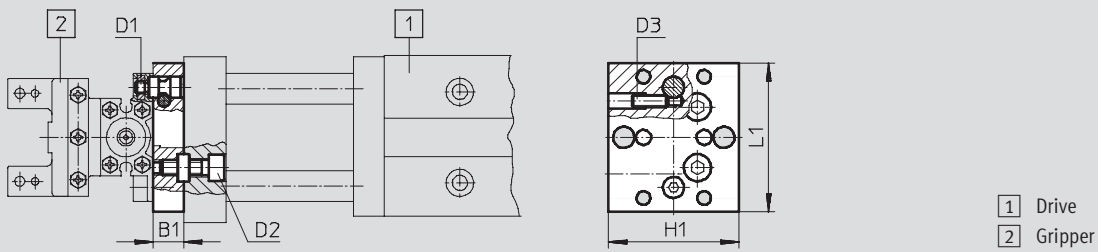
Download CAD data → [www.festo.com/en/engineering](http://www.festo.com/en/engineering)

### Direct mounting with HAPG-55



Drive	Gripper	B1	D1	D2	H1	L1	Part No.	Type
HMPL-16	HGPC-16	12	M5	M5	40	62	191 901	HAPG-55
HMPL-20								
HMPL-20	HGPC-20	12	M6	M5	40	62		

### Direct mounting with HAPG-100



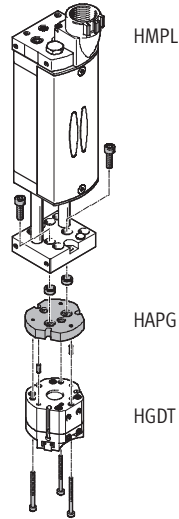
Drive	Gripper	B1	D1	D2	D3	H1	L1	Part No.	Type
HMPL-12	HGPC-12	10	M4	M5	M4	43	49	542 670	HAPG-100
HMPL-16									

# HMPL/HGDT combination

Technical data

## Adapter kit HAPG

Material:  
Wrought aluminium alloy, anodised  
Centring pins/sleeves: High-alloy steel  
Free of copper, PTFE and silicone

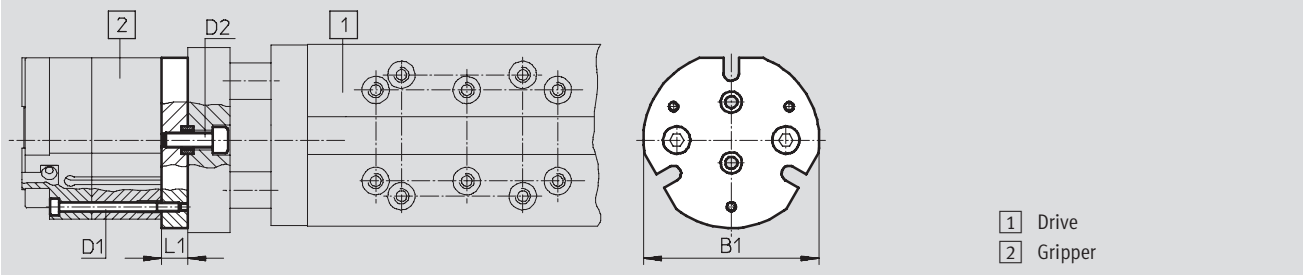


Direct mounting

## Dimensions and ordering data

Download CAD data → [www.festo.com/en/engineering](http://www.festo.com/en/engineering)

Direct mounting



- 1 Drive
- 2 Gripper

Drive	Gripper	B1	D1	D2	L1	Part No.	Type
HMPL-12	HGDT-25	49	M3	M5	8.5	542 433	HAPG-97
HMPL-16							
HMPL-20	HGDT-35	58	M3	M5	8.5	542 435	HAPG-99
HMPL-20	HGDT-40	74	M5	M5	12.5	542 437	HAPG-95

# HMPL/HGDS combination

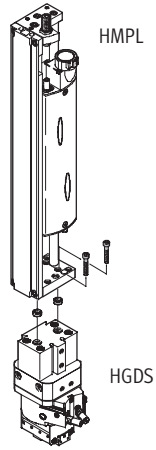
Technical data



## Adapter kit

(user configured)

Material:  
to DIN 912  
Centring sleeves: High-alloy steel  
Free of copper, PTFE and silicone



Direct mounting

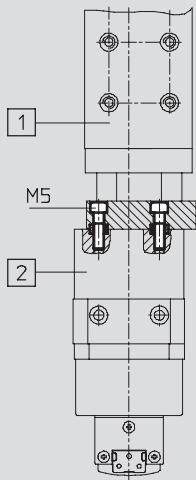
System components  
Adapters

3.2

## Dimensions and ordering data

Download CAD data → [www.festo.com/en/engineering](http://www.festo.com/en/engineering)

Direct mounting



- 1 Drive
- 2 Swivel/gripper unit

Drive	Gripper	Part No.	Type
HMPL-12	HGDS-12	–	2x M5x18 DIN 912
HMPL-16			2x ZBH-9
HMPL-16	HGDS-16	–	2x M5x18 DIN 912
HMPL-20	HGDS-20		2x ZBH-9



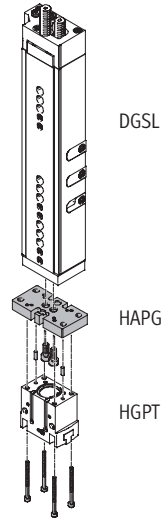
# DGSL/HGPT combination

Technical data



## Adapter kit HAPG

Material:  
Wrought aluminium alloy, anodised  
Centring pins/sleeves: High-alloy steel  
Free of copper, PTFE and silicone

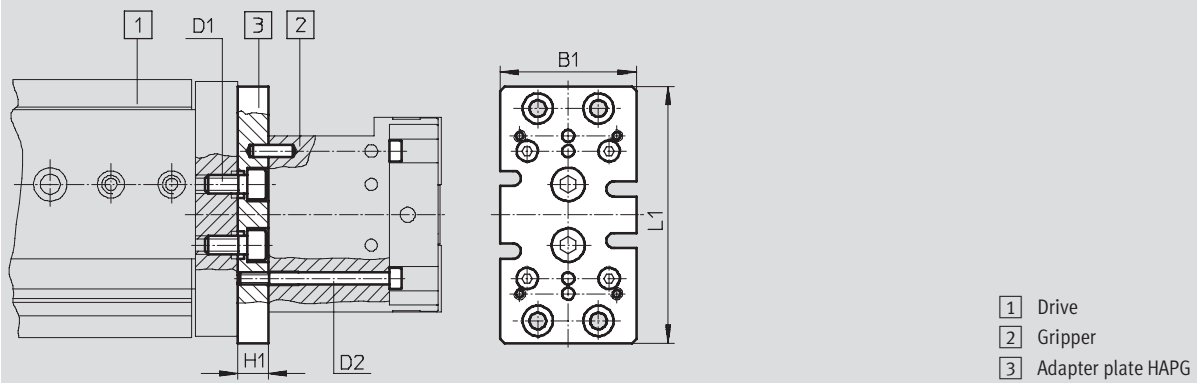


Direct mounting

## Dimensions and ordering data

Download CAD data → [www.festo.com/en/engineering](http://www.festo.com/en/engineering)

Direct mounting



Drive	Gripper	B1	D1	D2	H1	L1	Part No.	Type
DGSL-8/10	HGPT-16	27	M4	M2.5	8	49.6	537 169	HAPG-75
	HGPT-20			M3				
DGSL-12/16	HGPT-16	33	M5	M2.5	10	65.6	537 170	HAPG-76
	HGPT-20			M3				
DGSL-12/16	HGPT-25	38	M5	M4	10	65.6	537 180	HAPG-83
DGSL-20/25	HGPT-25/35	45	M6	M4	10	84.6	537 175	HAPG-79
DGSL-20/25	HGPT-40	57	M6	M5	12	103.6	537 183	HAPG-85

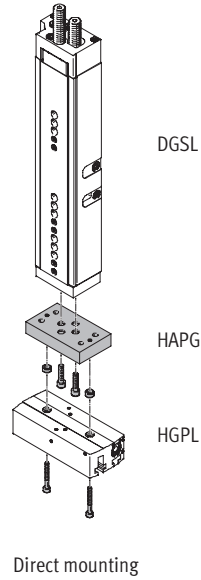
# DGSL/HGPL combination

Technical data



## Adapter kit HAPG

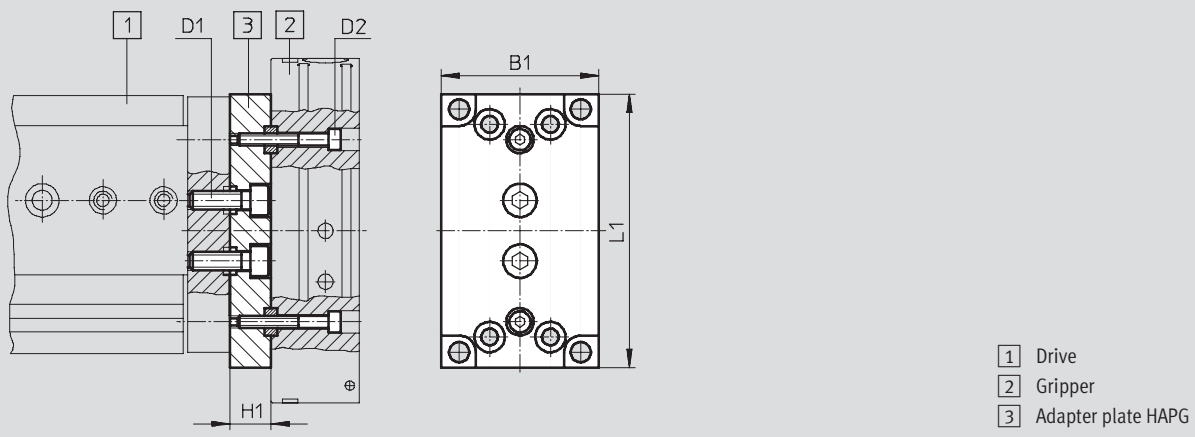
Material:  
Wrought aluminium alloy, anodised  
Centring pins/sleeves: High-alloy steel  
Free of copper, PTFE and silicone



## Dimensions and ordering data

Download CAD data → [www.festo.com/en/engineering](http://www.festo.com/en/engineering)

Direct mounting



Drive	Gripper	B1	D1	D2	H1	L1	Part No.	Type
DGSL-16	HGPL-14	44	M5	M4	14	75	538 055	HAPG-89
DGSL-20/25	HGPL-14	52	M6		13.5	90	539 274	HAPG-90
DGSL-25	HGPL-25							

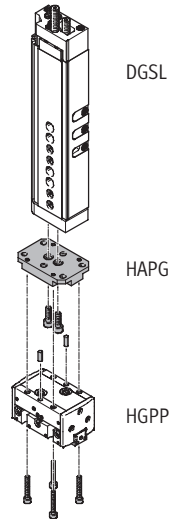
# DGSL/HGPP combination

Technical data



## Adapter kit HAPG

Material:  
Wrought aluminium alloy, anodised  
Centring pins/sleeves: High-alloy steel  
Free of copper, PTFE and silicone

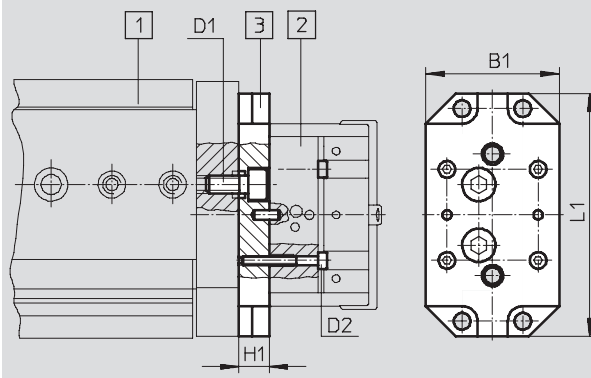


Direct mounting

## Dimensions and ordering data

Download CAD data → [www.festo.com/en/engineering](http://www.festo.com/en/engineering)

Direct mounting



- 1 Drive
- 2 Gripper
- 3 Adapter plate HAPG

Drive	Gripper	B1	D1	D2	H1	L1	Part No.	Type	
DGSL-8/10	HGPP-10	33	M4	M3	8	49.6	526 017	HAPG-57	
DGSL-12/16	HGPP-10		M5			65	529 018	HAPG-58	
DGSL-12/16	HGPP-12	36	M5		10	80	191 266	HAPG-48	
DGSL-20/25	HGPP-12	44	M6		M4	12	91	191 267	HAPG-49
DGSL-20/25	HGPP-16					191 269	HAPG-51		
DGSL-20/25	HGPP-20	58	M6	M4	12	91	191 270	HAPG-52	

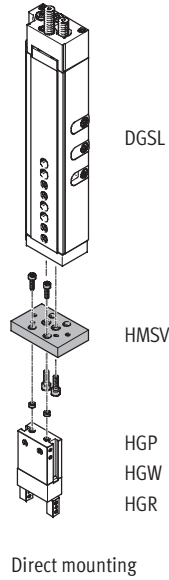
# DGSL/HGP, HGW, HGR combination

Technical data



## Adapter kit HMSV

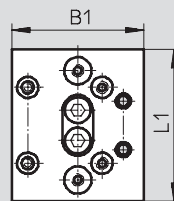
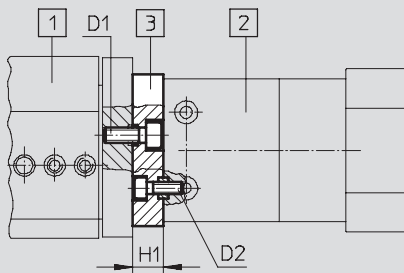
Material:  
Wrought aluminium alloy, anodised  
Centring pins/sleeves: High-alloy steel  
Free of copper, PTFE and silicone



## Dimensions and ordering data

Download CAD data → [www.festo.com/en/engineering](http://www.festo.com/en/engineering)

Direct mounting



- 1 Drive
- 2 Gripper
- 3 Adapter plate HMSV

Drive	Gripper	B1	D1	D2	H1	L1	Part No.	Type
DGSL-4/6	HGP-6	17	M3	M3	8	40	548 783	HMSV-53
DGSL-8/10	HGP-10 HGR-10 HGW-10	33	M4	M3	9	50	548 784	HMSV-54
DGSL-12/16	HGP-16	43.5	M6	M4	10	50	548 785	HMSV-55
	HGR-16 HGW-16			M3				
DGSL-20/25	HGP-20 HGR-25 HGW-25	73	M6	M4	12	100	548 786	HMSV-56
	HGP-25 HGR-32 HGW-32			M6				

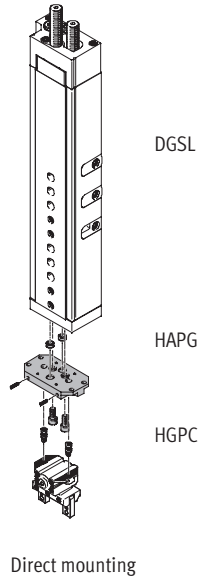
# DGSL/HGPC combination

Technical data



## Adapter kit HAPG

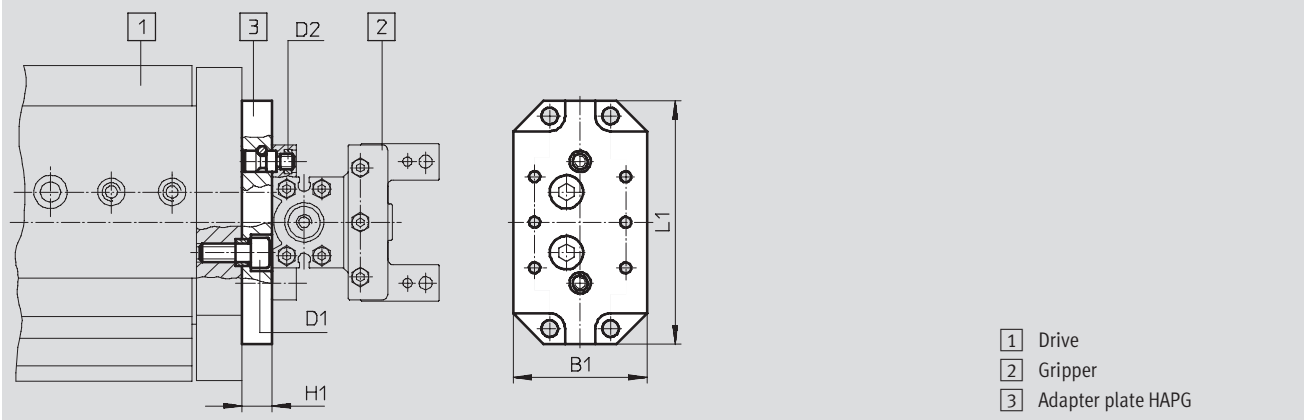
Material:  
Wrought aluminium alloy, anodised  
Centring pins/sleeves: High-alloy steel  
Free of copper, PTFE and silicone



## Dimensions and ordering data

Download CAD data → [www.festo.com/en/engineering](http://www.festo.com/en/engineering)

Direct mounting



Drive	Gripper	B1	D1	D2	H1	L1	Part No.	Type
DGSL-12/-16	HGPC-12	33	M5	M4	9	65	<b>529 018</b>	<b>HAPG-58</b>
DGSL-20/-25	HGPC-16	44	M6	M5	10	80	<b>191 267</b>	<b>HAPG-49</b>
DGSL-20/25	HGPC-20	58	M6	M6	12	91	<b>191 269</b>	<b>HAPG-51</b>

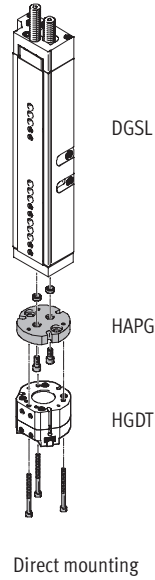
# DGSL/HGDT combination

Technical data



## Adapter kit HAPG

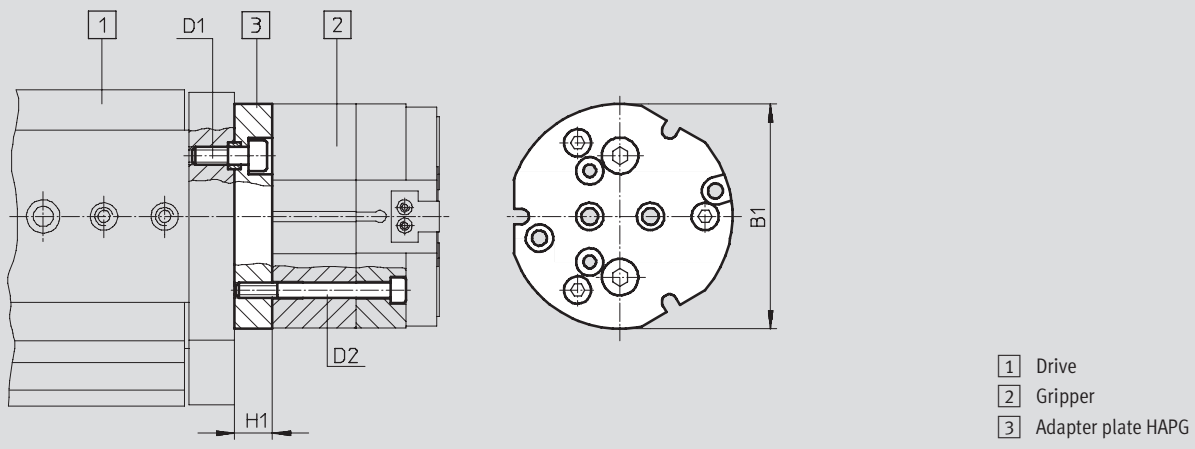
Material:  
Wrought aluminium alloy, anodised  
Centring pins/sleeves: High-alloy steel  
Free of copper, PTFE and silicone



## Dimensions and ordering data

Download CAD data → [www.festo.com/en/engineering](http://www.festo.com/en/engineering)

Direct mounting



Drive	Gripper	B1	D1	D2	H1	Part No.	Type
DGSL-16	HGDT-25	48	M5	M3	10	542 439	HAPG-SD2-32
DGSL-16	HGDT-35	58	M6	M3	11	542 436 548 805	HAPG-94 ZBV-9-7 <sup>1)</sup>
DGSL-20/25	HGDT-35	58	M6	M3	11	542 436	HAPG-94
DGSL-20/25	HGDT-40	74	M6	M5	12.5	542 437	HAPG-95
DGSL-25	HGDT-50	92	M6	M5	11.5	542 443 548 806	HAPG-SD2-36 ZBV-12-9 <sup>1)</sup>

1) Connecting sleeve for centring an adapter kit HAPG on a mini slide DGSL

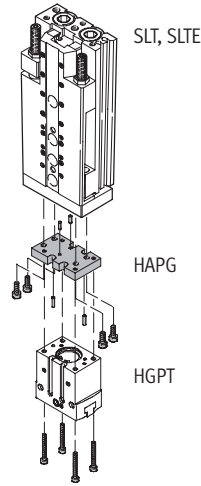
# SLT, SLTE/HGPT combination

Technical data

## Adapter kit HAPG

Material:

- Wrought aluminium alloy, anodised
- Centring pins/sleeves: High-alloy steel
- Free of copper, PTFE and silicone

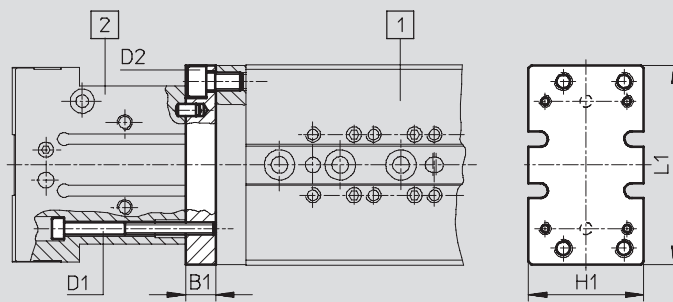


Direct mounting

## Dimensions and ordering data

Download CAD data → [www.festo.com/en/engineering](http://www.festo.com/en/engineering)

Direct mounting



- 1 Drive
- 2 Gripper

Drive	Gripper	B1	D1	D2	H1	L1	Part No.	Type
SLT-6	HGPT-16	6	M2	M3	24	38.6	537 168	HAPG-74
SLT/SLTE-10	HGPT-16	8	M2	M3	27	49.6	537 169	HAPG-75
	HGPT-20		M3					
SLT/SLTE-16	HGPT-16	10	M2	M5	33	65.6	537 170	HAPG-76
	HGPT-20		M3					
SLT/SLTE-16	HGPT-25	10	M4	M5	38	65.6	537 180	HAPG-83
SLT-20	HGPT-25/35	10	M4	M5	45	84.6	537 175	HAPG-79
SLT-25	HGPT-35	12	M4	M6	54	100	537 172	HAPG-77
SLT-25	HGPT-40	12	M5	M6	57	103.6	537 183	HAPG-85

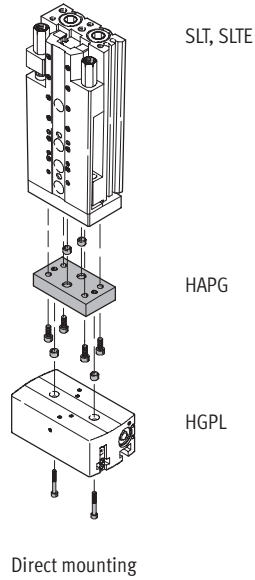
# SLT, SLTE/HGPL combination

Technical data



## Adapter kit HAPG

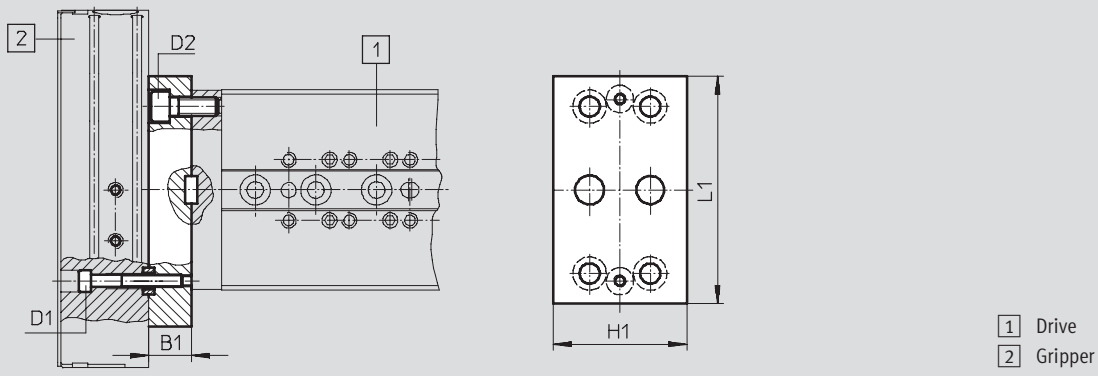
Material:  
Wrought aluminium alloy, anodised  
Centring sleeves: High-alloy steel  
Free of copper, PTFE and silicone



## Dimensions and ordering data

Download CAD data → [www.festo.com/en/engineering](http://www.festo.com/en/engineering)

Direct mounting



Drive	Gripper	B1	D1	D2	H1	L1	Part No.	Type
SLT/SLTE-16	HGPL-14 <sup>1)</sup>	14	M4	M5	44	75	538 055	HAPG-89
SLT-20 SLT-25	HGPL-14 HGPL-25 <sup>1)</sup>	13.5	M4	M5	52	90	539 274	HAPG-90

1) Only in combination with mini slide SLT-...-CC-B (with adjustable shock absorbers) or mini slide SLTE

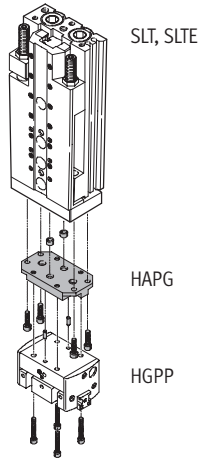


# SLT, SLTE/HGPP combination

Technical data

## Adapter kit HAPG

Material:  
Wrought aluminium alloy, anodised  
Centring pins/sleeves: High-alloy steel  
Free of copper, PTFE and silicone

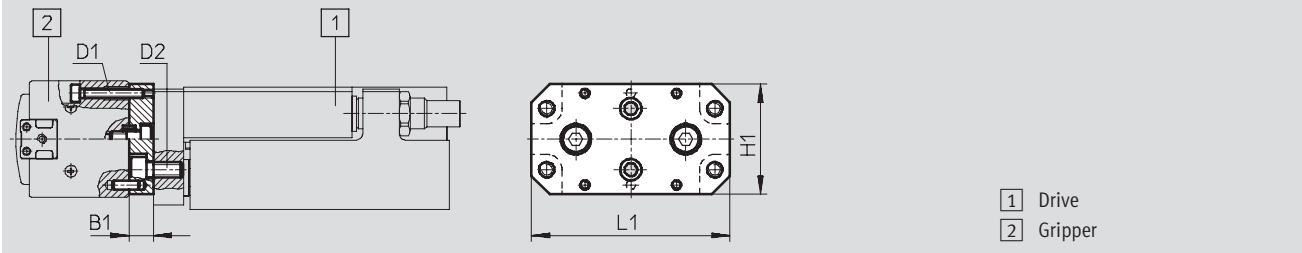


Direct mounting

## Dimensions and ordering data

Download CAD data → [www.festo.com/en/engineering](http://www.festo.com/en/engineering)

Direct mounting



Drive	Gripper	B1	D1	D2	H1	L1	Part No.	Type
SLT/SLTE-10	HGPP-10	8	M3	M4	33	49.6	529 017	HAPG-57
SLT/SLTE-16	HGPP-10	8	M3	M5	33	65	529 018	HAPG-58
SLT/SLTE-16	HGPP-12	8	M3	M5	36	65	191 266	HAPG-48
SLT-20	HGPP-12	10	M3	M5	44	80	191 267	HAPG-49
SLT-20	HGPP-16	10	M3	M5	44	80	191 268	HAPG-50
SLT-25	HGPP-16	12	M3	M6	58	91	191 269	HAPG-51
SLT-25	HGPP-20	12	M4	M6	58	91	191 270	HAPG-52

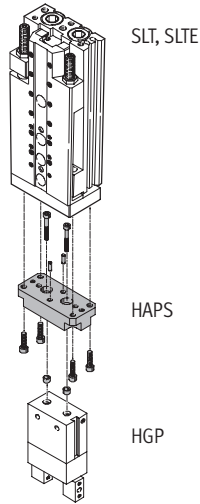
# SLT, SLTE/HGP, HGW, HGR combination

Technical data



## Adapter kit HAPS

Material:  
Wrought aluminium alloy, anodised  
Centring pins/sleeves: High-alloy steel  
Free of copper, PTFE and silicone

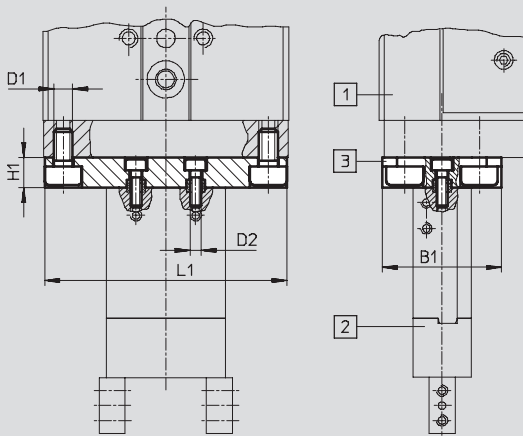


Direct mounting

## Dimensions and ordering data

Download CAD data → [www.festo.com/en/engineering](http://www.festo.com/en/engineering)

Direct mounting



- 1 Drive
- 2 Gripper
- 3 Adapter kit

Drive	Gripper	B1	D1	D2	H1	L1	Part No.	Type
SLT-6	HGP-6	16	M3	M3	8	36	178 447	HAPS-1
SLT/SLTE-10	HGR-10 HGW-10	28	M4	M3	8	48	178 448	HAPS-2
SLT/SLTE-16	HGP-10 HGR-16 HGW-16	32	M5	M3	8	65	178 449	HAPS-3
SLT-20	HGP-16 HGP-20 HGR-25 HGW-25	44	M5	M5	10	80	178 450	HAPS-4
SLT-25	HGP-25 HGR-32 HGW-32	58	M6	M6	12	91	178 451	HAPS-5

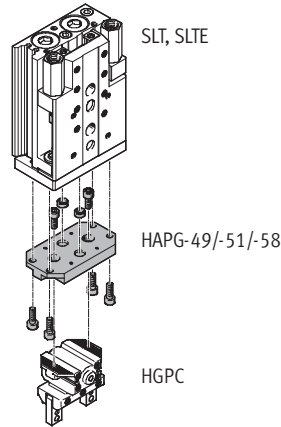
# SLT, SLTE/HGPC combination

Technical data

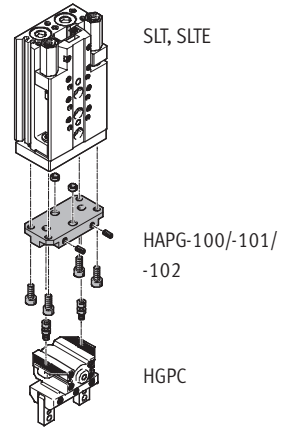


## Adapter kit HAPG

Material:  
Wrought aluminium alloy, anodised  
Centring sleeves: High-alloy steel  
Free of copper, PTFE and silicone



Direct mounting

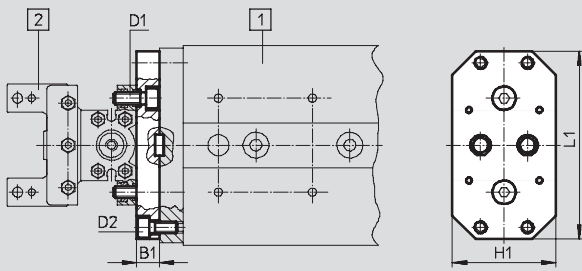


Direct mounting

## Dimensions and ordering data

Download CAD data → [www.festo.com/en/engineering](http://www.festo.com/en/engineering)

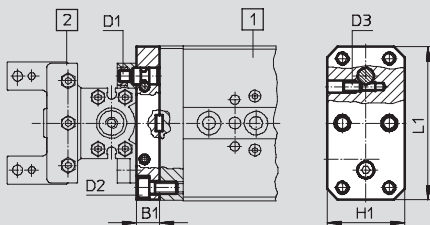
### Direct mounting with HAPG-49/-51/-58



- 1 Drive
- 2 Gripper

Drive	Gripper	B1	D1	D2	H1	L1	Part No.	Type
SLT/SLTE-16	HGPC-12	8	M4	M5	33	65	529 018	HAPG-58
SLT-20	HGPC-16	10	M5	M5	44	80	191 267	HAPG-49
SLT-25	HGPC-20	12	M6	M6	58	91	191 269	HAPG-51

### Direct mounting with HAPG-100/-101/-102



- 1 Drive
- 2 Gripper

Drive	Gripper	B1	D1	D2	D3	H1	L1	Part No.	Type
SLT/SLTE-10	HGPC-12	10	M4	M4	M4	43	49	542 670	HAPG-100
SLT/SLTE-16	HGPC-16	10	M5	M5	M4	33	65	542 666	HAPG-101
SLT-20	HGPC-20	10	M6	M5	M4	44	80	542 667	HAPG-102

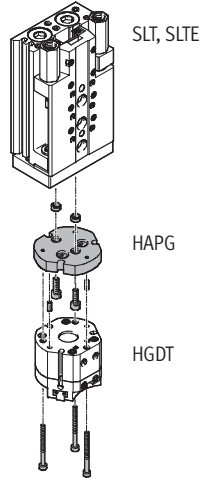
# SLT, SLTE/HGDT combination

Technical data



## Adapter kit HAPG

Material:  
Wrought aluminium alloy, anodised  
Centring pins/sleeves: High-alloy steel  
Free of copper, PTFE and silicone

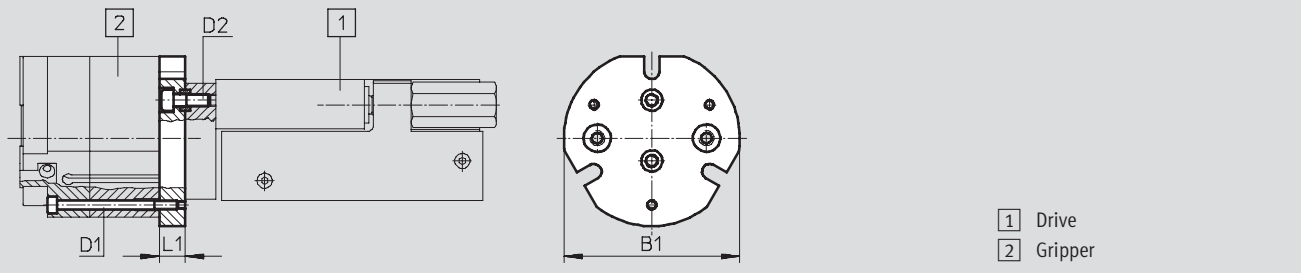


Direct mounting

## Dimensions and ordering data

Download CAD data → [www.festo.com/en/engineering](http://www.festo.com/en/engineering)

Direct mounting



Drive	Gripper	B1	D1	D2	L1	Part No.	Type
SLT/SLTE-16	HGDT-25	49	M3	M4	8.5	542 433	HAPG-97
SLT/SLTE-16	HGDT-35	58	M3	M4	8.5	542 435	HAPG-99
SLT-20	HGDT-25	49	M3	M5	10	542 439	HAPG-SD2-32
SLT-20	HGDT-35	58	M3	M5	11	542 436	HAPG-94
SLT-25				M6			
SLT-20	HGDT-40	74	M5	M5	12.5	542 437	HAPG-95
SLT-25				M6			
SLT-25	HGDT-50	92	M6	M6	11.5	542 443	HAPG-SD2-36

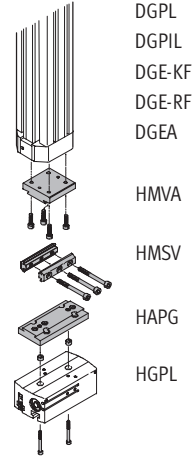
# DG.../HGPL combination

Technical data



## Adapter kit HMVA, HAPG, HMSV

Material:  
Wrought aluminium alloy, anodised  
Centring sleeves: High-alloy steel  
Free of copper, PTFE and silicone



Dovetail mounting

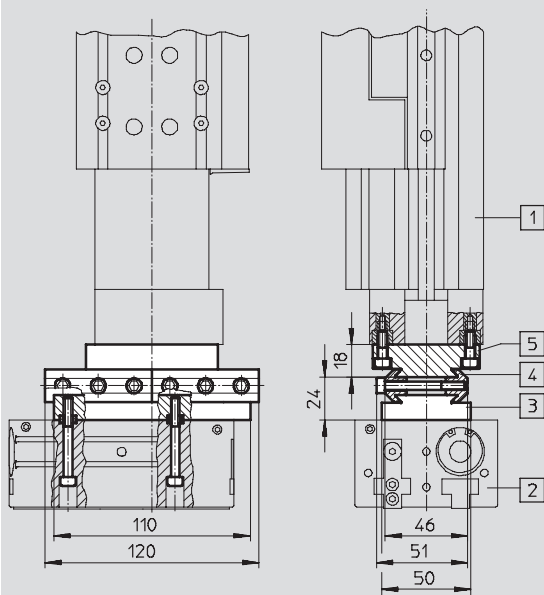
System components  
Adapters

3.2

## Dimensions and ordering data

Download CAD data → [www.festo.com/en/engineering](http://www.festo.com/en/engineering)

Dovetail mounting



- 1 Linear drive
- 2 Gripper
- 3 Adapter kit HAPG
- 4 Adapter kit HMSV
- 5 Adapter kit HMVA

Drive	Gripper	Part No.	Type
DG...-40	HGPL-25	196 790	HMVA-DLA40
		177 653	HMSV-7
		539 887	HAPG-92

# DG.../HGPP combination

Technical data



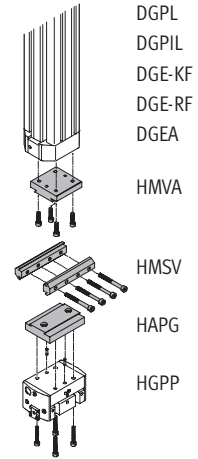
## Adapter kit HMVA, HAPG, HMSV

Material:

Wrought aluminium alloy, anodised

Centring pins/sleeves: High-alloy steel

Free of copper, PTFE and silicone

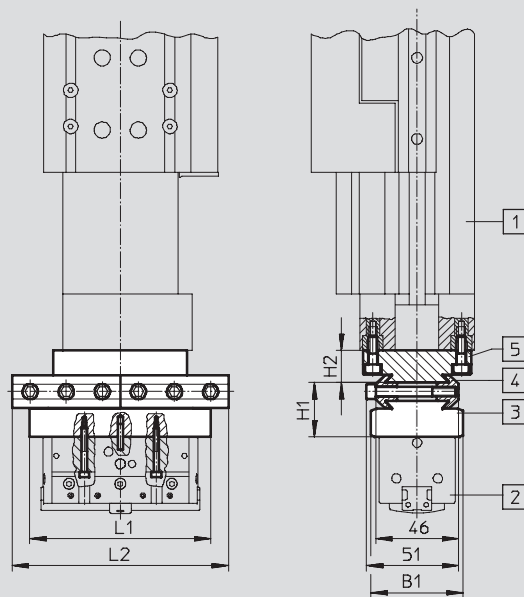


Dovetail mounting

## Dimensions and ordering data

Download CAD data → [www.festo.com/en/engineering](http://www.festo.com/en/engineering)

Dovetail mounting



- 1 Linear drive
- 2 Gripper
- 3 Adapter kit HAPG
- 4 Adapter kit HMSV
- 5 Adapter kit HMVA

Drive	Gripper	B1	H1	H2	L1	L2	Part No.	Type	Part No.	Type
DGP...-25	HGPP-12	44	30	14	85	100	191 262	HAPG-44	196 788	HMVA-DLA18/25
DGE-25	HGPP-16	44	30	14	100	100	191 263	HAPG-45	177 649	HMSV-3
DGEA-18										
DGP...-32	HGPP-16	51	30	18	100	120	191 264	HAPG-46	196 789	HMVA-DL32
DGP...-40	HGPP-16	51	30	18	100	120	191 264	HAPG-46	177 653	HMSV-7
	HGPP-20	50	22	18	110	120	191 265	HAPG-47	196 790	HMVA-DLA40
	HGPP-25	60	28	18	110	120	529 019	HAPG-59	177 653	HMSV-7
	HGPP-32	60	28	18	133	120	529 020	HAPG-61		



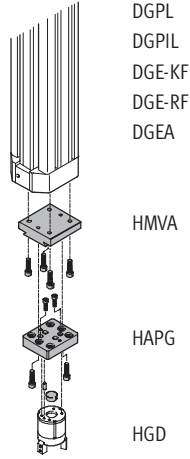
# DG.../HGD combination

Technical data

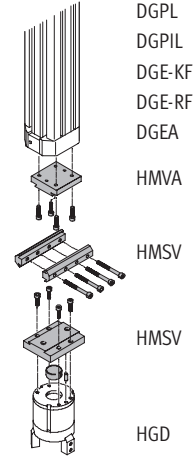


## Adapter kit HMVA, HAPG, HMSV

Material:  
Wrought aluminium alloy, anodised  
Centring pins/sleeves: High-alloy steel  
Free of copper, PTFE and silicone



Direct mounting

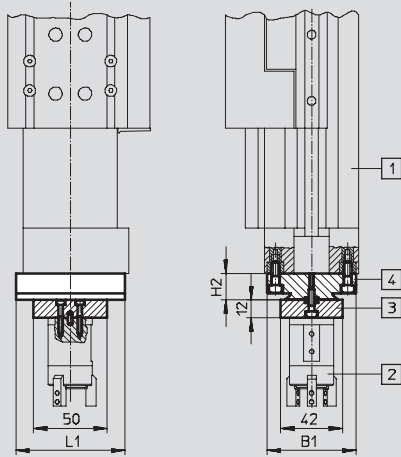


Dovetail mounting

## Dimensions and ordering data

Download CAD data → [www.festo.com/en/engineering](http://www.festo.com/en/engineering)

### Direct mounting



- 1 Linear drive
- 2 Gripper
- 3 Adapter kit HAPG
- 4 Adapter kit HMVA

Drive	Gripper	B1	H2	L1	Part No.	Type
DGP...-25	HGD-16	50	14	50	196 788	HMVA-DLA18/25
DGE-25	193 921				HAPG-36-S3	
DGEA-18						
DGP...-32	HGD-16	60	18	74	196 789	HMVA-DL32
					193 921	HAPG-36-S3
DGP...-40	HGD-16	60	18	74	196 790	HMVA-DLA40
DGE-40					193 921	HAPG-36-S3



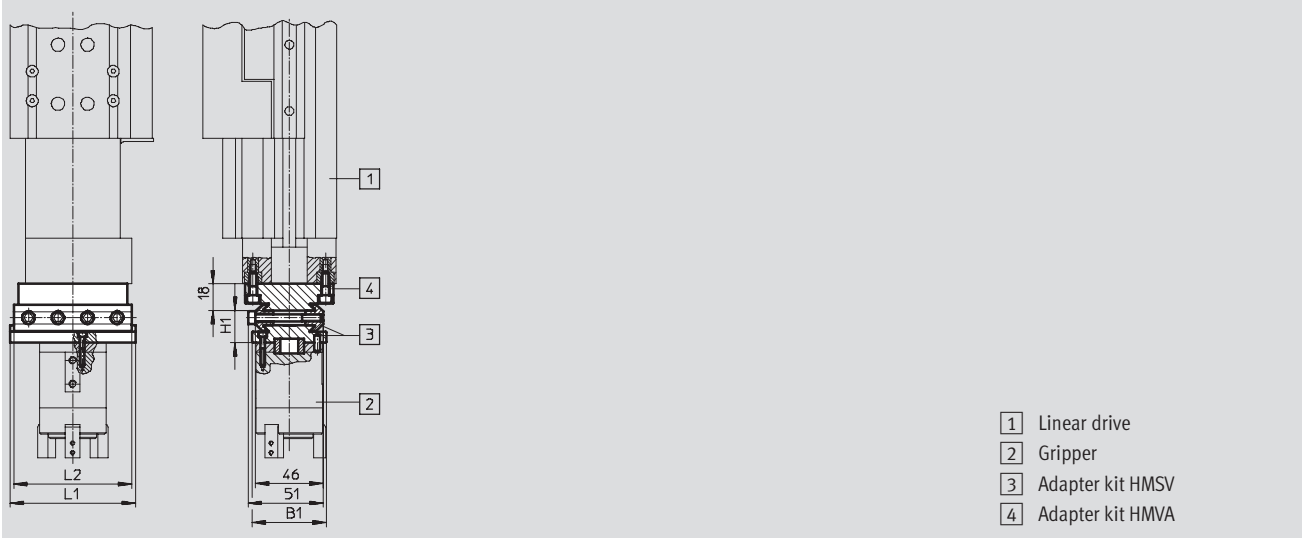
# DG.../HGD combination

Technical data



Dimensions and ordering data Download CAD data → [www.festo.com/en/engineering](http://www.festo.com/en/engineering)

## Dovetail mounting



Drive	Gripper	B1	H1	L1	L2	Part No.	Type
DG...-32	HGD-32	50	22	85	80	196 789	HMVA-DL32
						178 212	HMSV-32
DGP...-40 DGE-40 DGEA-40	HGD-32	70	24	110	100	196 790	HMVA-DLA40
						178 212	HMSV-32
DGP...-40 DGE-40 DGEA-40	HGD-50	70	24	110	100	196 790	HMVA-DLA40
						178 213	HMSV-33

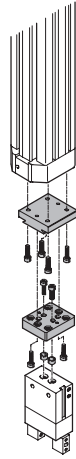
# DG.../HGP, HGW, HGR combination

Technical data



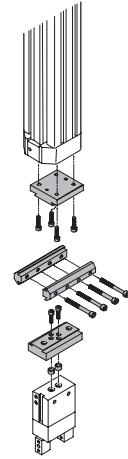
## Adapter kit HMVA, HAPG, HMSV

Material:  
Wrought aluminium alloy, anodised  
Centring sleeves: High-alloy steel  
Free of copper, PTFE and silicone



DGPL  
DGPIL  
DGE-KF  
DGE-RF  
DGEA  
  
HMVA  
  
HAPG  
  
HGP

Direct mounting



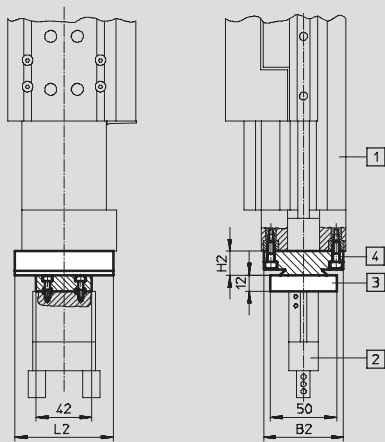
DGPL  
DGPIL  
DGE-KF  
DGE-RF  
DGEA  
  
HMVA  
  
HMSV  
HMSV  
  
HGP

Dovetail mounting

## Dimensions

Download CAD data → [www.festo.com/en/engineering](http://www.festo.com/en/engineering)

### Direct mounting



- 1 Linear drive
- 2 Gripper
- 3 Adapter kit HAPG
- 4 Adapter kit HMVA

Drive	Gripper	B2	H2	L2	Part No.	Type	Part No.	Type					
DGP...-25	HGP-06	50	14	50	196 788	HMVA-DLA18/25	192 706	HAPG-37-S1					
DGE-25	HGR-10												
DGEA-18	HGW-10												
DGP...-32	HGP-10	60	18	74	196 789	HMVA-DL32	192 705	HAPG-36-S1					
DGP...-40		60	18	74	196 790	HMVA-DLA40							
DGE-40	HGR-16	50	14	50	196 788	HMVA-DLA18/25	192 705	HAPG-36-S1					
DGEA-18	HGW-16												
DGP...-32	HGP-10								60	18	74	196 789	HMVA-DL32
DGP...-40	HGP-16	60	18	74	196 790	HMVA-DLA40	193 922	HAPG-37-S4					
DGE-40		HGR-25	50	14	50	196 788			HMVA-DLA18/25				
DGEA-18	HGW-25	50	14	50	196 788	HMVA-DLA18/25	193 922	HAPG-37-S4					
DGP...-32	HGP-16								60	18	74	196 789	HMVA-DL32
DGP...-40	HGR-25								60	18	74	196 790	HMVA-DLA40
DGE-40	HGW-25	50	14	50	196 788	HMVA-DLA18/25	193 922	HAPG-37-S4					
DGP...-32	HGP-16								60	18	74	196 789	HMVA-DL32
DGP...-40	HGR-25								60	18	74	196 790	HMVA-DLA40
DGE-40	HGW-25	50	14	50	196 788	HMVA-DLA18/25	193 922	HAPG-37-S4					
DGP...-32	HGP-16								60	18	74	196 789	HMVA-DL32
DGP...-40	HGR-25								60	18	74	196 790	HMVA-DLA40
DGE-40	HGW-25	50	14	50	196 788	HMVA-DLA18/25	193 922	HAPG-37-S4					
DGP...-32	HGP-16								60	18	74	196 789	HMVA-DL32
DGP...-40	HGR-25								60	18	74	196 790	HMVA-DLA40
DGE-40	HGW-25	50	14	50	196 788	HMVA-DLA18/25	193 922	HAPG-37-S4					
DGP...-32	HGP-16								60	18	74	196 789	HMVA-DL32
DGP...-40	HGR-25								60	18	74	196 790	HMVA-DLA40
DGE-40	HGW-25	50	14	50	196 788	HMVA-DLA18/25	193 922	HAPG-37-S4					
DGP...-32	HGP-16								60	18	74	196 789	HMVA-DL32
DGP...-40	HGR-25								60	18	74	196 790	HMVA-DLA40
DGE-40	HGW-25	50	14	50	196 788	HMVA-DLA18/25	193 922	HAPG-37-S4					
DGP...-32	HGP-16								60	18	74	196 789	HMVA-DL32
DGP...-40	HGR-25								60	18	74	196 790	HMVA-DLA40
DGE-40	HGW-25	50	14	50	196 788	HMVA-DLA18/25	193 922	HAPG-37-S4					
DGP...-32	HGP-16								60	18	74	196 789	HMVA-DL32
DGP...-40	HGR-25								60	18	74	196 790	HMVA-DLA40
DGE-40	HGW-25	50	14	50	196 788	HMVA-DLA18/25	193 922	HAPG-37-S4					
DGP...-32	HGP-16								60	18	74	196 789	HMVA-DL32
DGP...-40	HGR-25								60	18	74	196 790	HMVA-DLA40
DGE-40	HGW-25	50	14	50	196 788	HMVA-DLA18/25	193 922	HAPG-37-S4					
DGP...-32	HGP-16								60	18	74	196 789	HMVA-DL32
DGP...-40	HGR-25								60	18	74	196 790	HMVA-DLA40

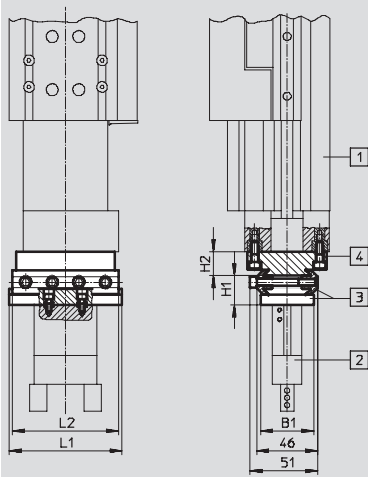
# DG.../HGP, HGW, HGR combination

Technical data



Dimensions and ordering data Download CAD data → [www.festo.com/en/engineering](http://www.festo.com/en/engineering)

Dovetail mounting



- 1 Linear drive
- 2 Gripper
- 3 Adapter kit HMSV
- 4 Adapter kit HMVA

Drive	Gripper	B1	H1	H2	L1	L2	Part No.	Type	Part No.	Type
DGP...-25 DGE-25 DGEA-18	HGP-10 HGR-16 HGW-16	40	22	14	85	80	196 788	HMVA-DLA18/25	177 767	HMSV-27
DGP...-32		40	22	18	85	80	196 789	HMVA-DL32		
DGP...-40 DGE-40		40	22	18	85	80	196 790	HMVA-DLA40		
DGP...-25 DGE-25 DGEA-18	HGP-16 HGR-25 HGW-25	40	22	14	85	80	196 788	HMVA-DLA18/25	177 768	HMSV-28
DGP...-32		40	22	18	85	80	196 789	HMVA-DL32		
DGP...-40 DGE-40		40	22	18	85	80	196 790	HMVA-DLA40		
DGP...-32	HGP-25	50	24	18	100	100	196 789	HMVA-DL32	177 769	HMSV-29
DGP...-40 DGE-40	HGR-32 HGW-32	50	24	18	100	100	196 790	HMVA-DLA40		
DGP...-40 DGE-40	HGP-35 HGR-40 HGW-40	60	28	18	110	100	196 790	HMVA-DLA40	177 770	HMSV-30

System components  
Adapters

3.2

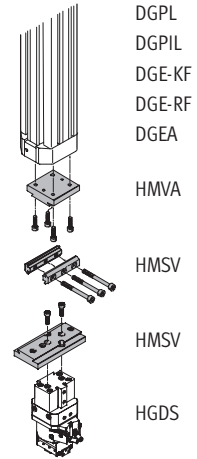
# DG.../HGDS combination

Technical data



## Adapter kit HMVA, HMSV

Material:  
Wrought aluminium alloy, anodised  
Centring sleeves: High-alloy steel  
Free of copper, PTFE and silicone

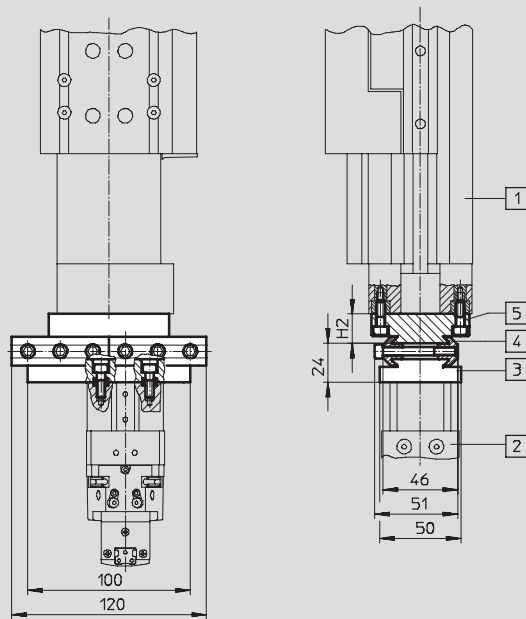


Dovetail mounting

## Dimensions and ordering data

Download CAD data → [www.festo.com/en/engineering](http://www.festo.com/en/engineering)

Dovetail mounting



- 1 Linear drive
- 2 Swivel/gripper unit
- 3 Adapter kit HMSV
- 4 Adapter kit HMSV
- 5 Adapter kit HMVA

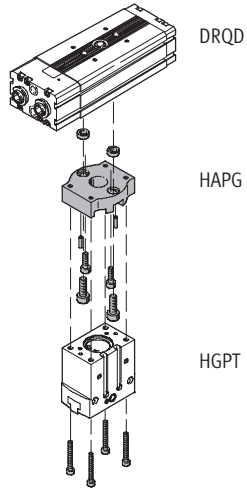
Drive	Gripper	H2	Part No.	Type	Part No.	Type
DGP...-25	HGDS-12 ... 20	14	196 788	HMVA-DLA18/25	177 653	HMSV-7
DGE-25					534 290	HMSV-38
DGEA-18						
DGP...-32	HGDS-12 ... 20	18	196 789	HMVA-DL32		
DGP...-40						
DGE-40	HGDS-12 ... 20	18	196 790	HMVA-DLA40		

# DRQD/HGPT combination

Technical data

## Adapter kit HAPG

Material:  
Wrought aluminium alloy, anodised  
Centring pins/sleeves: High-alloy steel  
Free of copper, PTFE and silicone

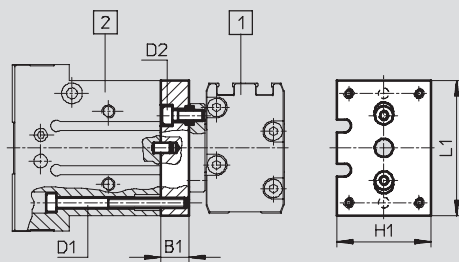


Direct mounting  
DRQD-...-FW with flanged shaft

## Dimensions and ordering data

Download CAD data → [www.festo.com/en/engineering](http://www.festo.com/en/engineering)

Direct mounting via flanged shaft and air throughfeed



- 1 Drive
- 2 Gripper

Drive	Gripper	B1	D1	D2	H1	L1	Part No.	Type
<b>Flanged shaft with air throughfeed SD...</b>								
DRQD-12	HGPT-16	11	M2	M3	35.5	34	537 171	HAPG-SD2-22
DRQD-16				M4				
DRQD-12	HGPT-20	11	M3	M3	44	34	537 177	HAPG-SD2-24
DRQD-16				M4				
DRQD-16/-20	HGPT-25	11	M4	M4	36	52	537 181	HAPG-SD2-25
DRQD-20	HGPT-35	12	M4	M4	42	64	537 173	HAPG-SD2-23
DRQD-25				M6				
DRQD-25/-32	HGPT-40	15	M5	M6	50	80	537 184	HAPG-SD2-26
DRQD-32	HGPT-50	15	M6	M8	85.5	100	537 186	HAPG-SD2-27
DRQD-40				M6				
DRQD-40/-50	HGPT-63	15	M6	M8	83	125	537 188	HAPG-SD2-28
<b>Flanged shaft with air throughfeed E...</b>								
DRQD-16	HGPT-16	8	M2.5	M4	35	44	544 641	HAPG-SD2-47
	HGPT-20		M3					
DRQD-16	HGPT-25	9	M4	M4	42	64	544 642	HAPG-SD2-48
DRQD-20	HGPT-25/-35	9	M4	M4	42	64	544 642	HAPG-SD2-48
DRQD-25	HGPT-35	12	M4	M4	42	64	537 173	HAPG-SD2-23
DRQD-25/-32	HGPT-40	15	M5	M6	50	80	537 184	HAPG-SD2-26
DRQD-32	HGPT-50	11	M6	M6	60	100	544 643	HAPG-SD2-49

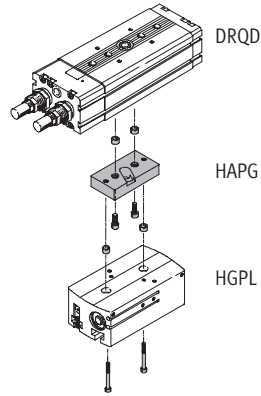
# DRQD/HGPL combination

Technical data



## Adapter kit HAPG

Material:  
Wrought aluminium alloy, anodised  
Centring sleeves: High-alloy steel  
Free of copper, PTFE and silicone

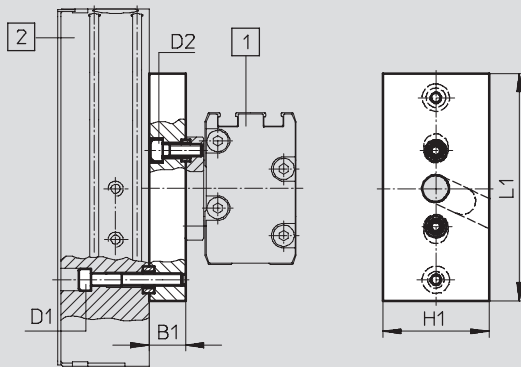


Direct mounting  
DRQD-...-FW with flanged shaft

## Dimensions and ordering data

Download CAD data → [www.festo.com/en/engineering](http://www.festo.com/en/engineering)

Direct mounting via flanged shaft and air throughfeed



Note

Only in combination with semi-rotary drive DRQD-...-YSRJ (with adjustable shock absorbers).

- 1 Drive
- 2 Gripper

Drive	Gripper	B1	D1	D2	H1	L1	Part No.	Type
<b>Flanged shaft with air throughfeed SD...</b>								
DRQD-16	HGPL-14	12	M4	M4	35	75	537 310	HAPG-SD2-31
DRQD-20								
DRQD-25	HGPL-25	14	M5	M6	60	75	537 311	HAPG-SD2-29
DRQD-32								
DRQD-40	HGPL-40	20	M8	M8	60	120	537 312	HAPG-SD2-30
DRQD-50								
<b>Flanged shaft with air throughfeed E...</b>								
DRQD-16	HGPL-14	9	M4	M4	35	75	544 644	HAPG-SD2-45
DRQD-20								
DRQD-25	HGPL-25	11	M5	M6	60	75	544 645	HAPG-SD2-46
DRQD-32								



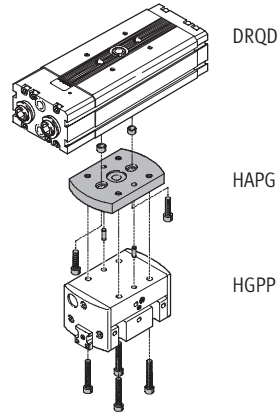
# DRQD/HGPP combination

Technical data

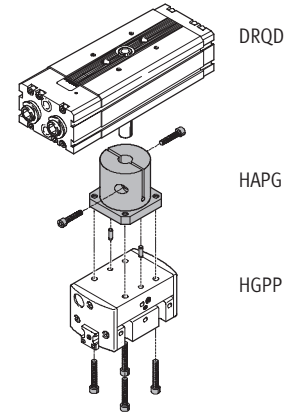


## Adapter kit HAPG

Material:  
Wrought aluminium alloy, anodised  
Centring pins/sleeves: High-alloy steel  
Free of copper, PTFE and silicone



Direct mounting  
DRQD-...-FW with flanged shaft

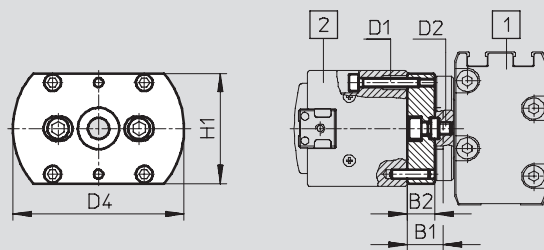


Direct mounting  
DRQD-...-ZW with spigot shaft

## Dimensions and ordering data

Download CAD data → [www.festo.com/en/engineering](http://www.festo.com/en/engineering)

Direct mounting via flanged shaft and air throughfeed SD.../E...



- 1 Drive
- 2 Gripper

Drive	Gripper	B1	B2	D1	D2	D4 ∅	H1	Part No.	Type
DRQD-16-FW DRQD-20-FW	HGPP-12	11.8	9	M3	M4	56	36	191 255	HAPG-SD2-14
DRQD-20-FW DRQD-25-FW	HGPP-16	11.8	9	M3	M4 M6	80	40	191 256	HAPG-SD2-15
DRQD-25-FW DRQD-32-FW	HGPP-20	11.8	9	M4	M6	90	46	191 257	HAPG-SD2-16
DRQD-16-FW DRQD-20-FW	HGPP-10	11.8	9	M3	M4	43	31	526 023	HAPG-SD2-17
DRQD-32-FW DRQD-40-FW DRQD-50-FW	HGPP-25	17.8	15	M5	M6 M8	120	53	526 024	HAPG-SD2-18
DRQD-40-FW DRQD-50-FW	HGPP-32	18.8	15	M5	M8	153	60	526 025	HAPG-SD2-19



# DRQD/HGPP combination

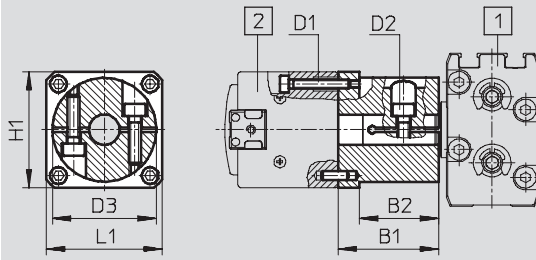
Technical data



## Dimensions and ordering data

Download CAD data → [www.festo.com/en/engineering](http://www.festo.com/en/engineering)

Direct mounting via spigot shaft



- 1 Drive
- 2 Gripper

Drive	Gripper	B1	B2	D1	D2	D3 ∅	H1	L1	Part No.	Type
DRQD-16-ZW	HGPP-12	33	26	M3	M4	34	38	38	<b>191 258</b>	<b>HAPG-40</b>
DRQD-20-ZW	HGPP-12	41	34	M3	M5	38	38	38	<b>191 259</b>	<b>HAPG-41</b>
DRQD-25-ZW	HGPP-16	49	42	M3	M5	42	42	50	<b>191 260</b>	<b>HAPG-42</b>
DRQD-32-ZW	HGPP-20	52	42	M4	M5	45	48	48	<b>191 261</b>	<b>HAPG-43</b>

# DRQD/HGP, HGD, HGW, HGR combination

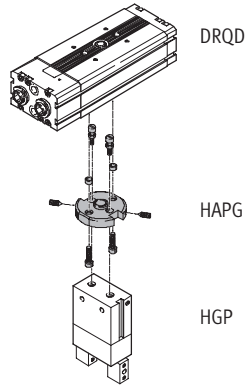
Technical data



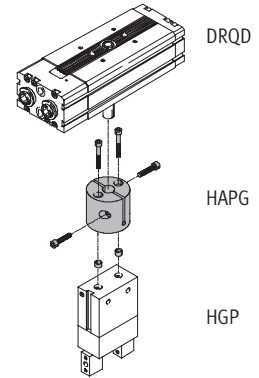
## Adapter kit DRQD-...-AS, HAPG

Material:

- Wrought aluminium alloy, anodised
- Centring pins/sleeves: High-alloy steel
- Free of copper, PTFE and silicone



Direct mounting  
DRQD-...-FW with flanged shaft



Direct mounting  
DRQD-...-ZW with spigot shaft

System components  
Adapters

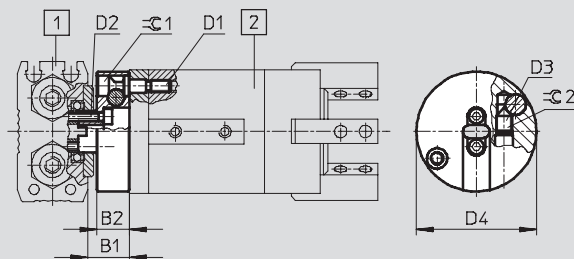
3.2

## Dimensions and ordering data

Download CAD data → [www.festo.com/en/engineering](http://www.festo.com/en/engineering)

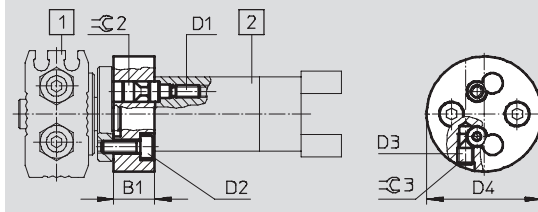
Direct mounting via flanged shaft and air throughfeed SD...

DRQD-...-AS1/-AS2



- 1 Drive
- 2 Gripper

HAPG-34/-35



- 1 Drive
- 2 Gripper

Drive	Gripper	B1	B2	D1	D2	D3	D4	E1	L1	≅C1	≅C2	≅C3	Part No.	Type
<b>Flanged shaft</b>														
DRQD-6-...-FW	HGP-6												187 568	HAPG-34
DRQD-8-...-FW	HGR-10	10	-	M3	M3	M4	28	-	-	2.5	2.5	2		
DRQD-12-...-FW	HGW-10													
DRQD-8-...-FW	HGD-16	8	-	M3	M3	M4	29	-	-	2.5	2.5	2	187 569	HAPG-35
DRQD-12-...-FW														
<b>Flanged shaft and air throughfeed SD...</b>														
DRQD-8	HGP-6	10.2	8	M3	M2	M4	28	-	-	2.5	2	-	187 432	DRQD-8-...-AS1 <sup>1)</sup>
DRQD-12														HGR-10
	HGW-10													
DRQD-8	HGD-16	10.2	8	M3	M2	M4	29	-	-	2.5	2	-	187 432	DRQD-8-...-AS2 <sup>1)</sup>
DRQD-12														HGR-10
	HGW-10													

1) Semi-rotary drives DRQD are ordered using the product modules with the corresponding adapter kit (code AS).

# DRQD/HGP, HGD, HGW, HGR combination

Technical data

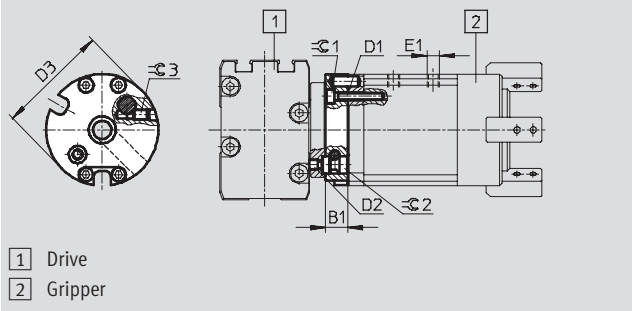
FESTO

## Dimensions and ordering data

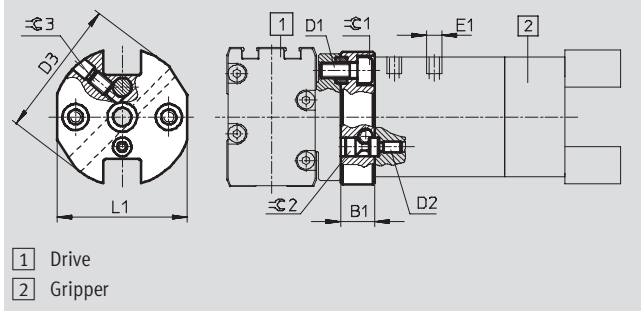
Download CAD data → [www.festo.com/en/engineering](http://www.festo.com/en/engineering)

Direct mounting via flanged shaft with air throughfeed SD...

HAPG-SD2-5/-8/-11/-13/-20



HAPG-SD2-1/-2/-3/-4/-6/-7/-9/-10/-12/-21



Drive	Gripper	B1	B2	D1	D2	D3	D4	E1	L1	≙C1	≙C2	≙C3	Part No.	Type
DRQD-16-...-FW	HGP-6 HGR-10 HGW-10	9	-	M4	M3	34	-	M3	-	3	2.5	2	187 566	HAPG-SD2-12
DRQD-16-...-FW	HGD-16	9	-	M3	M4	34	-	M3	-	2.5	3	2	187 567	HAPG-SD2-13
DRQD-16-...-FW	HGP-10 HGR-16 HGW-16	9	-	M4	M3	37	-	M3	35	3	2.5	2	184 477	HAPG-SD2-1
DRQD-16-...-FW	HGP-16 HGR-25 HGW-25	9	-	M4	M4	42	-	M3 M5	35	3	3	2	184 478	HAPG-SD2-2
DRQD-20-...-FW	HGP-16 HGP-20 HGR-25 HGW-25	9	-	M4	M4	42	-	M3 M5	38	3	3	2	184 479	HAPG-SD2-3
DRQD-20-...-FW	HGP-25 HGR-32 HGW-32	9	-	M4	M6	44	-	G1/8	38	3	5	2	184 480	HAPG-SD2-4
DRQD-20-...-FW	HGD-32	9	-	M3	M4	45	-	M5	-	2.5	3	2	184 481	HAPG-SD2-5
DRQD-25-...-FW	HGP-16 HGP-20 HGR-25 HGW-25	9	-	M6	M4	50	-	M3 M5	47	5	3	2	184 482	HAPG-SD2-6
DRQD-25-...-FW	HGP-25 HGR-32 HGW-32	9	-	M6	M6	50	-	G1/8	47	5	5	2	184 483	HAPG-SD2-7
DRQD-25-...-FW	HGD-50	9	-	M5	M6	70	-	G1/8	-	4	5	2	184 484	HAPG-SD2-8
DRQD-32-...-FW	HGP-25 HGR-32 HGW-32	9	-	M6	M6	60	-	G1/8	58	5	5	2	184 485	HAPG-SD2-9
DRQD-32-...-FW	HGP-35 HGR-40 HGW-40	9	-	M6	M8	60	-	G1/8	58	5	6	2	184 486	HAPG-SD2-10
DRQD-32-...-FW	HGD-50	9	-	M5	M6	70	-	G1/8	-	4	5	2	184 487	HAPG-SD2-11
DRQD-40-...-FW DRQD-50-...-FW	HGD-50	15	-	M5	M8	90	-	G1/8	-	6	6	2	526 026	HAPG-SD2-20
DRQD-40-...-FW DRQD-50-...-FW	HGP-35 HGR-40 HGW-40	12	-	M8	M8	80	-	G1/8	-	6	6	2	526 027	HAPG-SD2-21

System components  
Adapters

3.2

# DRQD/HGP, HGD, HGW, HGR combination

Technical data

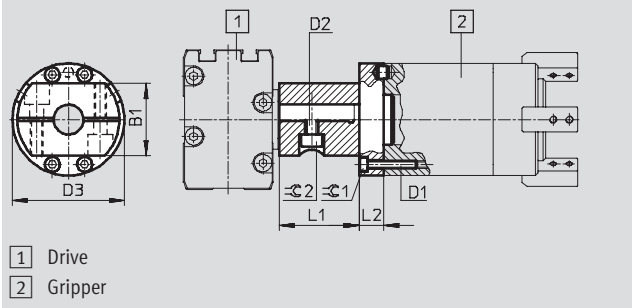


## Dimensions and ordering data

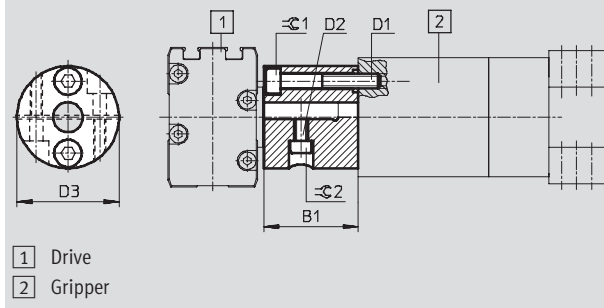
Download CAD data → [www.festo.com/en/engineering](http://www.festo.com/en/engineering)

Direct mounting via spigot shaft

HAPG-23/-24



HAPG-18/-19/-20/-21/-22



System components  
Adapters  
3.2

Drive	Gripper	B1	D1	D2	D3	L1	L2	≈ 1	≈ 2	Part No.	Type
DRQD-16-...-ZW	HGP-10 HGR-16 HGW-16	28	M3	M4	33	-	-	2.5	3	<b>163 267</b>	<b>HAPG-18</b>
DRQD-16-...-ZW	HGP-16/20 HGR-25 HGW-25	28	M4	M4	34	-	-	3	3	<b>163 268</b>	<b>HAPG-19</b>
DRQD-20-...-ZW	HGP-16/20 HGR-25 HGW-25	38	M4	M5	41	-	-	3	4	<b>163 269</b>	<b>HAPG-20</b>
DRQD-20-...-ZW	HGP-25 HGR-32 HGW-32	38	M6	M5	41	-	-	5	4	<b>163 270</b>	<b>HAPG-21</b>
DRQD-20-...-ZW	HGD-32	29	M3	M5	45	32	10	2.5	4	<b>163 272</b>	<b>HAPG-23</b>
DRQD-25-...-ZW	HGP-25 HGR-32 HGW-32	46	M6	M5	41	-	-	5	4	<b>163 271</b>	<b>HAPG-22</b>
DRQD-25-...-ZW	HGD-50	29	M5	M5	70	42	12	4	4	<b>163 273</b>	<b>HAPG-24</b>

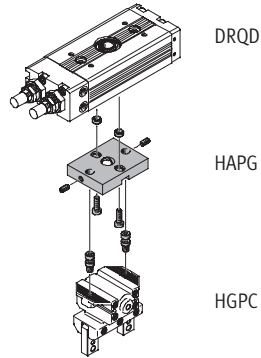
# DRQD/HGPC combination

Technical data



## Adapter kit HAPG

Material:  
Wrought aluminium alloy, anodised  
Centring sleeves: High-alloy steel  
Free of copper, PTFE and silicone

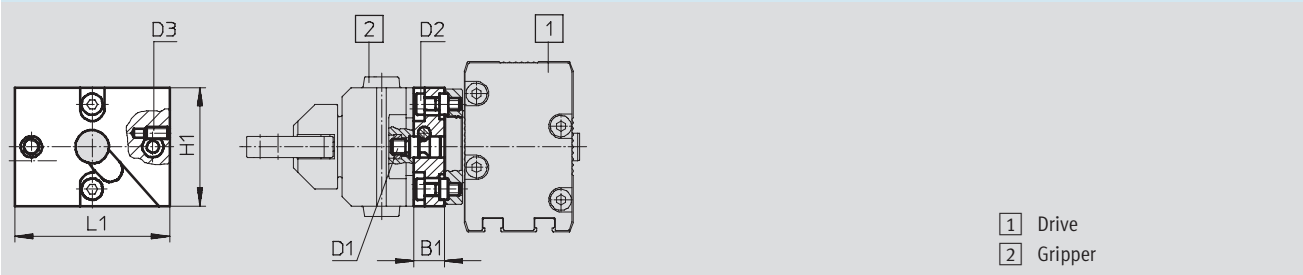


Direct mounting  
DRQD-...-FW with flanged shaft

## Dimensions and ordering data

Download CAD data → [www.festo.com/en/engineering](http://www.festo.com/en/engineering)

Direct mounting via flanged shaft and air throughfeed



Drive	Gripper	B1	D1	D2	D3	H1	L1	Part No.	Type
Flanged shaft with air throughfeed SD...									
DRQD-12	HGPC-12	10	M4	M4	M4	32.6	42	542 671	HAPG-SD2-41
DRQD-16									
DRQD-16	HGPC-16	10	M5	M4	M4	39	51	542 668	HAPG-SD2-42
DRQD-20									
DRQD-20	HGPC-20	9	M6	M4	M4	50	65	542 669	HAPG-SD2-43
DRQD-25	HGPC-20	9	M6	M6	M4	50	65	542 758	HAPG-SD2-44

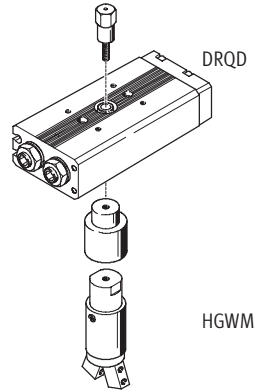
# DRQD/HGPM, HGWM combination

Technical data



## Adapter kit DRQD-...-A...-HS

Material:  
Zinc-coated steel  
Free of copper, PTFE and silicone

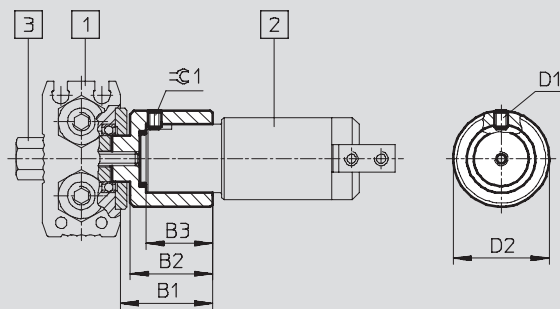


Direct mounting  
via hollow bolt

## Dimensions and ordering data

Download CAD data → [www.festo.com/en/engineering](http://www.festo.com/en/engineering)

Direct mounting via hollow bolt



- 1 Drive
- 2 Gripper
- 3 Hollow bolt

Drive	Gripper	B1	B2	B3	D1	D2	±0.1	Part No.	Type
DRQD-6	HGPM-08-...-G8	15.2	13	9.6	M3	16	1.5	187 431	DRQD-6-...-A08-HS <sup>1)</sup>
DRQD-8	HGWM-08-...-G8							187 432	DRQD-8-...-A08-HS <sup>1)</sup>
DRQD-12								187 433	DRQD-12-...-A08-HS <sup>1)</sup>
DRQD-6	HGPM-12-...-G8	20.2	18	14.6	M3	21	1.5	187 431	DRQD-6-...-A12-HS <sup>1)</sup>
DRQD-8	HGWM-12-...-G8							187 432	DRQD-8-...-A12-HS <sup>1)</sup>
DRQD-12								187 433	DRQD-12-...-A12-HS <sup>1)</sup>

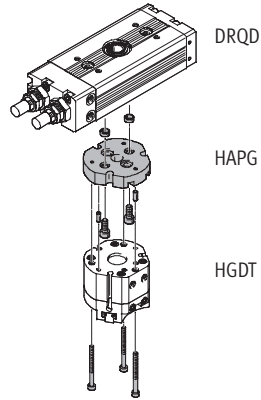
1) Semi-rotary drives DRQD are ordered using the product modules with the corresponding adapter kit (code A...) and hollow bolt (code HS)

# DRQD/HGDT combination

Technical data

## Adapter kit HAPG

Material:  
Wrought aluminium alloy, anodised  
Centring pins/sleeves: High-alloy steel  
Free of copper, PTFE and silicone

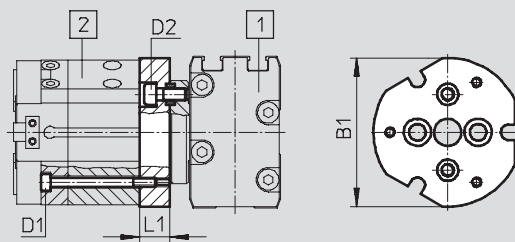


Direct mounting  
DRQD-...-FW with flanged shaft

## Dimensions and ordering data

Download CAD data → [www.festo.com/en/engineering](http://www.festo.com/en/engineering)

Direct mounting via flanged shaft and air throughfeed



- 1 Drive
- 2 Gripper

Drive	Gripper	B1	D1	D2	L1	Part No.	Type
Flanged shaft with air throughfeed SD... and E...							
DRQD-16	HGDT-25	49	M3	M4	10	542 439	HAPG-SD2-32
DRQD-20	HGDT-25	49	M3	M4	10	542 440	HAPG-SD2-33
DRQD-25				M6			
DRQD-20	HGDT-35	58	M3	M4	10	542 441	HAPG-SD2-34
DRQD-25				M6			
DRQD-32				M6			
DRQD-25	HGDT-40	74	M5	M6	10	542 442	HAPG-SD2-35
DRQD-32	HGDT-50	92	M6	M5	11.5	542 443	HAPG-SD2-36

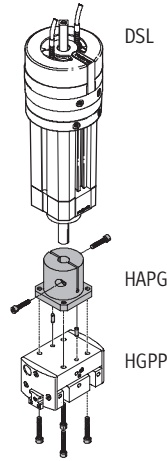
# DSL, DSM/HGPP combination

Technical data

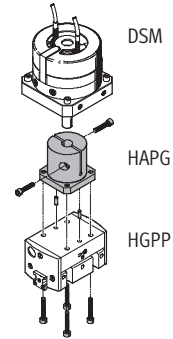


## Adapter kit HAPG

Material:  
Wrought aluminium alloy, anodised  
Centring pins/sleeves: High-alloy steel  
Free of copper, PTFE and silicone



Direct mounting  
DSL-...-KF with spigot shaft

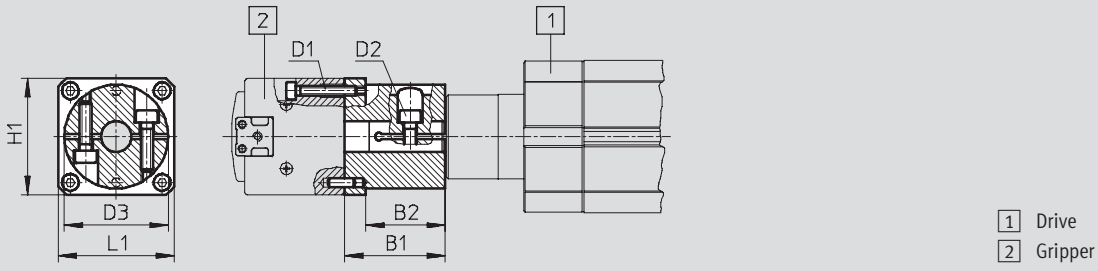


Direct mounting  
DSM with spigot shaft

## Dimensions and ordering data

Download CAD data → [www.festo.com/en/engineering](http://www.festo.com/en/engineering)

Direct mounting via spigot shaft



Drive	Gripper	B1	B2	D1	D2	D3 Ø	H1	L1	Part No.	Type
DSL-20-KF DSM-16	HGPP-12	33	26	M3	M4	3	38	38	191 258	HAPG-40
DSL-25-KF DSM-25	HGPP-12	41	34	M3	M5	38	38	38	191 259	HAPG-41
DSL-32-KF DSM-32	HGPP-16	49	42	M3	M5	42	42	50	191 260	HAPG-42
DSL-40-KF DSM-40	HGPP-20	52	42	M4	M5	45	48	48	191 261	HAPG-43





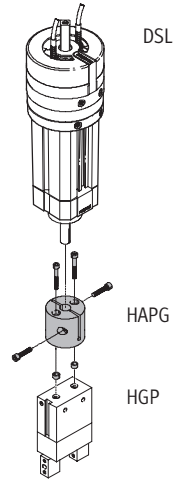
# DSL, DSM/HGP, HGD, HGW, HGR combination

Technical data

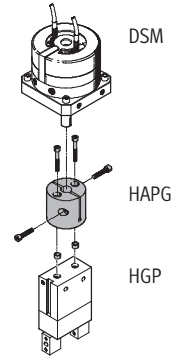


## Adapter kit HAPG

Material:  
Wrought aluminium alloy, anodised  
Centring sleeves: High-alloy steel  
Free of copper, PTFE and silicone



Direct mounting  
DSL with spigot shaft



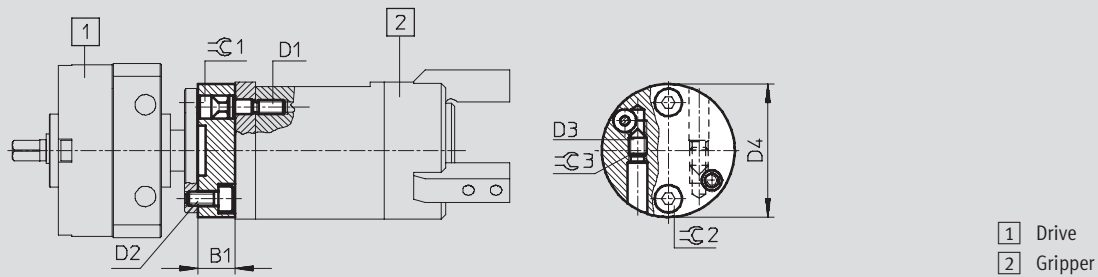
Direct mounting  
DSM with spigot shaft

## Dimensions and ordering data

Download CAD data → [www.festo.com/en/engineering](http://www.festo.com/en/engineering)

Direct mounting via flanged shaft

HAPG-34/-35 for parallel gripper HGP, three-point gripper HGD, radial gripper HGR, angle gripper HGW



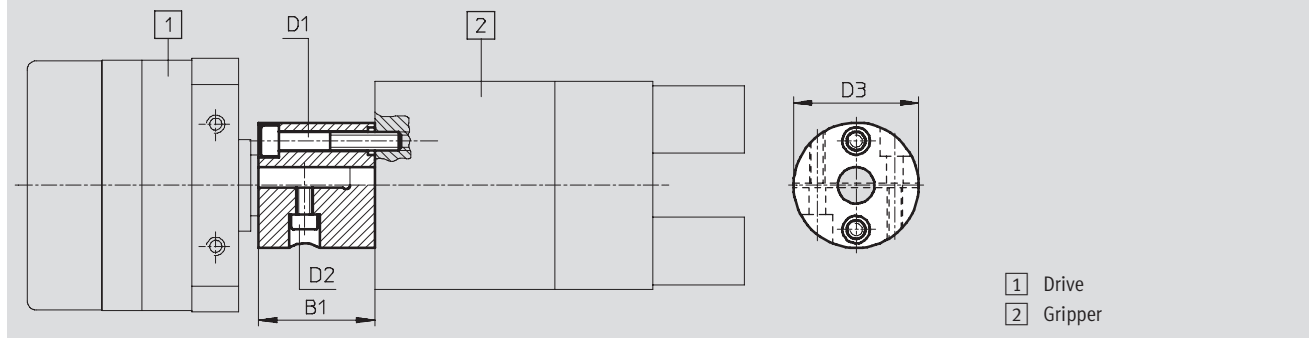
Drive	Gripper	B1	D1	D2	D3	D4	L1	L2	⊙ 1	⊙ 2	⊙ 3	Part No.	Type
DSM-6/-8/-10	HGP-6 HGR-10 HGW-10	10	M3	M3	M4	28	-	-	2.5	2.5	2	187 568	HAPG-34
DSM-8/-10	HGD-16	8	M3	M3	M4	29	-	-	2.5	2.5	2	187 569	HAPG-35

# DSL, DSM/HGD, HGP, HGW, HGR combination

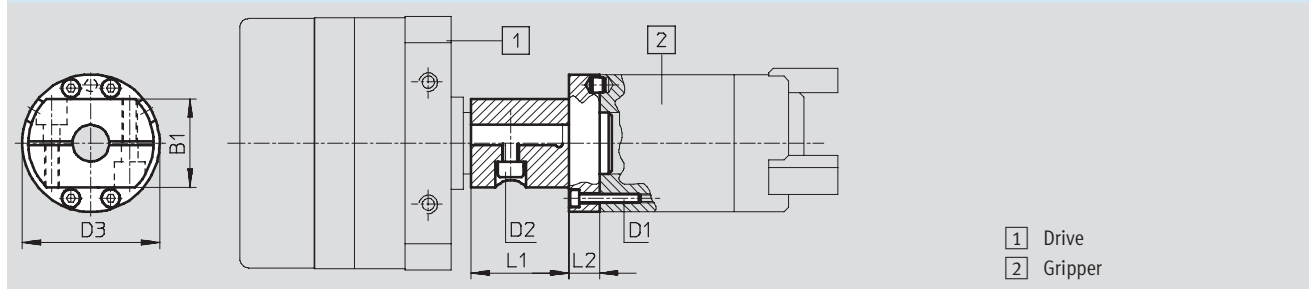
Technical data

**Dimensions and ordering data** Download CAD data → [www.festo.com/en/engineering](http://www.festo.com/en/engineering)

Direct mounting via spigot shaft  
 HAPG-17 ... 22 for parallel gripper HGP, radial gripper HGR, angle gripper HGW



Direct mounting via spigot shaft  
 HAPG-23/-24 for three-point gripper HGD



Drive	Gripper	B1	D1	D2	D3	D4	L1	L2	≈C 1	≈C 2	≈C 3	Part No.	Type
DSM-12 DSL-16	HGP-10 HGR-16 HGW-16	27	M3	M3	24	-	-	-	2.5	2.5	-	163 266	HAPG-17
DSM-16 DSL-20	HGP-10 HGR-16 HGW-16	28	M3	M4	33	-	-	-	2.5	3	-	163 267	HAPG-18
DSM-16 DSL-20	HGP-16 HGP-20 HGR-25 HGW-25	28	M4	M4	34	-	-	-	3	3	-	163 268	HAPG-19
DSM-25 DSL-25	HGP-16 HGP-20 HGR-25 HGW-25	38	M4	M5	41	-	-	-	3	4	-	163 269	HAPG-20
DSM-25 DSL-25	HGP-25 HGR-32 HGW-32	38	M6	M5	41	-	-	-	5	4	-	163 270	HAPG-21
DSM-32 DSL-32	HGP-25 HGR-32 HGW-32	46	M6	M5	41	-	-	-	5	4	-	163 271	HAPG-22
DSM-25 DSL-25	HGD-32	29	M3	M5	45	-	32	10	2.5	4	-	163 272	HAPG-23
DSM-32 DSL-32	HGD-50	29	M5	M5	70	-	42	12	4	4	-	163 273	HAPG-24

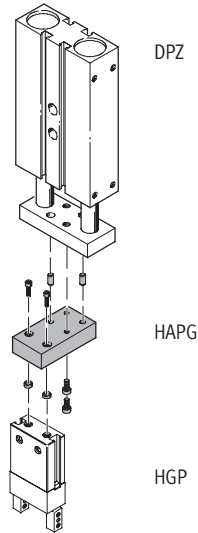
# DPZ/HGP, HGW, HGR combination

Technical data



## Adapter kit HAPG

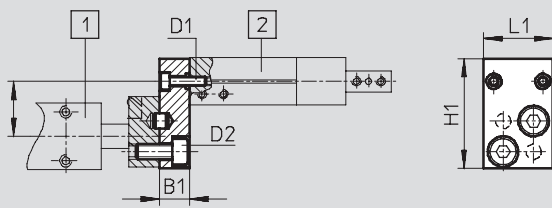
Material:  
Wrought aluminium alloy, anodised  
Centring pins/sleeves: High-alloy steel  
Free of copper, PTFE and silicone



## Dimensions and ordering data

Download CAD data → [www.festo.com/en/engineering](http://www.festo.com/en/engineering)

HAPG-1/-2



- 1 Drive
- 2 Gripper

Drive	Gripper	B1	D1	D2	H1	L1	L2	Part No.	Type
DPZ-10	HGP-10	10	M3	M5	36	22.6	18	<b>163 250</b>	<b>HAPG-1</b>
DPZ-16	HGR-16								
DPZJ-10	HGW-16								
DPZJ-16									
DPZ-16	HGP-16	10	M4	M5	36	34.6	18	<b>163 251</b>	<b>HAPG-2</b>
DPZJ-16	HGP-20								
	HGR-25								
	HGW-25								

# DPZ/HGP, HGW, HGR combination

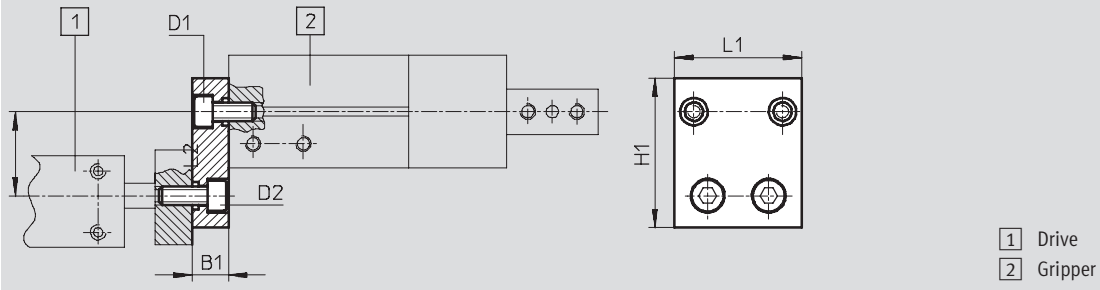
Technical data



## Dimensions and ordering data

Download CAD data → [www.festo.com/en/engineering](http://www.festo.com/en/engineering)

HAPG-3/-4



Drive	Gripper	B1	D1	D2	H1	L1	L2	Part No.	Type
DPZ-20 DPZJ-20	HGP-16 HGP-20 HGR-25 HGW-25	12	M4	M6	37	34.6	19	163 252	HAPG-3
DPZ-25 DPZ-32 DPZJ-25 DPZJ-32	HGP-25 HGR-32 HGW-32	12	M6	M6	49	41.5	27.5	163 253	HAPG-4