



- Compact
- Functional
- Multiple variants
- Versatile

Drive/drive connectors

Key features



System components
Adapters

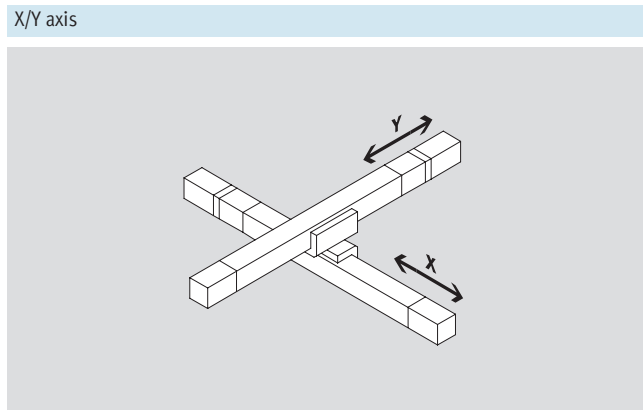
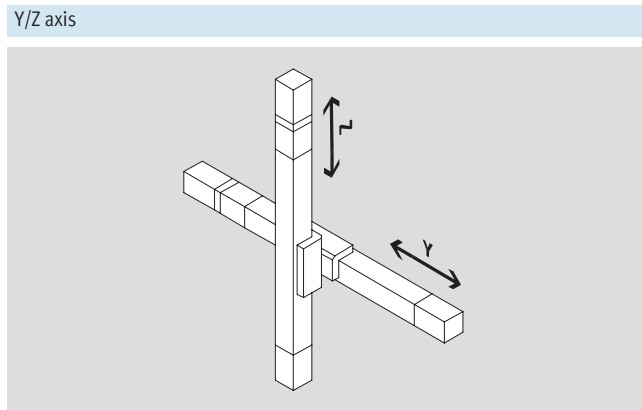
3.2

At a glance			
Compact	Functional	Versatile	Individual
<ul style="list-style-type: none"> • Drive combinations with harmonised connecting kits • Sturdy kits for accurate and reliable drive combinations 	<ul style="list-style-type: none"> • With the numerous adapter kit variants on offer a wealth of combination options is available • With linear movements in every direction, supplemented by rotary movements, almost any desired application can be realised 	<ul style="list-style-type: none"> • Combination of different Festo drives into one complete system • All the parts required for the combination are included in the scope of delivery 	<ul style="list-style-type: none"> • Application-oriented combinations can be selected: <ul style="list-style-type: none"> – Direct mounting – Dovetail mounting

The system

Definition of axes

To determine the drive, the movement mounting position, the movement planes are defined in the y and z axes. Depending on the combination and (y or x) may change.



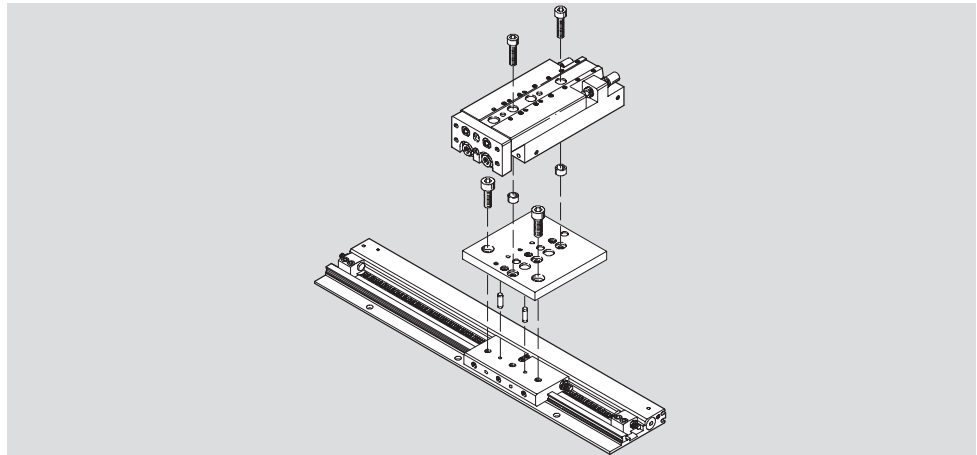
Drive/drive connectors

Key features

Types of connection

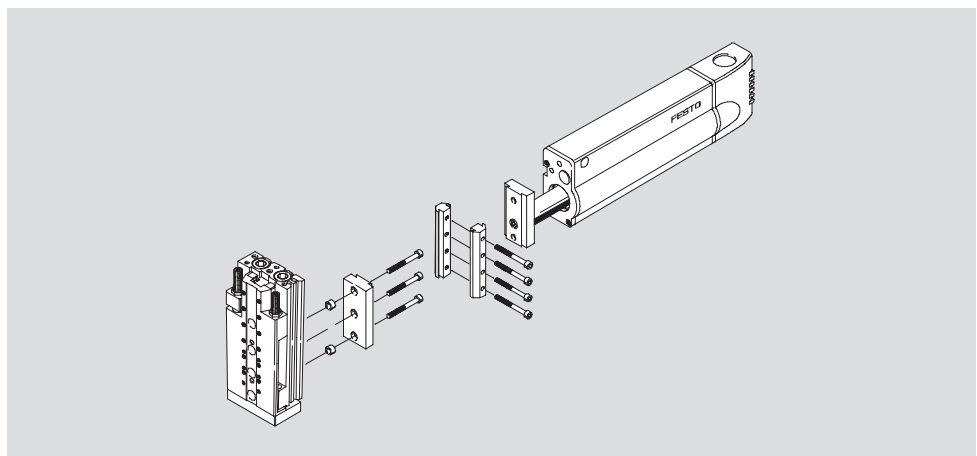
Direct mounting

Two drives are connected directly using screws and centring sleeves or via an adapter plate using screws and centring sleeves.



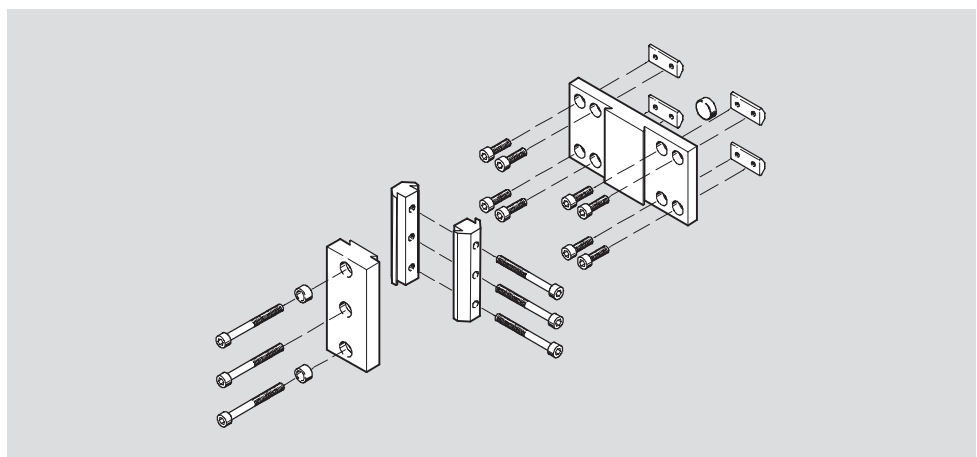
Dovetail mounting

Two drives are connected using a dovetail clamping device and possibly also an adapter plate.



Assembly

For the quick connection of two drives, the required screws, centring sleeves, centring pins, clamping components, adapter plates and slot nuts are contained in the scope of delivery of the adapter kit.



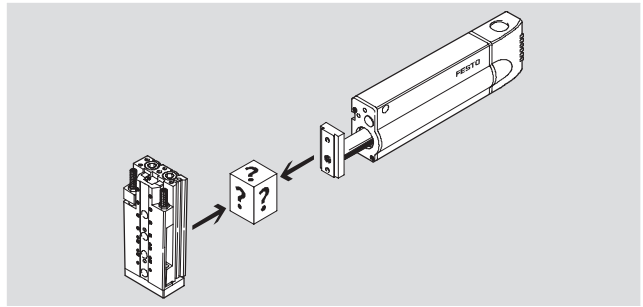
Drive/drive combinations

Selection aid



Adapter kits provide a fast, sturdy and precise connection between Festo grippers and drives.

The scope of delivery includes all necessary accessories such as bolts, centring discs, sleeves or pins and nuts.



System components
Adapters

3.2

Possible combinations						
	X/Y	HMP, HME	HMPL	DGSL	SLT, SLTE	SLG
	Z					
	HMP	→ 5 / 3.2-6	–	–	–	–
	HMPL	→ 5 / 3.2-8	→ 5 / 3.2-15	–	–	–
	DGSL	→ 5 / 3.2-10	–	→ 5 / 3.2-17	–	→ 5 / 3.2-21
	SLT, SLTE	→ 5 / 3.2-11	–	–	→ 5 / 3.2-19	→ 5 / 3.2-22
	SLF	–	–	–	–	→ 5 / 3.2-23
	DRQD	→ 5 / 3.2-12	→ 5 / 3.2-16	→ 5 / 3.2-18	→ 5 / 3.2-20	–
	DSL	→ 5 / 3.2-14	–	–	–	–

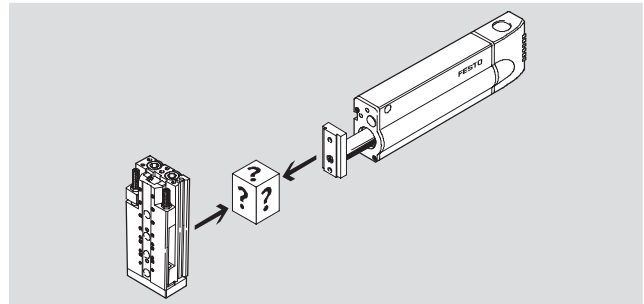
Drive/drive combinations

Selection aid



Adapter kits provide a fast, sturdy and precise connection between Festo grippers and drives.

The scope of delivery includes all necessary accessories such as bolts, centring discs, sleeves or pins and nuts.



Possible combinations						
	X/Y					
	DRQD	DGPL/DGE-KF	DG...-HD	SPZ	DPZ	
Z		→ 5 / 3.2-24	→ 5 / 3.2-26	→ 5 / 3.2-39	-	-
		→ 5 / 3.2-24	→ 5 / 3.2-27	-	-	-
		→ 5 / 3.2-18	→ 5 / 3.2-28	-	-	-
		→ 5 / 3.2-24	→ 5 / 3.2-29	-	-	-
		-	→ 5 / 3.2-30	-	-	-
		-	→ 5 / 3.2-32	-	-	-
		-	→ 5 / 3.2-32	-	-	-
		-	→ 5 / 3.2-33	-	-	-
		-	-	-	→ 5 / 3.2-40	→ 5 / 3.2-40
		-	→ 5 / 3.2-34	-	→ 5 / 3.2-40	→ 5 / 3.2-40
		-	→ 5 / 3.2-35	-	-	-

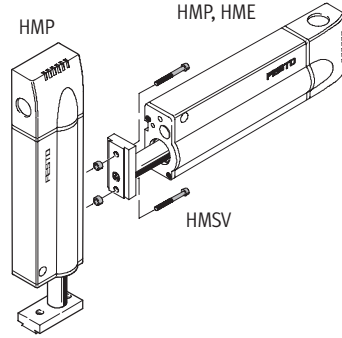
HMP, HME/HMP combination

Technical data

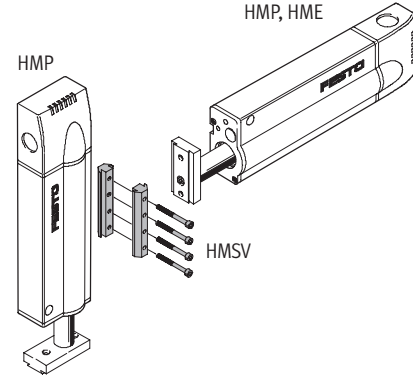


Adapter kit HMSV

Material:
Wrought aluminium alloy, anodised
Centring sleeves: High-alloy steel
Slot nuts: Tempered steel
Free of copper, PTFE and silicone



Direct mounting

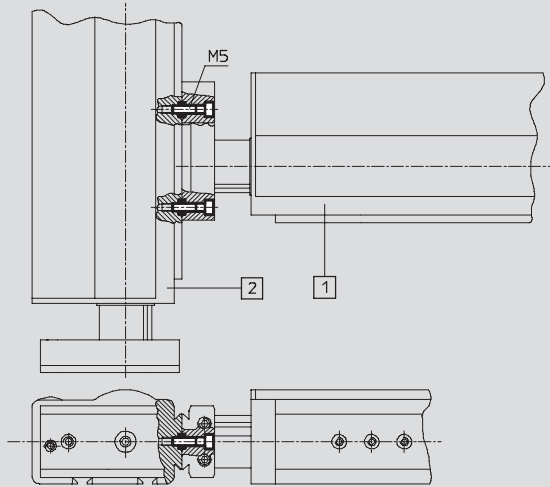


Dovetail mounting

Dimensions and ordering data

Download CAD data → www.festo.com/en/engineering

Direct mounting



- 1 Linear module HMP, HME²⁾
- 2 Linear module HMP

Drive 1	Drive 2	CRC ¹⁾	Part No.	Type
HMP/HME-16 ²⁾	HMP-16	2	177 648	HMSV-2
HMP-20	HMP-16/20		177 650	HMSV-4
HMP-25/32	HMP-16/20		177 651	HMSV-5
HME-25 ²⁾				
HMP/HME-25 ²⁾	HMP-25		177 652	HMSV-6
HMP-32	HMP-25/32			

1) Corrosion resistance class 2 to Festo standard 940 070
Components subject to moderate corrosion stress. Externally visible parts with primarily decorative surface requirements which are in direct contact with a normal industrial environment or media such as coolants or lubricating agents

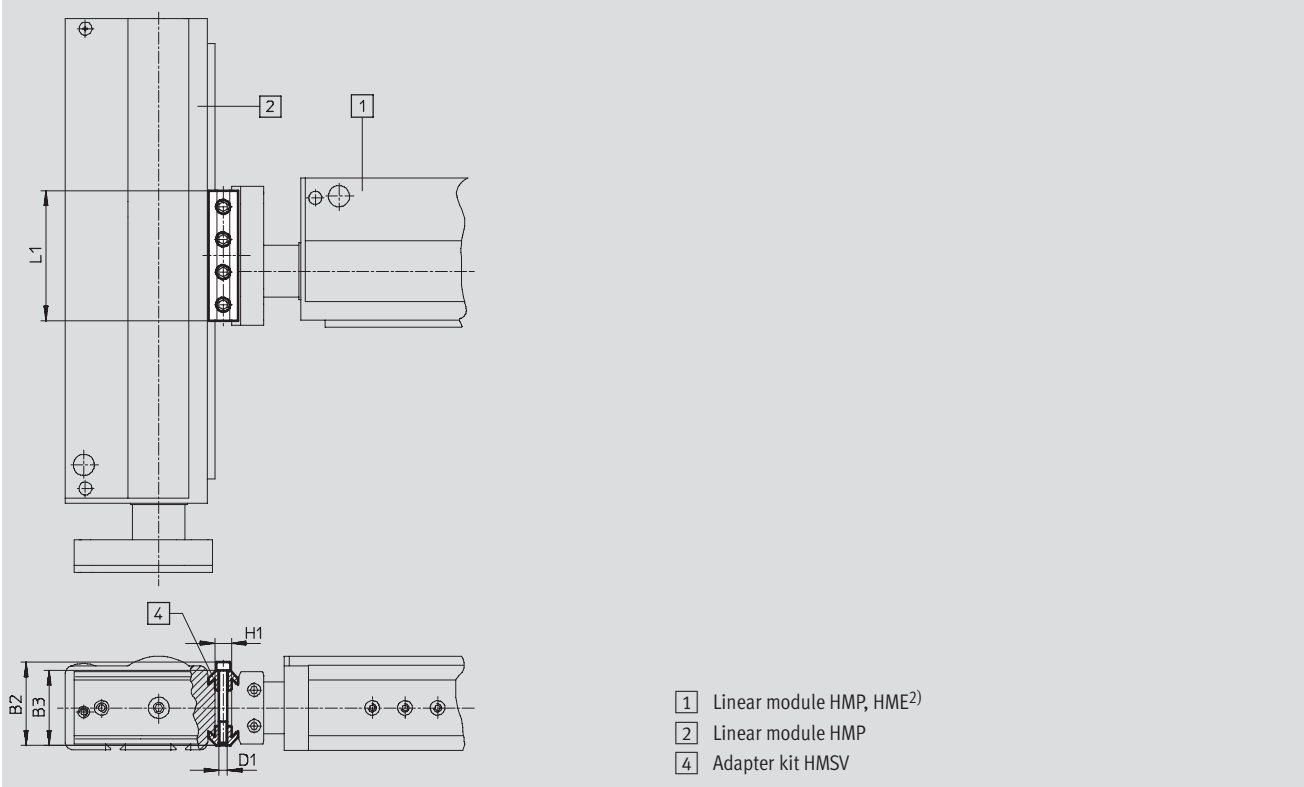
2) HME: Horizontal mounting position, vertical on request

HMP, HME/HMP combination

Technical data

Dimensions and ordering data Download CAD data → www.festo.com/en/engineering

Dovetail mounting



Drive 1	Drive 2	B2	B3	D1	H1	L1	CRC ¹⁾	Part No.	Type
HMP-16/20/25 HME-16/25 ²⁾	HMP-16	51	46	M5	10	80	2	177 647	HMSV-1
HMP-20 HMP/HME-25 ²⁾	HMP-20 HMP-20/25					100		177 649	HMSV-3
HMP-32	HMP-16 HMP-20/25/32					120		177 653	HMSV-7

1) Corrosion resistance class 2 to Festo standard 940 070
 Components subject to moderate corrosion stress. Externally visible parts with primarily decorative surface requirements which are in direct contact with a normal industrial environment or media such as coolants or lubricating agents

2) HME: Horizontal mounting position, vertical on request

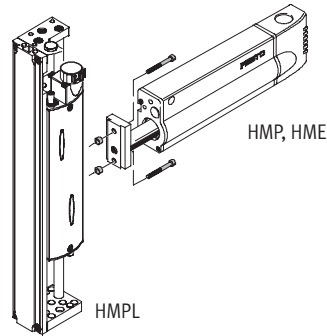
HMP, HME/HMPL combination

Technical data

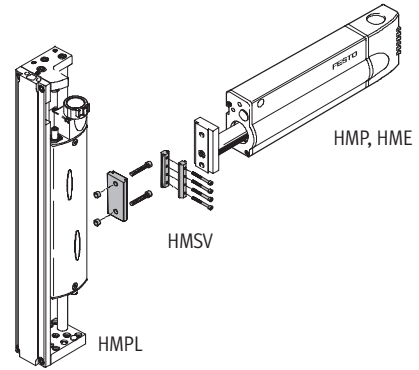


Adapter kit HMSV

Material:
Wrought aluminium alloy, anodised
Centring sleeves: High-alloy steel
Free of copper, PTFE and silicone



Direct mounting

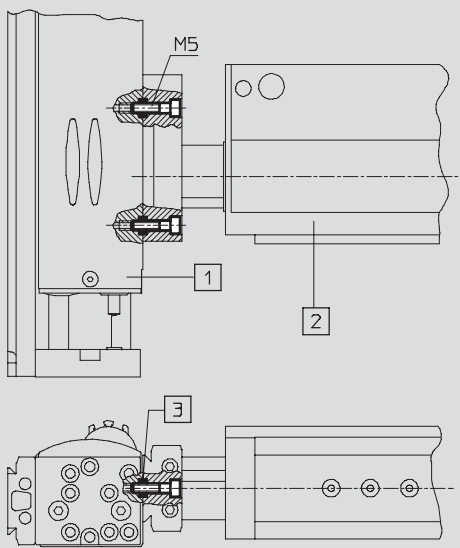


Dovetail mounting

Dimensions and ordering data

Download CAD data → www.festo.com/en/engineering

Direct mounting



- 1 Linear module HMPL
- 2 Linear module HMP, HME
- 3 Centring sleeve ZBH-9

Drive	Drive	Part No.	Type	Required quantity	PU ²⁾
HMP-16/20	HMPL-12/16/20	–	M5x22 DIN 912 ¹⁾	2	–
HME-16		150 927	ZBH-9	2	10
HMP/HME-25	HMPL-16/20	–	M5x30 DIN 912 ¹⁾	2	–
		150 927	ZBH-9	2	10

- 1) The screws listed are not included with the drives
- 2) Packaging unit quantity

HMP, HME/HMPL combination

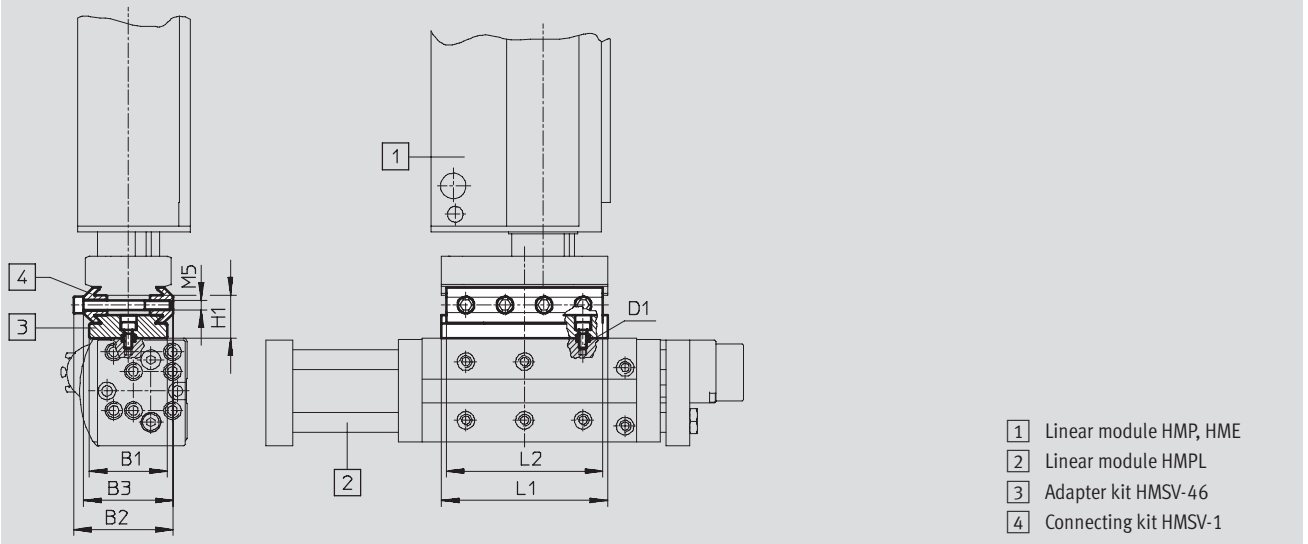
Technical data



Dimensions and ordering data

Download CAD data → www.festo.com/en/engineering

Dovetail mounting



Drive	Drive	B1	B2	B3	D1	H1	L1	L2	CRC ¹⁾	Part No.	Type
HMP-16/20	HMPL-12/16/20	40	51	46	M3	22	85	80	2	193 923	HMSV-46
HME-16	HMPL-16/20									177 647	HMSV-1
HMP/HME-25	HMPL-16/20										
HMP-32	HMPL-20										

1) Corrosion resistance class 2 to Festo standard 940 070
 Components subject to moderate corrosion stress. Externally visible parts with primarily decorative surface requirements which are in direct contact with a normal industrial environment or media such as coolants or lubricating agents

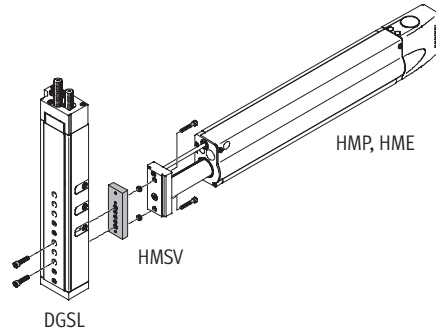
HMP, HME/DGSL combination

Technical data



Adapter kit HMSV

Material:
Wrought aluminium alloy, anodised
Centring sleeves: High-alloy steel
Free of copper, PTFE and silicone

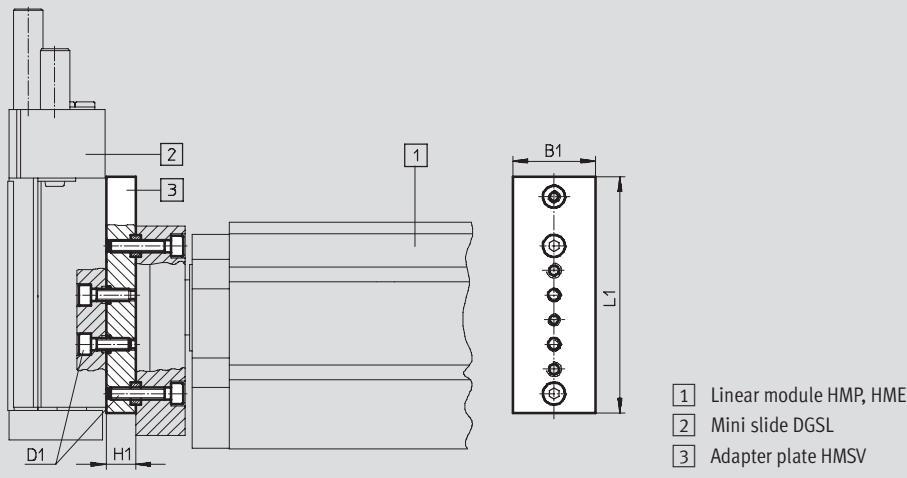


Direct mounting

Dimensions and ordering data

Download CAD data → www.festo.com/en/engineering

Direct mounting



Drive	Drive	B1	D1	H1	L1	CRC ¹⁾	Part No.	Type
HMP/HME-16	DGSL-16	33.6	M5	12	96	2	548 779	HMSV-49
HMP-20	DGSL-16/20							
HMP/HME-25	DGSL-20/25							
HMP-32	DGSL-25							

1) Corrosion resistance class 2 to Festo standard 940 070
Components subject to moderate corrosion stress. Externally visible parts with primarily decorative surface requirements which are in direct contact with a normal industrial environment or media such as coolants or lubricating agents

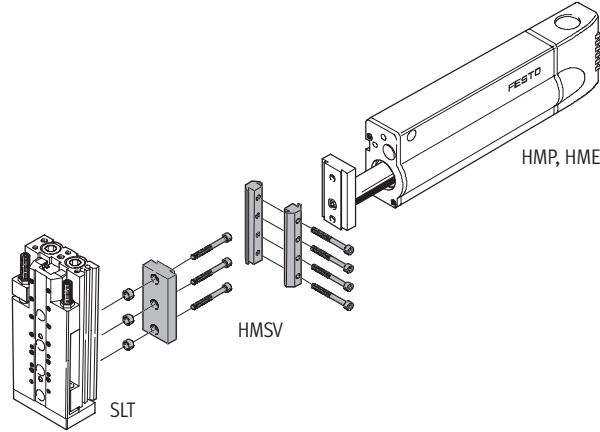
HMP, HME/SLT, SLTE combination

Technical data



Adapter kit HMSV

Material:
Wrought aluminium alloy, anodised
Centring sleeves: High-alloy steel
Free of copper, PTFE and silicone

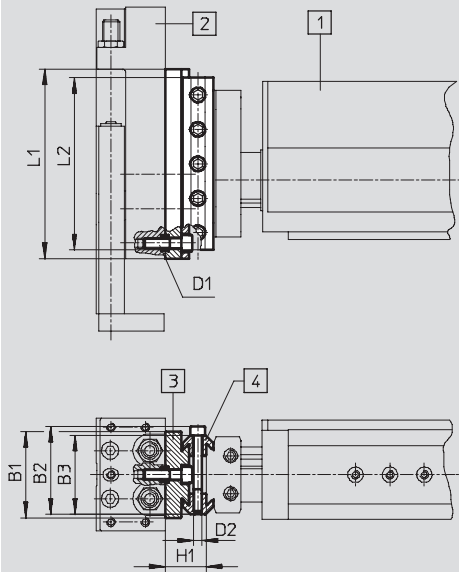


Dovetail mounting

Dimensions and ordering data

Download CAD data → www.festo.com/en/engineering

Dovetail mounting



- 1 Linear module HMP, HME
- 2 Mini slide SLT, SLTE
- Adapter kit HMSV, comprising:
- 3 Adapter plate
- 4 Dovetail clamp

Drive	Drive	B1	B2	B3	D1	D2	H1	L1	L2	CRC ¹⁾	Part No.	Type
HMP/HME-16	SLT-6	40	51	46	M3	M5	22	85	80	2	178 329	HMSV-34
HMP-16/20 HME-16	SLT/SLTE-10				M4						178 330	HMSV-35
HMP-16/20/25 HME-16/25	SLT/SLTE-16	50			24		110	100	178 331		HMSV-36	
HMP-20/25/32 HME-25	SLT-20	80			M6		26	100	178 332		HMSV-37	
HMP-25/32 HME-25	SLT-25				M8							

1) Corrosion resistance class 2 to Festo standard 940 070
Components subject to moderate corrosion stress. Externally visible parts with primarily decorative surface requirements which are in direct contact with a normal industrial environment or media such as coolants or lubricating agents

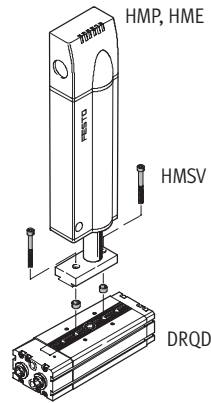
HMP, HME/DRQD combination

Technical data

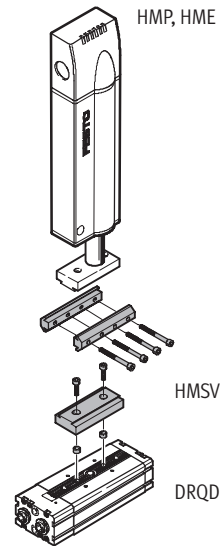


Adapter kit HMSV

Material:
Wrought aluminium alloy, anodised
Centring sleeves: High-alloy steel
Free of copper, PTFE and silicone



Direct mounting



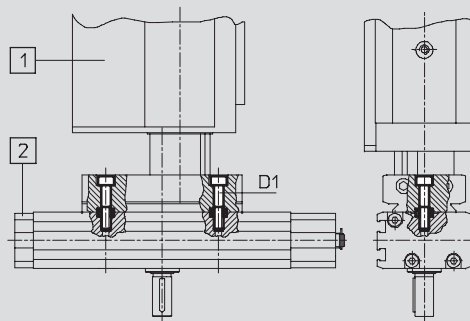
Dovetail mounting

Dimensions and ordering data

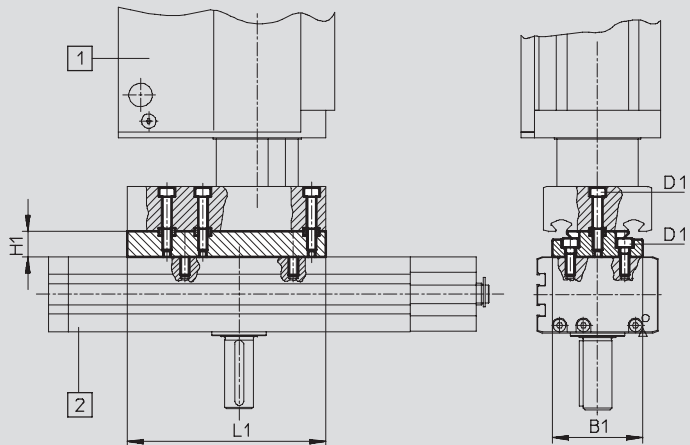
Download CAD data → www.festo.com/en/engineering

Direct mounting

HMSV-4/-5



HMSV-11/-13/-15/-17



- 1 Linear module HMP, HME²⁾
- 2 Semi-rotary drive DRQD

Drive	Drive	B1	D1	H1	L1	CRC ¹⁾	Part No.	Type
HMP-16/20 HME-16 ²⁾	DRQD-16/20	-	M5	-	-	2	177 650	HMSV-4
HMP/HME-25 ²⁾	DRQD-16/20						177 651	HMSV-5
HMP-32	DRQD-25	50	M5	14	110	2	177 657	HMSV-11
	DRQD-25				133		177 659	HMSV-13
	DRQD-32				177 661		HMSV-15	
							177 663	HMSV-17

- 1) Corrosion resistance class 2 to Festo standard 940 070
Components subject to moderate corrosion stress. Externally visible parts with primarily decorative surface requirements which are in direct contact with a normal industrial environment or media such as coolants or lubricating agents
- 2) HME: Horizontal mounting position, vertical on request

HMP, HME/DRQD combination

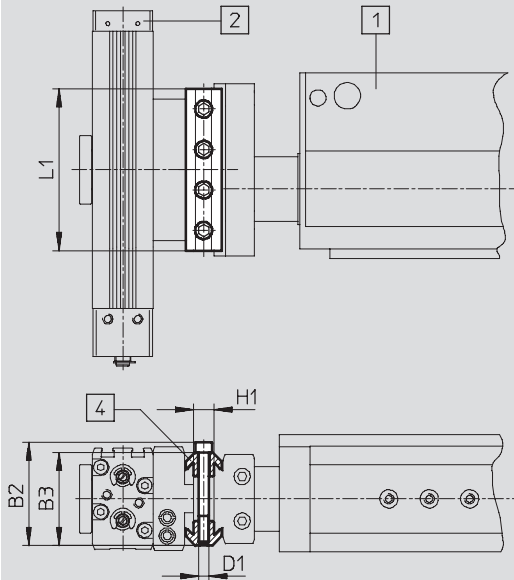
Technical data



Dimensions and ordering data Download CAD data → www.festo.com/en/engineering

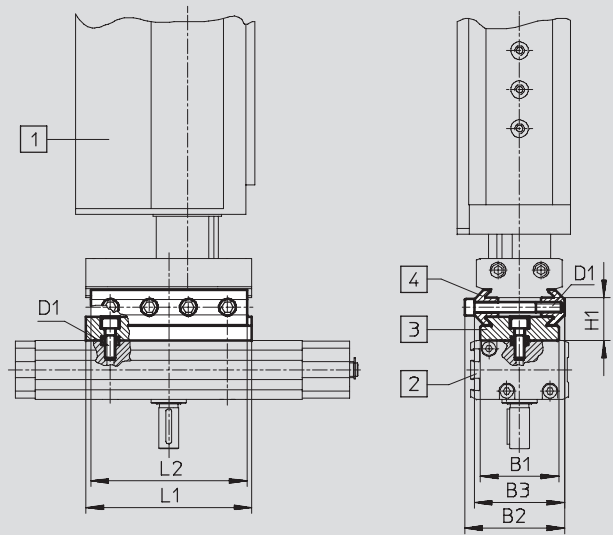
Dovetail mounting

HMSV-1



- 1 Linear module HMP, HME²⁾
- 2 Semi-rotary drive DRQD-SD
- 4 Dovetail clamp

HMSV-10/14/16/18/19



- 1 Linear module HMP, HME²⁾
- 2 Semi-rotary drive DRQD

- Adapter kit HMSV, comprising:
- 3 Adapter plate
 - 4 Dovetail clamp

Drive	Drive	B1	B2	B3	D1	H1	L1	L2	CRC ¹⁾	Part No.	Type
HMP-16/20/25/32 HME-16 ²⁾	DRQD-16/20 (SD32, SD42)	-	51	46	M5	10	80	-	2	177 647	HMSV-1
HMP-16/20/25 HME-16/25 ²⁾	DRQD-16/20	40	51	46	M5	22	85	80	2	177 656	HMSV-10
HMP/HME-25 ²⁾	DRQD-25	50				24	110	100		177 660	HMSV-14
HMP-32	DRQD-20					133	120	177 662		HMSV-16	
	DRQD-25					177 664	HMSV-18				
	DRQD-32									177 665	HMSV-19

- 1) Corrosion resistance class 2 to Festo standard 940 070
Components subject to moderate corrosion stress. Externally visible parts with primarily decorative surface requirements which are in direct contact with a normal industrial environment or media such as coolants or lubricating agents
- 2) HME: Horizontal mounting position, vertical on request

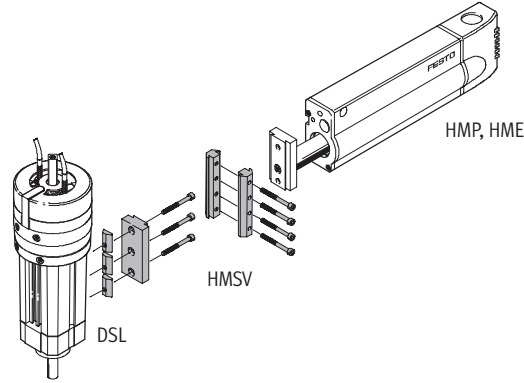
HMP, HME/DSL combination

Technical data



Adapter kit HMSV

Material:
Wrought aluminium alloy, anodised
Slot nuts: Tempered steel
Free of copper, PTFE and silicone

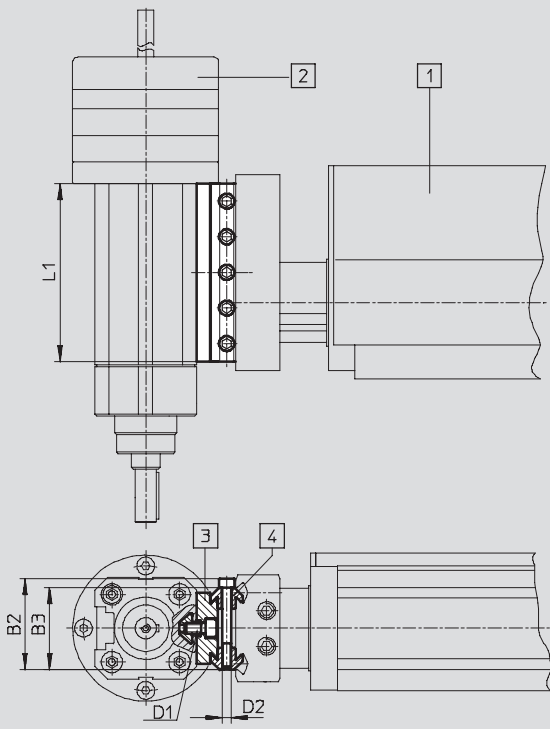


Dovetail mounting

Dimensions and ordering data

Download CAD data → www.festo.com/en/engineering

Dovetail mounting



- 1 Linear module HMP, HME
 - 2 Swivel/linear unit DSL
- Adapter kit HMSV, comprising:
- 3 Adapter plate
 - 4 Dovetail clamp

Drive	Drive	B2	B3	D1	D2	L1	CRC ¹⁾	Part No.	Type
HMP-16/20/25	DSL-16	51	46	M5	M5	80	2	177 654	HMSV-8
HME-16/25	DSL-20								
HMP-20/25	DSL-25								
HME-25	DSL-25	51	46	M6	M5	100	2	177 655	HMSV-9
HMP/HME-25	DSL-25								
HMP-32	DSL-20/25/32								

1) Corrosion resistance class 2 to Festo standard 940 070

Components subject to moderate corrosion stress. Externally visible parts with primarily decorative surface requirements which are in direct contact with a normal industrial environment or media such as coolants or lubricating agents

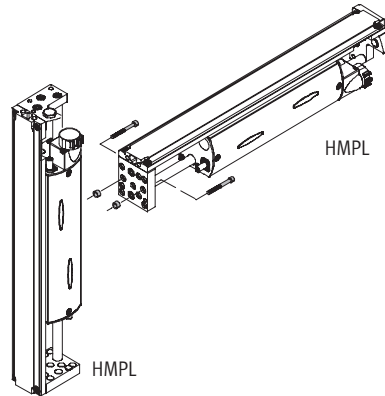
HMPL/HMPL combination

Technical data

Adapter kit

(user configured)

Material:
to DIN 912
Centring sleeves: High-alloy steel
Free of copper, PTFE and silicone

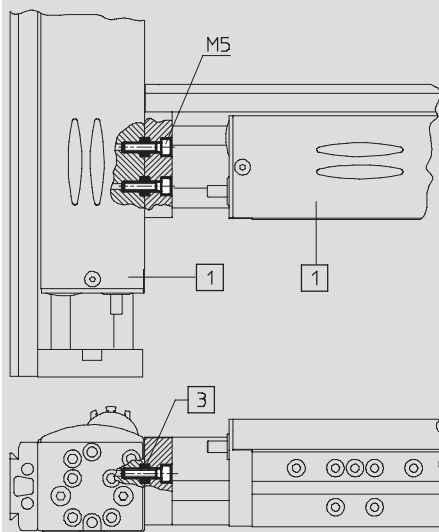


Direct mounting

Dimensions and ordering data

Download CAD data → www.festo.com/en/engineering

Direct mounting



- 1 Linear module HMPL
- 3 Centring sleeve ZBH-9

Drive	Drive	Part No.	Type	Required quantity	PU ²⁾
HMPL-12	HMPL-12	-	M5x16 DIN 912 ¹⁾	2	-
HMPL-16	HMPL-12/16	150 927	ZBH-9	2	10
HMPL-20	HMPL-12/16/20				

1) The screws listed are not included with the drives
2) Packaging unit quantity

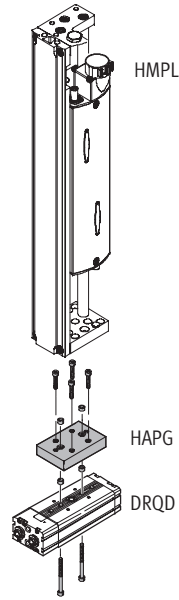
HMPL/DRQD combination

Technical data



Adapter kit HAPG

Material:
Wrought aluminium alloy, anodised
Centring sleeves: High-alloy steel
Free of copper, PTFE and silicone

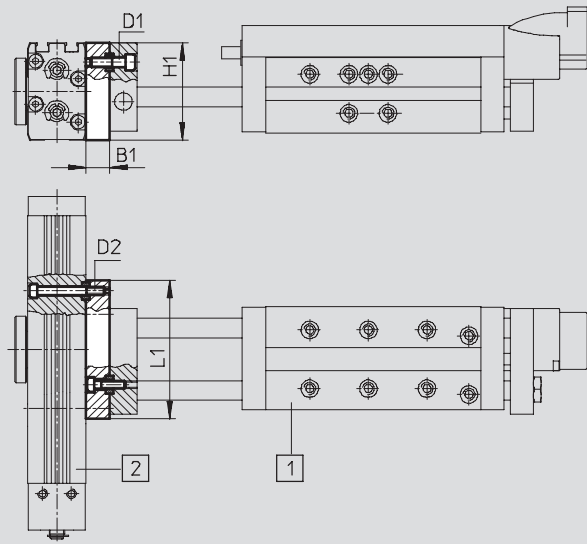


Direct mounting

Dimensions and ordering data

Download CAD data → www.festo.com/en/engineering

Direct mounting



- 1 Linear module HMPL
- 2 Semi-rotary drive DRQD

Drive	Drive ¹⁾	B1	D1	D2	H1	L1	CRC ²⁾	Part No.	Type	Required quantity
HMPL-12	DRQD-6	-	-	-	-	-	-	-	M4x16 DIN 912 ³⁾	2
HMPL-16/20	DRQD-8/12	-	-	-	-	-	-	-	M5x20 DIN 912 ³⁾	2
	DRQD-6	12	M5	M4	42	50	2	193 920	HAPG-36-S2	1
	DRQD-16/20				50	71		192 707	HAPG-38	1

- 1) When using DRQD-8 and 12 with flanged shaft with air throughfeed SD32, the mounting type DRQD-...-B2 must be chosen
- 2) Corrosion resistance class 2 to Festo standard 940 070
Components subject to moderate corrosion stress. Externally visible parts with primarily decorative surface requirements which are in direct contact with a normal industrial environment or media such as coolants or lubricating agents
- 3) The screws listed are not included with the drives

DGSL/DGSL combination

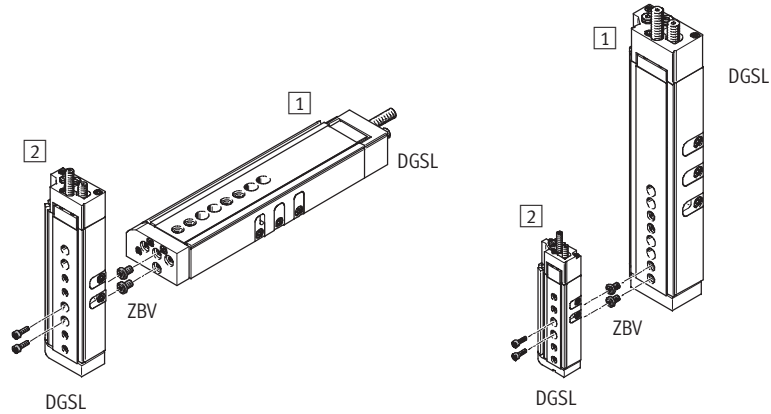
Technical data

Adapter kit

Material:

Centring sleeves and connecting sleeves: High-alloy steel

Free of copper, PTFE and silicone



Direct mounting

Direct mounting

Ordering data		Download CAD data → www.festo.com/en/engineering				
Drive 1	Drive 2	CRC ¹⁾	Part No.	Type	Required quantity	PU ⁴⁾
DGSL-4	DGSL-4	2	–	M3x7 ²⁾	2	–
			189 652	ZBH-5 ³⁾	2	10
DGSL-6	DGSL-4/-6		–	M3x10 ²⁾	2	–
			189 652	ZBH-5 ³⁾	2	10
DGSL-8/-10	DGSL-4/-6		548 802	ZBV-M4-7	1	3
DGSL-8/-10	DGSL-8		–	M4x12 ²⁾	2	–
			186 717	ZBH-7 ³⁾	2	10
DGSL-10	DGSL-10		–	M4x14 ²⁾	3	–
			186 717	ZBH-7 ³⁾	3	10
DGSL-12/-16	DGSL-8/-10		548 803	ZBV-M5-7	1	3
DGSL-12	DGSL-12		–	M5x14 ²⁾	3	–
			186 717	ZBH-7 ³⁾	3	10
DGSL-16	DGSL-12		–	M5x16 ²⁾	3	–
			186 717	ZBH-7 ³⁾	3	10
DGSL-16	DGSL-16		–	M5x18 ²⁾	3	–
			186 717	ZBH-7 ³⁾	3	10
DGSL-20/-25	DGSL-12/-16	548 804	ZBV-M5-9	1	3	
DGSL-20/-25	DGSL-20	–	M6x20 ²⁾	3	–	
		150 927	ZBH-9 ³⁾	3	10	
DGSL-25	DGSL-25	–	M6x30 ²⁾	3	–	
		150 927	ZBH-9 ³⁾	3	10	

1) Corrosion resistance class 2 to Festo standard 940 070
 Components subject to moderate corrosion stress. Externally visible parts with primarily decorative surface requirements which are in direct contact with a normal industrial environment or media such as coolants or lubricating agents

2) The screws listed are not included with the drives

3) The centring sleeves are supplied together with the drives

4) Packaging unit quantity

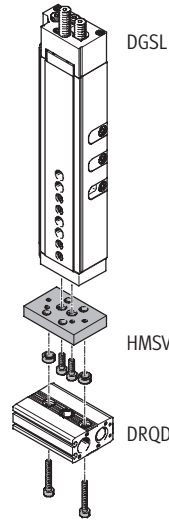
DGSL/DRQD combination

Technical data

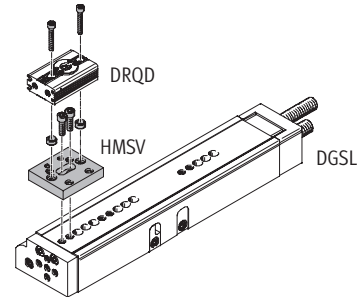


Adapter kit HMSV

Material:
Wrought aluminium alloy, anodised
Centring sleeves: High-alloy steel
Free of copper, PTFE and silicone



Direct mounting on yoke plate

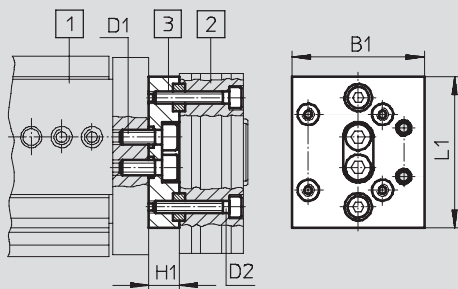


Direct mounting on slide

Dimensions and ordering data

Download CAD data → www.festo.com/en/engineering

Direct mounting



- 1 Mini slide DGSL
- 2 Semi-rotary drive DRQD
- 3 Adapter plate HMSV

Drive	Drive	B1	D1	D2	H1	L1	CRC ¹⁾	Part No.	Type
Direct mounting on yoke plate									
DGSL-4/6	DRQD-6	17	M3	M3	8	40	2	548 783	HMSV-53
DGSL-8/10	DRQD-8/12	33	M4	M3	9	50	2	548 784	HMSV-54
DGSL-12/16	DRQD-8/12	43.5	M6	M4	10			548 785	HMSV-55
DGSL-20/25	DRQD-16/20	73			12	100	548 786	HMSV-56	
Direct mounting on slide									
DGSL-8/10	DRQD-8/12	33	M4	M3	9	50	2	548 784	HMSV-54
DGSL-12/16	DRQD-8/12	43.5	M6	M4	10			548 785	HMSV-55
DGSL-20/25	DRQD-16/20	73			12	100	548 786	HMSV-56	

1) Corrosion resistance class 2 to Festo standard 940 070

Components subject to moderate corrosion stress. Externally visible parts with primarily decorative surface requirements which are in direct contact with a normal industrial environment or media such as coolants or lubricating agents

SLT, SLTE/SLT, SLTE combination

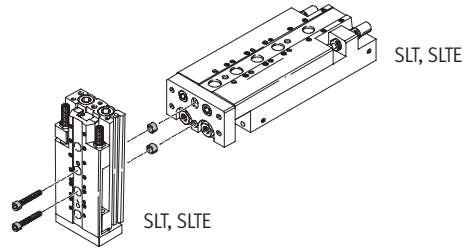
Technical data



Adapter kit

(user configured)

Material:
to DIN 912
Centring sleeves: High-alloy steel
Free of copper, PTFE and silicone

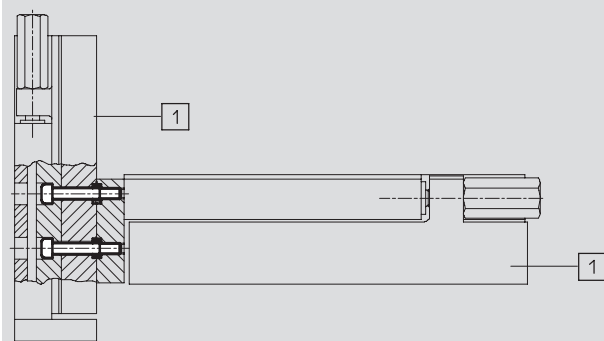


Direct mounting on yoke plate

Dimensions and ordering data

Download CAD data → www.festo.com/en/engineering

Direct mounting



1 Mini slide SLT, SLTE

Drive	Drive	Part No.	Type	Required quantity	PU ²⁾
SLT/SLTE-10	SLT-6	–	M3x20 DIN 912 ¹⁾	2	–
		189 652	ZBH-5	2	10
SLT/SLTE-16	SLT/SLTE-10	–	M4x25 DIN 912 ¹⁾	2	–
		186 717	ZBH-7	2	10
SLT-20	SLT/SLTE-16	–	M5x30 DIN 912 ¹⁾	2	–
		150 927	ZBH-9	2	10
SLT-25	SLT-20	–	M6x40 DIN 912 ¹⁾	2	–
		189 653	ZBH-12	2	10

1) The screws listed are not included with the drives

2) Packaging unit quantity

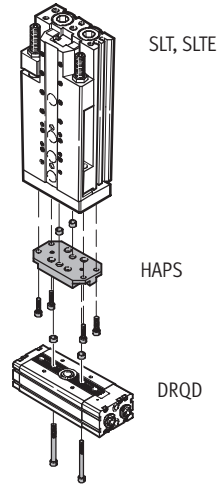
SLT, SLTE/DRQD combination

Technical data



Adapter kit HAPS

Material:
Wrought aluminium alloy, anodised
Centring sleeves: High-alloy steel
Free of copper, PTFE and silicone

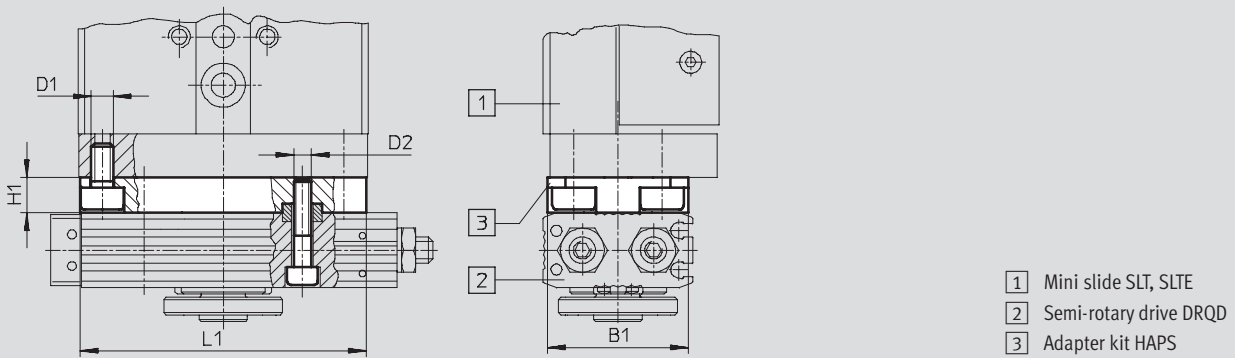


Direct mounting

Dimensions and ordering data

Download CAD data → www.festo.com/en/engineering

Direct mounting



- 1 Mini slide SLT, SLTE
- 2 Semi-rotary drive DRQD
- 3 Adapter kit HAPS

Drive	Drive	B1	D1	D2	H1	L1	CRC ¹⁾	Part No.	Type
SLT-6	DRQD-6	16	M3	M4	8	36	2	178 447	HAPS-1
SLT/SLTE-10	DRQD-8	28	M4			48		178 448	HAPS-2
SLT/SLTE-16	DRQD-12	32	M5			65		178 449	HAPS-3
SLT-20	DRQD-16/20	44		M5	80	178 450		HAPS-4	
SLT-25	DRQD-16/20	58	M8	M6	12	91		178 451	HAPS-5

1) Corrosion resistance class 2 to Festo standard 940 070

Components subject to moderate corrosion stress. Externally visible parts with primarily decorative surface requirements which are in direct contact with a normal industrial environment or media such as coolants or lubricating agents

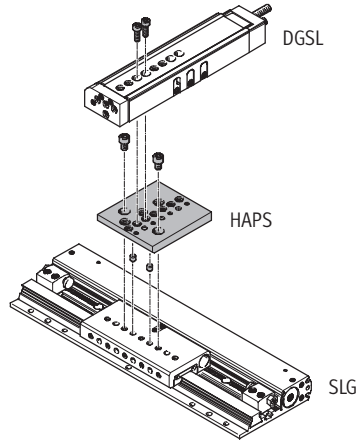
SLG/DGSL combination

Technical data



Adapter kit HAPS

Material:
Wrought aluminium alloy, anodised
Centring sleeves: High-alloy steel
Free of copper, PTFE and silicone

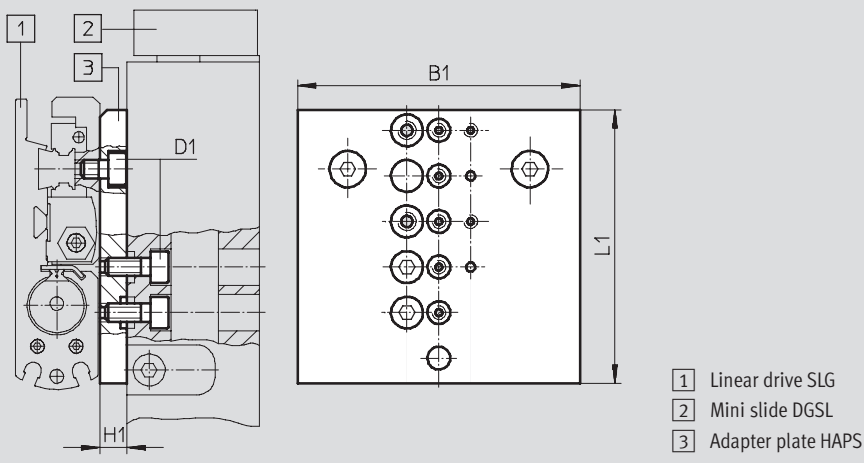


Direct mounting

Dimensions and ordering data

Download CAD data → www.festo.com/en/engineering

Direct mounting



Drive	Drive	B1	D1	H1	L1	CRC ¹⁾	Part No.	Type
SLG-8	DGSL-4/6	62	M4	6	60	2	189 533	HAPS-11
SLG-12	DGSL-4/6/8/10							
SLG-18	DGSL-8/10/12	65	M5	8	80		189 534	HAPS-12

1) Corrosion resistance class 2 to Festo standard 940 070
Components subject to moderate corrosion stress. Externally visible parts with primarily decorative surface requirements which are in direct contact with a normal industrial environment or media such as coolants or lubricating agents

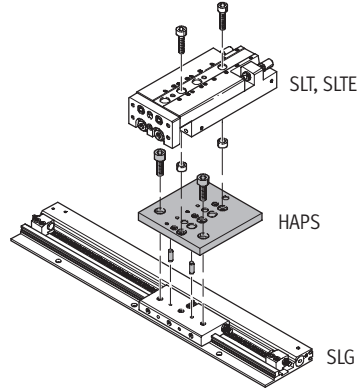
SLG/SLT, SLTE combination

Technical data



Adapter kit HAPS

Material:
Wrought aluminium alloy, anodised
Centring sleeves: High-alloy steel
Free of copper, PTFE and silicone

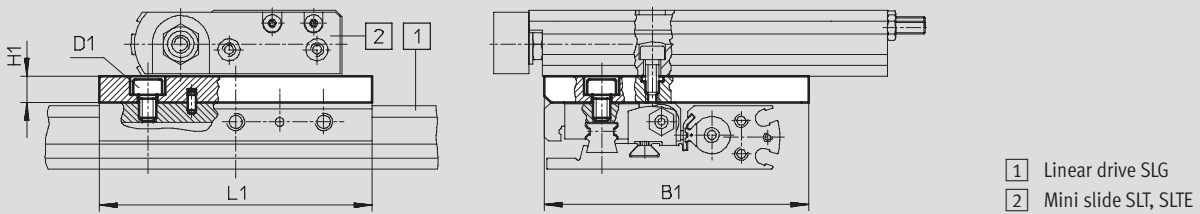


Direct mounting

Dimensions and ordering data

Download CAD data → www.festo.com/en/engineering

Direct mounting



Drive	Drive	B1	D1	H1	L1	CRC ¹⁾	Part No.	Type
SLG-8	SLT-6	60	M4	6	42	2	189 533	HAPS-11
SLG-12	SLT-6/10 SLTE-10							
SLG-18	SLT/SLTE-10/16	70	M5	8	65		189 534	HAPS-12

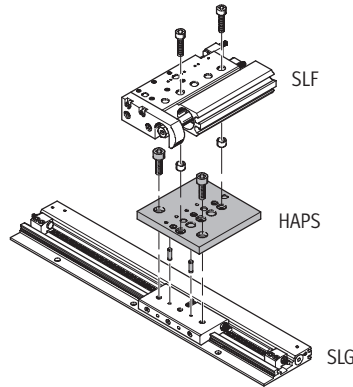
1) Corrosion resistance class 2 to Festo standard 940 070
Components subject to moderate corrosion stress. Externally visible parts with primarily decorative surface requirements which are in direct contact with a normal industrial environment or media such as coolants or lubricating agents

SLG/SLF combination

Technical data

Adapter kit HAPS

Material:
 Wrought aluminium alloy, anodised
 Centring sleeves: High-alloy steel
 Free of copper, PTFE and silicone

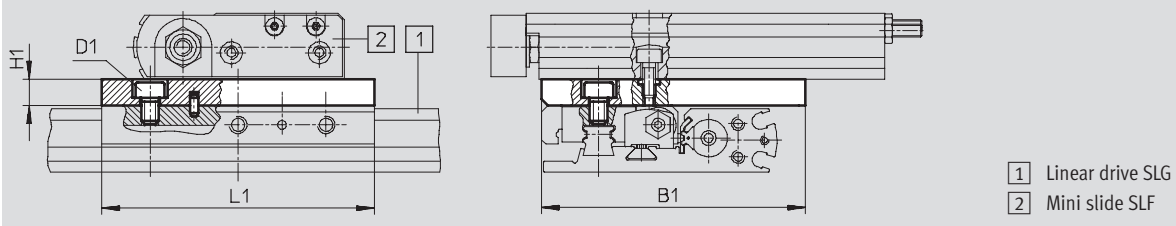


Direct mounting

Dimensions and ordering data

Download CAD data → www.festo.com/en/engineering

Direct mounting



- 1 Linear drive SLG
- 2 Mini slide SLF

Drive	Drive	B1	D1	H1	L1	CRC ¹⁾	Part No.	Type
SLG-8/12	SLF-6/10	60	M4	6	42	2	189 533	HAPS-11
SLG-12	SLF-16							HAPS-12
SLG-18	SLF-10/16	70	M5	8	65		189 534	HAPS-12

1) Corrosion resistance class 2 to Festo standard 940 070
 Components subject to moderate corrosion stress. Externally visible parts with primarily decorative surface requirements which are in direct contact with a normal industrial environment or media such as coolants or lubricating agents

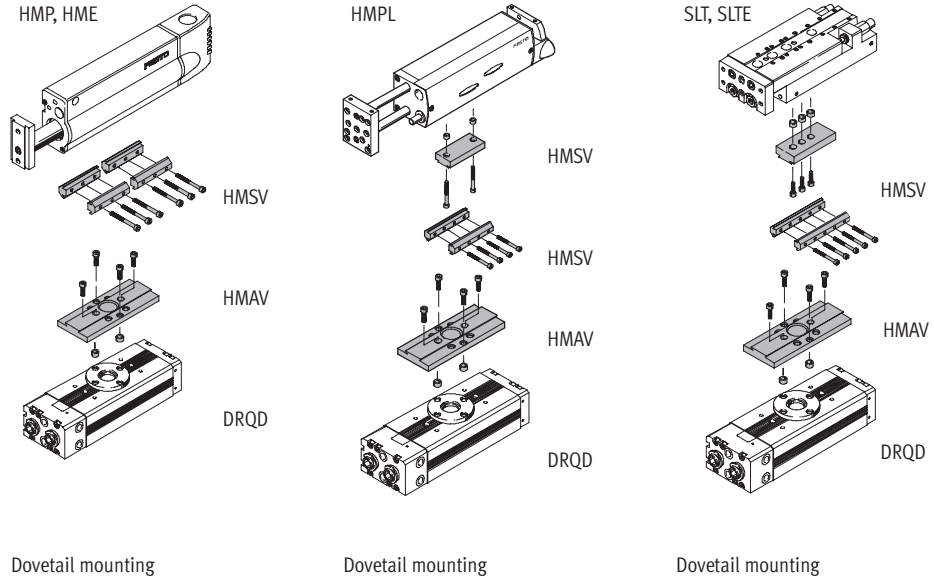
DRQD/HMP, HME, HMPL, SLT, SLTE combination

Technical data



Adapter kit HMAV, HMSV

Material:
Wrought aluminium alloy, anodised
Centring sleeves: High-alloy steel
Free of copper, PTFE and silicone



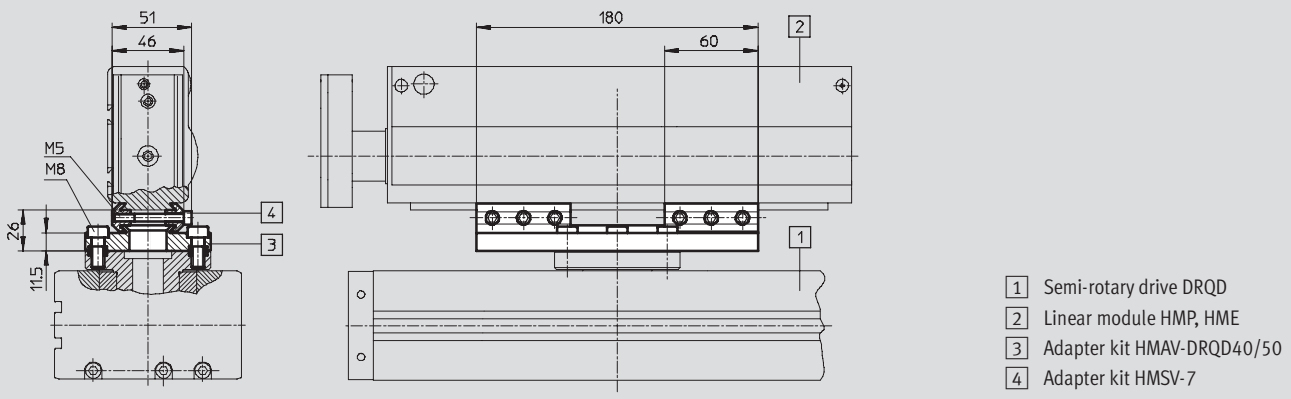
System components
Adapters

3.2

Dimensions and ordering data

Download CAD data → www.festo.com/en/engineering

Dovetail mounting DRQD/HMP, HME



Drive	Drive	CRC ¹⁾	Part No.	Type
DRQD-40/50	HMP-16/20	2	533 804	HMAV-DRQD40/50
	HME-16		177 653	HMSV-7

1) Corrosion resistance class 2 to Festo standard 940 070
Components subject to moderate corrosion stress. Externally visible parts with primarily decorative surface requirements which are in direct contact with a normal industrial environment or media such as coolants or lubricating agents

DRQD/HMP, HME, HMPL, SLT, SLTE combination

Technical data



Dimensions and ordering data Download CAD data → www.festo.com/en/engineering

Dovetail mounting DRQD/HMPL

Drive	Drive	CRC ¹⁾	Part No.	Type
DRQD-40/50	HMPL-12/16/20	2	533 804	HMAV-DRQD40/50
			193 923	HMSV-46
			177 647	HMSV-1

1) Corrosion resistance class 2 to Festo standard 940 070
Components subject to moderate corrosion stress. Externally visible parts with primarily decorative surface requirements which are in direct contact with a normal industrial environment or media such as coolants or lubricating agents.

Dovetail mounting DRQD/SLT, SLTE

Drive	Drive	D1	H1	CRC ¹⁾	Part No.	Type
DRQD-40	SLT/SLTE-16	-	-	2	533 804	HMAV-DRQD40/50
		M6	40		178 331	HMSV-36
DRQD-40/50	SLT-20/25	-	-		533 804	HMAV-DRQD40/50
		M8	42		178 332	HMSV-37

1) Corrosion resistance class 2 to Festo standard 940 070
Components subject to moderate corrosion stress. Externally visible parts with primarily decorative surface requirements which are in direct contact with a normal industrial environment or media such as coolants or lubricating agents

DG.../HMP, HME combination

Technical data



Adapter kit HMAV-DL

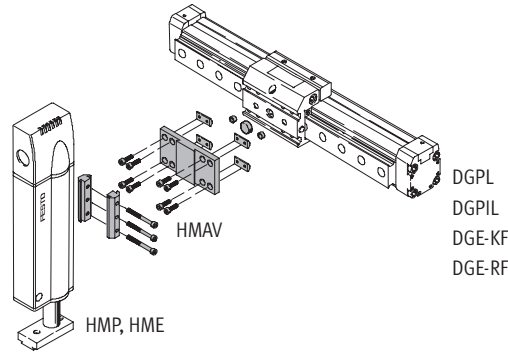
Material:

Wrought aluminium alloy, anodised

Centring sleeves: High-alloy steel

Slot nuts: Tempered steel

Free of copper, PTFE and silicone

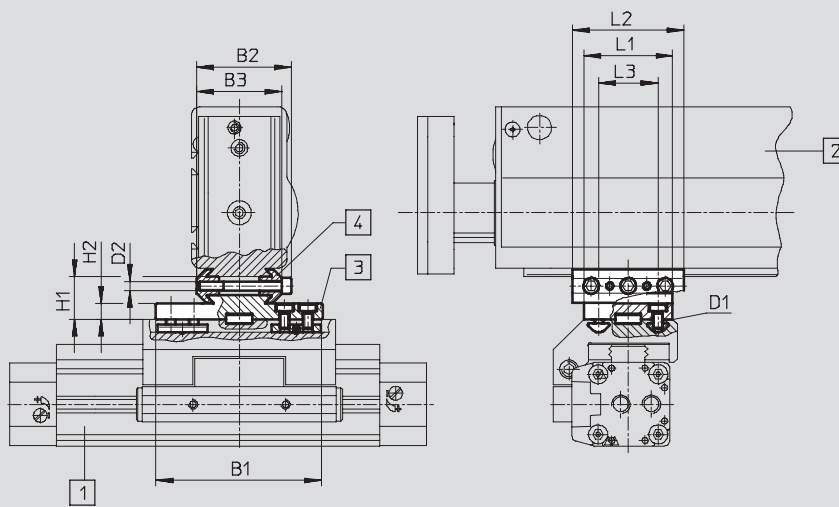


Dovetail mounting

Dimensions and ordering data

Download CAD data → www.festo.com/en/engineering

Dovetail mounting



- 1 Linear drives
DGPL/DGPIL/DGE-KF/DGE-RF
 - 2 Linear module HMP, HME²⁾
- Adapter kit HMAV-DL, comprising:
- 3 Adapter plate
 - 4 Dovetail clamp

Drive	Drive	B1	B2	B3	D1	D2	H1	H2	L1	L2	L3	CRC ¹⁾	Part No.	Type
DG...-25	HMP-16/20 HME-16 ²⁾	90	51	46	M5	M5	23	8.5	48	60	32	2	176 005	HMAV-DL25
DG...-32	HMP-16/20/25 HME-16/25 ²⁾								63.5		47		176 006	HMAV-DL32
DG...-40	HMP-20/25/32 HME-16/25 ²⁾								78	64	55		176 007	HMAV-DL40
DG...-50	HMP-20/25/32 HME-16/25 ²⁾	80	M8	26	11.5	98	72	176 008	HMAV-DL50					
DG...-63	HMP-20/25/32 HME-16/25 ²⁾					120	120	90	176 009	HMAV-DL63				

1) Corrosion resistance class 2 to Festo standard 940 070

Components subject to moderate corrosion stress. Externally visible parts with primarily decorative surface requirements which are in direct contact with a normal industrial environment or media such as coolants or lubricating agents

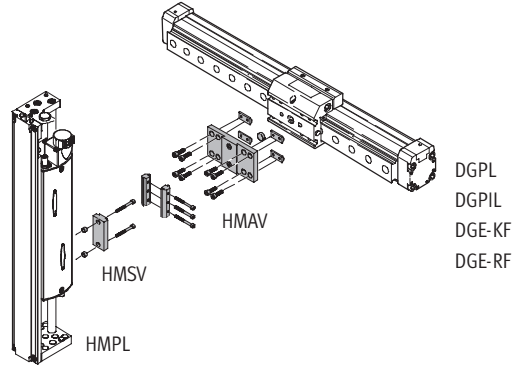
2) HME: Horizontal mounting position, vertical on request

DG.../HMPL combination

Technical data

Adapter kit HMAV, HMSV

Material:
 Wrought aluminium alloy, anodised
 Centring sleeves: High-alloy steel
 Slot nuts: Tempered steel
 Free of copper, PTFE and silicone

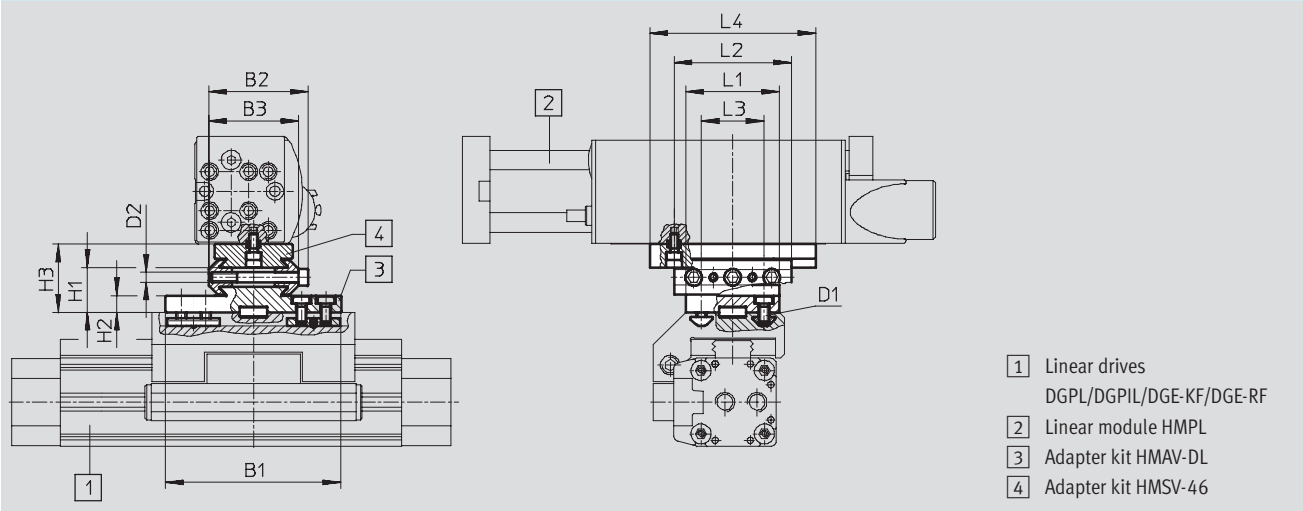


Dovetail mounting

Dimensions and ordering data

Download CAD data → www.festo.com/en/engineering

Dovetail mounting



Drive	Drive	B1	B2	B3	D1	D2	H1	H2	H3	L1	L2	L3	L4	CRC ¹⁾	Part No.	Type
DG...-25	HMPL-12/16/20	90	51	46	M5	M5	23	8.5	35	48	60	47	85	2	176 005	HMAV-DL25
										193 923					HMSV-46	
DG...-32	HMPL-16/20									63.5	176 006	HMAV-DL32				
											193 923	HMSV-46				
DG...-40	HMPL-20									78	64	55			176 007	HMAV-DL40
															193 923	HMSV-46

1) Corrosion resistance class 2 to Festo standard 940 070
 Components subject to moderate corrosion stress. Externally visible parts with primarily decorative surface requirements which are in direct contact with a normal industrial environment or media such as coolants or lubricating agents

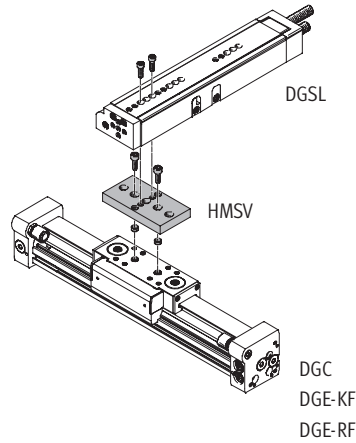
DG.../DGSL combination

Technical data



Adapter kit HMSV

Material:
Wrought aluminium alloy, anodised
Centring sleeves: High-alloy steel
Free of copper, PTFE and silicone

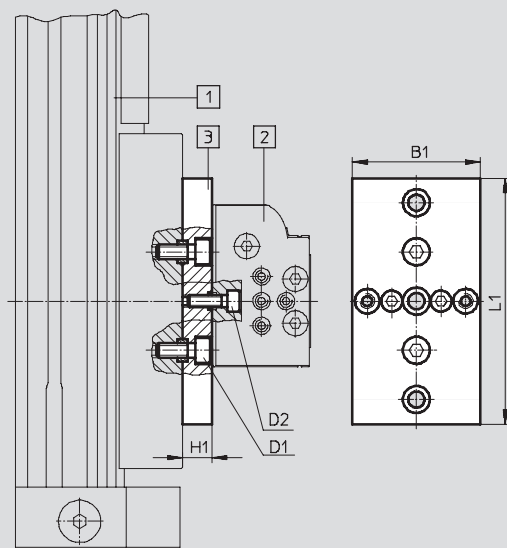


Direct mounting

Dimensions and ordering data

Download CAD data → www.festo.com/en/engineering

Direct mounting



- 1 Linear drives
DGC/DGE-KF/DGE-RF
- 2 Mini slide DGSL
- 3 Adapter kit HMSV

Drive	Drive	B1	D1	D2	H1	L1	CRC ¹⁾	Part No.	Type
DGC-8/12	DGSL-4/6	25	M4	M3	6	52	2	548 777	HMSV-47
DGC-18	DGSL-8/10	34,5	M5	M4	8			548 778	HMSV-48
DG...-25	DGSL-12/16/20/25	52	M6	M5	12	548 781		HMSV-51	
DGC-32/40 DGE-40-KF DGE-40-RF	DGSL-20/25	60		M6	13	100		548 780	HMSV-50

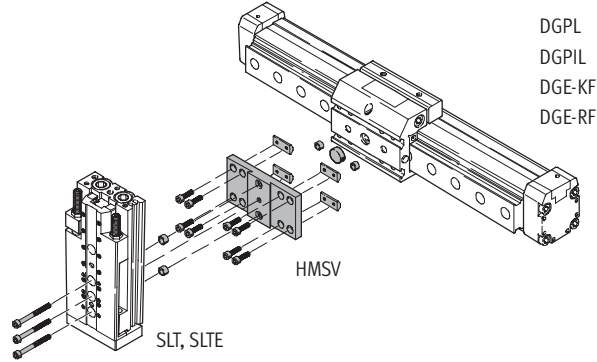
1) Corrosion resistance class 2 to Festo standard 940 070
Components subject to moderate corrosion stress. Externally visible parts with primarily decorative surface requirements which are in direct contact with a normal industrial environment or media such as coolants or lubricating agents

DG.../SLT, SLTE combination

Technical data

Adapter kit HMSV

Material:
 Wrought aluminium alloy, anodised
 Centring sleeves: High-alloy steel
 Slot nuts: Tempered steel
 Free of copper, PTFE and silicone

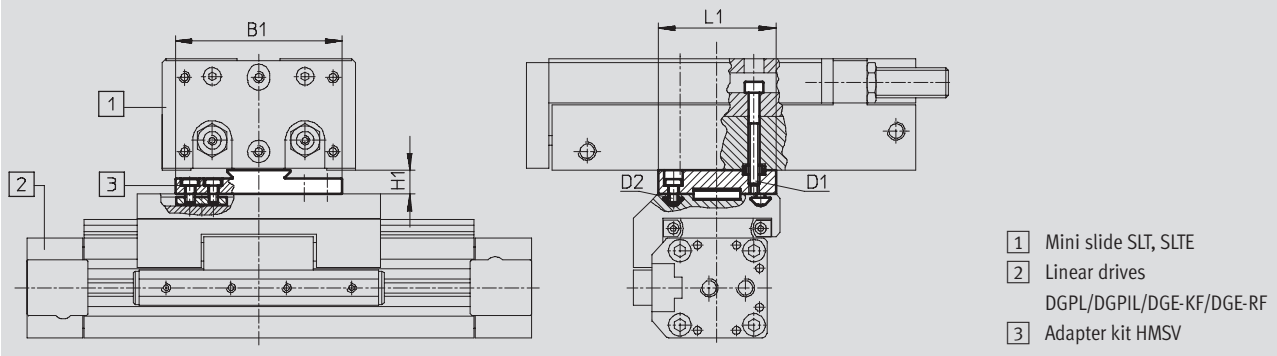


Dovetail mounting

Dimensions and ordering data

Download CAD data → www.festo.com/en/engineering

Dovetail mounting



Drive	Drive	B1	D1	D2	H1	L1	CRC ¹⁾	Part No.	Type
DG...-18	SLT/SLTE-10	80	M4	M5	12	40	2	189 656	HMSV-40
	SLT/SLTE-16		M5					189 657	HMSV-41
DG...-25	SLT/SLTE-16	90	M6	M5	13	54	2	189 658	HMSV-42
	SLT-20					63.5		189 659	HMSV-43
DG...-32	SLT-20	90	M6	M5	13	63.5	2	189 660	HMSV-44
	SLT-25							189 661	HMSV-45

1) Corrosion resistance class 2 to Festo standard 940 070
 Components subject to moderate corrosion stress. Externally visible parts with primarily decorative surface requirements which are in direct contact with a normal industrial environment or media such as coolants or lubricating agents

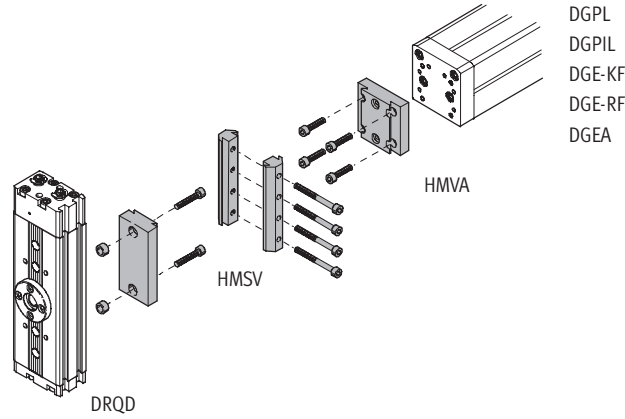
DG.../DRQD combination

Technical data



Adapter kit HMAV, HMSV

Material:
Wrought aluminium alloy, anodised
Centring sleeves: High-alloy steel
Free of copper, PTFE and silicone



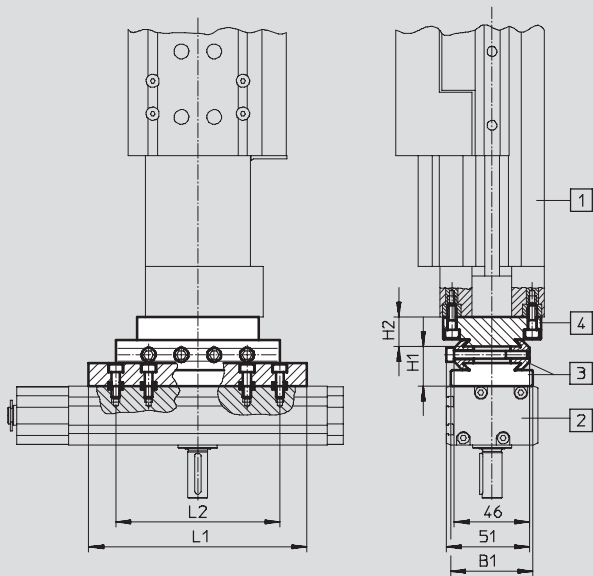
DGPL
DGPIL
DGE-KF
DGE-RF
DGEA

Dovetail mounting

Dimensions

Download CAD data → www.festo.com/en/engineering

Dovetail mounting



- 1 Linear drives
DGPL/DGPIL/DGE-KF/DGE-RF/
DGEA
- 2 Semi-rotary drive DRQD
- 3 Adapter kit HMSV
- 4 Adapter kit HMAV

DG.../DRQD combination

Technical data

Dimensions and ordering data									
Drive	Drive	B1	H1	H2	L1	L2	CRC ¹⁾	Part No.	Type
Dovetail mounting									
DRQD-16/20	DGEA-18	40	22	14	85	80	2	196 788	HMVA-DLA18/25
	DG...-25/32/40							177 656	HMSV-10
DRQD-20	DG...-32	40	22	18	85	80		196 789	HMVA-DL32
	DG...-40							177 656	HMSV-10
DRQD-25	DGEA-18	50	24	18	110	100		196 790	HMVA-DLA40
	DG...-25							177 660	HMSV-14
	DG...-32							196 789	HMVA-DL32
DRQD-25	DG...-40	50	24	18	110	100		177 660	HMSV-14
	DG...-32							196 790	HMVA-DLA40
	DG...-25							177 660	HMSV-14
DRQD-32	DG...-32	50	24	18	133	120	196 789	HMVA-DL32	
	DG...-40						177 665	HMSV-19	
DRQD-32	DG...-40	50	24	18	133	120	196 790	HMVA-DLA40	
	DG...-32						177 665	HMSV-19	

1) Corrosion resistance class 2 to Festo standard 940 070
 Components subject to moderate corrosion stress. Externally visible parts with primarily decorative surface requirements which are in direct contact with a normal industrial environment or media such as coolants or lubricating agents

DG.../DG... combination

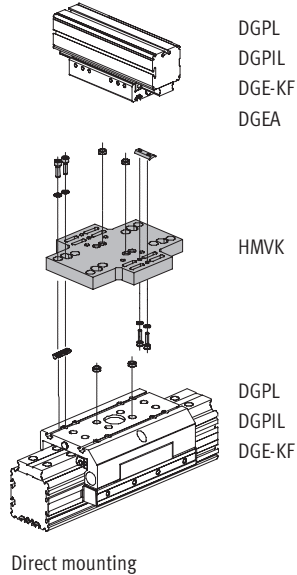
Technical data



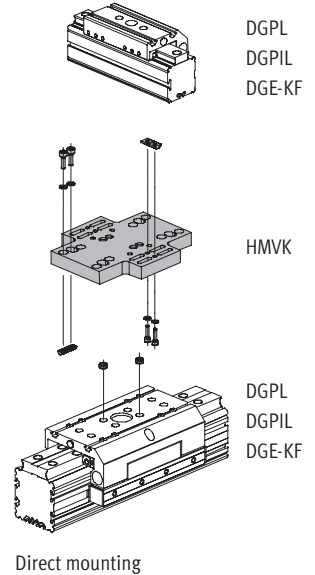
Cross connecting kit HMVK

Material:
Wrought aluminium alloy, anodised
Centring sleeves: High-alloy steel
Slot nuts: Tempered steel
Free of copper, PTFE and silicone

Slide/slide mounting



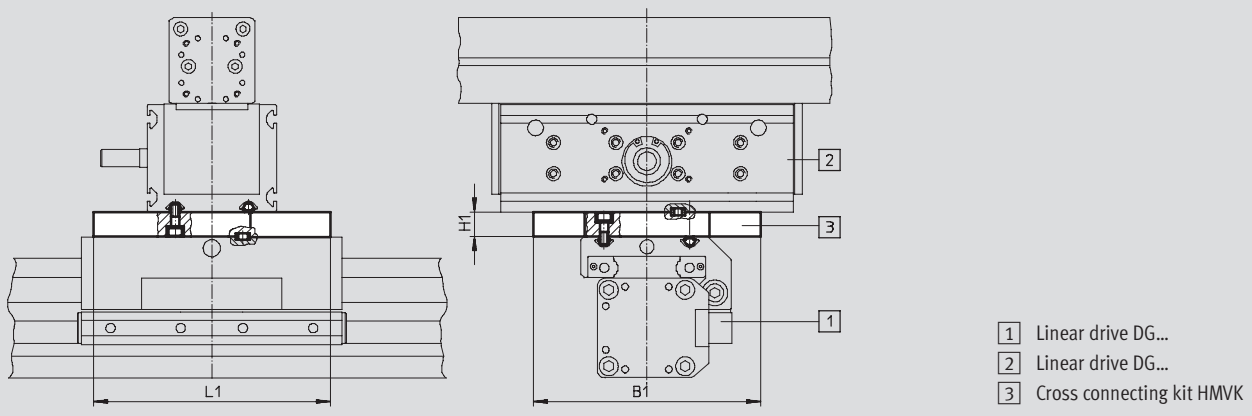
Slide/profile mounting



Dimensions and ordering data

Download CAD data → www.festo.com/en/engineering

Direct mounting



Drive 1	Drive 2	B1	H1	L1	CRC ¹⁾	Part No.	Type
Direct slide/slide mounting							
DG...-25	DG...-18/25	105	12	105	2	196 779	HMVK-DL25-DL18/25
DG...-32	DG...-25	146	16	152		196 781	HMVK-DL32/40-DLA18-32
DG...-40	DG...-25/32					196 783	HMVK-DL63-DLA25/40
DG...-40	DGEA-18/25						
DG...-63	DG...-40	192	23	230			
DG...-63	DGEA-25/40						
Direct slide/profile mounting							
DG...-18	DG...-18	105	12	105	2	196 780	HMVK-DL18/25-DL-18/25
DG...-25	DG...-25	192	23	230	2	196 782	HMVK-DL32/40-DL25
DG...-32/40	DG...-25						
DG...-40	DG...-32/40						

1) Corrosion resistance class 2 to Festo standard 940 070

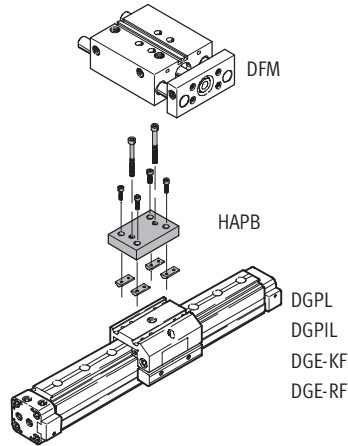
Components subject to moderate corrosion stress. Externally visible parts with primarily decorative surface requirements which are in direct contact with a normal industrial environment or media such as coolants or lubricating agents

DG.../DFM combination

Technical data

Adapter kit HAPB

Material:
Wrought aluminium alloy, anodised
Slot nuts: Tempered steel
Free of copper, PTFE and silicone

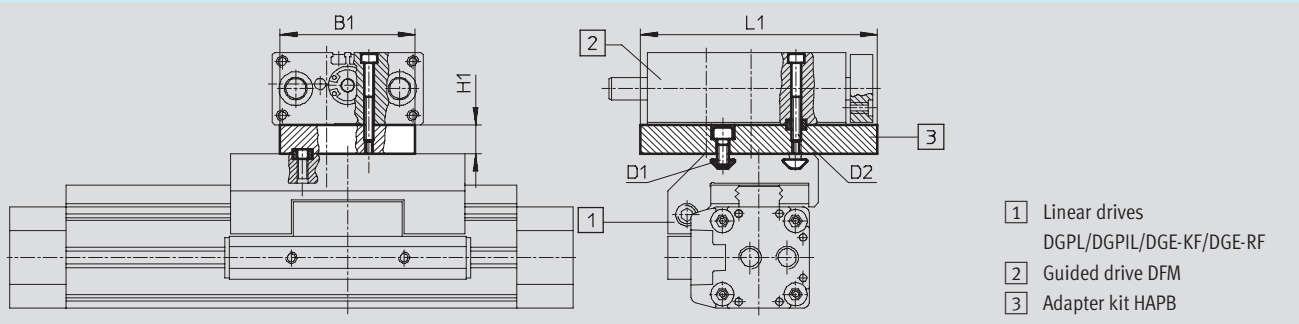


Direct mounting

Dimensions and ordering data

Download CAD data → www.festo.com/en/engineering

Direct mounting



Drive	Drive	B1	D1	D2	H1	L1	CRC ¹⁾	Part No.	Type
DG...-25	DFM-12/16	60	M5	M4	13	105	2	192 690	HAPB-12/16
DG...-32	DFM-20/25	83		M5		115		192 691	HAPB-20/25
DG...-40	DFM-32/40	110		M6	132	192 692		HAPB-32/40	

1) Corrosion resistance class 2 to Festo standard 940 070
Components subject to moderate corrosion stress. Externally visible parts with primarily decorative surface requirements which are in direct contact with a normal industrial environment or media such as coolants or lubricating agents

DG.../DPZ combination

Technical data



Adapter kit HAPB, connecting kit HAVB

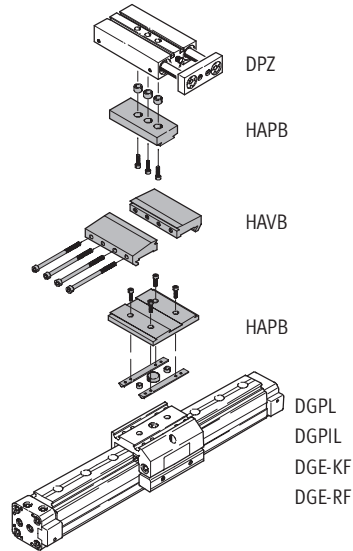
Material:

Wrought aluminium alloy, anodised

Centring sleeves: High-alloy steel

Slot nuts: Tempered steel

Free of copper, PTFE and silicone



Dovetail mounting

Ordering data		Download CAD data → www.festo.com/en/engineering	
Drive	Drive	CRC ¹⁾	Part No. Type ²⁾
Dovetail mounting			
DG...-25	DPZ-16	2	163 216 HAPB-17
			163 244 HAVB-8
			163 202 HAPB-3
	DPZ-20		163 217 HAPB-18
			163 244 HAVB-8
			163 202 HAPB-3
DG...-32	DPZ-16		163 216 HAPB-17
			163 244 HAVB-8
			163 203 HAPB-4
	DPZ-20		163 217 HAPB-18
			163 244 HAVB-8
			163 203 HAPB-4
	DPZ-25	163 218 HAPB-19	
		163 244 HAVB-8	
		163 203 HAPB-4	
DG...-40	DPZ-20	163 217 HAPB-18	
		163 244 HAVB-8	
		163 204 HAPB-5	
	DPZ-25	163 218 HAPB-19	
		163 244 HAVB-8	
		163 204 HAPB-5	
	DPZ-32	163 219 HAPB-20	
		163 244 HAVB-8	
		163 204 HAPB-5	

1) Corrosion resistance class 2 to Festo standard 940 070

Components subject to moderate corrosion stress. Externally visible parts with primarily decorative surface requirements which are in direct contact with a normal industrial environment or media such as coolants or lubricating agents

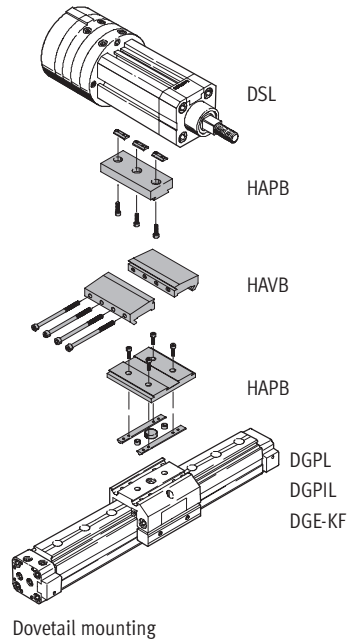
2) Dimensions from → 5 / 3.2-36

DG.../DSL combination

Technical data

Adapter kit HAPB, connecting kit HAVB

Material:
 Wrought aluminium alloy, anodised
 Centring sleeves: High-alloy steel
 Slot nuts: Tempered steel
 Free of copper, PTFE and silicone



Ordering data		Download CAD data → www.festo.com/en/engineering	
Drive	Drive	CRC ¹⁾	Part No. Type ²⁾
Dovetail mounting			
DG...-25	DSL-16/20	2	163 214 HAPB-15
			163 244 HAVB-8
			163 202 HAPB-3
	DSL-25		163 215 HAPB-16
			163 244 HAVB-8
			163 202 HAPB-3
DG...-32	DSL-20		163 214 HAPB-15
			163 244 HAVB-8
			163 203 HAPB-4
	DSL-25/32		163 215 HAPB-16
			163 244 HAVB-8
			163 203 HAPB-4
DG...-40	DSL-25/32	163 215 HAPB-16	
		163 244 HAVB-8	
		163 204 HAPB-5	

1) Corrosion resistance class 2 to Festo standard 940 070
 Components subject to moderate corrosion stress. Externally visible parts with primarily decorative surface requirements which are in direct contact with a normal industrial environment or media such as coolants or lubricating agents

2) Dimensions from → 5 / 3.2-36

Drive/drive connectors

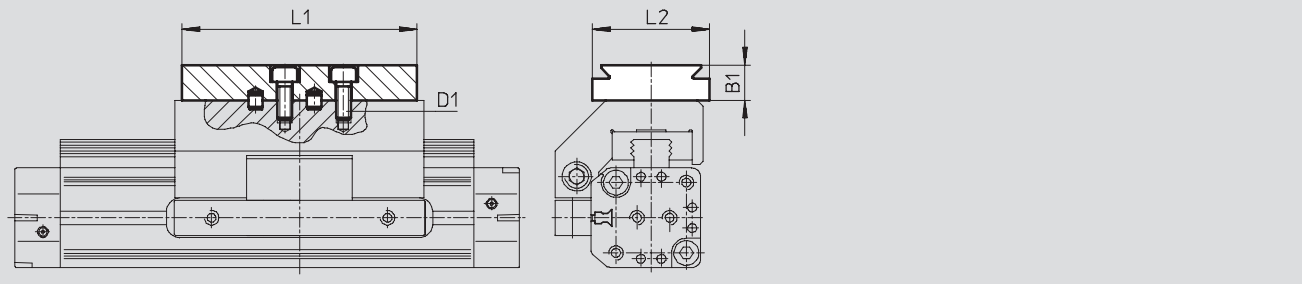
Technical data



Dimensions

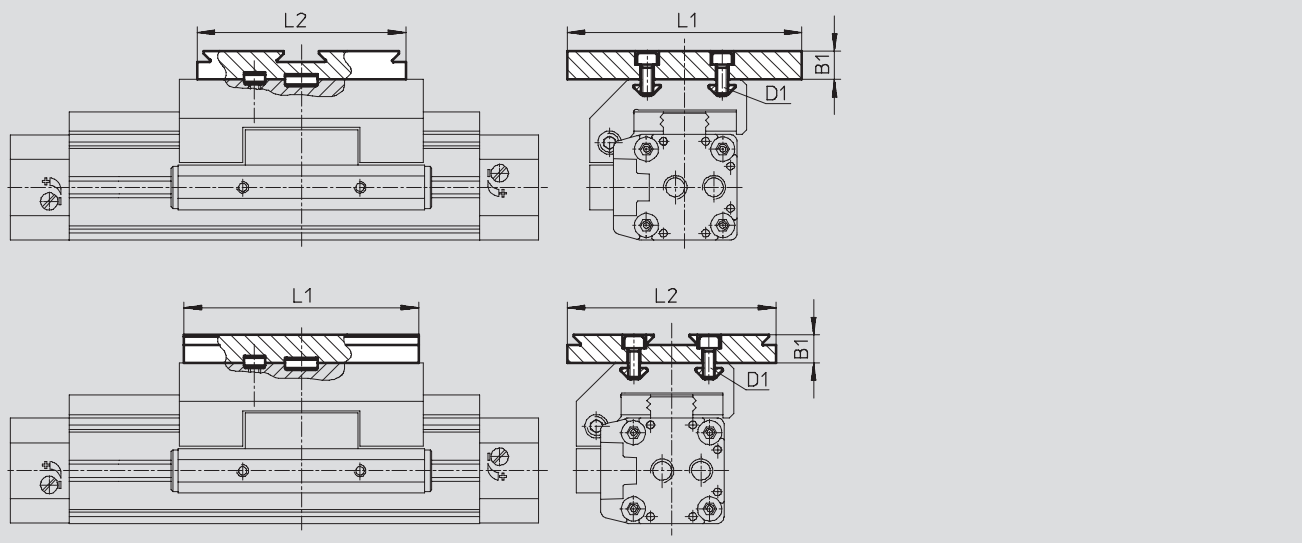
Download CAD data → www.festo.com/en/engineering

Dovetail mounting



Type	B1	D1	L1	L2	CRC ¹⁾
HAPB-1	12	M4	60	40	2
HAPB-2		M5	80		2

Dovetail mounting



Type	B1	D1	L1	L2	CRC ¹⁾
HAPB-3	12	M5	100	89	2
HAPB-4					2
HAPB-5					2

1) Corrosion resistance class 2 to Festo standard 940 070

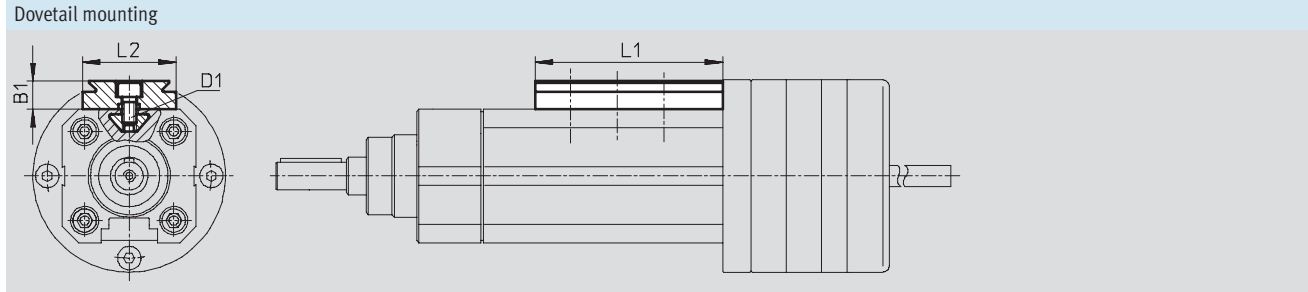
Components subject to moderate corrosion stress. Externally visible parts with primarily decorative surface requirements which are in direct contact with a normal industrial environment or media such as coolants or lubricating agents

Drive/drive connectors

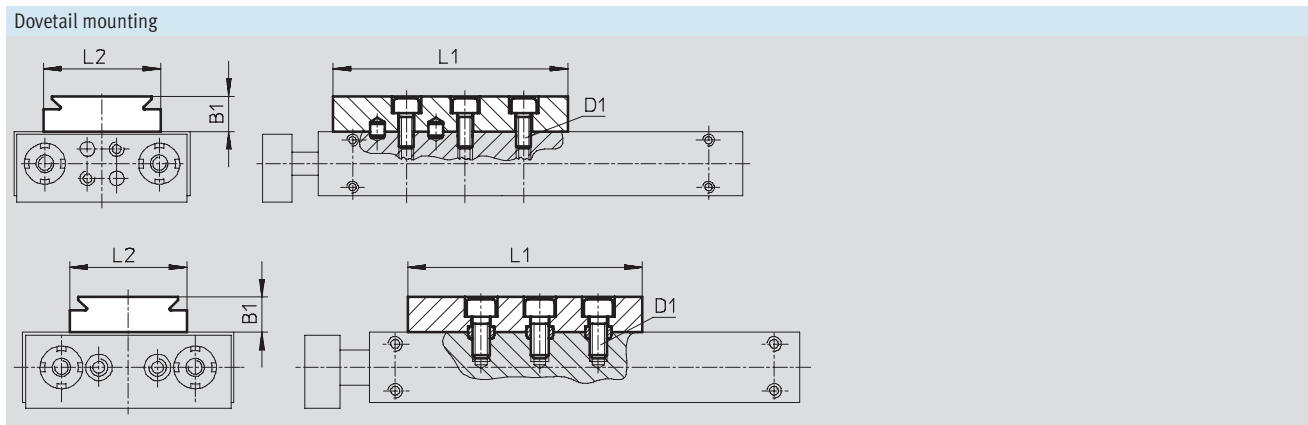
Technical data



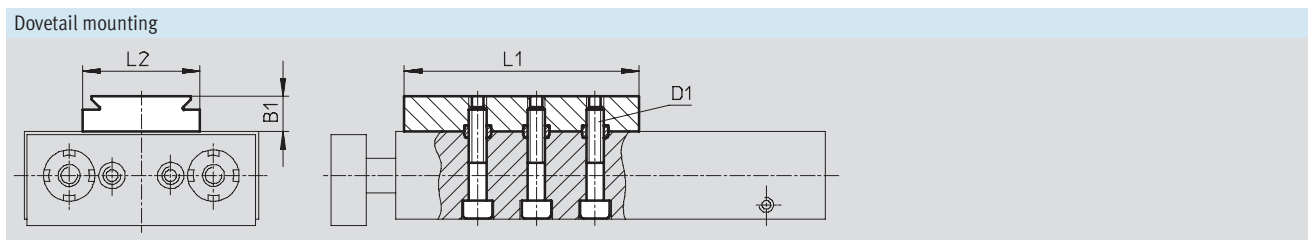
Dimensions Download CAD data → www.festo.com/en/engineering



Type	B1	D1	L1	L2	CRC ¹⁾
HAPB-15	12	M5	80	40	2
HAPB-16		M6			2



Type	B1	D1	L1	L2	CRC ¹⁾
HAPB-17	12	M5	80	40	2
HAPB-18		M6			2



Type	B1	D1	L1	L2	CRC ¹⁾
HAPB-19	12	M6	80	40	2
HAPB-20					2

1) Corrosion resistance class 2 to Festo standard 940 070
 Components subject to moderate corrosion stress. Externally visible parts with primarily decorative surface requirements which are in direct contact with a normal industrial environment or media such as coolants or lubricating agents

Drive/drive connectors

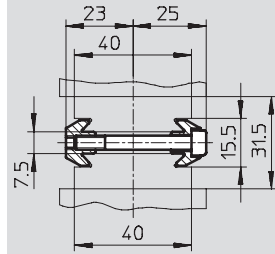
Technical data



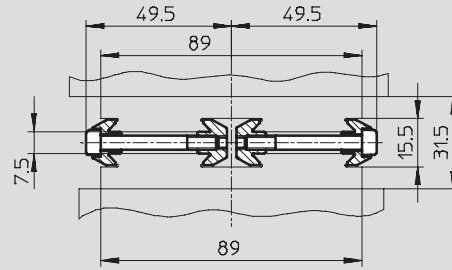
Dimensions Download CAD data → www.festo.com/en/engineering

Dovetail mounting

Assembly of two adapter kits with one connecting kit



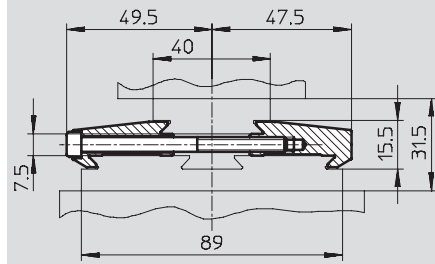
Assembly of two adapter kits with two connecting kits



Type	Length L1 ¹⁾	CRC ²⁾
	[mm]	
HAVB-2	40	2
HAVB-3	60	2
HAVB-4	80	2
HAVB-5	100	2

Dovetail mounting

Assembly of two adapter kits with one connecting kit



Type	Length L1 ¹⁾	CRC ²⁾
	[mm]	
HAVB-7	60	2
HAVB-8	80	2
HAVB-9	100	2

1) Length of the connecting kit: compare with length L1 of the adapter kits HAPB
 2) Corrosion resistance class 2 to Festo standard 940 070
 Components subject to moderate corrosion stress. Externally visible parts with primarily decorative surface requirements which are in direct contact with a normal industrial environment or media such as coolants or lubricating agents

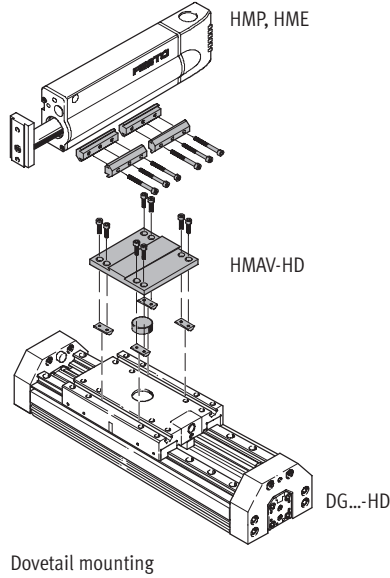
System components
Adapters
3.2

DG...-HD/HMP, HME combination

Technical data

Adapter kit HMAV-HD

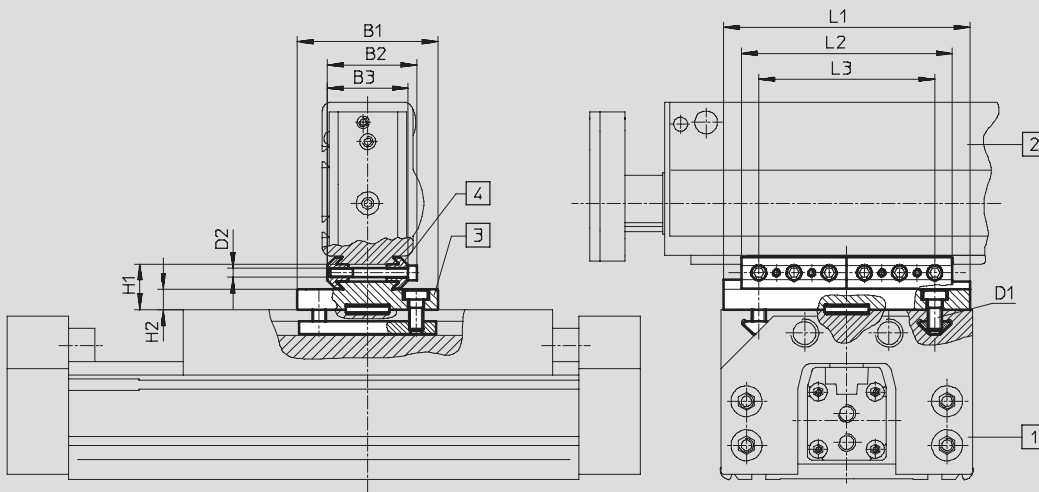
Material:
Wrought aluminium alloy, anodised
Centring sleeves: High-alloy steel
Slot nuts: Tempered steel
Free of copper, PTFE and silicone



Dimensions and ordering data

Download CAD data → www.festo.com/en/engineering

Dovetail mounting



- 1) Linear drives DG... with heavy duty guide HD
 - 2) Linear module HMP, HME²⁾
 - 3) Adapter plate
 - 4) Dovetail clamp
- Adapter kit HMAV-HD, comprising:

Drive	Drive	B1	B2	B3	D1	D2	H1	H2	L1	L2	L3	CRC ¹⁾	Part No.	Type	
DG...-HD-18	HMP-16/20/25 HME-16/25 ²⁾	90			M5		23	8.5	110		80		176 002	HMAV-HD18	
DG...-HD-25	HMP-20/25/32 HME-25 ²⁾	80	51	46	M8	M5	26	11.5	140	120	100	2		176 003	HMAV-HD25
DG...-HD-40	HMP-20/25/32 HME-25 ²⁾								180		140			176 004	HMAV-HD40

1) Corrosion resistance class 2 to Festo standard 940 070
Components subject to moderate corrosion stress. Externally visible parts with primarily decorative surface requirements which are in direct contact with a normal industrial environment or media such as coolants or lubricating agents

2) HME: Horizontal mounting position, vertical on request

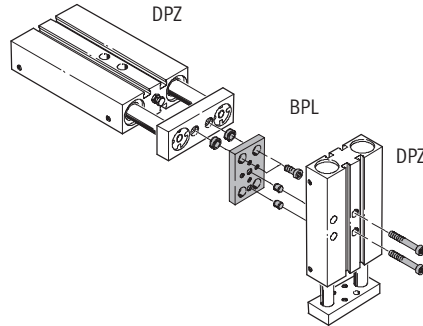
DPZ, SPZ/DPZ, SPZ combination

Technical data



Adapter plate BPL

Material:
Wrought aluminium alloy, anodised
Centring sleeves: High-alloy steel
Free of copper, PTFE and silicone



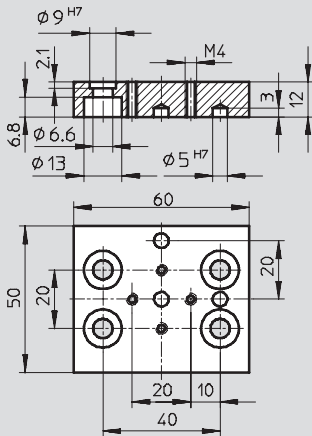
Direct mounting

Dimensions and ordering data

Download CAD data → www.festo.com/en/engineering

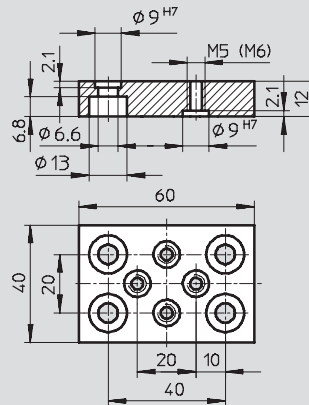
Direct mounting

BPL-1



BPL-2

BPL-3 (dimensions in brackets)



Drive	Drive	CRC ¹⁾	Part No.	Type
DPZ/SPZ-20/25/32	DPZ/SPZ-10/16	2	150 929	BPL-1
DPZ/SPZ-20/25/32	DPZ/SPZ-20		150 930	BPL-2
DPZ/SPZ-25/32	DPZ/SPZ-25		150 931	BPL-3
DPZ/SPZ-32	DPZ/SPZ-32			

1) Corrosion resistance class 2 to Festo standard 940 070
Components subject to moderate corrosion stress. Externally visible parts with primarily decorative surface requirements which are in direct contact with a normal industrial environment or media such as coolants or lubricating agents