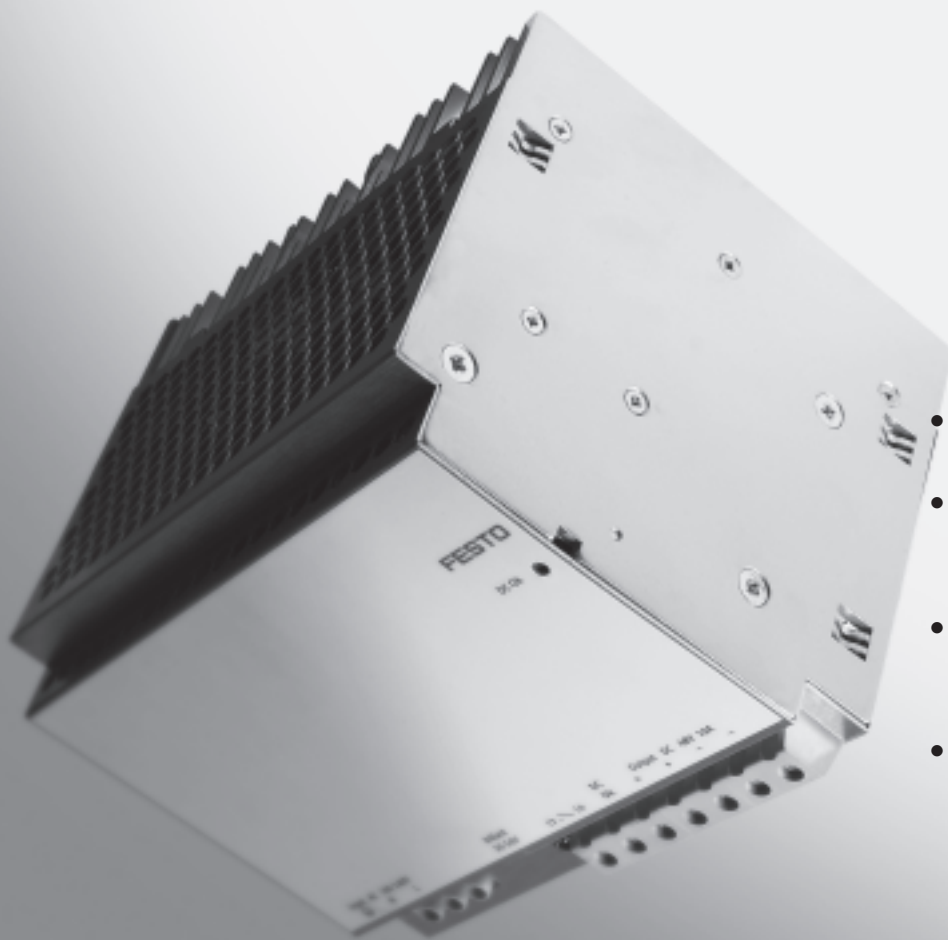


Power supply units SVG

FESTO



- Power units for universal use
- Power unit specially for AS-interface systems
- Nominal output voltage 24 or 48 V DC
- Nominal output current from 5 ... 20 A

Power supply units SVG

Technical data

FESTO

L Voltage
24 or 48 V DC



General technical data							
Nominal output voltage	[V DC]	24			48		
Nominal output current	[A]	5 ¹⁾	5	10	5	10	20
Mechanical							
Type of mounting		Via H-rail					
Installation position		Free convection					
Product weight	[g]	900	830	1,300	1,240	2,800	3,500
Electrical							
Input voltage range	[V AC]	100 ... 240			400 ... 500		
Mains voltage frequency	[Hz]	45 ... 65			45 ... 65		
Input current	[A]	2.1 ... 1.0	1.9 ... 0.8	2.8 ... 1.2	2.2 ... 1.2	5.1 ... 2.3	2.3 ... 1.9
Power failure buffering	[ms]	20		50		50	
Primary supply		Single-phase			Three-phase		

1) For AS-interface systems

Operating and environmental conditions	
Ambient temperature	[°C] -25 ... +70
Storage temperature	[°C] -40 ... +85
Protection class	IP20
Relative air humidity	[%] 95
CE symbol (see declaration of conformity)	In accordance with EU EMC Directive
	In accordance with EU Low Voltage Directive
Certification	c UL us - Listed (OL)

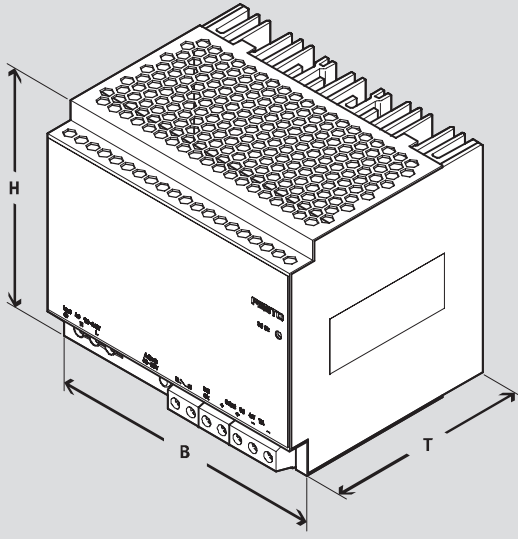
Power supply units SVG

Technical data

FESTO

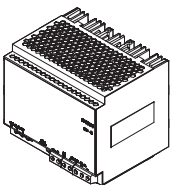
Dimensions

Download CAD data → www.festo.com/en/engineering



Type	H	W	D
SVG-1/230VAC-ASI-5A	130	70	125
SVG-1/230VAC-24VDC-5A	130	55	125
SVG-1/230VAC-24VDC-10A	130	85	125
SVG-1/230VAC-48VDC-5A	130	85	125
SVG-1/230VAC-48VDC-10A	130	157	125
SVG-3/400VAC-48VDC-20A	130	240	125

Ordering data

	Application	Nominal output voltage [V DC]	Nominal output current [A]	Part No.	Type
	For AS-interface systems	24	5	547 869	SVG-1/230VAC-ASI-5A
	For universal use	24	5	547 867	SVG-1/230VAC-24VDC-5A
			10	547 868	SVG-1/230VAC-24VDC-10A
		48	5	542 403	SVG-1/230VAC-48VDC-5A
			10	542 404	SVG-1/230VAC-48VDC-10A
			20	542 405	SVG-3/400VAC-48VDC-20A

