



Signal converters SVE4

Product overview



- Signal input range 0 ... 10 V, 0 ... 20 mA or for position sensors SMH-S1-HG
- Switch output 2x PNP or 2x NPN
- Switching function freely programmable
- Mounting direct, on DIN H-rail or with adapter plate

Detailed product information
 → www.festo.com/catalogue/sve4

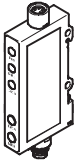
Type codes		SVE4	-	US	-	R	-	H	M8	-	2P	-	M8
Type													
SVE4	Signal converter												
Signal input range													
US	0 ... 10 V												
IS	0 ... 20 mA												
HS	Adapted for position sensors SMH-S1-HG												
Display and operation													
R	Switching status display via LED, teach-in buttons												
Mounting													
H	DIN H-rail mounting												
Electrical connection (signal input)													
M8	Socket M8x1, 4-pin												
Switch output													
2P	2x PNP												
2N	2x NPN												
Electrical connection (switch output)													
M8	Plug, M8x1, 4-pin												

Signal converters SVE4

Technical data

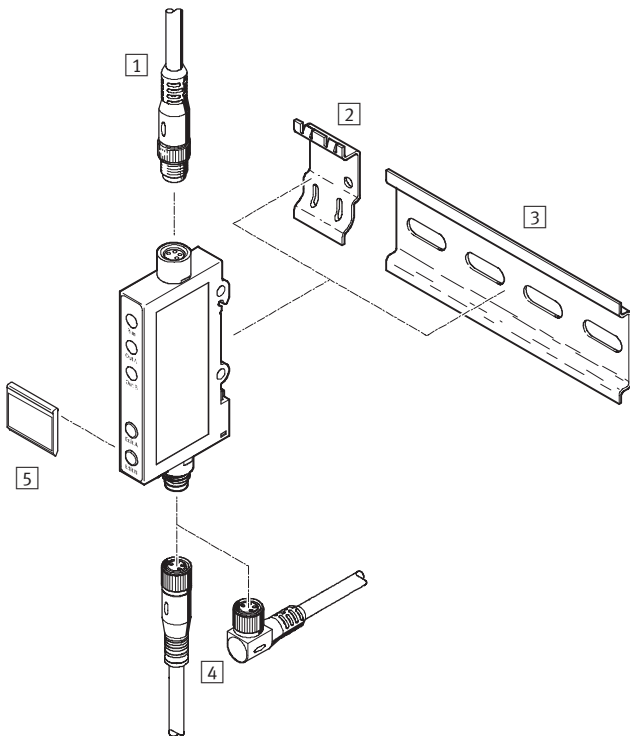
FESTO

Technical data			
Type	SVE4-US	SVE4-IS	SVE4-HS
Electrical data			
Signal input range	0 ... 10 ± 0.3 V	0 ... 20 ± 0.6 mA	Adapted for position sensors SMH-S1-HG
Switch output	2x PNP 2x NPN		
Switching element function	Switchable		
Switching function	Freely programmable		
Setting options	Teach-in		
Operating voltage range [V DC]	10 ... 30		
Electrical connection	Input	Socket M8x1, 4-pin, to EN 60947-5-2	
	Output	Plug M8x1, 4-pin, to EN 60947-5-2	
Protection against short circuit	Pulsed		
Protection against polarity reversal	Yes		
Operating and environmental conditions			
Ambient temperature [°C]	-20 ... 70		
CE mark (see declaration of conformity)	In accordance with EU EMC directive		
Certification	C-Tick		
Protection class	IP65		
Materials			
Housing	Acrylic butadiene styrene		


Ordering data					
Variant	Signal input range	Switch output PNP		Switch output NPN	
		Part No.	Type	Part No.	Type
	0 ... 10 ± 0.3 V	544 217	SVE4-US-R-HM8-2P-M8	544 220	SVE4-US-R-HM8-2N-M8
	0 ... 20 ± 0.6 mA	544 218	SVE4-IS-R-HM8-2P-M8	544 221	SVE4-IS-R-HM8-2N-M8
	Adapted for position sensors SMH-S1-HG	544 216	SVE4-HS-R-HM8-2P-M8	544 219	SVE4-HS-R-HM8-2N-M8



Signal converters SVE4

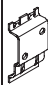
Peripherals overview



Accessories	
1	Connecting cable for signal input
2	Adapter plate SXE3-W
3	Mounting rail to DIN EN 60715
4	Connecting cable for switch output
5	Inscription label holder SXE3 (included in scope of delivery)

Ordering data – Connecting cables for signal input			Technical data → 177	
	Number of wires	Cable length [m]	Part No.	Type
M8x1, straight socket				
	4	2	175 714	KSMH-1-M8-2-M8
		0.1 ... 25	Configurator for easy selection of application-specific connecting cables → 174	

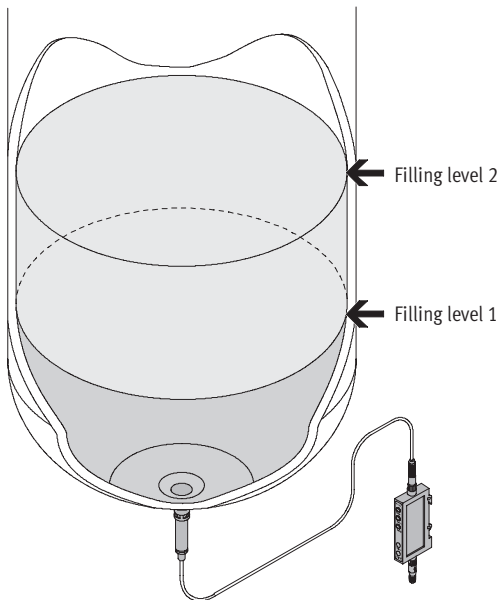
Ordering data – Connecting cables for switch output			Technical data → 169	
	Number of wires	Cable length [m]	Part No.	Type
M8x1, straight socket				
	4	2.5	541 342	NEBU-M8G4-K-2.5-LE4
		5	541 343	NEBU-M8G4-K-5-LE4
M8x1, angled socket				
	4	2.5	541 344	NEBU-M8W4-K-2.5-LE4
		5	541 345	NEBU-M8W4-K-5-LE4

Ordering data – Adapter plate	
	Part No. Type
	540 214 SXE3-W

Signal converters SVE4

Application examples

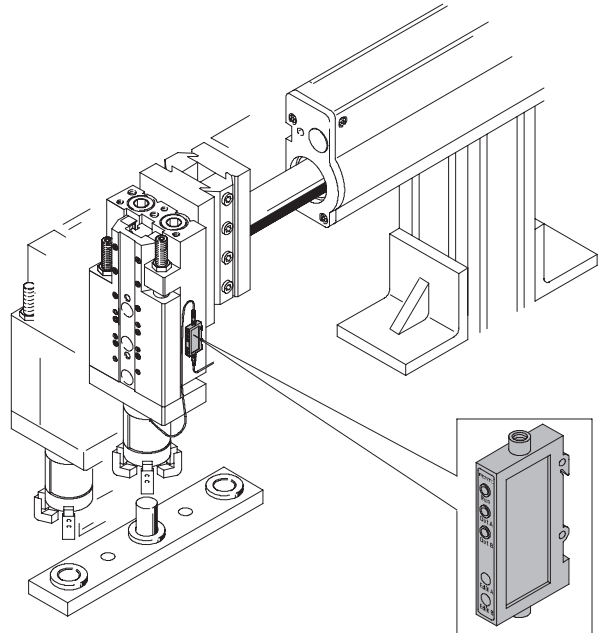
Pump control with SVE4 and pressure transmitter SDET



- A pump control system can easily be realised on a storage tank in combination with the pressure transmitter SDET, which measures the pressure of the liquid column.

The filling levels 1 (= pump on) and 2 (= pump off) are simply taught at the touch of a button.

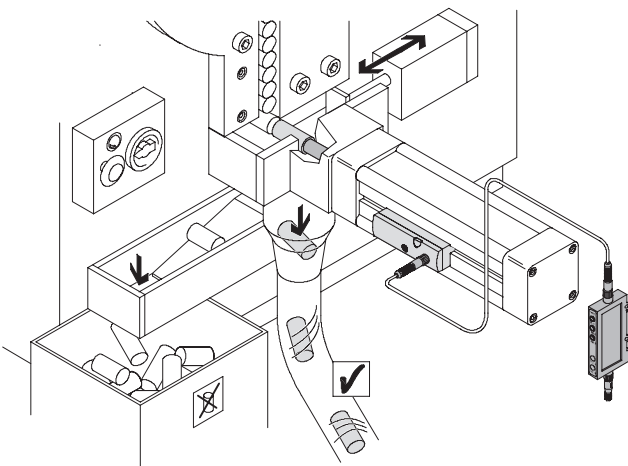
Detection of parts with SVE4 and position sensor SMH-S1



- A part detection system can easily be realised in combination with the position sensor SMH-S1, which senses the position of the jaws on a

gripper. The three statuses "Gripper open", "Part gripped" and "Part not gripped" can be taught at the touch of a button, using just two outputs.

Quality inspection with SVE4 and position transmitter SMAT-8E



- A quality inspection system can easily be realised in combination with the position transmitter SMAT-8E, which senses the position of a feed cylinder in a rivet sorting machine, where the rivet is pressed

against a stop. The upper and lower deviation can simply be taught at the touch of a button. Parts that do not lie within the tolerance range are rejected.