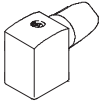

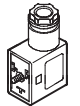
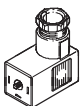
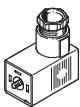


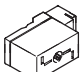




# Plug sockets

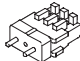


Product range overview



Design	Type	For solenoid coil (valves with solenoid coil)											→ Page
		D	E	EB	F	N1	N2	V	Y	Z	ZB	ZC	
	MSSD-F MSSD-F-M16 MSSD-F-S-M16	-	-	-	■	-	-	-	-	-	-	-	2 / 7.2-11
	MSSD-C MSSD-C-M16 MSSD-C-S-M16	■	-	-	-	■	-	-	-	-	-	2 / 7.2-12	
	MSSD-V MSSD-V-M16	-	-	-	-	-	-	■	-	-	-	2 / 7.2-14	
	MSSD-E MSSD-E-M12	-	■	-	-	-	-	-	-	-	-	2 / 7.2-15	
	MSSD-EB MSSD-EB-M12 MSSD-EB-S-M14	-	-	■	-	-	■	-	-	-	-	2 / 7.2-16	
	MSSD-MY 	-	-	-	-	-	-	-	■	■	-	2 / 7.2-17	
	MSSD-ZBZC	-	-	-	-	-	-	-	-	-	■	■	2 / 7.2-18

 To be discontinued

 Note  
Allocation of solenoid coils to valve types → 2 / 7.1-1

Design	Type	For miniature valves	For proportional valves	For valves with central plug		→ Page
		MHA1...-PI/ MHP1...-PI	MPPE/MPPES	ISO 15 407-1	ISO 5599-1	
	PCBC	■	-	-	-	2 / 7.2-19
	MPPE-3-B	-	■	-	-	2 / 7.2-20
	SEA-M12-4WD-PG7	-	-	■	■	2 / 7.2-23

# Plug sockets MSSD-F

Technical data

- Temperature range  
-20 ... +115 °C  
-25 ... +90 °C

- For valves with F solenoid coils
- Cable connection using clamping screws or insulation displacement technology



General technical data			
Type	MSSD-F	MSSD-F-M16	MSSD-F-S-M16
Cable connection	Clamping screws	Clamping screws	Insulation displacement technology
Perm. cable diameter [mm]	6 ... 8	6 ... 8	5.5 ... 8
Wire cross section [mm <sup>2</sup> ]	Max. 1.5	Max. 1.5	0.5 ... 1
Number of pins	3	3	3
Cable conduit fitting	Pg9	M16x1.5	-
Type of mounting	M3 central screw	M3 central screw	M3 central screw
Connection frequency	-	-	10
Protection class to EN 60529	IP65 (assembled)	IP65 (assembled)	IP67 (assembled)
Mounting position	Any	Any	Any
Ambient temperature [°C]	-25 ... +90	-20 ... +115	-25 ... +90
Product weight [g]	17	17	35
Materials	Polymer	Polymer	Polymer

## Dimensions

Download CAD data → [www.festo.com/en/engineering](http://www.festo.com/en/engineering)

**MSSD-F**

1 Insert can be repositioned by 180°

**MSSD-F-M16**

1 Insert can be repositioned by 180°

## MSSD-F-S-M16

2 Locknut M16x1  
3 Connection side can be repositioned by 90°

With these plug sockets, instead of the cable being connected using individual clamping screws, the stranded wires are pressed into the patented insulation displacement contact when the screw is tightened.


- Strip the cable sheath
- Push it in
- Screw it in tightly
- And you're done!

Ordering data			
Part No.	Type	Cable connection	Part No. Type Cable connection
34 431	MSSD-F	Clamping screws	192 746 MSSD-F-S-M16
539 710	MSSD-F-M16		Insulation displacement technology

## Plug sockets MSSD-C

Technical data

FESTO

-  - Temperature range  
-25 ... +90 °C  
-20 ... +115 °C

- For valves with D and N1 solenoid coils
- Cable connection using clamping screws or insulation displacement technology



General technical data			
Type	MSSD-C	MSSD-C-M16	MSSD-C-S-M16
Cable connection	Clamping screws	Clamping screws	Insulation displacement technology
Perm. cable diameter [mm]	6 ... 8	6 ... 8	5.5 ... 8
Wire cross section [mm <sup>2</sup> ]	Max. 1.5	Max. 1.5	0.5 ... 1
Number of pins	3	3	3
Cable conduit fitting	Pg9	M16	M16
Type of mounting	M3 central screw	M3 central screw	M3 central screw
Connection frequency	–	50	10
Protection class to EN 60 529	IP65 (assembled)	IP65 (assembled)	IP67 (assembled)
Mounting position	Any	Any	Any
Product weight [g]	22		38
Materials	Polymer	Polyamide, reinforced	Polyamide
Note on materials	RoHS-compliant	–	–

Operating and environmental conditions			
Type	MSSD-C	MSSD-C-M16	MSSD-C-S-M16
Ambient temperature [°C]	–25 ... +90	–20 ... +115	–25 ... +90
CE-marking (see declaration of conformity)	in accordance with EU low-voltage directive	–	–
Certification	Germanischer Lloyd	–	–

# Plug sockets MSSD-C

Technical data

Download CAD data → [www.festo.com/en/engineering](http://www.festo.com/en/engineering)

**Dimensions**  
MSSD-C

1 Insert can be repositioned by 90°

MSSD-C-M16

1 Insert can be repositioned by 90°

**MSSD-C-S-M16**

With these plug sockets, instead of the cable being connected using individual clamping screws, the stranded wires are pressed into the patented insulation displacement contact when the screw is tightened.

- Strip the cable sheath
- Push it in
- Screw it in tightly
- And you're done!

2 Locknut M16x1  
3 Connection side can be repositioned by 90°

Clamping screws		Insulation displacement technology	
Part No.	Type	Part No.	Type
34 583	MSSD-C	192 748	MSSD-C-S-M16
539 709	MSSD-C-M16		

# Plug sockets MSSD-V

Technical data



- - Temperature range  
-25 ... +90 °C  
-20 ... +115 °C

- For valves with V solenoid coils



General technical data		
Type	MSSD-V	MSSD-V-M16
Perm. cable diameter [mm]	6 ... 8	6 ... 8
Wire cross section [mm <sup>2</sup> ]	Max. 1.5	Max. 1.5
Number of pins	3	3
Cable conduit fitting	Pg9	M16x1.5
Type of mounting	M3 central screw	M3 central screw
Protection class to EN 60529	IP65 (assembled)	IP65 (assembled)
Mounting position	Any	Any
Ambient temperature [°C]	-25 ... +90	-20 ... +115
Product weight [g]	18	35
Materials	Polymer	Polymer

### Dimensions

MSSD-V

1 Insert can be repositioned by 180°

Download CAD data → [www.festo.com/en/engineering](http://www.festo.com/en/engineering)

### MSSD-V-M16


1 Insert can be repositioned by 180°

Ordering data			
	Description	Part No.	Type
	Plug socket for valves with V solenoid coils	33 295	MSSD-V
		539 713	MSSD-V-M16

# Plug sockets MSSD-E

Technical data



-  - Temperature range  
-25 ... +120°C

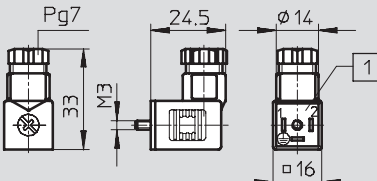
• For valves with E solenoid coils



General technical data		
Type	MSSD-E	MSSD-E-M12
Perm. cable diameter [mm]	6 ... 8	4 ... 8
Wire cross section [mm <sup>2</sup> ]	Max. 0.75	Max. 0.75
Number of pins	3	3
Cable conduit fitting	Pg7	M12x1.5
Type of mounting	M3 central screw	M3 central screw
Protection class to EN 60529	IP65 (assembled)	IP65 (assembled)
Mounting position	Any	Any
Ambient temperature [°C]	-25 ... +120	-20 ... +115
Product weight [g]	8	11
Materials	Polymer	Polymer

### Dimensions

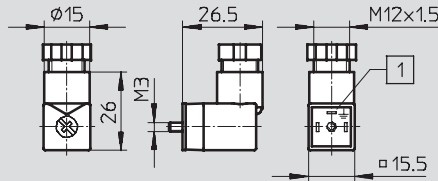
#### MSSD-E



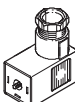
1 Insert can be repositioned by 90°

Download CAD data → [www.festo.com/en/engineering](http://www.festo.com/en/engineering)

#### MSSD-E-M12



1 Insert can be repositioned by 90°

Ordering data			
	Description	Part No.	Type
	Plug socket for valves with E solenoid coils	14 098	MSSD-E
		539 711	MSSD-E-M12

# Plug sockets MSSD-EB

Technical data



- Temperature range  
-45 ... +90°C  
-40 ... +120°C

- For valves with EB and N2 solenoid coils



General technical data			
Type	MSSD-EB	MSSD-EB-M12	MSSD-EB-S-M14
Cable connection	Clamping screws	Clamping screws	Insulation displacement technology
Perm. cable diameter [mm]	6 ... 8	6 ... 8	4 ... 6
Wire cross section [mm <sup>2</sup> ]	Max. 0.75	Max. 0.75	0.25 ... 0.5
Number of pins	3	3	3
Cable conduit fitting	Pg7	M12x1.5	-
Type of mounting	M2.5 central screw	M2.5 central screw	M2.5 central screw
Connection frequency	-	-	10
Protection class to EN 60529	IP65 (assembled)	IP65 (assembled)	IP67 (assembled)
Mounting position	Any	Any	Any
Ambient temperature [°C]	-45 ... +90	-40 ... +125	-25 ... +90
Product weight [g]	11	11	17
Materials	Polymer	Polymer	Polymer

**Dimensions** Download CAD data → [www.festo.com/en/engineering](http://www.festo.com/en/engineering)

**MSSD-EB**

1 Insert can be repositioned by 90°

**MSSD-EB-M12**

1 Insert can be repositioned by 90°

**MSSD-EB-S-M14**

1 Locknut M14x1  
3 Connection side can be repositioned by 90°

With these plug sockets, instead of the cable being connected using individual clamping screws, the stranded wires are pressed into the patented insulation displacement contact when the screw is tightened.

- Strip the cable sheath
- Push it in
- Screw it in tightly
- And you're done!

Ordering data			
Part No.	Type	Cable connection	Part No. Type Cable connection
151 687	MSSD-EB	Clamping screws	192 745 MSSD-EB-S-M14
539 712	MSSD-EB-M12		Insulation displacement technology

**Do not use for new designs!**  
 -  - Type to be discontinued

## Plug sockets MSSD-MY

Technical data

**FESTO**

-  - Temperature range  
 -25 ... +80°C

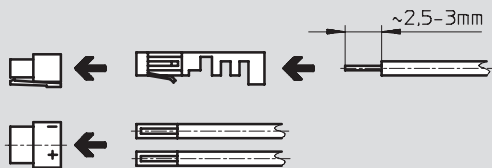
• For valves with Y and Z solenoid coils





General technical data		
Perm. cable diameter	[mm]	6 ... 8
Wire cross section	[mm <sup>2</sup> ]	Max. 0.3
Number of pins		2
Type of mounting		Clip
Protection class to EN 60 529		IP00
Mounting position		Any
Ambient temperature	[°C]	-25 ... +80
Product weight	[g]	2
Materials		Polymer

### Assembly instructions for MSSD-MY and MSSD-MY-C

Download CAD data → [www.festo.com/en/engineering](http://www.festo.com/en/engineering)



Ordering data			
	Description	Part No.	Type
	Plug socket for valves with Y and Z solenoid coils	<b>34 345</b>	<b>MSSD-MY</b>
	Crimp connectors for plug socket MSSD-MY	<b>34 346</b>	<b>MSSD-MY-C</b>



# Plug sockets MSSD-ZBZC

Technical data



- - Temperature range  
-10 ... +50°C

• For valves with ZB and ZC solenoid coils



General technical data		
Wire cross section	[mm <sup>2</sup> ]	0.22 ... 0.34
Number of pins		2
Type of mounting		Self-tapping central screw
Protection class to EN 60 529		IP40 (assembled)
Mounting position		Any
Ambient temperature	[°C]	-10 ... +50
Product weight	[g]	11
Material		Polyamide

Valve accessories  
Plug sockets

7.2

**Dimensions** Download CAD data → [www.festo.com/en/engineering](http://www.festo.com/en/engineering)


- 1 Mounting screw
- 2 Inscription label
- 4 Connection pattern for ZB solenoid coil
- 5 Connection pattern for ZC solenoid coil

Ordering data			
	Description	Part No.	Type
	Plug socket for valves with ZB and ZC solenoid coils	<b>185 521</b>	<b>MSSD-ZBZC</b>

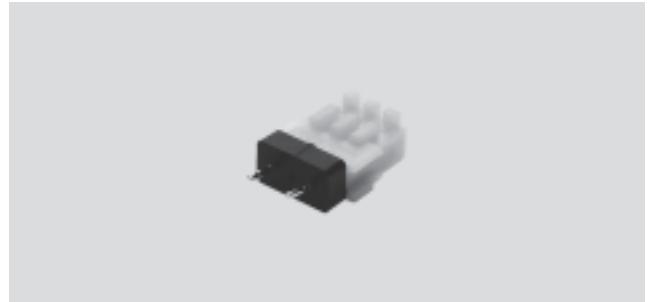
# Soldering base PCBC

Technical data



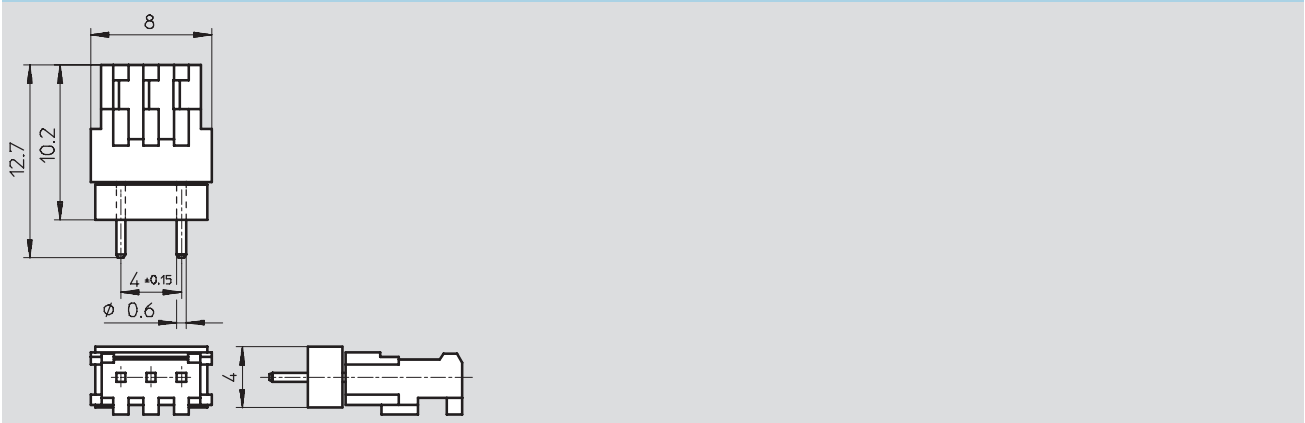
-  - Temperature range  
-40 ... +115°C

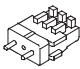
- For mounting miniature valves MHA1 and MHP1 on a PCB with plug connection underneath (-PI)



General technical data	
Number of pins	2
Type of mounting	Soldering base
Protection class to EN 60 529	IP40 (assembled)
Mounting position	Any
Ambient temperature [°C]	-40 ... +115
Product weight [g]	5
Materials	Polyamide

## Dimensions Download CAD data → [www.festo.com/en/engineering](http://www.festo.com/en/engineering)



Ordering data				
	Description	Part No.	Type	PU <sup>1)</sup>
	Soldering base	197 261	PCBC-A-10	10
		197 262	PCBC-A-100	100

1) Packaging unit quantity

# Plug sockets MPPE-3-B

Technical data



- - Temperature range  
-40 ... +85°C

- For proportional pressure regulators MPPE and MPPES

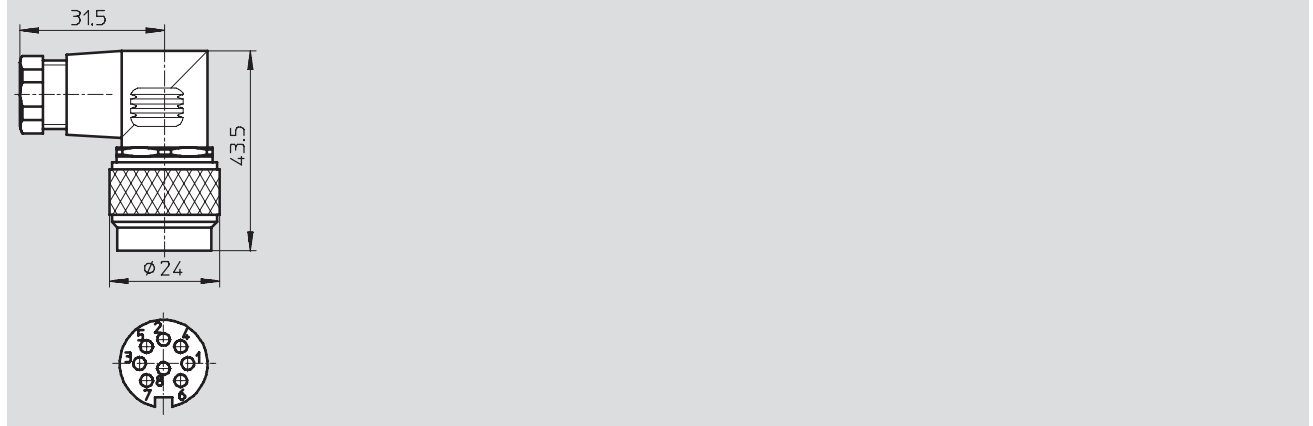


General technical data		
Wire cross section	[mm <sup>2</sup> ]	Max. 0.75
Number of pins		8
Type of mounting		Knurled locknut M16x0.75
Mounting position		Any
Ambient temperature	[°C]	-40 ... +85
Product weight	[g]	42

Valve accessories  
Plug sockets

## 7.2

### Dimensions Download CAD data → [www.festo.com/en/engineering](http://www.festo.com/en/engineering)



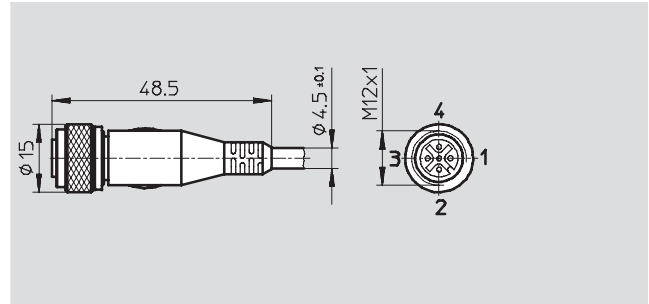
Ordering data			
	Description	Part No.	Type
	Plug socket for proportional pressure regulators MPPE and MPPES	<b>161 839</b>	<b>MPPE-3-B</b>

# Plug sockets with cable SIM

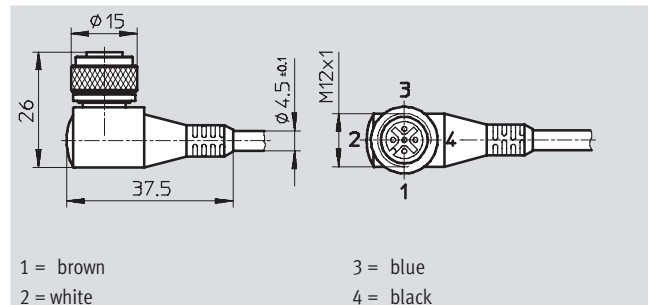
Technical data – M12x1, 4-pin



## SIM-M12-4GD-5-PU



## SIM-M12-4WD-5-PU



General technical data			
		SIM-M12-4...-5-PU	
Electrical data			
Electrical connection		Straight or angled socket, M12x1, 4-pin	
Current-carrying capacity	[A]	2.8	
Operating voltage range	AC [V]	≤45	
	DC [V]	≤70	
Protection class to EN 60 529		IP65/IP67	
Design			
Cable length	[m]	5	
Cable composition	[mm <sup>2</sup> ]	4x 0.25	
Wire ends		Tin-coated	
Ambient temperature			
Fixed cable installation	[°C]	-40 ... +70	
Flexible cable installation	[°C]	-5 ... +70	
Materials			
Cable sheath		Polyurethane	

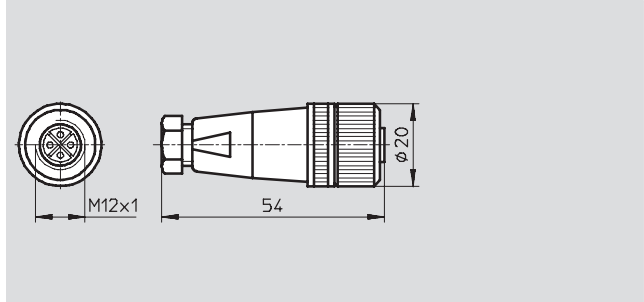
Ordering data					
		Part No.	Type	Part No.	Type
Connection direction		In-line		Lateral	
Cable length [m]	5	164 259	SIM-M12-4GD-5-PU	164 258	SIM-M12-4WD-5-PU

# Plug sockets SIE

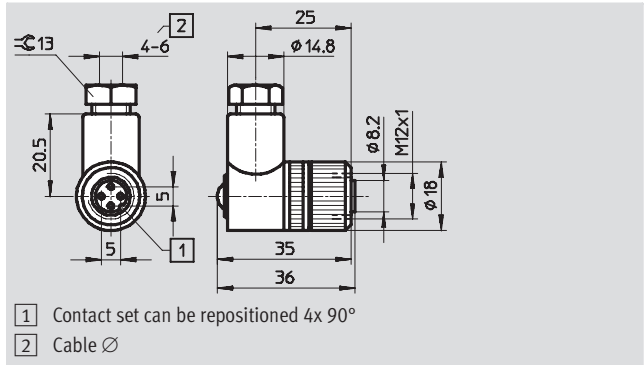
Technical data



## Straightsocket SIE-GD



## Angled plug socket SIE-WD-TR



General technical data		
Connection direction	In-line	Lateral
Electrical data		
Electrical connection	Straight socket, M12x1, 4-pin	Angled socket, M12x1, 4-pin
Operating voltage range	AC [V]	≤125
	DC [V]	≤150
Current-carrying capacity	[A]	3
Cable connection	Screw terminal	
Perm. cable diameter	[mm]	4 ... 6
Max. wire cross section	[mm <sup>2</sup> ]	0.75
Ready status display	-	LED green (accessory)
Protection class to EN 60 529	IP67 (assembled)	
Ambient temperature	[°C]	-40 ... +85
Materials		
Housing	Polyamide	

Ordering data				
	Part No.	Type	Part No.	Type
Connection direction	In-line		Lateral	
Plug socket	18 494	SIE-GD	12 956	SIE-WD-TR
Ready status display	-		12 957	SIE-LP-LED-GR

# Plug sockets SEA-M12-WD

Technical data

FESTO

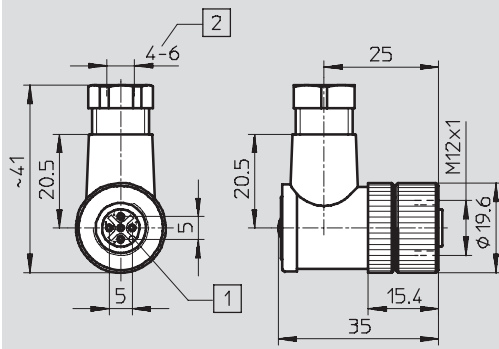
Temperature range  
-40 ... +85°C

- For valves to ISO 15 407-1 (VDMA 24 563) and ISO 5599-1 with central plug M12x1



General technical data		
Perm. cable diameter	[mm]	4 ... 6
Wire cross section	[mm <sup>2</sup> ]	Max. 0.75
Number of pins		4
Cable conduit fitting		Pg7
Type of mounting		Knurled locknut M12x1
Protection class to EN 60 529		IP67 (assembled)
Mounting position		Any
Ambient temperature	[°C]	-40 ... +85
Product weight	[g]	30
Material	Housing	Polybutylene terephthalate
	Contacts	Tin-coated bronze

## Dimensions Download CAD data → [www.festo.com/en/engineering](http://www.festo.com/en/engineering)



- 1 Contact set can be repositioned by 4x90°
- 2 Perm. cable diameter

Ordering data			
	Description	Part No.	Type
	Plug socket for valves to ISO 15 407-1 (VDMA 24 563) and ISO 5599-1 with central plug M12x1	185 498	SEA-M12-4WD-PG7