

Plug sockets with cable

Product range overview



Valve accessories
Cables with sockets

7.3

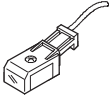

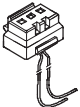


Design	Type	For solenoid coil (valves with solenoid coil)											→ Page	
		D	E	EB	F	N1	N2	V	Y	Z	ZB	ZC		
	KMF	-	-	-	■	-	-	-	-	-	-	-	-	2 / 7.3-26
	KMC	■	-	-	-	■	-	-	-	-	-	-	-	2 / 7.3-27
	KMV	-	-	-	-	-	-	■	-	-	-	-	-	2 / 7.3-28
	KME	-	■	-	-	-	-	-	-	-	-	-	-	2 / 7.3-29
	KMEB	-	-	■	-	-	■	-	-	-	-	-	-	2 / 7.3-30
	KMY-1 KMYZ-1	-	-	-	-	-	-	-	■	■	-	-	-	2 / 7.3-32
	KMYZ-2	-	-	-	-	-	-	-	-	-	■	-	-	2 / 7.3-33
	KMYZ-3	-	-	-	-	-	-	-	-	-	-	■	-	2 / 7.3-34
	KMYZ-4	-	-	-	-	-	-	-	-	-	■	■	-	2 / 7.3-35
	KMYZ-4+...-B	-	-	-	-	-	-	-	-	-	-	■	-	2 / 7.3-35
	KMYZ-6	-	-	-	-	-	-	-	-	-	■	-	-	2 / 7.3-36
	KMYZ-9	-	-	-	-	-	-	-	-	-	-	■	-	2 / 7.3-37

To be discontinued

Note
Allocation of solenoid coils to valve types → 2 / 7.1-1

Plug sockets with cable

Product range overview

Design	Type	For miniature valves	For fast-switching valves	For proportional valves	For valves with central plug M12x1		→ Page
		MHA1...-PI/ MHP1...-PI	MH2/MH3	MPPE/MPPES	ISO 15 407-1	ISO 5599-1	
	KMYZ-3	-	■	-	-	-	2 / 7.3-34
	KMYZ-4-...-B	-	■	-	-	-	2 / 7.3-35
	KMH	■	-	-	-	-	2 / 7.3-38
	KMPPE-B	-	-	■	-	-	2 / 7.3-39
	KM12-M12-GSWD-1-4	-	-	-	■	■	2 / 7.3-40

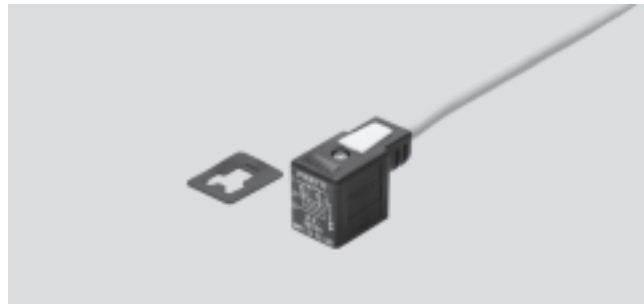
Plug sockets with cable KMF

Technical data



Temperature range
-20 ... +80°C

• For valves with F solenoid coils



General technical data						
Operating voltage		24 V DC			0 ... 240 V DC/AC	
Cable length	[m]	2.5	5	10	2.5	5
Wire cross section	[mm ²]	3x0.75				
Number of pins		3				
Switching status display		LED			-	
Type of mounting		M3 central screw				
Protection class to EN 60 529		IP67 (assembled)				
Mounting position		Any				
CE symbol		-			73/23/EEC (low voltage)	
Ambient temperature	[°C]	-20 ... +80				
Product weight	[g]	170	320	460	170	320
Material	Housing	Polymer				
	Cable sheath	Polyvinyl chloride				

Valve accessories
Cables with sockets

7.3

Dimensions Download CAD data → www.festo.com/en/engineering

- 1 LED illuminated area
- 2 Location for inscription label
- 3 3-wire cable
- 4 Connection pattern for F solenoid coil

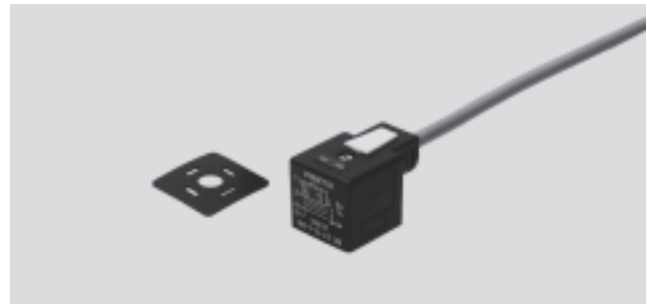
Ordering data						
	Description	Operating voltage	Switching status display with LED	Cable length [m]	Part No.	Type
	Plug socket with cable for valves with F solenoid coils	24 V DC	■	2.5	30 935	KMF-1-24DC-2,5-LED
				5	30 937	KMF-1-24DC-5-LED
				10	193 458	KMF-1-24-10-LED
		0 ... 240 V DC/AC	-	2.5	30 936	KMF-1-230AC-2,5
				5	30 938	KMF-1-230AC-5

Plug sockets with cable KMC

Technical data

Temperature range
-20 ... +80°C

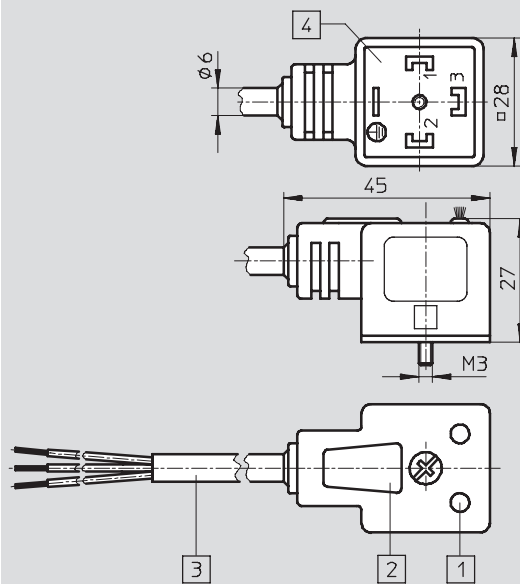
For valves with D and N1 solenoid coils



General technical data						
Operating voltage	24 V DC			0 ... 240 V DC/AC		
Cable length	[m]	2.5	5	10	2.5	5
Wire cross section	[mm ²]	3x0.75				
Number of pins	3					
Switching status display	LED					-
Type of mounting	M3 central screw					
Protection class to EN 60 529	IP67 (assembled)					
Mounting position	Any					
CE symbol	-					73/23/EEC (low voltage)
Ambient temperature	[°C]	-20 ... +80				
Product weight	[g]	110	315	725	110	315
Material	Housing	Polymer				
	Cable sheath	Polyvinyl chloride				

Dimensions

Download CAD data → www.festo.com/en/engineering



- 1 LED illuminated area
- 2 Location for inscription label
- 3 3-wire cable
- 4 Connection pattern to DIN EN 175 301-803, type A

Ordering data						
	Description	Operating voltage	Switching status display with LED	Cable length [m]	Part No.	Type
	Plug socket with cable for valves with D and N1 solenoid coils	24 V DC	■	2.5	30 931	KMC-1-24DC-2,5-LED
				5	30 933	KMC-1-24DC-5-LED
				10	193 459	KMC-1-24-10-LED
		0 ... 240 V DC/AC	-	2.5	30 932	KMC-1-230AC-2,5
				5	30 934	KMC-1-230AC-5

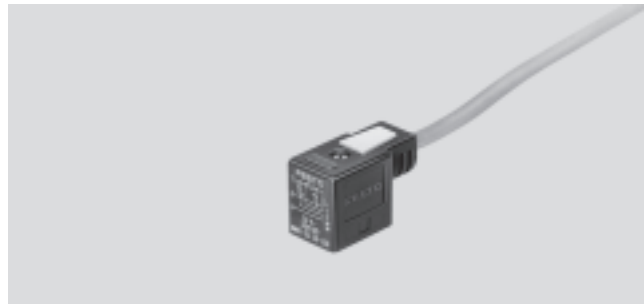
Plug sockets with cable KMV

Technical data



• Temperature range
-20 ... +80°C

• For valves with V solenoid coils



General technical data						
Operating voltage	24 V DC			0 ... 240 V DC/AC		
Cable length	[m]	2.5	5	10	2.5	5
Wire cross section	[mm ²]	3x0.75				
Number of pins	3					
Switching status display	LED					-
Type of mounting	M3 central screw					
Protection class to EN 60 529	IP67 (assembled)					
Mounting position	Any					
CE symbol	-				73/23/EEC (low voltage)	
Ambient temperature	[°C]	-20 ... +80				
Product weight	[g]	165	320	630	165	320
Material	Housing	Polymer				
	Cable sheath	Polyvinyl chloride				

Valve accessories
Cables with sockets

7.3

Dimensions Download CAD data → www.festo.com/en/engineering

Technical drawings showing dimensions and callouts for the plug socket with cable KMV:

- Top view: Dimensions 28 (width), 21.5 (height), and 4 (callout 4).
- Side view: Dimensions 45 (length), 27.5 (height), and M3 (mounting hole).
- Bottom view: Shows the cable and callouts 1, 2, and 3.

Legend:

- 1 LED illuminated area
- 2 Location for inscription label
- 3 3-wire cable
- 4 Connection pattern to DIN EN 175 301-803, type B

Ordering data						
	Description	Operating voltage	Switching status display with LED	Cable length [m]	Part No.	Type
	Plug socket with cable for valves with V solenoid coils	24 V DC	■	2.5	30 939	KMV-1-24DC-2,5-LED
				5	30 941	KMV-1-24DC-5-LED
				10	193 456	KMV-1-24-10-LED
		0 ... 240 V DC/AC	-	2.5	30 940	KMV-1-230AC-2,5
				5	30 942	KMV-1-230AC-5

Plug sockets with cable KME

Technical data



-  - Temperature range
-20 ... +80°C

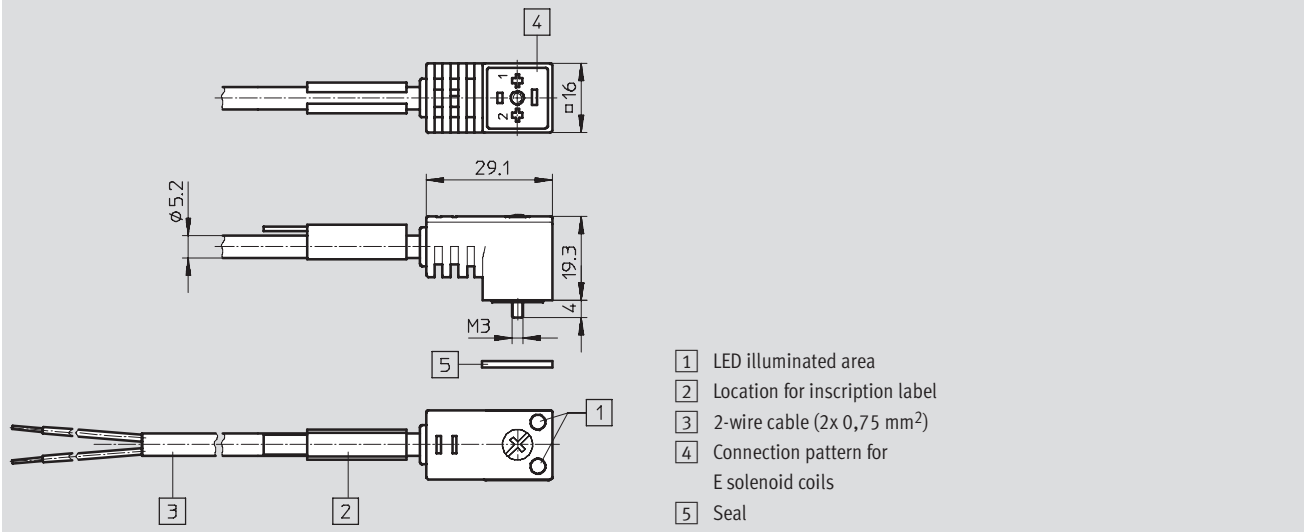
• For valves with E solenoid coils

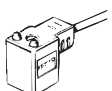



General technical data				
Cable length	[m]	2.5	5	10
Wire cross section	[mm ²]	2x0.75		
Number of pins		2		
Switching status display		LED		
Type of mounting		M3 central screw		
Mounting position		Any		
Protection class to EN 60 529		IP67 (assembled)		
Ambient temperature	[°C]	-20 ... +80		
Product weight	[g]	135	280	570
Material	Housing	Polymer		
	Cable sheath	Polyvinyl chloride		

Dimensions

Download CAD data → www.festo.com/en/engineering



Ordering data						
	Description	Operating voltage	Switching status display with LED	Cable length [m]	Part No.	Type
	Plug socket with cable for valves with E solenoid coils	24 V DC		2.5	30 943	KME-1-24DC-2,5-LED
				5	30 945	KME-1-24DC-5-LED
				10	193 455	KME-1-24-10-LED

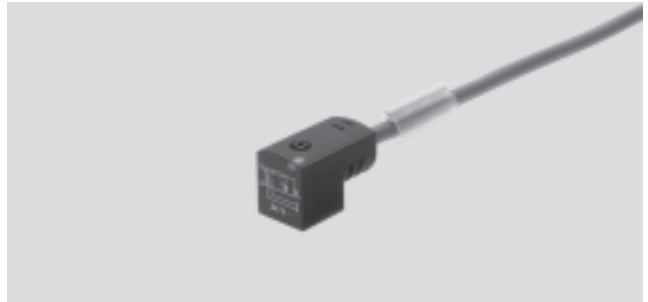
Plug sockets with cable KMEB

Technical data



- Temperature range
-20 ... +80°C

- For valves with EB solenoid coils
- KMEB-1 with PVC cable
- KMEB-2 with PUR cable

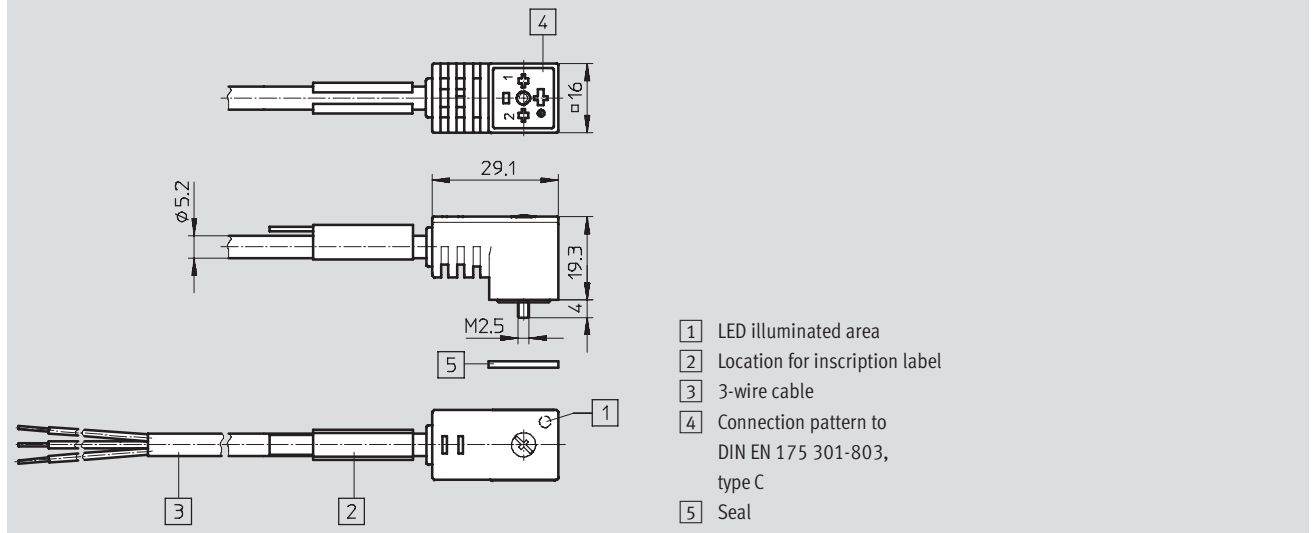


General technical data – KMEB-1						
Operating voltage		24 V DC			0 ... 240 V DC/AC	
Cable length	[m]	2.5	5	10	2.5	5
Wire cross section	[mm ²]	3x0.5				
Number of pins		3				
Switching status display		LED			-	
Type of mounting		M2.5 central screw				
Protection class to EN 60 529		IP65 (assembled)				
Mounting position		Any				
CE symbol		-			73/23/EEC (low voltage)	
Ambient temperature	[°C]	-20 ... +80				
Product weight	[g]	125	230	460	125	230
Material	Housing	Polymer				
	Cable sheath	Polyvinyl chloride				

Valve accessories
Cables with sockets

7.3

Dimensions – KMEB-1 Download CAD data → www.festo.com/en/engineering



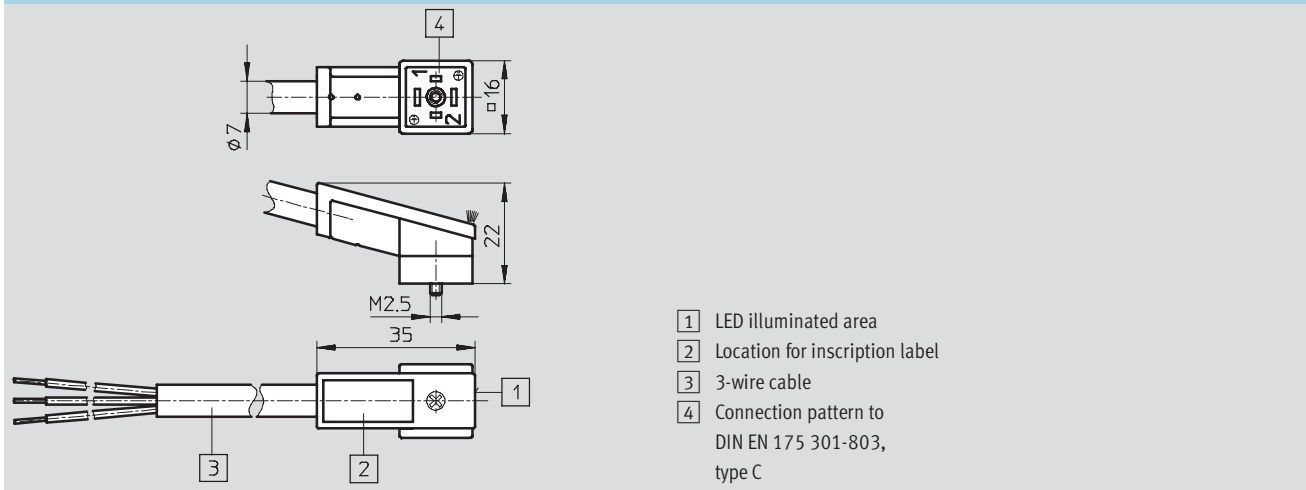
Plug sockets with cable KMEB

Technical data



General technical data – KMEB-2					
Operating voltage	24 V DC		0 ... 240 V DC/AC		
Cable length	[m]	2.5	5	2.5	5
Wire cross section	[mm ²]	3x0.75			
Number of pins	3				
Switching status display	LED		-		
Type of mounting	M2.5 central screw				
Protection class to EN 60 529	IP65 (assembled)				
Mounting position	Any				
CE symbol	-		73/23/EEC (low voltage)		
Ambient temperature	[°C]	-20 ... +80			
Product weight	[g]	200	400	200	400
Material	Housing	Polymer			
	Cable sheath	Polyurethane			

Dimensions – KMEB-2 Download CAD data → www.festo.com/en/engineering



Ordering data

	Description	Operating voltage	Switching status display with LED	Cable length [m]	Part No.	Type
KMEB-1 (PVC cable)						
	Plug socket with cable for valves with EB solenoid coils	24 V DC	■	2.5	151 688	KMEB-1-24-2,5-LED
				5	151 689	KMEB-1-24-5-LED
				10	193 457	KMEB-1-24-10-LED
		0 ... 240 V DC/AC	-	2.5	151 690	KMEB-1-230AC-2,5
5	151 691			KMEB-1-230AC-5		
KMEB-2 (PUR cable)						
	Plug socket with cable for valves with EB solenoid coils	24 V DC	■	2.5	174 844	KMEB-2-24-2,5-LED
				5	174 845	KMEB-2-24-5-LED
				2.5	174 846	KMEB-2-230-2,5
		0 ... 240 V DC/AC	-	5	174 847	KMEB-2-230-5

Do not use for new designs!
 -  - Type to be discontinued

Plug sockets with cable KMY-1/KMYZ-1

Technical data

FESTO

- Temperature range
 -25 ... +80 (KMY-1)
 5 ... 50°C (KMYZ-1)
- For valves with Y and Z solenoid coils



General technical data					
Type		KMY-1	KMYZ-1		
Cable length	[m]	0.5	2.5	5	15
Wire cross section	[mm ²]	2x0.34			
Number of pins		2			
Type of mounting		Clip			
Protection class to EN 60 529		IP40 (assembled)			
Mounting position		Any			
Ambient temperature	[°C]	-20 ... +80	5 ... 50		
Product weight	[g]	4	70	155	325
Material	Housing	Polymer			
	Cable sheath	Polyvinyl chloride			

Valve accessories
Cables with sockets

7.3

Dimensions		Download CAD data → www.festo.com/en/engineering
KMY-1	KMYZ-1	
3 2-wire cable	3 2-wire cable	

Ordering data					
	Description	Operating voltage	Cable length [m]	Part No.	Type
	Plug socket with cable for valves with Y and Z solenoid coils	24 V DC	0.5	34 347	KMY-1-24-0,5
			2.5	30 446	KMYZ-1-24-2,5
			5	30 447	KMYZ-1-24-5
			15	193 454	KMYZ-1-24-15

Plug sockets with cable KMYZ-2



Technical data

Temperature range
-10 ... +50 °C

• For valves with ZB solenoid coils



General technical data		
Wire cross section	[mm ²]	2x0.25
Number of pins		2
Switching status display		LED
Type of mounting		Self-tapping central screw
Protection class to EN 60 529		IP65 (assembled)
Mounting position		Any
Ambient temperature	[°C]	-10 ... +50
Material	Housing	Polymer
	Cable sheath	Polyvinyl chloride

Dimensions Download CAD data → www.festo.com/en/engineering

1 LED illuminated area
 2 Location for inscription label
 3 2-wire cable
 4 Connection pattern for ZB solenoid coils
 5 Mounting screw
 max. tightening torque 0.25 Nm

Ordering data							
	Description	Operating voltage	Switching status display with LED	Cable length [m]	Product weight [g]	Part No.	Type
	Plug socket with cable for valves with ZB solenoid coils	24 V DC	■	2.5	80	34 997	KMYZ-2-24-2,5-LED
				5	150	34 998	KMYZ-2-24-5-LED
				10	290	193 443	KMYZ-2-24-10-LED
	Plug socket with cable and plug M8x1 for valves with ZB solenoid coils	24 V DC	■	0.5		177 676	KMYZ-2-24-M8-0,5-LED
				2.5		177 678	KMYZ-2-24-M8-2,5-LED

Plug sockets with cable KMYZ-3

Technical data



Temperature range
-10 ... +50 °C

- For fast-switching valves MH2/MH3 with metric ZC solenoid coils

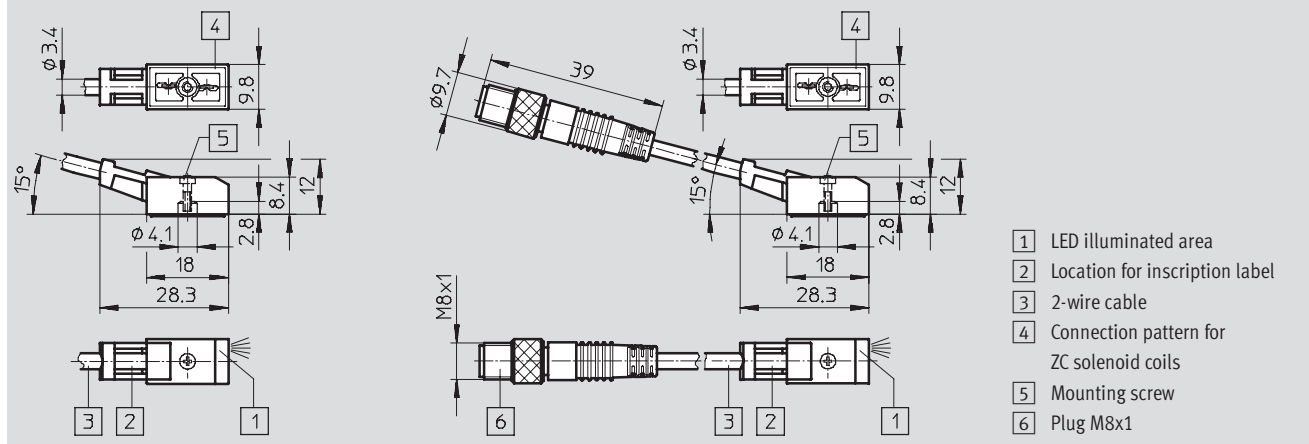


General technical data				
Cable length	[m]	2.5	5	10
Wire cross section	[mm ²]	2x0.25		
Number of pins		2		
Switching status display		LED		
Type of mounting		M2 central screw		
Protection class to EN 60 529		IP65 (assembled)		
Mounting position		Any		
Ambient temperature	[°C]	-10 ... +50		
Product weight	[g]	44	82	154
Material	Housing	Polymer		
	Cable sheath	Polyurethane		

Valve accessories
Cables with sockets

7.3

Dimensions Download CAD data → www.festo.com/en/engineering



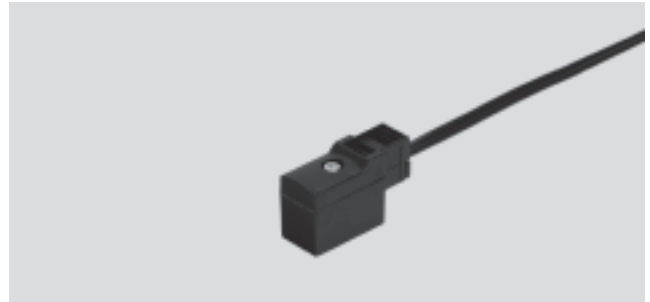
Ordering data							
	Description	Operating voltage	Electrical connection	Switching status display with LED	Cable length [m]	Part No.	Type
	Plug socket with cable for fast-switching valves MH2/MH3 with metric ZC solenoid coils	24 V DC	Cable	■	2.5	193 693	KMYZ-3-24-2,5-LED-PUR-B
					5	193 695	KMYZ-3-24-5-LED-PUR-B
					10	196 066	KMYZ-3-24-10-LED-PUR-B
			Plug M8x1	■	0,5	525 654	KMYZ-3-24-M8-0,5-LED-PUR
					2,5	525 655	KMYZ-3-24-M8-2,5-LED-PUR

Plug sockets with cable KMYZ-4

Technical data

Temperature range
-10 ... +50°C

- For valves with ZB and ZC solenoid coils
- Variant KMYZ-4-...-B for fast-switching valves MH2/MH3




General technical data				
Type	KMYZ-4-...-B		KMYZ-4	
Cable length [m]	0.5	2.5	0.5	2.5
Wire cross section [mm ²]	2x0.35			
Number of pins	2			
Type of mounting	M2 central screw		Self-tapping central screw	
Protection class to EN 60 529	IP40 (assembled)			
Mounting position	Any			
Ambient temperature [°C]	-10 ... +50			
Product weight [g]	10	33	10	33
Material	Housing	Polyamide		
	Cable sheath	Polyvinyl chloride		

Dimensions Download CAD data → www.festo.com/en/engineering

- 1 Mounting screw
- 2 Location for inscription label
- 3 2-wire cable
- 4 Connection pattern for ZB solenoid coils
- 5 Connection pattern for ZC solenoid coils


Ordering data					
	Description	Operating voltage	Cable length [m]	Part No.	Type
With M2 central screw					
	Plug socket with cable for valves with ZB and ZC solenoid coils	24 V DC	0.5	193 690	KMYZ-4-24-0,5-B
			5	193 691	KMYZ-4-24-2,5-B
With self-tapping central screw					
	Plug socket with cable for valves with ZB and ZC solenoid coils	24 V DC	0.5	185 519	KMYZ-4-24-0,5
			5	185 520	KMYZ-4-24-2,5

-  - Type discontinued
Available up until 2006

FESTO

Plug sockets with cable KMYZ-6

Technical data

-  - Temperature range
-10 ... +50°C

• For valves with ZB solenoid coils



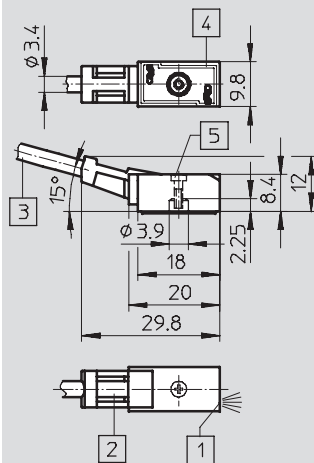
General technical data				
Cable length	[m]	2.5	5	10
Wire cross section	[mm ²]	2x0.25		
Number of pins		3		
Switching status display		LED		
Type of mounting		Self-tapping central screw		
Protection class to EN 60 529		IP65 (assembled)		
Mounting position		Any		
Coil management at 24 V DC		24 mA in 23 ms		
CE symbol		89/336/EEC (EMC)		
Ambient temperature	[°C]	-10 ... +50		
Product weight	[g]	44	81	154
Material	Housing	Polymer		
	Cable sheath	Polyurethane		

Valve accessories
Cables with sockets

7.3

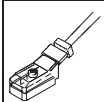
Dimensions

Download CAD data → www.festo.com/en/engineering



- 1 LED illuminated area
- 2 Location for inscription label
- 3 2-wire cable
- 4 Connection pattern for ZB solenoid coils
- 5 Mounting screw

Ordering data

	Description	Operating voltage	Switching status display with LED	Cable length [m]	Part No.	Type
	Plug socket with cable for valves with ZB solenoid coils	24 V DC	■	2.5	193 679	KMYZ-6-24-2,5-LED-PUR
				5	193 681	KMYZ-6-24-5-LED-PUR
				10	196 068	KMYZ-6-24-10-LED-PUR

Plug sockets with cable KMYZ-9

Technical data

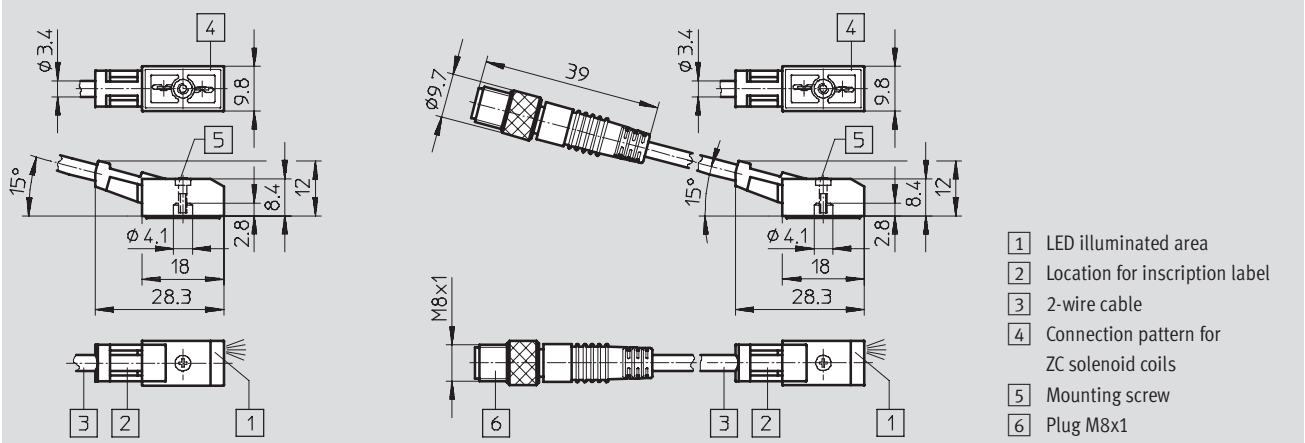
Temperature range
-10 ... +50°C

For valves with ZC solenoid coils
(CPE10/CPE14)



General technical data			
Wire cross section	[mm ²]	2x0.25	
Number of pins		2	
Switching status display		LED	
Type of mounting		M2 central screw	
Protection class to EN 60 529		IP65 (assembled)	
Mounting position		Any	
CE symbol		89/336/EEC (EMC)	
Coil management at 24 V DC		23 mA in 24 ms	
Ambient temperature	[°C]	-10 ... +50	
Product weight	[g]	46	82
Material	Housing	Polymer	
	Cable sheath	Polyurethane	

Dimensions Download CAD data → www.festo.com/en/engineering



Ordering data							
	Description	Operating voltage	Electrical connection	Switching status display with LED	Cable length [m]	Part No.	Type
	Plug socket with cable for valves with ZC solenoid coils	24 V DC	Cable	■	2.5	193 687	KMYZ-9-24-2,5-LED-PUR-B
					5	193 689	KMYZ-9-24-5-LED-PUR-B
					10	196 063	KMYZ-9-24-10-LED-PUR-B
			Plug M8x1	■	0,5	196 064	KMYZ-9-24-M8-0,5-LED-PUR-B
					2,5	196 065	KMYZ-9-24-M8-2,5-LED-PUR-B

Plug sockets with cable KMH

Technical data



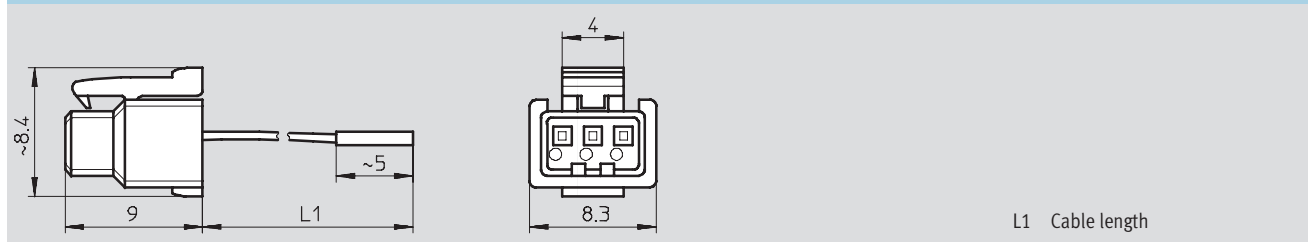
Temperature range
-40 ... +80°C

- For miniature valves MHA1 and MHP1
- For fast-switching valves MHA2 and MHP2



General technical data					
Cable length	[m]	0.5	1	2.5	5
Number of pins		2			
Type of mounting		Clip			
Protection class to EN 60 529		IP40 (assembled)			
Mounting position		Any			
Ambient temperature	[°C]	-40 ... +80			
Product weight	[g]	4	7	17	31
Material	Housing	Polyacetal			
	Cable sheath	Polyvinyl chloride			

Dimensions Download CAD data → www.festo.com/en/engineering



Ordering data					
	Description	Operating voltage	Cable length [m]	Part No.	Type
	Plug socket with cable for miniature valves MHA1 and MHP1 and fast-switching valves MHA2 and MHP2	24 V DC	0.5	197 263	KMH-0,5
			1	197 264	KMH-1
			2.5	527 400	KMH-2,5
			5	527 401	KMH-5

Plug sockets with cable KMPPE

Technical data

-  - Temperature range
-30 ... +80°C

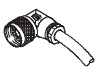
- For proportional pressure regulators MPPE and MPPEs



General technical data			
Cable length	[m]	2.5	5
Wire cross section	[mm ²]	8x0.25	
Number of pins		8	
Type of mounting		Knurled locknut M16x0.75	
Mounting position		Any	
Ambient temperature	[°C]	-30 ... +80	
Product weight	[g]	243	459
Material	Cable sheath	Polyvinyl chloride	

Dimensions Download CAD data → www.festo.com/en/engineering

1 PVC cable

Ordering data					
	Description	Operating voltage	Cable length [m]	Part No.	Type
	Plug socket with cable for proportional pressure regulators MPPE and MPPEs	24 V DC	2.5	161 879	KMPPE-B-2,5
			5	161 878	KMPPE-B-5

Plug sockets with cable KM12

Technical data



• Temperature range
-30 ... +70°C

• For valves to ISO 15 407-1 (VDMA 24 563) and ISO 5599-1 with central plug M12x1

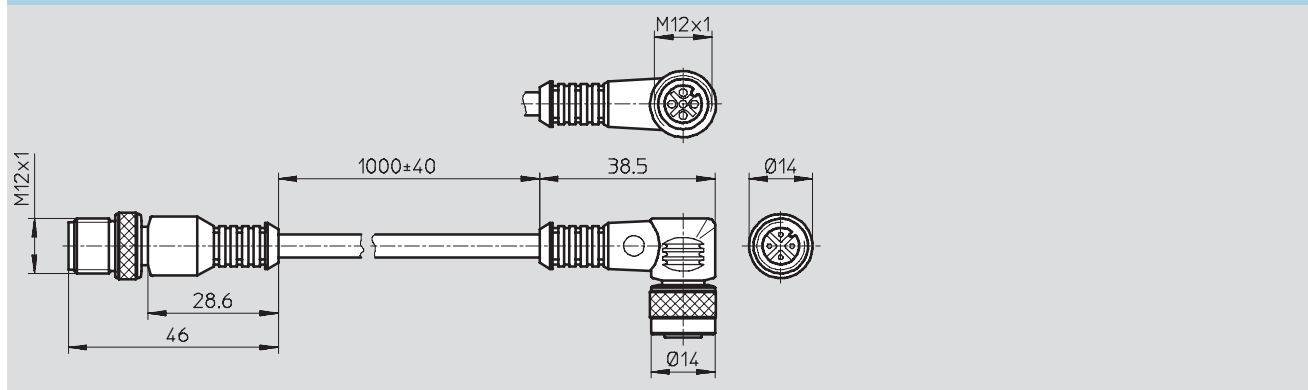


General technical data			
Wire cross section	[mm ²]	4x0.34	
Number of pins		4	
Cable length	[m]	1	
Type of mounting		Knurled locknut M12x1	
Protection class to EN 60 529		IP67 (assembled)	
Mounting position		Any	
Operating voltage range	[V AC]	Max. 60	
Operating voltage range	[V DC]	Max. 75	
Ambient temperature	Fixed cable installation	[°C]	-30 ... +70
	Flexible cable installation	[°C]	-5 ... +70
Product weight	[g]	66	
Material	Housing	Polyurethane	
	Cable sheath	Polyurethane	

Valve accessories
Cables with sockets

7.3

Dimensions Download CAD data → www.festo.com/en/engineering



Ordering data				
	Description	Cable length [m]	Part No.	Type
	Plug socket with cable for valves to ISO 15 407-1 (VDMA 24 563) and ISO 5599-1 with central plug M12x1	1	185 499	KM12-M12-GSWD-1-4