
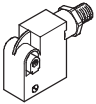
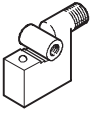


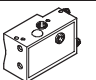
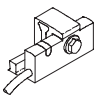


Proximity sensors, block-shaped

Product range overview



Measuring principle	Version	Type	Assembly	Switching element function		Switch output	Electrical connection	
				N/O contact	N/C contact		Cable	Plug
Magneto-resistive	Operating voltage range 10 ... 30 V DC							
		SMTO-1	Via accessories	■	-	PNP	3-wire	M8x1, 3-pin
				■	-	NPN	3-wire	M8x1, 3-pin
		SMTSO-1 Welding field immune		■	-	PNP	-	M12x1, 3-pin
Magneto-inductive	Operating voltage range 10 ... 30 V DC							
		SMTO-6	Via accessories	■	-	PNP	-	M12x1, 3-pin
Magnetic reed	Operating voltage range 0 ... 30 V DC							
		SMEO-1	Via accessories	■	-	Contacting	-	M8x1, 3-pin ¹⁾
				■	-		3-wire	M8x1, 3-pin
	Operating voltage range 0 ... 250 V AC, 0 ... 200 V DC							
		SMEO-1-B	Via accessories	■	-	Contacting	2-wire	-
		SMEO-1		■	-		2-wire	-
		■		-	2-wire		-	
SMEO-1-S6-C Heat resistant up to 120°C		■		-	2-wire		-	
Magnetic	Pneumatic proximity sensor, operating pressure 2 ... 6 bar							
		SMPO-1	Via accessories	■ ²⁾	-	-	-	-
Inductive	Operating voltage range 10 ... 30 V DC							
		SMT-C1	Clamped	■	-	PNP	3-wire	-

1) The proximity sensor has 2 wires internally. One pin of the M8 plug is unused.

2) 3/2-way valve, normally closed

Proximity sensors, block-shaped

Product range overview

FESTO

Type	Connection direction		Replacement without re-adjustment	Switching status display via LED	Free of copper and PTFE	→ Page
	In-line	Lateral				
Operating voltage range 10 ... 30 V DC						
SMT0-1	■	-	■ 1)	■	■	1 / 10.2-89
	■	-	■ 1)	■	-	
SMTSO-1 Welding field immune	■	-	-	■	-	1 / 10.2-91
Operating voltage range 10 ... 30 V DC						
SMT0-6	■	-	-	■	-	1 / 10.2-93
Operating voltage range 0 ... 30 V DC						
SME0-1	■	-	■ 1)	-	■	1 / 10.2-95
	■	-	■ 1)	■	■	
Operating voltage range 0 ... 250 V DC, 0 ... 200 V DC						
SME0-1-B	■	-	■ 1)	-	-	1 / 10.2-95
SME0-1	■	-	■ 1)	■	-	
	■	-	■ 1)	-	-	
SME0-1-S6-C Heat resistant up to 120°C	■	-	■ 1)	■	-	
Pneumatic proximity sensor, operating pressure 2 ... 6 bar						
SMPO-1	■	-	■ 1)	- 2)	-	1 / 10.2-98
Operating voltage range 10 ... 30 V DC						
SMT-C1	■	-	-	■	■	1 / 10.2-100

1) Not in combination with mounting kit SMB-1 or SMBS-...

2) Switching status is via pneumatic indicator

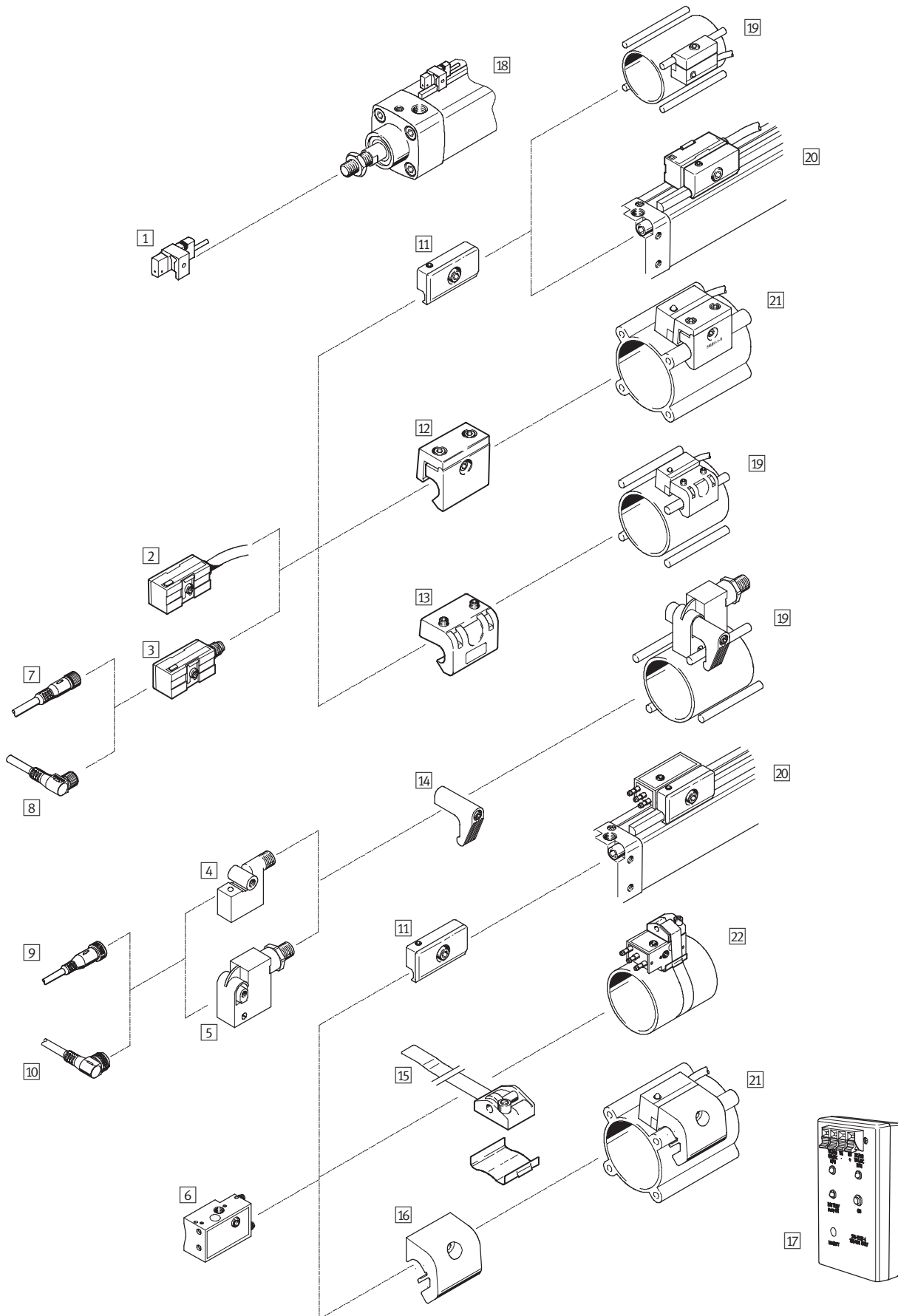
Proximity sensors, block-shaped

Peripherals overview



Drive accessories
Cylinder sensors

10.2



Proximity sensors, block-shaped

Peripherals overview

FESTO

Mounting attachments and accessories		
	Brief description	→ Page
Proximity sensors		
1	SMT-C1-...	Inductive, with cable and clamping component
2	SMT0-1-...	Magneto-resistive, with cable
	SME0-1-...	Magnetic reed, with cable
3	SMT0-1-...	Magneto-resistive, with plug M8x1
	SME0-1-...	Magnetic reed, with plug M8x1
4	SMT0-6-...	Magneto-inductive, with plug M12x1
5	SMTSO-1-...	Magneto-resistive, welding field immune, with plug M12x1
6	SMP0-1-...	Pneumatically actuated
Accessories		
7	Plug socket with cable NEBU-M83GD-...	Straight socket, M8x1, 3-pin
8	Plug socket with cable NEBU-M83WD-...	Angled socket, M8x1, 3-pin
9	Plug socket with cable NEBU-M123GD-...	Straight socket, M12x1, 3-pin
10	Plug socket with cable NEBU-M123WD-...	Angled socket, M12x1, 3-pin
11	Mounting kit SMB-1	For standard cylinders DNG
12	Mounting kit SMBU-1-B	For standard cylinders DNU
13	Mounting kits SMB-2-B, SMB-3-B	For standard cylinders DNG
14	Mounting kit SMBT-1	For standard cylinders DNG
15	Mounting kit SMBS-...	For round cylinders
16	Mounting kit SMBU-1-H-32	For standard cylinders DNU
17	Sensor tester SM-TEST-1	
Drives		
18	Standard cylinders CDN-...-R with sensor strip	∅ 32 ... 100 mm
19	Standard cylinders DNG	∅ 32 ... 320 mm
20	Flat cylinders DZH	∅ 32 ... 63 mm
	Semi-rotary drives DRQ	∅ 40 ... 100 mm
21	Standard cylinders DNU	∅ 32 ... 125 mm
22	Round cylinders	∅ 8 ... 100 mm

Drive accessories
Cylinder sensors

10.2

Proximity sensors, block-shaped

Type codes

Proximity sensor for cylinders with tie or mounting rod

		SMT0-1	-	PS	-	K	-	LED	-	24	-	C
Function												
SMT0-1	Proximity sensor, block-shaped, magneto-resistive											
SMTSO-1	Proximity sensor, block-shaped, magneto-resistive, welding field immune											
SMT0-6	Proximity sensor, block-shaped, magneto-inductive											
SMEO-1	Proximity sensor, block-shaped, magnetic reed											
SMPO-1	Proximity sensor, block-shaped, magnetic											
Switch output, switching element function												
PS	PNP, N/O contact, 3-wire											
NS	N/O contact, 3-wire, NPN											
	N/O contact, 2- or 3-wire											
Electrical connection, cable length												
K	Cable, 2.5 m											
S	Plug M8x1											
Switching status display												
LED	Yellow LED											
Rated operating voltage												
24	24 V DC											
230	230 V AC											
Generation												
B	B series											
C	C series											

Proximity sensor for standard cylinders CDN-...-R with sensor strip

		SMT-C1	-	PS	-	24V	-	K2,5	-	OE	
Function											
SMT-C1	Proximity sensor, block-shaped, inductive										
Switching element function, switch output											
PS	PNP, N/O contact, 3-wire										
Rated operating voltage											
24V	24 V DC										
Cable length											
K2,5	2.5 m										
K5,0	5.0 m										
Electrical connection											
OE	Cable with open end										

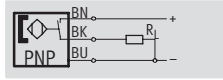
Proximity sensors SMTO-1, block-shaped, magneto-resistive



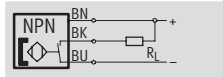
Technical data

Function

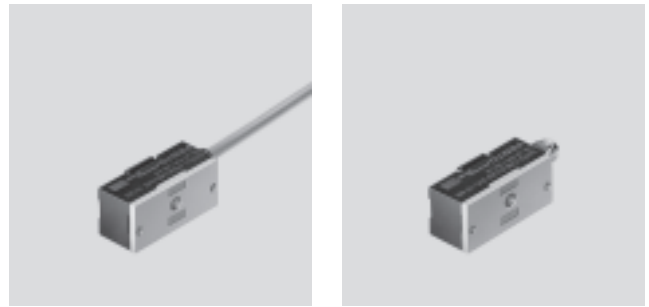
e.g. PNP, N/O contact, with cable



e.g. NPN, N/O contact, with cable



- Magneto-resistive measuring principle



Design	
Constructional design	Block-shaped
Type of mounting	Via accessories
Connection direction	In-line
Reproducibility of switching point ¹⁾ [mm]	±0.1
Switching status display	Yellow LED

1) Only applicable to drives secured against rotation.

Technical data – N/O contact		
Switch output	PNP	
	NPN	
Electrical connection	Cable, 3-wire	Plug M8x1, 3-pin
Cable length [m]	2.5	–
Operating voltage range [V DC]	10 ... 30	
Max. switching current [mA]	200	
Max. switching capacity [W]	6	
Voltage drop [V]	3	
Residual current [mA]	≤0.01	
Switch-on time [ms]	≤1	
Switch-off time [ms]	≤1	
Protection against short circuit	Yes	
Protection against polarity reversal	For all electrical connections	
Protection class	IP67	
Product weight [g]	85	20

Operating and environmental conditions			
Electrical connection	Cable		Plug
Cable installation	Fixed	Flexible	
Ambient temperature [°C]	–25 ... +70	–5 ... +70	–25 ... +70
Corrosion resistance class CRC ¹⁾	4		2
CE symbol (declaration of conformity)	In accordance with EU EMC directive		

- 1) Corrosion resistance class 2 according to Festo standard 940 070
 Components requiring moderate corrosion resistance. Externally visible parts with primarily decorative surface requirements which are in direct contact with a normal industrial environment or media such as coolants or lubricating agents.
 Corrosion resistance class 4 according to Festo standard 940 070
 Components requiring higher corrosion resistance. Parts used with aggressive media, e.g. food or chemical industry. These applications should be supported with special tests with the media if required.

Materials	
Housing	Die-cast zinc, polyester
Cable sheath	Polyvinyl chloride
Note on materials	Free of copper and PTFE

Proximity sensors SMTO-1, block-shaped, magneto-resistive

Technical data



Product weights [g]		
Electrical connection	Cable	Plug
N/O contact		
PNP	85	20
NPN	85	20

Dimensions Download CAD data → www.festo.com/en/engineering

Cable type

1 Connecting cable
2 Yellow LED

Plug type M8x1

2 Yellow LED
3 Plug suitable for plug socket with cable NEBU-M8...
4 Installation space for angled socket

Ordering data

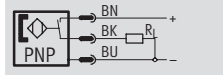
	Switch output	Electrical connection		Cable length [m]	Part No.	Type
		Cable	Plug M8x1			
	N/O contact					
	PNP	3-wire	–	2.5	151 683	SMTO-1-PS-K-LED-24-C
		–	3-pin	–	151 685	SMTO-1-PS-S-LED-24-C
	NPN	3-wire	–	2.5	151 684	SMTO-1-NS-K-LED-24-C
–		3-pin	–	151 686	SMTO-1-NS-S-LED-24-C	

Proximity sensors SMTSO-1, block-shaped, magneto-resistive

Technical data

Function

PNP, N/O contact, with plug



- Welding field immune
- Magneto-resistive measuring principle



Design	
Constructional design	Block-shaped
Type of mounting	Via accessories
Connection direction	In-line
Reproducibility of switching point ¹⁾ [mm]	±0.1
Switching status display	Yellow LED
Ready status display	Green LED

1) Only applicable to drives secured against rotation

Technical data – PNP, N/O contact	
Electrical connection	Plug M12x1, 3-pin
Operating voltage range [V DC]	10 ... 30
Max. switching current [mA]	200
Max. switching capacity [W]	6
Voltage drop [V]	3
Residual current [mA]	0.01
Switch-on time [ms]	≤35
Switch-off time [ms]	≤20
Resistance to interference from magnetic fields	Alternating magnetic field 50 ... 60 Hz
Protection against short circuit	Yes
Protection against polarity reversal	For all electrical connections
Protection class	IP65/IP67

Operating and environmental conditions	
Electrical connection	Plug
Ambient temperature [°C]	-25 ... +70
Corrosion resistance class CRC ¹⁾	1
CE symbol (declaration of conformity)	In accordance with EU EMC directive

1) Corrosion resistance class 1 according to Festo standard 940 070
Components requiring low corrosion resistance. Transport and storage protection. Parts that do not have primarily decorative surface requirements, e.g. in internal areas that are not visible or behind covers.

Materials	
Housing	Die-cast zinc

Product weights [g]	
N/O contact	
PNP	70

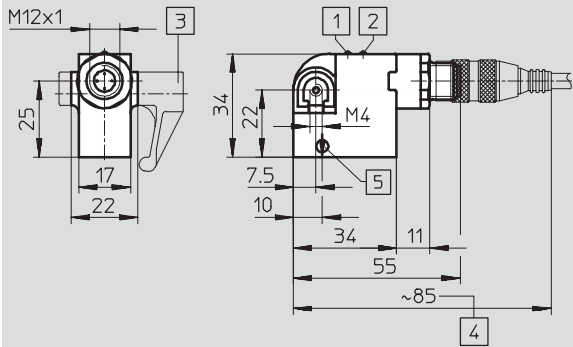
Proximity sensors SMTSO-1, block-shaped, magneto-resistive

Technical data



Dimensions Download CAD data → www.festo.com/en/engineering

Plug type M12x1



- 1 Green LED
- 2 Yellow LED
- 3 Mounting kit
- 4 Installation space for socket

Ordering data

	Switch output	Electrical connection	Part No.	Type
	N/O contact			
	Welding field immune			
	PNP	Plug M12x1, 3-pin	30 441	SMTSO-1-PS-S-LED-24

Drive accessories
Cylinder sensors

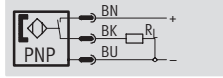
10.2

Proximity sensors SMTO-6, block-shaped, magneto-resistive

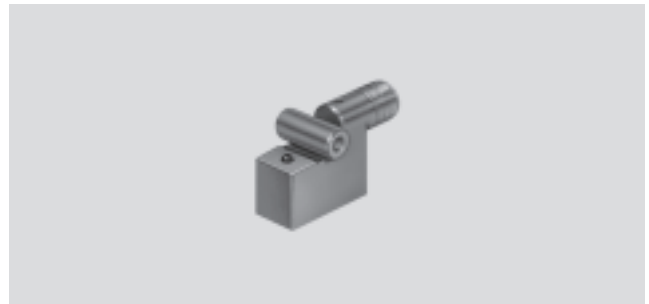
Technical data

Function

PNP, N/O contact, with plug



- Magneto-inductive measuring principle



Design	
Constructional design	Block-shaped
Type of mounting	Via accessories
Connection direction	In-line
Reproducibility of switching point ¹⁾ [mm]	±0.1
Switching status display	Yellow LED

1) Only applicable to drives secured against rotation

Technical data – PNP, N/O contact	
Electrical connection	Plug M12x1, 3-pin
Operating voltage range [V DC]	10 ... 30
Max. switching current [mA]	200
Max. switching capacity [W]	6
Voltage drop [V]	3
Residual current [mA]	≤0.01
Switch-on time [ms]	≤1
Switch-off time [ms]	≤1
Protection against short circuit	Yes
Protection against polarity reversal	For all electrical connections
Protection class	IP67

Operating and environmental conditions	
Electrical connection	Plug
Ambient temperature [°C]	-25 ... +70
Corrosion resistance class CRC ¹⁾	1
CE symbol (declaration of conformity)	In accordance with EU EMC directive

1) Corrosion resistance class 1 according to Festo standard 940 070
Components requiring low corrosion resistance. Transport and storage protection. Parts that do not have primarily decorative surface requirements, e.g. in internal areas that are not visible or behind covers.

Materials	
Housing	Die-cast zinc

Product weights [g]	
N/O contact	
PNP	36

Proximity sensors SMTO-6, block-shaped, magneto-resistive

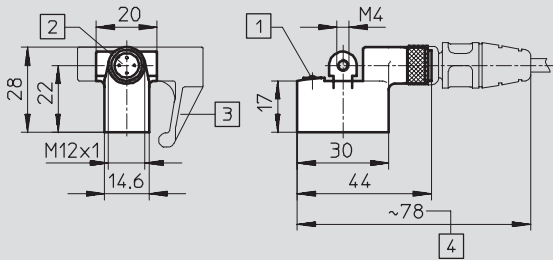
Technical data



Dimensions

Download CAD data → www.festo.com/en/engineering

Plug type M12x1



- 1 Yellow LED
- 2 Plug suitable for plug socket with cable NEBU-M12...
- 3 Mounting kit
- 4 Installation space for socket

Ordering data

	Switch output	Electrical connection	Part No.	Type
	N/O contact			
	PNP	Plug M12x1, 3-pin	35 573	SMTO-6-PS-S-LED-24

Proximity sensors SMEO-1, block-shaped, magnetic reed

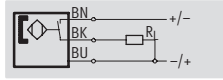


Technical data

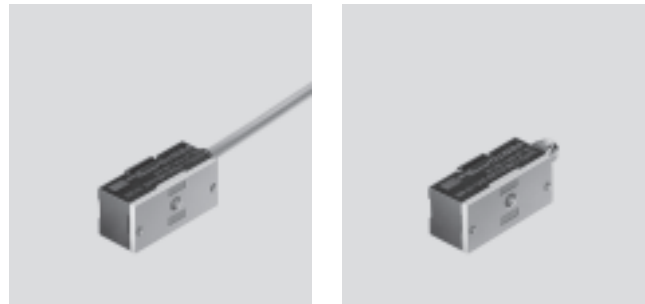
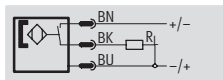
Function

- Magnetic reed measuring principle

e.g. N/O contact, 3-wire, with cable



e.g. N/O contact, 3-wire, with plug



Design	
Constructional design	Block-shaped
Type of mounting	Via accessories
Connection direction	In-line
Reproducibility of switching point ¹⁾	[mm] ±0.1

1) Only applicable to drives secured against rotation.

Technical data – N/O contact, 3-wire			
Switching element function		N/O contact	
Switch output		Conventional contact, bipolar	
Electrical connection		Cable, 3-wire	Plug M8x1, 3-pin
Cable length	[m]	2.5	5.0
Operating voltage range	DC [V DC]	12 ... 27	
Max. output current	DC [mA]	1,000	
Max. switching capacity	DC [W]	27	
Switch-on time	[ms]	≤0.5	
Switch-off time	[ms]	≤0.03	
Protection against short circuit		No	
Protection against polarity reversal		No	
Protection class		IP67	
Switching status display		Yellow LED	

Technical data – N/O contact, heat resistant			
Switching element function		N/O contact	
Switch output		Conventional contact, bipolar	
Electrical connection		Cable, 2-wire	
Cable length	[m]	2.5	
Operating voltage range	DC [V DC]	0 ... 200	
	AC [V AC]	0 ... 250	
Max. output current	DC [mA]	1,000	
	AC [mA]	1,000	
Max. switching capacity	DC [W]	40	
	AC [VA]	40	
Switch-on time	[ms]	≤0.5	
Switch-off time	[ms]	≤0.03	
Protection against short circuit		No	
Protection against polarity reversal		No	
Protection class		IP67	
Switching status display		–	

Proximity sensors SMEO-1, block-shaped, magnetic reed

Technical data

FESTO

Technical data – N/O contact, 2-wire				
Switching element function		N/O contact		
Switch output		Conventional contact, bipolar ¹⁾		Conventional contact, bipolar
Electrical connection		Cable, 2-wire		Cable, 2-wire Plug M8x1, 2-pin
Cable length [m]		2.5	5.0	2.5 –
Operating voltage range	DC [V DC]	5 ... 200		0 ... 200 0 ... 30
	AC [V AC]	5 ... 250		0 ... 250 –
Max. output current	DC [mA]	500		1,000 1,000
	AC [mA]	500		1,000 –
Max. switching capacity	DC [W]	40		40 40
	AC [VA]	40		40 –
Voltage drop [V]		4.1		– –
Switch-on time [ms]		≤0.5		
Switch-off time [ms]		≤0.03		
Protection against short circuit		No		
Protection against polarity reversal		No		
Protection class		IP67		
Switching status display		Yellow LED	Yellow LED	– –

1) Without LED function.

Operating and environmental conditions						
Electrical connection		Cable		Cable, heat resistant		Plug
Cable installation		Fixed	Flexible	Fixed	Flexible	Fixed
Ambient temperature [°C]		–20 ... +70	–5 ... +70	–10 ... +120	–5 ... +120	–20 ... +70
Corrosion resistance class CRC ¹⁾		4		4		2
CE symbol (declaration of conformity)		In accordance with EU EMC directive ²⁾		In accordance with EU low voltage directive		In accordance with EU EMC directive
		In accordance with EU low voltage directive ³⁾				

- 1) Corrosion resistance class 2 according to Festo standard 940 070
Components requiring moderate corrosion resistance. Externally visible parts with primarily decorative surface requirements which are in direct contact with a normal industrial environment or media such as coolants or lubricating agents.
Corrosion resistance class 4 according to Festo standard 940 070
Components requiring higher corrosion resistance. Parts used with aggressive media, e.g. food or chemical industry. These applications should be supported with special tests with the media if required.
- 2) Only valid for N/O contact, 3-wire, operating voltage range 12 ... 27 V DC and for N/O contact, 2-wire, operating voltage range 5 ... 250 V AC / 5 ... 200 V DC.
- 3) Only valid for N/O contact, 2-wire, with cable.

Materials	
Housing	Die-cast zinc, polyester
Cable sheath	Polyurethane
Note on materials	Free of copper and PTFE

Product weights [g]				
Electrical connection		Cable		Plug
Cable length [m]		2,5	5,0	–
N/O contact				
3-wire		85	130	20
2-wire		100(85) ¹⁾	130	20
2-wire, heat resistant		130	–	–

2) Value in brackets only valid for operating voltage range 0 ... 250 V AC / 0 ... 200 V DC.

Proximity sensors SMEO-1, block-shaped, magnetic reed

Technical data



Dimensions Download CAD data → www.festo.com/en/engineering

Cable type

- 1 Connecting cable
- 2 Yellow LED

Plug type M8x1

- 2 Yellow LED
- 3 Plug suitable for plug socket with cable NEBU-M8...
- 4 Installation space for angled socket

Ordering data		Electrical connection	Cable length	Switching status	Part No.	Type
		Cable	Plug M8x1	[m]	display via LED	
	N/O contact					
	Operating voltage range 12 ... 27 V DC					
	3-wire	-	-	2.5	■	30 459 SMEO-1-LED-24-B
	3-wire	-	-	5.0	■	151 672 SMEO-1-LED-24-K5-B
	-	3-pin	-	-	■	150 848 SMEO-1-S-LED-24-B
	Operating voltage range 0 ... 250 V AC, 0 ... 200 V DC					
	2-wire	-	-	2.5	-	30 457 SMEO-1-B
	2-wire	-	-	2.5	■	151 671 SMEO-1-LED-230-B
	2-wire	-	-	5.0	■	160 998 SMEO-1-LED-230-K5-B
	Heat resistant up to 120°C					
	2-wire	-	-	2.5	-	151 673 SMEO-1-S6-C
	Operating voltage range 0 ... 30 V DC					
-	3-pin ¹⁾	-	-	-	150 847 SMEO-1-S-24-B	

1) The proximity sensor has 2 wires internally. One pin of the M8 plug is unused.

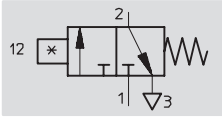
Proximity sensor SMPO-1, block-shaped, pneumatic

Technical data



Function
3/2-way valve,
normally closed

- Pneumatic proximity sensor
- Magnetic measuring principle



Design	
Constructional design	Block-shaped
Type of mounting	Via accessories
Connection direction	In-line
Reproducibility of switching point ¹⁾	[mm] ±0.1
Switching status display	Optical

1) Only applicable to drives secured against rotation.

Technical data	
Switching element function	3/2-way valve, normally closed
Operating medium	Filtered, unlubricated compressed air
Operating pressure	[bar] 2 ... 6
Switch-on time	[ms] 12
Switch-off time	[ms] 30
Pneumatic connection	Barbed connector PK-3
Protection class	IP65

Operating and environmental conditions	
Ambient temperature	[°C] -15 ... +60
Corrosion resistance class CRC ¹⁾	1

1) Corrosion resistance class 1 according to Festo standard 940 070
Components requiring low corrosion resistance. Transport and storage protection. Parts that do not have primarily decorative surface requirements, e.g. in internal areas that are not visible or behind covers.

Materials	
Housing	Polyamide
Barbed connector	Brass
Note on materials	Free of copper and PTFE

Product weights [g]	
PNP	14

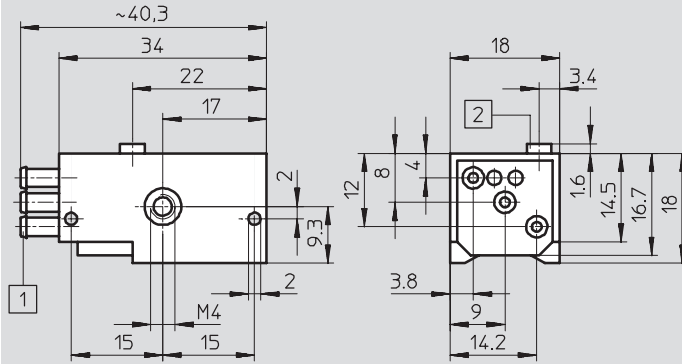
Proximity sensors SMPO-1, block-shaped, pneumatic

Technical data



Dimensions

Download CAD data → www.festo.com/en/engineering



- 1 Barbed connector for tubing, nominal diameter 3 mm
- 2 Visual indicator

Ordering data

	Pneumatic connection	Part No.	Type
	3/2-way valve, normally closed		
	Barbed connector for 3 mm I.D. tubing	31 008	SMPO-1-H-B

Drive accessories
Cylinder sensors

10.2

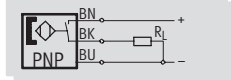
Proximity sensors SMT-C1, block-shaped, inductive

Technical data



Function

PNP, N/O contact, with cable



- Inductive measuring principle
- For standard cylinders CDN-...-R with sensor strip



Design	
Constructional design	Block-shaped
Type of mounting	Clamped
Connection direction	In-line
Switching status display	Yellow LED

Technical data – PNP, N/O contact	
Method of measurement	Absolute
Electrical connection	Cable, 3-wire
Cable length	[m] 5.0
Operating voltage range	[V DC] 10 ... 30
Max. output current	[mA] 200
Max. switching capacity DC	[W] 6.0
Voltage drop	[V] < 1.8
Residual current	[mA] < 0.1
Switch-on time	[ms] ≤ 0.5
Switch-off time	[ms] ≤ 0.5
Hysteresis	[mm] ≤ 2.0
Protection against short circuit	Yes
Protection against polarity reversal	For all electrical connections
Inductive protective circuit	Adapted to MZ, MY, ME coils
Protection against overloading	Yes
Protection class	IP65/IP67
Tightening torque	[Nm] 1.2
Conforms to	DIN EN 60 947-5-2

Operating and environmental conditions		
Cable installation	Fixed	Flexible
Ambient temperature	[°C] -20 ... +70	-20 ... +70
Corrosion resistance class CRC ¹⁾	3	
CE symbol (declaration of conformity)	In accordance with EU EMC directive	

3) Corrosion resistance class 3 according to Festo standard 940 070
 Components requiring higher corrosion resistance. External visible parts in direct contact with industrial atmospheres or media such as solvents and cleaning agents, with a predominantly functional requirement for the surface.

Materials	
Housing	Aluminium High-alloy stainless steel Polypropylene Polyurethane
Cable sheath	Polyurethane
Note on materials	Free of copper and PTFE Halogen-free

Proximity sensors SMT-C1, block-shaped, inductive



Technical data

Product weights [g]	
N/O contact	
3-wire	60

Dimensions Download CAD data → www.festo.com/en/engineering

Cable type

- 1 Connecting cable
- 2 Yellow LED
- 3 Clamping component, tightening torque 1,2 Nm

Ordering data					
	Switch output	Electrical connection	Cable length [m]	Part No.	Type
	N/O contact				
	PNP	Cable, 3-wire	2.5	540 431	SMT-C1-PS-24V-2,5-OE
			5.0	540 432	SMT-C1-PS-24V-5,0-OE

Drive accessories
Cylinder sensors

10.2

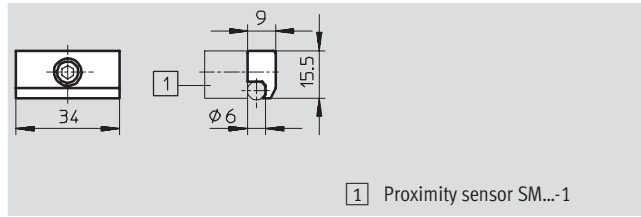
Proximity sensors, block-shaped

Accessories



Mounting kit SMB-1

Material:
Die-cast zinc



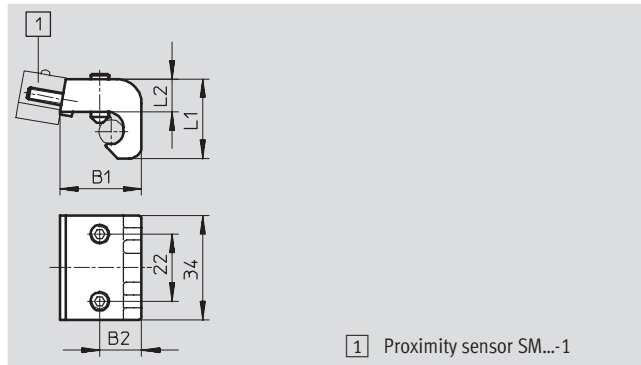
1) Proximity sensor SM...-1

Dimensions and ordering data

For piston Ø	Part No.	Type
32 ... 100	11 886	SMB-1

Mounting kit SMB-2-B/SMB-3-B

Material:
Die-cast aluminium



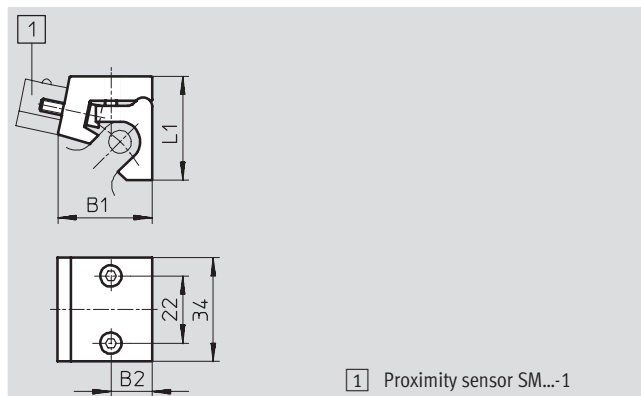
1) Proximity sensor SM...-1

Dimensions and ordering data

For piston Ø	B1	B2	L1	L2	Part No.	Type
32 ... 50	18	11	23	11.6	36 162	SMB-2-B
63 ... 100	26.8	13.7	26	10.8	36 163	SMB-3-B

Mounting kit SMBU

Material:
Die-cast aluminium



1) Proximity sensor SM...-1

Dimensions and ordering data

For piston Ø	B1	B2	L1	Part No.	Type
32 ... 50	19	8.5	30	36 173	SMBU-1-B¹⁾
63 ... 100	31	13.5	34	36 174	SMBU-2-B¹⁾
125	31	13.5	37	125 828	SMBU-3-B

1) Free of copper and PTFE

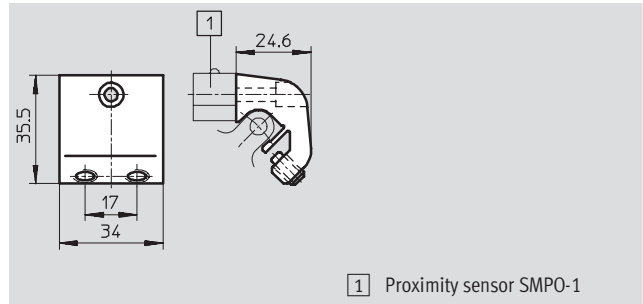
Proximity sensors, block-shaped

Accessories



Mounting kit SMBU-1-H-32

Material:
Aluminium

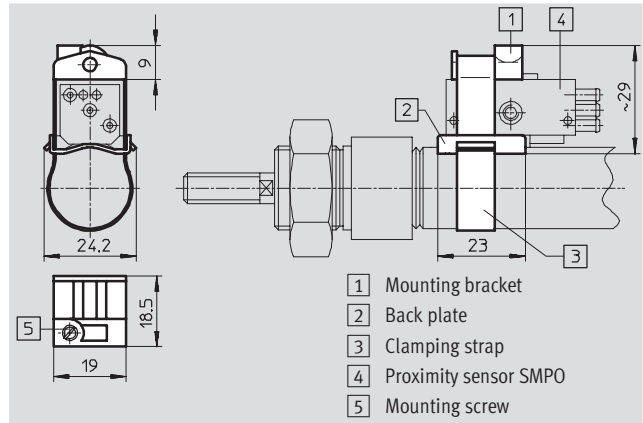


1 Proximity sensor SMPO-1

Dimensions and ordering data		
For piston Ø	Part No.	Type
32	150 216	SMBU-1-H-32

Mounting kit SMBS

Material:
Brass, plastic

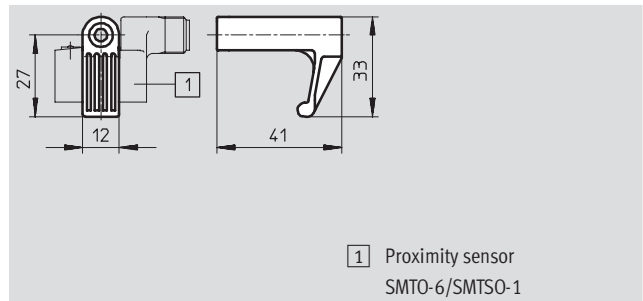


- 1 Mounting bracket
- 2 Back plate
- 3 Clamping strap
- 4 Proximity sensor SMPO
- 5 Mounting screw

Dimensions and ordering data		
For piston Ø	Part No.	Type
8 ... 25	151 225	SMBS-1
32 ... 100	151 226	SMBS-2

Mounting kit SMBT-1

Material:
Die-cast zinc



1 Proximity sensor SMT0-6/SMTSO-1

Dimensions and ordering data		
For piston Ø	Part No.	Type
32 ... 200	150 002	SMBT-1