

- Multi-axis and drive combinations
- With guide
- Recirculating ball bearing guide
- Individualised position sensing and end-position cushioning

Linear units SLE

Key features



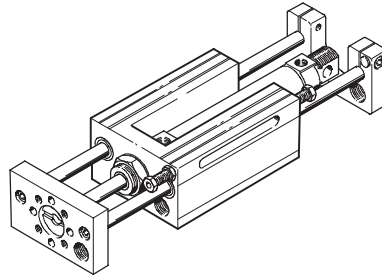
Version

The linear unit SLE is a combination of a guide unit and a standard cylinder. The cylinder moves a flange plate.

The modular system allows for individualised end-position cushioning and end-position sensing solutions.

Basic unit

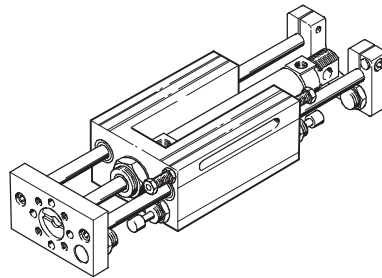
SLE-...-G



Standard unit

SLE-...-S

with two self-adjusting shock absorbers and two inductive proximity sensors with PNP output



Linear units SLE

Key features

Multi-axis combinations

The linear unit SLE can be combined with a further linear unit SLE or a linear drive SLM to produce a range of 2-axis or 3-axis systems.

These multi-axis configurations are formed by screwing the units together, either directly or using an adapter plate. A linear unit SLE can be combined with another linear unit SLE using either method, however direct mounting is almost always required for a linear drive SLM and linear unit SLE.

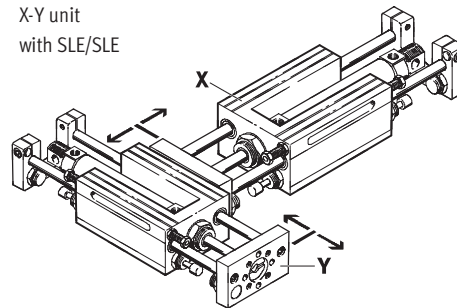
The centring pins and sleeves required to secure the units together are included in the scope of delivery.

Linear drive SLM
→ 1 / 3.2-14

with linear unit SLE

X	Y	Z
2 axes		
SLE-16	SLE-10	–
SLE-20	SLE-16	–
SLE-25	SLE-16	–
SLE-32	SLE-20 or SLE-25	–
SLE-40	SLE-32	–
SLE-50	SLE-40	–
3 axes		
SLE-20	SLE-16	SLE-10
SLE-25	SLE-16	SLE-10
SLE-32	SLE-20 or SLE-25	SLE-16
SLE-40	SLE-32	SLE-20 or SLE-25
SLE-50	SLE-40	SLE-32

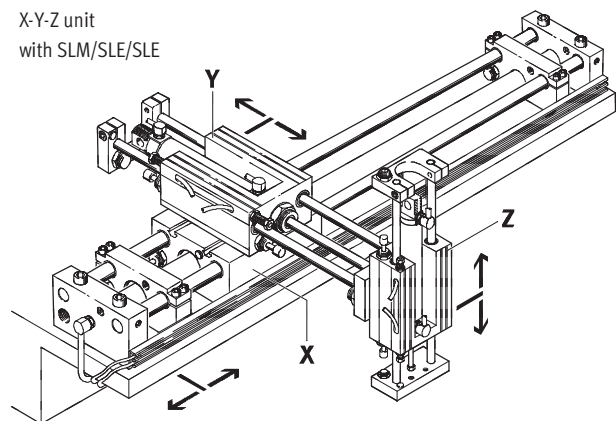
X-Y unit with SLE/SLE



with linear drive SLM

X	Y	Z
2 axes		
SLM-12	SLE-10	–
SLM-16 ¹⁾	SLE-10	–
SLM-20	SLE-16	–
SLM-25 ²⁾	SLE-16	–
SLM-32	SLE-20 or SLE-25	–
SLM-40	SLE-32	–
3 axes		
SLM-20	SLE-16	SLE-10
SLM-25 ²⁾	SLE-16	SLE-10
SLM-32	SLE-20 or SLE-25	SLE-16
SLM-40	SLE-32	SLE-20 or SLE-25

X-Y-Z unit with SLM/SLE/SLE



- 1) A mounting plate SLEP-10 (→ 1 / 6.2-141) is required for mounting (direct mounting is not possible).
- 2) A mounting plate SLEP-16 (→ 1 / 6.2-141) is required for mounting (direct mounting is not possible).

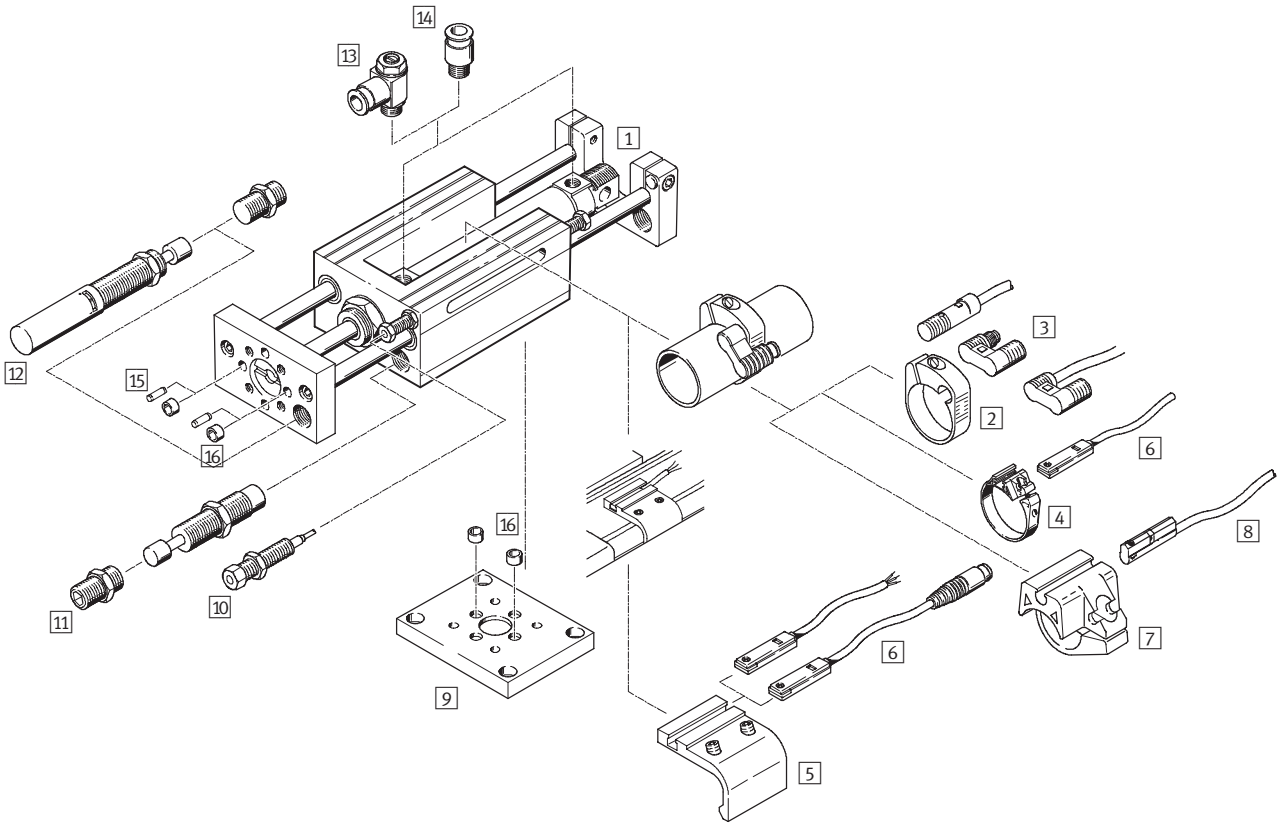
Linear units SLE

Peripherals overview



Drives with linear guides
Rod guides

6.2



Linear units SLE

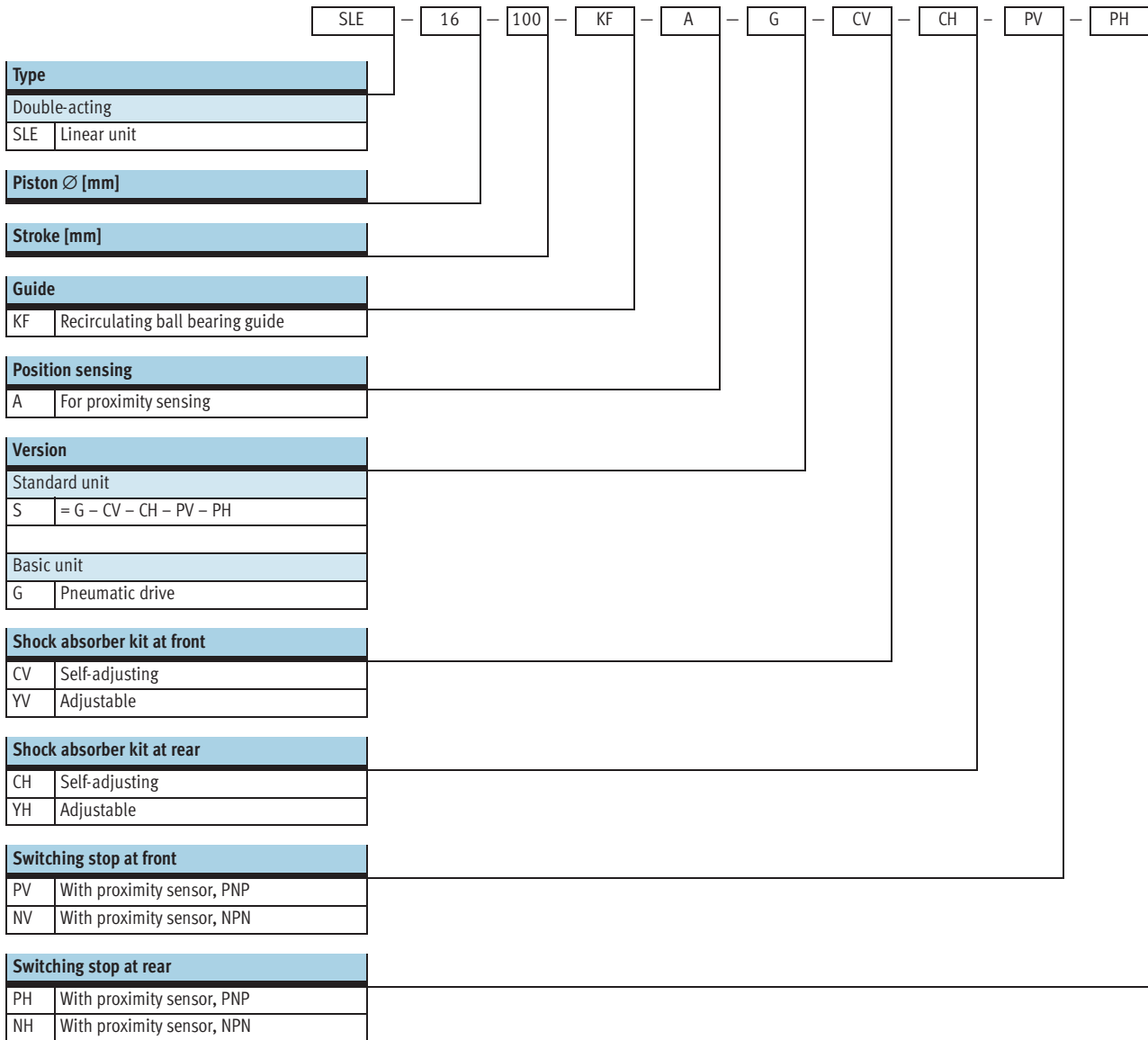
Peripherals overview

FESTO

Accessories					
	Brief description	Piston Ø 10 ... 20 mm	Piston Ø 25 mm	Piston Ø 32 ... 50 mm	→ Page
1	Standard cylinder DSNU	■	■	-	1 / 6.2-143
	Standard cylinder DNC	-	-	■	1 / 6.2-143
2	Mounting kit SMBR	■	■	-	1 / 6.2-143
3	Proximity sensor SMEO/SMT0-4U	■	■	-	1 / 6.2-143
4	Mounting kit SMBR-8	■	■	-	1 / 6.2-144
5	Mounting kit SMB-8-FENG	-	-	■	1 / 6.2-144
6	Proximity sensor SME/SMT-8	■	■	■	1 / 6.2-144
7	Mounting kit SMBR-10	■	■	-	1 / 6.2-145
8	Proximity sensor SME/SMT-10	■	■	-	1 / 6.2-145
9	Adapter plate SLEP	■	■	■	1 / 6.2-141
10	Switching stop with proximity sensor SL-...-SIE-PS/SL-...-SIE-NS	■	■	■	1 / 6.2-141
11	Shock absorber kit, self-adjusting SLE-...-YSR-C	■	■	■	1 / 6.2-140
12	Shock absorber kit, adjustable SLZ-...-KF-A	■ Ø 20	■	■	1 / 6.2-140
13	One-way flow control valve GRLA	■	■	■	1 / 6.2-146
14	Push-in fitting QS	■	■	■	Volume 3
15	Centring pin ZBS	■	-	-	1 / 6.2-142
16	Centring sleeve ZBH	-	■	■	1 / 6.2-142

Linear units SLE

Type code



Linear units SLE

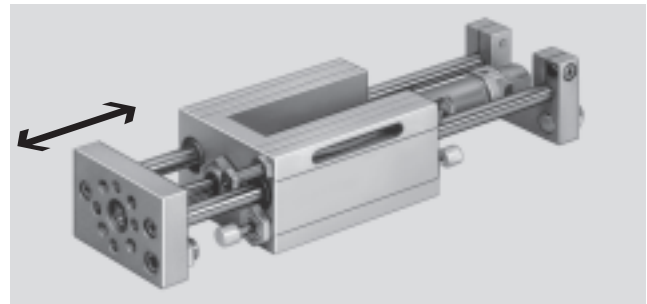
Technical data



FESTO

Function



www.festo.com/en/Spare_parts_service



-  Diameter
10 ... 50 mm
-  Stroke length
10 ... 500 mm

General technical data							
Piston \varnothing	10	16	20	25	32	40	50
Stroke [mm]	10 ... 100	10 ... 200	10 ... 320		10 ... 500		
Pneumatic connection	M5		G1/8		G1/4		
Mode of operation	Double-acting						
Constructional design	Linear unit						
	Standard cylinder						
End-position cushioning via shock absorber	Self-adjusting at both ends						Adjustable at both ends
	-						
Position sensing	For proximity sensing						
Type of mounting	Via through-holes						
	Via female thread						
Mounting position	Any						
Protection against torsion/guide	Guide rods with yoke/ball bearing guide						

Operating and environmental conditions							
Piston \varnothing	10	16	20	25	32	40	50
Operating medium	Filtered compressed air, lubricated or unlubricated						
Operating pressure [bar]	2.5 ... 10				1.5 ... 12		
Ambient temperature ¹⁾ [°C]	-20 ... +80						

1) Note operating range of proximity sensors.

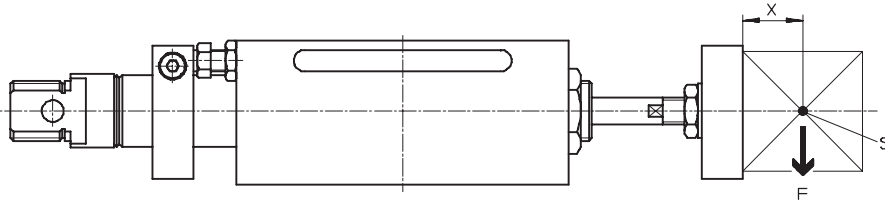
Forces [N]							
Piston \varnothing	10	16	20	25	32	40	50
Theoretical force at 6 bar, advancing	47	121	188	295	483	754	1178
Theoretical force at 6 bar, retracting	40	104	158	247	415	633	990

Linear units SLE

Technical data

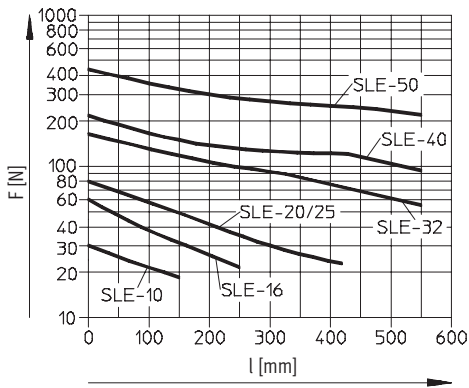


Permissible dynamic load

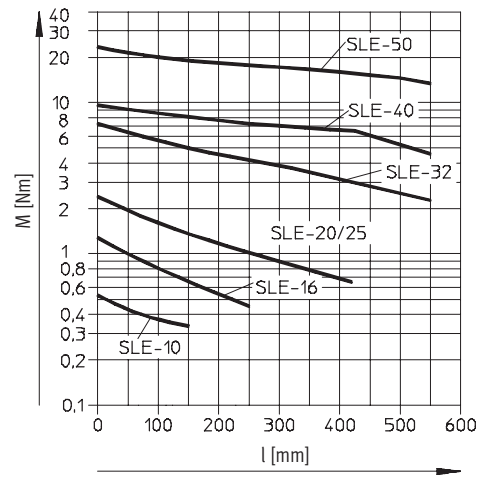


- S = Centre of gravity of load
- X = 25 mm
- F = Effective load

Permissible effective load F as a function of the stroke l



Permissible torque M as a function of the stroke l



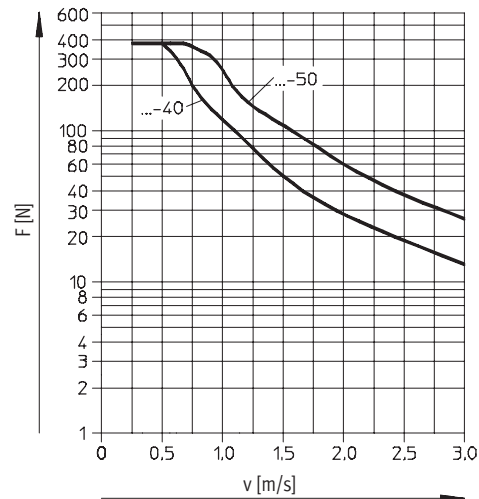
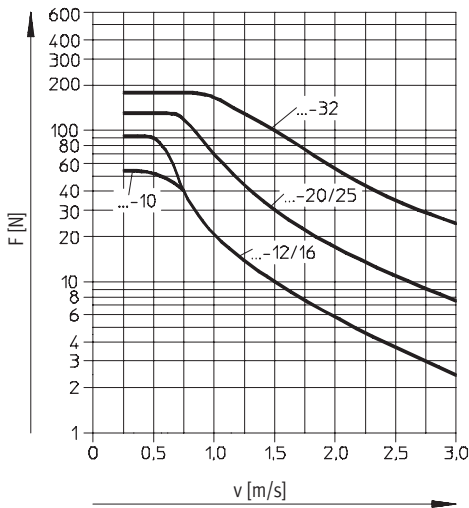
Permissible shock absorber load F as a function of the impact velocity v

with horizontal installation

$$F \geq m_L \times g$$

$$g = 9.81 \text{ N/mm}^2$$

$$m_L = \text{Load [kg]}$$



Linear units SLE

Technical data



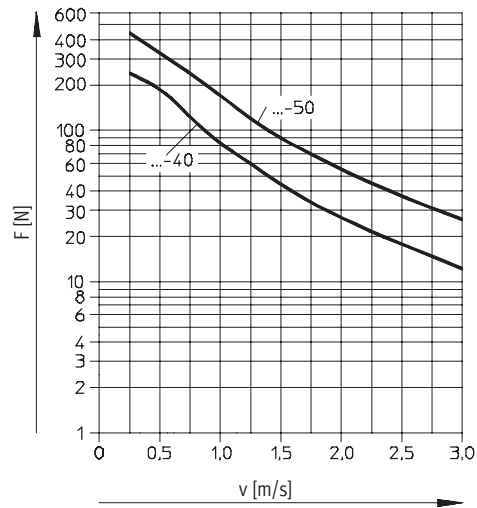
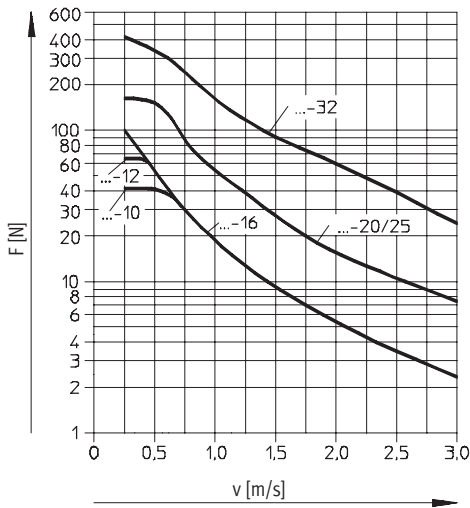
Permissible shock absorber load F as a function of the impact velocity v with vertical installation

$$F \geq (m_L + m_E) \times g$$

$$g = 9.81 \text{ N/mm}^2$$

m_E = Moving load (dead weight) [kg]

m_L = Load [kg]



Weights [g]							
Piston Ø	10	16	20	25	32	40	50
Product weight with 0 mm stroke	560	913	1882	1942	4300	6175	9200
Additional weight per 10 mm stroke	10	13	19	23	57	85	125
Moving load with 0 mm stroke	160	230	500	500	1500	2200	3600
Additional load per 10 mm stroke	8	8	12	12	31	49	77

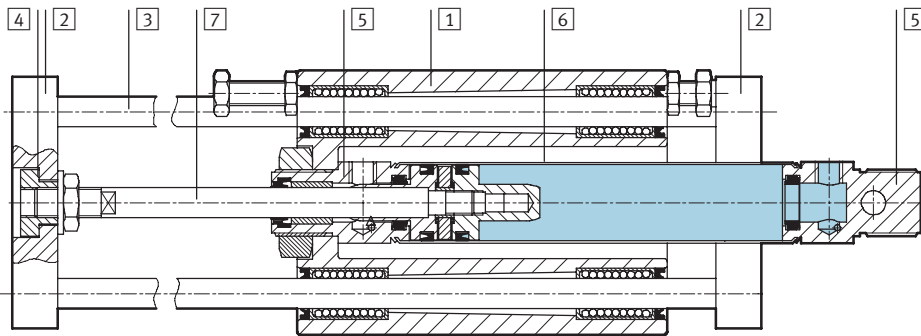
Linear units SLE

Technical data



Materials

Sectional view



Linear unit

1	Housing	∅ 10 ... 25	Die-cast aluminium
		∅ 32 ... 50	Wrought aluminium alloy
2	Yoke/end plate		Aluminium
3	Guide rod		Tempered steel
4	Coupling		Steel
5	Bearing and end caps	∅ 10 ... 25	Wrought aluminium alloy
		∅ 32 ... 50	Die-cast aluminium
6	Cylinder barrel	∅ 10 ... 25	High-alloy stainless steel
		∅ 32 ... 50	Wrought aluminium alloy
7	Piston rod	∅ 10 ... 25	High-alloy stainless steel
		∅ 32 ... 50	High-alloy steel
-	Seals		Polyurethane, nitrile rubber

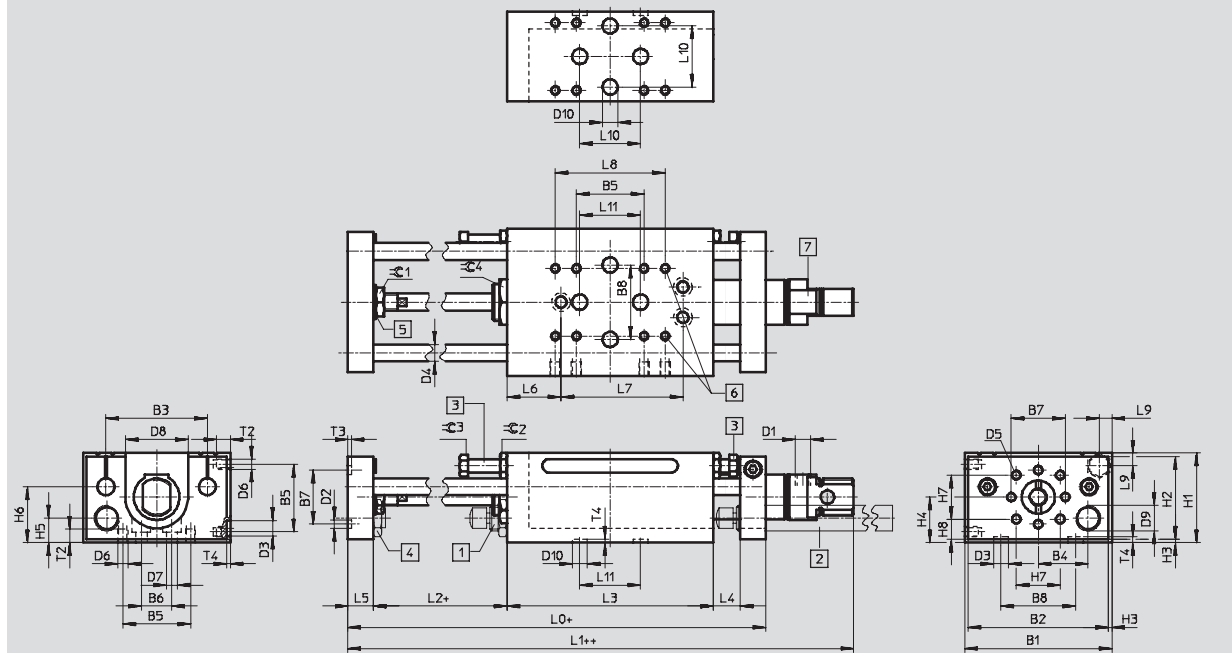
Linear units SLE

Technical data



Dimensions Download CAD data → www.festo.com/en/engineering

Piston Ø 16 ... 25 mm



- 1 Self-adjusting shock absorber, for front and rear mounting
 - 2 Adjustable shock absorber, can only be mounted to yoke at rear
 - 3 Switching stop with proximity sensor, PNP/NPN, for front and rear mounting
 - 4 Shock absorber stop
 - 5 Compensating coupling for radial and axial alignment
 - 6 Mounting thread
 - 7 Drive DSNU
- + = plus stroke length
++ = plus 2x stroke length

Ø	B1	B2	B3	B4	B5	B6	B7	B8	D1	D2	D3	D4	D5	D6	D7
[mm]										Ø	Ø	Ø			Ø
16	64	60	44	22	26	14	28	40	M5	5	9	8	M6	M5	5.5
20	87	83	60	29.5	40	18	32	40	G½	5	9	10	M6	M6	6.6
25	87	83	60	29.5	40	18	32	40	G½	5	9	10	M6	M6	6.6

Ø	D8	D9	D10	H1	H2	H3	H4	H5	H6	H7	H8	L0	L1	L2	L3
[mm]	Ø		Ø												
16	26	M10x0.75	5	43	39	2	22	10	25	19	10.5	143	116	21	86
20	37	M15x1	9	53	49	2	27	14.5	33	26	12	197	145.5	29	122
25	37	M15x1	9	53	49	2	27	14.5	33	26	12	197	149	29	122

Ø	L4	L5	L6	L7	L8	L9	L10	L11	T2	T3	T4	≈C1	≈C2	≈C3	≈C4
[mm]															
16	12	12	21	54	40	6	-	32	7	2	2	10	10	8	19
20	16	15	32	72	65	7.5	40	40	8	2	2.1	17	13	11	27
25	16	15	32	72	65	7.5	40	40	8	2	2.1	17	13	11	27

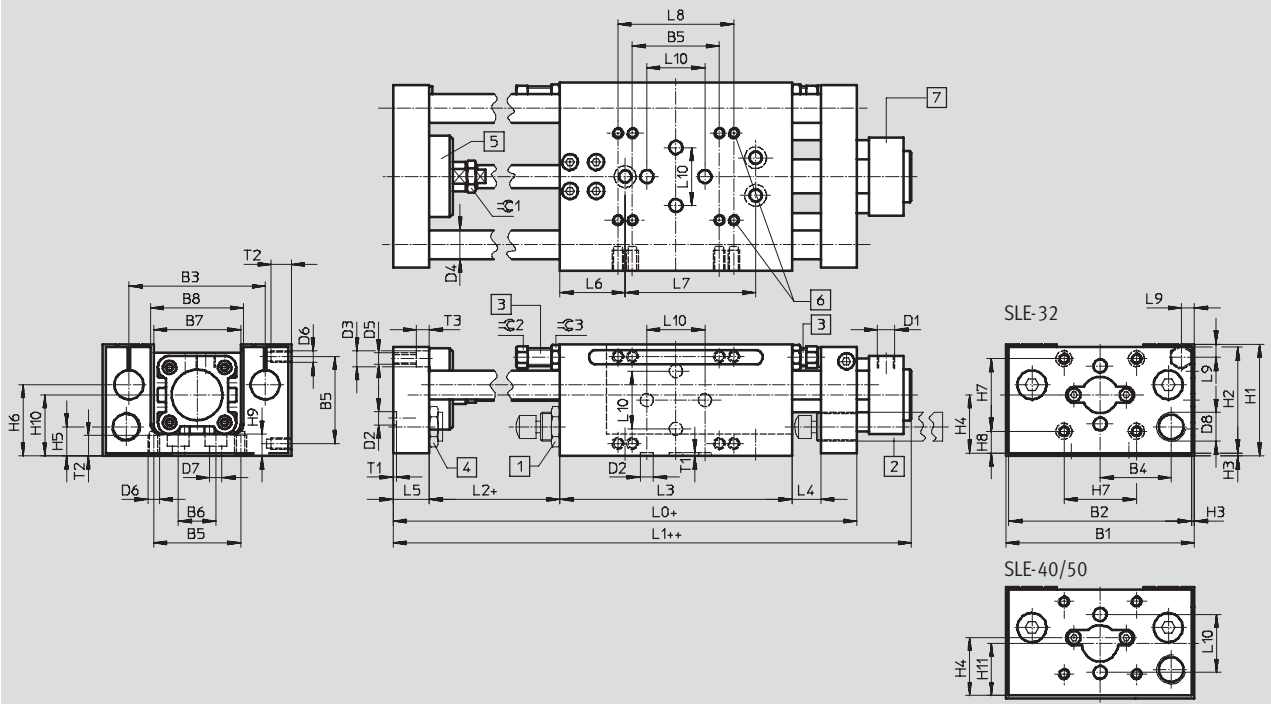
Linear units SLE

Technical data



Dimensions Download CAD data → www.festo.com/en/engineering

Piston \varnothing 32 ... 50 mm



- | | | |
|---|---|---|
| 1 Self-adjusting shock absorber, for front and rear mounting | 3 Switching stop with proximity sensor, PNP/NPN, for front and rear mounting | 5 Compensating coupling for radial and axial alignment |
| 2 Adjustable shock absorber, can only be mounted to yoke at rear | 4 Shock absorber stop | 6 Mounting thread |
| | | 7 Drive DNC |
- + = plus stroke length
++ = plus 2x stroke length

\varnothing	B1	B2	B3	B4	B5	B6	B7	B8	D1	D2	D3	D4	D5	D6	D7
[mm]			± 0.03							\varnothing	\varnothing	\varnothing			\varnothing
32	115	111	84	41.5	50	26	52	55	G $\frac{1}{8}$	9	11	16	M8	M6	8.4
40	130	126	94	49	60	26	60	64	G $\frac{1}{4}$	9	11	20	M8	M8	8.4
50	154	150	113	58	60	30	72	76	G $\frac{1}{4}$	9	15	25	M10	M8	8.4

\varnothing	D8	H1	H2	H3	H4	H5	H6	H7	H8	H9	H10	H11	L0	L1
[mm]							± 0.1							
32	M20x1.25	70	66	2	38.5	17	43	40	18.5	14	40.5	38.5	250	172
40	M20x1.25	77	73	2	44	20	49	50	15	14	46	40	260	197.5
50	M24x1.25	90	86	2	51.5	19	52	60	16.5	16	53.5	46.5	305	226

\varnothing	L2	L3	L4	L5	L6	L7	L8	L9	L10	T1	T2	T3	$\approx C1$	$\approx C2$	$\approx C3$
[mm]									± 0.03	+0.2					
32	30	160	20	20	45	90	75	9	40	2.1	10	7.3	17	13	15
40	30	160	20	25	45	90	80	9	40	2.1	14	9	19	13	15
50	38	192	25	25	66	90	80	10	40	2.1	14	11	24	13	15

Linear units SLE

Ordering data – Modular products



Mandatory data							Options			
Module No.	Drive function	Size	Stroke	Guide	Position sensing	Basic unit	Shock absorber at front	Shock absorber at rear	Sensor at front	Sensor at rear
150 088	SLE	10	10 ... 500	KF	A	G	CV	CH	PV	PH
150 090		16					YV	YH	NV	NH
150 091		20								
150 092		25								
150 093		32								
150 094		40								
150 921		50								
Ordering example										
150 090	SLE	- 16	- 190	- KF	- A	- G	- YV	- YH	- PV	- PH

Ordering table												
Size	10	16	20	25	32	40	50	Condi- tions	Code	Enter code		
M Module No.	150 088	150 090	150 091	150 092	150 093	150 094	150 921					
Drive function	Linear unit								SLE	SLE		
Size [mm]	10	16	20	25	32	40	50		-...			
Stroke [mm]	10 ... 100	10 ... 200	10 ... 320		10 ... 500				-...			
Guide	Via ball bearings								-KF	-KF		
Position sensing	For proximity sensing								-A	-A		
Basic unit	Linear unit with pneumatic drive								-G	-G		
O Shock absorber	at front	Self-adjusting shock absorber, with stop at front								-CV		
		Adjustable shock absorber, with stop at front								-YV		
	at rear	Self-adjusting shock absorber, with stop at rear								-CH		
		Adjustable shock absorber, with stop at rear								-YH		
Sensor (bonded)	at front	Inductive sensor with 2.5 m cable, PNP, with stop sleeve at front								-PV		
		Inductive sensor with 2.5 m cable, NPN, with stop sleeve at front								-NV		
	at rear	Inductive sensor with 2.5 m cable, PNP, with stop sleeve at rear								-PH		
		Inductive sensor with 2.5 m cable, NPN, with stop sleeve at rear								-NH		

Transfer order code

Linear units SLE

Ordering data – Modular products, package solution



Mandatory data						
Module No.	Drive function	Size	Stroke	Guide	Position sensing	Standard unit
150 088	SLE	10	10 ... 500	KF	A	S
150 090		16				
150 091		20				
150 092		25				
150 093		32				
150 094		40				
150 921		50				
Ordering example						
150 093	SLE	- 32	- 450	- KF	- A	- S

Ordering table										
Size	10	16	20	25	32	40	50	Condi- tions	Code	Enter code
M Module No.	150 088	150 090	150 091	150 092	150 093	150 094	150 921			
Drive function	Linear unit								SLE	SLE
Size [mm]	10	16	20	25	32	40	50		-...	
Stroke [mm]	10 ... 100	10 ... 200	10 ... 320		10 ... 500				-...	
Guide	Via ball bearings								-KF	-KF
Position sensing	For proximity sensing								-A	-A
Standard unit	Package solution S = G-CV-CH-PV-PH								-S	-S

Transfer order code

	SLE	-		-		-	KF	-	A	-	S
--	------------	---	--	---	--	---	-----------	---	----------	---	----------

Linear units SLE

Accessories



**Shock absorber kit
SLE...-YSR-C, self-adjusting**
(order code CV, CH)

Material:
YSR-8-8-C: Nickel-plated brass
YSR-12-12-C, YSR-16-20-C,
YSR-20-25-C: Galvanised steel
Free of copper, PTFE and silicone



Ordering data			
For Ø [mm]	including shock absorber → 1 / 9.0-2	Part No.	Type
10	YSR-8-8-C	116 246	SLE-10-YSR-C
16	YSR-8-8-C	116 247	SLE-16-YSR-C
20, 25	YSR-12-12-C	116 248	SLE-20/25-YSR-C
32	YSR-16-20-C	116 249	SLE-32-YSR-C
40	YSR-16-20-C	116 250	SLE-40-YSR-C
50	YSR-20-25-C	118 698	SLE-50-YSR-C

**Shock absorber kit
SLZ...-KF-A, adjustable**
(order code YV, YH)

Material:
Galvanised steel



Ordering data			
For Ø [mm]	including shock absorber → 1 / 9.0-2	Part No.	Type
20, 25	YSR-12-12	114 032	SLZ-25-KF-A
32, 40	YSR-16-20	114 033	SLZ-32-KF-A
50	YSR-20-25	114 034	SLZ-50-KF-A

Linear units SLE

Accessories



Switching stop SL-...-SIE-PS

(order code PV, PH)

Kit with inductive proximity sensor
PNP

Switching stop SL-...-SIE-NS

(order code NV, NH)

Kit with inductive proximity sensor
NPN



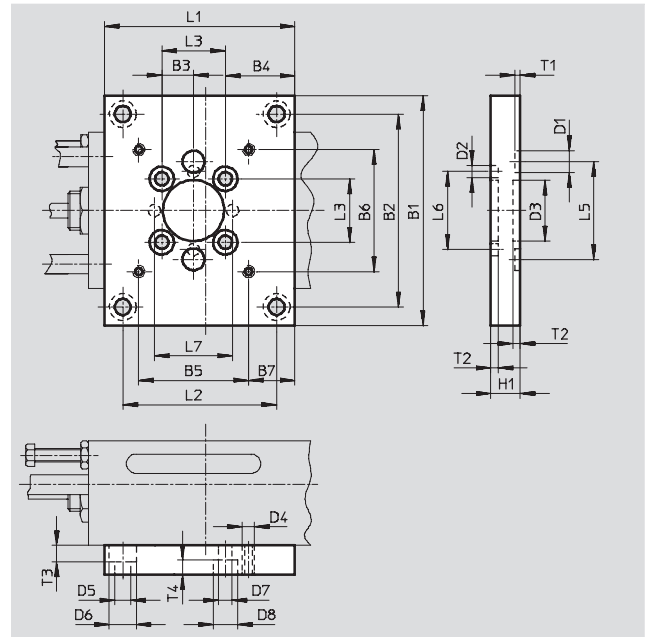
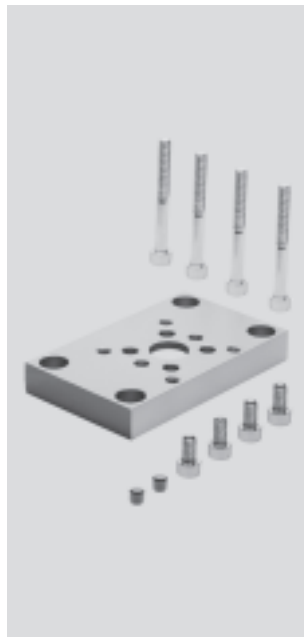
Ordering data				
For \varnothing [mm]	Switch output	including proximity sensor → Volume 4	Part No.	Type
10, 16	PNP	SIEN-4B-PS-K-L	116 251	SL-10/16-SIE-PS
	NPN	SIEN-4B-NS-K-L	116 252	SL-10/16-SIE-NS
20, 25	PNP	SIEN-4B-PS-K-L	116 253	SL-20/25-SIE-PS
	NPN	SIEN-4B-NS-K-L	116 254	SL-20/25-SIE-NS
32, 40, 50	PNP	SIEN-6,5B-PS-K-L	117 525	SL-32/50-SIE-PS
	NPN	SIEN-6,5B-NS-K-L	117 526	SL-32/50-SIE-NS

Adapter plate SLEP

for piston \varnothing 10, 16 mm

Material:

Wrought aluminium alloy



Dimensions and ordering data																		
For \varnothing [mm]	B1	B2	B3	B4	B5	B6	B7	D1 \varnothing H7	D2 \varnothing H7	D3 \varnothing G7	D4	D5 \varnothing	D6 \varnothing	D7 \varnothing	D8 \varnothing	H1	L1	L2
10	82	68	9.5	20	32	32	13.5	9	5	14	M5	5.5	10	5.5	10	12	50	36
16	94	79	13	23.5	45	26	14	9	5	25	M5	6.6	11	5.5	10	12	73	58

For \varnothing [mm]	L3	L5	L6	L7	T1	T2	T3	T4	Weight [g]	Part No.	Type
10	19	40	28	-	2.1	3	5.7	6.7	122	150 909	SLEP-10
16	26	40	32	32	2.1	3	6.8	6.7	205	150 910	SLEP-16

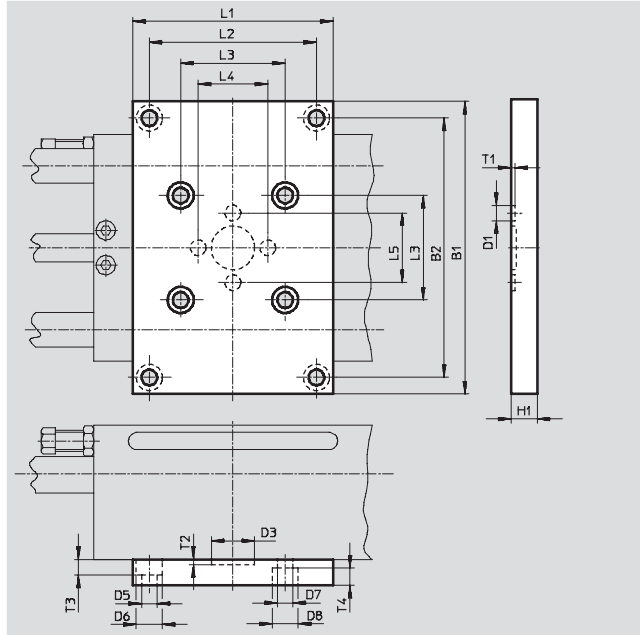
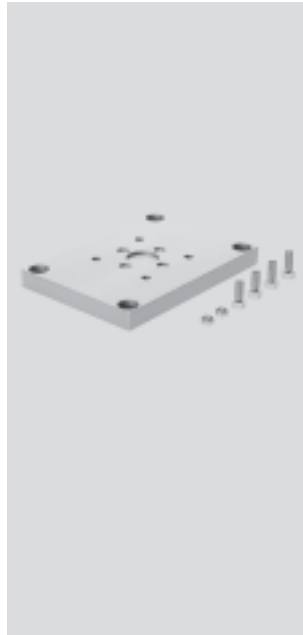
Linear units SLE

Accessories



Adapter plate SLEP for piston \varnothing 20 ... 50 mm

Material:
Wrought aluminium alloy





Drives with linear guides
Rod guides

6.2

Dimensions and ordering data											
For \varnothing	B1	B2	D1	D3	D5	D6	D7	D8	H1	L1	L2
[mm]			\varnothing H7	\varnothing G7	\varnothing	\varnothing	\varnothing	\varnothing			
20, 25	117	102	9	25	6.6	11	6.6	11	12	83	68
32	153	134	9	25	9	15	6.6	11	15	108	89
40	168	149	9	25	9	15	9	15	15	115	96
50	192	173	9	25	9	15	9	15	15	128	109

For \varnothing	L3	L4	L5	T1	T2	T3	T4	Weight	Part No.	Type
[mm]								[g]		
20, 25	40	40	40	2.1	3	6.8	7.5	307	150 911	SLEP-25
32	50	40	40	2.1	3	9	8	685	150 912	SLEP-32
40	60	40	40	2.1	3	9	10	734	150 913	SLEP-40
50	60	40	40	2.1	3	9	10	1050	150 923	SLEP-50


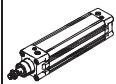
Ordering data – Accessories					
	For \varnothing	Material	Part No.	Type	PU ¹⁾
	[mm]				
Centring pin ZBS Technical data → 1 / 10.1-18					
	10 ... 20	Stainless steel Free of copper, PTFE and silicone	150 928	ZBS-5	10
Centring sleeve ZBH Technical data → 1 / 10.1-18					
	25 ... 50	Stainless steel Free of copper, PTFE and silicone	150 927	ZBH-9	10


1) Packaging unit quantity


Linear units SLE

Accessories



Ordering data – Standard cylinders				Technical data DSNU → 1 / 1.1-2			
				Technical data DNC → 1 / 1.2-22			
Designation	For Ø	Part No.	Type	Designation	For Ø	Part No.	Type
Standard cylinder DSNU				Standard cylinder DNC			
	10	14 325	DSNU-10-...-P-A		32	163 304	DNC-32-...-PPV-A
	16	14 320	DSNU-16-...-PPV-A		40	163 336	DNC-40-...-PPV-A
	20	14 321	DSNU-20-...-PPV-A		50	163 368	DNC-50-...-PPV-A
	25	14 322	DSNU-25-...-PPV-A				

Ordering data – Proximity sensors, round design, magneto-resistive						Technical data → www.festo.com/catalogue/sm	
Mounting	Switch output	Electrical connection		Cable length [m]	Connection direction	Part No.	Type
		Cable	Plug M8				
Normally open contact							
	Via accessories	PNP	3-wire	–	2.5	In-line	152 836 SMT0-4U-PS-K-LED-24
			–	3-pin	–	In-line	152 742 SMT0-4U-PS-S-LED-24
		NPN	3-wire	–	2.5	In-line	152 837 SMT0-4U-NS-K-LED-24
			–	3-pin	–	In-line	152 743 SMT0-4U-NS-S-LED-24

Ordering data – Proximity sensors, round design, magnetic reed						Technical data → www.festo.com/catalogue/sm	
Mounting	Electrical connection		Cable length [m]	Connection direction	Part No.	Type	
	Cable	Plug M8					
Normally open contact							
	Via accessories	3-wire	–	2.5	In-line	36 198 SMEO-4U-K-LED-24	
			5	In-line	175 401 SMEO-4U-K5-LED-24		
		–	3-pin	–	In-line	151 526 SMEO-4U-S-LED-24-B	

Ordering data – Mounting kit for proximity sensor SMEO/SMT0-4			Technical data → www.festo.com/catalogue/snbr	
For Ø	Part No.	Type		
10	19 273	SMBR-10		
16	19 275	SMBR-16		
20	19 276	SMBR-20		
25	19 277	SMBR-25		

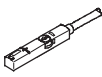
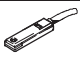
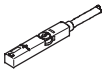
Linear units SLE

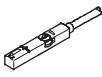
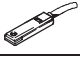
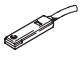
Accessories


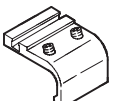
FESTO

Drives with linear guides
Rod guides

6.2

Ordering data – Proximity switches for T-slot, magneto-resistive					Technical data → www.festo.com/catalogue/sm	
	Type of mounting	Switch output	Electrical connection	Cable length [m]	Part No.	Type
N/O contact						
	Insertable in the slot from above, flush with cylinder profile	PNP	Cable, 3-wire	2,5	543 867	SMT-8M-PS-24V-K-2,5-OE
			Plug M8x1, 3-pin	0,3	543 866	SMT-8M-PS-24V-K-0,3-M8D
			Plug M12x1, 3-pin	0,3	543 869	SMT-8M-PS-24V-K-0,3-M12
		NPN	Cable, 3-wire	2,5	543 870	SMT-8M-NS-24V-K-2,5-OE
Plug M8x1, 3-pin	0,3		543 871	SMT-8M-NS-24V-K-0,3-M8D		
	Insertable in the slot lengthwise, flush with the cylinder profile	PNP	Cable, 3-wire	2,5	175 436	SMT-8-PS-K-LED-24-B
			Plug M8x1, 3-pin	0,3	175 484	SMT-8-PS-S-LED-24-B
N/C contact						
	Insertable in the slot from above, flush with cylinder profile	PNP	Cable, 3-wire	7,5	543 873	SMT-8M-PO-24V-K7,5-OE

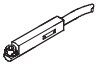
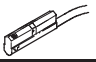
Ordering data – Proximity switches for T-slot, magnetic reed					Technical data → www.festo.com/catalogue/sm	
	Type of mounting	Switch output	Electrical connection	Cable length [m]	Part No.	Type
N/O contact						
	Insertable in the slot from above, flush with cylinder profile	Contacting	Cable, 3-wire	2,5	543 862	SME-8M-DS-24V-K-2,5-OE
				5,0	543 863	SME-8M-DS-24V-K-5,0-OE
			Cable, 3-wire	2,5	543 872	SME-8M-ZS-24V-K-2,5-OE
			Plug M8x1, 3-pin	0,3	543 861	SME-8M-DS-24V-K-0,3-M8D
	Insertable in the slot lengthwise, flush with the cylinder profile	Contacting	Cable, 3-wire	2,5	150 855	SME-8-K-LED-24
			Plug M8x1, 3-pin	0,3	150 857	SME-8-S-LED-24
N/C contact						
	Insertable in the slot lengthwise, flush with the cylinder profile	Contacting	Cable, 3-wire	7,5	160 251	SME-8-O-K-LED-24

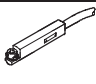
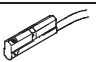
Ordering data – Mounting kit for proximity sensor SME/SMT-8				Technical data → www.festo.com/catalogue/smb			
	For Ø	Part No.	Type		For Ø	Part No.	Type
	10	175 092	SMBR-8-10		32	175 705	SMB-8-FENG-32/40
	16	175 094	SMBR-8-16		40		
	20	175 095	SMBR-8-20		50	175 706	SMB-8-FENG-50/63
	25	175 096	SMBR-8-25				

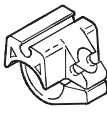
Linear units SLE



Accessories

FESTO

Ordering data – Proximity switches for C-slot, magneto-resistive					Technical data → www.festo.com/catalogue/sm	
	Type of mounting	Switch output	Electrical connection, connection direction	Cable length [m]	Part No.	Type
N/O contact						
	Insertable in the slot from above, flush with cylinder profile	PNP	Cable, 3-wire, in-line	2,5	525 915	SMT-10F-PS-24V-K2,5L-OE
			Plug M8x1, 3-pin, in-line	0,3	525 916	SMT-10F-PS-24V-K0,3L-M8D
			Plug M8x1, 3-pin, lateral	0,3	526 675	SMT-10F-PS-24V-K0,3Q-M8D
	Insertable in the slot lengthwise	PNP	Plug M8x1, 3-pin, in-line	0,3	173 220	SMT-10-PS-SL-LED-24
			Cable, 3-wire, in-line	2,5	173 218	SMT-10-PS-KL-LED-24

Ordering data – Proximity switches for C-slot, magnetic reed					Technical data → www.festo.com/catalogue/sm	
	Type of mounting	Switch output	Electrical connection, connection direction	Cable length [m]	Part No.	Type
N/O contact						
	Insertable in the slot from above, flush with cylinder profile	Contacting	Plug M8x1, 3-pin, in-line	0,3	525 914	SME-10F-DS-24V-K0,3L-M8D
			Cable, 3-wire, in-line	2,5	525 913	SME-10F-DS-24V-K2,5L-OE
			Cable, 2-wire, in-line	2,5	526 672	SME-10F-ZS-24V-K2,5L-OE
	Insertable in the slot lengthwise	Contacting	Plug M8x1, 3-pin, in-line	0,3	173 212	SME-10-SL-LED-24
			Cable, 3-wire, in-line	2,5	173 210	SME-10-KL-LED-24

Ordering data – Mounting kit for proximity sensor SME/SMT-10			Technical data → www.festo.com/catalogue/snbr	
	For Ø		Part No.	Type
	10		173 227	SMBR-10-10
	16		173 228	SMBR-10-16
	20		175 103	SMBR-10-20
	25		175 104	SMBR-10-25

Ordering data – Connecting cables				Technical data → www.festo.com/catalogue/nebu	
	Electrical connection, left	Electrical connection, right	Cable length [m]	Part No.	Type
	Straight socket, M8x1, 3-pin	Cable, open end, 3-wire	2,5	541 333	NEBU-M8G3-K-2.5-LE3
			5	541 334	NEBU-M8G3-K-5-LE3
	Straight socket, M12x1, 5-pin	Cable, open end, 3-wire	2,5	541 363	NEBU-M12G5-K-2.5-LE3
			5	541 364	NEBU-M12G5-K-5-LE3
	Angled socket, M8x1, 3-pin	Cable, open end, 3-wire	2,5	541 338	NEBU-M8W3-K-2.5-LE3
			5	541 341	NEBU-M8W3-K-5-LE3
	Angled socket, M12x1, 5-pin	Cable, open end, 3-wire	2,5	541 367	NEBU-M12W5-K-2.5-LE3
			5	541 370	NEBU-M12W5-K-5-LE3


Drives with linear guides
Rod guides

6.2

Linear units SLE

Accessories



Ordering data – One-way flow control valves			Technical data → Volume 2		
	Connection		Material	Part No.	Type
	Thread	For tubing OD			
	M5	3	Metal design	193 137	GRLA-M5-QS-3-D
		4		193 138	GRLA-M5-QS-4-D
		6		193 139	GRLA-M5-QS-6-D
	G $\frac{1}{8}$	3		193 142	GRLA- $\frac{1}{8}$ -QS-3-D
		4		193 143	GRLA- $\frac{1}{8}$ -QS-4-D
		6		193 144	GRLA- $\frac{1}{8}$ -QS-6-D
		8		193 145	GRLA- $\frac{1}{8}$ -QS-8-D
	G $\frac{1}{4}$	6		193 146	GRLA- $\frac{1}{4}$ -QS-6-D
		8		193 147	GRLA- $\frac{1}{4}$ -QS-8-D
		10		193 148	GRLA- $\frac{1}{4}$ -QS-10-D

Drives with linear guides
Rod guides

6.2