


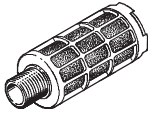








- Simple screw-in attachment
- Compact design
- High flow rates
- Wide choice of threads

Silencers U/UC

Product range overview

FESTO

Design	Type	Connection D1		For tubing I.D.	Push-in sleeve Ø	Noise level [dB (A)]	Free of copper, PTFE and silicone	→ Page
		M thread	G thread					
Sintered metal								
	U-PK-3	-	-	3	-	< 70	-	3 / 6.1-3
	U-PK-4	-	-	4	-	< 74		
	U-M3	M3	-	-	-	< 65		
	U-M5	M5	-	-	-	< 70		
Polymer								
	U-1/8	-	G1/8	-	-	< 77	■	3 / 6.1-4
	U-1/4	-	G1/4	-	-	< 77		
	U-3/8	-	G3/8	-	-	< 82		
	U-1/2	-	G1/2	-	-	< 80		
	U-3/4	-	G3/4	-	-	< 83		
	U-1	-	G1	-	-	< 84		
Die-cast metal								
	U-1/8-B	-	G1/8	-	-	< 74	■	3 / 6.1-4
	U-1/4-B	-	G1/4	-	-	< 79		
	U-3/8-B	-	G3/8	-	-	< 80		
	U-1/2-B	-	G1/2	-	-	< 80		
	U-3/4-B	-	G3/4	-	-	< 81		
	U-1-B	-	G1	-	-	< 82		
Push-in sleeve for push-in fitting QS, Quick Star								
	UC-QS-3H	-	-	-	3	< 60	-	3 / 6.1-5
	UC-QS-4H	-	-	-	4	< 60		
	UC-QS-6H	-	-	-	6	< 60		
	UC-QS-8H	-	-	-	8	< 60		
	UC-QS-10H	-	-	-	10	< 68		
For solenoid valves CPE, Compact Performance								
	UC-M5	M5	-	-	-	< 60	-	3 / 6.1-5
	UC-M7	M7	-	-	-	< 58		
	UC-1/8	-	G1/8	-	-	< 59		
	UC-1/4	-	G1/4	-	-	< 60		
For vacuum generators VN								
	UO-M7	M7	-	-	-	-	■	Volume 6
	UO-1/8	-	G1/8	-	-	-		
	UO-1/4	-	G1/4	-	-	-		
Filter silencer								
	LFU-1/2	-	G1/2	-	-	< 40	■	3 / 4.3-11
	LFU-1	-	G1	-	-	< 40		

-  - Note

Clean silencers with kerosene or benzene (not with trichloroethylene).

Silencers U

Technical data



Silencer U

Compact design

Operating pressure:

U-PK/U-M5: 0 ... 8 bar

U-M3: 0 ... 10 bar

Temperature range:

-10 ... +70 °C

(note operating range of tubing used)

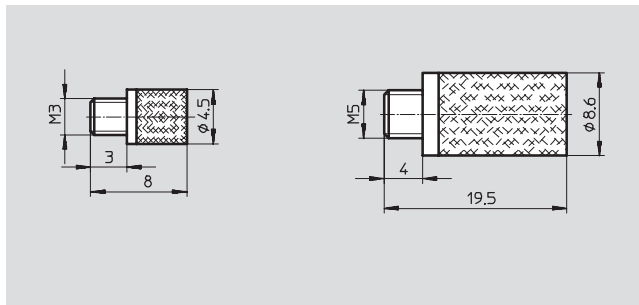
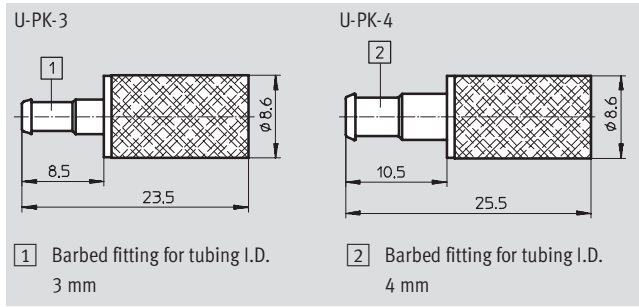
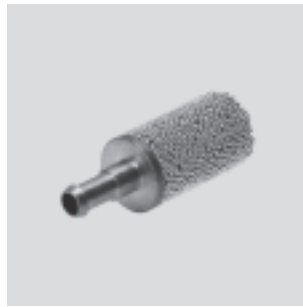
Material:

Threaded collar: Brass

Silencer insert:

U-PK/U-M5: Brass

U-M3: Bronze



Technical data and ordering data							
Pneumatic connection	Noise level ¹⁾	Nominal size	Standard nominal flow rate	Weight	Part No.	Type	PU*
	[dB (A)]						
PK-3	< 70	2.5	290	5	4 646	U-PK-3	10
PK-4	< 74	3.4	600	5	4 932	U-PK-4	10
M3	< 65	1.5	110 ²⁾	4	163 978	U-M3	10
M5	< 70	2.5	320 ³⁾	5	4 645	U-M5	10
					534 221	U-M5-50	50

1) At 6 bar with respect to atmosphere at a distance of 1 m

2) At 7 bar at inlet with respect to atmosphere

3) At 6 bar at inlet with respect to atmosphere

* Packaging unit quantity

Silencers U

Technical data

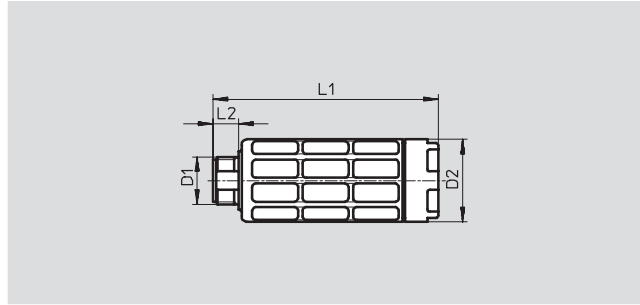


Silencer U

Plastic version

Operating pressure: 0 ... 10 bar
Temperature range: -10 ... +70 °C

Material:
Housing: Polyacetal
Silencer insert: Polyethylene
Free of copper, PTFE and silicone



Technical data, dimensions and ordering data										
Pneumatic connection D1	Noise level ¹⁾ [dB (A)]	Nominal size [mm]	Standard nominal flow rate ²⁾ [l/min]	Weight [g]	D2 ∅	L1	L2	Part No.	Type	PU*
G ¹ / ₈	< 77	6.4	2050	2	15.2	35.9	5.5	2 307	U- ¹ / ₈	1
								534 222	U- ¹ / ₈ -50	50
G ¹ / ₄	< 77	8	3400	8	19	57	6.5	2 316	U- ¹ / ₄	1
								534 223	U- ¹ / ₄ -20	20
G ³ / ₈	< 82	11	5900	30	33.5	78.8	7.5	2 309	U- ³ / ₈	1
								534 224	U- ³ / ₈ -20	20
G ¹ / ₂	< 80	15	10600	58	43	88.1	9	2 310	U- ¹ / ₂	1
								534 225	U- ¹ / ₂ -20	20
G ³ / ₄	< 83	18.6	15000	83	45	120.7	10.5	2 311	U- ³ / ₄	1
G1	< 84	22	19900	140	55	126.5	11.5	2 312	U-1	1

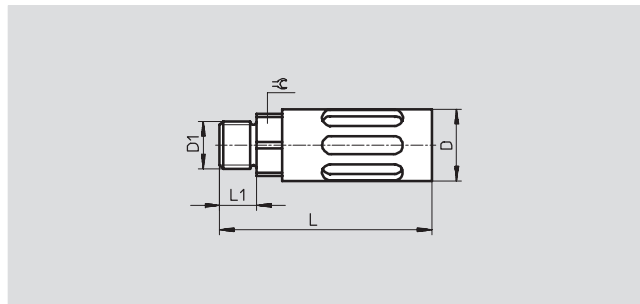
- 1) At 6 bar with respect to atmosphere at a distance of 1 m
2) At 7 bar at inlet with respect to atmosphere
* Packaging unit quantity

Silencer U...-B

Die-cast version

Operating pressure: 0 ... 10 bar
Temperature range: -10 ... +70 °C

Material:
Housing: Die-cast aluminium
Silencer insert: Polyethylene
Free of copper, PTFE and silicone



Technical data, dimensions and ordering data										
Pneumatic connection D1	Noise level ¹⁾ [dB (A)]	Nominal size [mm]	Standard nominal flow rate ²⁾ [l/min]	Weight [g]	D ∅	L	L1	≅	Part No.	Type
G ¹ / ₈	< 74	5.3	1450	8	16	39.2	5.5	14	6 841	U- ¹ / ₈ -B
G ¹ / ₄	< 79	7.5	3000	17	19.5	55.6	6.5	17	6 842	U- ¹ / ₄ -B
G ³ / ₈	< 80	9	4500	37	25	86.6	7.5	19	6 843	U- ³ / ₈ -B
G ¹ / ₂	< 80	14	6500	75	28	116.5	9	24	6 844	U- ¹ / ₂ -B
G ³ / ₄	< 81	17	11000	120	38	138	10.5	32	6 845	U- ³ / ₄ -B
G1	< 82	23.5	17300	233	47.8	177	11.5	36	151 990	U-1-B

- 1) At 6 bar with respect to atmosphere at a distance of 1 m
2) At 7 bar at inlet with respect to atmosphere

Silencers UC

Technical data

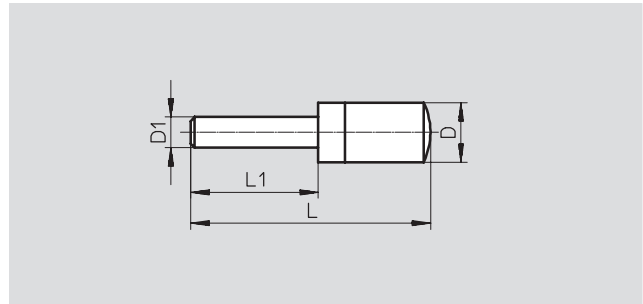


Silencer UC-QS

with push-in sleeve for push-in fitting
QS, Quick Star

Operating pressure: 0 ... 10 bar
Temperature range: -10 ... +70 °C

Material:
Threaded collar: Polyethylene
Silencer insert: Polyethylene



Technical data, dimensions and ordering data									
Push-in sleeve Ø D1	Noise level ¹⁾ [dB (A)]	Nominal size [mm]	Standard nominal flow rate ²⁾ [l/min]	Weight [g]	D Ø	L	L1	Part No.	Type
3	< 60	2.1	170	4	7.8	29.1	14.4	165 005	UC-QS-3H
4	< 60	2.9	350	5	7.8	31.4	16.7	165 006	UC-QS-4H
6	< 60	4.2	800	11	9.8	41.3	17.2	165 007	UC-QS-6H
8	< 60	6.4	1500	23	13.8	54.4	23.4	175 611	UC-QS-8H
10	< 68	7.6	3100	55	17.8	68.7	26.7	526 475	UC-QS-10H

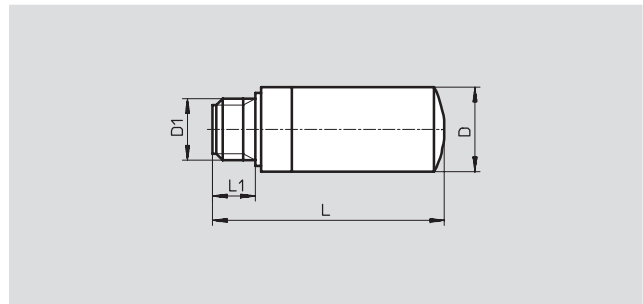
- 1) At 6 bar with respect to atmosphere at a distance of 1 m
2) At 7 bar at inlet with respect to atmosphere

Silencer UC

for solenoid valves CPE,
Compact Performance

Operating pressure: 0 ... 10 bar
Temperature range: -10 ... +70 °C

Material:
Threaded collar: Polyethylene
Silencer insert: Polyethylene



Technical data, dimensions and ordering data										
Pneumatic connection D1	Noise level ¹⁾ [dB (A)]	Nominal size [mm]	Standard nominal flow rate ²⁾ [l/min]	Weight [g]	D Ø	L	L1	Part No.	Type	PU*
M5	< 60	2.9	350	4	7.8	19.4	4.5	165 003	UC-M5	1
								534 217	UC-M5-50	50
M7	< 58	4.2	800	9	9.8	30	5.5	161 418	UC-M7	1
								534 218	UC-M7-50	50
G ¹ / ₈	< 59	6.4	1700	19	13.8	38	6.5	161 419	UC- ¹ / ₈	1
								534 219	UC- ¹ / ₈ -50	50
G ¹ / ₄	< 60	9.0	3200	52	17.8	51	8.5	165 004	UC- ¹ / ₄	1
								534 220	UC- ¹ / ₄ -20	20

- 1) At 6 bar with respect to atmosphere at a distance of 1 m
2) At 7 bar at inlet with respect to atmosphere
* Packaging unit quantity