

# Pressure transmitters SDET

Product overview



- Eight pressure measuring ranges
- Relative pressure measurement
- Analogue output 0.1 ... 10 V or 4 ... 20 mA
- Resistant to water and oils

Detailed product information  
 → [www.festo.com/catalogue/sdet](http://www.festo.com/catalogue/sdet)

## Type codes

SDET - 22T - D2 - G14 - U - M12

### Sensor function

SDET	Pressure transmitter
------	----------------------

### Size

22T	Housing, width across flats 22
-----	--------------------------------

### Pressure measuring range

B2	-1 ... +1 bar
D2	0 ... 2 bar
D6	0 ... 6 bar
D10	0 ... 10 bar
D16	0 ... 16 bar
D25	0 ... 25 bar
D50	0 ... 50 bar
D100	0 ... 100 bar

### Pneumatic connection

G14	Female thread G $\frac{1}{4}$
-----	-------------------------------

### Analogue output

U	0.1 ... 10 V
I	4 ... 20 mA

### Electrical connection

M12	Plug M12x1, 4-pin
-----	-------------------

# Pressure transmitters SDET

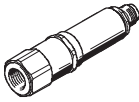
Technical data

FESTO

Sensors  
Sensors for pressure and vacuum

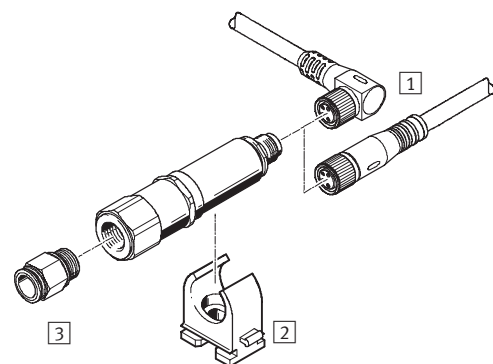
1.2

General technical data			
Analogue output		0.1 ... 10 V	4 ... 20 mA
Design			
Pneumatic connection		G1/4	
Electrical data			
Operating voltage range DC	[V]	14 ... 30	8 ... 30
Electrical connection		Plug M12x1, 4-pin	
Protection against short circuit		Yes	
Protection class		IP65	
Operating and environmental conditions			
Operating medium		Compressed air; liquid media; gaseous media	
Ambient temperature	[°C]	0 ... 80	
Temperature of medium	[°C]	-10 ... 100	
CE mark (see declaration of conformity)		In accordance with EU EMC directive	
Certification		C-Tick	
Materials			
Housing		High-alloy stainless steel	
Pressure supply port		CrNi steel 1.4305	
Sealing ring		Fluorocarbon rubber	
Sensor element		Al2O3 96%	

Ordering data						
Variant	Pressure measuring range [bar]	Accuracy FS <sup>1)</sup>	Analogue output 0.1 ... 10 V		Analogue output 4 ... 20 mA	
			Part No.	Type	Part No.	Type
	-1 ... +1	±1.5%	547 476	SDET-22T-B2-G14-U-M12	547 475	SDET-22T-B2-G14-I-M12
	0 ... 2		547 478	SDET-22T-D2-G14-U-M12	547 477	SDET-22T-D2-G14-I-M12
	0 ... 6	±1 %	547 480	SDET-22T-D6-G14-U-M12	547 479	SDET-22T-D6-G14-I-M12
	0 ... 10		547 482	SDET-22T-D10-G14-U-M12	547 481	SDET-22T-D10-G14-I-M12
	0 ... 16		547 484	SDET-22T-D16-G14-U-M12	547 483	SDET-22T-D16-G14-I-M12
	0 ... 25		547 486	SDET-22T-D25-G14-U-M12	547 485	SDET-22T-D25-G14-I-M12
	0 ... 50		547 488	SDET-22T-D50-G14-U-M12	547 487	SDET-22T-D50-G14-I-M12
	0 ... 100		547 490	SDET-22T-D100-G14-U-M12	547 489	SDET-22T-D100-G14-I-M12

1) % FS = % of measuring range's final value (full scale)



## Peripherals overview



Accessories	
1	Connecting cable NEBU-M12 (signal output)
2	Pipe clamp PQ-RK-22 (included in scope of delivery)
3	Push-in fitting QS-1/4


### Ordering data – Connecting cables

Technical data → 169

	Number of wires	Cable length [m]	Part No.	Type
M12x1, straight socket				
	4	5	541 328	NEBU-M12G5-K-5-LE4
M12x1, angled socket				
	4	5	541 329	NEBU-M12W5-K-5-LE4

### Ordering data – Push-in fittings<sup>1)</sup>

Technical data → www.festo.com

	For tubing O.D.	Part No.	Type
	4 mm	190 644	QS-G1/4-4 <sup>1)</sup>
	6 mm	153 003	QS-G1/4-6 <sup>1)</sup>
	8 mm	153 005	QS-G1/4-8 <sup>1)</sup>

1) Temperature-dependent operating pressure -0.95 ... 14 bar