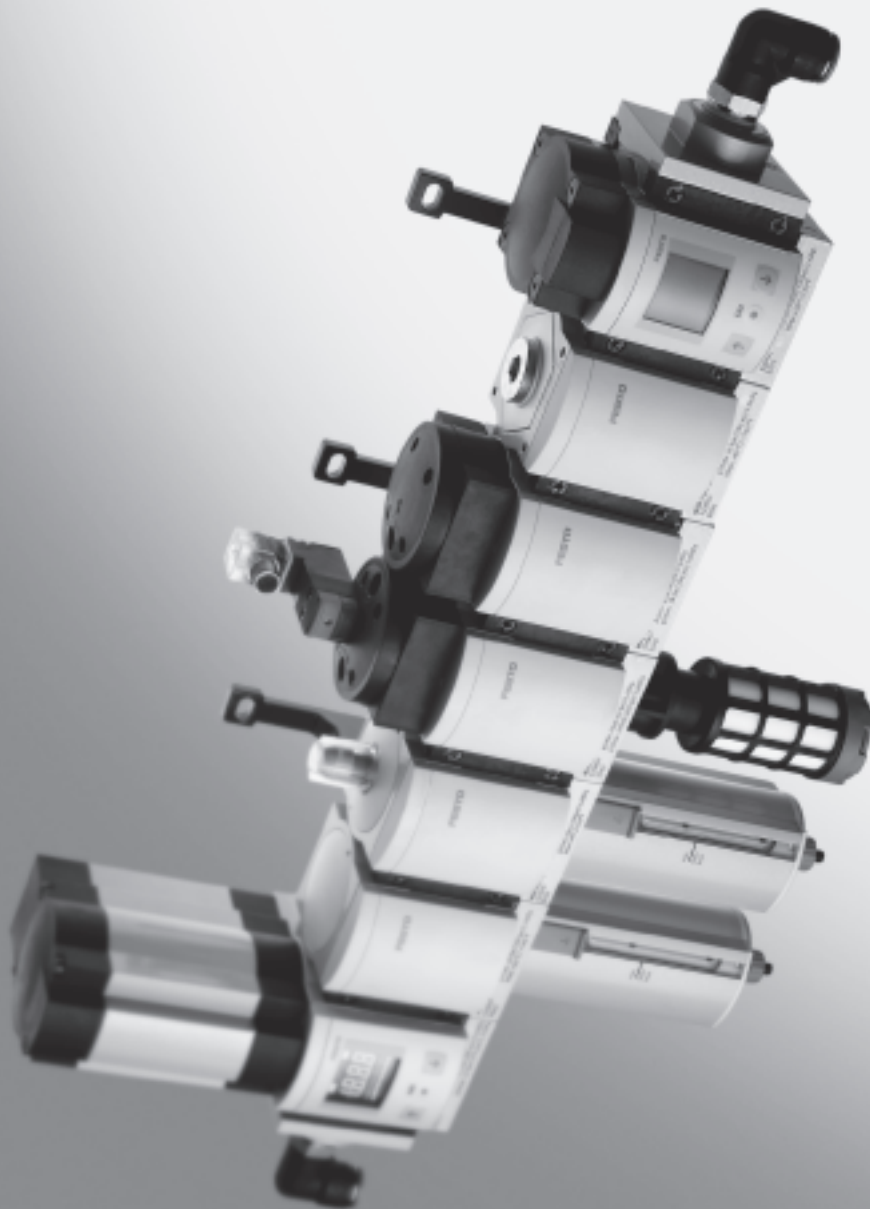


Wide range of configuration options

→ www.festo.com/en/engineering



- Three sizes:
 - MS4 – grid
dimension 40 mm
 - MS6 – grid
dimension 62 mm
 - MS12 – grid
dimension 124 mm
- Modular
- Easy to assemble
- Broad range of functions
- Compact with high flow rates
- Modern design
- Wide choice of variants
- Integrated safety functions

Specified types in accordance with ATEX directive for potentially explosive atmospheres

→ www.festo.com/en/ex

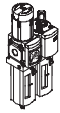
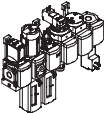








MS series service units

Product range overview



MS series service units

1

Type	Size	Pneumatic connection in housing	Connecting plate	Pressure regulation range [bar]						Grade of filtration [µm]			
				0.05	0.05	0.1	0.3	0.1	0.5	0.01	1	5	40
							
Code			AG...	D2	D4	D5	D6	D7	D8	A	B	C	E
Service units													
MSB-FRC 	4	G1/8, G1/4	G1/8, G1/4, G3/8	-	-	-	■	■	-	-	-	■	■
	6	G1/4, G3/8, G1/2	G1/4, G3/8, G1/2, G3/4	-	-	-	■	■	-	-	-	■	■
	12	-											
Service unit combinations (further variants can be ordered using the configurator → www.festo.com/en/engineering)													
MSB 	4	G1/4	G1/8, G1/4, G3/8	-	-	-	■	■	-	-	-	■	■
	6	G1/2	G1/4, G3/8, G1/2, G3/4	-	-	-	■	■	-	-	-	■	■
	12	-											
Individual devices													
Filter regulators MS-LFR 	4	G1/8, G1/4	G1/8, G1/4, G3/8	-	-	■	■	■	-	-	-	■	■
	6	G1/4, G3/8, G1/2	G1/4, G3/8, G1/2, G3/4	-	-	■	■	■	■	-	-	■	■
	12	-	G1, G1 1/4, G1 1/2, G2	-	-	-	■	■	■	-	-	■	■
Filters MS-LF 	4	G1/8, G1/4	G1/8, G1/4, G3/8	-	-	-	-	-	-	-	-	■	■
	6	G1/4, G3/8, G1/2	G1/4, G3/8, G1/2, G3/4	-	-	-	-	-	-	-	-	■	■
	12	-	G1, G1 1/4, G1 1/2, G2	-	-	-	-	-	-	-	-	■	■
Fine and micro filters MS-LFM 	4	G1/8, G1/4	G1/8, G1/4, G3/8	-	-	-	-	-	-	■	■	-	-
	6	G1/4, G3/8, G1/2	G1/4, G3/8, G1/2, G3/4	-	-	-	-	-	-	■	■	-	-
	12	-	G1, G1 1/4, G1 1/2, G2	-	-	-	-	-	-	■	■	-	-
Activated carbon filters MS-LFX 	4	G1/8, G1/4	G1/8, G1/4, G3/8	-	-	-	-	-	-	-	-	-	-
	6	G1/4, G3/8, G1/2	G1/4, G3/8, G1/2, G3/4	-	-	-	-	-	-	-	-	-	-
	12	-	G1, G1 1/4, G1 1/2, G2	-	-	-	-	-	-	-	-	-	-
Pressure regulators MS-LR 	4	G1/8, G1/4	G1/8, G1/4, G3/8	-	-	■	■	■	-	-	-	-	-
	6	G1/4, G3/8, G1/2	G1/4, G3/8, G1/2, G3/4	-	-	■	■	■	■	-	-	-	-
	12	-	G1, G1 1/4, G1 1/2, G2	-	-	-	■	■	■	-	-	-	-
Pressure regulators MS-LRB 	4	G1/4	G1/8, G1/4, G3/8	-	-	■	■	■	-	-	-	-	-
	6	G1/2	G1/4, G3/8, G1/2, G3/4	-	-	■	■	■	■	-	-	-	-
	12	-											
Precision pressure regulators MS-LRP 	4	-											
	6	G1/4, G3/8, G1/2	G1/4, G3/8, G1/2, G3/4	■	■	■	-	■	-	-	-	-	-
	12	-											
Precision pressure regulators MS-LRPB 	4	-											
	6	G1/2	G1/4, G3/8, G1/2, G3/4	■	■	■	-	■	-	-	-	-	-
	12	-											

MS series service units

Product range overview



Type	Size	Bowl guard		Condensate drains				Pressure indicator					Actuator lock		Options		→ Page
		Plastic bowl guard	Metal bowl	Manual rotary	Semi-automatic	Fully automatic	External, fully-automatic, electrical	Cover plate (without pressure gauge)	Integrated MS pressure gauge	Adapter for EN pressure gauge G 1/8	Adapter for EN pressure gauge G 1/4	Pressure sensor with display	Rotary knob, lockable	Rotary knob, long	Silencer	Flow direction from right to left	
Code		R	U	M	H	V	E...	VS	AG	A8	A4	AD...	AS	LD	S	Z	
Service units																	
MSB-FRC	4	■	-	■	-	■	-	-	■	-	-	-	■	-	-	■	2-2
	6	■	■	■	-	■	-	-	■	-	-	-	■	-	-	■	
	12	-															
Service unit combinations																	
MSB	4	■	■	■	-	■	-	-	■	-	-	-	■	-	-	■	2-2
	6	■	■	■	-	■	-	-	■	-	-	-	■	-	-	■	
	12	-															
Individual devices																	
Filter regulators MS-LFR	4	■	■	■	■	■	-	■	■	■	■	■	■	■	-	■	3-2
	6	■	■	■	■	■	■	■	■	-	■	■	■	■	-	■	
	12	-	■	■	-	■	■	■	■	-	■	-	■	■	-	■	3-18
Filters MS-LF	4	■	■	■	■	■	-	-	-	-	-	-	-	-	-	■	4-2, 4-4
	6	■	■	■	■	■	■	-	-	-	-	-	-	-	-	■	
	12	-	■	■	-	■	■	-	-	-	-	-	-	-	-	■	4-32, 4-34
Fine and micro filters MS-LFM	4	■	■	■	■	■	-	-	-	-	-	-	-	-	-	■	4-2, 4-12
	6	■	■	■	■	■	■	-	-	-	-	-	-	-	-	■	
	12	-	■	■	-	■	■	-	-	-	-	-	-	-	-	■	4-32, 4-39
Activated carbon filters MS-LFX	4	■	■	-	-	-	-	-	-	-	-	-	-	-	-	■	4-2, 4-24
	6	■	■	-	-	-	-	-	-	-	-	-	-	-	-	■	
	12	-	■	-	-	-	-	-	-	-	-	-	-	-	-	■	4-32, 4-46
Pressure regulators MS-LR	4	-	-	-	-	-	-	■	■	■	■	■	■	■	-	■	5-2, 5-7
	6	-	-	-	-	-	-	■	■	-	■	■	■	■	-	■	
	12	-	-	-	-	-	-	■	■	-	■	-	■	■	-	■	5-58
Pressure regulators MS-LRB	4	-	-	-	-	-	-	■	■	■	■	■	■	■	-	■	5-2, 5-16
	6	-	-	-	-	-	-	■	■	-	■	■	■	■	-	■	
	12	-															
Precision pressure regulators MS-LRP	4	-															5-24, 5-29
	6	-	-	-	-	-	-	■	-	■	■	■	■	■	-	■	
	12	-															
Precision pressure regulators MS-LRPB	4	-															5-24, 5-38
	6	-	-	-	-	-	-	■	-	■	■	■	■	■	-	■	
	12	-															

MS series service units

Product range overview



Type	Size	Pneumatic connection in housing	Connecting plate	Pressure regulation range [bar]				Supply voltage				
				0.3 ... 4	0.3 ... 7	0.5 ... 12	0.5 ... 16	24 V DC (connection pattern to EN 175301)	24 V DC (connection pattern M12 to DESINA)	110 V AC (connection pattern to EN 175301)	230 V AC (connection pattern to EN 175301)	
Code			AG...	D5	D6	D7	D8	V24	V24P	V110	V230	
Individual devices												
Electrical pressure regulators MS-LRE		4	–									
		6	G $\frac{1}{4}$, G $\frac{3}{8}$, G $\frac{1}{2}$	G $\frac{1}{4}$, G $\frac{3}{8}$, G $\frac{1}{2}$, G $\frac{3}{4}$	■	■	■	■	–	–	–	–
		12	–									
Lubricators MS-LOE		4	G $\frac{1}{8}$, G $\frac{1}{4}$	G $\frac{1}{8}$, G $\frac{1}{4}$, G $\frac{3}{8}$	–	–	–	–	–	–	–	–
		6	G $\frac{1}{4}$, G $\frac{3}{8}$, G $\frac{1}{2}$	G $\frac{1}{4}$, G $\frac{3}{8}$, G $\frac{1}{2}$, G $\frac{3}{4}$	–	–	–	–	–	–	–	–
		12	–	G1, G $\frac{1}{4}$, G $\frac{1}{2}$, G2	–	–	–	–	–	–	–	–
On-off valves MS-EM(1)		4	G $\frac{1}{8}$, G $\frac{1}{4}$	G $\frac{1}{8}$, G $\frac{1}{4}$, G $\frac{3}{8}$	–	–	–	–	–	–	–	–
		6	G $\frac{1}{4}$, G $\frac{3}{8}$, G $\frac{1}{2}$	G $\frac{1}{4}$, G $\frac{3}{8}$, G $\frac{1}{2}$, G $\frac{3}{4}$	–	–	–	–	–	–	–	–
		12	–	G1, G $\frac{1}{4}$, G $\frac{1}{2}$, G2	–	–	–	–	–	–	–	–
On-off valves MS-EE		4	G $\frac{1}{8}$, G $\frac{1}{4}$	G $\frac{1}{8}$, G $\frac{1}{4}$, G $\frac{3}{8}$	–	–	–	–	■	–	■	■
		6	G $\frac{1}{4}$, G $\frac{3}{8}$, G $\frac{1}{2}$	G $\frac{1}{4}$, G $\frac{3}{8}$, G $\frac{1}{2}$, G $\frac{3}{4}$	–	–	–	–	■	–	■	■
		12	–	G1, G $\frac{1}{4}$, G $\frac{1}{2}$, G2	–	–	–	–	■	■	■	■
Soft-start valves MS-DL		4	G $\frac{1}{8}$, G $\frac{1}{4}$	G $\frac{1}{8}$, G $\frac{1}{4}$, G $\frac{3}{8}$	–	–	–	–	–	–	–	–
		6	G $\frac{1}{4}$, G $\frac{3}{8}$, G $\frac{1}{2}$	G $\frac{1}{4}$, G $\frac{3}{8}$, G $\frac{1}{2}$, G $\frac{3}{4}$	–	–	–	–	–	–	–	–
		12	–	G1, G $\frac{1}{4}$, G $\frac{1}{2}$, G2	–	–	–	–	–	–	–	–
Soft-start valves MS-DE		4	G $\frac{1}{8}$, G $\frac{1}{4}$	G $\frac{1}{8}$, G $\frac{1}{4}$, G $\frac{3}{8}$	–	–	–	–	■	–	■	■
		6	G $\frac{1}{4}$, G $\frac{3}{8}$, G $\frac{1}{2}$	G $\frac{1}{4}$, G $\frac{3}{8}$, G $\frac{1}{2}$, G $\frac{3}{4}$	–	–	–	–	■	–	■	■
		12	–	G1, G $\frac{1}{4}$, G $\frac{1}{2}$, G2	–	–	–	–	■	■	■	■
Membrane air dryers MS-LDM1		4	G $\frac{1}{8}$, G $\frac{1}{4}$	G $\frac{1}{8}$, G $\frac{1}{4}$, G $\frac{3}{8}$	–	–	–	–	–	–	–	–
		6	G $\frac{1}{4}$, G $\frac{3}{8}$, G $\frac{1}{2}$	G $\frac{1}{4}$, G $\frac{3}{8}$, G $\frac{1}{2}$, G $\frac{3}{4}$	–	–	–	–	–	–	–	–
		12	–									
Branching modules MS-FRM		4	G $\frac{1}{8}$, G $\frac{1}{4}$	G $\frac{1}{8}$, G $\frac{1}{4}$, G $\frac{3}{8}$	–	–	–	–	–	–	–	–
		6	G $\frac{1}{4}$, G $\frac{3}{8}$, G $\frac{1}{2}$	G $\frac{1}{4}$, G $\frac{3}{8}$, G $\frac{1}{2}$, G $\frac{3}{4}$	–	–	–	–	–	–	–	–
		12	–	G1, G $\frac{1}{4}$, G $\frac{1}{2}$, G2	–	–	–	–	–	–	–	–
Flow sensors MS-SFE		4	–									
		6	G $\frac{1}{2}$	G $\frac{1}{2}$	–	–	–	–	–	–	–	–
		12	–									

MS series service units

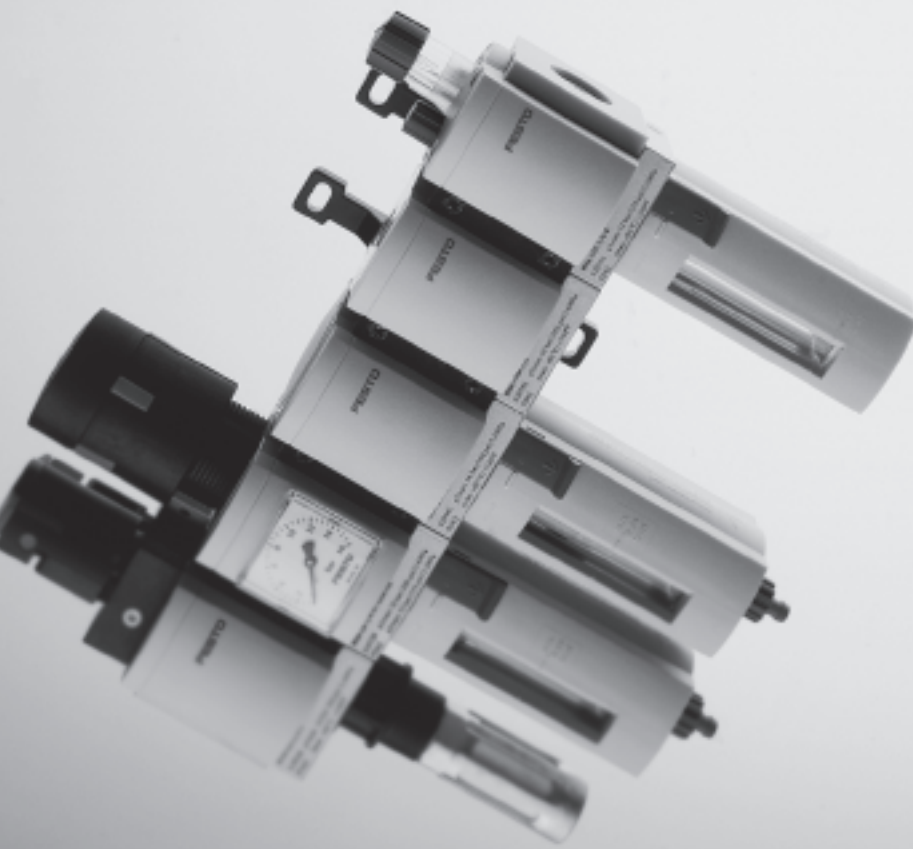
Product range overview



Type	Size	Bowl guard		Pressure indicator					Switch output		Options		→ Page	
		Plastic bowl guard	Metal bowl	Cover plate (without pressure gauge)	Integrated MS pressure gauge	Adapter for EN pressure gauge G 1/8	Adapter for EN pressure gauge G 1/4	Pressure sensor with display	2x PNP	2x NPN	Silencer	Flow direction from right to left		
														R
Individual devices														
Electrical pressure regulators MS-LRE	4	-	-	-	-	-	-	-	-	-	-	-	-	5-46
	6	-	-	■	■	-	■	-	-	-	-	-	■	
	12	-	-	-	-	-	-	-	-	-	-	-	-	
Lubricators MS-LOE	4	■	■	-	-	-	-	-	-	-	-	-	■	6-2
	6	■	■	-	-	-	-	-	-	-	-	-	■	
	12	-	■	-	-	-	-	-	-	-	-	-	■	6-10
On-off valves MS-EM(1)	4	-	-	■	■	■	■	■	-	-	■	■	7-2, 7-5	
	6	-	-	■	■	-	■	■	-	-	■	■		
	12	-	-	■	■	-	■	-	-	-	■	■	7-32, 7-35	
On-off valves MS-EE	4	-	-	■	■	■	■	■	-	-	■	■	7-2, 7-10	
	6	-	-	■	■	-	■	■	-	-	■	■		
	12	-	-	■	■	-	■	-	-	-	■	■	7-32, 7-39	
Soft-start valves MS-DL	4	-	-	■	■	■	■	■	-	-	-	■	7-2, 7-18	
	6	-	-	■	■	-	■	■	-	-	-	■		
	12	-	-	■	■	-	■	-	-	-	-	■	7-32, 7-43	
Soft-start valves MS-DE	4	-	-	■	■	■	■	■	-	-	-	■	7-2, 7-23	
	6	-	-	■	■	-	■	■	-	-	-	■		
	12	-	-	■	■	-	■	-	-	-	-	■	7-32, 7-47	
Membrane air dryers MS-LDM1	4	-	■	-	-	-	-	-	-	-	-	■	8-2	
	6	-	■	-	-	-	-	-	-	-	-	■		
	12	-	-	-	-	-	-	-	-	-	-	-		
Branching modules MS-FRM	4	-	-	■	■	■	■	■	-	-	-	■	9-2	
	6	-	-	■	■	-	■	■	-	-	-	■		
	12	-	-	■	-	-	-	-	-	-	-	-	9-14	
Flow sensors MS-SFE	4	-	-	-	-	-	-	-	-	-	-	-	10-2	
	6	-	-	-	-	-	-	-	■	■	-	■ ¹⁾		
	12	-	-	-	-	-	-	-	-	-	-	-		

1) To be ordered via configurator software only → www.festo.com/en/engineering

Wide range of configuration options
→ www.festo.com/en/engineering

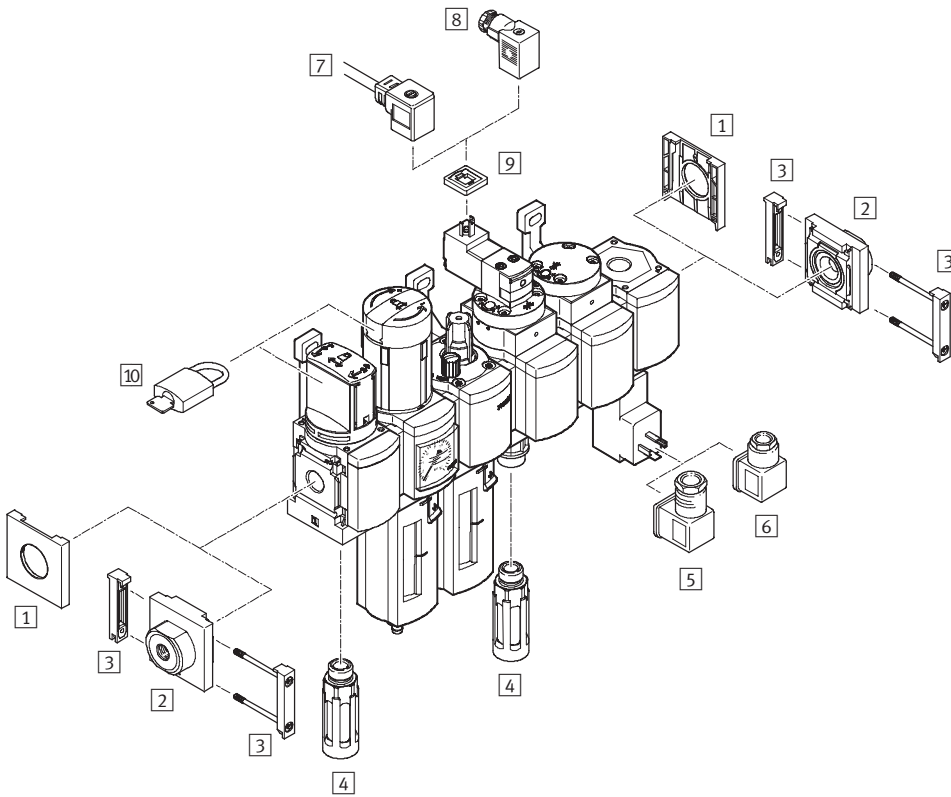



- MS4 – grid
dimension 40 mm
MS6 – grid
dimension 62 mm
- Modular
- Easy to assemble
- Broad range of functions
- Compact with high flow rates
- Modern design
- Wide choice of variants
- Integrated safety functions

Specified types in accordance with
ATEX directive for potentially
explosive atmospheres
→ www.festo.com/en/ex

Service unit combinations MSB4/MSB6, MS series

Peripherals overview



-  - Note
The choice of accessories depends on the selected service unit combination.

Range of accessories
➔ Peripherals pages of the individual devices

Mounting attachments and accessories		➔ Page
1	Cover cap MS4/6-END	11-3
2	Connecting plate MS4/6-AG...	11-2
3	Module connector MS4/6-MV	11-7
4	Silencer U	11-10
5	Angled socket PEV-1/4-WD-LED	11-9
6	Plug socket MSSD-C-4P	11-9
7	Plug socket with cable KMEB	11-9
8	Plug socket MSSD-EB	11-9
9	Illuminating seal MEB-LD	11-9
10	Padlock LRVS-D	11-10
-	Mounting bracket (for service unit MSB-FRC) MS4/6-WP/WPB/WPM	11-5, 11-6

Service units MSB4/MSB6-FRC, MS series

Type codes

MSB	6	-	3/8	-	FRC2:J6	M1
Series						
MSB	Service unit					
Size						
4	Grid dimension 40 mm					
6	Grid dimension 62 mm					
Pneumatic connection						
1/8	Thread G1/8					
1/4	Thread G1/4					
3/8	Thread G3/8					
1/2	Thread G1/2					
Service unit consisting of:						
<ul style="list-style-type: none"> • Filter regulator with pressure gauge, lockable standard type rotary knob • Lubricator 						
Pressure regulation range 0.3 ... 7 bar						
Plastic bowl guard						
FRC3:J7	Grade of filtration 5 µm, manual rotary condensate drain					
FRC4:J8	Grade of filtration 5 µm, fully automatic condensate drain					
FRC1:J5	Grade of filtration 40 µm, manual rotary condensate drain					
FRC2:J6	Grade of filtration 40 µm, fully automatic condensate drain					
Pressure regulation range 0.5 ... 12 bar						
Plastic bowl guard						
FRC7:J3	Grade of filtration 5 µm, manual rotary condensate drain					
FRC8:J4	Grade of filtration 5 µm, fully automatic condensate drain					
FRC5:J1	Grade of filtration 40 µm, manual rotary condensate drain					
FRC6:J2	Grade of filtration 40 µm, fully automatic condensate drain					
Metal bowl						
FRC11:J9	Grade of filtration 5 µm, manual rotary condensate drain					
FRC12:J10	Grade of filtration 5 µm, fully automatic condensate drain					
FRC9:J11	Grade of filtration 40 µm, manual rotary condensate drain					
FRC10:J12	Grade of filtration 40 µm, fully automatic condensate drain					
Lubricators						
M1	Plastic bowl guard					
M2	Metal bowl					

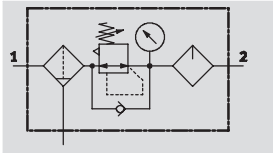
Service units MSB4/MSB6-FRC, MS series

Technical data

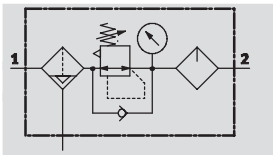





Function

With condensate drain
manual rotary



With condensate drain
fully automatic



-  - Flow rate
800 ... 4,800 l/min
-  - Temperature range
-10 ... +60 °C
-  - Input pressure
1.5 ... 20 bar



- Filter, regulator and lubricator function in a single unit
- High flow rate and highly efficient removal of contaminants
- Good regulating characteristics with minimal pressure hysteresis
- Setting values are secured by locking the rotary knob
- Lockable rotary knob
- Two pressure regulation ranges: 0.3 ... 7 bar and 0.5 ... 12 bar
- Choice of filter cartridges: 5 µm or 40 µm
- With manual or integrated, fully automatic condensate drain

General technical data					
Size	MSB4		MSB6		
Pneumatic connection 1, 2	G $\frac{1}{8}$	G $\frac{1}{4}$	G $\frac{1}{4}$	G $\frac{3}{8}$	G $\frac{1}{2}$
Design	Filter regulator with pressure gauge				
	Proportional standard mist lubricator				
Regulating function	With primary pressure compensation				
	With secondary venting				
	With return flow function				
	Output pressure constant				
Type of mounting	Via accessories				
Assembly position	Vertical $\pm 5^\circ$				
Grade of filtration [µm]	5 (air purity class at the output 3.7.- to DIN ISO 8573-1)				
	40 (air purity class at the output 5.7.- to DIN ISO 8573-1)				
Bowl guard	Plastic bowl guard		Plastic bowl guard		
	-		Metal bowl guard		
Condensate drains	Manual rotary				
	Fully automatic				
Actuator lock	Rotary knob with integrated lock				
Pressure regulation range [bar]	0.3 ... 7				
	0.5 ... 12				
Pressure indicator	With pressure gauge				

-  - Note: This product conforms with the ISO 1179-1 standard and the ISO 228-1 standard.

Service units MSB4/MSB6-FRC, MS series

Technical data

Standard nominal flow rate $q_{nN}^{1)}$ [l/min]						
Size	MSB4			MSB6		
Pneumatic connection	G $\frac{1}{8}$	G $\frac{1}{4}$	G $\frac{1}{4}$	G $\frac{3}{8}$	G $\frac{1}{2}$	
Pressure regulation range 0.3... 7 bar						
Grade of filtration	5 μ m	900	1,300	2,000	4,400	4,600
	40 μ m	950	1,400	2,100	4,600	4,800
Pressure regulation range 0.5... 12 bar						
Grade of filtration	5 μ m	800	850	1,700	3,400	3,600
	40 μ m	850	900	1,900	3,500	3,700

1) Measured at $p_1 = 10$ bar and $p_2 = 6$ bar, $\Delta p = 1$ bar.

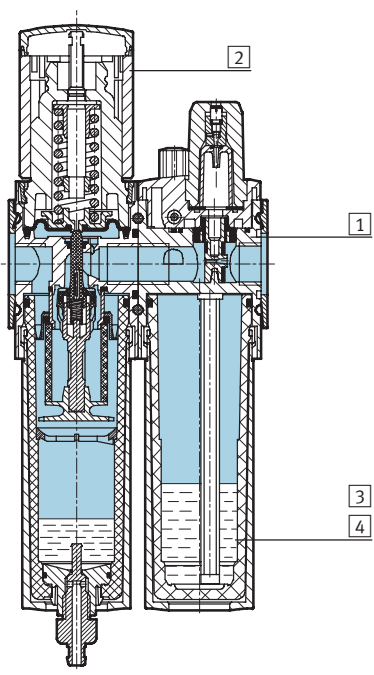
Operating and environmental conditions				
Condensate drains		Manual rotary		Fully automatic
Size	MSB4	MSB6	MSB4	MSB6
Supply pressure [bar]	1.5 ... 14		1.5 ... 12	
Operating medium	Compressed air			
Ambient temperature [°C]	-10 ... +60		+5 ... +60	
Temperature of medium [°C]	-10 ... +60		+5 ... +60	
Storage temperature [°C]	-10 ... +60		-10 ... +60	
Corrosion resistance	CRC ¹⁾		2	

1) Corrosion resistance class 2 according to Festo standard 940 070
 Components requiring moderate corrosion resistance. Externally visible parts with primarily decorative surface requirements which are in direct contact with a normal industrial environment or media such as coolants or lubricating agents.

Weights [g]	
Size	MSB4
With plastic bowl guard	500
With metal bowl guard	-

Materials

Sectional view



Service unit		
1	Body	Die-cast aluminium
2	Regulating knob	Polyamide/polyacetate
3	Plastic bowl guard	Polycarbonate
4	Metal bowl guard	Wrought aluminium alloy
-	Seals	Nitrile rubber

Service units MSB4/MSB6-FRC, MS series

Technical data



MS series service units
Service units

2

Standard flow rate q_n as a function of output pressure p_2

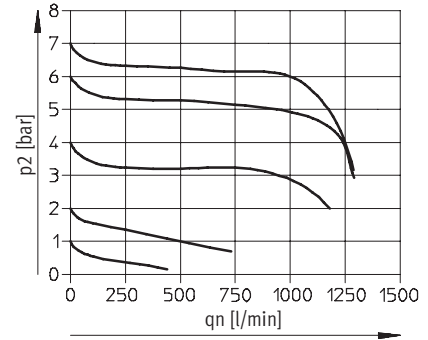
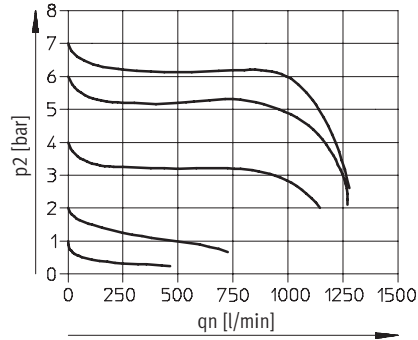
Pressure regulation range 0.3 ... 7 bar

Grade of filtration 5 μm

Grade of filtration 40 μm

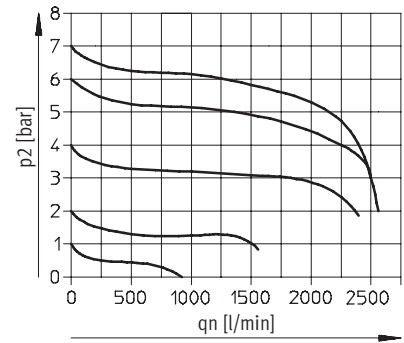
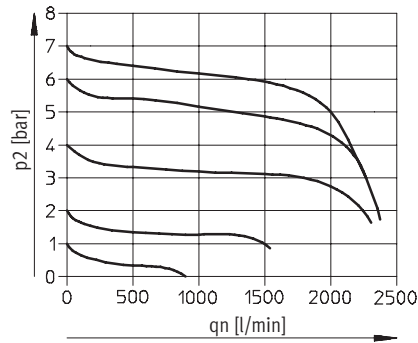
MSB4-1/8

Primary pressure $p_1 = 10$ bar



MSB4-1/4

Primary pressure $p_1 = 10$ bar



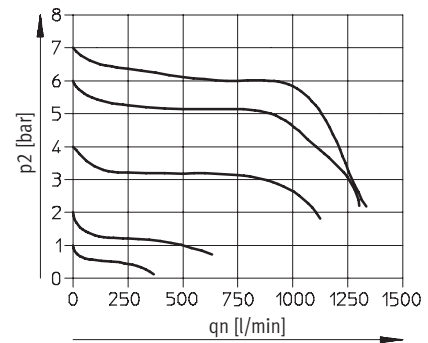
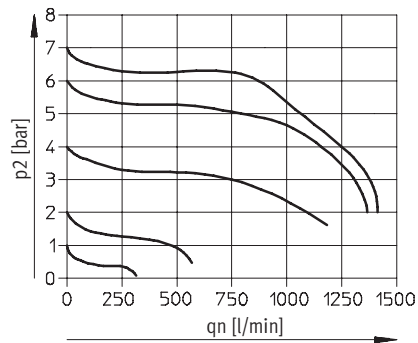
Pressure regulation range 0.5 ... 12 bar

Grade of filtration 5 μm

Grade of filtration 40 μm

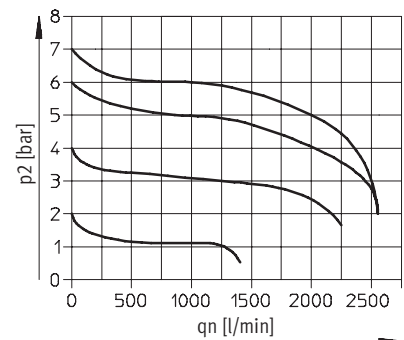
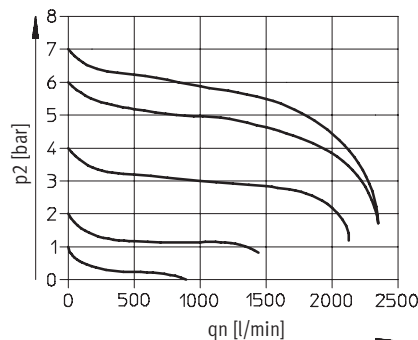
MSB4-1/8

Primary pressure $p_1 = 10$ bar



MSB4-1/4

Primary pressure $p_1 = 10$ bar



Service units MSB4/MSB6-FRC, MS series

Technical data



Standard flow rate q_n as a function of output pressure p_2

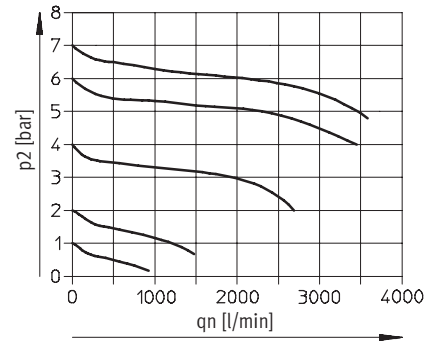
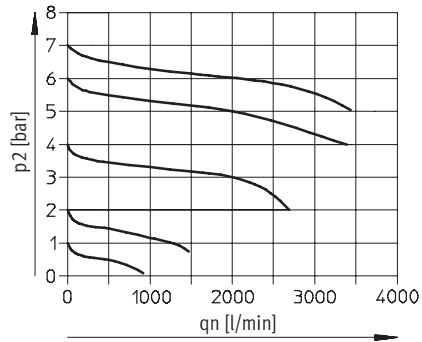
Pressure regulation range 0.3 ... 7 bar

Grade of filtration 5 μm

Grade of filtration 40 μm

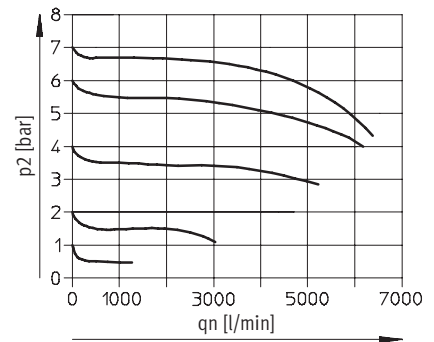
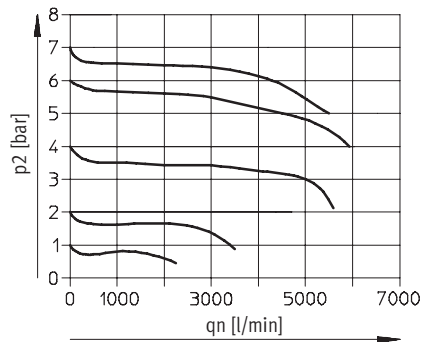
MSB6-1/4

Primary pressure $p_1 = 10$ bar



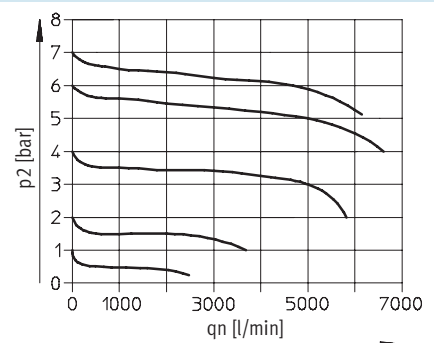
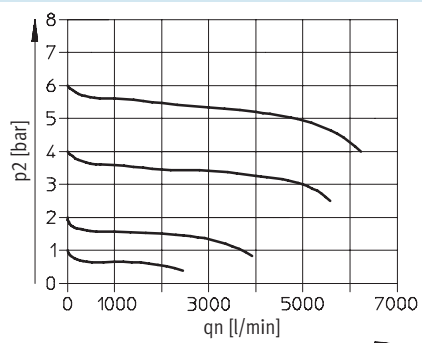
MSB6-3/8

Primary pressure $p_1 = 10$ bar



MSB6-1/2

Primary pressure $p_1 = 10$ bar



Service units MSB4/MSB6-FRC, MS series

Technical data



MS series service units
Service units

2

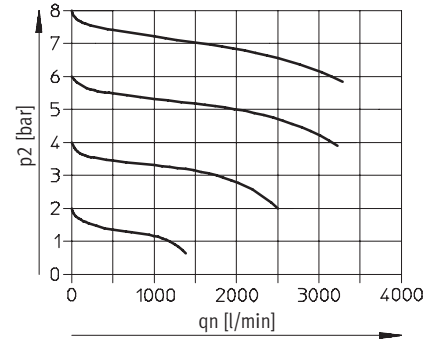
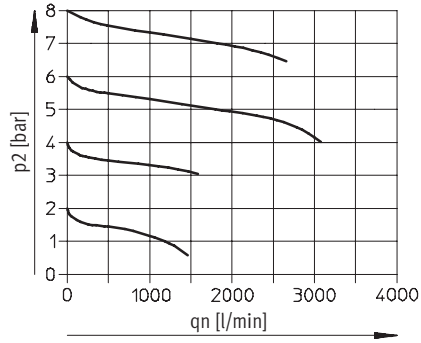
Standard flow rate q_n as a function of output pressure p_2

Pressure regulation range 0.5 ... 12 bar Grade of filtration 5 μm

Grade of filtration 40 μm

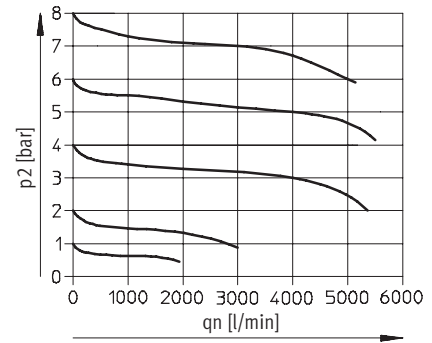
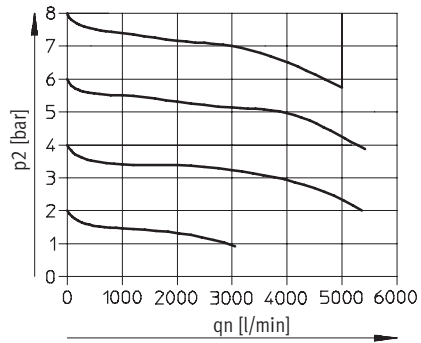
MSB6-1/4

Primary pressure $p_1 = 10$ bar



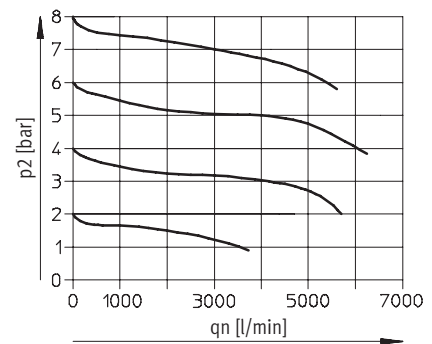
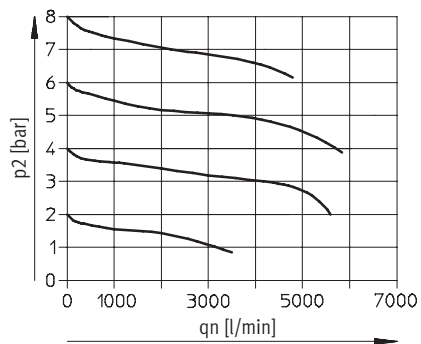
MSB6-3/8

Primary pressure $p_1 = 10$ bar



MSB6-1/2

Primary pressure $p_1 = 10$ bar



Service units MSB4/MSB6-FRC, MS series

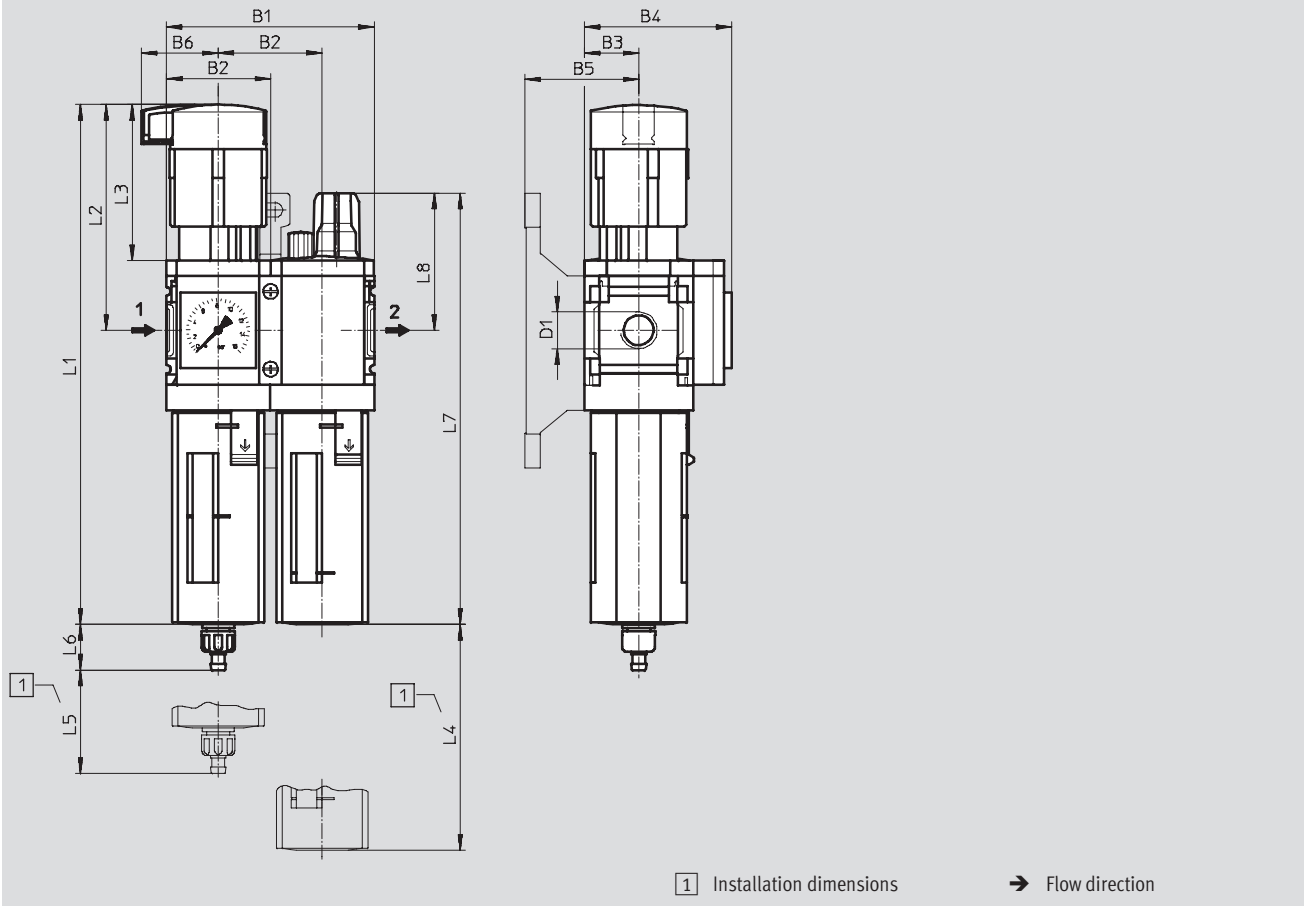
Technical data



Dimensions

Download CAD data → www.festo.com/en/engineering

With pressure gauge, display unit [bar]



Type	B1	B2	B3	B4	B5	B6	D1	L1	L2	L3	L4	L5	L6 Condensate drain		L7	L8
													manual rotary	fully auto- matic		
MSB4-1/8	80.4	40.2	21	57	44	29.7	G1/8	201	87	60	80	25	17.7	20.4	167	53
MSB4-1/4							G1/4									
MSB6-1/4	124	62	31	77	54	38.8	G1/4	284.8	134.5	95.5	130	68	15.8	18.5	215.3	65.6
MSB6-3/8							G3/8									
MSB6-1/2							G1/2									

· || · Note: This product conforms with the ISO 1179-1 standard and the ISO 228-1 standard.

Service units MSB4/MSB6-FRC, MS series



Technical data

MS series service units
Service units

2

Ordering data						
Pressure regulation range 0.3 ... 7 bar						
Size	Condensate drain	Connection	Grade of filtration 5 µm		Grade of filtration 40 µm	
			Part No.	Type	Part No.	Type
Plastic bowl guard						
MSB4	manual rotary	G $\frac{1}{8}$	531 129	MSB4- $\frac{1}{8}$ -FRC3:J7M1	531 125	MSB4- $\frac{1}{8}$ -FRC1:J5M1
		G $\frac{1}{4}$	531 113	MSB4- $\frac{1}{4}$ -FRC3:J7M1	531 109	MSB4- $\frac{1}{4}$ -FRC1:J5M1
	fully automatic	G $\frac{1}{8}$	531 131	MSB4- $\frac{1}{8}$ -FRC4:J8M1	531 127	MSB4- $\frac{1}{8}$ -FRC2:J6M1
		G $\frac{1}{4}$	531 115	MSB4- $\frac{1}{4}$ -FRC4:J8M1	531 111	MSB4- $\frac{1}{4}$ -FRC2:J6M1
MSB6	manual rotary	G $\frac{1}{4}$	530 264	MSB6- $\frac{1}{4}$ -FRC3:J7M1	530 254	MSB6- $\frac{1}{4}$ -FRC1:J5M1
		G $\frac{3}{8}$	530 288	MSB6- $\frac{3}{8}$ -FRC3:J7M1	530 278	MSB6- $\frac{3}{8}$ -FRC1:J5M1
		G $\frac{1}{2}$	530 240	MSB6- $\frac{1}{2}$ -FRC3:J7M1	530 230	MSB6- $\frac{1}{2}$ -FRC1:J5M1
	fully automatic	G $\frac{1}{4}$	530 266	MSB6- $\frac{1}{4}$ -FRC4:J8M1	530 262	MSB6- $\frac{1}{4}$ -FRC2:J6M1
		G $\frac{3}{8}$	530 290	MSB6- $\frac{3}{8}$ -FRC4:J8M1	530 286	MSB6- $\frac{3}{8}$ -FRC2:J6M1
		G $\frac{1}{2}$	530 242	MSB6- $\frac{1}{2}$ -FRC4:J8M1	530 238	MSB6- $\frac{1}{2}$ -FRC2:J6M1

Ordering data						
Pressure regulation range 0.5 ... 12 bar						
Size	Condensate drain	Connection	Grade of filtration 5 µm		Grade of filtration 40 µm	
			Part No.	Type	Part No.	Type
Plastic bowl guard						
MSB4	manual rotary	G $\frac{1}{8}$	531 137	MSB4- $\frac{1}{8}$ -FRC7:J3M1	531 133	MSB4- $\frac{1}{8}$ -FRC5:J1M1
		G $\frac{1}{4}$	531 121	MSB4- $\frac{1}{4}$ -FRC7:J3M1	531 117	MSB4- $\frac{1}{4}$ -FRC5:J1M1
	fully automatic	G $\frac{1}{8}$	531 139	MSB4- $\frac{1}{8}$ -FRC8:J4M1	531 135	MSB4- $\frac{1}{8}$ -FRC6:J2M1
		G $\frac{1}{4}$	531 123	MSB4- $\frac{1}{4}$ -FRC8:J4M1	531 119	MSB4- $\frac{1}{4}$ -FRC6:J2M1
MSB6	manual rotary	G $\frac{1}{4}$	530 272	MSB6- $\frac{1}{4}$ -FRC7:J3M1	530 268	MSB6- $\frac{1}{4}$ -FRC5:J1M1
		G $\frac{3}{8}$	530 296	MSB6- $\frac{3}{8}$ -FRC7:J3M1	530 292	MSB6- $\frac{3}{8}$ -FRC5:J1M1
		G $\frac{1}{2}$	530 248	MSB6- $\frac{1}{2}$ -FRC7:J3M1	530 244	MSB6- $\frac{1}{2}$ -FRC5:J1M1
	fully automatic	G $\frac{1}{4}$	530 274	MSB6- $\frac{1}{4}$ -FRC8:J4M1	530 270	MSB6- $\frac{1}{4}$ -FRC6:J2M1
		G $\frac{3}{8}$	530 298	MSB6- $\frac{3}{8}$ -FRC8:J4M1	530 294	MSB6- $\frac{3}{8}$ -FRC6:J2M1
		G $\frac{1}{2}$	530 250	MSB6- $\frac{1}{2}$ -FRC8:J4M1	530 246	MSB6- $\frac{1}{2}$ -FRC6:J2M1
Metal bowl						
MSB6	manual rotary	G $\frac{1}{4}$	530 258	MSB6- $\frac{1}{4}$ -FRC11:J9M2	530 276	MSB6- $\frac{1}{4}$ -FRC9:J11M2
		G $\frac{3}{8}$	530 282	MSB6- $\frac{3}{8}$ -FRC11:J9M2	530 300	MSB6- $\frac{3}{8}$ -FRC9:J11M2
		G $\frac{1}{2}$	530 234	MSB6- $\frac{1}{2}$ -FRC11:J9M2	530 252	MSB6- $\frac{1}{2}$ -FRC9:J11M2
	fully automatic	G $\frac{1}{4}$	530 260	MSB6- $\frac{1}{4}$ -FRC12:J10M2	530 256	MSB6- $\frac{1}{4}$ -FRC10:J12M2
		G $\frac{3}{8}$	530 284	MSB6- $\frac{3}{8}$ -FRC12:J10M2	530 280	MSB6- $\frac{3}{8}$ -FRC10:J12M2
		G $\frac{1}{2}$	530 236	MSB6- $\frac{1}{2}$ -FRC12:J10M2	530 232	MSB6- $\frac{1}{2}$ -FRC10:J12M2



MS series service units

Accessories

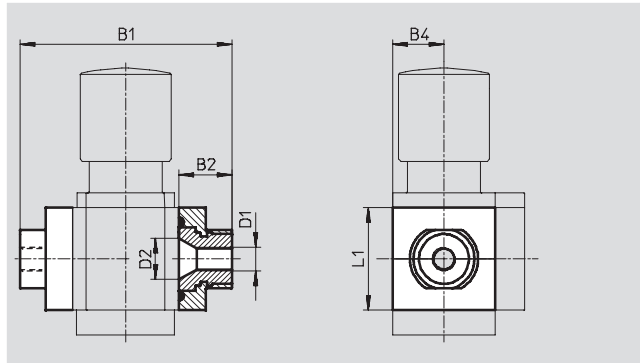


Connecting plate MS4/6-AG...

(order code: AG...)

- Adapter for pneumatic connection
- MS6-AGE for implementing threaded connection G $\frac{3}{4}$

Material:
Aluminium



Dimensions and ordering data									
Size	B1	B2	B4	D1	D2	L1	Weight [g]	Part No.	Type
MS4	83.5	21.5	21	G $\frac{1}{8}$	16.8	42	128	526 068	MS4-AGA
				G $\frac{1}{4}$				526 069	MS4-AGB
				G $\frac{3}{8}$				526 070	MS4-AGC
MS6	115	26.5	31	G $\frac{1}{4}$	24	62	300	526 080	MS6-AGB
				G $\frac{3}{8}$				526 081	MS6-AGC
				G $\frac{1}{2}$				526 082	MS6-AGD
				G $\frac{3}{4}$				526 083	MS6-AGE

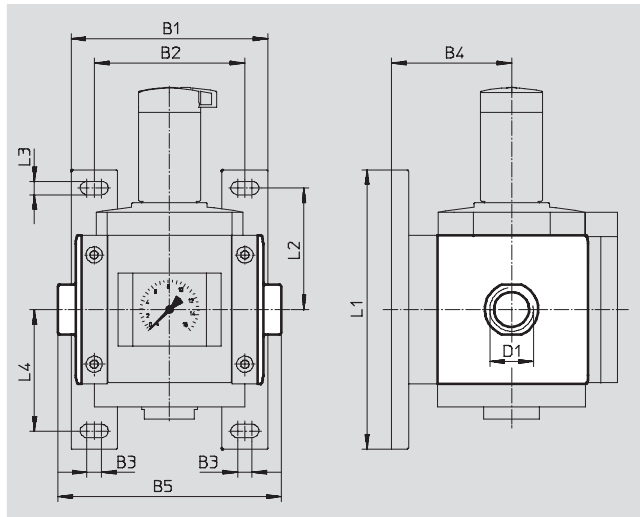
-||- Note: This product conforms with the ISO 1179-1 standard and the ISO 228-1 standard.

Connecting plate MS12-AG...

(order code: AG...)

- Adapter for pneumatic connection

Material:
Die-cast aluminium
Free of copper and PTFE



Dimensions and ordering data													
Size	B1	B2	B3	B4	B5	D1	L1	L2	L3	L4	Weight [g]	Part No.	Type
MS12	162	124	12	99	184	G1	230	100	11	100	1,300	537 135	MS12-AGF
					184	G1 $\frac{1}{4}$						537 136	MS12-AGG
					184	G1 $\frac{1}{2}$						537 137	MS12-AGH
					196	G2						537 138	MS12-AGI

-||- Note: This product conforms with the ISO 1179-1 standard and the ISO 228-1 standard.

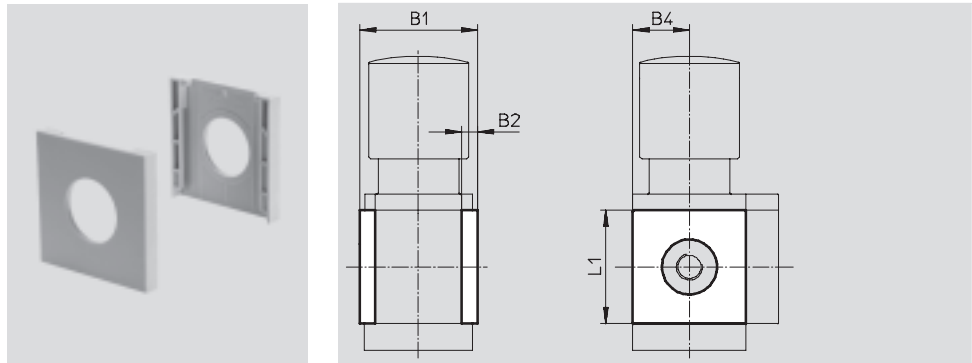
MS series service units

Accessories

Cover cap MS4/6-END

- Can be used to cover the body sides of the first and last module if connecting plates are not used.

Material:
Reinforced polyamide
Free of copper and PTFE



Dimensions and ordering data						
Size	B1	B2	B4	L1	Part No.	Type
MS4	43.6	6	21	42	538 779	MS4-END
MS6	67	8	31	62	538 780	MS6-END

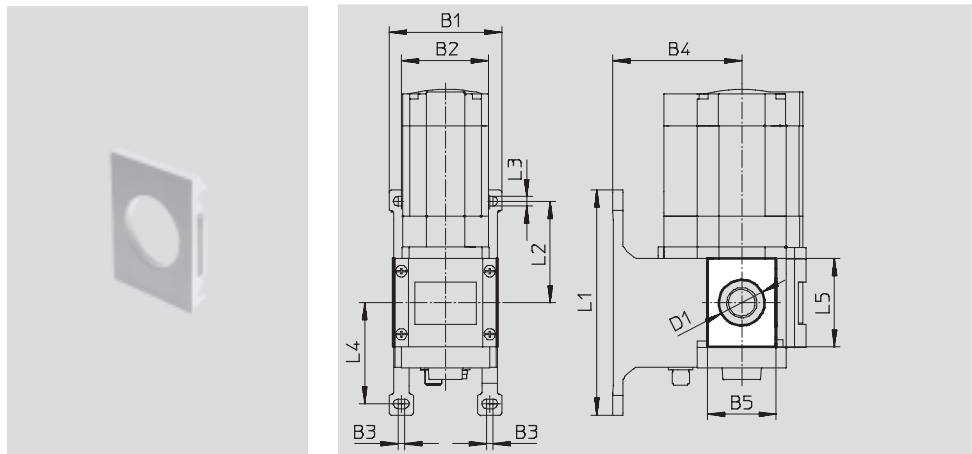
• Note: This product conforms with the ISO 1179-1 standard and the ISO 228-1 standard.

Mounting plate MS4/6-AEND

(order code: WBE; scope of delivery includes wall mounting plate MS6-WPB)

- In combination with wall mounting plate MS-WP or MS-WPB for mounting an individual unit on a wall with direct thread

Material:
Reinforced polyamide
Conforms to RoHS
Free of copper and PTFE



Dimensions and ordering data																	
Size	B1	B2	B3	B4		B5	D1 ∅	L1	L2	L3	L4	L5	CRC ¹⁾	Weight [g]	Part No.	Type	
				WP	WPB												
MS4	55.2	40.2	4	44	66	30.4	20.3	106	46.5	5.6	46.7	42	2	4	542 966	MS4-AEND	New
MS6	79	62	4.5	54	90.5	48.4	32	158	71	6.6	71	62	2	17	535 408	MS6-AEND	

1) Corrosion resistance class 2 according to Festo standard 940 070
Components requiring moderate corrosion resistance. Externally visible parts with primarily decorative surface requirements which are in direct contact with a normal industrial environment or media such as coolants or lubricating agents.

MS series service units

Accessories



Mounting bracket MS4/6-WP...

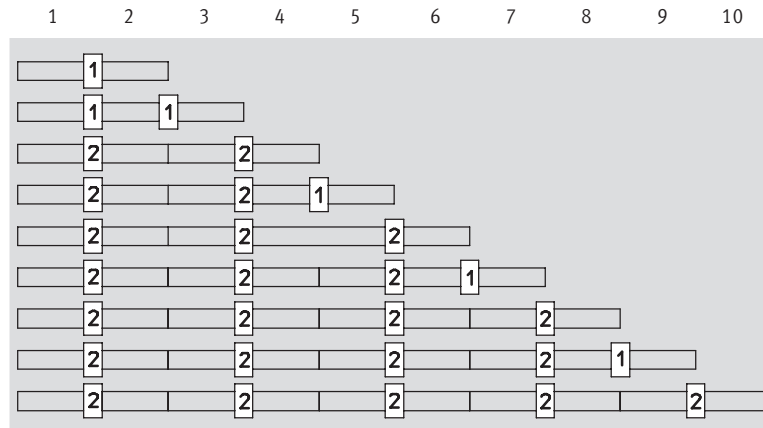
Clearances for mounting service unit combinations

1 unit
MS4-...: 40 mm
MS6-...: 62 mm

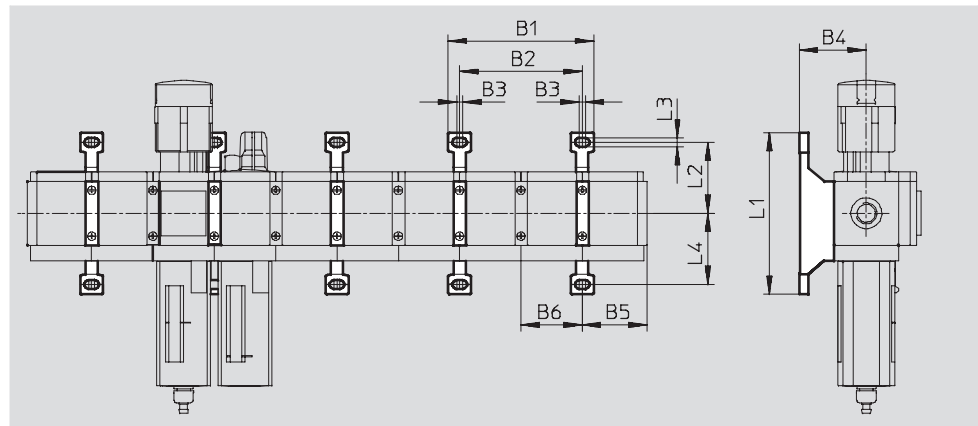
2 units
MS4-...: 80 mm
MS6-...: 124 mm with WP, WPB
138 mm with WPM-2D

- 1 Mounting bracket WP, WPB or WPM-D
- 2 Mounting bracket WP, WPB or WPM-2D

Number of units



Mounting dimensions



Type	B1	B2	B3	B4	B5	B6	L1	L2	L3	L4
MS4-WP	95.2	80	4	44	41.9	40	106	46.5	5.6	46.7
MS4-WPB				66						
MS4-WPM-...D				44						
MS6-WP	141	124	4.5	54	64.5	62	158	71	6.6	71
MS6-WPB				90.5						
MS6-WPM-...D				168						

MS series service units

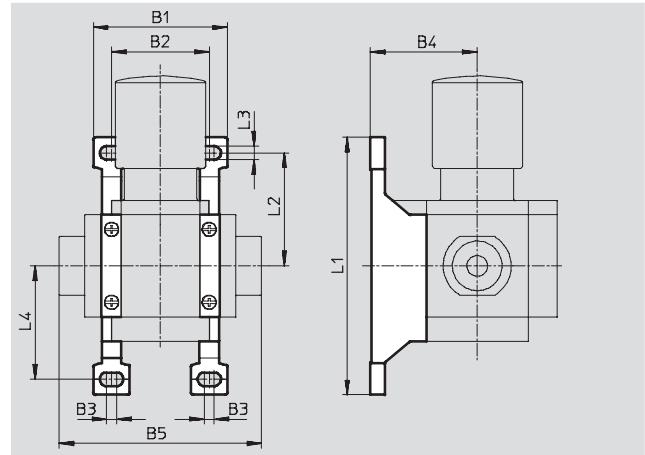
Accessories



Mounting bracket MS4/6-WP

(order code: WP)

- For connecting the modules for wall mounting
- In combination with a connecting plate MS4/6-AG... for mounting an individual unit on a wall
- In combination with mounting plate MS-AEND or for mounting an individual unit with direct thread on a wall
- For pressure regulator LRB with angled outlet block B... at rear



Material:

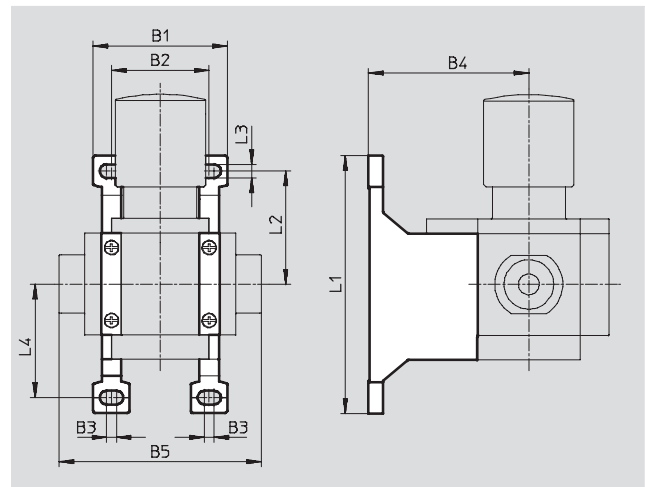
Die-cast aluminium

Dimensions and ordering data												
Size	B1	B2	B3	B4	B5	L1	L2	L3	L4	Weight [g]	Part No.	Type
MS4	55.2	40.2	4	44	83.4	106	46.5	5.6	46.7	39	532 184	MS4-WP
MS6	79	62	4.5	54	115	158	71	6.6	71	76	532 195	MS6-WP

Mounting bracket MS4/6-WPB

(order code: WPB)

- For connecting the modules for wall mounting
- In combination with a connecting plate MS4/6-AG... for mounting an individual unit on a wall
- In combination with mounting plate MS-AEND or for mounting an individual unit with direct thread on a wall
- Provides large wall gap for pressure regulator



Material:

Die-cast aluminium

Dimensions and ordering data												
Size	B1	B2	B3	B4	B5	L1	L2	L3	L4	Weight [g]	Part No.	Type
MS4	55.2	40.2	4	66	83.4	106	46.5	5.6	46.7	55	526 063	MS4-WPB
MS6	79	62	4.5	90.5	115	158	71	6.6	71	115	526 074	MS6-WPB

MS series service units

Accessories



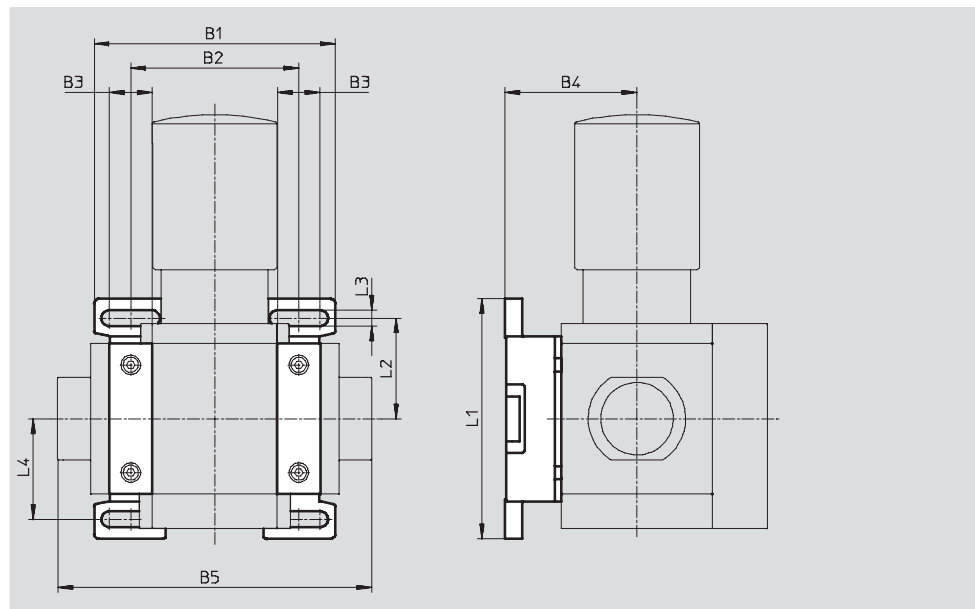
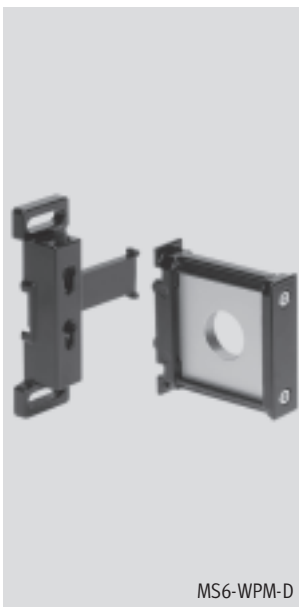
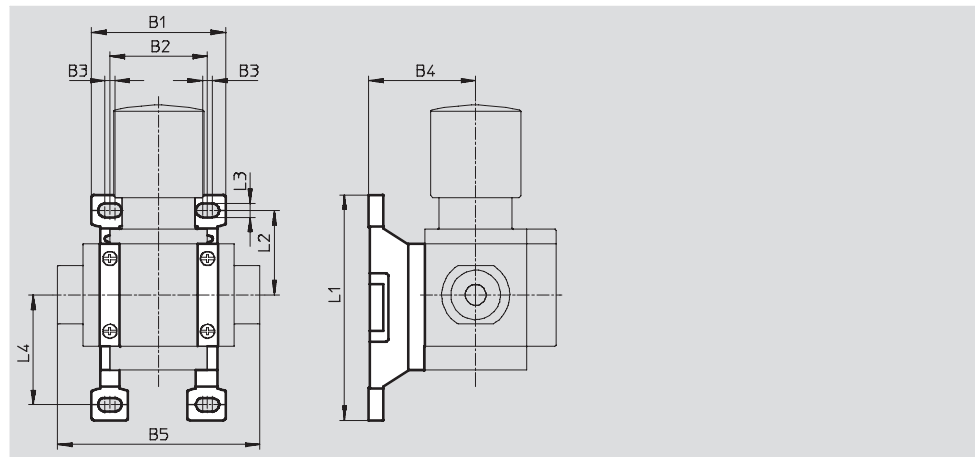
Mounting bracket MS4/6-WPM

(order code: WPM)

- For connecting the modules for wall mounting
- In combination with a connecting plate MS4/6-AG... for mounting an individual unit on a wall
- Speedy attachment and detachment
- For installation of modules with regulating knob pointing downwards

The distance piece D or 2D (designated in the type code) is included in the scope of delivery and ensures the correct clearance

Material:
Die-cast aluminium



Dimensions and ordering data													
Size	B1	B2	B3	B4	B5	L1	L2	L3	L4	Clearance	Weight [g]	Part No.	Type
MS4	55.2	40	4	44	83.4	92.8	34.8	5.6	45.2	40	45	526 060	MS4-WPM-D
	95.2	80			123.4					80	55	526 061	MS4-WPM-2D
MS6	99	69	17.5	54	129	98.6	41.3	6.6	41.3	62	144	526 073	MS6-WPM-D
	168	138			198					124	154	532 186	MS6-WPM-2D

MS series service units

Accessories



Wall mounting plate MS12-WP

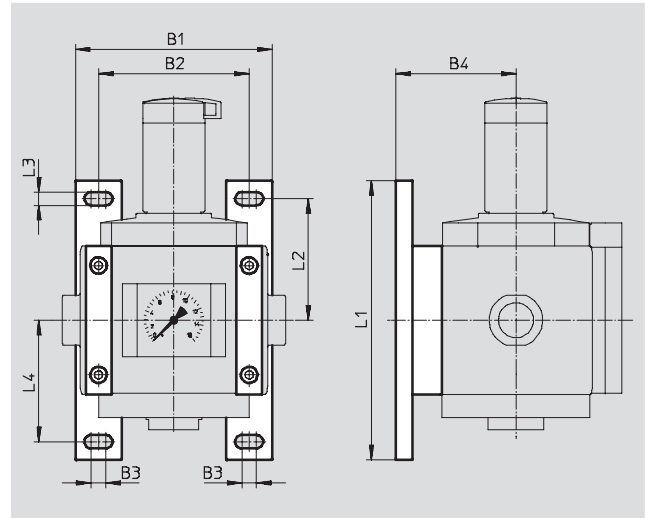
(order code: WP)

- For connecting the modules for wall mounting
- In combination with a connecting plate for mounting an individual unit on a wall

Material:

Die-cast aluminium

Free of copper and PTFE



Dimensions and ordering data											
Size	B1	B2	B3	B4	L1	L2	L3	L4	Weight [g]	Part No.	Type
MS12	162	124	12	99	230	100	11	100	700	537 133	MS12-WP

Module connector MS...-MV

- For connecting modules

Material:

MS4/6: Stainless steel/polyacetate

MS12: Die-cast aluminium,

free of copper and PTFE



MS4/6



MS12

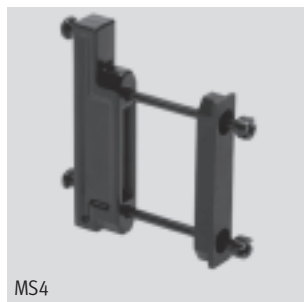
Ordering data			
Size	Weight [g]	Part No.	Type
MS4	36	532 798	MS4-MV
MS6	54	532 799	MS6-MV
MS12	500	537 134	MS12-MV

Module connector MS4/6-MVM

- For installation of modules with regulating knob pointing downwards

Material:

Die-cast aluminium



MS4



MS6

Ordering data		
Size	Part No.	Type
MS4	532 800	MS4-MVM
MS6	532 801	MS6-MVM

MS series service units

Accessories

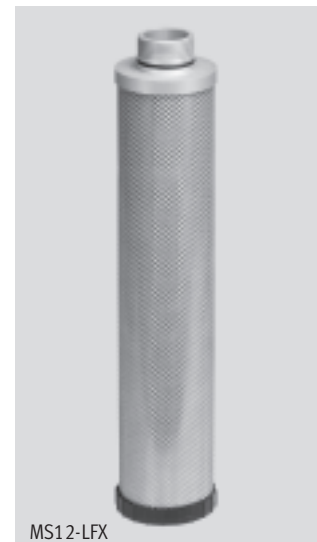
FESTO

Filter cartridge MS4/6-LF...



Ordering data				
Size		Grade of filtration [µm]	Part No.	Type
MS4	Micro-filter cartridge	0.01	162 674	MS4/D-MINI-LFM-A
	Fine-filter cartridge	1	162 677	MS4/D-MINI-LFM-B
	Filter cartridge	5	534 501	MS4-LFP-C
	Filter cartridge	40	534 502	MS4-LFP-E
	Active carbon filter cartridge	–	532 912	MS4/D-MINI-LFX
MS6	Micro-filter cartridge	0.01	532 909	MS6-LFM-A
	Micro-filter cartridge (for variant HF, high flow rate)	0.01	552 093	MS6-LFM-A-HF
	Fine-filter cartridge	1	532 910	MS6-LFM-B
	Fine-filter cartridge (for variant HF, high flow rate)	1	552 092	MS6-LFM-B-HF
	Filter cartridge	5	534 499	MS6-LFP-C
	Filter cartridge	40	534 500	MS6-LFP-E
	Active carbon filter cartridge	–	532 911	MS6-LFX
	Active carbon filter cartridge (for variant HF, high flow rate)	–	552 094	MS6-LFX-HF

Filter cartridge MS12-LF...

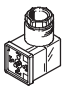


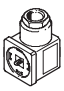
Ordering data				
Size		Grade of filtration [µm]	Part No.	Type
MS12	Micro-filter cartridge	0.01	537 146	MS12-LFM-A
	Fine-filter cartridge	1	537 145	MS12-LFM-B
	Filter cartridge	5	537 143	MS12-LFP-C
	Filter cartridge	40	537 144	MS12-LFP-E
	Active carbon filter cartridge	–	537 147	MS12-LFX

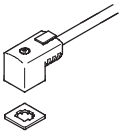
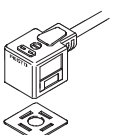
MS series service units


Accessories

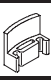
FESTO

Ordering data – Angled socket PEV						Technical data → www.festo.com	
	Description	Operating voltage range	Electrical connection	Switching status display	Part No.	Type	
	for PEV-1/4-...-OD	15 ... 30 V DC	4-pin	Yellow LED	164 274	PEV-1/4-WD-LED-24	
		≤ 230 V AC ≤ 180 V DC	4-pin	Yellow LED	164 275	PEV-1/4-WD-LED-230	

Ordering data – Plug socket MSSD						Technical data → www.festo.com	
	Description	Operating voltage range	Electrical connection	Type of mounting cable connection	Part No.	Type	
	for PEV-1/4-...-OD	≤ 250 V AC/DC	3-pin	Clamping screws	171 157	MSSD-C-4P	
	for MS4/6-EE/DE	≤ 250 V AC/DC	3-pin	Clamping screws	151 687	MSSD-EB	
			4-pin	Insulation displacement technology	192 745	MSSD-EB-S-M14	
	for MS12-EE/DE	≤ 250 V AC/DC	3-pin	Clamping screws	34 583	MSSD-C	
4-pin			Insulation displacement technology	192 748	MSSD-C-S-M16		

Ordering data – Plug socket with cable KMEB/KMC							Technical data → www.festo.com	
	Description	Operating voltage range	Electrical connection	Switching status display	Cable length [m]	Part No.	Type	
	for MS4/6-EE/DE	24 V DC	2-pin	LED	2.5	547 268	KMEB-3-24-2,5-LED	
				–	5	547 269	KMEB-3-24-5-LED	
			–	2.5	547 270	KMEB-3-24-2,5		
				5	547 271	KMEB-3-24-5		
		3-pin	LED	2.5	151 688	KMEB-1-24-2,5-LED		
				5	151 689	KMEB-1-24-5-LED		
		10	–	2.5	193 457	KMEB-1-24-10-LED		
				5	151 690	KMEB-1-230AC-2,5		
	for MS12-EE/DE	24 V DC	3-pin	LED	2.5	30 931	KMC-1-24DC-2,5-LED	
					5	30 933	KMC-1-24DC-5-LED	
			10	–	2.5	193 459	KMC-1-24-10-LED	
					5	30 932	KMC-1-230AC-2,5	
		3-pin	–	2.5	30 934	KMC-1-230AC-5		
				5				

Ordering data – Illuminating seal MEB-LD/MC-LD					Technical data → www.festo.com	
	Description	Operating voltage range	Part No.	Type		
	for plug socket with cable KMEB and plug socket MSSD-EB	12 ... 24 V DC	151 717	MEB-LD-12-24DC		
		230 V DC/AC ±10%	151 718	MEB-LD-230AC		
	for plug socket with cable KMC and plug socket MSSD-C	12 ... 24 V DC	19 145	MC-LD-12-24DC		
		230 V DC/AC ±10%	19 146	MC-LD-230AC		


Ordering data – Locking clip CPV18-HV					Technical data → www.festo.com	
	Description	Part No.	Type	PU ¹⁾		
	for MS4/6-EE/DE-...-V24				530 056	CPV18-HV
	Cover for manual override, the clip prevents actuation					10


1) Packaging unit quantity

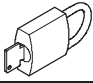
MS series service units

Accessories



Ordering data – Silencer U			Technical data → www.festo.com	
	Description	Pneumatic connection	Part No.	Type
	for MS4-EM1/EE	G1/4	6 842	U-1/4-B
	for MS6-EM1/EE	G1/2	6 844	U-1/2-B
	for MS12-EM/EE	G1	151 990	U-1-B

Ordering data – Double nipple ESK					
	Description	Pneumatic connection		Part No.	Type
	Adjustable for angular compensation • For retro-fitting pressure switch PEV or pressure sensor SDE1 to branching module MS-FRM	R1/8	R1/4	534 151	ESK-1/8-1/4
		R1/4	R1/4	151 521	ESK-1/4-1/4
			R1/2	534 153	ESK-1/4-1/2

Ordering data – Padlock LRVS-D				
	Description	Weight [g]	Part No.	Type
	for filter or pressure regulators	120	193 786	LRVS-D

Ordering data – Special oil OFSW				
	Description	Scope of delivery	Part No.	Type
	for lubricators	1 litre	152 811	OFSW-32