



MS series service units

Product overview




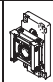

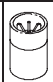


Type	Accessories for size			→ Page	
	MS4	MS6	MS12		
Cover plates					
Connecting plate MS-AG...		■	■	■	11-4
Cover cap MS-END		■	■	-	11-5
Mounting plate MS-AEND		■	■	-	11-5
Mounting attachments for individual devices					
Mounting bracket MS-WB		■	■	-	11-6
Mounting bracket MS-WBM		■	-	-	11-6
Mounting bracket MS-WR		■	■	-	11-7
Hex nut MS-WRS		■	■	-	11-7
Mounting attachments for individual devices/combinations					
Wall mounting plate MS-WP		■	■	■	11-9, 11-11
Wall mounting plate MS-WPB		■	■	-	11-9
Wall mounting plate MS-WPM		■	■	-	11-10
Connectors					
Module connector MS-MV		■	■	■	11-11
Module connector MS-MVM		■	■	-	11-11
Module connector MS-RMV		■	■	-	11-12, 11-13
Module connector MS-AMV		■	■	-	11-12, 11-14

MS series service units

Product overview

FESTO

Type	Accessories for size			→ Page	
	MS4	MS6	MS12		
Adapter for mounting on profiles					
Pressure supply modules MS-E-IPM-40-80		■	■	-	11-15, 11-16
Pressure supply modules MS-E-IPM-80-80		■	■	-	11-15, 11-17
Branching modules MS-A-IPM-80		■	■	-	11-15, 11-18
Branching modules MS-A-RMV-IPM-80		■	■	-	11-15, 11-19
Sealing rings MS-NNR		■	■	-	11-15, 11-20
Filter cartridges					
Filter cartridges MS-LF...		■	■	■	11-21
Other accessories					
Pressure switch PEV	■	■	■	-	11-22
Pressure sensor SDE1	■	■	■	-	11-22
Angled plug socket PEV	■	■	■	-	11-23
Plug socket MSSD	■	■	■	■	11-23
Plug socket with cable KMEB/KMC	■	■	■	■	11-23
Illuminating seal MEB-LD/MC-LD	■	■	■	■	11-23
Locking clip CPV18-HV	■	■	■	-	11-23
Plug socket with cable SIM	■	■	■	■	11-24
Pressure gauge MA	■	■	■	■	11-24
Silencer U	■	■	■	■	11-25
Double nipple ESK	■	■	■	-	11-25
Padlock LRVS-D	■	■	■	■	11-25
Special oil OFSW	■	■	■	■	11-25

MS series service units

Accessories

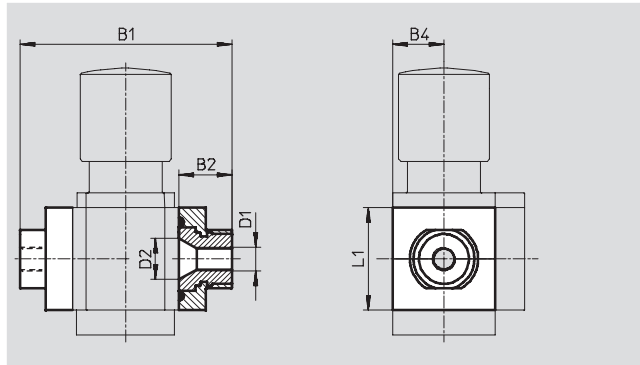


Connecting plate MS4/6-AG...

(order code: AG...)

- Adapter for pneumatic connection
- MS6-AGE for implementing threaded connection G $\frac{3}{4}$

Material:
Aluminium



Dimensions and ordering data									
Size	B1	B2	B4	D1	D2	L1	Weight [g]	Part No.	Type
MS4	83.5	21.5	21	G $\frac{1}{8}$	16.8	42	128	526 068	MS4-AGA
				G $\frac{1}{4}$				526 069	MS4-AGB
				G $\frac{3}{8}$				526 070	MS4-AGC
MS6	115	26.5	31	G $\frac{1}{4}$	24	62	300	526 080	MS6-AGB
				G $\frac{3}{8}$				526 081	MS6-AGC
				G $\frac{1}{2}$				526 082	MS6-AGD
				G $\frac{3}{4}$				526 083	MS6-AGE

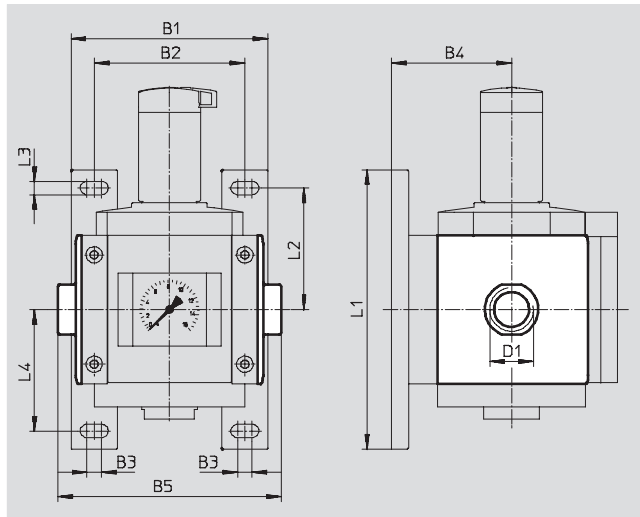
-||- Note: This product conforms with the ISO 1179-1 standard and the ISO 228-1 standard.

Connecting plate MS12-AG...

(order code: AG...)

- Adapter for pneumatic connection

Material:
Die-cast aluminium
Free of copper and PTFE



Dimensions and ordering data													
Size	B1	B2	B3	B4	B5	D1	L1	L2	L3	L4	Weight [g]	Part No.	Type
MS12	162	124	12	99	184	G1	230	100	11	100	1,300	537 135	MS12-AGF
					184	G $\frac{1}{4}$						537 136	MS12-AGG
					184	G $\frac{1}{2}$						537 137	MS12-AGH
					196	G2						537 138	MS12-AGI

-||- Note: This product conforms with the ISO 1179-1 standard and the ISO 228-1 standard.

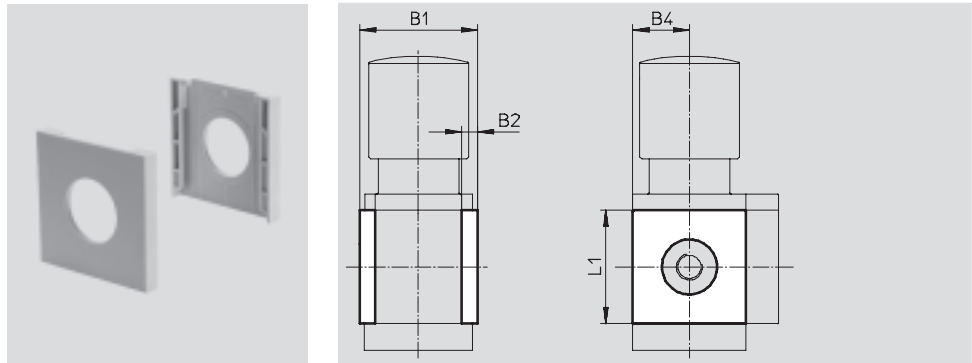
MS series service units

Accessories

Cover cap MS4/6-END

- Can be used to cover the body sides of the first and last module if connecting plates are not used.

Material:
Reinforced polyamide
Free of copper and PTFE



Dimensions and ordering data						
Size	B1	B2	B4	L1	Part No.	Type
MS4	43.6	6	21	42	538 779	MS4-END
MS6	67	8	31	62	538 780	MS6-END

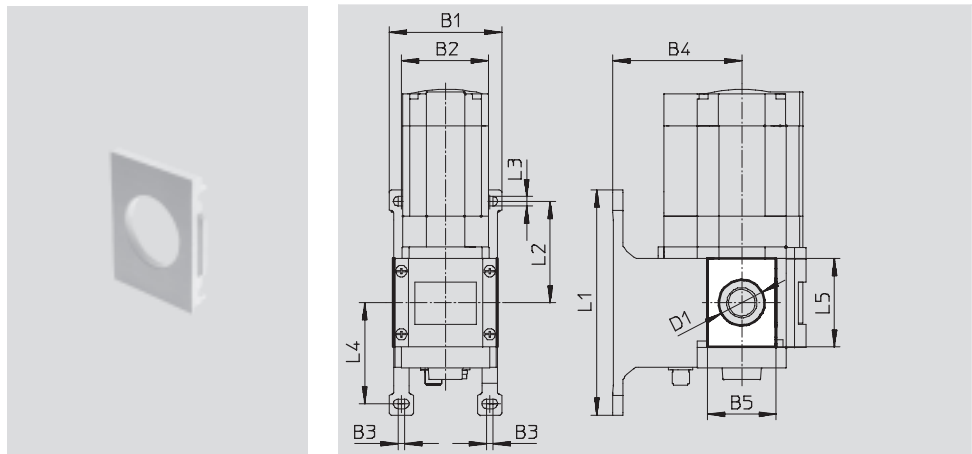
• Note: This product conforms with the ISO 1179-1 standard and the ISO 228-1 standard.


Mounting plate MS4/6-AEND

(order code: WBE; scope of delivery includes wall mounting plate MS6-WPB)

- In combination with wall mounting plate MS-WP or MS-WPB for mounting an individual unit on a wall with direct thread

Material:
Reinforced polyamide
Conforms to RoHS
Free of copper and PTFE



Dimensions and ordering data														Weight [g]	Part No.	Type	
Size	B1	B2	B3	B4		B5	D1	L1	L2	L3	L4	L5	CRC ¹⁾				
				WP	WPB		∅										
MS4	55.2	40.2	4	44	66	30.4	20.3	106	46.5	5.6	46.7	42	2	4	542 966	MS4-AEND	 New
MS6	79	62	4.5	54	90.5	48.4	32	158	71	6.6	71	62	2	17	535 408	MS6-AEND	

1) Corrosion resistance class 2 according to Festo standard 940 070
Components requiring moderate corrosion resistance. Externally visible parts with primarily decorative surface requirements which are in direct contact with a normal industrial environment or media such as coolants or lubricating agents.

MS series service units

Accessories



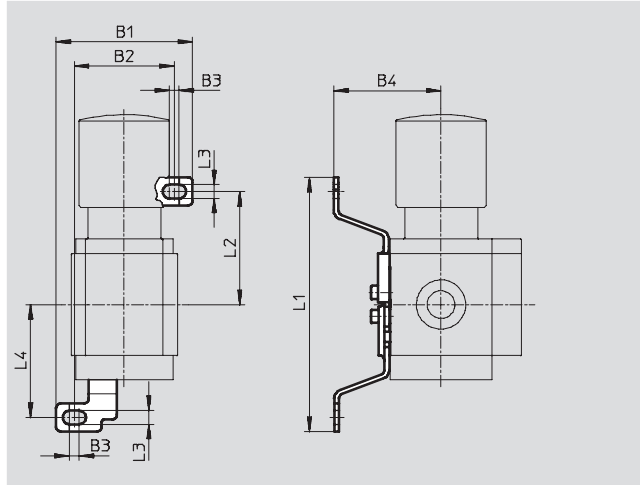
Mounting bracket MS4/6-WB

(order code: WB)

- For wall mounting

Material:

Steel



Dimensions and ordering data											
Size	B1	B2	B3	B4	L1	L2	L3	L4	Weight [g]	Part No.	Type
MS4	56.2	41.2	4	44.2	104.6	46.6	5.6	46.5	46	532 185	MS4-WB
MS6	79.4	61.9	4.5	55	157.6	71	6.6	71	121	532 196	MS6-WB

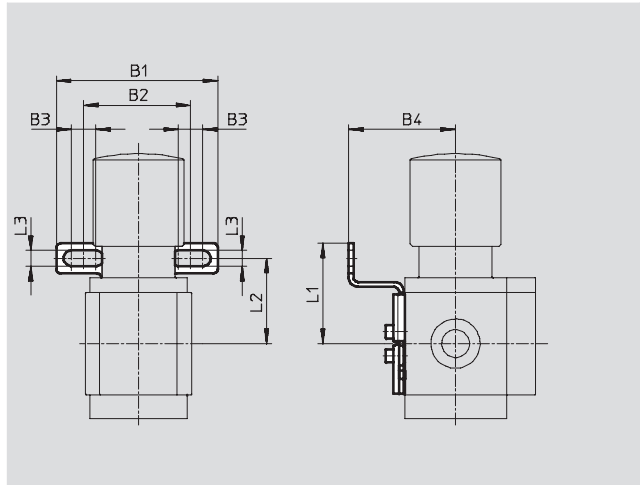
Mounting bracket MS4-WBM

(order code: WBM)

- For wall mounting

Material:

Steel



Dimensions and ordering data											
Size	B1	B2	B3	B4	L1	L2	L3	Weight [g]	Part No.	Type	
MS4	66.5	44	10	44	41.3	35	6.5	48	526 062	MS4-WBM	

MS series service units

Accessories



Mounting bracket MS4/6-WR

(order code: WR)

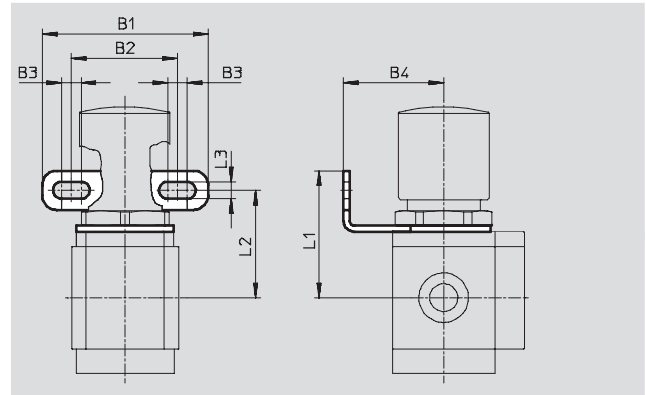
- For wall mounting
- For filter regulator, pressure regulator

Material:
Steel



Note

The hex nut for attaching components to this bracket must be ordered separately.

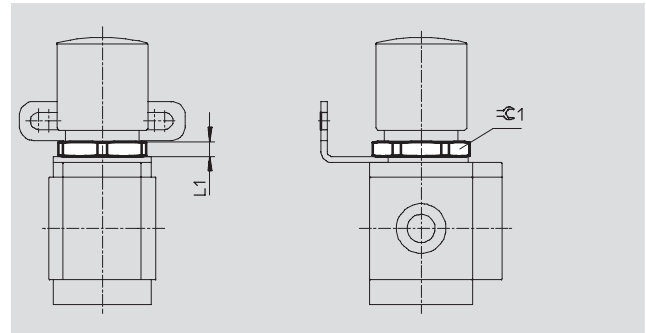


Dimensions and ordering data										
Size	B1	B2	B3	B4	L1	L2	L3	Weight [g]	Part No.	Type
MS4	68	44	8	41	52	44	7	49	526 064	MS4-WR
MS6	70	42	8.2	40	67	57	7.1	90	526 075	MS6-WR

Hex nut MS4/6-WRS

- For front panel mounting
- For attaching components to the mounting bracket MS...-WR

Material:
Aluminium



Dimensions and ordering data					
Size	L1	∅ 1	Weight [g]	Part No.	Type
MS4	6	36	6.9	532 187	MS4-WRS
MS6	7	55	20.9	532 188	MS6-WRS

MS series service units

Accessories



Mounting bracket MS4/6-WP...

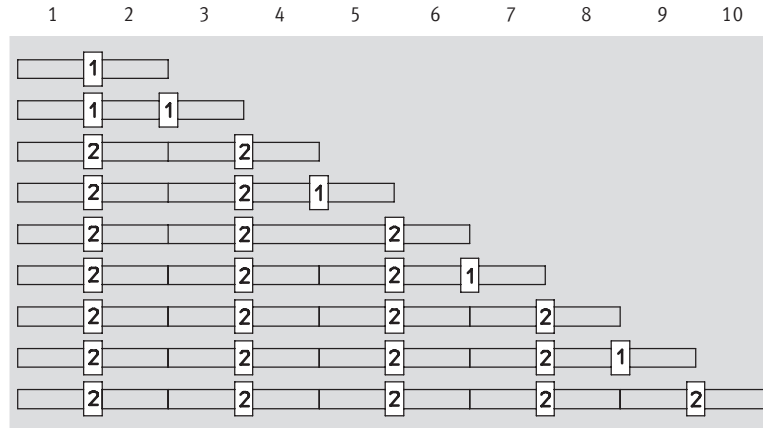
Clearances for mounting service unit combinations

1 unit
MS4-...: 40 mm
MS6-...: 62 mm

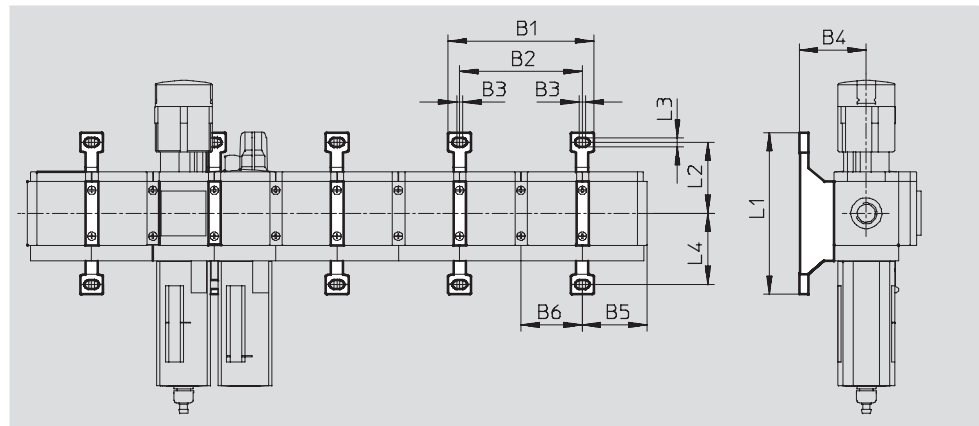
2 units
MS4-...: 80 mm
MS6-...: 124 mm with WP, WPB
138 mm with WPM-2D

- 1 Mounting bracket WP, WPB or WPM-D
- 2 Mounting bracket WP, WPB or WPM-2D

Number of units



Mounting dimensions



Type	B1	B2	B3	B4	B5	B6	L1	L2	L3	L4
MS4-WP	95.2	80	4	44	41.9	40	106	46.5	5.6	46.7
MS4-WPB				66						
MS4-WPM-...D				44						
MS6-WP	141	124	4.5	54	64.5	62	158	71	6.6	71
MS6-WPB				90.5						
MS6-WPM-...D				168						

MS series service units

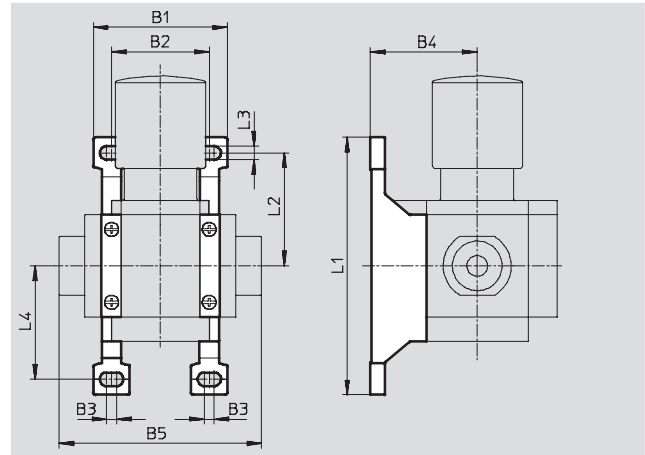
Accessories



Mounting bracket MS4/6-WP

(order code: WP)

- For connecting the modules for wall mounting
- In combination with a connecting plate MS4/6-AG... for mounting an individual unit on a wall
- In combination with mounting plate MS-AEND or for mounting an individual unit with direct thread on a wall
- For pressure regulator LRB with angled outlet block B... at rear



Material:

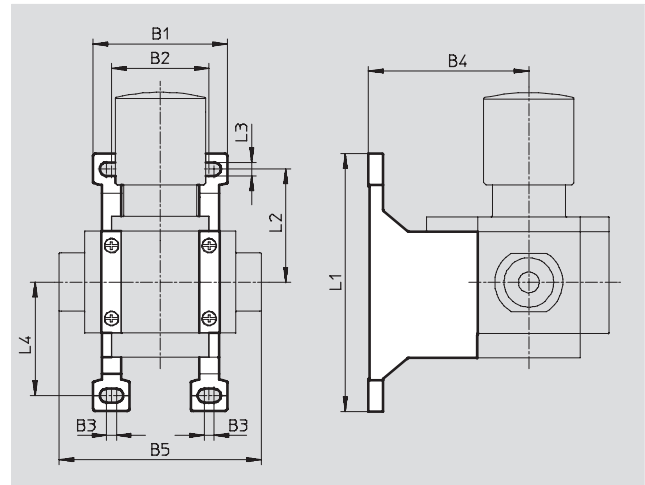
Die-cast aluminium

Dimensions and ordering data												
Size	B1	B2	B3	B4	B5	L1	L2	L3	L4	Weight [g]	Part No.	Type
MS4	55.2	40.2	4	44	83.4	106	46.5	5.6	46.7	39	532 184	MS4-WP
MS6	79	62	4.5	54	115	158	71	6.6	71	76	532 195	MS6-WP

Mounting bracket MS4/6-WPB

(order code: WPB)

- For connecting the modules for wall mounting
- In combination with a connecting plate MS4/6-AG... for mounting an individual unit on a wall
- In combination with mounting plate MS-AEND or for mounting an individual unit with direct thread on a wall
- Provides large wall gap for pressure regulator



Material:

Die-cast aluminium

Dimensions and ordering data												
Size	B1	B2	B3	B4	B5	L1	L2	L3	L4	Weight [g]	Part No.	Type
MS4	55.2	40.2	4	66	83.4	106	46.5	5.6	46.7	55	526 063	MS4-WPB
MS6	79	62	4.5	90.5	115	158	71	6.6	71	115	526 074	MS6-WPB

MS series service units

Accessories



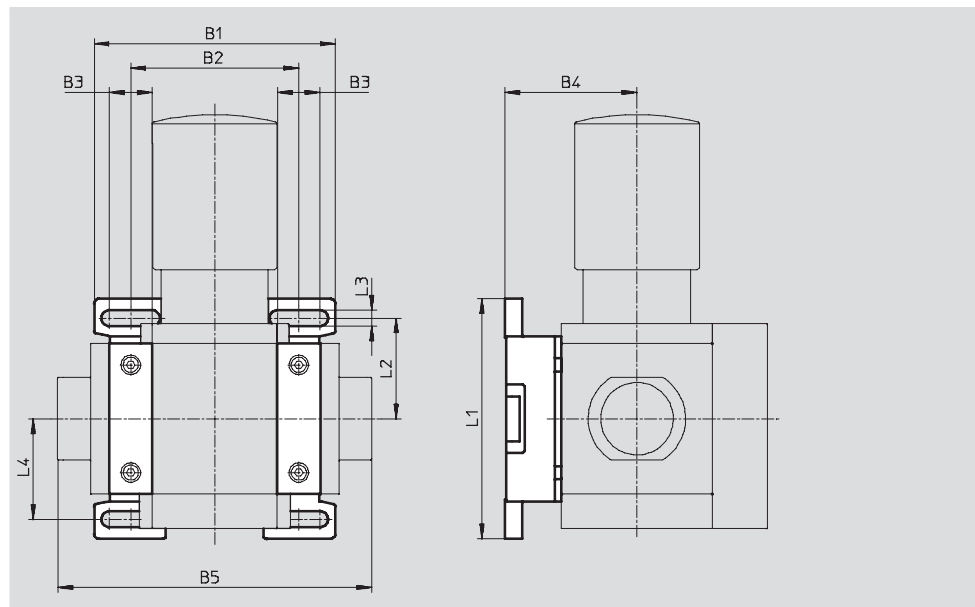
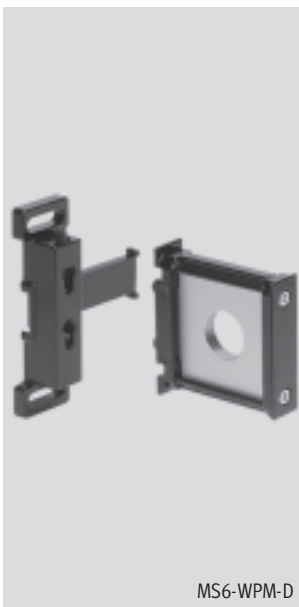
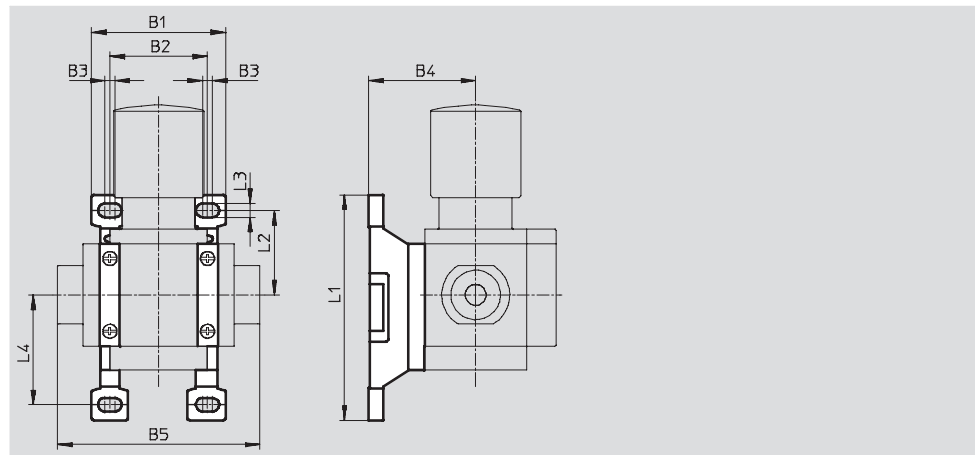
Mounting bracket MS4/6-WPM

(order code: WPM)

- For connecting the modules for wall mounting
- In combination with a connecting plate MS4/6-AG... for mounting an individual unit on a wall
- Speedy attachment and detachment
- For installation of modules with regulating knob pointing downwards

The distance piece D or 2D (designated in the type code) is included in the scope of delivery and ensures the correct clearance

Material:
Die-cast aluminium



Dimensions and ordering data													
Size	B1	B2	B3	B4	B5	L1	L2	L3	L4	Clearance	Weight [g]	Part No.	Type
MS4	55.2	40	4	44	83.4	92.8	34.8	5.6	45.2	40	45	526 060	MS4-WPM-D
	95.2	80			123.4					80	55	526 061	MS4-WPM-2D
MS6	99	69	17.5	54	129	98.6	41.3	6.6	41.3	62	144	526 073	MS6-WPM-D
	168	138			198					124	154	532 186	MS6-WPM-2D

MS series service units

Accessories

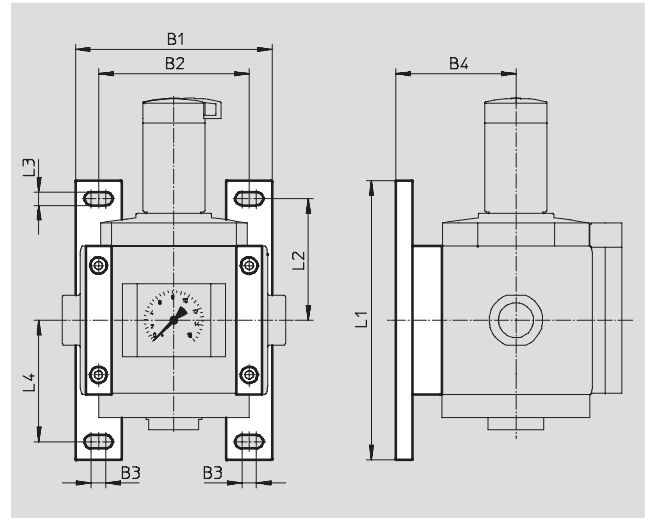


Wall mounting plate MS12-WP

(order code: WP)

- For connecting the modules for wall mounting
- In combination with a connecting plate for mounting an individual unit on a wall

Material:
Die-cast aluminium
Free of copper and PTFE



Dimensions and ordering data											
Size	B1	B2	B3	B4	L1	L2	L3	L4	Weight [g]	Part No.	Type
MS12	162	124	12	99	230	100	11	100	700	537 133	MS12-WP

Module connector MS...-MV

- For connecting modules

Material:
MS4/6: Stainless steel/polyacetate

MS12: Die-cast aluminium,
free of copper and PTFE



MS4/6



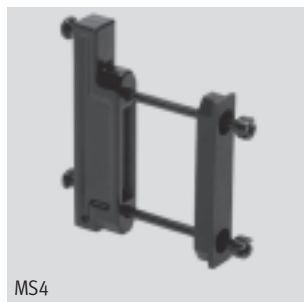
MS12

Ordering data			
Size	Weight [g]	Part No.	Type
MS4	36	532 798	MS4-MV
MS6	54	532 799	MS6-MV
MS12	500	537 134	MS12-MV

Module connector MS4/6-MVM

- For installation of modules with regulating knob pointing downwards

Material:
Die-cast aluminium



MS4

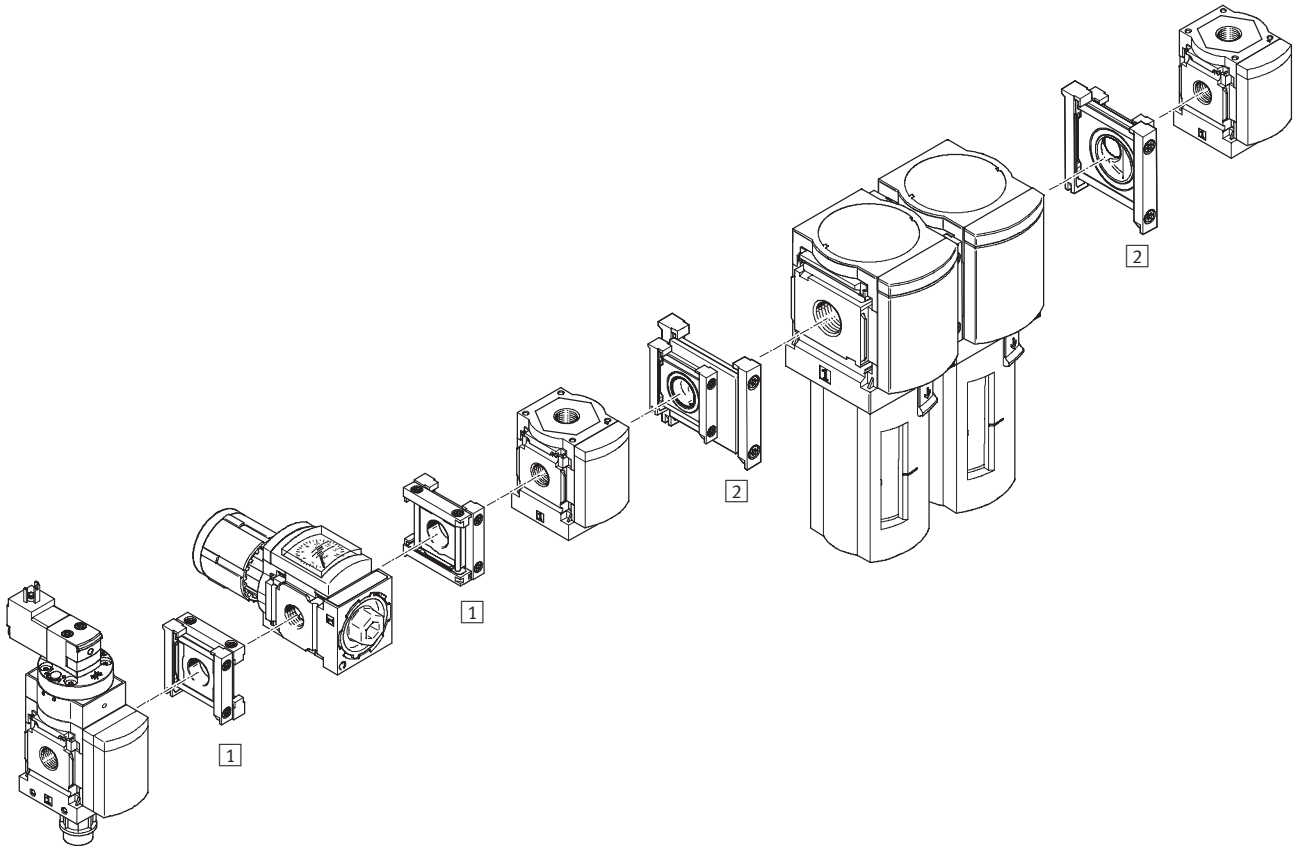


MS6


Ordering data		
Size	Part No.	Type
MS4	532 800	MS4-MVM
MS6	532 801	MS6-MVM

MS series service units

Accessories



Mounting attachments		→ Page
1	Module connector MS4/6-RMV	11-13
2	Module connector MS4-6-AMV	11-14

 - Note
Mounting attachments for wall mounting → 11-8

MS series service units

Accessories

Module connector MS4/6-RMV

- For connecting service units at right angles to the axis of connection

Material:

Connecting plate, module connector:

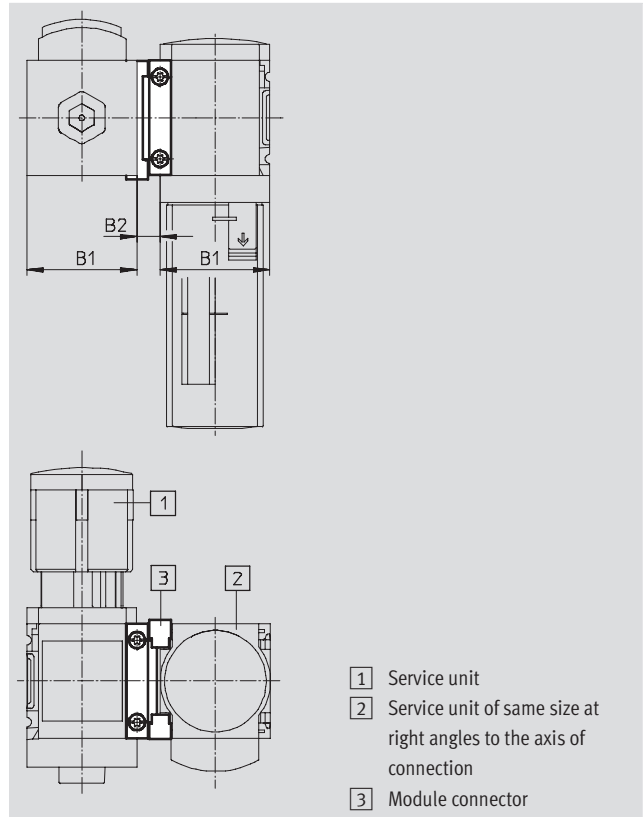
Die-cast aluminium

Sealing ring: Nitrile rubber

Conforms to RoHS

Temperature of medium:

-10 ... +60 °C



- 1 Service unit
- 2 Service unit of same size at right angles to the axis of connection
- 3 Module connector

Dimensions and ordering data						
Size	B1	B2	CRC ¹⁾	Weight [g]	Part No.	Type
MS4	40.2	8.5	2	50	543 490	MS4-RMV
MS6	62	11	2	80	543 491	MS6-RMV

1) Corrosion resistance class 2 to Festo standard 940 070
 Components subject to moderate corrosion stress. Externally visible parts with primarily decorative surface requirements which are in direct contact with a normal industrial environment or media such as coolants or lubricating agents.

MS series service units

Accessories

Module connector MS4-6-AMV

- For connecting MS4 and MS6 service units as one unit

Material:

Connecting plate, module connector:

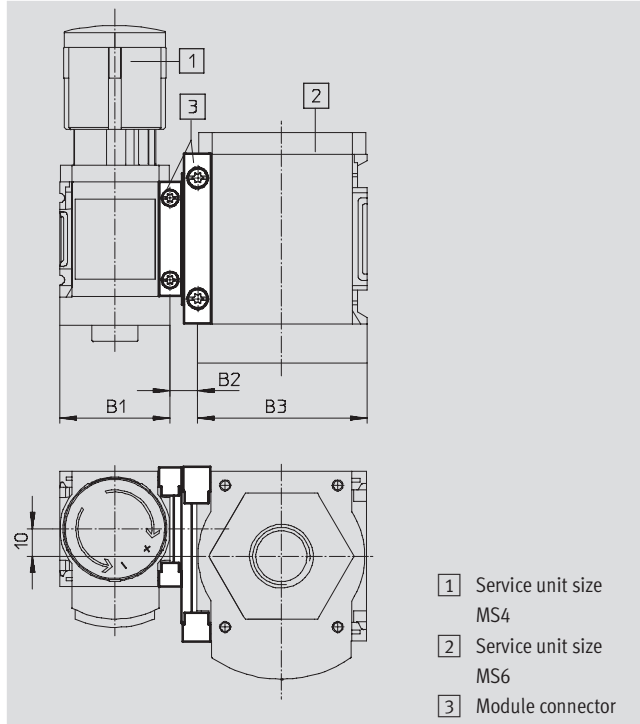
Die-cast aluminium

Sealing ring: Nitrile rubber

Conforms to RoHS

Temperature of medium:

-10 ... +60 °C



- 1 Service unit size MS4
- 2 Service unit size MS6
- 3 Module connector

Dimensions and ordering data

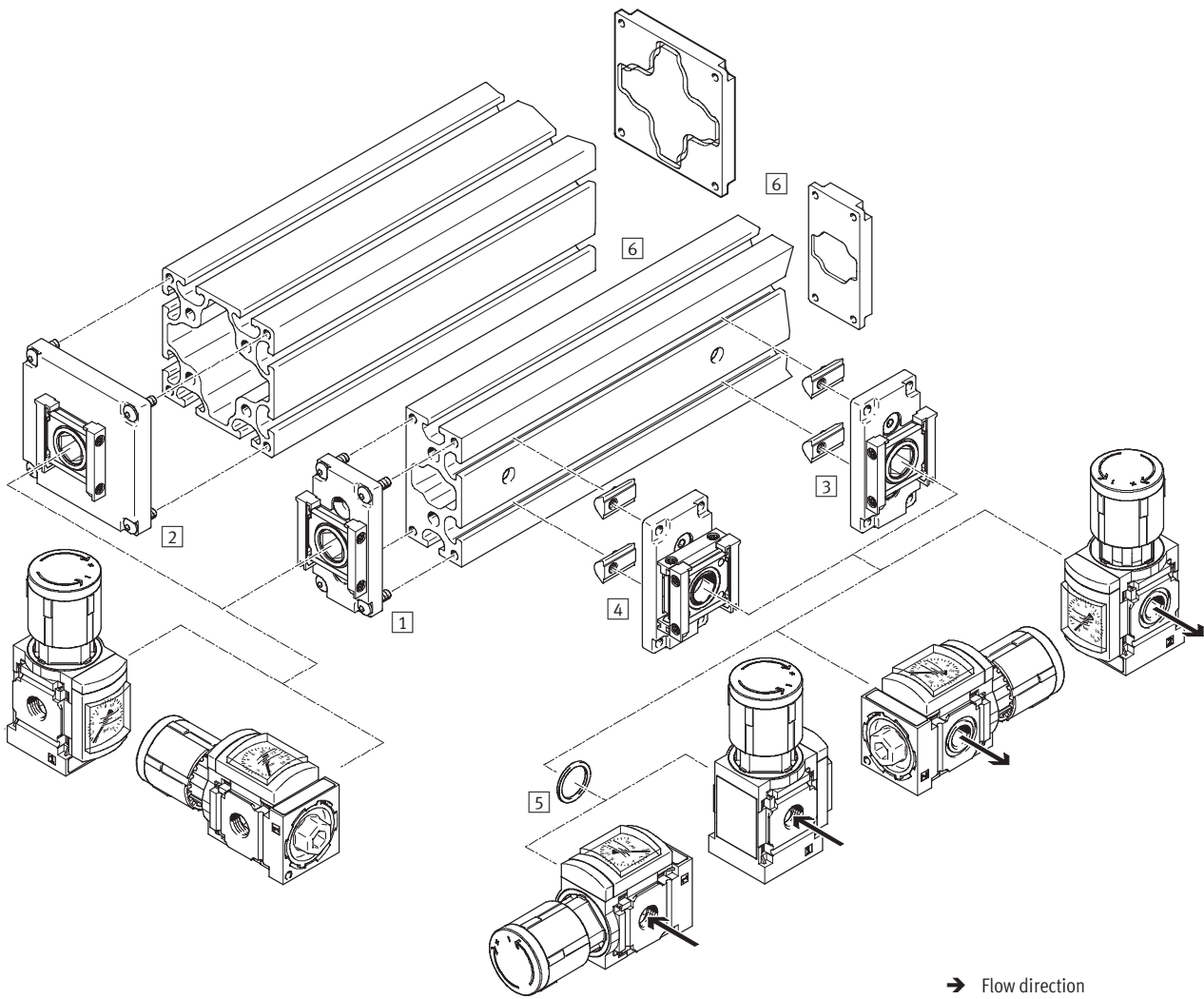
Size	B1	B2	B3	CRC ¹⁾	Weight [g]	Part No.	Type
MS4/6	40.2	10	62	2	200	543 489	MS4-6-AMV

1) Corrosion resistance class 2 to Festo standard 940 070

Components subject to moderate corrosion stress. Externally visible parts with primarily decorative surface requirements which are in direct contact with a normal industrial environment or media such as coolants or lubricating agents.


MS series service units

Accessories



→ Flow direction

Mounting attachments		→ Page
1	Pressure supply module MS4/6-E-IPM-40-80	11-16
2	Pressure supply module MS4/6-E-IPM-80-80	11-17
3	Branching module MS4/6-A-IPM-80	11-18
4	Branching module MS4/6-A-RMV-IPM-80	11-19
5	Sealing ring MS4/6-NNR	11-20
6	Profiles 40x80/80x80, cover plates, supply plates, drilling jigs	On request

 Note
Further mounting attachments are required for mounting a service unit combination → 11-8

MS series service units

Accessories

Pressure supply module

MS4/6-E-IPM-40-80

- For mounting a service unit on the end of a profile of size 40x80
- Module connector can be repositioned by 90° for horizontal mounting of the service unit

Material:

Connecting plate, hollow bolt, module connector: Die-cast aluminium

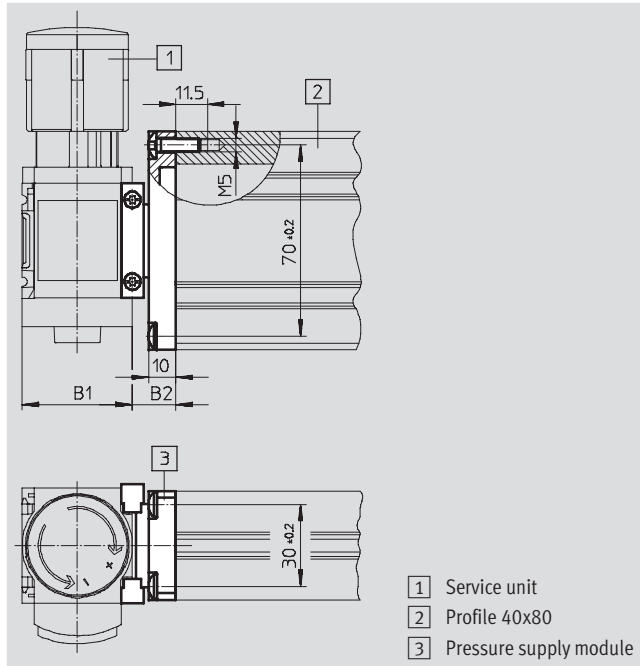
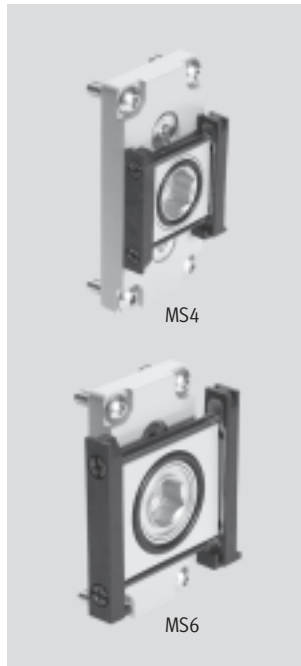
Screws: Steel

Seals: Nitrile rubber

Conforms to RoHS

Temperature of medium:

-10 ... +60 °C



Dimensions and ordering data						
Size	B1	B2	CRC ¹⁾	Weight [g]	Part No.	Type
MS4	40.2	16	2	90	543 494	MS4-E-IPM-40-80
MS6	62	16	2	210	543 496	MS6-E-IPM-40-80

1) Corrosion resistance class 2 to Festo standard 940 070
 Components subject to moderate corrosion stress. Externally visible parts with primarily decorative surface requirements which are in direct contact with a normal industrial environment or media such as coolants or lubricating agents.

MS series service units

Accessories

Pressure supply module

MS4/6-E-IPM-80-80

- For mounting a service unit on the end of a profile of size 80x80
- Module connector can be repositioned by 90° for horizontal mounting of the service unit

Material:

Connecting plate, hollow bolt, module connector: Die-cast aluminium

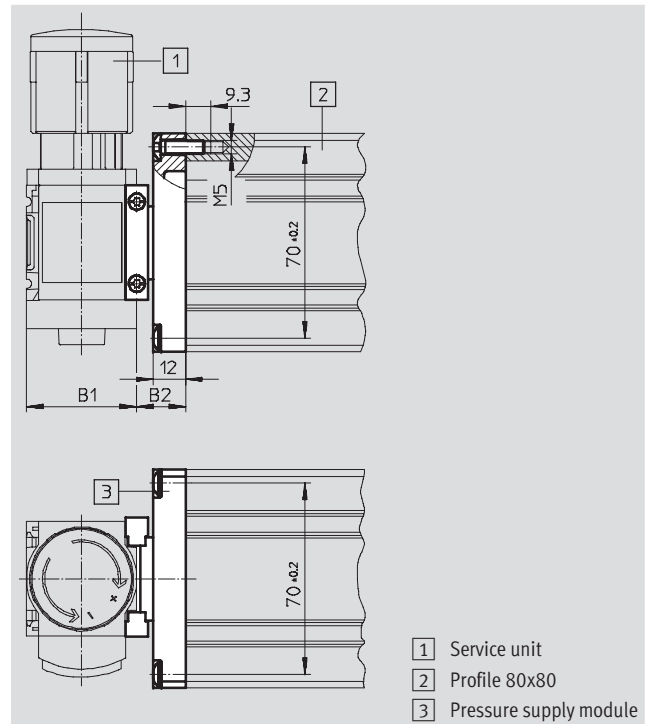
Screws: Steel

Seals: Nitrile rubber

Conforms to RoHS

Temperature of medium:

-10 ... +60 °C



Dimensions and ordering data						
Size	B1	B2	CRC ¹⁾	Weight [g]	Part No.	Type
MS4	40.2	18	2	100	543 495	MS4-E-IPM-80-80
MS6	62	18	2	240	543 497	MS6-E-IPM-80-80

1) Corrosion resistance class 2 to Festo standard 940 070
 Components subject to moderate corrosion stress. Externally visible parts with primarily decorative surface requirements which are in direct contact with a normal industrial environment or media such as coolants or lubricating agents.

MS series service units

Accessories

Branching module MS4/6-A-IPM-80

- For mounting a service unit on the long side of a profile
- Module connector can be repositioned by 90° for horizontal mounting of the service unit

Material:

Connecting plate, hollow bolt, module

connector: Die-cast aluminium

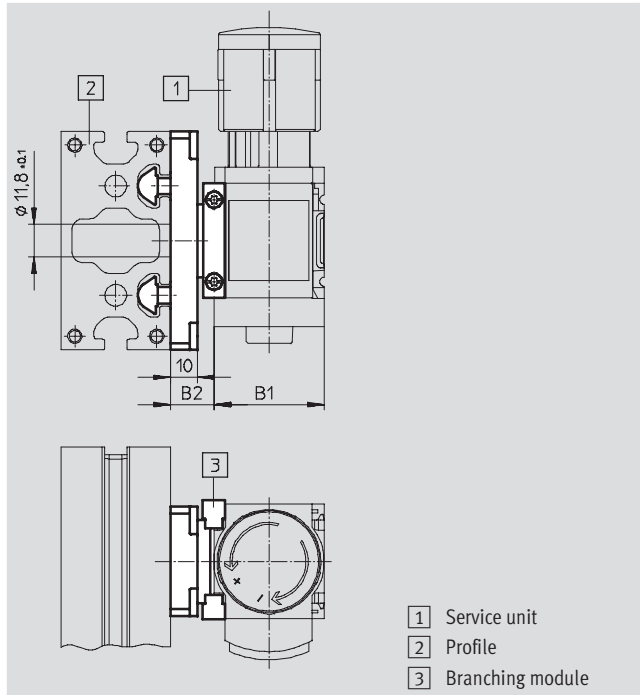
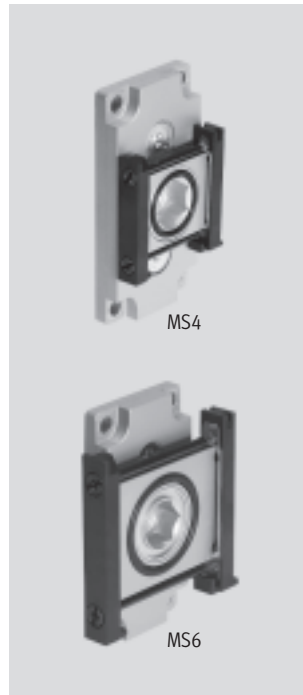
Screws: Steel

Seals: Nitrile rubber

Conforms to RoHS

Temperature of medium:

-10 ... +60 °C



- 1 Service unit
- 2 Profile
- 3 Branching module

Dimensions and ordering data						
Size	B1	B2	CRC ¹⁾	Weight [g]	Part No.	Type
MS4	40.2	16	2	90	543 498	MS4-A-IPM-80
MS6	62	16	2	200	543 499	MS6-A-IPM-80

1) Corrosion resistance class 2 to Festo standard 940 070

Components subject to moderate corrosion stress. Externally visible parts with primarily decorative surface requirements which are in direct contact with a normal industrial environment or media such as coolants or lubricating agents.

MS series service units

Accessories

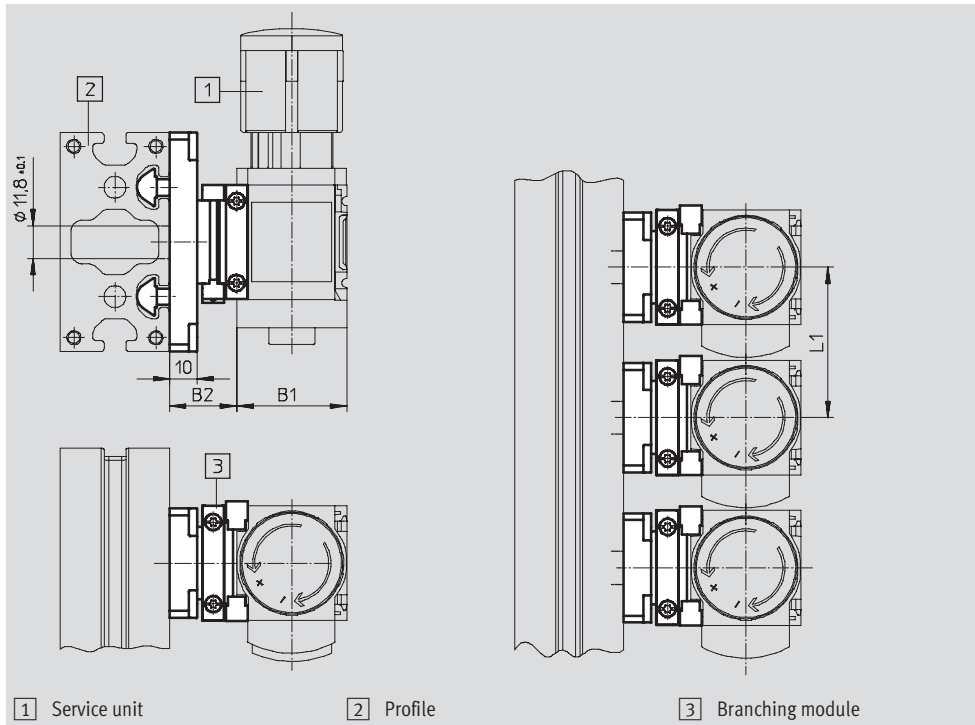
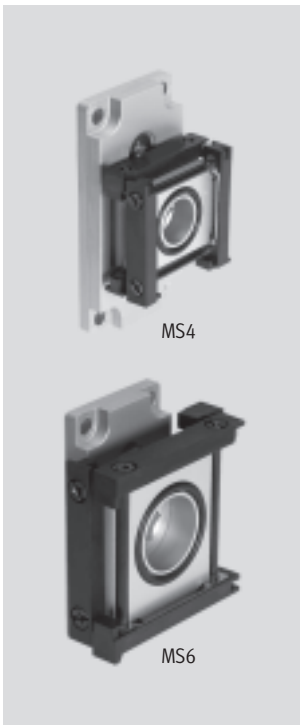
Branching module

MS4/6-A-RMV-IPM-80

- For mounting a service unit on the long side of a profile
- Suitable for manifold mounting (the fittings on the module connector can be accessed from above for fast replacement of an individual component)
- Module connector can be repositioned by 90° for horizontal mounting of the service unit

Material:
 Connecting plate, hollow bolt,
 module connector: Die-cast
 aluminium
 Screws: Steel
 Seals: Nitrile rubber
 Conforms to RoHS

Temperature of medium:
 -10 ... +60 °C



Dimensions and ordering data							
Size	B1	B2	L1	CRC ¹⁾	Weight [g]	Part No.	Type
MS4	40.2	24.5	55	2	150	543 500	MS4-A-RMV-IPM-80
MS6	62	27	77	2	220	543 501	MS6-A-RMV-IPM-80

1) Corrosion resistance class 2 to Festo standard 940 070
 Components subject to moderate corrosion stress. Externally visible parts with primarily decorative surface requirements which are in direct contact with a normal industrial environment or media such as coolants or lubricating agents.

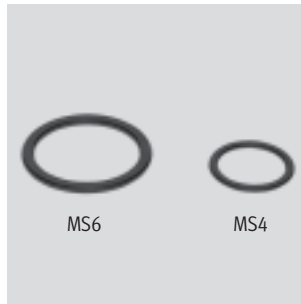
MS series service units

Accessories

Sealing ring MS4/6-NNR

- For sealing a branching module
MS-A-IPM when used as a pressure supply module

Material:
Nitrile rubber
Conforms to RoHS



Temperature of medium:
-10 ... +60 °C

Dimensions and ordering data				
Size	CRC ¹⁾	Weight [g]	Part No.	Type
MS4	2	1	543 492	MS4-NNR
MS6	2	1	543 493	MS6-NNR

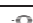


1) Corrosion resistance class 2 to Festo standard 940 070
Components subject to moderate corrosion stress. Externally visible parts with primarily decorative surface requirements which are in direct contact with a normal industrial environment or media such as coolants or lubricating agents.

MS series service units

Accessories

Filter cartridge MS4/6-LF...



Ordering data				
Size		Grade of filtration [µm]	Part No.	Type
MS4	Micro-filter cartridge	0.01	162 674	MS4/D-MINI-LFM-A
	Fine-filter cartridge	1	162 677	MS4/D-MINI-LFM-B
	Filter cartridge	5	534 501	MS4-LFP-C
	Filter cartridge	40	534 502	MS4-LFP-E
	Active carbon filter cartridge	–	532 912	MS4/D-MINI-LFX
MS6	Micro-filter cartridge	0.01	532 909	MS6-LFM-A
	Micro-filter cartridge (for variant HF, high flow rate)	0.01	552 093	MS6-LFM-A-HF 
	Fine-filter cartridge	1	532 910	MS6-LFM-B
	Fine-filter cartridge (for variant HF, high flow rate)	1	552 092	MS6-LFM-B-HF 
	Filter cartridge	5	534 499	MS6-LFP-C
	Filter cartridge	40	534 500	MS6-LFP-E
	Active carbon filter cartridge	–	532 911	MS6-LFX
	Active carbon filter cartridge (for variant HF, high flow rate)	–	552 094	MS6-LFX-HF 

Filter cartridge MS12-LF...

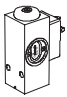
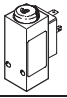
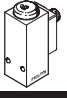


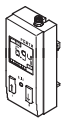

Ordering data				
Size		Grade of filtration [µm]	Part No.	Type
MS12	Micro-filter cartridge	0.01	537 146	MS12-LFM-A
	Fine-filter cartridge	1	537 145	MS12-LFM-B
	Filter cartridge	5	537 143	MS12-LFP-C
	Filter cartridge	40	537 144	MS12-LFP-E
	Active carbon filter cartridge	–	537 147	MS12-LFX

MS series service units

Accessories

FESTO

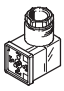
Ordering data – Pressure switch PEV					Technical data → www.festo.com	
	Pneumatic connection	Pressure switching point	Electrical connection	Order code	Part No.	Type
	G1/4	Adjustable with visual scale	Plug, square design to DIN EN 175 301, type A	X	161 760	PEV-1/4-SC-0D
	G1/4	Adjustable	Plug, square design to DIN EN 175 301, type A	Y	175 250	PEV-1/4-B-0D
	G1/4	Adjustable	Plug M12x1, 4-pin	M12	192 488	PEV-1/4-B-M12

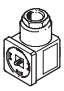
Ordering data – Pressure sensor SDE1					Technical data → www.festo.com		
	Pneumatic connection	Electrical output	Electrical connection	Display	Order code	Part No. Type	
Pressure sensor SDE1 for branching module MS-FRM, pressure measuring range 0 ... 10 bar, relative pressure measurement							
	Female thread G1/8	1 switch output PNP	M8x1, 3-pin	LCD	AD5	192 030 SDE1-D10-G2-H18-C-P1-M8	
		2 switch outputs PNP and 4 ... 20 mA analogue	M12x1, 5-pin	Illuminated LCD	AD6	534 062 SDE1-D10-G2-W18-L-2I-M12	
Pressure sensor SDE1 for direct mounting on the service unit with pressure gauge connection (adapter for pneumatic connection included in scope of delivery), pressure measuring range 0 ... 10 bar, relative pressure measurement							
	Male thread R1/8	1 switch output PNP	M8x1, 3-pin	LCD	–	192 026 SDE1-D10-G2-R18-C-P1-M8	
			M8x1, 3-pin	Illuminated LCD	–	529 970 SDE1-D10-G2-R18-L-P1-M8	
			M12x1, 3-pin	Illuminated LCD	–	534 064 SDE1-D10-G2-R18-L-P1-M12	
		2 switch outputs PNP	M8x1, 4-pin	LCD	–	192 027 SDE1-D10-G2-R18-C-P2-M8	
			M8x1, 4-pin	Illuminated LCD	–	529 971 SDE1-D10-G2-R18-L-P2-M8	
			1 switch output PNP and 0 ... 10 V analogue	M8x1, 4-pin	LCD	–	529 958 SDE1-D10-G2-R18-C-PU-M8
		M8x1, 4-pin		Illuminated LCD	–	529 972 SDE1-D10-G2-R18-L-PU-M8	
		Male thread R1/4	1 switch output PNP	M8x1, 3-pin	LCD	–	192 028 SDE1-D10-G2-R14-C-P1-M8
				M8x1, 3-pin	Illuminated LCD	–	529 967 SDE1-D10-G2-R14-L-P1-M8
	M12x1, 3-pin			Illuminated LCD	–	534 157 SDE1-D10-G2-R14-L-P1-M12	
	2 switch outputs PNP		M8x1, 4-pin	LCD	–	192 029 SDE1-D10-G2-R14-C-P2-M8	
			M8x1, 4-pin	Illuminated LCD	–	529 968 SDE1-D10-G2-R14-L-P2-M8	
	1 switch output PNP and 0 ... 10 V analogue		M8x1, 4-pin	LCD	–	529 957 SDE1-D10-G2-R14-C-PU-M8	
		M8x1, 4-pin	Illuminated LCD	–	529 969 SDE1-D10-G2-R14-L-PU-M8		

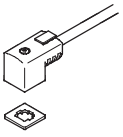
MS series service units


Accessories

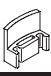
FESTO

Ordering data – Angled socket PEV					Technical data → www.festo.com	
	Description	Operating voltage range	Electrical connection	Switching status display	Part No.	Type
	for PEV-1/4-...-OD	15 ... 30 V DC	4-pin	Yellow LED	164 274	PEV-1/4-WD-LED-24
		≤ 230 V AC ≤ 180 V DC	4-pin	Yellow LED	164 275	PEV-1/4-WD-LED-230

Ordering data – Plug socket MSSD					Technical data → www.festo.com	
	Description	Operating voltage range	Electrical connection	Type of mounting cable connection	Part No.	Type
	for PEV-1/4-...-OD	≤ 250 V AC/DC	3-pin	Clamping screws	171 157	MSSD-C-4P
	for MS4/6-EE/DE	≤ 250 V AC/DC	3-pin	Clamping screws	151 687	MSSD-EB
			4-pin	Insulation displacement technology	192 745	MSSD-EB-S-M14
	for MS12-EE/DE	≤ 250 V AC/DC	3-pin	Clamping screws	34 583	MSSD-C
4-pin			Insulation displacement technology	192 748	MSSD-C-S-M16	

Ordering data – Plug socket with cable KMEB/KMC						Technical data → www.festo.com			
	Description	Operating voltage range	Electrical connection	Switching status display	Cable length [m]	Part No.	Type		
	for MS4/6-EE/DE	24 V DC	2-pin	LED	2.5	547 268	KMEB-3-24-2,5-LED		
					5	547 269	KMEB-3-24-5-LED		
				–	2.5	547 270	KMEB-3-24-2,5		
				5	547 271	KMEB-3-24-5			
			3-pin	LED	2.5	151 688	KMEB-1-24-2,5-LED		
					5	151 689	KMEB-1-24-5-LED		
				10	193 457	KMEB-1-24-10-LED			
		230 V AC	3-pin	–		2.5	151 690	KMEB-1-230AC-2,5	
						5	151 691	KMEB-1-230AC-5	
					for MS12-EE/DE	24 V DC	3-pin	LED	2.5
5	30 933								KMC-1-24DC-5-LED
230 V AC	3-pin	–		10	193 459	KMC-1-24-10-LED			
				2.5	30 932	KMC-1-230AC-2,5			
				5	30 934	KMC-1-230AC-5			

Ordering data – Illuminating seal MEB-LD/MC-LD				Technical data → www.festo.com	
	Description	Operating voltage range	Part No.	Type	
	for plug socket with cable KMEB and plug socket MSSD-EB	12 ... 24 V DC	151 717	MEB-LD-12-24DC	
		230 V DC/AC ±10%	151 718	MEB-LD-230AC	
	for plug socket with cable KMC and plug socket MSSD-C	12 ... 24 V DC	19 145	MC-LD-12-24DC	
		230 V DC/AC ±10%	19 146	MC-LD-230AC	


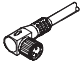
Ordering data – Locking clip CPV18-HV				Technical data → www.festo.com	
	Description	Part No.	Type	PU ¹⁾	
	for MS4/6-EE/DE-...-V24			530 056	CPV18-HV
	Cover for manual override, the clip prevents actuation				10


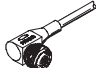
1) Packaging unit quantity


MS series service units

Accessories



Ordering data – Plug socket with cable SIM-M8			Technical data → www.festo.com	
	Electrical connection	Cable length [m]	Part No.	Type
	M8x1, 3-pin	2.5	159 420	SIM-M8-3GD-2,5-PU
		5	159 421	SIM-M8-3GD-5-PU
		10	192 964	SIM-M8-3GD-10-PU
	M8x1, 4-pin	2.5	158 960	SIM-M8-4GD-2,5-PU
		5	158 961	SIM-M8-4GD-5-PU
	M8x1, 3-pin	2.5	159 422	SIM-M8-3WD-2,5-PU
		5	159 423	SIM-M8-3WD-5-PU
		10	192 965	SIM-M8-3WD-10-PU
	M8x1, 4-pin	2.5	158 962	SIM-M8-4WD-2,5-PU
		5	158 963	SIM-M8-4WD-5-PU


Ordering data – Plug socket with cable SIM-M12			Technical data → www.festo.com	
	Electrical connection	Cable length [m]	Part No.	Type
	M12x1, 3-pin	2.5	159 428	SIM-M12-3GD-2,5-PU
		5	159 429	SIM-M12-3GD-5-PU
	M12x1, 4-pin	5	164 259	SIM-M12-4GD-5-PU
	M12x1, 5-pin	2.5	175 715	SIM-M12-5GD-2,5-PU
		5	175 716	SIM-M12-5GD-5-PU
	M12x1, 3-pin	2.5	159 430	SIM-M12-3WD-2,5-PU
		5	159 431	SIM-M12-3WD-5-PU
M12x1, 4-pin	5	164 258	SIM-M12-4WD-5-PU	


Ordering data – Pressure gauge MA							
	Nominal size	Pneumatic connection	Indicating range		Part No.	Type	
			[bar]	[psi]			
	Pressure gauge MA, DIN EN 837-1					Technical data → www.festo.com	
	40	G $\frac{1}{4}$	0 ... 16	0 ... 232	183 901	MA-40-16-G $\frac{1}{4}$ -EN	
	Pressure gauge MA, DIN EN 837-1, with red-green range					Technical data → www.festo.com	
	40	R $\frac{1}{8}$	0 ... 16	–	525 726	MA-40-16-R $\frac{1}{8}$ -E-RG	
	50	R $\frac{1}{4}$	0 ... 16	–	525 729	MA-50-16-R $\frac{1}{4}$ -E-RG	
Precision pressure gauge MAP, DIN EN 837-1					Technical data → www.festo.com		
40	R $\frac{1}{8}$	0 ... 1	0 ... 15	161 126	MAP-40-1- $\frac{1}{8}$ -EN		
		0 ... 4	0 ... 58	162 842	MAP-40-4- $\frac{1}{8}$ -EN		
		0 ... 6	0 ... 87	161 127	MAP-40-6- $\frac{1}{8}$ -EN		
		0 ... 16	0 ... 232	161 128	MAP-40-16- $\frac{1}{8}$ -EN		

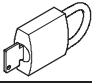
MS series service units

Accessories

FESTO

Ordering data – Silencer U			Technical data → www.festo.com	
	Description	Pneumatic connection	Part No.	Type
	for MS4-EM1/EE	G1/4	6 842	U-1/4-B
	for MS6-EM1/EE	G1/2	6 844	U-1/2-B
	for MS12-EM/EE	G1	151 990	U-1-B

Ordering data – Double nipple ESK					
	Description	Pneumatic connection		Part No.	Type
	Adjustable for angular compensation • For retro-fitting pressure switch PEV or pressure sensor SDE1 to branching module MS-FRM	R1/8	R1/4	534 151	ESK-1/8-1/4
		R1/4	R1/4	151 521	ESK-1/4-1/4
			R1/2	534 153	ESK-1/4-1/2

Ordering data – Padlock LRVS-D				
	Description	Weight [g]	Part No.	Type
	for filter or pressure regulators	120	193 786	LRVS-D

Ordering data – Special oil OFSW				
	Description	Scope of delivery	Part No.	Type
	for lubricators	1 litre	152 811	OFSW-32