

- Co-ordinated combinations
- Versatile range of combination options
- Sturdy and functional
- Stainless steel variants

Mounting components

Selection aid



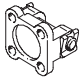


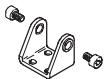

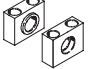
Mounting components												
Possible combinations	Swivel flange										→ Page	
	SN - 7	SNC	SNCB	SNCS	SNG	SNGB	SSNG	SUA	SZB	SZSB		
Clevis foot												
LBN	-	-	-	-	-	-	-	-	■	-	■	1 / 10.1-4
LN	■	-	■	-	-	■	-	■	■	■	-	1 / 10.1-5
LNG	■	-	■	-	-	■	-	■	-	-	-	1 / 10.1-6
LBG	-	-	-	■	-	-	■	-	-	-	-	1 / 10.1-7
LSN	■	-	■	-	-	■	-	■	-	-	-	1 / 10.1-8
LSNG	-	■	-	-	■	-	-	-	-	-	-	1 / 10.1-9
LSNSG	-	■	-	-	■	-	-	-	-	-	-	1 / 10.1-10
LQG	-	-	-	■	-	-	-	-	-	-	-	1 / 10.1-11
Threaded bolt												
GBS	For swivel mounting of drives – DSEU, ESEU (∅ 50/63 mm) – DSW, ESW - 7										1 / 10.1-15	








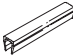
Possible combinations	Trunnion flange				Trunnion mounting kit		→ Page	
	ZNCF		ZNG		ZNCM			ZNU - 7
Trunnion supports								
LNZ - 7	-	-	-	-	-	-	■	1 / 10.1-12
LNZG	■	■	■	■	■	■	■	1 / 10.1-13

Mounting components

Selection aid

FESTO

Mounting components – Stainless steel			
Possible combinations	Swivel flange	Trunnion flange	→ Page
		SNCB-R3 	
Clevis foot			
CRLBN		For swivel mounting of drives – CRDSNU (∅ 12 ... 25 mm)	1 / 10.1-4
CRLNG		■	1 / 10.1-6
CRSBS		For swivel mounting of drives – CRDSW (∅ 32 ... 63 mm) – CRDG (∅ 32 ... 63 mm)	1 / 10.1-14
Threaded bolt			
CRGBS		For swivel mounting of drives – CRDSW (∅ 32 ... 63 mm) – CRDG (∅ 32 ... 63 mm)	1 / 10.1-15
Trunnion supports			
CRLNZG		■	1 / 10.1-13

Mounting accessories			
	Brief description		→ Page
Slot nut			
NST		For profile slots in linear units, drives and axes as well as passive guide axes	1 / 10.1-16
NST-HMV		For multi-axis systems	1 / 10.1-16
NSTL		For slides in linear drives and axes as well as passive guide axes	1 / 10.1-17
NSTH		For slides in heavy-duty guides HD	1 / 10.1-17
Centring pin			
ZBS		For device interfaces on drives, axes and grippers	1 / 10.1-18
Centring sleeve			
ZBH		For device interfaces on drives, axes and grippers	1 / 10.1-18
Central mounting			
SLZZ		For device interfaces on drives and axes	1 / 10.1-19
Slot cover			
ABP		For mounting and sensor slots	1 / 10.1-19

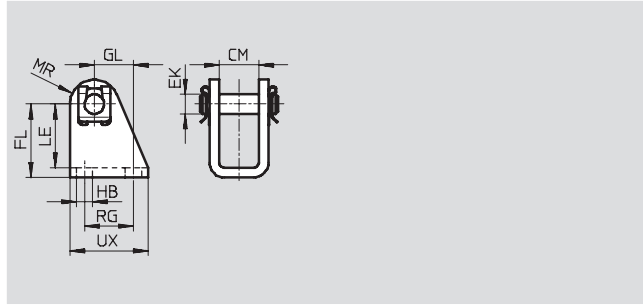
Clevis feet LBN/CRLBN

Technical data



Clevis foot LBN

Material:
Galvanised steel
Free of copper, PTFE and silicone

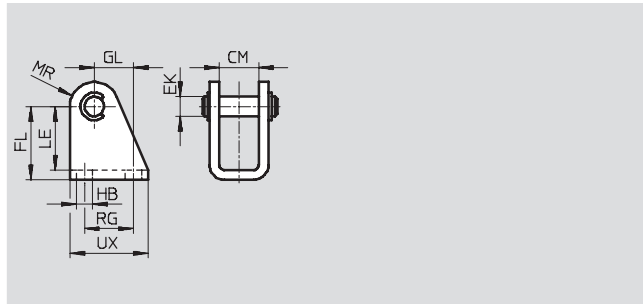


Dimensions and ordering data													
For Ø	CM	EK	FL	GL	HB	LE	MR	RG	UX	CRC ¹⁾	Weight	Part No.	Type
[mm]		Ø			Ø						[g]		
8/10	8.1	4	24 +0.3/-0.2	13.8	4.5	21.5	5	12.5	20	2	22	6 057	LBN-8/10
12/16	12.1	6	27 +0.3/-0.2	13	5.5	24	7	15	25	2	40	6 058	LBN-12/16
20/25	16.1	8	30 +0.4/-0.2	16	6.6	26	10	20	32	2	81	6 059	LBN-20/25
32	16.1	10	35 +0.4/-0.2	18.5	6.6	31	11	24	35	2	109	195 860	LBN-32
40	18.1	12	40 +0.4/-0.2	24.5	9	35	13	30	45	2	192	195 861	LBN-40
50/63	21.1	16	45 +0.5/-0.2	28	9	39	14	34	50	2	302	195 862	LBN-50/63

1) Corrosion resistance class 2 according to Festo standard 940 070
Components requiring moderate corrosion resistance. Externally visible parts with primarily decorative surface requirements which are in direct contact with a surrounding industrial atmosphere or media such as cooling or lubricating agents.

Clevis foot CRLBN, stainless steel

Material:
High-alloy steel
Free of copper, PTFE and silicone



Dimensions and ordering data													
For Ø	CM	EK	FL	GL	HB	LE	MR	RG	UX	CRC ¹⁾	Weight	Part No.	Type
[mm]		Ø									[g]		
12/16	12.1	6	27 +0.3/-0.2	13	5.5	24	7	15	25	4	55	161 862	CRLBN-12/16
20/25	16.1	8	30 +0.4/-0.2	16	6.6	26	10	20	32	4	62	161 863	CRLBN-20/25
32	16.1	10	35 +0.4/-0.2	18.5	6.6	31	11	24	35	4	107	195 866	CRLBN-32
40	18.1	12	40 +0.4/-0.2	24.5	9	35	13	30	45	4	184	195 867	CRLBN-40
50/63	21.1	16	45 +0.5/-0.2	28	9	39	14	34	50	4	289	195 868	CRLBN-50/63

1) Corrosion resistance class 4 according to Festo standard 940 070
Components requiring higher corrosion resistance. Parts used with aggressive media, e.g. food or chemical industry. These applications should be supported with special tests with the media if required.

Clevis feet LN

Technical data



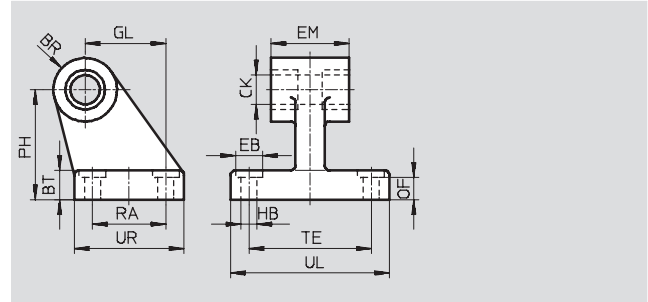
Clevis foot LN

Material:

LN-32 ... 50: High-alloy steel

LN-63 ... 320: Nodular graphite cast iron

Free of copper, PTFE and silicone



Dimensions and ordering data																	
For \varnothing	BR	BT	CK	EB	EM	GL	HB	OF	PH	RA	TE	UL	UR	CRC ¹⁾	Weight	Part No.	Type
[mm]			\varnothing	\varnothing H13			\varnothing H13								[g]		
32	10	8	10 H9	-	25.8 -0.4	21	5.5	-	32	18	38	51	31	2	170	5 147	LN-32
40	11	10	12 H9	-	27.8 -0.4	24	5.5	-	36	22	41	54	35	2	220	5 148	LN-40
50	12	12	12 H9	-	31.8 -0.4	33	6.6	-	45	30	50	65	45	2	380	5 149	LN-50
63	14.5	12	16 H8	15	40 c11	37	6.6	10.8	50	35	52	67	51	2	505	5 150	LN-63
80	14.5	14	16 H8	20	50 c11	47	9	12.7	63	40	66	86	60	2	790	5 151	LN-80
100	18.5	15	20 H8	20	60 c11	55	9	13.7	71	50	76	96	70	2	1250	5 152	LN-100
125	22	20	25 H8	20	70 c11	70	11	18.6	90	60	94	124	90	2	2693	9 036	LN-125
160	31	25	30 H8	20	90 c11	97	14	23.6	115	88	118	156	126	2	6260	9 037	LN-160
200	31	30	30 H8	26	90 c11	105	16	28.5	135	90	122	162	130	2	7940	9 038	LN-200
250	38.5	35	40 H8	33	110 c11	128	22	33.5	165	110	150	200	160	2	13400	9 039	LN-250
320	44.5	40	45 H8	40	120 c11	150	26	38.5	200	122	170	234	186	2	21900	9 040	LN-320

1) Corrosion resistance class 2 according to Festo standard 940 070

Components requiring moderate corrosion resistance. Externally visible parts with primarily decorative surface requirements which are in direct contact with a surrounding industrial atmosphere or media such as cooling or lubricating agents.

Clevis feet LNG/CRLNG

Technical data



Clevis foot LNG

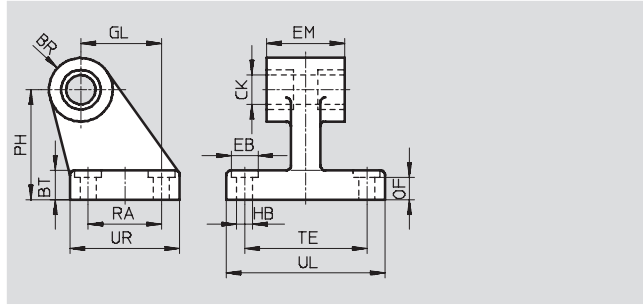
Material:

LNG-32 ... 50: High-alloy steel

LNG-63 ... 200: Nodular graphite cast

iron

Free of copper, PTFE and silicone



Dimensions and ordering data																	
For \varnothing	BR	BT	CK	EB	EM	GL	HB	OF	PH	RA	TE	UL	UR	CRC ¹⁾	Weight	Part No.	Type
[mm]			\varnothing D11	\varnothing H13			\varnothing H13								[g]		
32	10	8	10	-	25.8 -0.4	21	6.6	-	32	18	38	51	31	2	170	33 890	LNG-32
40	11	10	12	-	27.8 -0.4	24	6.6	-	36	22	41	54	35	2	190	33 891	LNG-40
50	12	12	12	-	31.8 -0.4	33	9	-	45	30	50	65	45	2	290	33 892	LNG-50
63	15	12	16	15	40 c11	37	9	10.8	50	35	52	67	50	2	450	33 893	LNG-63
80	15	14	16	18	50 c11	47	11	12.7	63	40	66	86	60	2	800	33 894	LNG-80
100	19	15	20	18	60 c11	55	11	13.7	71	50	76	96	70	2	1150	33 895	LNG-100
125	22	20	25	20	70 c11	70	14	18.6	90	60	94	124	90	2	2640	33 896	LNG-125
200	31	30	30	26	90 c11	105	18	28.5	135	90	122	162	130	2	8150	33 898	LNG-200

1) Corrosion resistance class 2 according to Festo standard 940 070

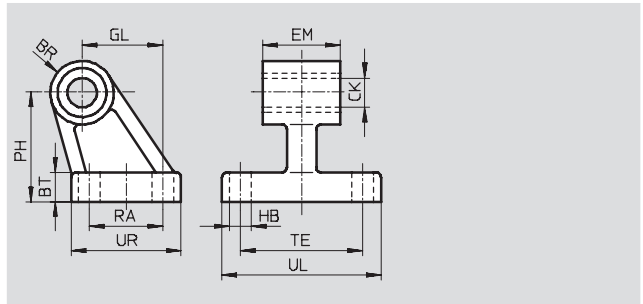
Components requiring moderate corrosion resistance. Externally visible parts with primarily decorative surface requirements which are in direct contact with a surrounding industrial atmosphere or media such as cooling or lubricating agents.

Clevis foot CRLNG, stainless steel

Material:

Special steel casting

Free of copper, PTFE and silicone



Dimensions and ordering data																	
For \varnothing	BR	BT	CK	EM	GL	HB	PH	RA	TE	UL	UR	CRC ¹⁾	Weight	Part No.	Type		
[mm]			\varnothing D11	-0.4		\varnothing H13							[g]				
32	10	8	10	25.8	21	6.6	32	18	38	51	31	4	120	161 840	CRLNG-32		
40	11	10	12	27.8	24	6.6	36	22	41	54	35	4	160	161 841	CRLNG-40		
50	12	12	12	31.8	33	9	45	30	50	65	45	4	280	161 842	CRLNG-50		
63	15	12	16	39.8	37	9	50	35	52	67	50	4	375	161 843	CRLNG-63		
80	15	14	16	49.8	47	11	63	40	66	86	60	4	580	161 844	CRLNG-80		
100	19	15	20	59.8	55	11	71	50	76	96	70	4	935	161 845	CRLNG-100		
125	22	20	25	69.8	70	14	90	60	94	124	90	4	2530	176 951	CRLNG-125		

1) Corrosion resistance class 4 according to Festo standard 940 070

Components requiring higher corrosion resistance. Parts used with aggressive media, e.g. food or chemical industry. These applications should be supported with special tests with the media if required.

Clevis feet LBG

Technical data



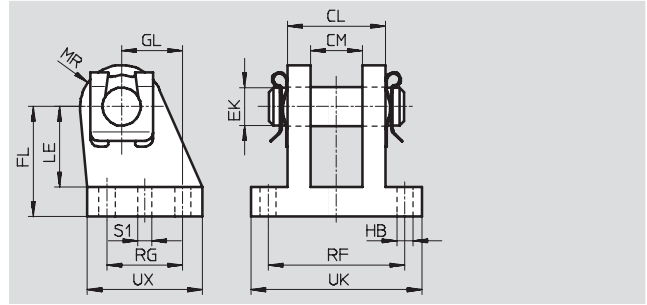
Clevis foot LBG

The pivot pin is secured against rotation with a dowel pin.

Material:

Nodular graphite cast iron

Free of copper, PTFE and silicone



Dimensions and ordering data																	
For \varnothing	CL	CM	EK	FL	GL	HB	LE	MR	RF	RG	S1	UK	UX	CRC ¹⁾	Weight	Part No.	Type
[mm]			\varnothing			\varnothing					\varnothing				[g]		
32	28	14.1	10	32	16	6.8	24	12	42	20	4.8	56	36	2	220	31 761	LBG-32
40	30	16.1	12	36	20	6.8	26	14	44	26	5.8	58	41.5	2	300	31 762	LBG-40
50	40	21.1	16	45	25	9.2	33	15	56	31	5.8	70	47	2	540	31 763	LBG-50
63	40	21.1	16	50	25	9	38	17	56	31	7.8	70	47	2	580	31 764	LBG-63
80	50	25.1	20	63	30	11	49	18	70	36	7.8	89	57	2	1050	31 765	LBG-80
100	50	25.1	20	71	41	11	56	22	70	46	9.8	89	67.5	2	1375	31 766	LBG-100
125	80	37.2	30	90	60	14	70	26	106	70	11.8	128	96	2	4140	31 767	LBG-125

1) Corrosion resistance class 2 according to Festo standard 940 070

Components requiring moderate corrosion resistance. Externally visible parts with primarily decorative surface requirements which are in direct contact with a surrounding industrial atmosphere or media such as cooling or lubricating agents.

Clevis feet LSN

Technical data

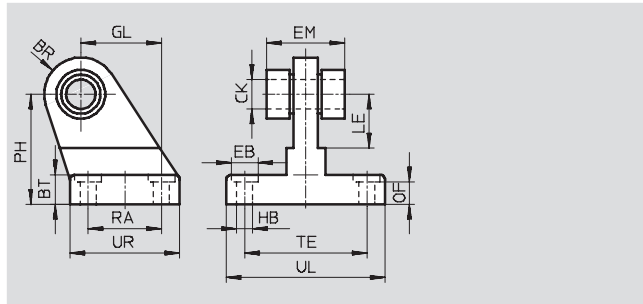
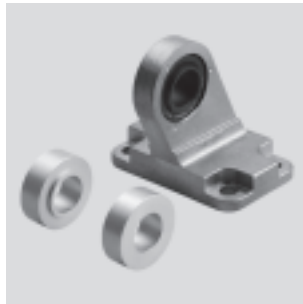


Clevis foot LSN

with spherical bearing

Material:

Nodular graphite cast iron



Dimensions and ordering data									
For \varnothing	BR	BT	CK	EB	EM	GL	HB	LE	OF
[mm]	-1		\varnothing	\varnothing			\varnothing		
32	13	10	10 -0.008	10	25.8	21	5.5	16	4.5
40	15	10	12 -0.008	10	27.8	24	5.5	20	4.3
50	15	12	12 -0.008	11	31.8	33	6.6	22	5.2
63	20	12	16 -0.008	11	39.8	37	6.6	30	5.2
80	20	14	16 -0.008	15	49.8	47	9	31	5
100	24	15	20 -0.010	15	59.8	55	9	38	6
125	33	20	25 -0.010	22	69.8	70	11	-	18
160	36	25	30 -0.010	26	89.8	97	13.5	-	22
200	36	30	30 -0.010	30	89.8	105	16	-	27
250	43	35	40 -0.012	40	109.5	128	22	-	32
320	54	40	45 -0.012	48	119.8	150	26	-	37

For \varnothing	PH	RA	TE	UL	UR	CRC ¹⁾	Weight	Part No.	Type
[mm]	± 0.5						[g]		
32	32	18	38	51	31	2	160	5 561	LSN-32
40	36	22	41	54	35	2	220	5 562	LSN-40
50	45	30	50	65	45	2	380	5 563	LSN-50
63	50	35	52	67	50	2	535	5 564	LSN-63
80	63	40	66	86	60	2	850	5 565	LSN-80
100	71	50	76	96	70	2	1280	5 566	LSN-100
125	90	60	94	124	90	2	2685	6 987	LSN-125
160	115	88	118	156	126	2	5545	6 988	LSN-160
200	135	90	122	162	130	2	7450	6 989	LSN-200
250	165	110	150	200	160	2	13410	6 990	LSN-250
320	200	122	170	234	186	2	16960	6 991	LSN-320

1) Corrosion resistance class 2 according to Festo standard 940 070

Components requiring moderate corrosion resistance. Externally visible parts with primarily decorative surface requirements which are in direct contact with a surrounding industrial atmosphere or media such as cooling or lubricating agents.

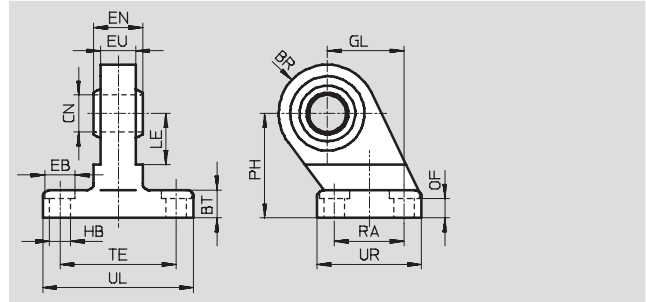
Clevis feet LSNG

Technical data



Clevis foot LSNG
with spherical bearing

Material:
LSNG-32 ... 50:
High-alloy steel
LSNG-63 ... 200:
Nodular graphite cast iron



Dimensions and ordering data										
For \varnothing	BR	BT	CN \varnothing	EB \varnothing	EN	EU	GL	HB \varnothing	LE	OF
[mm]					-0.1	-0.2	js14	H13		
32	15	10 ±0.2	10 +0.013	11	14	10.5	21	6.6	–	8.5 +0.8
40	17	10 ±0.2	12 +0.015	11	16	12	24	6.6	–	8.5 +0.8
50	20	12 ±0.2	16 +0.015	15	21	15	33	9	–	10.5 +0.8
63	22	12 ±0.6	16 +0.015	15	21	15	37	9	27	10.5 +0.8
80	27	14 ±0.6	20 +0.018	18	25	18	47	11	31	12 +0.8
100	29	15 ±0.6	20 +0.018	18	25	18	55	11	38	13 +0.8
125	39	20 ±0.7	30 +0.018	20	37	25	70	14	50	17 +1
160	42	25 ±0.7	35 +0.021	20	43	28	97	14	45	21 +1
200	42	35 ±0.7	35 +0.018	26	43	28	105	18	45	26.5 +1

For \varnothing	PH	RA	TE	UL	UR	CRC ¹⁾	Weight	Part No.	Type
[mm]	js14	js14	js14				[g]		
32	32	18	38	51	31	2	185	31 740	LSNG-32
40	36	22	41	54	35	2	245	31 741	LSNG-40
50	45	30	50	65	45	2	455	31 742	LSNG-50
63	50	35	52	67	50	2	585	31 743	LSNG-63
80	63	40	66	86	60	2	1025	31 744	LSNG-80
100	71	50	76	96	70	2	1390	31 745	LSNG-100
125	90	60	94	124	90	2	3137	31 746	LSNG-125
160	115	88	118	156	126	2	4273	152 599	LSNG-160
200	135	90	122	162	130	2	5908	152 600	LSNG-200

1) Corrosion resistance class 2 according to Festo standard 940 070

Components requiring moderate corrosion resistance. Externally visible parts with primarily decorative surface requirements which are in direct contact with a surrounding industrial atmosphere or media such as cooling or lubricating agents.

Clevis foot LSNSG

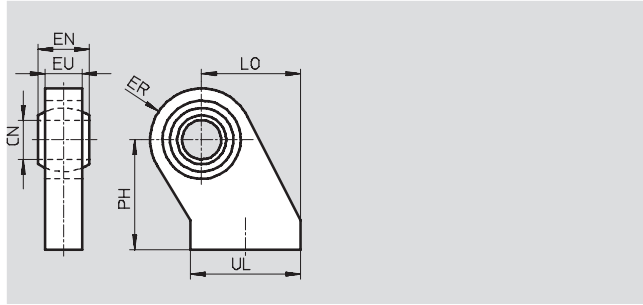
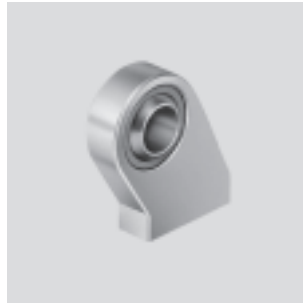
Technical data



Clevis foot LSNSG

weld-on,
with spherical bearing

Material:
Galvanised steel



Dimensions and ordering data											
For \varnothing	CN \varnothing	EN	ER	EU	LO	PH	UL	CRC ¹⁾	Weight [g]	Part No.	Type
[mm]		-0.1	± 0.5	-0.2	± 0.5	js14					
32	10 +0.013	14	15.5	10.5	27.5	32	28.5	2	105	31 747	LSNSG-32
40	12 +0.015	16	17.5	12	20.5	36	33.5	2	160	31 748	LSNSG-40
50	16 +0.015	21	20.5	15	40.5	45	43.5	2	295	31 749	LSNSG-50
63	16 +0.015	21	22.5	15	44.5	50	48	2	365	31 750	LSNSG-63
80	20 +0.018	25	28.5	18	57	63	58	2	690	31 751	LSNSG-80
100	20 +0.018	25	29.5	18	65	71	67.5	2	815	31 752	LSNSG-100
125	30 +0.018	37	39.5	25	85	90	87.5	2	1990	31 753	LSNSG-125

1) Corrosion resistance class 2 according to Festo standard 940 070
Components requiring moderate corrosion resistance. Externally visible parts with primarily decorative surface requirements which are in direct contact with a surrounding industrial atmosphere or media such as cooling or lubricating agents.

Clevis feet LQG

Technical data

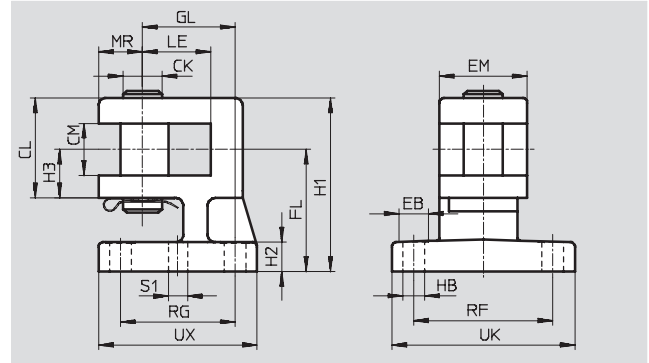


Right-angle clevis mounting LQG

The pivot pin is secured against rotation with a dowel pin.

Material:

Nodular graphite cast iron



Dimensions and ordering data											
For \varnothing	CK \varnothing	CL	CM	EB \varnothing	EM	FL	GL	H1	H2	H3	HB \varnothing
[mm]	h9		+0.2								
32	10	27	14.2	11	25	32 ±0.3	22 ±0.3	45 ±0.5	9	14	6.6
40	12	31	16.2	11	25	36 js14	22 js14	52 ±0.5	9	15	6.6
50	16	41	21.2	15	32	45 js14	36 js14	66 ±0.5	9	20	9
63	16	41	21.2	15	36	50 js14	38 js14	71	12	20	9
80	20	51	25.1	18	36	63 js14	39 js14	89	14	25	11
100	20	51	25.1	18	42	71 js14	51 js14	97	14	25	11
125	30	80	37.1	19	50	90 ±0.4	60 js14	130	20	40	14

For \varnothing	LE	MR	RF	RG	S1 \varnothing	UK	UX	CRC ¹⁾	Weight	Part No.	Type
[mm]									[g]		
32	18	12.5	40 ±0.3	29 ±0.3	4.8	56	45	2	285	31 768	LQG-32
40	22	15	40 js14	29 js14	5.8	56	45	2	355	31 769	LQG-40
50	28	18	52 js14	40 js14	5.8	70	58	2	705	31 770	LQG-50
63	28	18	57 js14	47 js14	7.8	75	65	2	880	31 771	LQG-63
80	31	20	58 js14	48 js14	9.8	80	70	2	1260	31 772	LQG-80
100	34	22	64 js14	54 js14	9.8	90	80	2	1615	31 773	LQG-100
125	38	32	104 js14	70 js14	11.5	130	96	2	3750	31 774	LQG-125

1) Corrosion resistance class 2 according to Festo standard 940 070

Components requiring moderate corrosion resistance. Externally visible parts with primarily decorative surface requirements which are in direct contact with a surrounding industrial atmosphere or media such as cooling or lubricating agents.

Do not use for new designs!
 -  - Type to be discontinued

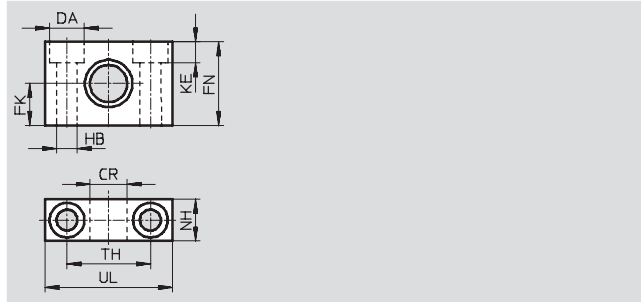
FESTO

Trunnion supports LNZ

Technical data

Trunnion support LNZ

Material:
 Anodised aluminium



Dimensions and ordering data													
For \varnothing	CR	DA	FK	FN	HB	KE	NH	TH	UL	CRC ¹⁾	Weight	Part No.	Type
[mm]	\varnothing	\varnothing	\varnothing		\varnothing			± 0.2			[g]		
32	12 E10	11	12.5 ± 0.1	25	6.6	6.8	15	36	50	2	90	6 184	LNZ-32
40/50	16 E10	15	18 ± 0.1	36	9	9	18	36	55	2	150	6 185	LNZ-40/50
63/80	20 E10	18	20 ± 0.1	40	11	11	20	42	65	2	215	6 186	LNZ-63/80
100/125	25 E10	20	25 ± 0.1	50	14	13	25	50	75	2	380	6 187	LNZ-100/125
160/200	32 H8	26	30 ± 0.2	60	18	18	35	60	92	2	1900	6 994	LNZ-160/200
250	40 H8	33	35 ± 0.2	70	21.5	21.5	50	90	140	2	5500	6 995	LNZ-250
320	50 H8	40	40 ± 0.2	80	26	26	60	100	150	2	7442	6 996	LNZ-320

1) Corrosion resistance class 2 according to Festo standard 940 070

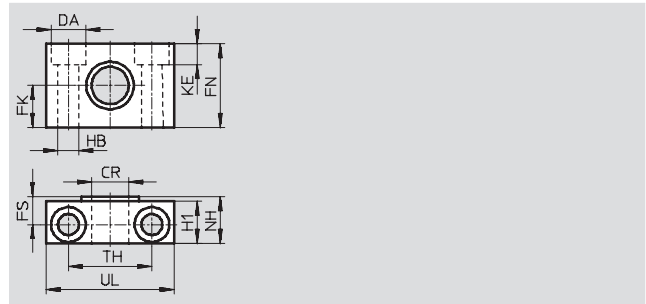
Components requiring moderate corrosion resistance. Externally visible parts with primarily decorative surface requirements which are in direct contact with a surrounding industrial atmosphere or media such as cooling or lubricating agents.

Trunnion supports LNZG/CRLNZG

Technical data

Trunnion support LNZG

- Material:
 Trunnion support:
 32 ... 125: Anodised aluminium
 160 ... 320: Galvanised steel
 Plain bearing:
 32 ... 200: Plastic
 250 ... 320: Sintered bronze



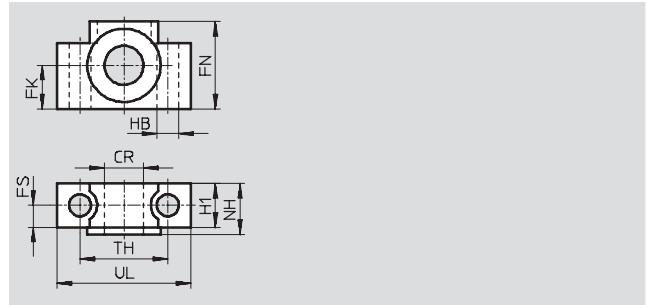
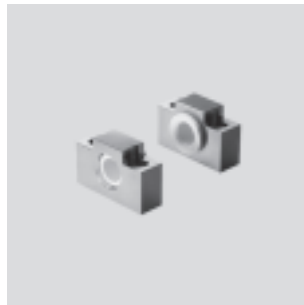
Free of copper, PTFE and silicone

Dimensions and ordering data															
For \varnothing	CR	DA	FK	FN	FS	H1	HB	KE	NH	TH	UL	CRC ¹⁾	Weight	Part No.	Type
[mm]	\varnothing	\varnothing	\varnothing				\varnothing						[g]		
32	12 D11	11	15 ± 0.1	30	10.5	15	6.6	6.8	18	32 ± 0.2	46	2	125	32 959	LNZG-32
40/50	16 D11	15	18 ± 0.1	36	12	18	9	9	21	36 ± 0.2	55	2	400	32 960	LNZG-40/50
63/80	20 D11	18	20 ± 0.1	40	13	20	11	11	23	42 ± 0.2	65	2	480	32 961	LNZG-63/80
100/125	25 D11	20	25 ± 0.1	50	16	24.5	14	13	28.5	50 ± 0.2	75	2	960	32 962	LNZG-100/125
160/200	32 D11	26	30 ± 0.2	60	22.5	36	18	17	40	60 ± 0.3	92	2	1965	35 780	LNZG-160/200
250	40 G7	33	35 ± 0.2	70	27.5	45	22	21.5	50	90 ± 0.3	140	2	5500	157 516	LNZG-250
320	50 G7	40	40 ± 0.2	80	32.5	55	26	21.5	60	100 ± 0.3	150	2	6580	157 517	LNZG-320

1) Corrosion resistance class 2 according to Festo standard 940 070
 Components requiring moderate corrosion resistance. Externally visible parts with primarily decorative surface requirements which are in direct contact with a surrounding industrial atmosphere or media such as cooling or lubricating agents.

Trunnion support CRLNZG, stainless steel

- Material:
 High-alloy steel
 Free of copper, PTFE and silicone



Dimensions and ordering data														
For \varnothing	CR	FK	FN	FS	H1	HB	NH	TH	UL	CRC ¹⁾	Weight	Part No.	Type	
[mm]	\varnothing	\varnothing				\varnothing		± 0.2			[g]			
32	12	15	30	10.5	15	6.6	18	32	46	4	200	161 874	CRLNZG-32	
40/50	16	18	36	12	18	9	21	36	55	4	330	161 875	CRLNZG-40/50	
63/80	20	20	40	13	20	11	23	42	65	4	440	161 876	CRLNZG-63/80	
100	25	25	50	16	24.5	14	28.5	50	75	4	740	161 877	CRLNZG-100	

1) Corrosion resistance class 4 according to Festo standard 940 070
 Components requiring higher corrosion resistance. Parts used with aggressive media, e.g. food or chemical industry. These applications should be supported with special tests with the media if required.

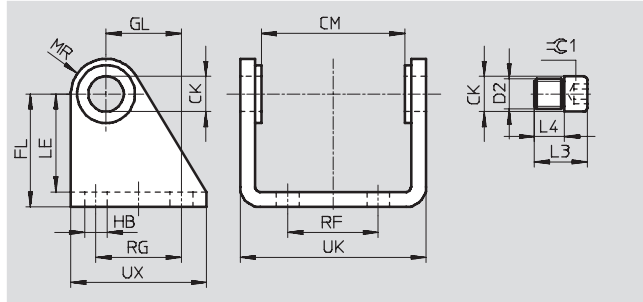
Clevis feet CRSBS

Technical data



Clevis foot CRSBS, stainless steel

Material:
High-alloy steel



Dimensions and ordering data											
For Ø	CK	CM	D1	D2	FL	GL	H1	HB	L3	L4	LE
[mm]	Ø		Ø					Ø			
32	10	38.1	15	M8x1	35	20	4	7	14.5	6.5	31
40	12	46.1	20	M10x1	40	27	5	9	18.5	9	36
50	14	57.1	23	M12x1.5	45	30	6	9	23	12	39
63	16	70.4	23	M14x1.5	50	34	6	9	29	16	44

For Ø	MR	RF	RG	UK	UX	≡C1	CRC ¹⁾	Weight	Part No.	Type
[mm]							[g]	[g]		
32	12	20	24	50.1	40	5	4	130	162 955	CRSBS-32
40	13	28	30	60.1	50	6	4	200	162 956	CRSBS-40
50	14	36	34	74.1	54	6	4	310	162 957	CRSBS-50
63	15	42	35	88.1	65	8	4	440	162 958	CRSBS-63

1) Corrosion resistance class 4 according to Festo standard 940 070
Components requiring higher corrosion resistance. Parts used with aggressive media, e.g. food or chemical industry. These applications should be supported with special tests with the media if required.

Threaded bolts GBS/CRGBS

Technical data

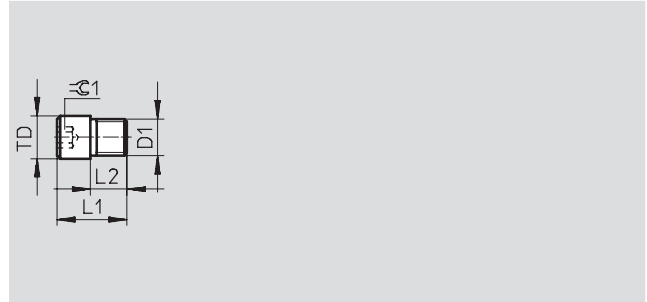
Threaded bolt GBS

for swivel mounting of drives with appropriate design

Material:

Case-hardened steel

Free of copper, PTFE and silicone



Dimensions and ordering data									
For \varnothing	D1	L1	L2	TD	\varnothing	CRC ¹⁾	Weight	Part No.	Type
[mm]				\varnothing	f8		[g]		
32	M8x1	14.5	6.5 ±0.1	10	5	2	10	9 236	GBS-32
40	M10x1	18.5	9 ±0.1	12	6	2	20	9 237	GBS-40
50	M12x1.5	23	12 ±0.2	14	6	2	40	9 238	GBS-50
63	M14x1.5	29	16 ±0.2	16	8	2	65	9 239	GBS-63

1) Corrosion resistance class 2 according to Festo standard 940 070

Components requiring moderate corrosion resistance. Externally visible parts with primarily decorative surface requirements which are in direct contact with a surrounding industrial atmosphere or media such as cooling or lubricating agents.

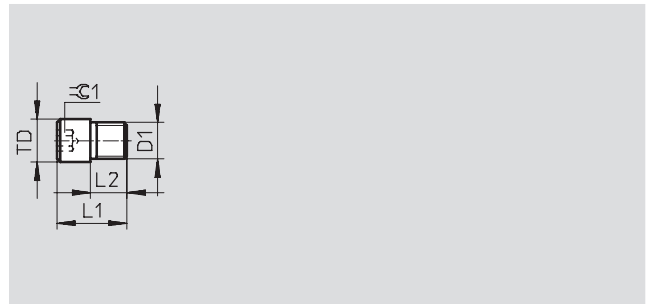
Threaded bolt CRGBS, stainless steel

for swivel mounting of drives with appropriate design

Material:

High-alloy steel

Free of copper, PTFE and silicone



Dimensions and ordering data									
For \varnothing	D1	L1	L2	TD	\varnothing	CRC ¹⁾	Weight	Part No.	Type
[mm]				\varnothing	f8		[g]		
32	M8x1	14.5	6.5 ±0.1	10	5	4	10	163 132	CRGBS-32
40	M10x1	18.5	9 ±0.1	12	6	4	20	163 133	CRGBS-40
50	M12x1.5	23	12 ±0.2	14	6	4	40	163 134	CRGBS-50
63	M14x1.5	29	16 ±0.2	16	8	4	65	163 135	CRGBS-63

1) Corrosion resistance class 4 according to Festo standard 940 070

Components requiring higher corrosion resistance. Parts used with aggressive media, e.g. food or chemical industry. These applications should be supported with special tests with the media if required.

Slot nuts NST/NST-HMV

Technical data



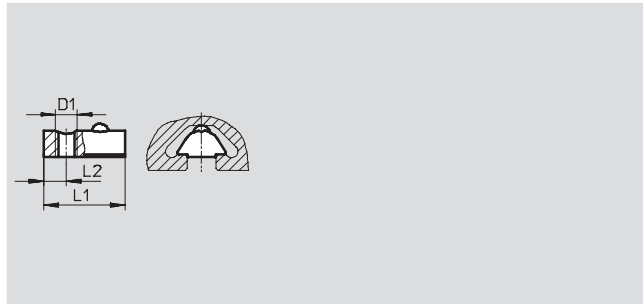
Slot nut NST

for profile slots in linear units, drives and axes as well as passive guide axes

Material:

Non-alloyed tempered steel

Free of copper, PTFE and silicone



Dimensions and ordering data						
D1	L1	L2	CRC ¹⁾	Weight	Part No.	Type
	±0.5			[g]		
M5	12	4	2	3	150 914	NST-5-M5
M6	22.5	6.25	2	11	150 915	NST-8-M6

1) Corrosion resistance class 2 according to Festo standard 940 070

Components requiring moderate corrosion resistance. Externally visible parts with primarily decorative surface requirements which are in direct contact with a surrounding industrial atmosphere or media such as cooling or lubricating agents.

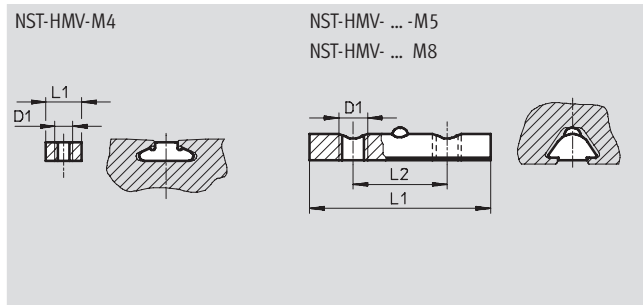
Slot nut NST-HMV

for multi-axis systems

Material:

Non-alloyed tempered steel

Free of copper, PTFE and silicone



Dimensions and ordering data						
D1	L1	L2	CRC ¹⁾	Weight	Part No.	Type
	±0.5			[g]		
M4	–	–	2	2	526 091	NST-HMV-M4
M5	24	12.5	2	7	526 094	NST-HMV-5-2-M5
M8	50	26	2	22	526 093	NST-HMV-8-2-M8

1) Corrosion resistance class 2 according to Festo standard 940 070

Components requiring moderate corrosion resistance. Externally visible parts with primarily decorative surface requirements which are in direct contact with a surrounding industrial atmosphere or media such as cooling or lubricating agents.

Slot nuts NSTL/NSTH

Technical data

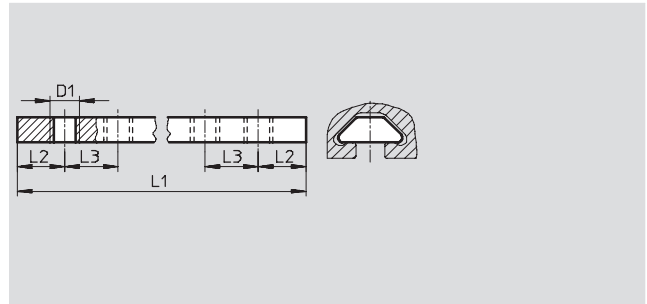
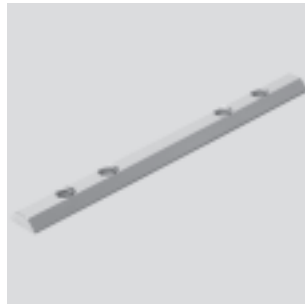


Slot nut NSTL

for slides on linear drives and axes as well as passive guide axes

Material:

Non-alloyed tempered steel
Free of copper, PTFE and silicone



Dimensions and ordering data						
D1	L1 ±0.5	L2	L3	CRC ¹⁾	Weight [g]	Part No. Type
M5	100	13	15	2	23	158 410 NSTL-25
M5	128	14	15	2	30	158 411 NSTL-32
M5	166	25	20	2	40	158 412 NSTL-40
M8	199	24	20	2	138	158 413 NSTL-50
M8	229	30	35	2	160	158 414 NSTL-63
M8	319	30	35	2	228	161 356 NSTL-80

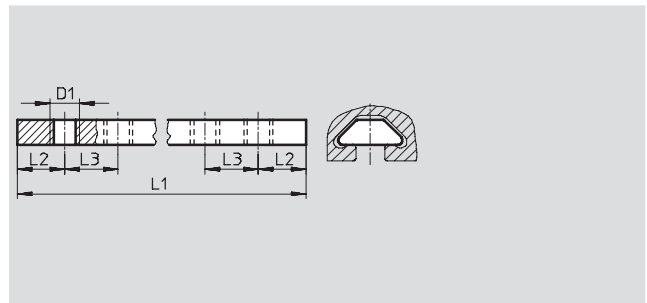
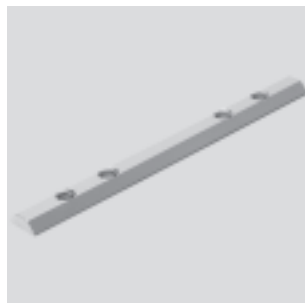
1) Corrosion resistance class 2 according to Festo standard 940 070
Components requiring moderate corrosion resistance. Externally visible parts with primarily decorative surface requirements which are in direct contact with a surrounding industrial atmosphere or media such as cooling or lubricating agents.

Slot nut NSTH

for slides on heavy-duty guides HD

Material:

Non-alloyed tempered steel
Free of copper, PTFE and silicone



Dimensions and ordering data						
D1	L1 ±0.5	L2	L3	CRC ¹⁾	Weight [g]	Part No. Type
M3	89	15	15	2	7	161 018 NSTH-8
M5	119	15	15	2	28	161 019 NSTH-12
M5	159	25	20	2	38	161 020 NSTH-18
M8	209	25	20	2	146	161 021 NSTH-25
M8	259	30	35	2	184	161 022 NSTH-40

1) Corrosion resistance class 2 according to Festo standard 940 070
Components requiring moderate corrosion resistance. Externally visible parts with primarily decorative surface requirements which are in direct contact with a surrounding industrial atmosphere or media such as cooling or lubricating agents.

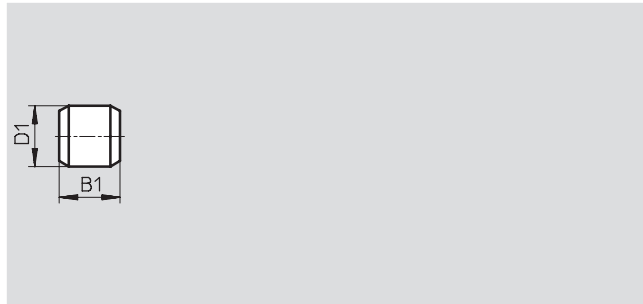
Centring pins/centring sleeves

Technical data



Centring pin ZBS

Material:
Corrosion resistant steel
Free of copper, PTFE and silicone

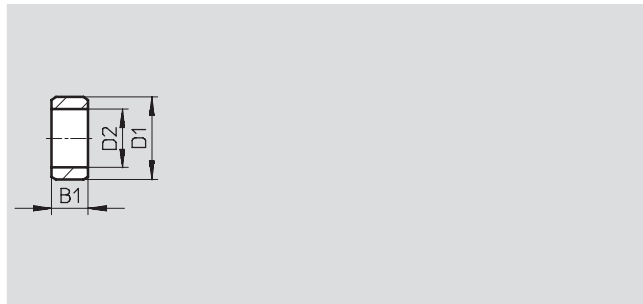


Dimensions and ordering data						
D1	B1	CRC ¹⁾	Weight	Part No.	Type	PU ²⁾
∅						
h8	-0.2		[g]			
2	5	2	1	525 273	ZBS-2	10
5	5	2	1	150 928	ZBS-5	10

- 1) Corrosion resistance class 2 according to Festo standard 940 070
Components requiring moderate corrosion resistance. Externally visible parts with primarily decorative surface requirements which are in direct contact with a surrounding industrial atmosphere or media such as cooling or lubricating agents.
- 2) Packaging unit quantity

Centring sleeve ZBH

Material:
Corrosion resistant steel
Free of copper, PTFE and silicone



Dimensions and ordering data							
D1	B1	D2	CRC ¹⁾	Weight	Part No.	Type	PU ²⁾
∅		∅					
h7	-0.2			[g]			
5	2.4	3.2	2	1	189 652	ZBH-5	10
7	3	5.3	2	1	186 717	ZBH-7	10
9	4	6.4	2	1	150 927	ZBH-9	10
12	5	10.3 +0.1	2	1	189 653	ZBH-12	10
15	6	12.4	2	3	191 409	ZBH-15	10

- 1) Corrosion resistance class 2 according to Festo standard 940 070
Components requiring moderate corrosion resistance. Externally visible parts with primarily decorative surface requirements which are in direct contact with a surrounding industrial atmosphere or media such as cooling or lubricating agents.
- 2) Packaging unit quantity

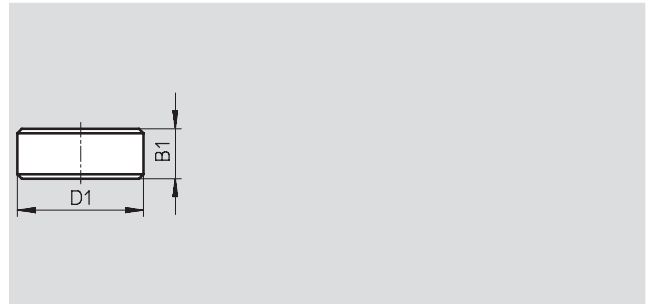
Central mountings/slot covers

Technical data



Central mounting SLZZ

Material:
Corrosion resistant steel
Free of copper, PTFE and silicone



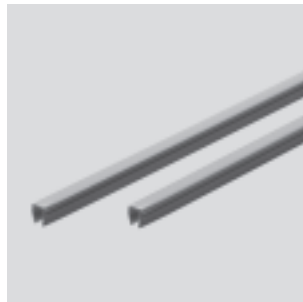
Dimensions and ordering data					
D1	B1	CRC ¹⁾	Weight	Part No.	Type
∅	h8		[g]		
14	5	2	21	150 900	SLZZ-16/10
25	5.5	2	40	150 901	SLZZ-25/16
25	5.5	2	84	150 904	SLZZ-50/40

1) Corrosion resistance class 4 according to Festo standard 940 070
Components requiring higher corrosion resistance. Parts used with aggressive media, e.g. food or chemical industry. These applications should be supported with special tests with the media if required.

Slot cover ABP for mounting slots

Slot cover ABP-5-S for sensor slots

Material:
Acrylic butadiene styrene



Ordering data					
Slot type	Length	Weight	Part No.	Type	PU ¹⁾
	[m]	[g]			
Mounting slot	0.5	16	151 681	ABP-5	2
	0.5	42	151 682	ABP-8	2
Sensor slot	0.5	15	151 680	ABP-5-S	2

1) Packaging unit quantity