

Solenoid valves MH2/MH3/MH4, fast-switching valves

FESTO

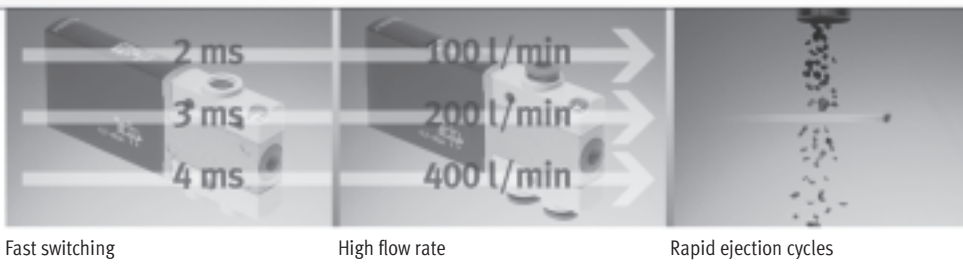


- Directly actuated valves
- Rapid response times down to 2 ms
- Standard nominal flow rate 100 ... 400 l/min
- Compact design
- Flexible construction of valve manifolds
- Free of copper and PTFE

Fast-switching valves from Festo: More than just fast switching

The fast-switching professionals with response times down to 2 milliseconds

Speed, dynamic response and precision are in demand more than ever in modern automation. The solution lies in pneumatic components, that offer shorter cycle times in return for comparatively low investment costs for the components. Maximum process reliability, robustness and service life are guaranteed.



High speed in production

Fast-switching valves are a true technological gem when it comes to high-speed applications. With response times ≤ 2 ms and a repetition accuracy ≤ 0.2 ms, they represent the pinnacle of what is technologically achievable – even in 24-hour continuous operation with over 500 million cycles.

Fast-switching valves are easily retrofitted into existing systems or can be used as a pacesetter for newly designed systems. They have a compact design that provides high component density. Indispensable for sorting parts by means of air ejector, in flap control systems, for gluing, dosing, packaging and, of course, suitable for vacuum applications as well.

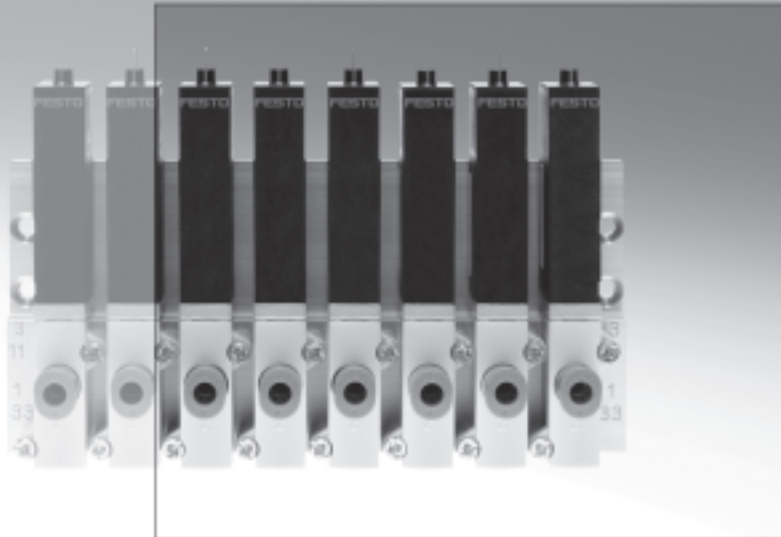
Faster switching

The extremely short response times facilitate short cycle times. Extremely precise switching makes it possible to control process sequences accurately.

High output and very good machine utilisation are also guaranteed. Good repetition accuracy of response times ensures consistent processes, improves process and part quality and reduces rejects and rework.

Faster installation

Thanks to the various connection options such as threads or integrated QS push-in connectors and the different mounting options for individual valves or the valve manifold, the installation can be optimised to suit local conditions and space requirements can be reduced to a minimum. Fast-switching valves can be used directly in the application without additional protective measures. As a result, very short pneumatic lines guarantee short signal paths and fast response times.



- Variants with and without fast-switching electronics as 3/2-way and 5/2-way valves
- Shortest possible response times with maximum repetition accuracy and outstanding service life
- Directly actuated poppet valve with IP65 protection

Advantages for design

- Very high cycle rates
- Extremely short cycle times
- Maximum repetition accuracy
- Vacuum-compatible thanks to directly actuated poppet valve
- Flexible design principle
- Direct actuation via standard PLC possible
- Direct mounting in the application with IP65 protection

Advantages for purchasing

- Everything from a single source
- Low ordering costs
- No additional mounting components
- No costs for additional power outputs
- Use of standard PLCs
- Increased system productivity

Advantages for installation

- Easy installation
- Direct pneumatic connection via integrated QS connections
- Reduced assembly costs with pre-assembled cables
- No additional protection required thanks to IP65



Fast and precise – sturdy and economical

High performance, process stability and extremely simple handling

MH fast-switching valves increase cycle rates and improve process and part quality with their excellent repetition accuracy.



Precise switching with high power ...

... for fast and precision-pulsed operation

Built-in fast-switching electronics

- All 3/2- and 5/2-way valves are available with built-in fast-switching electronics.
- This enables constant dynamic response independent of temperature or supply voltage fluctuations.
- With Festo plug & work®, installation is simple, and no additional electronics or pneumatics know-how is necessary.

Optimised equipment and processes

- On-site assembly thanks to IP65 – insensitive to dust and humidity.
- Direct actuation with 24 V DC/1 A – use of PLC standard outputs.
- With an extremely long service life of 500 million cycles, three-layer continuous operation and being maintenance-free, you get optimum efficiency.

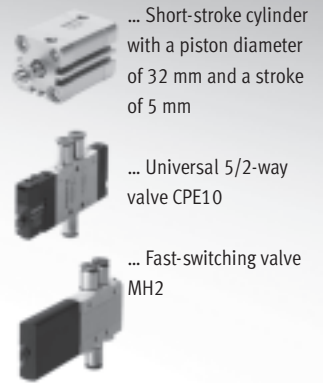
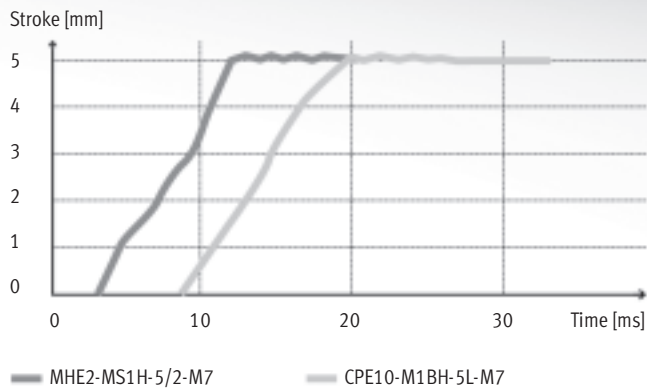
Key features

- Repetition accuracy ≤ 0.2 ms for exact dispensing/bonding, for example.
- Switching time ≤ 2 ms makes for short cycle times and very quick response characteristics.
- 10 mm width enables compact assembly.
- Variably connectable as an individual valve, a semi in-line or manifold mounted variant, facilitating customised installation.
- IP65 protection enables direct mounting during use without requiring additional protective measures.
- Easy installation via direct actuation from the standard PLC with 24 V DC/1 A.

Fast valves and an optimised control loop system – two guarantees for success

To generate speed in pneumatics, the combination of valve and cylinder must be perfectly harmonised. With the right combination, efficiency can be improved by 30%. Cylinders with small diameters and short strokes need fast valves.

Short-stroke cylinder ADN-32-5 – 30% faster with a fast-switching valve



Valve type		CPE10	MH2-5/2
Flow rate	[l/min]	350	100
Valve response time	[ms]	16	1.7
Cycle time	[ms]	20	14
	[%]	100	70
Result			30% faster

Small and fast – a good combination

With a small cylinder volume, particularly in the case of short-stroke cylinders, the response time is crucial. In the example shown here, the combination with a fast-switching valve is 30% faster. In concrete terms, this means that the cylinder actuated using the fast-switching valve is already in the end position before movement of the cylinder in combination with the universal valve even begins.

The result is a significant increase in system efficiency and economy – with a comparable space requirement and weight for both valves, low air consumption and a ten-fold increase in the service life of the fast-switching valve.

Length means losses – Focus on tubing

Short tubing is a key factor when it comes to pneumatic efficiency. Reducing the tubing length from 1 m to 0.5 m, for example, improves the max. possible flow rate by 20%. A tube length greater than 2 m results in losses of up to 50%. Use of the next largest tube is recommended in this case.

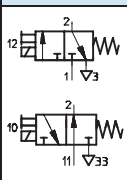
Small and local – The clever alternative

Short tubes with a small diameter are ideal for installation of valves close to the cylinder. The small and light fast-switching valves are suitable for direct mounting in the application – thanks also to their IP65 protection. The use of smaller and lighter fittings also reduces the weight – and improves the efficiency of moving systems in particular.

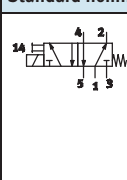
Solenoid valves MH2, fast-switching valves

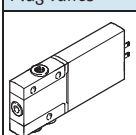
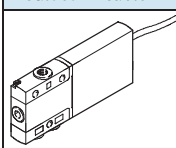
Product range overview

Application-optimised directional control valves
Fast-switching valves
3.2

Function	Circuit symbol	Design	Response time [ms]		Operating voltage [V DC]	Free of copper and PTFE	→ Page
			2	7			
3/2-way valve ²⁾	Standard nominal flow rate 100 l/min						
		Individual valve	■ ¹⁾	■	24	■	2 / 3.2-10
		Semi in-line valve	■ ¹⁾	■	24	■	2 / 3.2-20
		Sub-base valve	■ ¹⁾	■	24	■	2 / 3.2-32

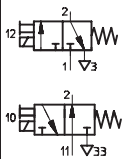
- 1) Response time of 2 ms only with voltage of 24 V DC and plug vanes or moulded-in cable
2) Can be used as a 2/2 way valve by sealing connection 3 or 33

Function	Circuit symbol	Design	Response time [ms]		Operating voltage [V DC]	Free of copper and PTFE	→ Page
			Off	On			
5/2-way valve	Standard nominal flow rate 100 l/min						
		Individual valve	1.7	1.9	24	■	2 / 3.2-15
		Semi in-line valve	1.7	1.9	24	■	2 / 3.2-26
		Sub-base valve	1.7	1.9	24	■	2 / 3.2-38

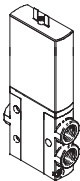
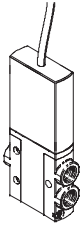
Mounting options							
Design	Individual valve		Semi in-line valve		Sub-base valve		
Valve function	3/2-way	5/2-way	3/2-way	5/2-way	3/2-way	5/2-way	
Plug vanes							
	Direct mounting	■	■	-	-	-	-
	Individual sub-base	-	-	■	■	■	■
	Manifold mounting	-	-	■	■	■	■
Moulded-in cable							
	Direct mounting	■	■	-	-	-	-
	Individual sub-base	-	-	-	-	■	■
	Manifold mounting	-	-	-	-	■	■

Solenoid valves MH3, fast-switching valves

Product range overview

Function	Circuit symbol	Design	Response time [ms]		Operating voltage [V DC]	Free of copper and PTFE	→ Page
			3	8			
3/2-way valve ¹⁾	Standard nominal flow rate 200 l/min						
		Individual valve	■	■	24	■	2 / 3.2-46
		Semi in-line valve	■	■	24	■	2 / 3.2-51
		Sub-base valve	■	■	24	■	2 / 3.2-58

1) Can be used as a 2/2 way valve by sealing connection 3 or 33

Mounting options				
Design	Individual valve	Semi in-line valve	Sub-base valve	
Plug vanes				
	Direct mounting	■	-	-
	Individual sub-base	-	■	■
	Manifold mounting	-	■	■
Moulded-in cable				
	Direct mounting	■	-	-
	Individual sub-base	-	■	■
	Manifold mounting	-	■	■

Solenoid valves MH4, fast-switching valves



Product range overview

Function	Circuit symbol	Design	Response time [ms]		Operating voltage [V DC]	Free of copper and PTFE	→ Page
			3.5	9			
3/2-way valve ¹⁾	Standard nominal flow rate 400 l/min						
		Individual valve	■	■	24	■	2 / 3.2-67
		Semi in-line valve	■	■	24	■	2 / 3.2-71
		Sub-base valve	■	■	24	■	2 / 3.2-78

1) Can be used as a 2/2 way valve by sealing connection 3 or 33

Mounting options				
Design	Individual valve	Semi in-line valve	Sub-base valve	
Plug vanes				
	Direct mounting	■	-	-
	Individual sub-base	-	■	■
	Manifold mounting	-	■	■
Moulded-in cable				
	Direct mounting	■	-	-
	Individual sub-base	-	■	■
	Manifold mounting	-	■	■

Application-optimised directional control valves
Fast-switching valves

3.2

Solenoid valves MH2, fast-switching valves

Type codes

FESTO

		MH	P	2	-	M	S	5	H	-	3/2	-	O	-	M5	-	TC	
Valve family																		
MH	Fast-switching valves																	
Design																		
E	Individual valve																	
P	Semi in-line valve																	
A	Sub-base valve																	
Size																		
2	Flow rate 90 to 100 l/min																	
Drive function																		
M	Solenoid, switching																	
Response time																		
-	7 ms																	
S	2 ms																	
Operating voltage																		
1	24 V DC																	
Manual override																		
H	Non-detenting																	
Valve function																		
3/2	3/2-way valve																	
5/2	5/2-way valve																	
Normal position																		
G	Closed																	
O	Open																	
Pneumatic connection																		
2	Nominal size 2 mm																	
M5	Thread M5																	
M7	Thread M7																	
QS4	Push-in connector for 4 mm O.D. tubing																	
Electrical connection																		
-	Plug vanes for plug socket KMYZ...																	
K	Moulded-in cable, 2.5 m long																	

Application-optimised directional control valves
Fast-switching valves

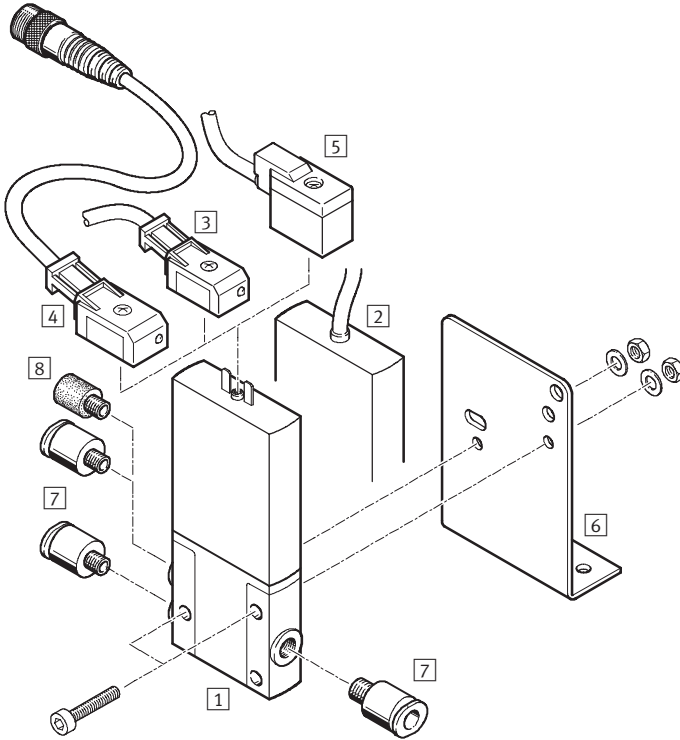
3.2

Solenoid valves MHE2, fast-switching valves

Peripherals overview – Individual valve, 3/2-way valve



Connection with plug vanes – Connection with moulded-in cable



Application-optimised directional control valves
Fast-switching valves

3.2

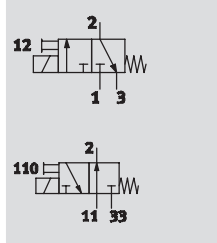
Valves and accessories		
	Brief description	→ Page
1	Individual valve MHE2-...	With plug vanes 2 / 3.2-11
2	Individual valve MHE2-...-K	With moulded-in cable 2 / 3.2-11
3	Plug socket with cable KMYZ-3 (IP65)	With LED and PUR cable 2 / 3.2-44
4	Plug socket with cable KMYZ-3 (IP65)	With LED, PUR cable and M8 plug 2 / 3.2-44
5	Plug socket with cable KMYZ-4 (IP40)	With PVC cable 2 / 3.2-44
6	Mounting bracket MHE2-BG-L	– 2 / 3.2-13
7	Push-in fittings QS	For connecting compressed air tubing with standard O.D. Volume 3
8	Silencer UC	For fitting in exhaust ports Volume 3

Solenoid valves MHE2, fast-switching valves

FESTO

Technical data – Individual valve, 3/2-way valve

Function



Voltage
24 V DC

Pressure
-0.9 ... +8 bar

Temperature range
-5 ... +60 °C



General technical data		
Valve function		3/2 way, single solenoid ¹⁾
Design		Pressure-relieved poppet valve
Sealing principle		Soft
Control type		Electric
Actuation type		Direct
Direction of flow		Reversible with restrictions ²⁾
Exhaust function		With flow control
Manual override		Non-detenting
Assembly position		Any
Grid dimension	[mm]	14 (minimum clearance 4 mm)
Nominal diameter	[mm]	2
Standard nominal flow rate	[l/min]	100
Type of mounting		Via through-holes
Pneumatic connection		Connecting thread M7
		Push-in fitting for tubing O.D. 4 mm
Product weight	[g]	60

1) Can be used as a 2/2 way valve by sealing connection 3 or 33

2) There may be slight leakage in the pressure range -0.5 to +0.5 bar

Operating and environmental conditions		
Operating medium		Filtered compressed air, lubricated or unlubricated, grade of filtration 40 µm
		Vacuum, grade of filtration 40 µm
Operating pressure	[bar]	-0.9 ... +8
Operating pressure, reversible	[bar]	-0.9 ... 0
Ambient temperature	[°C]	-5 ... +60 (100% duty cycle)
Temperature of medium	[°C]	-5 ... +60 (100% duty cycle)
Corrosion resistance class CRC		2 ¹⁾
Certification		c UL us - Recognized (OL)

1) Corrosion resistance class 2 according to Festo standard 940 070

Components requiring moderate corrosion resistance. Externally visible parts with primarily decorative surface requirements which are in direct contact with a normal industrial environment or media such as coolants or lubricating agents.

Solenoid valves MHE2, fast-switching valves

Technical data – Individual valve, 3/2-way valve



Application-optimised directional control valves
Fast-switching valves

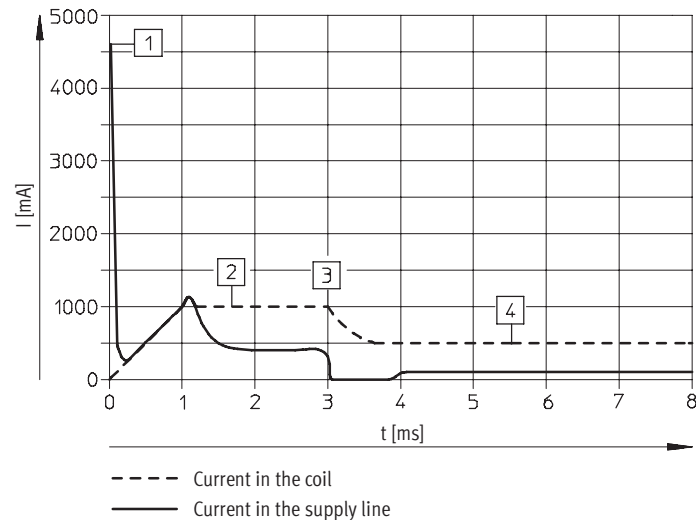
3.2

Electrical data		
Operating voltage	[V DC]	24 ±10%
Type of connection		Plug vanes or moulded-in cable
Power consumption		
With fast-switching electronics	[W]	5 for 3 ms approx. (pull 1 A), then 1.25 W
Without fast-switching electronics	[W]	2.88
Protection class to EN 60529		
With moulded-in cable		IP65
With plug socket with cable KMYZ-3		IP65
With plug socket with cable KMYZ-3 and plug M8		IP65
With plug socket with cable KMYZ-4		IP40

Response times and switching frequencies		
With fast-switching electronics		
Switching time on/off	[ms]	1.7/2 +10% ... -30%
Maximum switching frequency	[Hz]	330 ¹⁾
CE symbol		In accordance with EU EMC Directive
Without fast-switching electronics		
Switching time on/off	[ms]	7/3.5
Maximum switching frequency	[Hz]	130

1) The ambient temperature must be limited as from 125 Hz.

Current path for valves with fast-switching electronics



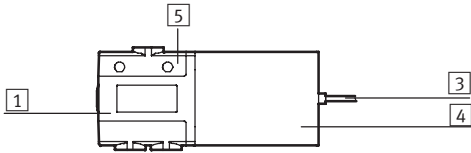
- 1) Capacitor charging
- 2) Controlled coil current 1 A
- 3) Drop to holding current
- 4) Controlled holding current 0.5 A

Solenoid valves MHE2, fast-switching valves

Technical data – Individual valve, 3/2-way valve



Materials



1	Body	Die-cast zinc, coated
3	Cable sheath	Polyurethane
4	Coil housing	Polyamide
5	Connection piece	Polyamide
-	Seals	Nitrile rubber/ hydrogenated nitrile rubber
Note on materials		Free of copper and PTFE

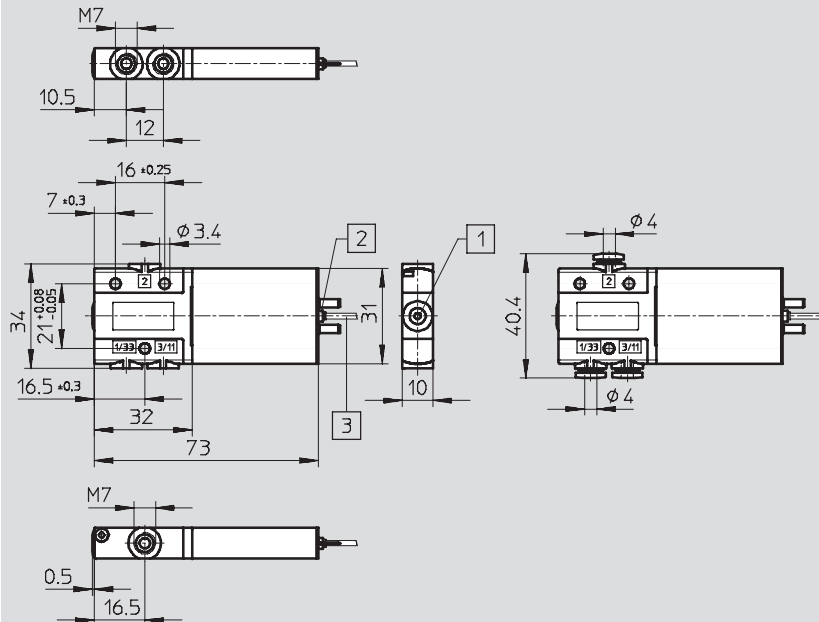
Dimensions

Download CAD data → www.festo.com/en/engineering

Valve with plug vanes or moulded-in cable

MHE2-...-M7

MHE2-...-QS4

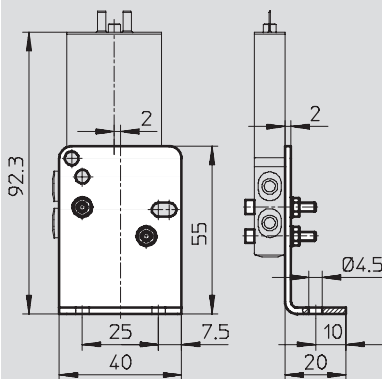


1 Manual override, non-detenting

2 Plug vanes for plug socket with cable KMYZ-3, KMYZ-4

3 Cable 2.5 m

Mounting bracket MHE2-BG-L



Solenoid valves MHE2, fast-switching valves



Technical data – Individual valve, 3/2-way valve

Application-optimised directional control valves
Fast-switching valves

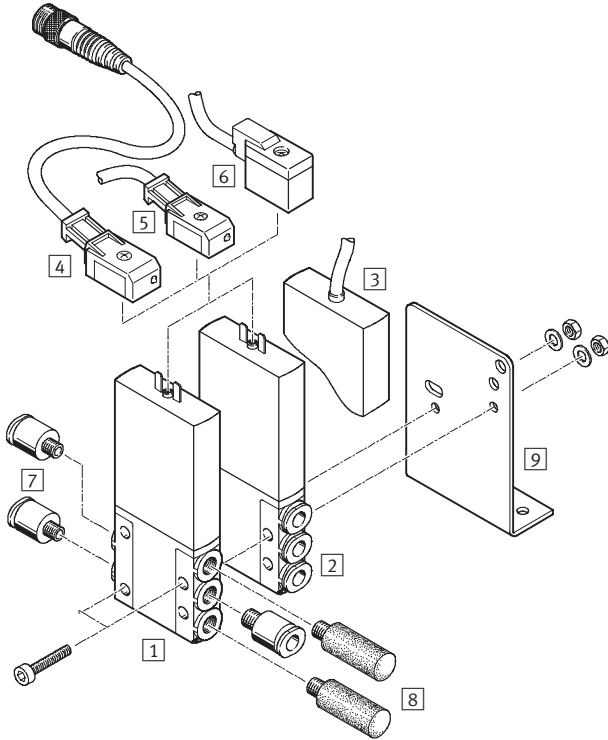
3.2

Ordering data – Valves					
Electrical connection	Operating voltage	Normally closed		Normally open	
		Part No.	Type	Part No.	Type
Response time 2 ms					
Connecting thread M7					
Plug vanes	24 V DC	196 131	MHE2-MS1H-3/2G-M7	196 151	MHE2-MS1H-3/2O-M7
Cable		196 133	MHE2-MS1H-3/2G-M7-K	196 153	MHE2-MS1H-3/2O-M7-K
Push-in connector QS 4					
Plug vanes	24 V DC	196 135	MHE2-MS1H-3/2G-QS4	196 155	MHE2-MS1H-3/2O-QS4
Cable		196 137	MHE2-MS1H-3/2G-QS4-K	196 157	MHE2-MS1H-3/2O-QS4-K
Response time 7 ms					
Connecting thread M7					
Plug vanes	24 V DC	196 130	MHE2-M1H-3/2G-M7	196 150	MHE2-M1H-3/2O-M7
Cable		196 132	MHE2-M1H-3/2G-M7-K	196 152	MHE2-M1H-3/2O-M7-K
Push-in connector QS 4					
Plug vanes	24 V DC	196 134	MHE2-M1H-3/2G-QS4	196 154	MHE2-M1H-3/2O-QS4
Cable		196 136	MHE2-M1H-3/2G-QS4-K	196 156	MHE2-M1H-3/2O-QS4-K
Ordering data – Product-specific accessories					
Designation	Part No.	Type			
Mounting bracket	196 165	MHE2-BG-L			

Solenoid valves MHE2, fast-switching valves

Peripherals overview – Individual valve, 5/2-way valve

Connection with plug vanes – Connection with moulded-in cable

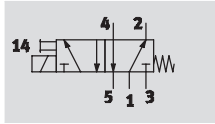


Valves and accessories		Brief description	→ Page
1	Individual valve MHE2-...QS-4	With plug vanes and connection QS-4	2 / 3.2-16
2	Individual valve MHE2-...-M7	With plug vanes and connection M7	2 / 3.2-16
3	Individual valve MHE2-...-K	With moulded-in cable	2 / 3.2-16
4	Plug socket with cable KMYZ-3 (IP65)	With LED, PUR cable and M8 plug	2 / 3.2-44
5	Plug socket with cable KMYZ-3 (IP65)	With LED and PUR cable	2 / 3.2-44
6	Plug socket with cable KMYZ-4 (IP40)	With PVC cable	2 / 3.2-44
7	Push-in fittings QS	For connecting compressed air tubing with standard external diameters	Volume 3
8	Silencer UC	For fitting in exhaust ports	Volume 3
9	Mounting bracket MHE2-BG-L	–	2 / 3.2-18


Solenoid valves MHE2, fast-switching valves

Technical data – Individual valve, 5/2-way valve

Function



 - Voltage
24 V DC

 - Pressure
-0.9 ... +8 bar

 - Temperature range
-5 ... +60 °C



General technical data		
Valve function		5/2, single solenoid
Design		Pressure-relieved poppet valve
Sealing principle		Soft
Control type		Electric
Actuation type		Direct
Direction of flow		Reversible with restrictions ²⁾
Exhaust function		With flow control
Manual override		Non-detenting
Assembly position		Any
Grid dimension	[mm]	14 (minimum clearance 4 mm)
Nominal diameter	[mm]	2
Standard nominal flow rate	[l/min]	90
Type of mounting		Via through-holes
Pneumatic connection		Connecting thread M7
		Push-in fitting for tubing O.D. 4 mm
Product weight	[g]	65

Operating and environmental conditions		
Operating medium		Filtered compressed air, lubricated or unlubricated, grade of filtration 40 µm
		Vacuum, grade of filtration 40 µm
Operating pressure	[bar]	-0.9 ... +8
Ambient temperature	[°C]	-5 ... +60 (100% duty cycle)
Temperature of medium	[°C]	-5 ... +60 (100% duty cycle)
Corrosion resistance class CRC		2 ¹⁾
Certification		c UL us - Recognised (OL)

1) Corrosion resistance class 2 according to Festo standard 940 070
Components requiring moderate corrosion resistance. Externally visible parts with primarily decorative surface requirements which are in direct contact with a normal industrial environment or media such as coolants or lubricating agents.

2) With reversible operation leakage may occur.

Solenoid valves MHE2, fast-switching valves

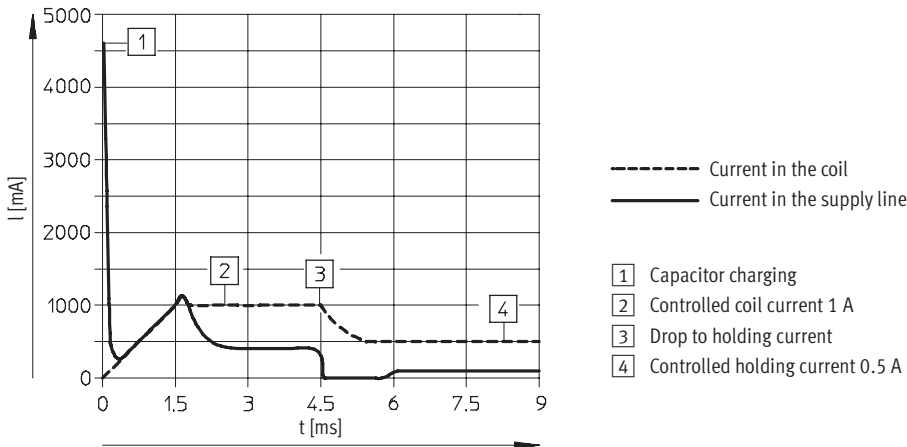
Technical data – Individual valve, 5/2-way valve

Electrical data		
Operating voltage	[V DC]	24 ±10%
Type of connection		Plug vanes or moulded-in cable
Power consumption		
Low-current phase	[W]	1.625
High-current phase	[W]	6.5
Protection class to EN 60529		
With moulded-in cable		IP65
With plug socket with cable KMYZ-3		IP65
With plug socket with cable KMYZ-3 and plug M8		IP65
With plug socket with cable KMYZ-4		IP40

Response times and switching frequencies		
Response time on	[ms]	1.9 +10% ... -30%
Response time off	[ms]	1.7 +10% ... -30%
Maximum switching frequency	[Hz]	300 ¹⁾
CE symbol		In accordance with EU EMC Directive

1) The ambient temperature must be limited as from 100 Hz.

Current path



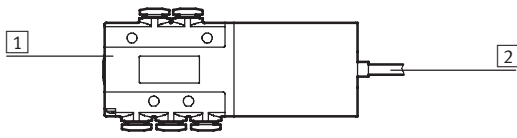
Solenoid valves MHE2, fast-switching valves

Technical data – Individual valve, 5/2-way valve

Application-optimised directional control valves
Fast-switching valves

3.2

Materials



1	Body	Die-cast zinc, coated
2	Cable sheath	Polyurethane
-	Seals	Nitrile rubber/ hydrogenated nitrile rubber
-	Screws	Galvanised steel
	Note on materials	Free of copper and PTFE

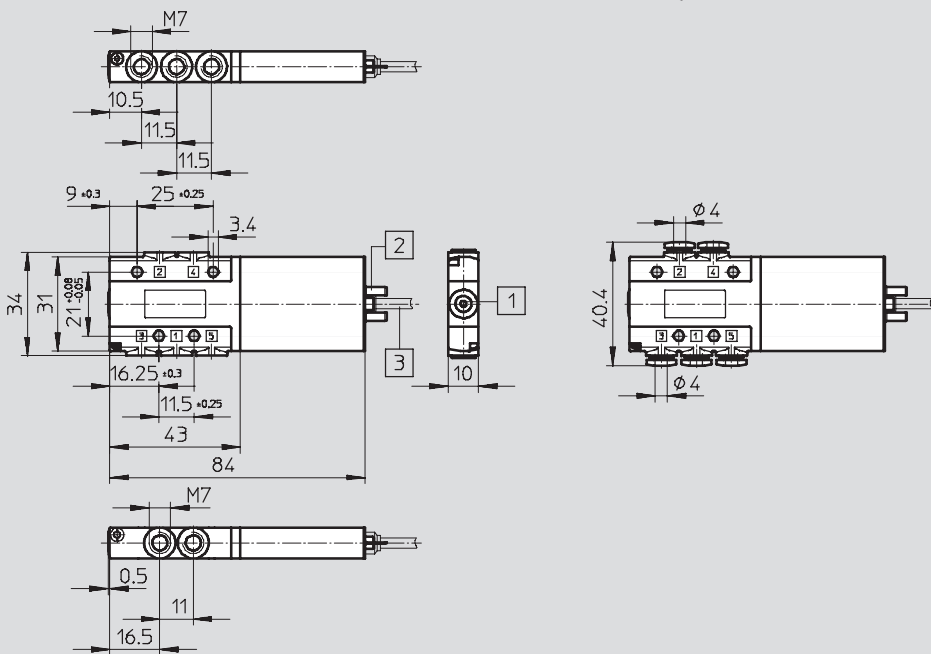
Dimensions

Download CAD data → www.festo.com/en/engineering

Valve with plug vanes or moulded-in cable

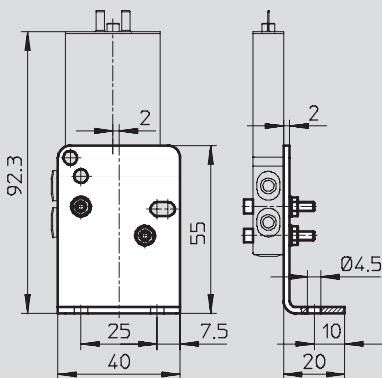
MHE2-...-M7

MHE2-...-QS4



- 1 Manual override, non-detenting
- 2 Plug vanes for plug socket with cable KMYZ-3, KMYZ-4
- 3 Cable 2.5 m

Mounting bracket MHE2-BG-L



Solenoid valves MHE2, fast-switching valves

Technical data – Individual valve, 5/2-way valve

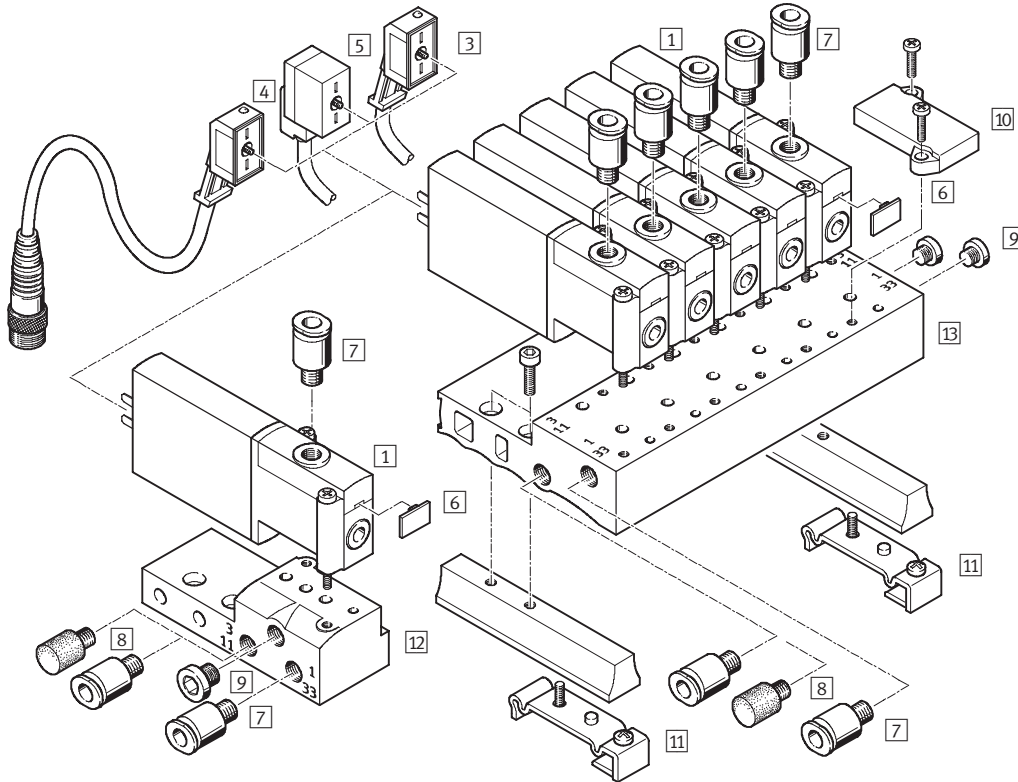
Ordering data – Valves			
Electrical connection	Operating voltage	Part No.	Type
Connecting thread M7			
Plug vanes	24 V DC	525113	MHE2-MS1H-5/2-M7
Cable		525115	MHE2-MS1H-5/2-M7-K
Push-in connector QS 4			
Plug vanes	24 V DC	525117	MHE2-MS1H-5/2-QS-4
Cable		525119	MHE2-MS1H-5/2-QS-4-K

Ordering data – Product-specific accessories			
Designation	Part No.	Type	
Mounting bracket	196 165	MHE2-BG-L	

Solenoid valves MHP2, fast-switching valves

Peripherals overview – Semi in-line valve, 3/2-way valve

Connection with plug vanes – Connection with moulded-in cable ...-K



Application-optimised directional control valves
Fast-switching valves

3.2

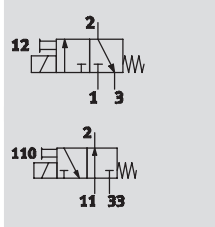
Valves and accessories		
	Brief description	→ Page
1	Semi in-line valve MHP2-...	With plug vanes 2 / 3.2-21
2	Semi in-line valve MHP2-...-K	With moulded-in cable 2 / 3.2-21
3	Plug socket with cable KMYZ-3 (IP65)	With LED and PUR cable 2 / 3.2-44
4	Plug socket with cable KMYZ-3 (IP65)	With LED, PUR cable and M8 plug 2 / 3.2-44
5	Plug socket with cable KMYZ-4 (IP40)	With PVC cable 2 / 3.2-44
6	Inscription label MH-BZ-80X	For identifying the valves 2 / 3.2-44
7	Push-in fittings QS	For connecting compressed air tubing with standard O.D. Volume 3
8	Silencer UC	For fitting in exhaust ports Volume 3
9	Blanking plug B	For sealing unused ports 2 / 3.2-44
10	Blanking plate MHAP2-BP-3	For sealing vacant positions 2 / 3.2-44
11	Hat-rail mounting MHAP2-BG-NRH-35	- 2 / 3.2-44
12	Individual sub-base MHA2-AS-3-M5	For semi in-line valve; the individual sub-base is also used for the sub-base valve, the output port must in this case be sealed with a blanking plug 2 / 3.2-24
13	Manifold block MHP2-PR...-3	For semi in-line valve 2 / 3.2-24

Solenoid valves MHP2, fast-switching valves

Technical data – Semi in-line valve, 3/2-way valve

FESTO

Function



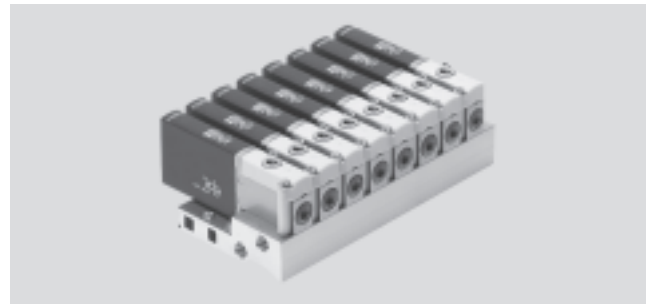
Voltage
24 V DC



Pressure
-0.9 ... +8 bar



Temperature range
-5 ... +40 °C



General technical data	
Valve function	3/2 way, single solenoid ¹⁾
Design	Pressure-relieved poppet valve
Sealing principle	Soft
Control type	Electric
Actuation type	Direct
Direction of flow	Reversible with restrictions ²⁾
Exhaust function	With flow control
Manual override	Non-detenting
Assembly position	Any
Grid dimension	[mm] 14
Nominal diameter	[mm] 2
Standard nominal flow rate	[l/min] 100
Type of mounting	On sub-base/manifold
Pneumatic connection	Connecting thread M5
	Push-in fitting for tubing O.D. 4 mm
Product weight	[g] 50

1) Can be used as a 2/2 way valve by sealing connection 3 or 33

2) There may be slight leakage in the pressure range -0.5 to +0.5 bar

Operating and environmental conditions	
Operating medium	Filtered compressed air, lubricated or unlubricated, grade of filtration 40 µm
	Vacuum, grade of filtration 40 µm
Operating pressure	[bar] -0.9 ... +8
Operating pressure, reversible	[bar] -0.9 ... 0
Ambient temperature	[°C] -5 ... +40 (100% duty cycle)
Temperature of medium	[°C] -5 ... +40 (100% duty cycle)
Corrosion resistance class CRC	2 ¹⁾
Certification	c UL us - Recognised (OL)

1) Corrosion resistance class 2 according to Festo standard 940 070

Components requiring moderate corrosion resistance. Externally visible parts with primarily decorative surface requirements which are in direct contact with a normal industrial environment or media such as coolants or lubricating agents.

Application-optimised directional control valves
Fast-switching valves

3.2

Solenoid valves MHP2, fast-switching valves

Technical data – Semi in-line valve, 3/2-way valve



Application-optimised directional control valves
Fast-switching valves

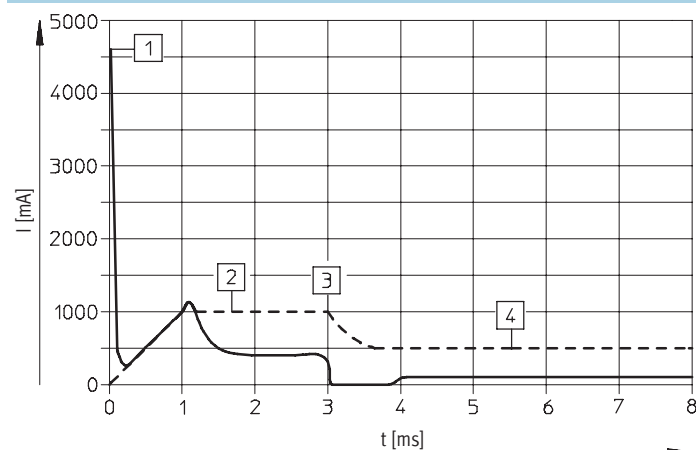
3.2

Electrical data		
Operating voltage	[V DC]	24 ±10%
Type of connection		Plug vanes
Power consumption		
With fast-switching electronics	[W]	5 for 3 ms approx. (pull 1 A), then 1.25 W
Without fast-switching electronics	[W]	2.88
Protection class to EN 60529		
With moulded-in cable		IP65
With plug socket with cable KMH		IP40
With plug socket with cable KMYZ-3		IP65
With plug socket with cable KMYZ-3 and plug M8		IP65
With plug socket with cable KMYZ-4		IP40

Response times and switching frequencies		
With fast-switching electronics		
Switching time on/off	[ms]	1.7/2 +10% ... -30%
Maximum switching frequency	[Hz]	330 ¹⁾
CE symbol		In accordance with EU EMC Directive
Without fast-switching electronics		
Switching time on/off	[ms]	7/3.5
Maximum switching frequency	[Hz]	130

1) The ambient temperature must be limited from 100 Hz.

Current path for valves with fast-switching electronics



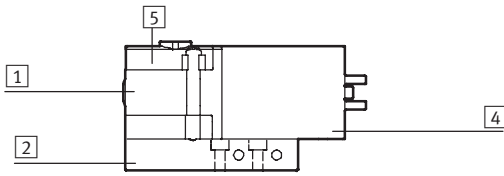
- 1) Capacitor charging
- 2) Controlled coil current 1 A
- 3) Drop to holding current
- 4) Controlled holding current 0.5 A

Solenoid valves MHP2, fast-switching valves

Technical data – Semi in-line valve, 3/2-way valve



Materials

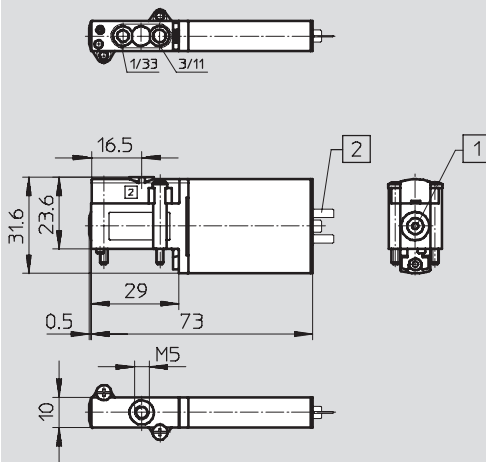


1	Body	Die-cast zinc
2	Sub-base	Manifold block: Aluminium Individual sub-base: Die-cast zinc
3	Cable sheath	Polyurethane
4	Coil housing	Polyamide
5	Connection piece	Polyamide
-	Seals	Nitrile rubber/ hydrogenated nitrile rubber
Note on materials		Free of copper and PTFE

Dimensions

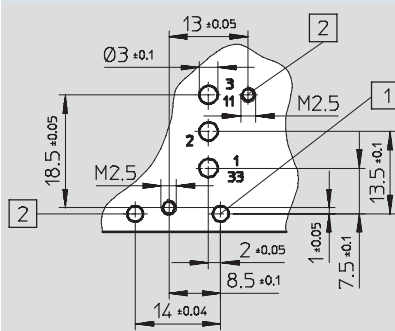
Download CAD data → www.festo.com/en/engineering

Valve with plug vanes



- 1 Manual override, non-detenting
- 2 Plug vanes for plug socket with cable KMYZ-3, KMYZ-4

Port pattern on sub-bases



- 1 Hole for coding pin, 1.7^{+0.2} mm deep
- 2 Mounting thread, 4.6⁺¹ mm deep

Solenoid valves MHP2, fast-switching valves

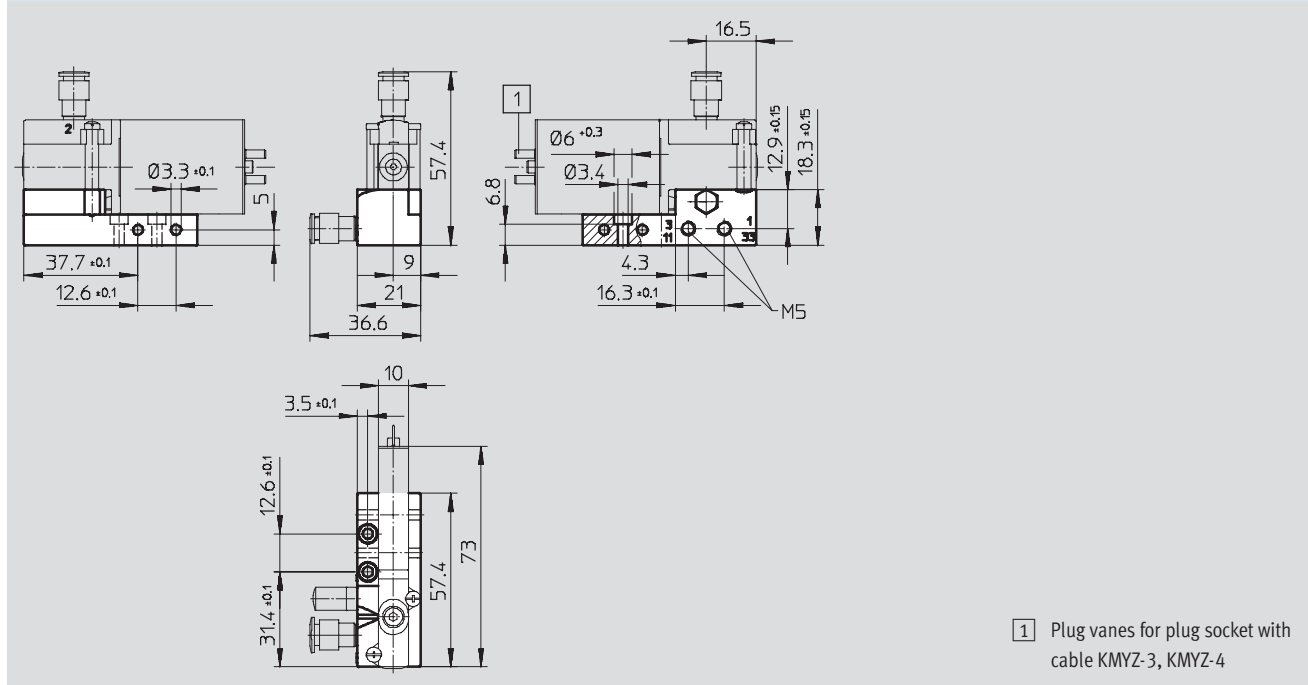
Technical data – Semi in-line valve, 3/2-way valve



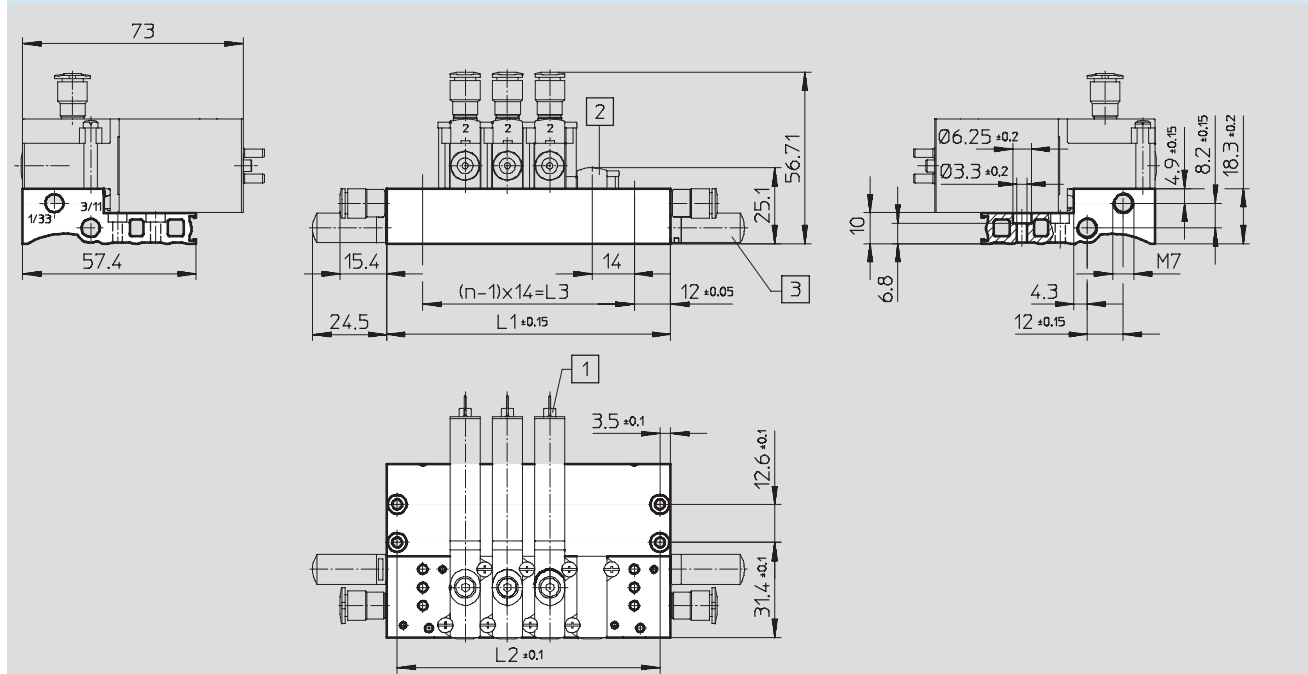
Application-optimised directional control valves
Fast-switching valves

3.2

Dimensions Download CAD data → www.festo.com/en/engineering



Manifold mounting



- 1 Plug vanes for plug socket with cable KMYZ-3, KMYZ-4
- 2 Blanking plate MHAP2-BP-3
- 3 Silencer UC

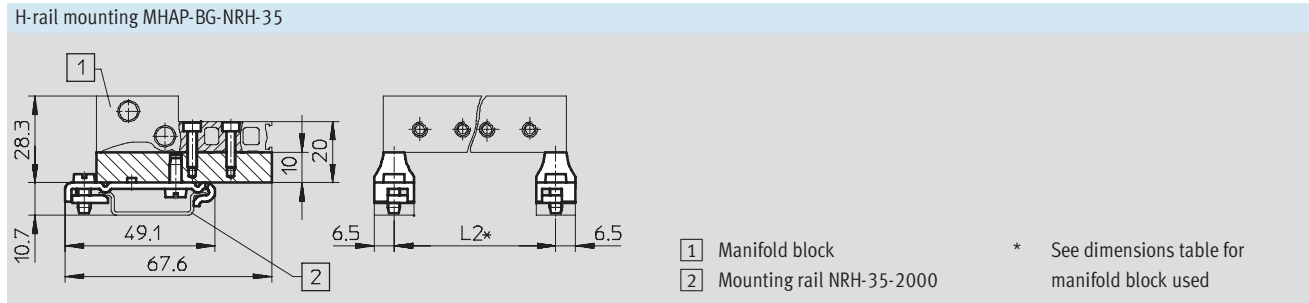
Valve positions n	L1	L2	L3
2	38	31	14
3	52	45	18
4	66	59	42

Valve positions n	L1	L2	L3
5	80	73	56
6	94	87	70
7	108	101	84

Valve positions n	L1	L2	L3
8	122	115	98
9	136	129	112
10	150	143	126

Solenoid valves MHP2, fast-switching valves

Technical data – Semi in-line valve, 3/2-way valve



Valve positions n	2	3	4	5	6	7	8	9	10
L1	38	52	66	80	94	108	122	136	150
L2	31	45	59	73	87	101	115	129	143
L3	14	28	42	56	70	84	98	112	126

Ordering data – Valves					
Electrical connection	Operating voltage	Normally closed		Normally open	
		Part No.	Type	Part No.	Type
Response time 2 ms					
Connecting thread M5					
Plug vanes	24 V DC	196 123	MHP2-MS1H-3/2G-M5	196 143	MHP2-MS1H-3/2O-M5
Response time 7 ms					
Connecting thread M5					
Plug vanes	24 V DC	196 122	MHP2-M1H-3/2G-M5	196 142	MHP2-M1H-3/2O-M5

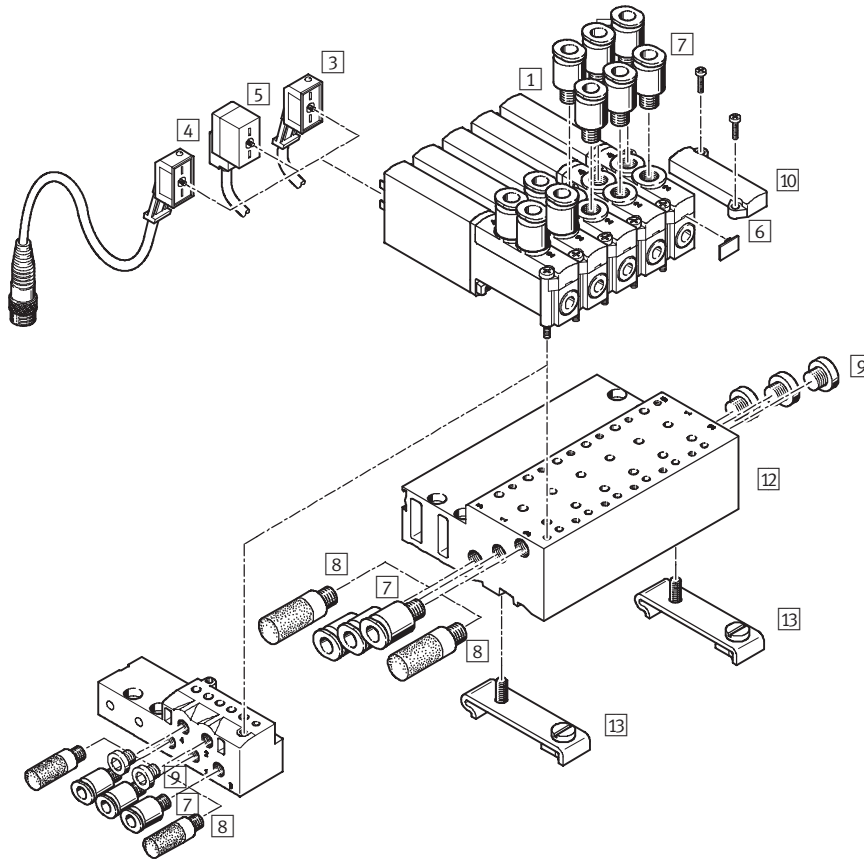
- - Note
Type 3/2G and type 3/2O valves must not be mixed on a manifold block.

Ordering data – Product-specific accessories			
Designation		Part No.	Type
Valves with plug vanes			
Individual sub-base		197 438	MHA2-AS-3-M5
Manifold block for ...	2 valves	197 442	MHP2-PR2-3
	4 valves	197 443	MHP2-PR4-3
	6 valves	197 444	MHP2-PR6-3
	8 valves	197 445	MHP2-PR8-3
	10 valves	197 446	MHP2-PR10-3

Solenoid valves MHP2, fast-switching valves

Peripherals overview – Semi in-line valve, 5/2-way valve

Connection with plug vanes – Connection with moulded-in cable ...-K



Application-optimised directional control valves
Fast-switching valves

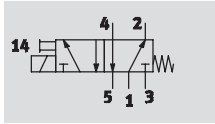
3.2

Valves and accessories		
	Brief description	→ Page
1	Semi in-line valve MHP2-...	With plug vanes 2 / 3.2-27
3	Plug socket with cable KMYZ-3 (IP65)	With LED and PUR cable 2 / 3.2-44
4	Plug socket with cable KMYZ-3 (IP65)	With LED, PUR cable and M8 plug 2 / 3.2-44
5	Plug socket with cable KMYZ-4 (IP40)	With PVC cable 2 / 3.2-44
6	Inscription label MH-BZ-80X	For identifying the valves 2 / 3.2-44
7	Push-in fittings QS	For connecting compressed air tubing with standard external diameters Volume 3
8	Silencer UC	For fitting in exhaust ports Volume 3
9	Blanking plug B	For sealing unused ports 2 / 3.2-44
10	Blanking plate MHAP2-BP-5	For sealing vacant positions 2 / 3.2-44
11	Individual sub-base MHA2-AS-3-M5	For semi in-line valve; the individual sub-base is also used for the sub-base valve, the output port must in this case be sealed with a blanking plug 2 / 3.2-31
12	Manifold block MHP2-PR...-5	For semi in-line valve 2 / 3.2-31
13	H-rail mounting CPV10/14-VI-BG-NRH-35	– 2 / 3.2-44

Solenoid valves MHP2, fast-switching valves

Technical data – Semi in-line valve, 5/2-way valve

Function



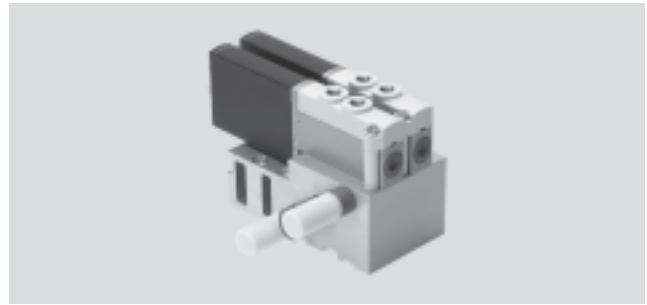
Voltage
24 V DC



Pressure
-0.9 ... +8 bar



Temperature range
-5 ... +40 °C



General technical data	
Valve function	5/2, single solenoid
Design	Pressure-relieved poppet valve
Sealing principle	Soft
Control type	Electric
Actuation type	Direct
Direction of flow	Reversible with restrictions ²⁾
Exhaust function	With flow control
Manual override	Non-detenting
Assembly position	Any
Grid dimension	[mm] 14
Nominal diameter	[mm] 2
Standard nominal flow rate	[l/min] 90
Type of mounting	On sub-base/manifold
Pneumatic connection	Connecting thread M5
	Push-in fitting for tubing O.D. 4 mm
Product weight	[g] 65

Operating and environmental conditions	
Operating medium	Filtered compressed air, lubricated or unlubricated, grade of filtration 40 µm
	Vacuum, grade of filtration 40 µm
Operating pressure	[bar] -0.9 ... +8
Ambient temperature	[°C] -5 ... +40 (100% duty cycle)
Temperature of medium	[°C] -5 ... +40 (100% duty cycle)
Corrosion resistance class CRC	2 ¹⁾
Certification	c UL us - Recognised (OL)

1) Corrosion resistance class 2 according to Festo standard 940 070

Components requiring moderate corrosion resistance. Externally visible parts with primarily decorative surface requirements which are in direct contact with a normal industrial environment or media such as coolants or lubricating agents.

2) With reversible operation leakage may occur.

Solenoid valves MHP2, fast-switching valves

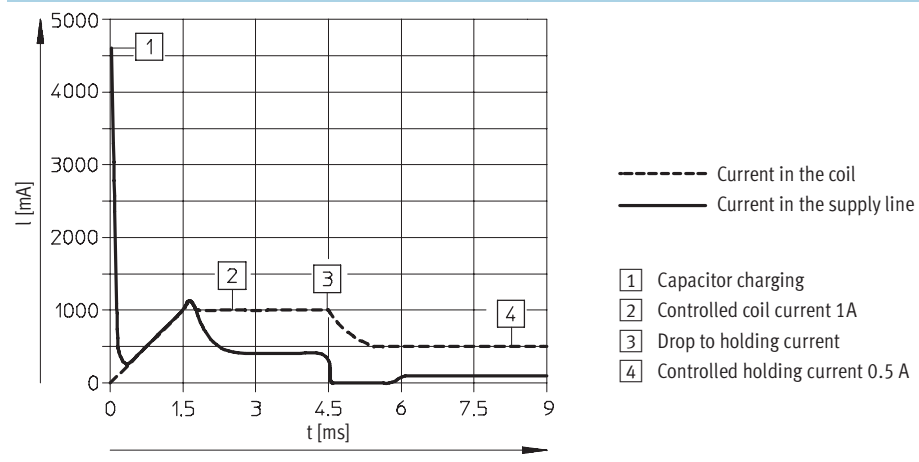
Technical data – Semi in-line valve, 5/2-way valve

Electrical data		
Operating voltage	[V DC]	24 ±10%
Type of connection		Plug vanes
Power consumption		
Low-current phase	[W]	1.625
High-current phase	[W]	6.5
Protection class to EN 60529		
With plug socket with cable KMYZ-3		IP65
With plug socket with cable KMYZ-3 and plug M8		IP65
With plug socket with cable KMYZ-4		IP40

Response times and switching frequencies		
Response time on	[ms]	1.9 +10% ... -30%
Response time off	[ms]	1.7 +10% ... -30%
Maximum switching frequency	[Hz]	300 ¹⁾
CE symbol		In accordance with EU EMC Directive

1) The ambient temperature must be limited as from 75 Hz.

Current path

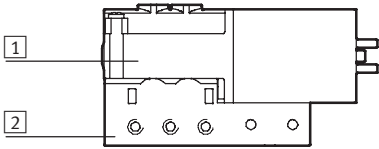


Solenoid valves MHP2, fast-switching valves

Technical data – Semi in-line valve, 5/2-way valve



Materials



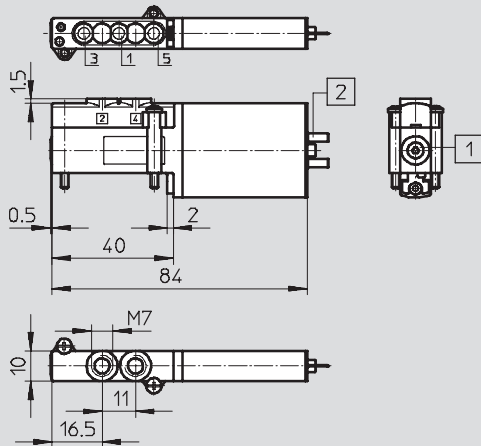
1	Body	Die-cast zinc, coated
2	Sub-base	Die-cast zinc
-	Seals	Nitrile rubber/ hydrogenated nitrile rubber
-	Screws	Galvanised steel
Note on materials		Free of copper and PTFE

Dimensions

Download CAD data → www.festo.com/en/engineering

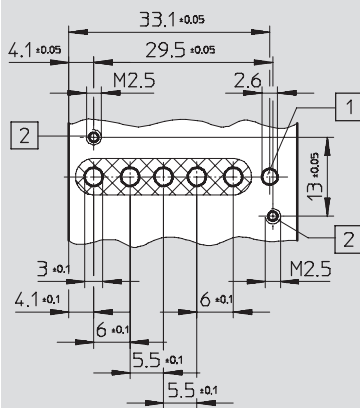
Valve with plug vanes or moulded-in cable ...-K

MHP2-...-M5




- 1 Manual override, non-detenting
- 2 Plug vanes for plug socket with cable KMYZ-3, KMYZ-4

Port pattern on sub-bases



- 1 Hole for coding pin, 1.7 mm deep
- 2 Mounting thread, 4.6 mm deep

 Note
Semi in-line valves do not require ports 2 and 4.

Solenoid valves MHP2, fast-switching valves

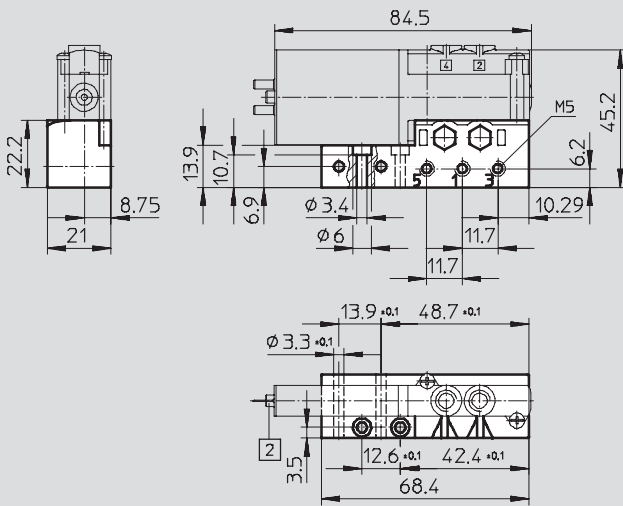
Technical data – Semi in-line valve, 5/2-way valve

Application-optimised directional control valves
Fast-switching valves

Dimensions

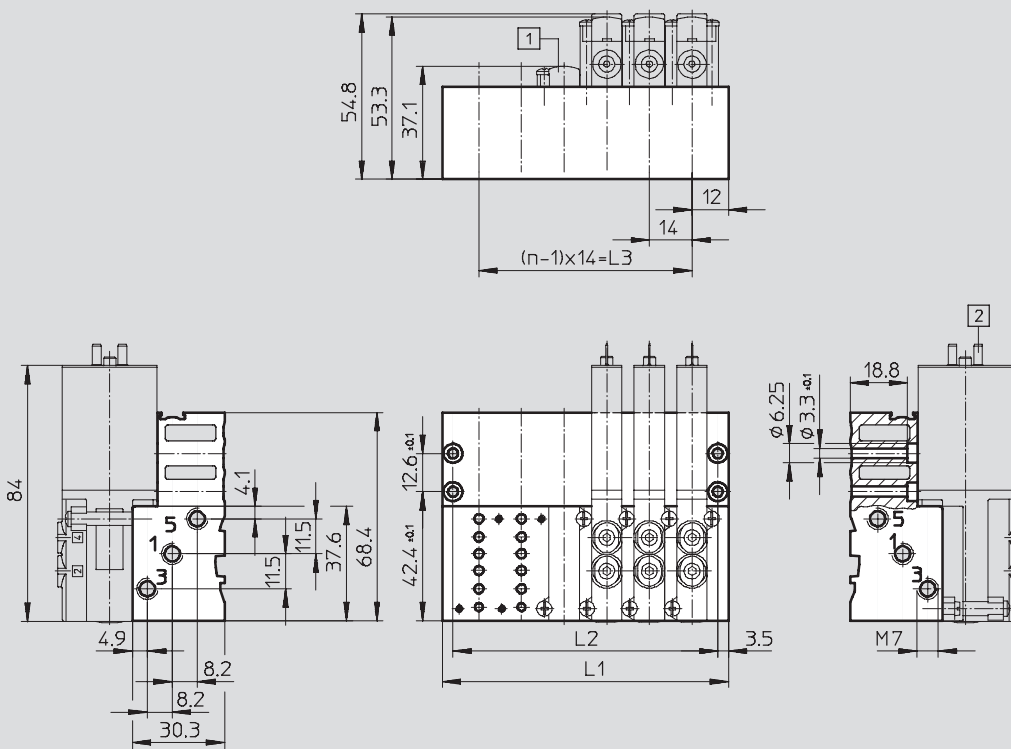
Download CAD data → www.festo.com/en/engineering

Individual sub-base



2 Plug vanes for plug socket with cable KMYZ-3, KMYZ-4

Manifold mounting



1 Blanking plate MHAP2-BP-5

2 Plug vanes for plug socket with cable KMYZ-3, KMYZ-4

Valve positions n	L1	L2	L3
2	38	31	14
3	52	45	18
4	66	59	42

Valve positions n	L1	L2	L3
5	80	73	56
6	94	87	70
7	108	101	84

Valve positions n	L1	L2	L3
8	122	115	98
9	136	129	112
10	150	143	126

Solenoid valves MHP2, fast-switching valves

Technical data – Semi in-line valve, 5/2-way valve

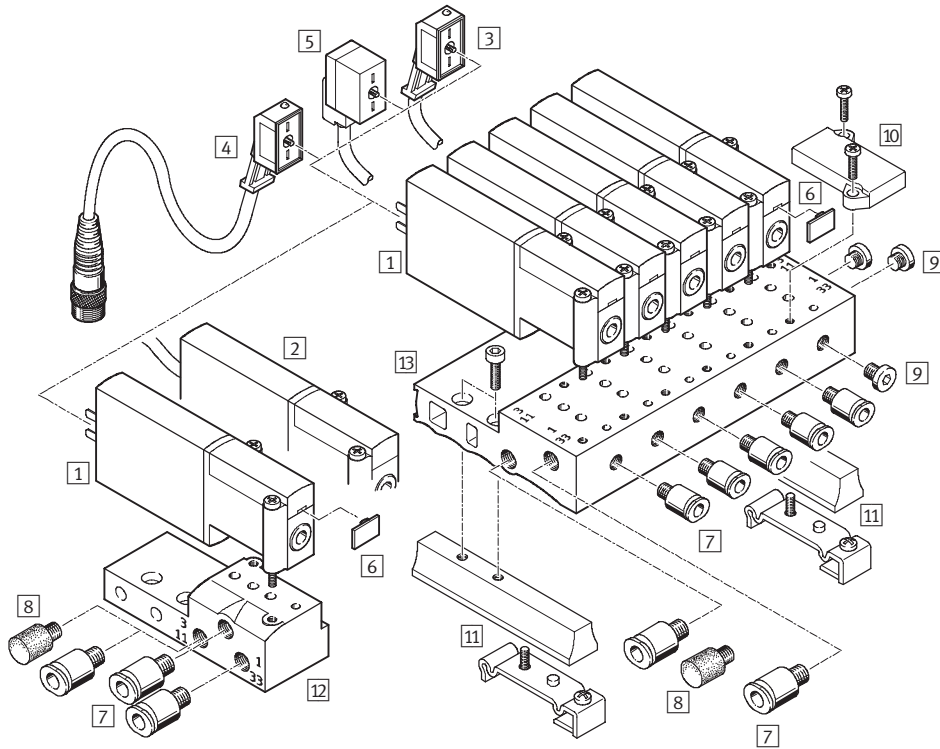
Ordering data – Valves			
Electrical connection	Operating voltage	Part No.	Type
Connecting thread M5			
Plug vanes	24 V DC	525 105	MHP2-MS1H-5/2-M5

Ordering data – Product-specific accessories			
Designation		Part No.	Type
Valve with plug vanes			
Individual sub-base		525 120	MHA2-AS-5-M5
Manifold block for ...	2 valves	525 122	MHP2-PR2-5
	4 valves	525 123	MHP2-PR4-5
	6 valves	525 124	MHP2-PR6-5
	8 valves	525 125	MHP2-PR8-5
	10 valves	525 126	MHP2-PR10-5

Solenoid valves MHA2, fast-switching valves

Peripherals overview – Sub-base valve, 3/2-way valve

Connection with plug vanes – Connection with moulded-in cable ...-K



Application-optimised directional control valves
Fast-switching valves

3.2

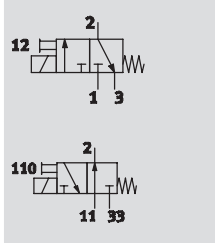
Valves and accessories		
	Brief description	→ Page
1	Sub-base valve MHA2-...	With plug vanes 2 / 3.2-33
2	Sub-base valve MHA2-...-K	With moulded-in cable 2 / 3.2-33
3	Plug socket KMYZ-3 (IP 65)	With LED and PUR cable 2 / 3.2-44
4	Plug socket KMYZ-3 (IP 65)	With LED, PUR cable and M8 plug 2 / 3.2-44
5	Plug socket KMYZ-4 (IP 40)	With PVC cable 2 / 3.2-44
6	Inscription label MH-BZ-80X	For identifying the valves 2 / 3.2-44
7	Push-in fittings QS	For connecting compressed air tubing with standard O.D.P Volume 3
8	Silencer UC	For fitting in exhaust ports Volume 3
9	Blanking plug B	For sealing unused ports 2 / 3.2-44
10	Blanking plate MHAP2-BP-3	For sealing vacant positions 2 / 3.2-44
11	H-rail mounting MHAP2-BG-NRH-35	– 2 / 3.2-44
12	Individual sub-base MHA2-AS-3-M5	For sub-base valve 2 / 3.2-36
13	Manifold block MHA2-PR...-3-M5	For sub-base valve 2 / 3.2-36

Solenoid valves MHA2, fast-switching valves



Technical data – Sub-base valve, 3/2-way valve

Function



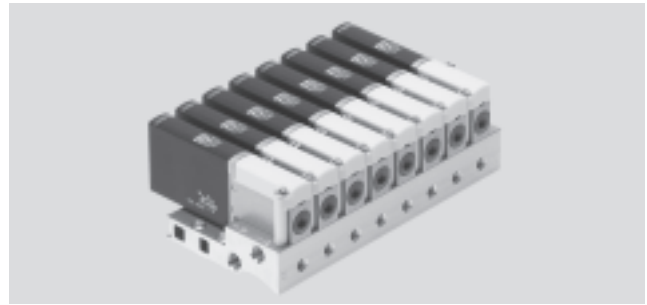
Voltage
24 V DC



Pressure
-0.9 ... +8 bar



Temperature range
-5 ... +40 °C



General technical data

Valve function	3/2 way, single solenoid ¹⁾
Design	Pressure-relieved poppet valve
Sealing principle	Soft
Control type	Electric
Actuation type	Direct
Direction of flow	Reversible with restrictions ²⁾
Exhaust function	With flow control
Manual override	Non-detenting
Assembly position	Any
Grid dimension	[mm] 14
Nominal diameter	[mm] 2
Standard nominal flow rate	[l/min] 100
Type of mounting	On sub-base/manifold
Pneumatic connection	Connecting thread M5 or M7
Product weight	[g] 50

- 1) Can be used as a 2/2 way valve by sealing connection 3 or 33
 2) There may be slight leakage in the pressure range -0.5 to +0.5 bar

Operating and environmental conditions

Operating medium	Filtered compressed air, lubricated or unlubricated, grade of filtration 40 µm
	Vacuum, grade of filtration 40 µm
Operating pressure	[bar] -0.9 ... +8
Operating pressure, reversible	[bar] -0.9 ... 0
Ambient temperature	[°C] -5 ... +40 (100% duty cycle)
Temperature of medium	[°C] -5 ... +40 (100% duty cycle)
Corrosion resistance class CRC	2 ¹⁾
Certification	c UL us - Recognised (OL)

- 1) Corrosion resistance class 2 according to Festo standard 940 070
 Components requiring moderate corrosion resistance. Externally visible parts with primarily decorative surface requirements which are in direct contact with a normal industrial environment or media such as coolants or lubricating agents.

Solenoid valves MHA2, fast-switching valves

Technical data – Sub-base valve, 3/2-way valve



Application-optimised directional control valves
Fast-switching valves

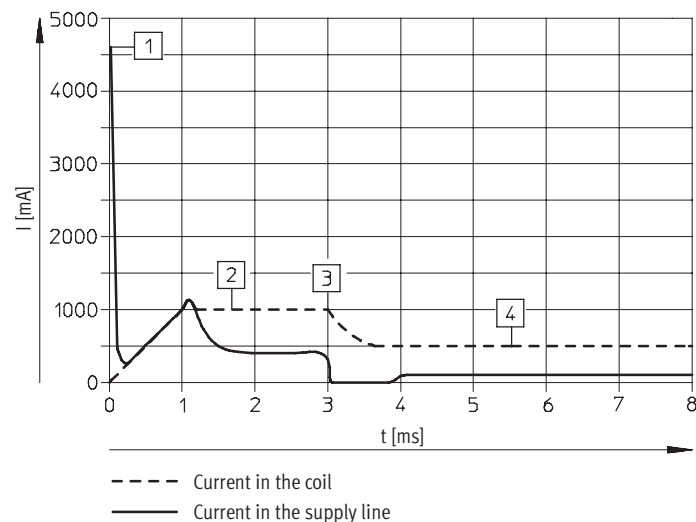
3.2

Electrical data		
Operating voltage	[V DC]	24 ±10%
Type of connection		Plug vanes or moulded-in cable
Power consumption		
With fast-switching electronics	[W]	5 for 3 ms approx. (pull 1 A), then 1.25 W
Without fast-switching electronics	[W]	2.88
Protection class to EN 60529		
With moulded-in cable		IP65
With plug socket with cable KMH		IP40
With plug socket with cable KMYZ-3		IP65
With plug socket with cable KMYZ-3 and plug M8		IP65
With plug socket with cable KMYZ-4		IP40
With plug base MHAP-PI		IP40
With Sub-D connector plug		IP40

Response times and switching frequencies		
With fast-switching electronics		
Switching time on/off	[ms]	1.7/2 +10% ... -30%
Maximum switching frequency	[Hz]	330 ¹⁾
CE symbol		In accordance with EU EMC Directive
Without fast-switching electronics		
Switching time on/off	[ms]	7/3.5
Maximum switching frequency	[Hz]	130

1) The ambient temperature must be limited as from 100 Hz.

Current path for valves with fast-switching electronics



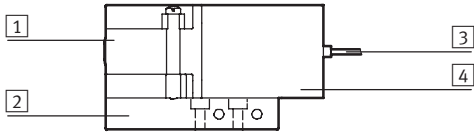
- 1 Capacitor charging
- 2 Controlled coil current 1 A
- 3 Drop to holding current
- 4 Controlled holding current 0.5 A

Solenoid valves MHA2, fast-switching valves

Technical data – Sub-base valve, 3/2-way valve



Materials

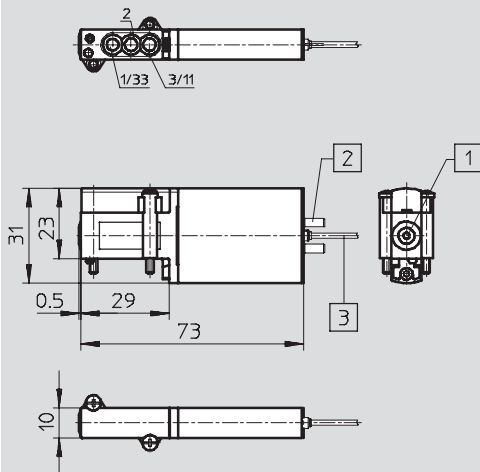


1	Body	Die-cast zinc, coated
2	Sub-base	Manifold block: Aluminium Individual sub-base: Die-cast zinc
3	Cable sheath	Polyurethane
4	Coil housing	Polyamide
-	Seals	Nitrile rubber/ hydrogenated nitrile rubber
Note on materials		Free of copper and PTFE

Dimensions

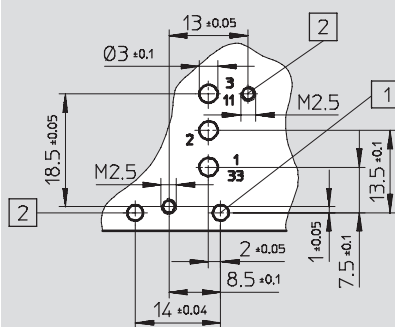
Download CAD data → www.festo.com/en/engineering

Valve with plug vanes or moulded-in cable ...-K



- 1 Manual override, non-detenting
- 2 Plug vanes for plug socket with cable KMYZ-3, KMYZ-4
- 3 Cable 2.5 m

Port pattern on sub-bases



- 1 Hole for coding pin, 1.7^{+0.2} mm deep
- 2 Mounting thread, 4.6⁺¹ mm deep

Solenoid valves MHA2, fast-switching valves

Technical data – Sub-base valve, 3/2-way valve



Application-optimised directional control valves
Fast-switching valves

3.2

Dimensions Download CAD data → www.festo.com/en/engineering

Individual sub-base

1 Plug vanes for plug socket with cable KMYZ-3, KMYZ-4
2 Cable 2.5 m

Manifold mounting

1 Plug vanes for plug socket with cable KMYZ-3, KMYZ-4
2 Cable 2.5 m
3 Blanking plate MHAP2-BP-3
4 Silencer UC

Valve positions n	L1	L2	L3
2	38	31	14
3	52	45	18
4	66	59	42


Valve positions n	L1	L2	L3
5	80	73	56
6	94	87	70
7	108	101	84

Valve positions n	L1	L2	L3
8	122	115	98
9	136	129	112
10	150	143	126

Solenoid valves MHA2, fast-switching valves

Technical data – Sub-base valve, 3/2-way valve

Ordering data – Valves					
Electrical connection	Operating voltage	Normally closed		Normally open	
		Part No.	Type	Part No.	Type
Response time 2 ms					
Plug vanes	24 V DC	196 119	MHA2-MS1H-3/2G-2	196 139	MHA2-MS1H-3/2O-2
Cable	24 V DC	196 121	MHA2-MS1H-3/2G-2-K	196 141	MHA2-MS1H-3/2O-2-K
Response time 7 ms					
Plug vanes	24 V DC	196 118	MHA2-M1H-3/2G-2	196 138	MHA2-M1H-3/2O-2
Cable	24 V DC	196 120	MHA2-M1H-3/2G-2-K	196 140	MHA2-M1H-3/2O-2-K

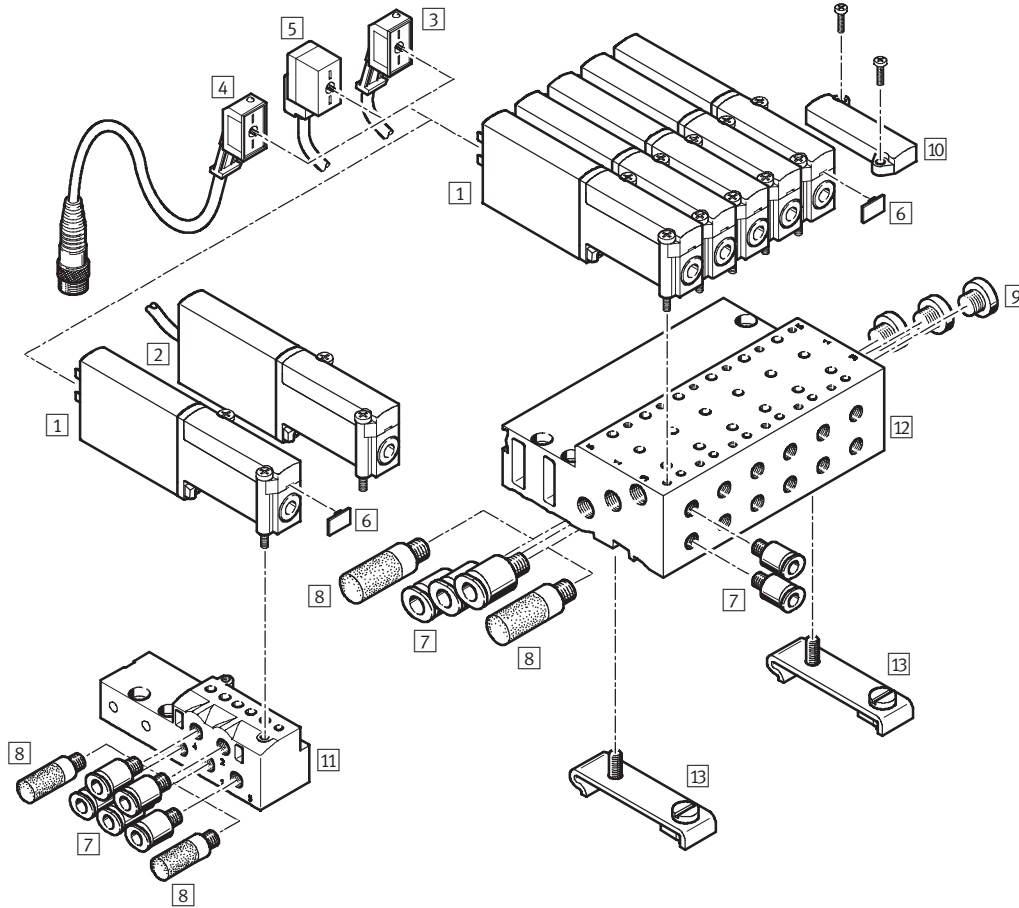
 Note
 Type 3/2G and type 3/2O valves must not be mixed on a manifold block.

Ordering data – Product-specific accessories		
Designation	Part No.	Type
Valves with plug vanes or cable		
Individual sub-base	197 438	MHA2-AS-3-M5
Manifold for ...	2 valves	197 447 MHA2-PR2-3-M5
	4 valves	197 448 MHA2-PR4-3-M5
	6 valves	197 449 MHA2-PR6-3-M5
	8 valves	197 450 MHA2-PR8-3-M5
	10 valves	197 451 MHA2-PR10-3-M5

Solenoid valves MHA2, fast-switching valves

Peripherals overview – Sub-base valve, 5/2-way valve

Connection with plug vanes – Connection with moulded-in cable ...-K



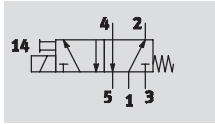
Application-optimised directional control valves
Fast-switching valves
3.2

Valves and accessories		
	Brief description	→ Page
1	Sub-base valve MHA2-...	With plug vanes 2 / 3.2-39
2	Sub-base valve MHA2-...-K	With moulded-in cable 2 / 3.2-39
3	Plug socket KMYZ-3 (IP 65)	With LED and PUR cable 2 / 3.2-44
4	Plug socket KMYZ-3 (IP 65)	With LED, PUR cable and M8 plug 2 / 3.2-44
5	Plug socket KMYZ-4 (IP 40)	With PVC cable 2 / 3.2-44
6	Inscription label MH-BZ-80X	For identifying the valves 2 / 3.2-44
7	Push-in fittings QS	For connecting compressed air tubing with standard external diameters Volume 3
8	Silencer UC	For fitting in exhaust ports Volume 3
9	Blanking plug B	For sealing unused ports 2 / 3.2-44
10	Blanking plate MHAP2-BP-5	For sealing vacant positions 2 / 3.2-44
11	Individual sub-base MHA2-AS-5-M5	For sub-base valve 2 / 3.2-43
12	Manifold block MHA2-PR...-5-M5	For sub-base valve 2 / 3.2-43
13	H-rail mounting CPV10/14-VI-BG-NRH-35	- 2 / 3.2-44


Solenoid valves MHA2, fast-switching valves


Technical data – Sub-base valve, 5/2-way valve

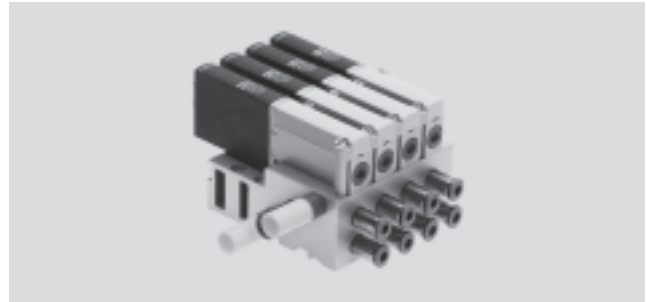
Function



 Voltage
24 V DC

 Pressure
-0.9 ... +8 bar

 Temperature range
-5 ... +40 °C



General technical data	
Valve function	5/2, single solenoid
Design	Pressure-relieved poppet valve
Sealing principle	Soft
Control type	Electric
Actuation type	Direct
Direction of flow	Reversible with restrictions ²⁾
Exhaust function	With flow control
Manual override	Non-detenting
Assembly position	Any
Grid dimension	[mm] 14
Nominal diameter	[mm] 2
Standard nominal flow rate	[l/min] 90
Type of mounting	On sub-base/manifold
Max. tightening torque, valve mounting	[Nm] 0.4
Pneumatic connection	Sub-base
Product weight	[g] 65

Operating and environmental conditions	
Operating medium	Filtered compressed air, lubricated or unlubricated, grade of filtration 40 µm Vacuum, grade of filtration 40 µm
Operating pressure	[bar] -0.9 ... +8
Ambient temperature	[°C] -5 ... +40 (100% duty cycle)
Temperature of medium	[°C] -5 ... +40 (100% duty cycle)
Corrosion resistance class CRC	2 ¹⁾
Certification	c UL us - Recognised (OL)

- 1) Corrosion resistance class 2 according to Festo standard 940 070
Components requiring moderate corrosion resistance. Externally visible parts with primarily decorative surface requirements which are in direct contact with a normal industrial environment or media such as coolants or lubricating agents.
- 2) There may be slight leakage in the pressure range -0.5 to +0.5 bar.

Solenoid valves MHA2, fast-switching valves

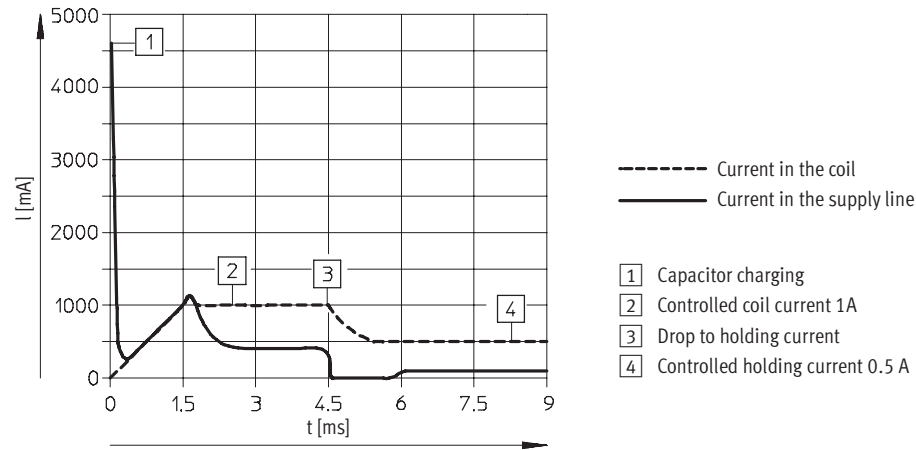
Technical data – Sub-base valve, 5/2-way valve

Electrical data		
Operating voltage	[V DC]	24 ±10%
Type of connection		Plug vanes or moulded-in cable
Power consumption		
Low-current phase	[W]	1.625
High-current phase	[W]	6.5
Protection class to EN 60529		
With moulded-in cable		IP65
With plug socket with cable KMYZ-3		IP65
With plug socket with cable KMYZ-3 and plug M8		IP65
With plug socket with cable KMYZ-4		IP40

Response times and switching frequencies		
Response time on	[ms]	1.9 +10% ... -30%
Response time off	[ms]	1.7 +10% ... -30%
Maximum switching frequency	[Hz]	300 ¹⁾
CE symbol		In accordance with EU EMC Directive

1) The ambient temperature must be limited as from 125 Hz.

Current path

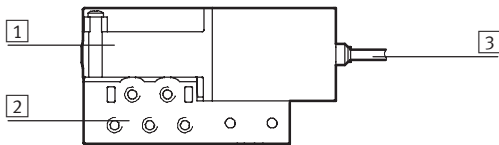


Solenoid valves MHA2, fast-switching valves

Technical data – Sub-base valve, 5/2-way valve



Materials

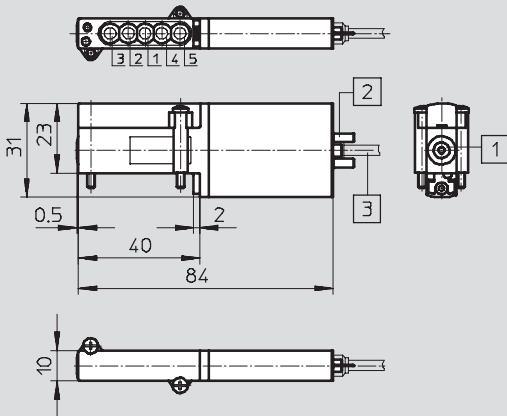


1	Body	Die-cast zinc
2	Sub-base	Die-cast zinc
3	Cable sheath	Polyurethane
-	Seals	Nitrile rubber/ hydrogenated nitrile rubber
Note on materials		Free of copper and PTFE

Dimensions

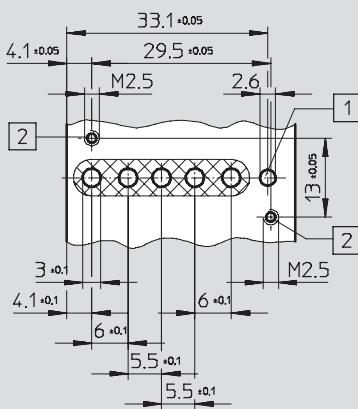
Download CAD data → www.festo.com/en/engineering

Valve with plug vanes or moulded-in cable ...-K




- 1 Manual override, non-detenting
- 2 Plug vanes for plug socket with cable KMYZ-3, KMYZ-4
- 3 Cable 2.5 m

Port pattern on sub-bases



- 1 Hole for coding pin, 1.7 mm deep
- 2 Mounting thread, 4.6 mm deep

 Note
Semi in-line valves do not require ports 2 and 4.

Solenoid valves MHA2, fast-switching valves

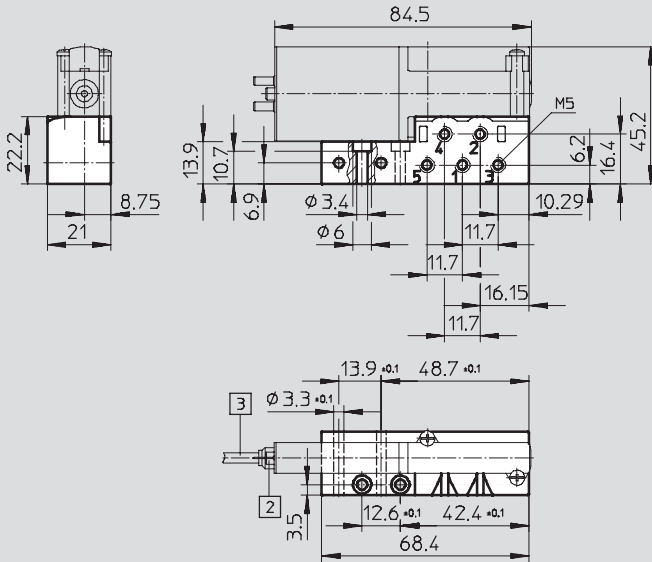
Technical data – Sub-base valve, 5/2-way valve



Dimensions

Download CAD data → www.festo.com/en/engineering

Individual sub-base

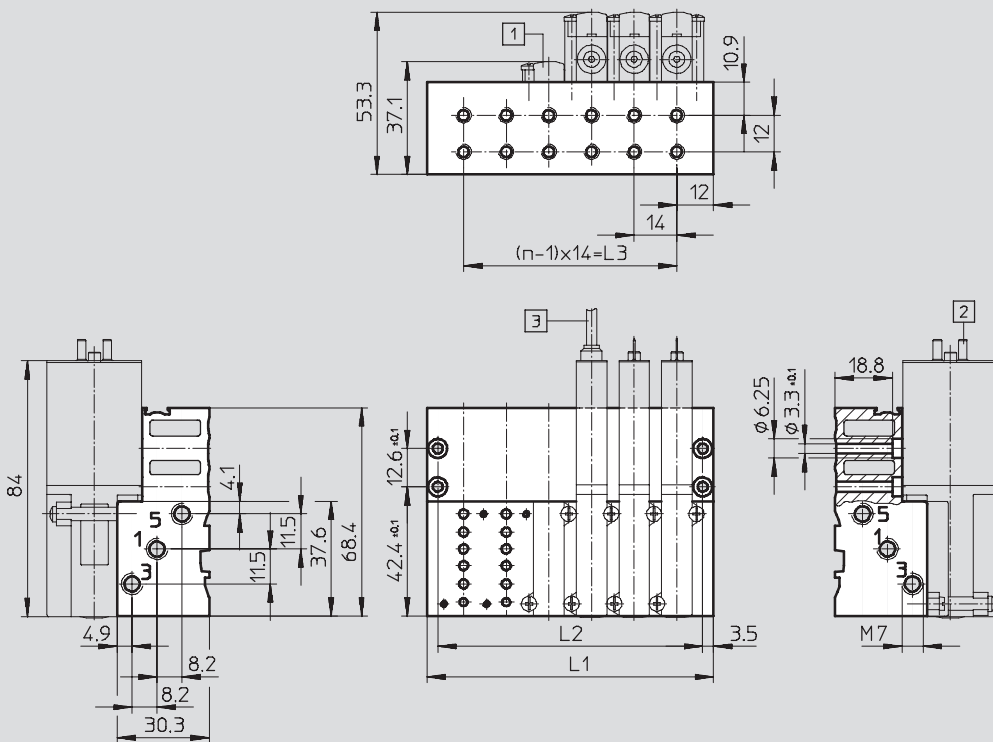


- 2 Plug vanes for plug socket with cable KMYZ-3, KMYZ-4
- 3 Cable 2.5 m

Application-optimised directional control valves
Fast-switching valves

3.2

Manifold mounting



- 1 Blanking plate MHAP2-BP-5
- 2 Plug vanes for plug socket with cable KMYZ-3, KMYZ-4
- 3 Cable 2.5 m

Valve positions n	L1	L2	L3
2	38	31	14
3	52	45	18
4	66	59	42

Valve positions n	L1	L2	L3
5	80	73	56
6	94	87	70
7	108	101	84

Valve positions n	L1	L2	L3
8	122	115	98
9	136	129	112
10	150	143	126

Solenoid valves MHA2, fast-switching valves

Technical data – Sub-base valve, 5/2-way valve

Ordering data – Valves			
Electrical connection	Operating voltage	Normally closed	
		Part No.	Type
Plug vanes	24 V DC	525101	MHA2-MS1H-5/2-2
Cable	24 V DC	525103	MHA2-MS1H-5/2-2-K

Ordering data – Product-specific accessories			
Designation		Part No. Type	
		Individual sub-base	
Manifold for ...	2 valves	525 127	MHA2-PR2-5-M5
	4 valves	525 128	MHA2-PR4-5-M5
	6 valves	525 129	MHA2-PR6-5-M5
	8 valves	525 130	MHA2-PR8-5-M5
	10 valves	525 131	MHA2-PR10-5-M5

Solenoid valves MH2, fast-switching valves

Accessories



Application-optimised directional control valves
Fast-switching valves

3.2

Ordering data			Part No.	Type				Part No.	Type
Plug socket with cable (IP65) with LED and PUR cable					Plug socket with cable (IP40) with PVC cable				
	2.5 m	193 693	KMYZ-3-24DC-2,5-LED-PUR-B		0.5 m	193 690	KMYZ-4-24DC-0,5-B		
	5 m	193 695	KMYZ-3-24DC-5-LED-PUR-B		2.5 m	193 691	KMYZ-4-24DC-2.5-B		
	10 m	196 066	KMYZ-3-24DC-10-LED-PUR-B						
Plug socket with cable (IP65) with LED, PUR cable and M8 plug					Inscription label				
	0.5 m	525 654	KMYZ-3-24-M8-0,5-LED-PUR			197 289	MH-BZ-80X¹⁾		
	2.5 m	525 655	KMYZ-3-24-M8-2.5-LED-PUR						
H-rail mounting (3/2-way valves)					H-rail				
		525 053	MHAP2-BG-NRH-35		2 m	35 430	NRH-35-2000		
H-rail mounting (5/2-way valves)					Blanking plate (3/2-way valves)				
		162 556	CPV10/14-VI-BG-NRH-35		Plug connection	197 470	MHAP-BP-3		
					Plug base	197 471	MHAP-BP-3-PI		
Blanking plug B					Blanking plate (5/2-way valves)				
	M5	3 843	B-M5²⁾			525 132	MHAP-BP-5		
	M7	174 309	B-M7²⁾						
Silencer UC					Push-in fittings QS				
			→ Volume 3				→ Volume 3		

1) Scope of delivery 80 pieces

2) Scope of delivery 10 pieces

Solenoid valves MH3, fast-switching valves

Type codes

FESTO

		MH	P	3	-	M	S	1	H	-	3/2	-	0	-	QS6		K
Valve family																	
MH	Fast-switching valves																
Design																	
E	Individual valve																
P	Semi in-line valve																
A	Sub-base valve																
Size																	
3	Flow rate 200 l/min																
Drive function																	
M	Solenoid, switching																
Response time																	
-	8 ms																
S	3 ms																
Operating voltage																	
1	24 V DC																
Manual override																	
H	Non-detenting																
Valve function																	
3/2	3/2-way valve																
Normal position																	
G	Closed																
O	Open																
Pneumatic connection																	
3	Nominal size 3 mm																
1/8	G1/8 thread																
QS6	Push-in connector for 6 mm O.D. tubing																
Electrical connection																	
-	Plug vanes for plug socket KMYZ-...																
K	Moulded-in cable, 2.5 m long																

Application-optimised directional control valves
Fast-switching valves

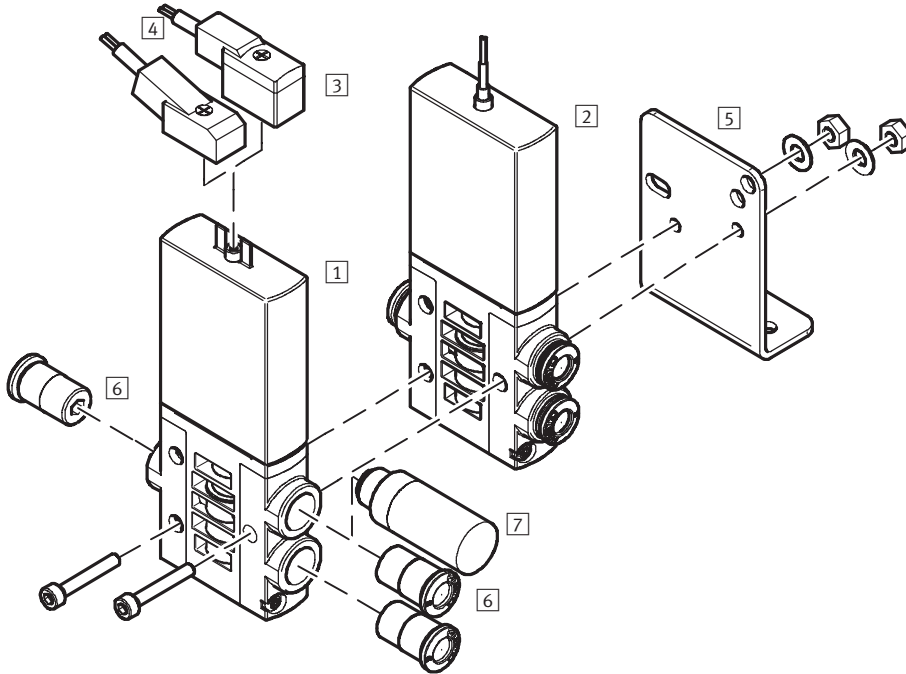
3.2

Solenoid valves MHE3, fast-switching valves

Peripherals overview – Individual valve



Connection with plug vanes – Connection with moulded-in cable



Application-optimised directional control valves
Fast-switching valves

3.2

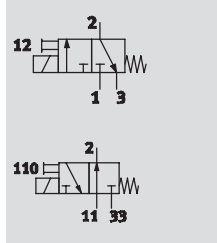
Valves and accessories		Brief description	→ Page
1	Individual valve MHE3-...	With plug vanes	2 / 3.2-47
2	Individual valve MHE3-...-K	With cable	2 / 3.2-47
3	Plug socket with cable KMYZ-4 (IP 40)	With PVC cable	2 / 3.2-64
4	Plug socket with cable KMYZ-3 (IP 65)	With LED, PUR cable, with M8 plug or open end	2 / 3.2-64
5	Mounting bracket MHE2-BG-L	–	2 / 3.2-50
6	Push-in fittings QS	For connecting compressed air tubing with standard O.D.	Volume 3
7	Silencer UC	For fitting in exhaust ports	Volume 3

Solenoid valves MHE3, fast-switching valves

Technical data – Individual valve

FESTO

Function



Voltage
24 V DC



Pressure
-0.9 ... +8 bar



Temperature range
-5 ... +60 °C



General technical data		
Valve function		3/2 way, single solenoid ¹⁾
Design		Pressure-relieved poppet valve
Sealing principle		Soft
Control type		Electric
Actuation type		Direct
Direction of flow		Reversible with restrictions ²⁾
Exhaust function		With flow control
Manual override		Non-detenting
Assembly position		Any
Grid dimension	[mm]	19 (minimum distance 5 mm)
Nominal diameter	[mm]	3
Standard nominal flow rate	[l/min]	200
Type of mounting		Via through-holes
Pneumatic connection		Connecting thread G1/8
		Push-in fitting for tubing O.D. 6 mm
Product weight	[g]	120

1) Can be used as a 2/2 way valve by sealing connection 3 or 33

2) There may be slight leakage in the pressure range -0.5 to +0.5 bar

Operating and environmental conditions		
Operating medium		Filtered compressed air, lubricated or unlubricated, grade of filtration 40 µm
		Vacuum, grade of filtration 40 µm
Operating pressure	[bar]	-0.9 ... +8
Operating pressure, reversible	[bar]	-0.9 ... 0
Ambient temperature	[°C]	-5 ... +60
Temperature of medium	[°C]	-5 ... +60
Corrosion resistance class CRC		2 ¹⁾
Certification		c UL us - Recognised (OL)

1) Corrosion resistance class 2 according to Festo standard 940 070

Components requiring moderate corrosion resistance. Externally visible parts with primarily decorative surface requirements which are in direct contact with a normal industrial environment or media such as coolants or lubricating agents.

Solenoid valves MHE3, fast-switching valves

Technical data – Individual valve



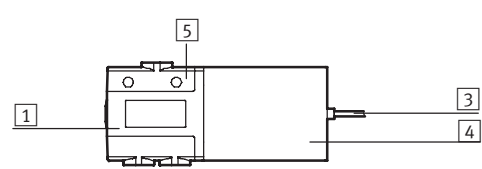
Application-optimised directional control valves
Fast-switching valves
3.2

Electrical data		
Operating voltage	[V DC]	24 ±10%
Type of connection		Plug vanes or moulded-in cable
Power consumption		
With fast-switching electronics	[W]	Pull: 6.5 Hold: 1.6
Without fast-switching electronics	[W]	3.7
Protection class to EN 60529		
With moulded-in cable		IP65
With plug socket with cable KMYZ-3		IP65
With plug socket with cable KMYZ-3 and plug M8		IP65
With plug socket with cable KMYZ-4		IP40

Response times and switching frequencies		
With fast-switching electronics		
Switching time on/off	[ms]	3/2.3 +10% ... -30%
Maximum switching frequency	[Hz]	280 ¹⁾
CE symbol		In accordance with EU EMC Directive
Without fast-switching electronics		
Switching time on/off	[ms]	8/4.5
Maximum switching frequency	[Hz]	130

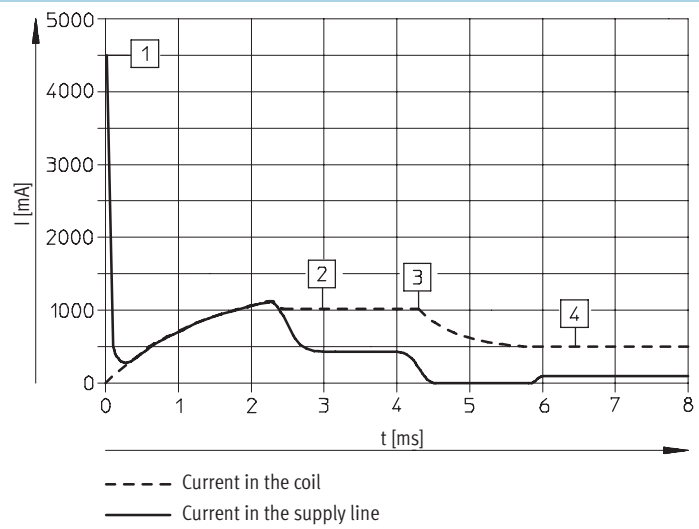
1) The ambient temperature must be limited as from 90 Hz.

Materials



1	Body	Die-cast zinc, coated
3	Cable sheath	Polyurethane
4	Coil housing	Polyamide
5	Connection piece	Polyamide
-	Seals	Nitrile rubber
	Note on materials	Free of copper and PTFE

Current path for valves with fast-switching electronics



- 1 Capacitor charging
- 2 Controlled coil current 1 A
- 3 Drop to holding current
- 4 Controlled holding current 0.5 A

Solenoid valves MHE3, fast-switching valves

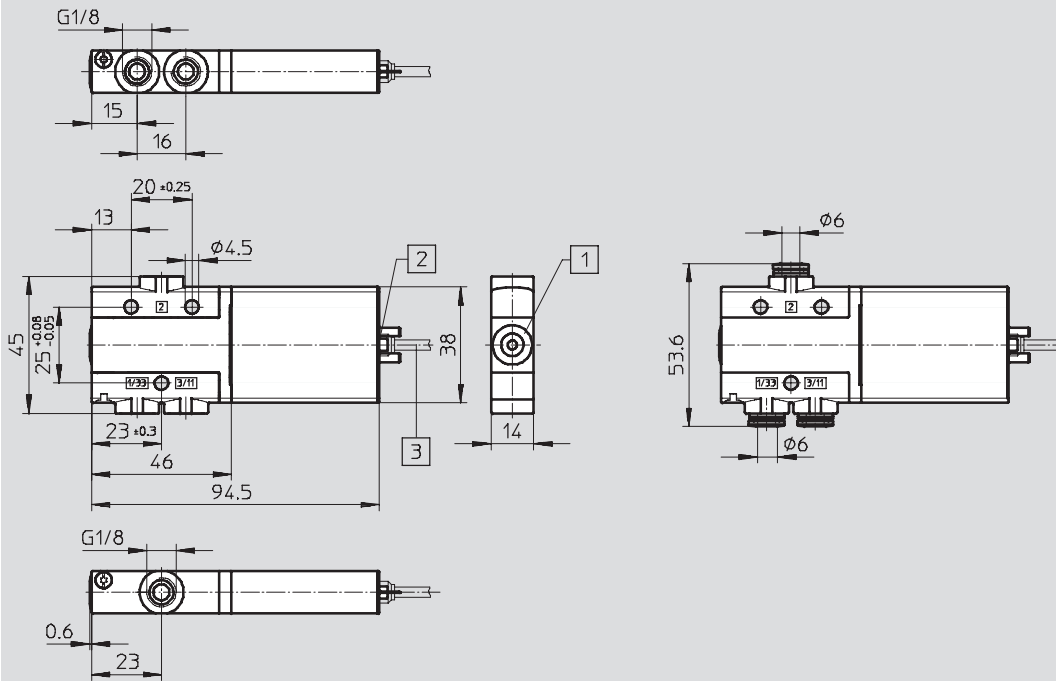
Technical data – Individual valve



Dimensions Download CAD data → www.festo.com/en/engineering

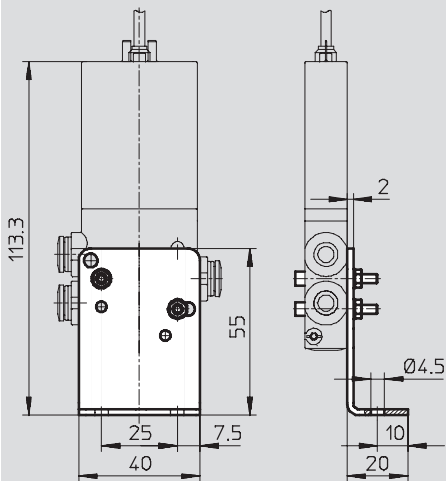
Valve with connecting thread G1/8

Valve with push-in fitting QS 6



- 1 Manual override, non-detenting
- 2 Plug vanes for plug socket with cable KMYZ-3, KMYZ-4
- 3 Cable 2.5 m

Mounting bracket MHE2-BG-L



Application-optimised directional control valves
Fast-switching valves

3.2

Solenoid valves MHE3, fast-switching valves

Technical data – Individual valve



Application-optimised directional control valves
Fast-switching valves

3.2

Ordering data – Valves					
Electrical connection	Operating voltage	Normally closed		Normally open	
		Part No.	Type	Part No.	Type
Response time 3/2.3 ms					
Connecting thread G $\frac{1}{8}$					
Plug vanes	24 V DC	525 147	MHE3-MS1H-3/2G- $\frac{1}{8}$	525 167	MHE3-MS1H-3/2O- $\frac{1}{8}$
Cable	24 V DC	525 149	MHE3-MS1H-3/2G- $\frac{1}{8}$ -K	525 169	MHE3-MS1H-3/2O- $\frac{1}{8}$ -K
Push-in connector QS 6					
Plug vanes	24 V DC	525 151	MHE3-MS1H-3/2G-QS6	525 171	MHE3-MS1H-3/2O-QS6
Cable	24 V DC	525 153	MHE3-MS1H-3/2G-QS6-K	525 173	MHE3-MS1H-3/2O-QS6-K
Response time 8/4.5 ms					
Connecting thread G $\frac{1}{8}$					
Plug vanes	24 V DC	525 146	MHE3-M1H-3/2G- $\frac{1}{8}$	525 166	MHE3-M1H-3/2O- $\frac{1}{8}$
Cable	24 V DC	525 148	MHE3-M1H-3/2G- $\frac{1}{8}$ -K	525 168	MHE3-M1H-3/2O- $\frac{1}{8}$ -K
Push-in connector QS 6					
Plug vanes	24 V DC	525 150	MHE3-M1H-3/2G-QS6	525 170	MHE3-M1H-3/2O-QS6
Cable	24 V DC	525 152	MHE3-M1H-3/2G-QS6-K	525 172	MHE3-M1H-3/2O-QS6-K

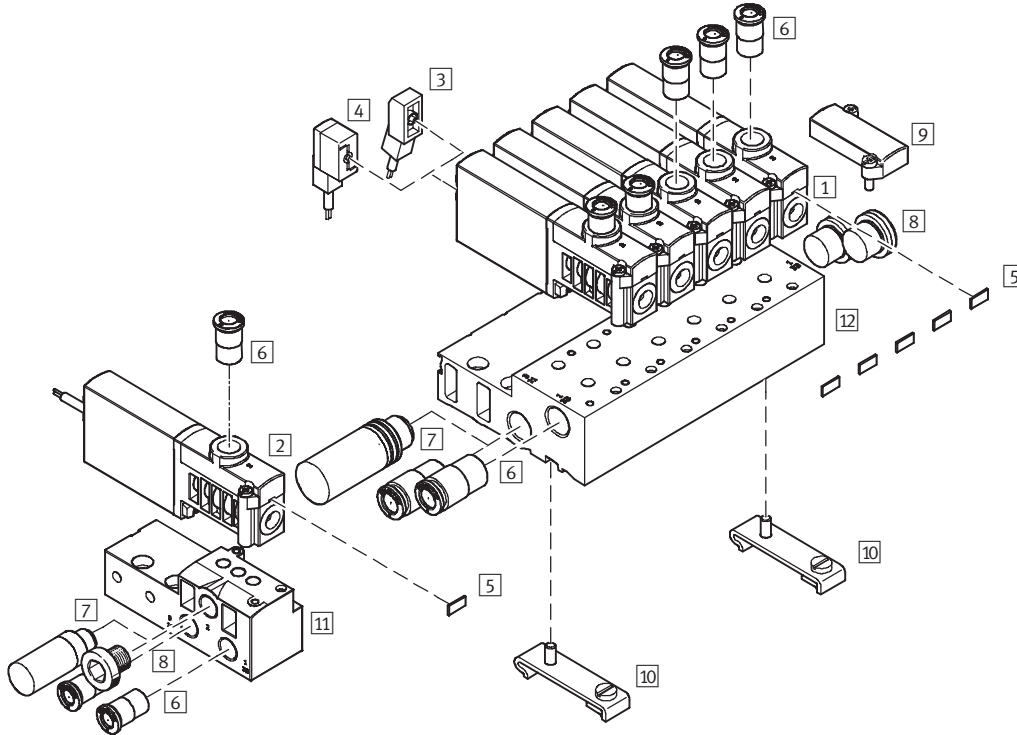
Ordering data – Product-specific accessories				
Designation	Weight [g]	CRC	Part No.	Type
Mounting bracket	55	2 ¹⁾	196 165	MHE2-BG-L

1) Corrosion resistance class 2 according to Festo standard 940 070
Components requiring moderate corrosion resistance. Externally visible parts with primarily decorative surface requirements which are in direct contact with a normal industrial environment or media such as coolants or lubricating agents.

Solenoid valves MHP3, fast-switching valves

Peripherals overview – Semi in-line valve

Connection with plug vanes – Connection with moulded-in cable



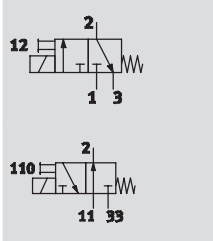
Valves and accessories		
	Brief description	→ Page
1	Semi in-line valve MHP3-...	With plug vanes 2 / 3.2-52
2	Semi in-line valve MHP3-...-K	With cable 2 / 3.2-52
3	Plug socket with cable KMYZ-4 (IP 40)	With PVC cable 2 / 3.2-64
4	Plug socket with cable KMYZ-3 (IP 65)	With LED, PUR cable, with M8 plug or open end 2 / 3.2-64
5	Inscription label MH-BZ-80X	For identifying the valves 2 / 3.2-64
6	Push-in fittings QS	For connecting compressed air tubing with standard O.D. Volume 3
7	Silencer UC	For fitting in exhaust ports Volume 3
8	Blanking plug B	For sealing unused ports 2 / 3.2-64
9	Blanking plate MHAP3-BP-3	For sealing vacant positions 2 / 3.2-64
10	H-rail mounting CPV10/14-VI-BG-NRH-35	– 2 / 3.2-64
11	Individual sub-base MHA3-AS-3-1/8	For semi in-line valve; the individual sub-base is also used for the sub-base valve, the output port must in this case be sealed with a blanking plug 2 / 3.2-55
12	Manifold block MHP3-PR...-3	For semi in-line valve 2 / 3.2-55




Solenoid valves MHP3, fast-switching valves

Technical data – Semi in-line valve



Function



-  - Voltage
24 V DC
-  - Pressure
-0.9 ... +8 bar
-  - Temperature range
-5 ... +40 °C



General technical data		
Valve function		3/2 way, single solenoid ¹⁾
Design		Pressure-relieved poppet valve
Sealing principle		Soft
Control type		Electric
Actuation type		Direct
Direction of flow		Reversible with restrictions ²⁾
Exhaust function		With flow control
Manual override		Non-detenting
Assembly position		Any
Grid dimension	[mm]	19
Nominal diameter	[mm]	3
Standard nominal flow rate	[l/min]	200
Type of mounting		On sub-base or manifold, via through-hole
Pneumatic connection		Connecting thread G1/8
		Push-in fitting for tubing O.D. 6 mm
Product weight	[g]	120

- 1) Can be used as a 2/2 way valve by sealing connection 3 or 33
 2) There may be slight leakage in the pressure range -0.5 to +0.5 bar

Operating and environmental conditions		
Operating medium		Filtered compressed air, lubricated or unlubricated, grade of filtration 40 µm
		Vacuum, grade of filtration 40 µm
Operating pressure	[bar]	-0.9 ... +8
Operating pressure, reversible	[bar]	-0.9 ... 0
Ambient temperature	[°C]	-5 ... +40
Temperature of medium	[°C]	-5 ... +40
Corrosion resistance class CRC		2 ¹⁾
Certification		c UL us - Recognised (OL)

- 1) Corrosion resistance class 2 according to Festo standard 940 070
 Components requiring moderate corrosion resistance. Externally visible parts with primarily decorative surface requirements which are in direct contact with a normal industrial environment or media such as coolants or lubricating agents.

Solenoid valves MHP3, fast-switching valves

Technical data – Semi in-line valve

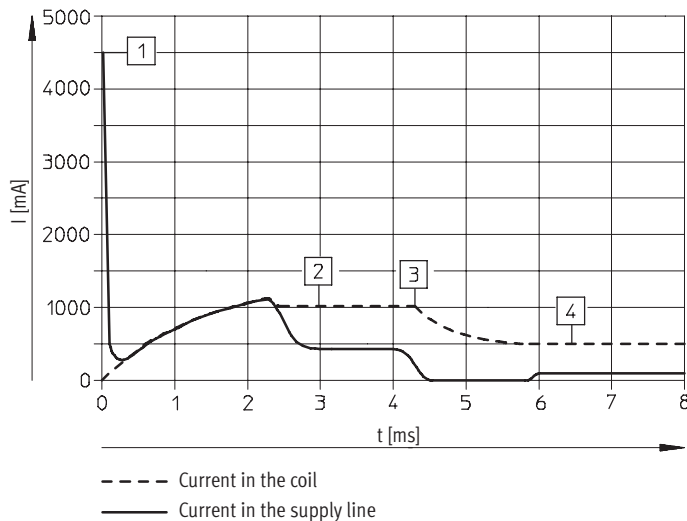


Electrical data		
Operating voltage	[V DC]	24 ±10%
Type of connection		Plug vanes or moulded-in cable
Power consumption		
With fast-switching electronics	[W]	Pull: 6.5 Hold: 1.6
Without fast-switching electronics	[W]	3.7
Protection class to EN 60529		
With moulded-in cable		IP65
With plug socket with cable KMYZ-3		IP65
With plug socket with cable KMYZ-3 and plug M8		IP65
With plug socket with cable KMYZ-4		IP40

Response times and switching frequencies		
With fast-switching electronics		
Switching time on/off	[ms]	3/2.3 +10% ... -30%
Maximum switching frequency	[Hz]	280 ¹⁾
CE symbol		In accordance with EU EMC Directive
Without fast-switching electronics		
Switching time on/off	[ms]	8/4.5
Maximum switching frequency	[Hz]	130

1) The ambient temperature must be limited as from 100 Hz.

Current path for valves with fast-switching electronics



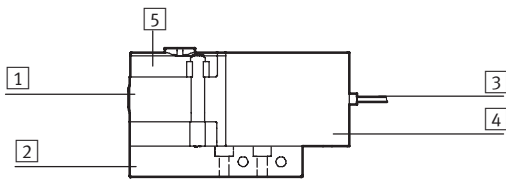
- 1 Capacitor charging
- 2 Controlled coil current 1 A
- 3 Drop to holding current
- 4 Controlled holding current 0.5 A

Solenoid valves MHP3, fast-switching valves

Technical data – Semi in-line valve

Application-optimised directional control valves
Fast-switching valves

Materials



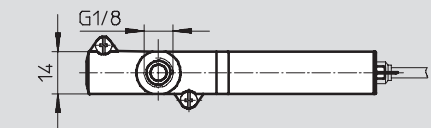
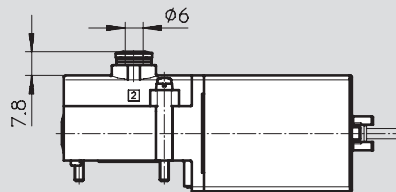
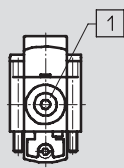
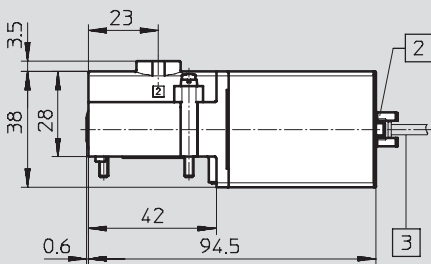
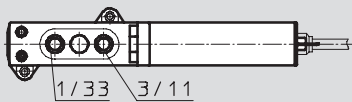
1	Body	Die-cast zinc, coated
2	Sub-base	Manifold block: Aluminium Individual sub-base: Die-cast zinc
3	Cable sheath	Polyurethane
4	Coil housing	Polyamide
5	Connection piece	Polyamide
-	Seals	Nitrile rubber
	Note on materials	Free of copper and PTFE

Dimensions

Download CAD data → www.festo.com/en/engineering

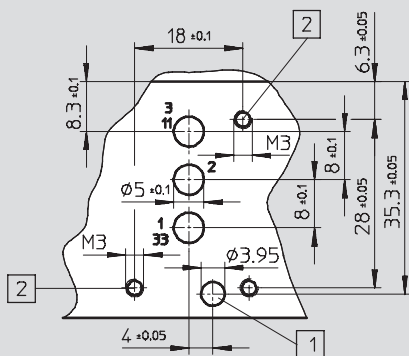
Valve with connecting thread G1/8

Valve with push-in fitting QS 6



- 1 Manual override, non-detenting
- 2 Plug vanes for plug socket with cable KMYZ-3, KMYZ-4
- 3 Cable 2.5 m

Port pattern on sub-bases



- - Note

Semi in-line valves do not require port 2.
If used as a 2/2-way valve, normally closed, port 3/11 is not required.
If used as a 2/2-way valve, normally open, port 1/33 is not required.

- 1 Hole for coding pin, 2 mm deep
- 2 Mounting thread, 8 mm deep

Solenoid valves MHP3, fast-switching valves

Technical data – Semi in-line valve



Dimensions Download CAD data → www.festo.com/en/engineering

Individual sub-base

1 Plug vanes for plug socket with cable KMYZ-3, KMYZ-4
 2 Silencer UC-1/4
 3 Push-in fitting

Manifold mounting

1 Plug vanes for plug socket with cable KMYZ-3, KMYZ-4 or moulded-in cable
 2 Silencer UC-1/4
 3 Push-in fitting
 4 Blanking plate MHAP-BP-3

Valve positions n	L1	L2	L3
2	53	41	19
4	91	79	57
6	129	117	95

Valve positions n	L1	L2	L3
8	167	155	133
10	205	193	171

Application-optimised directional control valves
Fast-switching valves

3.2

Solenoid valves MHP3, fast-switching valves

Technical data – Semi in-line valve

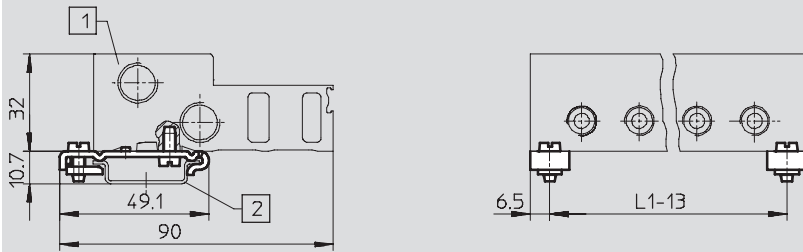


Application-optimised directional control valves
Fast-switching valves

Dimensions

Download CAD data → www.festo.com/en/engineering

H-rail mounting CPV10/14-VI-BG-NRH-35



- 1 Manifold block
- 2 Mounting rail NRH-35

Type	Valve positions n	L1
MHAP3-PR2-3	2	53
MHAP3-PR4-3	4	91
MHAP3-PR6-3	6	129

Type	Valve positions n	L1
MHAP3-PR8-3	8	167
MHAP3-PR10-3	10	205

Ordering data – Valves

Electrical connection	Operating voltage	Normally closed		Normally open	
		Part No.	Type	Part No.	Type
Response time 3/2.3 ms					
Connecting thread G $\frac{1}{8}$					
Plug vanes	24 V DC	525 139	MHP3-MS1H-3/2G- $\frac{1}{8}$	525 159	MHP3-MS1H-3/20- $\frac{1}{8}$
Cable	24 V DC	525 141	MHP3-MS1H-3/2G- $\frac{1}{8}$ -K	525 161	MHP3-MS1H-3/20- $\frac{1}{8}$ -K
Push-in connector QS 6					
Plug vanes	24 V DC	525 143	MHP3-MS1H-3/2G-QS6	525 163	MHP3-MS1H-3/20-QS6
Cable	24 V DC	525 145	MHP3-MS1H-3/2G-QS6-K	525 165	MHP3-MS1H-3/20-QS6-K
Response time 8/4.5 ms					
Connecting thread G $\frac{1}{8}$					
Plug vanes	24 V DC	525 138	MHP3-M1H-3/2G- $\frac{1}{8}$	525 158	MHP3-M1H-3/20- $\frac{1}{8}$
Cable	24 V DC	525 140	MHP3-M1H-3/2G- $\frac{1}{8}$ -K	525 160	MHP3-M1H-3/20- $\frac{1}{8}$ -K
Push-in connector QS 6					
Plug vanes	24 V DC	525 142	MHP3-M1H-3/2G-QS6	525 162	MHP3-M1H-3/20-QS6
Cable	24 V DC	525 144	MHP3-M1H-3/2G-QS6-K	525 164	MHP3-M1H-3/20-QS6-K

Note
Type 3/2G and type 3/20 valves must not be mixed on a manifold block.

Solenoid valves MHP3, fast-switching valves



Technical data – Semi in-line valve

Ordering data – Product-specific accessories			
Designation		Part No.	Type
Individual sub-base			
For semi in-line valve		525 214	MHA3-AS-3-1/8
Manifold block			
For semi in-line valve	2 valves	525 216	MHP3-PR2-1/8
	4 valves	525 217	MHP3-PR4-1/8
	6 valves	525 218	MHP3-PR6-1/8
	8 valves	525 219	MHP3-PR8-1/8
	10 valves	525 220	MHP3-PR10-1/8

Application-optimised directional control valves
Fast-switching valves

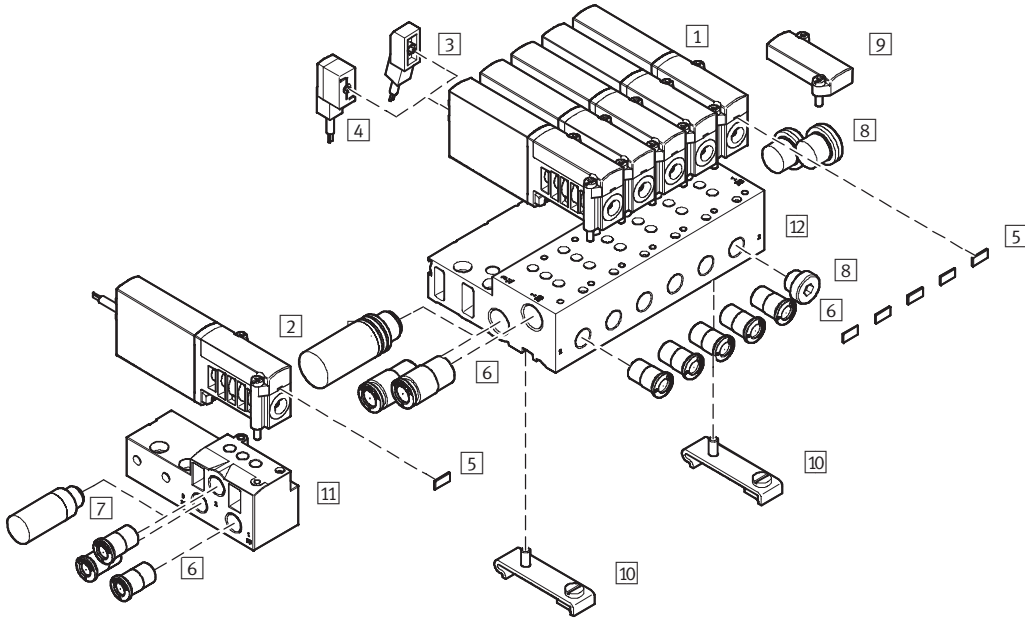
3.2

Solenoid valves MHA3, fast-switching valves

Peripherals overview – Sub-base valve



Connection with plug vanes – Connection with moulded-in cable



Application-optimised directional control valves
Fast-switching valves

3.2

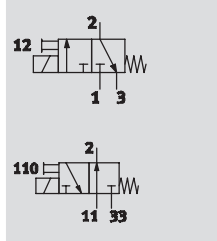
Valves and accessories		
	Brief description	→ Page
1	Sub-base valve MHA3-...	With plug vanes 2 / 3.2-59
2	Sub-base valve MHA3-...-K	With cable 2 / 3.2-59
3	Plug socket with cable KMYZ-4 (IP 40)	With PVC cable 2 / 3.2-64
4	Plug socket with cable KMYZ-3 (IP 65)	With LED, PUR cable, with M8 plug or open end 2 / 3.2-64
5	Inscription label MH-BZ-80X	For identifying the valves 2 / 3.2-64
6	Push-in fittings QS	For connecting compressed air tubing with standard O.D. Volume 3
7	Silencer UC	For fitting in exhaust ports Volume 3
8	Blanking plug B	For sealing unused ports 2 / 3.2-64
9	Blanking plate MHAP3-BP-3	For sealing vacant positions 2 / 3.2-64
10	H-rail mounting CPV10/14-VI-BG-NRH-35	– 2 / 3.2-64
11	Individual sub-base MHA3-AS-3-1/8	For sub-base valve 2 / 3.2-62
12	Manifold block MHA3-PR...-3-1/8	For sub-base valve 2 / 3.2-62

Solenoid valves MHA3, fast-switching valves

Technical data – Sub-base valve



Function



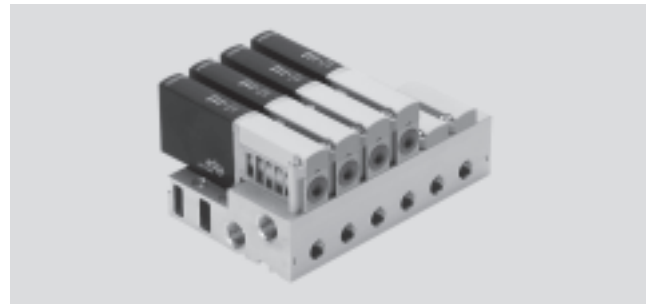
Voltage
24 V DC



Pressure
-0.9 ... +8 bar



Temperature range
-5 ... +40 °C



General technical data

Valve function	3/2 way, single solenoid ¹⁾
Design	Pressure-relieved poppet valve
Sealing principle	Soft
Control type	Electric
Actuation type	Direct
Direction of flow	Reversible with restrictions ²⁾
Exhaust function	With flow control
Manual override	Non-detenting
Assembly position	Any
Grid dimension	[mm] 19
Nominal diameter	[mm] 3
Standard nominal flow rate	[l/min] 200
Type of mounting	On sub-base or manifold, via through-hole
Pneumatic connection	Connecting thread G1/8
Product weight	[g] 120

1) Can be used as a 2/2 way valve by sealing connection 3 or 33

2) There may be slight leakage in the pressure range -0.5 to +0.5 bar

Operating and environmental conditions

Operating medium	Filtered compressed air, lubricated or unlubricated, grade of filtration 40 µm
	Vacuum, grade of filtration 40 µm
Operating pressure	[bar] -0.9 ... +8
Operating pressure, reversible	[bar] -0.9 ... 0
Ambient temperature	[°C] -5 ... +40
Temperature of medium	[°C] -5 ... +40
Corrosion resistance class CRC	2 ¹⁾
Certification	c UL us - Recognised (OL)

1) Corrosion resistance class 2 according to Festo standard 940 070

Components requiring moderate corrosion resistance. Externally visible parts with primarily decorative surface requirements which are in direct contact with a normal industrial environment or media such as coolants or lubricating agents.

Solenoid valves MHA3, fast-switching valves

Technical data – Sub-base valve



Application-optimised directional control valves
Fast-switching valves

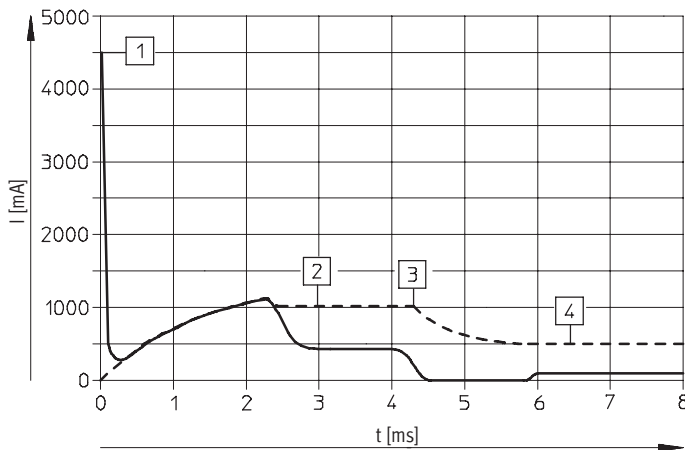
3.2

Electrical data		
Operating voltage	[V DC]	24 ±10%
Type of connection		Plug vanes or moulded-in cable
Power consumption		
With fast-switching electronics	[W]	Pull: 6.5 Hold: 1.6
Without fast-switching electronics	[W]	3.7
Protection class to EN 60529		
With moulded-in cable		IP65
With plug socket with cable KMYZ-3		IP65
With plug socket with cable KMYZ-3 and plug M8		IP65
With plug socket with cable KMYZ-4		IP40

Response times and switching frequencies		
With fast-switching electronics		
Switching time on/off	[ms]	3/2.3 +10% ... -30%
Maximum switching frequency	[Hz]	280 ¹⁾
CE symbol		In accordance with EU EMC Directive
Without fast-switching electronics		
Switching time on/off	[ms]	8/4.5
Maximum switching frequency	[Hz]	130

1) The ambient temperature must be limited as from 100 Hz.

Current path for valves with fast-switching electronics



--- Current in the coil
— Current in the supply line

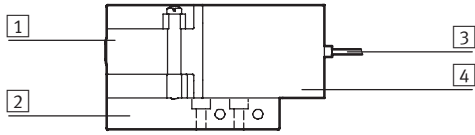
- 1) Capacitor charging
- 2) Controlled coil current 1 A
- 3) Drop to holding current
- 4) Controlled holding current 0.5 A

Solenoid valves MHA3, fast-switching valves

Technical data – Sub-base valve



Materials

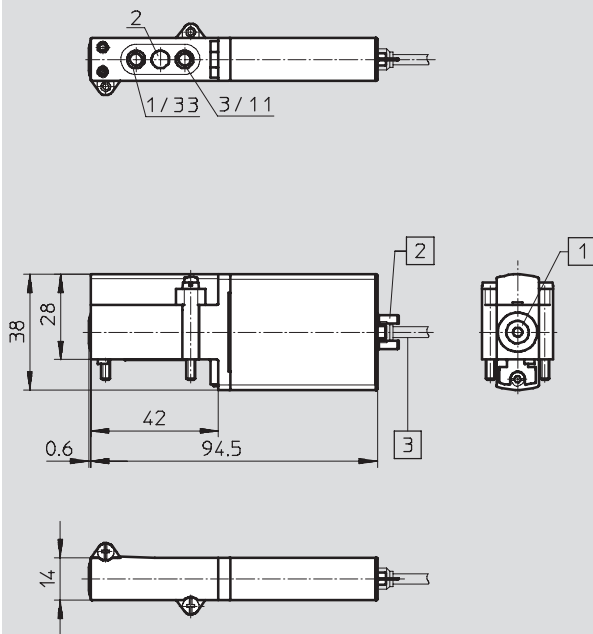


1	Body	Die-cast zinc, coated
2	Sub-base	Manifold block: Aluminium Individual sub-base: Die-cast zinc
3	Cable sheath	Polyurethane
4	Coil housing	Polyamide
-	Seals	Nitrile rubber/ hydrogenated nitrile rubber
Note on materials		Free of copper and PTFE

Dimensions

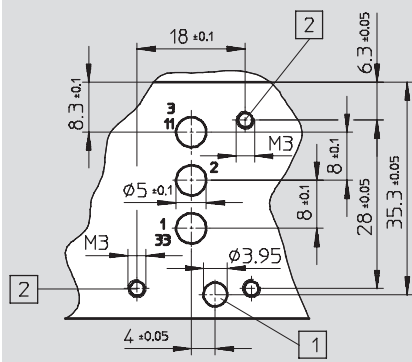
Download CAD data → www.festo.com/en/engineering

Valve



- 1 Manual override, non-detenting
- 2 Plug vanes for plug socket with cable KMYZ-3, KMYZ-4
- 3 Cable 2.5 m

Port pattern on sub-bases



Note

Semi in-line valves do not require port 2.
If used as a 2/2-way valve, normally closed, port 3/11 is not required.
If used as a 2/2-way valve, normally open, port 1/33 is not required.

- 1 Hole for coding pin, 2 mm deep
- 2 Mounting thread, 8 mm deep

Solenoid valves MHA3, fast-switching valves

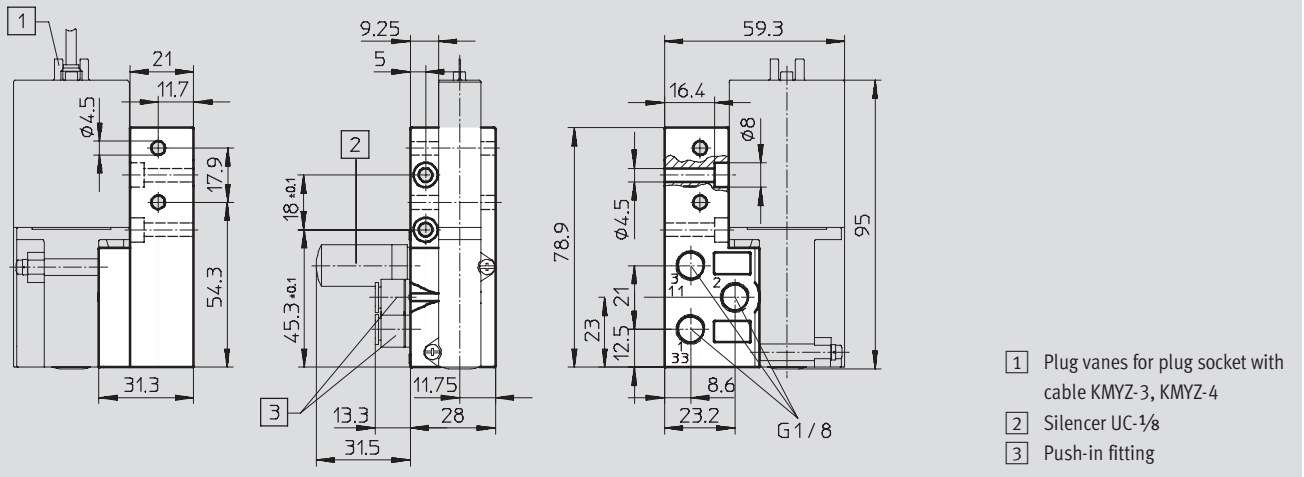
Technical data – Sub-base valve



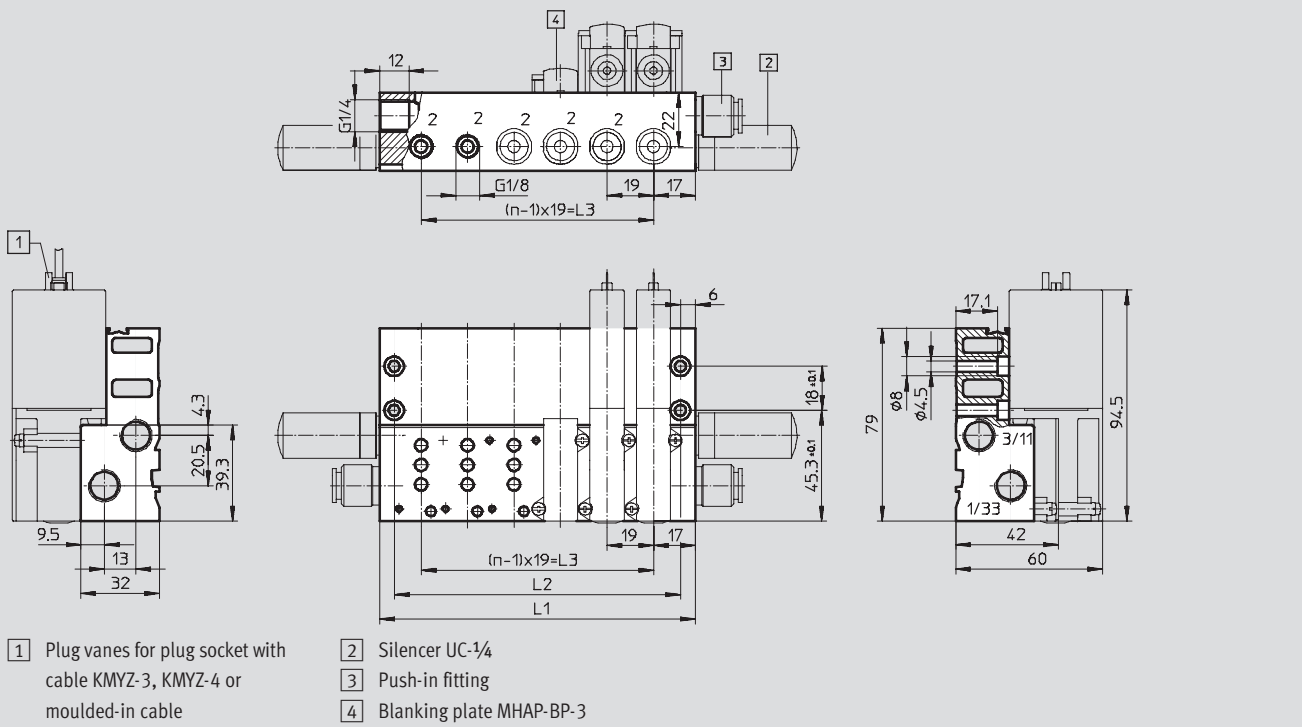
Application-optimised directional control valves
Fast-switching valves

Dimensions Download CAD data → www.festo.com/en/engineering

Individual sub-base



Manifold mounting



Valve positions n	L1	L2	L3
2	53	41	19
4	91	79	57
6	129	117	95

Valve positions n	L1	L2	L3
8	167	155	133
10	205	193	171

Solenoid valves MHA3, fast-switching valves

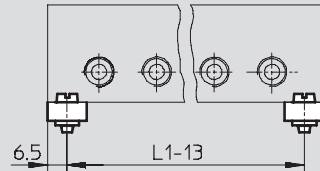
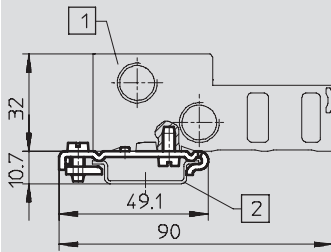
Technical data – Sub-base valve

FESTO

Dimensions

Download CAD data → www.festo.com/en/engineering

H-rail mounting CPV10/14-VI-BG-NRH-35



- 1 Manifold block
- 2 Mounting rail NRH-35

Type	Valve positions n	L1
MHAP3-PR2-3	2	53
MHAP3-PR4-3	4	91
MHAP3-PR6-3	6	129

Type	Valve positions n	L1
MHAP3-PR8-3	8	167
MHAP3-PR10-3	10	205

Ordering data – Valves

Electrical connection	Operating voltage	Normally closed		Normally open	
		Part No.	Type	Part No.	Type
Response time 3/2.3 ms					
Plug vanes	24 V DC	525 135	MHA3-MS1H-3/2G-3	525 155	MHA3-MS1H-3/2O-3
Cable	24 V DC	525 137	MHA3-MS1H-3/2G-3-K	525 157	MHA3-MS1H-3/2O-3-K
Response time 8/4.5 ms					
Plug vanes	24 V DC	525 134	MHA3-M1H-3/2G-3	525 154	MHA3-M1H-3/2O-3
Cable	24 V DC	525 136	MHA3-M1H-3/2G-3-K	525 156	MHA3-M1H-3/2O-3-K

- Note

Type 3/2G and type 3/2O valves must not be mixed on a manifold block.

Ordering data – Product-specific accessories

Designation	Part No.	Type
Individual sub-base		
For sub-base valve	525 214	MHA3-AS-3-1/8
Manifold block		
For sub-base valve	2 valves	525 221 MHA3-PR2-1/8
	4 valves	525 222 MHA3-PR4-1/8
	6 valves	525 223 MHA3-PR6-1/8
	8 valves	525 224 MHA3-PR8-1/8
	10 valves	525 225 MHA3-PR10-1/8

Application-optimised directional control valves
Fast-switching valves

3.2

Solenoid valves MH3, fast-switching valves

Accessories



Application-optimised directional control valves
Fast-switching valves

3.2

Ordering data				Ordering data			
		Part No.	Type			Part No.	Type
Plug socket with cable (IP65) with LED and PUR cable				Plug socket with cable (IP40) with PVC cable			
	2.5 m	193 693	KMYZ-3-24-2,5-LED-PUR-B		0.5 m	193 690	KMYZ-4-24-0,5-B
	5 m	193 695	KMYZ-3-24-5-LED-PUR-B		2.5 m	193 691	KMYZ-4-24-2.5-B
	10 m	196 066	KMYZ-3-24-10-LED-PUR-B				
Plug socket with cable (IP65) with LED, PUR cable and M8 plug				Inscription label			
	0.5 m	525 654	KMYZ-3-24-M8-0,5-LED-PUR		197 259 MH-BZ-80X ¹⁾		
	2.5 m	525 655	KMYZ-3-24-M8-2.5-LED-PUR				
H-rail mounting				H-rail			
			162 556 CPV10/14-VI-BG-NRH-35		2 m	35 430	NRH-35-2000
Blanking plug B				Blanking plate			
	G ¹ / ₈	3 569	B- ¹ / ₈ ²⁾		525 226 MHAP3-BP-3		
	G ¹ / ₄	3 568	B- ¹ / ₄ ²⁾				
Silencer UC				Push-in fittings QS			
			→ Volume 3				→ Volume 3

1) Scope of delivery 80 pieces

2) Scope of delivery 10 pieces

Solenoid valves MH4, fast-switching valves

Type codes

MH P 4 - M S 1 H - 3/2 - 0 - QS8

Valve family

MH	Miniature and fast-switching valves
----	-------------------------------------

Design

E	Individual valve
P	Semi in-line valve
A	Sub-base valve

Size

4	Flow rate 400 l/min
---	---------------------

Drive function

M	Solenoid, switching
---	---------------------

Response time

-	9 ms
S	3.5 ms

Operating voltage

1	24 V DC
---	---------

Manual override

H	Non-detenting
---	---------------

Valve function

3/2	3/2-way valve
-----	---------------

Normal position

G	Closed
O	Open

Pneumatic connection

4	Nominal size 4 mm
1/4	G1/4 thread
QS8	Push-in connector for 8 mm O.D. tubing

Electrical connection

-	Plug vanes for plug socket KMEB-...
K	Moulded-in cable, 2.5 m long

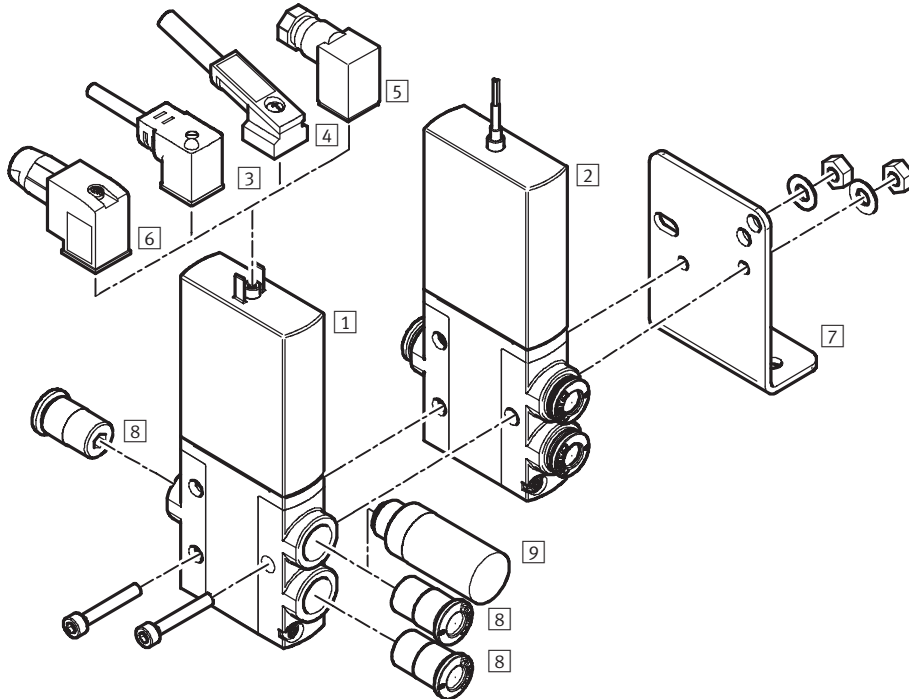
Application-optimised directional control valves
Fast-switching valves
3.2

Solenoid valves MHE4, fast-switching valves

Peripherals overview – Individual valve



Connection with plug vanes – Connection with moulded-in cable



Application-optimised directional control valves
Fast-switching valves

3.2

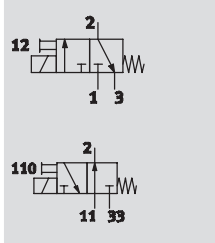
Valves and accessories			
	Brief description	→ Page	
1	Individual valve MHE4-...	With plug vanes	2 / 3.2-67
2	Individual valve MHE4-...-K	With cable	2 / 3.2-67
3	Plug socket with cable KMEB-1 (IP65)	PVC cable, with or without LED	2 / 3.2-84
4	Plug socket with cable KMEB-2 (IP65)	With LED, without LED; PUR cable, with or without LED	2 / 3.2-84
5	Plug socket MSSD-EB (IP65)	With clamping screw	2 / 3.2-84
6	Plug socket MSSD-EB-S-M14 (IP65)	With insulation displacement connector	2 / 3.2-84
7	Mounting bracket MHE2-BG-L	–	2 / 3.2-70
8	Push-in fittings QS	For connecting compressed air tubing with standard O.D.	Volume 3
9	Silencer UC	For fitting in exhaust ports	Volume 3

Solenoid valves MHE4, fast-switching valves

Technical data – Individual valve

FESTO

Function



Voltage
24 V DC



Pressure
-0.9 ... +8 bar



Temperature range
-5 ... +60 °C



General technical data		
Valve function		3/2 way, single solenoid ¹⁾
Design		Pressure-relieved poppet valve
Sealing principle		Soft
Control type		Electric
Actuation type		Direct
Direction of flow		Reversible with restrictions ²⁾
Exhaust function		With flow control
Manual override		Non-detenting
Assembly position		Any
Grid dimension	[mm]	24
Nominal diameter	[mm]	4
Standard nominal flow rate	[l/min]	400
Type of mounting		Via through-holes
Pneumatic connection		Connecting thread G1/8
		Push-in fitting for tubing O.D. 8 mm
Product weight	[g]	270

1) Can be used as a 2/2 way valve by sealing connection 3 or 33

2) There may be slight leakage in the pressure range -0.5 to +0.5 bar

Operating and environmental conditions		
Operating medium		Filtered compressed air, lubricated or unlubricated, grade of filtration 40 µm
		Vacuum, grade of filtration 40 µm
Operating pressure	[bar]	-0.9 ... +8
Operating pressure, reversible	[bar]	-0.9 ... 0
Ambient temperature	[°C]	-5 ... +60
Temperature of medium	[°C]	-5 ... +60
Corrosion resistance class CRC		2 ¹⁾
Certification		c UL us - Recognised (OL)

1) Corrosion resistance class 2 according to Festo standard 940 070

Components requiring moderate corrosion resistance. Externally visible parts with primarily decorative surface requirements which are in direct contact with a normal industrial environment or media such as coolants or lubricating agents.

Solenoid valves MHE4, fast-switching valves

Technical data – Individual valve



Application-optimised directional control valves
Fast-switching valves

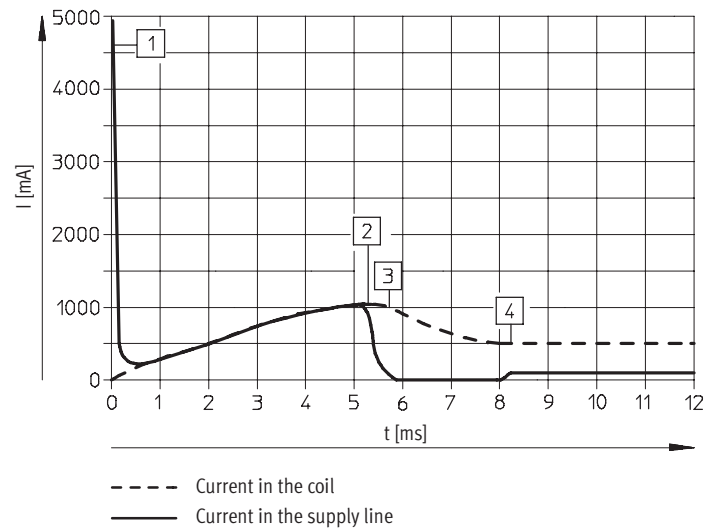
3.2

Electrical data		
Operating voltage	[V DC]	24 ±10%
Type of connection		Plug vanes or moulded-in cable
Power consumption		
With fast-switching electronics	[W]	Pull: 8.5 Hold: 2.125
Without fast-switching electronics	[W]	5,6
Protection class to EN 60529		
With moulded-in cable		IP65
With plug socket with cable KMEB		IP65

Response times and switching frequencies		
With fast-switching electronics		
Switching time on/off	[ms]	3.5/3.5 +10% ... -30%
Maximum switching frequency	[Hz]	210 ¹⁾
CE symbol		In accordance with EU EMC Directive
Without fast-switching electronics		
Switching time on/off	[ms]	9/5
Maximum switching frequency	[Hz]	120

1) The ambient temperature must be limited as from 90 Hz.

Current path for valves with fast-switching electronics



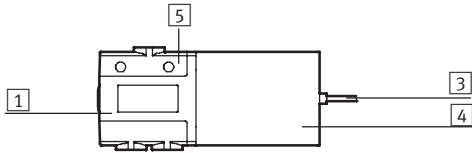
- 1 Capacitor charging
- 2 Controlled coil current 1 A
- 3 Drop to holding current
- 4 Controlled holding current 0.5 A

Solenoid valves MHE4, fast-switching valves

Technical data – Individual valve



Materials



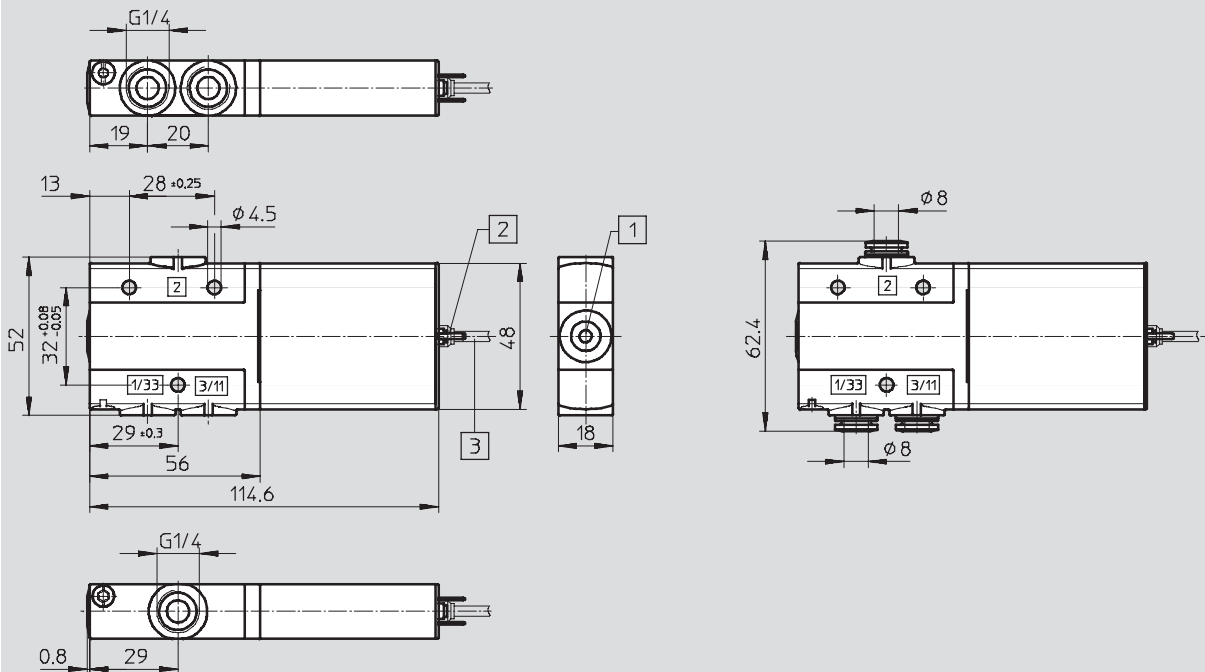
1	Body	Die-cast zinc, coated
3	Cable sheath	Polyurethane
4	Coil housing	Polyamide
5	Connection piece	Polyamide
-	Seals	Nitrile rubber
Note on materials		Free of copper and PTFE

Dimensions

Download CAD data → www.festo.com/en/engineering

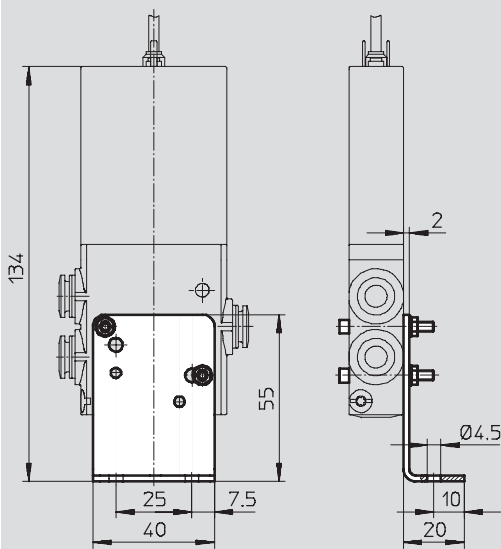
Valve with connecting thread G1/4

Valve with push-in fitting QS 8



- 1 Manual override, non-detenting
- 2 Plug vanes for plug socket with cable KMEB
- 3 Cable 2.5 m

Mounting bracket MHE2-BG-L



Solenoid valves MHE4, fast-switching valves



Technical data – Individual valve

Application-optimised directional control valves
Fast-switching valves

3.2

Ordering data – Valves					
Electrical connection	Operating voltage	Normally closed		Normally open	
		Part No.	Type	Part No.	Type
Response time 3.5/3.5 ms					
Connecting thread G $\frac{1}{4}$					
Plug vanes	24 V DC	525 187	MHE4-MS1H-3/2G- $\frac{1}{4}$	525 207	MHE4-MS1H-3/2O- $\frac{1}{4}$
Cable	24 V DC	525 189	MHE4-MS1H-3/2G- $\frac{1}{4}$ -K	525 209	MHE4-MS1H-3/2O- $\frac{1}{4}$ -K
Push-in connector QS 8					
Plug vanes	24 V DC	525 191	MHE4-MS1H-3/2G-QS8	525 211	MHE4-MS1H-3/2O-QS8
Cable	24 V DC	525 193	MHE4-MS1H-3/2G-QS8-K	525 213	MHE4-MS1H-3/2O-QS8-K
Response time 9/5 ms					
Connecting thread G $\frac{1}{4}$					
Plug vanes	24 V DC	525 186	MHE4-M1H-3/2G- $\frac{1}{4}$	525 206	MHE4-M1H-3/2O- $\frac{1}{4}$
Cable	24 V DC	525 188	MHE4-M1H-3/2G- $\frac{1}{4}$ -K	525 208	MHE4-M1H-3/2O- $\frac{1}{4}$ -K
Push-in connector QS 8					
Plug vanes	24 V DC	525 190	MHE4-M1H-3/2G-QS8	525 210	MHE4-M1H-3/2O-QS8
Cable	24 V DC	525 192	MHE4-M1H-3/2G-QS8-K	525 212	MHE4-M1H-3/2O-QS8-K

Ordering data – Product-specific accessories				
Designation	Weight [g]	CRC	Part No.	Type
Mounting bracket	55	2 ¹⁾	196 165	MHE2-BG-L

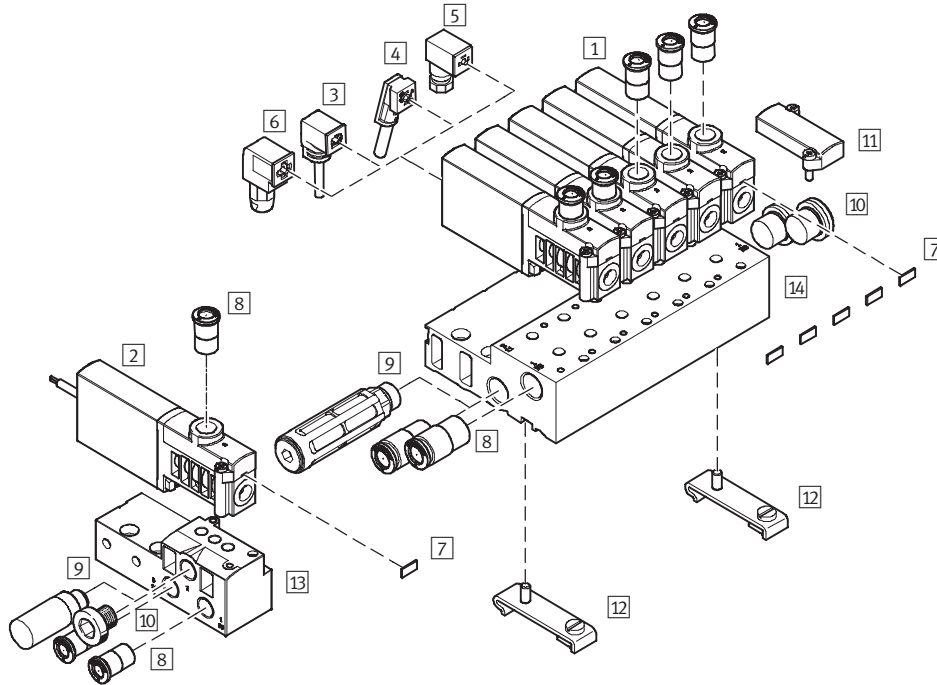
1) Corrosion resistance class 2 according to Festo standard 940 070

Components requiring moderate corrosion resistance. Externally visible parts with primarily decorative surface requirements which are in direct contact with a normal industrial environment or media such as coolants or lubricating agents.

Solenoid valves MHP4, fast-switching valves

Peripherals overview – Semi in-line valve

Connection with plug vanes – Connection with moulded-in cable



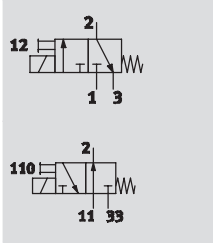
Valves and accessories		Brief description	→ Page
1	Semi in-line valve MHP4-...	With plug vanes	2 / 3.2-72
2	Semi in-line valve MHP4-...-K	With cable	2 / 3.2-72
3	Plug socket MSSD-EB (IP65)	With clamping screw	2 / 3.2-84
4	Plug socket MSSD-EB-S-M14 (IP65)	With insulation displacement connector	2 / 3.2-84
5	Plug socket with cable KMEB-1 (IP65)	PVC cable, with or without LED	2 / 3.2-84
6	Plug socket with cable KMEB-2 (IP65)	PUR cable, with or without LED	2 / 3.2-84
7	Inscription label MH-BZ-80X	For identifying the valves	2 / 3.2-84
8	Push-in fittings QS	For connecting compressed air tubing with standard O.D.	Volume 3
9	Silencer UC	For fitting in exhaust ports	Volume 3
10	Blanking plug B	For sealing unused ports	2 / 3.2-84
11	Blanking plate MHAP4-BP-3	For sealing vacant positions	2 / 3.2-84
12	H-rail mounting CPV10/14-VI-BG-NRH-35	–	2 / 3.2-84
13	Individual sub-base MHA4-AS-3-¼	For semi in-line valve; the individual sub-base is also used for the sub-base valve, the output port must in this case be sealed with a blanking plug	2 / 3.2-75
14	Manifold block MHP4-PR...-3	For semi in-line valve	2 / 3.2-75

Solenoid valves MHP4, fast-switching valves

Technical data – Semi in-line valve



Function



- - Voltage
24 V DC

- - Pressure
-0.9 ... +8 bar

- - Temperature range
-5 ... +40 °C



Application-optimised directional control valves
Fast-switching valves

3.2

General technical data		
Valve function		3/2 way, single solenoid ¹⁾
Design		Pressure-relieved poppet valve
Sealing principle		Soft
Control type		Electric
Actuation type		Direct
Direction of flow		Reversible with restrictions ²⁾
Exhaust function		With flow control
Manual override		Non-detenting
Assembly position		Any
Grid dimension	[mm]	24
Nominal diameter	[mm]	4
Standard nominal flow rate	[l/min]	400
Type of mounting		On sub-base or manifold, via through-hole
Pneumatic connection		Connecting thread G1/4
		Push-in fitting for tubing O.D. 8 mm
Product weight	[g]	270

- 1) Can be used as a 2/2 way valve by sealing connection 1 or 3
- 2) There may be slight leakage in the pressure range -0.5 to +0.5 bar

Operating and environmental conditions		
Operating medium		Filtered compressed air, lubricated or unlubricated, grade of filtration 40 µm
		Vacuum, grade of filtration 40 µm
Operating pressure	[bar]	-0.9 ... +8
Operating pressure, reversible	[bar]	-0.9 ... 0
Ambient temperature	[°C]	-5 ... +40
Temperature of medium	[°C]	-5 ... +40
Corrosion resistance class CRC		2 ¹⁾
Certification		c UL us - Recognised (OL)

- 1) Corrosion resistance class 2 according to Festo standard 940 070
Components requiring moderate corrosion resistance. Externally visible parts with primarily decorative surface requirements which are in direct contact with a normal industrial environment or media such as coolants or lubricating agents.

Solenoid valves MHP4, fast-switching valves

Technical data – Semi in-line valve

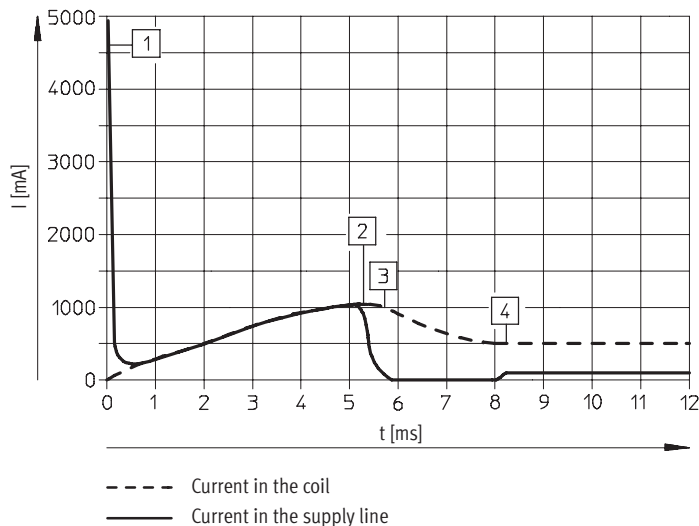


Electrical data		
Operating voltage	[V DC]	24 ±10%
Type of connection		Plug vanes or moulded-in cable
Power consumption		
With fast-switching electronics	[W]	Pull: 8.5 Hold: 2.125
Without fast-switching electronics	[W]	5.6
Protection class to EN 60529		
With moulded-in cable		IP65
With plug socket with cable KMEB		IP65

Response times and switching frequencies		
With fast-switching electronics		
Switching time on/off	[ms]	3.5/3.5 +10% ... -30%
Maximum switching frequency	[Hz]	210 ¹⁾
CE symbol		In accordance with EU EMC Directive
Without fast-switching electronics		
Switching time on/off	[ms]	9/5
Maximum switching frequency	[Hz]	120

1) The ambient temperature must be limited as from 100 Hz.

Current path for valves with fast-switching electronics



- 1 Capacitor charging
- 2 Controlled coil current 1 A
- 3 Drop to holding current
- 4 Controlled holding current 0.5 A

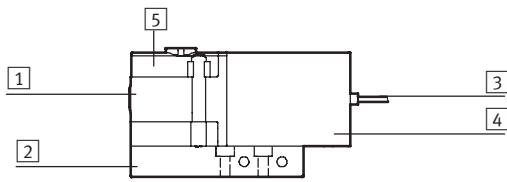
Solenoid valves MHP4, fast-switching valves

Technical data – Semi in-line valve



Application-optimised directional control valves
Fast-switching valves

Materials



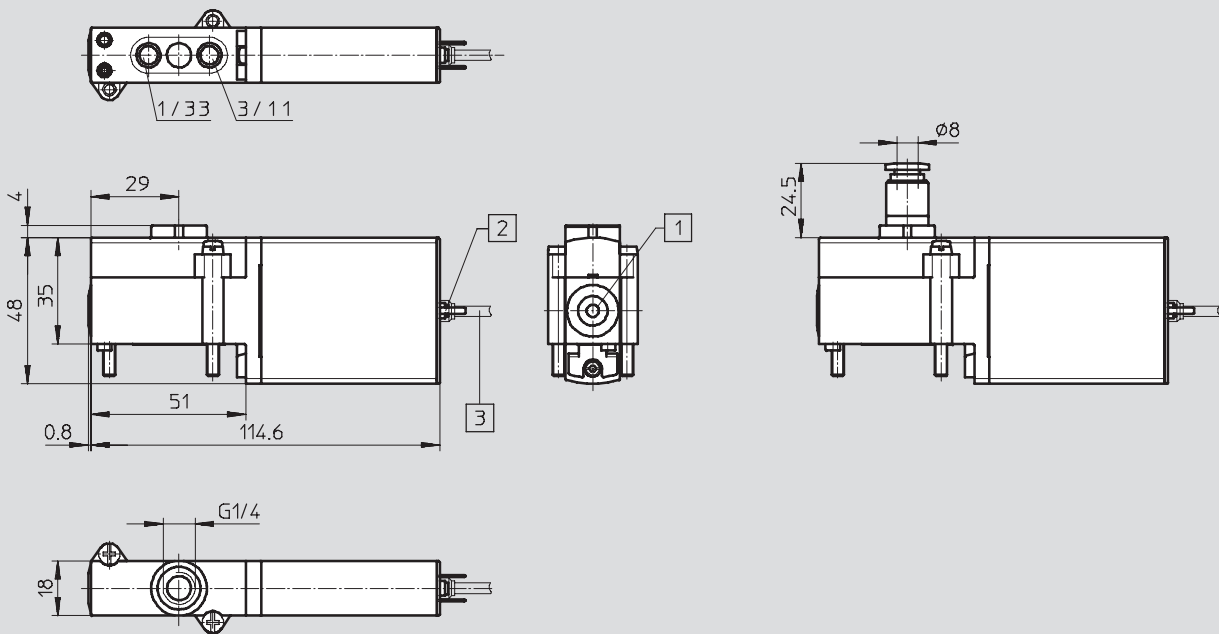
1	Body	Die-cast zinc, coated
2	Sub-base	Manifold block: Aluminium Individual sub-base: Die-cast zinc
3	Cable sheath	Polyurethane
4	Coil housing	Polyamide
5	Connection piece	Polyamide
-	Seals	Nitrile rubber
Note on materials		Free of copper and PTFE

Dimensions

Download CAD data → www.festo.com/en/engineering

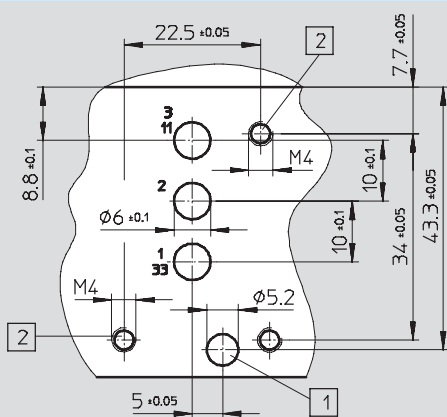
Valve with connecting thread G1/4

Valve with push-in fitting QS 8



- 1 Manual override, non-detenting
- 2 Plug vanes for plug socket with cable KMEB
- 3 Cable 2.5 m

Port pattern on sub-bases



- 1 Hole for coding pin, 2.5 mm deep
- 2 Mounting thread, 13 mm deep



Note

Semi in-line valves do not require port 2.
If used as a 2/2-way valve, normally closed, port 3/11 is not required.
If used as a 2/2-way valve, normally open, port 1/33 is not required.

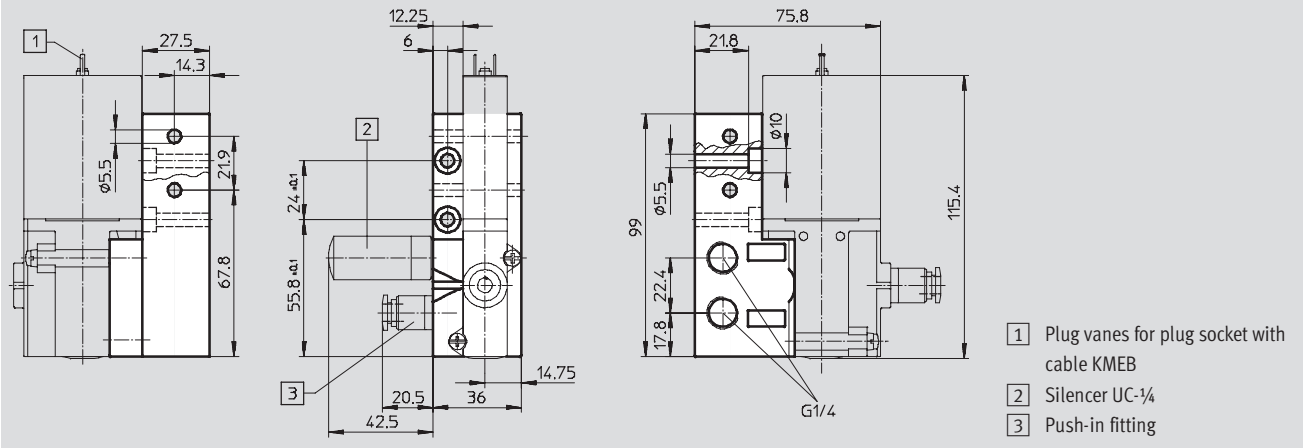
Solenoid valves MHP4, fast-switching valves

Technical data – Semi in-line valve

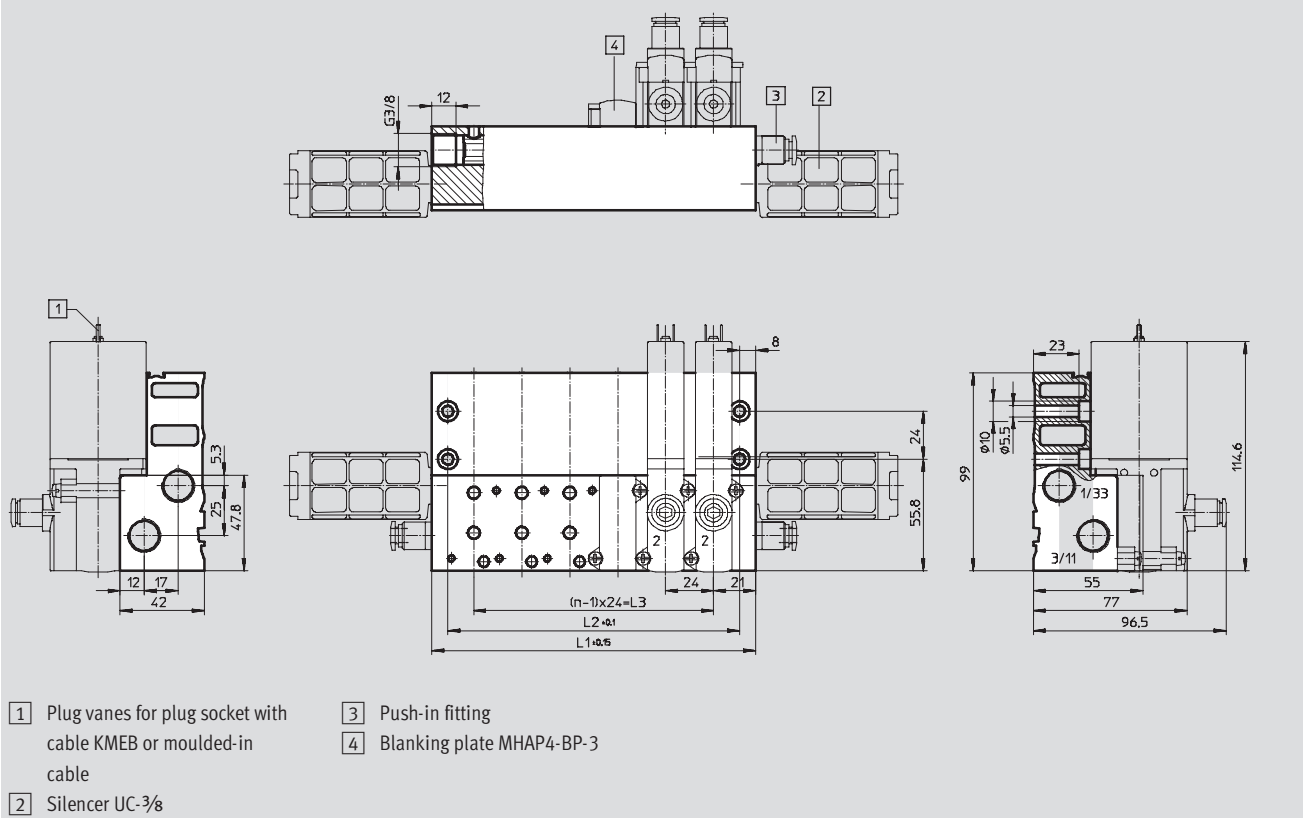


Dimensions Download CAD data → www.festo.com/en/engineering

Individual sub-base



Manifold mounting



Valve positions n	L1	L2	L3
2	66	50	24
4	114	98	72
6	162	146	120

Valve positions n	L1	L2	L3
8	210	194	168
10	258	242	216

Solenoid valves MHP4, fast-switching valves

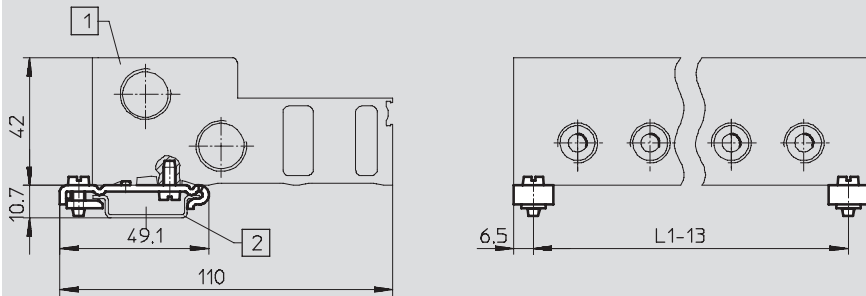
Technical data – Semi in-line valve



Application-optimised directional control valves
Fast-switching valves

Dimensions Download CAD data → www.festo.com/en/engineering

H-rail mounting CPV10/14-VI-BG-NRH-35



- 1 Manifold block
- 2 Mounting rail NRH-35

Type	Valve positions n	L1
MHA4/MHP4-PR2-3	2	66
MHA4/MHP4-PR4-3	4	114
MHA4/MHP4-PR6-3	6	162

Type	Valve positions n	L1
MHA4/MHP4-PR8-3	8	210
MHA4/MHP4-PR10-3	10	258

Ordering data – Valves

Electrical connection	Operating voltage	Normally closed		Normally open	
		Part No.	Type	Part No.	Type
Response time 3.5/3.5 ms					
Connecting thread G1/4					
Plug vanes	24 V DC	525 179	MHP4-MS1H-3/2G-1/4	525 199	MHP4-MS1H-3/20-1/4
Cable	24 V DC	525 181	MHP4-MS1H-3/2G-1/4-K	525 201	MHP4-MS1H-3/20-1/4-K
Push-in connector QS 8					
Plug vanes	24 V DC	525 183	MHP4-MS1H-3/2G-QS8	525 203	MHP4-MS1H-3/20-QS8
Cable	24 V DC	525 185	MHP4-MS1H-3/2G-QS8-K	525 205	MHP4-MS1H-3/20-QS8-K
Response time 9/5 ms					
Connecting thread G1/4					
Plug vanes	24 V DC	525 178	MHP4-M1H-3/2G-1/4	525 198	MHP4-M1H-3/20-1/4
Cable	24 V DC	525 180	MHP4-M1H-3/2G-1/4-K	525 200	MHP4-M1H-3/20-1/4-K
Push-in connector QS 8					
Plug vanes	24 V DC	525 182	MHP4-M1H-3/2G-QS8	525 202	MHP4-M1H-3/20-QS8
Cable	24 V DC	525 184	MHP4-M1H-3/2G-QS8-K	525 204	MHP4-M1H-3/20-QS8-K

- - Note

Type 3/2G and type 3/20 valves must not be mixed on a manifold block.

Solenoid valves MHP4, fast-switching valves



Technical data – Semi in-line valve

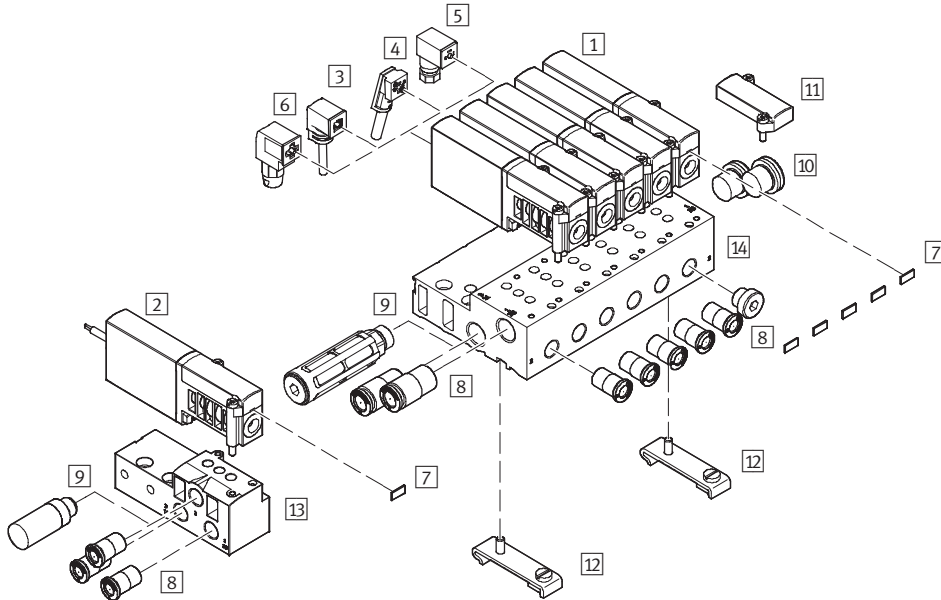
Ordering data – Product-specific accessories			
Designation		Part No.	Type
Individual sub-base			
For semi in-line valve		525 227	MHA4-AS-3-1/4
Manifold block			
For semi in-line valve	2 valves	525 229	MHP4-PR2-3
	4 valves	525 230	MHP4-PR4-3
	6 valves	525 231	MHP4-PR6-3
	8 valves	525 232	MHP4-PR8-3
	10 valves	525 233	MHP4-PR10-3

Solenoid valves MHA4, fast-switching valves

Peripherals overview – Sub-base valve



Connection with plug vanes – Connection with moulded-in cable



Application-optimised directional control valves
Fast-switching valves

3.2

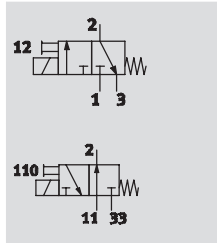
Valves and accessories		
	Brief description	→ Page
1	Sub-base valve MHA4-...	With plug vanes 2 / 3.2-84
2	Sub-base valve MHA4-...-K	With cable 2 / 3.2-84
3	Plug socket with cable KMEB-1 (IP65)	PVC cable, with or without LED 2 / 3.2-84
4	Plug socket with cable KMEB-2 (IP65)	PUR cable, with or without LED 2 / 3.2-84
5	Plug socket MSSD-EB (IP65)	With clamping screw 2 / 3.2-84
6	Plug socket MSSD-EB-S-M14 (IP65)	With insulation displacement connector 2 / 3.2-84
7	Inscription label MH-BZ-80X	For identifying the valves 2 / 3.2-84
8	Push-in fittings QS	For connecting compressed air tubing with standard O.D. Volume 3
9	Silencer UC	For fitting in exhaust ports Volume 3
10	Blanking plug B	For sealing unused ports 2 / 3.2-84
11	Blanking plate MHAP4-BP-3	For sealing vacant positions 2 / 3.2-84
12	H-rail mounting CPV10/14-VI-BG-NRH-35	– 2 / 3.2-84
13	Individual sub-base MHA4-AS-3-1/4	For sub-base valves 2 / 3.2-82
14	Manifold block MHA4-PR...-3	For sub-base valves 2 / 3.2-82

Solenoid valves MHA4, fast-switching valves

FESTO

Technical data – Sub-base valve

Function



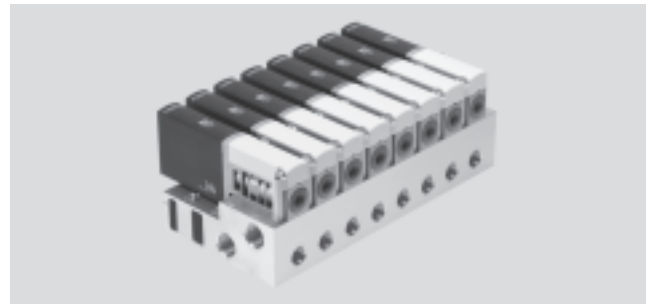
Voltage
24 V DC



Pressure
-0.9 ... +8 bar



Temperature range
-5 ... +40 °C



General technical data		
Valve function		3/2 way, single solenoid ¹⁾
Design		Pressure-relieved poppet valve
Sealing principle		Soft
Control type		Electric
Actuation type		Direct
Direction of flow		Reversible with restrictions ²⁾
Exhaust function		With flow control
Manual override		Non-detenting
Assembly position		Any
Grid dimension	[mm]	24
Nominal diameter	[mm]	4
Standard nominal flow rate	[l/min]	400
Type of mounting		On sub-base or manifold, via through-hole
Pneumatic connection		Connecting thread G1/4
Product weight	[g]	270

- 1) Can be used as a 2/2 way valve by sealing connection 3 or 33
 2) There may be slight leakage in the pressure range -0.5 to +0.5 bar

Operating and environmental conditions		
Operating medium		Filtered compressed air, lubricated or unlubricated, grade of filtration 40 µm Vacuum, grade of filtration 40 µm
Operating pressure	[bar]	-0.9 ... +8
Operating pressure, reversible	[bar]	-0.9 ... 0
Ambient temperature	[°C]	-5 ... +40
Temperature of medium	[°C]	-5 ... +40
Corrosion resistance class CRC		2 ¹⁾
Certification		c UL us - Recognised (OL)

- 1) Corrosion resistance class 2 according to Festo standard 940 070
 Components requiring moderate corrosion resistance. Externally visible parts with primarily decorative surface requirements which are in direct contact with a normal industrial environment or media such as coolants or lubricating agents.

Solenoid valves MHA4, fast-switching valves

Technical data – Sub-base valve



Application-optimised directional control valves
Fast-switching valves

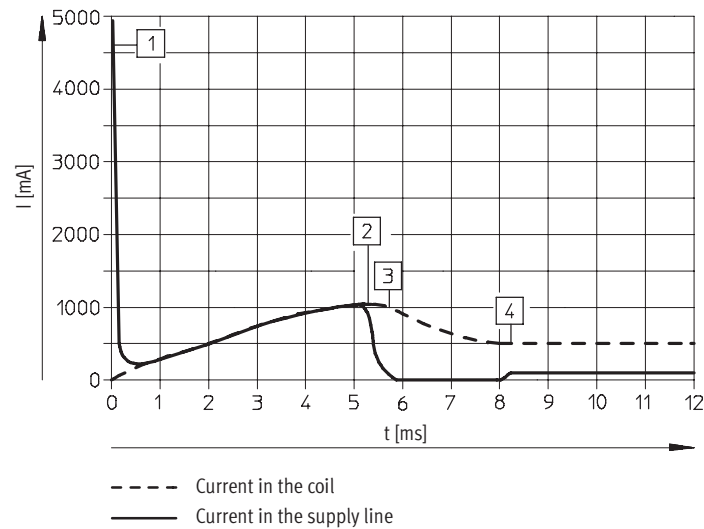
3.2

Electrical data		
Operating voltage	[V DC]	24 ±10%
Type of connection		Plug vanes or moulded-in cable
Power consumption		
With fast-switching electronics	[W]	Pull: 8.5 Hold: 2.125
Without fast-switching electronics	[W]	5.6
Protection class to EN 60529		
With moulded-in cable		IP65
With plug socket with cable KMEB		IP65

Response times and switching frequencies		
With fast-switching electronics		
Switching time on/off	[ms]	3.5/3.5 +10% ... -30%
Maximum switching frequency	[Hz]	210 ¹⁾
CE symbol		In accordance with EU EMC Directive
Without fast-switching electronics		
Switching time on/off	[ms]	9/5
Maximum switching frequency	[Hz]	120

1) The ambient temperature must be limited as from 100 Hz.

Current path for valves with fast-switching electronics



- 1 Capacitor charging
- 2 Controlled coil current 1 A
- 3 Drop to holding current
- 4 Controlled holding current 0.5 A

Solenoid valves MHA4, fast-switching valves

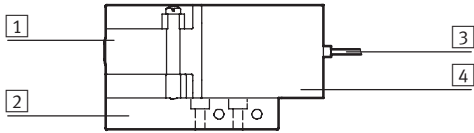
Technical data – Sub-base valve



Application-optimised directional control valves
Fast-switching valves

3.2

Materials

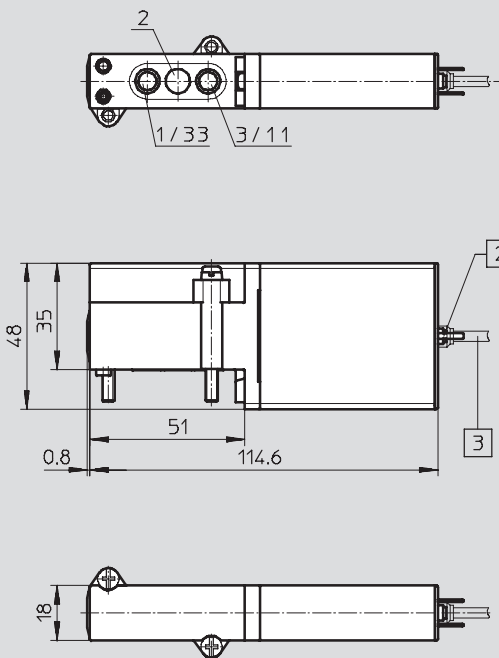


1	Body	Die-cast zinc, coated
2	Sub-base	Manifold block: Aluminium Individual sub-base: Die-cast zinc
3	Cable sheath	Polyurethane
4	Coil housing	Polyamide
-	Seals	Nitrile rubber/ hydrogenated nitrile rubber
Note on materials		Free of copper and PTFE

Dimensions

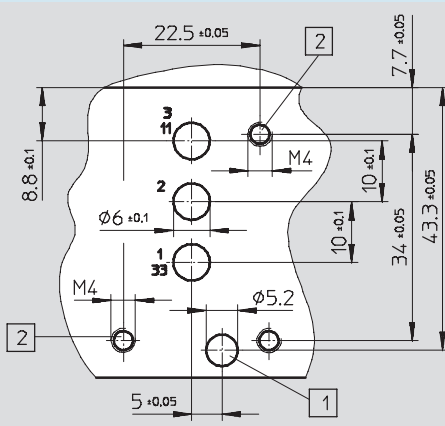
Download CAD data → www.festo.com/en/engineering

Valve



- 1 Manual override, non-detenting
- 2 Plug vanes for plug socket with cable KMEB
- 3 Cable 2.5 m

Port pattern on sub-bases



- 1 Hole for coding pin, 2.5 mm deep
- 2 Mounting thread, 13 mm deep

Solenoid valves MHA4, fast-switching valves

Technical data – Sub-base valve

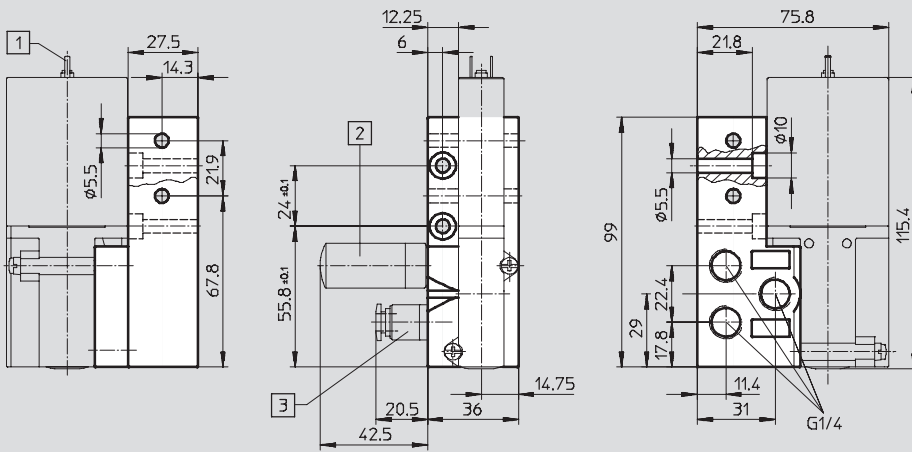


Application-optimised directional control valves
Fast-switching valves

Dimensions

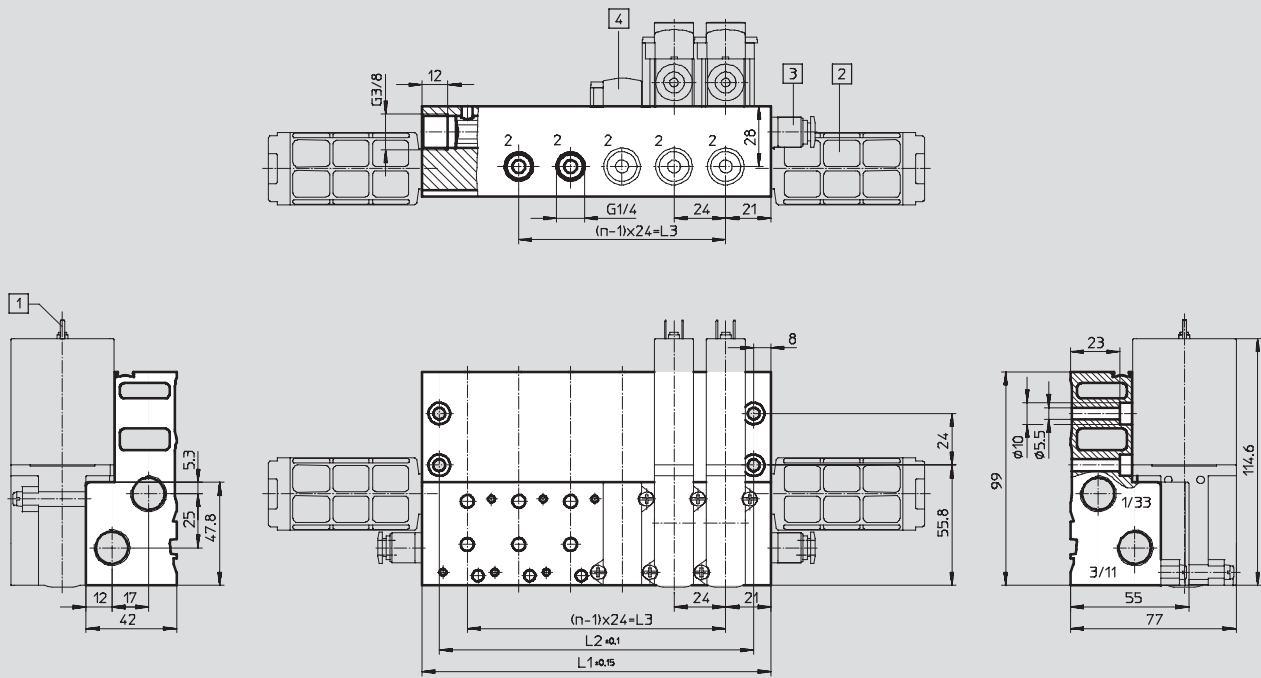
Download CAD data → www.festo.com/en/engineering

Individual sub-base



- 1 Plug vanes for plug socket with cable KMEB
- 2 Silencer UC-1/4
- 3 Push-in fitting

Manifold mounting



- 1 Plug vanes for plug socket with cable KMEB or moulded-in cable
- 2 Silencer UC-3/8
- 3 Push-in fitting
- 4 Blanking plate MHAP4-BP-3

Valve positions n	L1	L2	L3
2	66	50	24
4	114	98	72
6	162	146	120

Valve positions n	L1	L2	L3
8	210	194	168
10	258	242	216

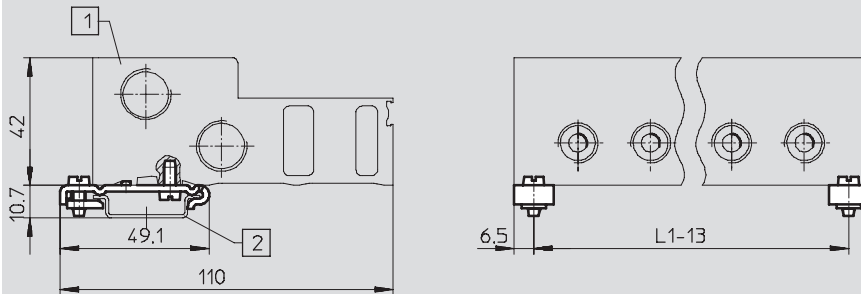
Solenoid valves MHA4, fast-switching valves

Technical data – Sub-base valve



Dimensions Download CAD data → www.festo.com/en/engineering

H-rail mounting CPV10/14-VI-BG-NRH-35



- 1 Manifold block
- 2 Mounting rail NRH-35

Type	Valve positions n	L1
MHA4/MHP4-PR2-3	2	66
MHA4/MHP4-PR4-3	4	114
MHA4/MHP4-PR6-3	6	162

Type	Valve positions n	L1
MHA4/MHP3-PR8-3	8	210
MHA4/MHP4-PR10-3	10	258

Ordering data – Valves

Electrical connection	Operating voltage	Normally closed		Normally open	
		Part No.	Type	Part No.	Type
Response time 3.5/3.5 ms					
Plug vanes	24 V DC	525 175	MHA4-MS1H-3/2G-4	525 195	MHA4-MS1H-3/2O-4
Cable	24 V DC	525 177	MHA4-MS1H-3/2G-4-K	525 197	MHA4-MS1H-3/2O-4-K
Response time 9/5 ms					
Plug vanes	24 V DC	525 174	MHA4-M1H-3/2G-4	525 194	MHA4-M1H-3/2O-4
Cable	24 V DC	525 176	MHA4-M1H-3/2G-4-K	525 196	MHA4-M1H-3/2O-4-K

Note
Type 3/2G and type 3/2O valves must not be mixed on a manifold block.

Ordering data – Product-specific accessories

Designation	Part No.	Type
Individual sub-base		
For sub-base valve	525 227	MHA4-AS-3-¼
Manifold block		
For sub-base valve	2 valves	525 234 MHA4-PR2-¼
	4 valves	525 235 MHA4-PR4-¼
	6 valves	525 236 MHA4-PR6-¼
	8 valves	525 237 MHA4-PR8-¼
	10 valves	525 238 MHA4-PR10-¼

Application-optimised directional control valves
Fast-switching valves

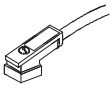
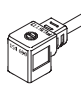
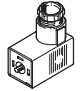

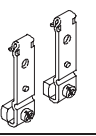
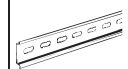

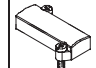

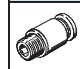

Solenoid valves MH4, fast-switching valves

Accessories



Application-optimised directional control valves
Fast-switching valves

3.2

Ordering data				Ordering data			
		Part No.	Type			Part No.	Type
Plug socket with cable (IP65) with PUR cable				Plug socket with cable (IP65) with PVC cable			
	2.5 m	174 844	KMEB-2-24-2,5-LED		2.5 m	151 688	KMEB-1-24-2,5-LED
	5 m	174 845	KMEB-2-24-5-LED		5 m	151 689	KMEB-1-24-5-LED
	2.5 m	174 846	KMEB-2-230-2,5		10 m	193 457	KMEB-1-24-10-LED
	5 m	174 847	KMEB-2-230-5		2.5 m	151 690	KMEB-1-230AC-2,5
			5 m		151 691	KMEB-1-230AC-5	
Plug socket with screw terminal				Plug sockets with insulation displacement connector			
		151 687	MSSD-EB			192 745	MSSD-EB-S-M14
H-rail mounting				H-rail			
		162 556	CPV10/14-VI-BG-NRH-35		2 m	35 430	NRH-35-2000
Blanking plug B				Blanking plate			
	G ¹ / ₄	3 568	B- ¹ / ₄ ²⁾			525 239	MHAP4-BP-3
	G ³ / ₈	3 570	B- ³ / ₈ ²⁾				
Silencer UC				Push-in fittings QS			
		→ Volume 3				→ Volume 3	
Inscription label							
		197 259	MH-BZ-80X ¹⁾				

1) Scope of delivery 80 pieces

2) Scope of delivery 10 pieces