



- For accurate and gentle transportation
- Lightweight and sturdy
- 6 suction cup designs in various sizes
- Suction cup diameters 2 – 100 mm
- Long service life

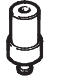

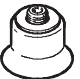

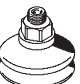
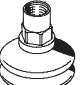

Suction cups, complete ESS

Product range overview





Suction grippers

2.1

Type	Suction cup \varnothing [mm]	Suction cup holder Size	Mounting thread	Nominal size [mm]	Food approval as per directive FDA	Materials						→ Page		
						Fluoro rubber	Nitrile rubber	Nitrile rubber, antistatic	Silicone	Polyurethane	Vulkollan®			
Standard, round ESS-...-S...		2	1	$\varnothing 3$	0.6	■	■	■	■	■	■	-	6 / 2.1-53	
		4			1.2	■	■	■	■	■	■	-		
		6	2	$\varnothing 4$	2.0	■	■	■	■	■	■	-		
		8												
		10	3	M4x0.7	2.0	■	■	■	■	■	■	-	6 / 2.1-53	
		15												
		20												
		30	4	M6x1	3.0	■	■	■	■	■	-			
		40												
		50												
		60	5	M10x1.5	6.0	■	■	■	■	■	-			
		80												
		100												
		150												
200	6	M20x2	10.0	■	■	■	■	■	-					
Round, extra deep ESS-...-E...		15	3	M4x0.7	2.0	-	■	■	-	■	■	-	6 / 2.1-57	
		20	4	M6x1	3.0	-	■	■	-	■	■	-		
		30												
		40												
		50	5	M10x1.5	6.0	-	■	■	-	■	■	-		
		60												
		80												
		100												
Bellows, round, 1.5 convolutions ESS-...-B...		10	3	M4x0.7	2.0	-	-	■	-	■	■	-	6 / 2.1-60	
		20	4	M6x1	3.0	-	-	■	-	■	■	-		
		30												
		40												
		50	5	M10x1.5	6.0	-	-	■	-	■	■	-		
		80												
Bellows, round, 1.5 convolutions ESS-...-BT...		40	4	M6	2.5	-	-	-	-	-	-	■	6 / 2.1-62	
				M10										
				G $\frac{1}{4}$ -I										
				G $\frac{1}{4}$										
			50	4	M6	2.5	-	-	-	-	-	-		■
					M10									
	G $\frac{1}{4}$ -I													
	G $\frac{1}{4}$													
	80	5	5	M10	2.5	-	-	-	-	-	-	■		
				G $\frac{1}{4}$ -I										
				G $\frac{1}{4}$										
Bellows, round, 3.5 convolutions ESS-...-C...		10	3	M4x0.7	2.0	-	-	■	-	■	-	-	6 / 2.1-64	
		20	4	M6x1	3.0	-	-	■	-	■	-	-		
		30												
		40												
		50												

Suction cups, complete ESS

Product range overview

Type	Suction cup \emptyset or suction cup size	Suction cup holder	Mounting thread	Nominal size	Materials		→ Page	
					Nitrile rubber	Vulkolan®		
	[mm]	Size		[mm]				
Oval suction cup ESS-...-0...		4x10	4	M6x1	3.0	■	-	6 / 2.1-66
		4x20						
		6x10						
		6x20						
		8x20						
		8x30						
		10x30						
		15x45	5	M10x1.5	6.0	■	-	
		20x60						
		25x75						
30x90								
Bell-shaped ESS-...-GT-...		30	4	M6	2.5	-	■	6 / 2.1-68
				M10				
				G1/8-l				
				G1/8				
		40	4	M6	2.5	-	■	
				M10				
				G1/4-l				
				G1/4				
		50	4	M6	2.5	-	■	
				M10				
				G1/8-l				
				G1/8				
		60	5	M10	2.5	-	■	
				G1/4-l				
				G1/4				
		80	5	M10	5.5	-	■	
				G1/4-l				
				G1/4				
100	5	M10	5.5	-	■			
		G1/4-l						
		G1/4						





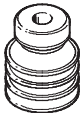

Suction cups ESV

Product range overview



Suction grippers

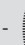
2.1

Type	Suction cup \varnothing [mm]	Suction cup holder Size	Mounting thread	Food approval as per directive FDA	Materials						→ Page	
					Fluoro rubber	Nitrile rubber	Nitrile rubber antistatic	Silicone	Polyurethane	Vulkolan®		
Standard, round ESV-...-S...		20	4	M6x1	■	■	■	■	■	■	-	6 / 2.1-53
		30										
		40										
		50	5	M10x1.5	■	■	-	■	■	-		
		60										
		80										
		100	6	M20x2	■	■	-	■	■	-		
150												
200												
Round, extra deep ESV-...-E...		20	4	M6x1	-	■	■	-	■	■	-	6 / 2.1-57
		30										
		40										
		50	5	M10x1.5	-	■	■	-	■	■	-	
		60										
		80										
		100										
Bellows, round, 1.5 convolutions ESV-...-B...		20	4	M6x1	-	-	■	-	■	■	-	6 / 2.1-60
		30										
		40										
		50	5	M10x1.5	-	-	■	-	■	■	-	
80												
Bellows, round, 1.5 convolutions ESV-...-BT...		40	4	-	-	-	-	-	-	-	■	6 / 2.1-62
		50	5	-	-	-	-	-	-	-	■	
		80										
Bellows, round, 3.5 convolutions ESV-...-C...		20	4	M6x1	-	-	■	-	■	-	-	6 / 2.1-64
		30										
		40										
		50	5	M10x1	-	-	■	-	■	-	-	
Bell-shaped ESV-...-GT...		30	4	-	-	-	-	-	-	-	■	6 / 2.1-68
		40										
		50										
		60	5	-	-	-	-	-	-	-	■	
		80										
		100										

Suction cups, complete ESS/suction cups ESV

Type code

ESS		10	S	N	M6
Type					
ESS	Suction cup, complete				
ESV	Suction cup				
Suction cup \varnothing or suction cup size [mm]					
2...200	Round				
4x10	Oval				
4x20	Oval				
6x10	Oval				
6x20	Oval				
8x20	Oval				
8x30	Oval				
10x30	Oval				
15x45	Oval				
20x60	Oval				
25x75	Oval				
30x90	Oval				
Suction cup design					
S	Standard, round				
E	Extra deep				
B	Bellows, round, 1.5 convolutions				
C	Bellows, round, 3.5 convolutions				
O	Oval				
G	Bell-shaped				
Materials					
F	Fluoro rubber				
N	Nitrile rubber				
NA	Nitrile rubber, antistatic				
S	Silicone				
U	Polyurethane				
T	Vulkollan®				
Connection sizes					
M6	M6 thread				
M10	M10 thread				
G $\frac{1}{8}$	G $\frac{1}{8}$ thread				
G $\frac{1}{4}$	G $\frac{1}{4}$ thread				
G $\frac{1}{8}$ -I	G $\frac{1}{8}$ -I female thread				
G $\frac{1}{4}$ -I	G $\frac{1}{4}$ -I female thread				

 - Note
Possible combinations can be found in the ordering data.

Suction cups, complete ESS/suction cups ESV



Technical data

General technical data						
Type	ESS/ESV-...					
	F	N	NA	S	U	T
Operating medium	Atmospheric air					
Mounting position	Any					
Material	Fluoro rubber	Nitrile rubber	Nitrile rubber, antistatic	Silicone	Polyurethane	Vulkollan®
Shore hardness	60±5	50±5	50±5	50±5	60±5	72±5
Colour	Grey	Black	Black with white dot	Transparent	Blue	Reddish brown
Material note	PWIS-free (free of paint wetting impairment substances)			Contains PWIS		PWIS-free (free of paint wetting impairment substances)
	Free of copper, PTFE and silicone → Ordering data					

Ambient conditions							
Type		ESS/ESV-...					
		F	N	NA	S	U	T
Ambient temperature	[°C]	-10 ... +200	-10 ... +70	-10 ... +70	-30 ... +180	-20 ... +60	-10 ... +80
Corrosion resistance	CRC ¹⁾	1					2

- 1) Corrosion resistance class 1 according to Festo standard 940 070
 Components requiring low corrosion resistance. Transport and storage protection. Parts that do not have primarily decorative surface requirements, e.g. in internal areas that are not visible or behind covers.
 Corrosion resistance class 2 according to Festo standard 940 070
 Components requiring moderate corrosion resistance. Externally visible parts with primarily decorative surface requirements which are in direct contact with a surrounding industrial atmosphere or media such as cooling or lubricating agents.

Suction cups, complete ESS/suction cups ESV, standard round



Technical data

ESS-...-S...
ESV-...-S...

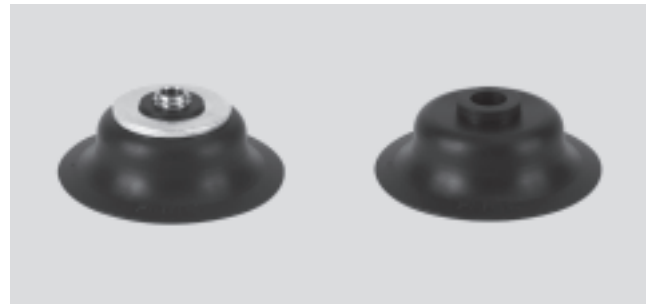
- - Temperature range
-30 ... +200 °C

Function



- - Diameter
2 ... 200 mm

Food approval as per
directive FDA



General technical data								
Suction cup \varnothing [mm]	Suction cup holder fits	Mounting thread	Effective suction cup \varnothing [mm]	Breakaway force at -0.7 bar [N]	Suction cup volume ³⁾ [cm ³]	Min. radius R ²⁾ of workpiece [mm]	Weight	
							ESS [g]	ESV [g]
2	Size 1	\varnothing 3 ¹⁾	1.4	0.1	0.002	10	0.1	-
4			3.3	0.4	0.008	10	0.1	-
6	Size 2	\varnothing 4 ¹⁾	5.2	1.1	0.015	15	0.2	-
8			7.2	2.3	0.030	20	0.2	-
10	Size 3	M4x0.7	8.3	3.9	0.050	30	1.5	-
15			13.5	8.5	0.208	35	1.9	-
20	Size 4	M6x1	17.6	16.3	0.318	60	6.4	1.6
30			18.4	40.8	0.867	110	9	2.7
40			26.5	69.6	1.566	230	16.3	7.4
50			33.3	105.8	2.387	330	22	11.2
60	Size 5	M10x1.5	42.0	166.1	3.953	350	49	22
80			57.8	309.7	19.312	400	133	33
100			75.2	503.6	29.779	460	222	59
150	Size 6	M20x2	114.3	900	173.826	480	719	361
200			151.7	1,610	245.454	680	1,198	840

- 1) Is plugged onto or into the suction cup holder
- 2) Minimum arc radius of the workpiece to be gripped
- 3) Volume to be evacuated

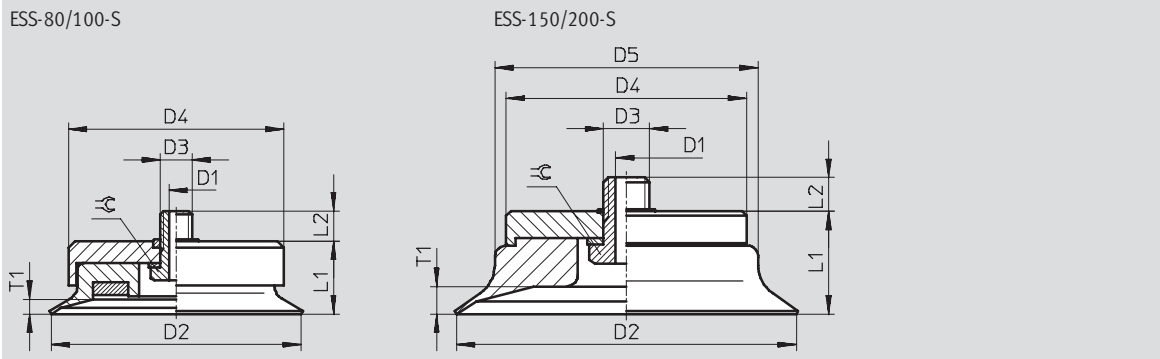
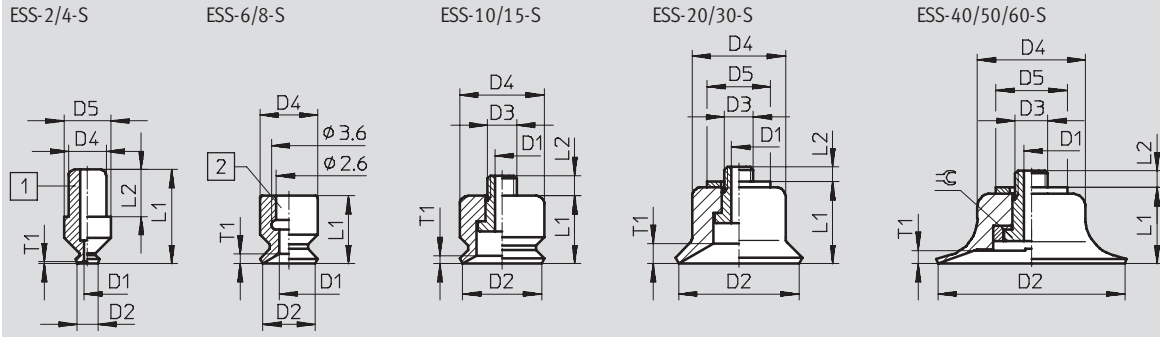
Lateral force F [N] at pu = -0.7 bar; Ra = 7 μ m					
Suction cup \varnothing [mm]	ESS-...-SN	ESS-...-SS	ESS-...-SU	ESS-...-SF	ESS-...-SNA
2	0.5	0.5	0.5	0.5	0.5
4	0.5	0.5	0.5	0.5	0.5
6	3.5	2.5	3	1.5	2
8	9.5	3.5	5	3.5	4
10	3.5	4	7	4.5	7.5
15	10.5	6.5	9	10.5	13.5
20	11.5	10.5	23	15.5	14.5
30	19.5	23.5	19	22	20
40	60	25	83	25	49
50	135	84	130	69.5	81.5
60	136	85	151	117.5	-
80	315	104	295	139.5	-
100	600	130	482.5	299	-
150	675	400	1,000	480	-
200	850	425	1,000	500	-

Suction cups, complete ESS/suction cups ESV, standard round



Technical data

Dimensions



- 1 Spigot for insertion into holder
- 2 Hole for sliding over holder

Type Suction cup	For Suction gripper	D1 ND	D2 Ø	D3	D4 Ø	D5 Ø	L1	L2	T1	≈
ESS-2-S...	ESG-2-S...	Ø 0.6	2	-	3.2	4	8	4	0.2	-
ESS-4-S...	ESG-4-S...	Ø 1.2	4	-	3.2	4	8	4	0.6	-
ESS-6-S...	ESG-6-S...	Ø 2	6	-	6	-	7	-	1	-
ESS-8-S...	ESG-8-S...	Ø 2	8	-	6	-	5.5	-	1.1	-
ESS-10-S...	ESG-10-S...	≈ 2	10	M4x0.7	10	-	8	3	1	-
ESS-15-S...	ESG-15-S...	≈ 2	15	M4x0.7	11	-	9	3	2.4	-
ESS-20-S...	ESG-20-S...	≈ 3	20	M6x1	15	18	11.6	2.4	1.8	-
ESS-30-S...	ESG-30-S...	≈ 3	30	M6x1	17	18	12.6	3.4	2	-
ESS-40-S...	ESG-40-S...	≈ 3	40	M6x1	25	22	15.6	3.2	1.9	-
ESS-50-S...	ESG-50-S...	≈ 3	50	M6x1	30	22	16.6	3.2	1.6	-
ESS-60-S...	ESG-60-S...	Ø 6	60	M10x1.5	40	-	20.6	4.5	2.6	14
ESS-80-S...	ESG-80-S...	Ø 6	80	M10x1.5	68	-	23	9.4	4.7	14
ESS-100-S...	ESG-100-S...	Ø 6	100	M10x1.5	85	-	25	8.4	5.5	14
ESS-150-S...	ESG-150-S...	Ø 10	150	M20x2	105	115	45	13	12	27
ESS-200-S...	ESG-200-S...	Ø 10	200	M20x2	105	160	50	13	15	27

Suction grippers

2.1

Suction cups, complete ESS/suction cups ESV, standard round

FESTO

Technical data

Ordering data			
Suction cup Ø [mm]	ESS		ESV
	Part No.	Type	Part No. Type
Fluoro rubber F			
2	189 267	ESS-2-SF ¹⁾	–
4	189 272	ESS-4-SF ¹⁾	–
6	189 277	ESS-6-SF ¹⁾	–
8	189 282	ESS-8-SF ¹⁾	–
10	189 287	ESS-10-SF ¹⁾	–
15	189 292	ESS-15-SF ¹⁾	–
20	189 297	ESS-20-SF ¹⁾	190 982 ESV-20-SF
30	189 302	ESS-30-SF ¹⁾	190 987 ESV-30-SF
40	189 307	ESS-40-SF ¹⁾	190 992 ESV-40-SF
50	189 312	ESS-50-SF ¹⁾	190 997 ESV-50-SF
60	189 317	ESS-60-SF ¹⁾	191 002 ESV-60-SF
80	189 321	ESS-80-SF ¹⁾	191 006 ESV-80-SF
100	189 325	ESS-100-SF ¹⁾	191 010 ESV-100-SF
150	189 329	ESS-150-SF ¹⁾	191 014 ESV-150-SF
200	189 333	ESS-200-SF ¹⁾	191 018 ESV-200-SF
Nitrile rubber N			
2	189 264	ESS-2-SN ¹⁾	–
4	189 269	ESS-4-SN ¹⁾	–
6	189 274	ESS-6-SN ¹⁾	–
8	189 279	ESS-8-SN ¹⁾	–
10	189 284	ESS-10-SN ¹⁾	–
15	189 289	ESS-15-SN ¹⁾	–
20	189 294	ESS-20-SN ¹⁾	190 979 ESV-20-SN
30	189 299	ESS-30-SN ¹⁾	190 984 ESV-30-SN
40	189 304	ESS-40-SN ¹⁾	190 989 ESV-40-SN
50	189 309	ESS-50-SN ¹⁾	190 994 ESV-50-SN
60	189 314	ESS-60-SN ¹⁾	190 999 ESV-60-SN
80	189 318	ESS-80-SN ¹⁾	191 003 ESV-80-SN
100	189 322	ESS-100-SN ¹⁾	191 007 ESV-100-SN
150	189 326	ESS-150-SN ¹⁾	191 011 ESV-150-SN
200	189 330	ESS-200-SN ¹⁾	191 015 ESV-200-SN
Nitrile rubber, antistatic NA			
2	189 268	ESS-2-SNA ¹⁾	–
4	189 273	ESS-4-SNA ¹⁾	–
6	189 278	ESS-6-SNA ¹⁾	–
8	189 283	ESS-8-SNA ¹⁾	–
10	189 288	ESS-10-SNA ¹⁾	–
15	189 293	ESS-15-SNA ¹⁾	–
20	189 298	ESS-20-SNA ¹⁾	190 983 ESV-20-SNA
30	189 303	ESS-30-SNA ¹⁾	190 988 ESV-30-SNA
40	189 308	ESS-40-SNA ¹⁾	190 993 ESV-40-SNA
50	189 313	ESS-50-SNA ¹⁾	190 998 ESV-50-SNA

1) Free of copper, PTFE and silicone

Suction cups, complete ESS/suction cups ESV, standard round

FESTO

Technical data

Ordering data				
Suction cup Ø [mm]	ESS		ESV	
	Part No.	Type	Part No.	Type
Silicone S				
2	189 266	ESS-2-SS	-	
4	189 271	ESS-4-SS	-	
6	189 276	ESS-6-SS	-	
8	189 281	ESS-8-SS	-	
10	189 286	ESS-10-SS	-	
15	189 291	ESS-15-SS	-	
20	189 296	ESS-20-SS	190 981	ESV-20-SS
30	189 301	ESS-30-SS	190 986	ESV-30-SS
40	189 306	ESS-40-SS	190 991	ESV-40-SS
50	189 311	ESS-50-SS	190 996	ESV-50-SS
60	189 316	ESS-60-SS	191 001	ESV-60-SS
80	189 320	ESS-80-SS	191 005	ESV-80-SS
100	189 324	ESS-100-SS	191 009	ESV-100-SS
150	189 328	ESS-150-SS	191 013	ESV-150-SS
200	189 332	ESS-200-SS	191 017	ESV-200-SS
Polyurethane U				
2	189 265	ESS-2-SU	-	
4	189 270	ESS-4-SU	-	
6	189 275	ESS-6-SU	-	
8	189 280	ESS-8-SU	-	
10	189 285	ESS-10-SU	-	
15	189 290	ESS-15-SU	-	
20	189 295	ESS-20-SU	190 980	ESV-20-SU
30	189 300	ESS-30-SU	190 985	ESV-30-SU
40	189 305	ESS-40-SU	190 990	ESV-40-SU
50	189 310	ESS-50-SU	190 995	ESV-50-SU
60	189 315	ESS-60-SU	191 000	ESV-60-SU
80	189 319	ESS-80-SU	191 004	ESV-80-SU
100	189 323	ESS-100-SU	191 008	ESV-100-SU
150	189 327	ESS-150-SU	191 012	ESV-150-SU
200	189 331	ESS-200-SU	191 016	ESV-200-SU

Suction grippers

2.1

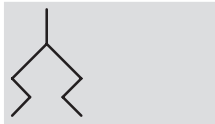
Suction cups, complete ESS/suction cups ESV, round, extra deep

Technical data

ESS-...-E...
ESV-...-E...

-  - Temperature range
-30 ... +200 °C

Function



-  - Diameter
15 ... 100 mm



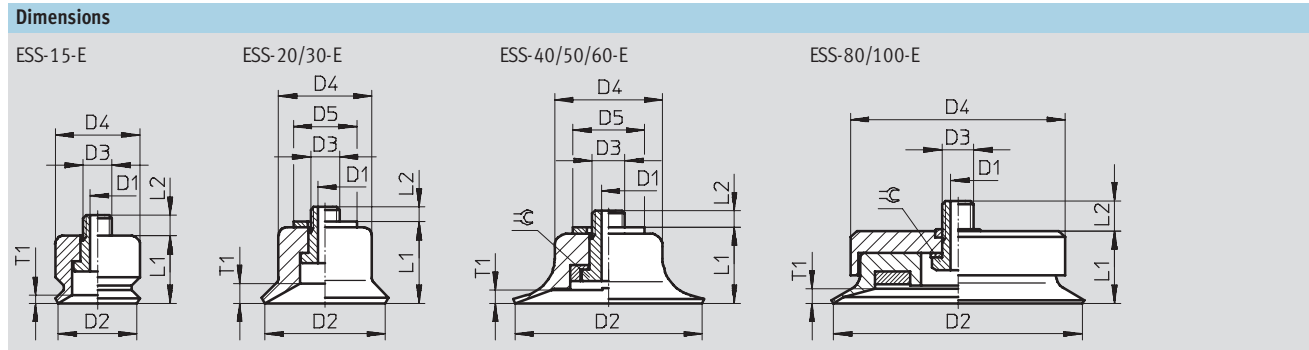
General technical data								
Suction cup \varnothing [mm]	Suction cup holder fits	Mounting thread	Effective suction cup \varnothing [mm]	Breakaway force at -0.7 bar [N]	Suction cup volume ²⁾ [cm ³]	Min. radius R ¹⁾ of workpiece [mm]	Weight	
							ESS [g]	ESV [g]
15	Size 3	M4x0.7	13.8	9.8	0.350	20	1.9	-
20	Size 4	M6x1	17.2	17	0.840	30	6.4	1.6
30			20.9	37.2	2.120	50	9.2	2.9
40			28.1	67.6	4.040	80	16.9	8
50			36.9	103.6	7.900	100	23.4	12.6
60	Size 5	M10x1.5	40.5	162.5	19.770	120	48	21
80			62.7	275	51.610	160	141	41
100			78.5	440.8	84.660	200	228	65

- 1) Minimum arc radius of the workpiece to be gripped
2) Volume to be evacuated

Lateral force F [N] at pu = -0.7 bar; Ra = 7 μ m				
Suction cup \varnothing [mm]	ESS-...-EN	ESS-...-ES	ESS-...-EU	ESS-...-EF
15	9	10	15	14.5
20	14	13	16	15.5
30	24.5	21.5	41.5	18.5
40	53	28.5	46.5	22
50	115	42.5	62	60
60	130	63.5	134	62.5
80	216	107.5	136.5	148.5
100	351	150	352.5	254.5

Suction cups, complete ESS/suction cups ESV, round, extra deep

Technical data



Type	For	D1	D2	D3	D4	D5	L1	L2	T1	⊕
Suction cup	Suction gripper	ND	∅		∅	∅				
ESS-15-E...	ESG-15-E...	≈⊕ 2	15	M4x0.7	11	-	10	3	2.9	-
ESS-20-E...	ESG-20-E...	≈⊕ 3	20	M6x1	15	18	12.6	2.4	3	-
ESS-30-E...	ESG-30-E...	≈⊕ 3	30	M6x1	17	18	15.6	3.4	4.5	-
ESS-40-E...	ESG-40-E...	≈⊕ 3	40	M6x1	25	22	19.1	3.2	4.5	-
ESS-50-E...	ESG-50-E...	≈⊕ 3	50	M6x1	30	22	21.1	3.9	6.5	-
ESS-60-E...	ESG-60-E...	∅ 6	60	M10x1.5	40	-	27.6	5.4	9.5	14
ESS-80-E...	ESG-80-E...	∅ 6	80	M10x1.5	68	-	33	9.4	8.6	14
ESS-100-E...	ESG-100-E...	∅ 6	100	M10x1.5	85	-	33	8.4	10.7	14

Suction grippers

2.1

Suction cups, complete ESS/suction cups ESV, round, extra deep

FESTO

Technical data

Ordering data			
Suction cup Ø [mm]	ESS		ESV
	Part No.	Type	Part No. Type
Fluoro rubber F			
15	189 337	ESS-15-EF ¹⁾	–
20	189 341	ESS-20-EF ¹⁾	191 026 ESV-20-EF
30	189 345	ESS-30-EF ¹⁾	191 030 ESV-30-EF
40	189 349	ESS-40-EF ¹⁾	191 034 ESV-40-EF
50	189 353	ESS-50-EF ¹⁾	191 038 ESV-50-EF
60	189 357	ESS-60-EF ¹⁾	191 042 ESV-60-EF
80	189 361	ESS-80-EF ¹⁾	191 046 ESV-80-EF
100	189 365	ESS-100-EF ¹⁾	191 050 ESV-100-EF
Nitrile rubber N			
15	189 334	ESS-15-EN ¹⁾	–
20	189 338	ESS-20-EN ¹⁾	191 023 ESV-20-EN
30	189 342	ESS-30-EN ¹⁾	191 027 ESV-30-EN
40	189 346	ESS-40-EN ¹⁾	191 031 ESV-40-EN
50	189 350	ESS-50-EN ¹⁾	191 035 ESV-50-EN
60	189 354	ESS-60-EN ¹⁾	191 039 ESV-60-EN
80	189 358	ESS-80-EN ¹⁾	191 043 ESV-80-EN
100	189 362	ESS-100-EN ¹⁾	191 047 ESV-100-EN
Silicone S			
15	189 336	ESS-15-ES	–
20	189 340	ESS-20-ES	191 025 ESV-20-ES
30	189 344	ESS-30-ES	191 029 ESV-30-ES
40	189 348	ESS-40-ES	191 033 ESV-40-ES
50	189 352	ESS-50-ES	191 037 ESV-50-ES
60	189 356	ESS-60-ES	191 041 ESV-60-ES
80	189 360	ESS-80-ES	191 045 ESV-80-ES
100	189 364	ESS-100-ES	191 049 ESV-100-ES
Polyurethane U			
15	189 335	ESS-15-EU	–
20	189 339	ESS-20-EU	191 024 ESV-20-EU
30	189 343	ESS-30-EU	191 028 ESV-30-EU
40	189 347	ESS-40-EU	191 032 ESV-40-EU
50	189 351	ESS-50-EU	191 036 ESV-50-EU
60	189 355	ESS-60-EU	191 040 ESV-60-EU
80	189 359	ESS-80-EU	191 044 ESV-80-EU
100	189 363	ESS-100-EU	191 048 ESV-100-EU

1) Free of copper, PTFE and silicone

Suction cups, complete ESS/suction cups ESV, bellows, round 1.5 convolutions

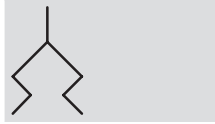
FESTO

Technical data

ESS-...-B...
ESV-...-B...

-  - Temperature range
-30 ... +180 °C

Function



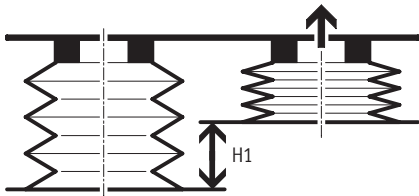
-  - Diameter
10 ... 80 mm



General technical data									
Suction cup Ø [mm]	Suction cup holder fits	Mounting thread	Effective suction cup Ø [mm]	Breakaway force at -0.7 bar [N]	Suction cup volume ²⁾ [cm ³]	Min. radius R ¹⁾ of workpiece [mm]	Max. height compensation H1 [mm]	Weight	
								ESS [g]	ESV [g]
10	Size 3	M4x0.7	7.4	4.7	0.380	20	4	1.8	-
20	Size 4	M6x1	14.3	12.9	1.600	40	6	6.7	1.9
30			20.3	26.2	4.070	80	8	9.9	3.6
40			25.2	52.3	8.870	90	9.5	18.7	9.8
50	Size 5	M10x1.5	31.8	72.6	14.230	150	11	24.7	13.9
80			55	213.6	63.900	430	10	139	39

- 1) Minimum arc radius of the workpiece to be gripped
2) Volume to be evacuated

Max. height compensation H1

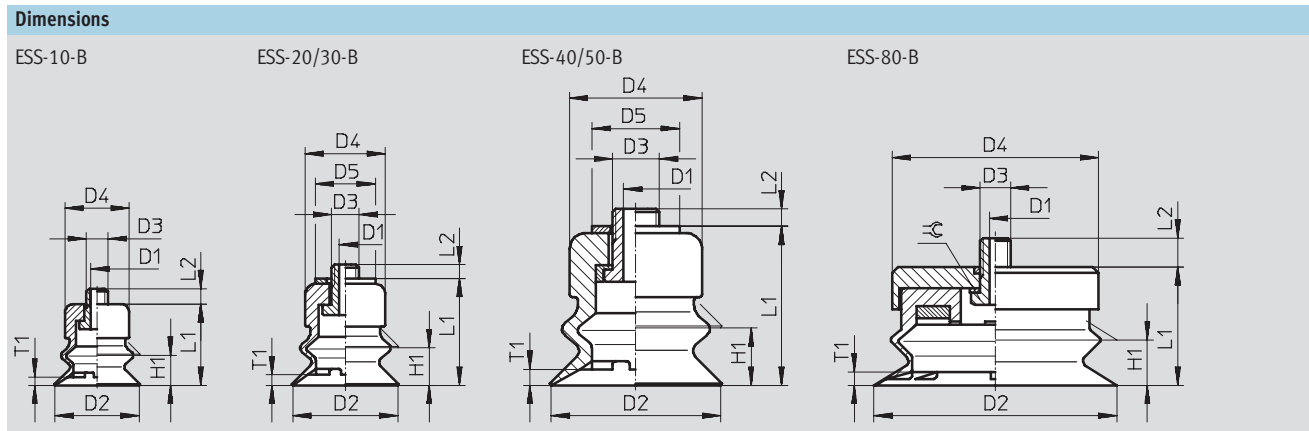


Lateral force F [N] at pu = -0.7 bar; Ra = 7 µm			
Suction cup Ø [mm]	ESS-...-BN	ESS-...-BS	ESS-...-BU
10	4.5	2.5	3
20	9.5	8	9.5
30	24.5	16	21.5
40	32.5	32.5	33
50	55.5	38	47
80	199.5	93	132.5

Suction cups, complete ESS/suction cups ESV, bellows, round 1.5 convolutions

FESTO

Technical data



Type Suction cup	For Suction gripper	D1 ND	D2 Ø	D3	D4 Ø	D5 Ø	H1	L1	L2	T1	≈C
ESS-10-B...	ESG-10-B...	≈C 2	10	M4x0.7	10	-	4	16	3	1	-
ESS-20-B...	ESG-20-B...	≈C 3	20	M6x1	15	18	6	20.6	2.4	2	-
ESS-30-B...	ESG-30-B...	≈C 3	30	M6x1	17	18	8	24.6	3.4	2.5	-
ESS-40-B...	ESG-40-B...	≈C 3	40	M6x1	25	22	9.5	31.6	3.2	4	-
ESS-50-B...	ESG-50-B...	≈C 3	50	M6x1	30	22	11	33.6	3.2	4	-
ESS-80-B...	ESG-80-B...	Ø 6	80	M10x1.5	68	-	10	39	9.4	2	14

Ordering data				
Suction cup Ø [mm]	ESS		ESV	
	Part No.	Type	Part No.	Type
Nitrile rubber N				
10	189 374	ESS-10-BN ¹⁾	-	-
20	189 378	ESS-20-BN ¹⁾	191 054	ESV-20-BN
30	189 382	ESS-30-BN ¹⁾	191 057	ESV-30-BN
40	189 386	ESS-40-BN ¹⁾	191 060	ESV-40-BN
50	189 390	ESS-50-BN ¹⁾	191 063	ESV-50-BN
80	189 394	ESS-80-BN ¹⁾	191 066	ESV-80-BN
Silicone S				
10	189 376	ESS-10-BS	-	-
20	189 380	ESS-20-BS	191 056	ESV-20-BS
30	189 384	ESS-30-BS	191 059	ESV-30-BS
40	189 388	ESS-40-BS	191 062	ESV-40-BS
50	189 392	ESS-50-BS	191 065	ESV-50-BS
80	189 396	ESS-80-BS	191 068	ESV-80-BS
Polyurethane U				
10	189 375	ESS-10-BU	-	-
20	189 379	ESS-20-BU	191 055	ESV-20-BU
30	189 383	ESS-30-BU	191 058	ESV-30-BU
40	189 387	ESS-40-BU	191 061	ESV-40-BU
50	189 391	ESS-50-BU	191 064	ESV-50-BU
80	189 395	ESS-80-BU	191 067	ESV-80-BU


1) Free of copper, PTFE and silicone

Suction cups, complete ESS/suction cups ESV, bellows, round 1.5 convolutions



Technical data

ESS-...-BT-...
ESV-...-BT

-  - Temperature range
-10 ... +80 °C

Function



-  - Diameter
40 ... 80 mm



General technical data

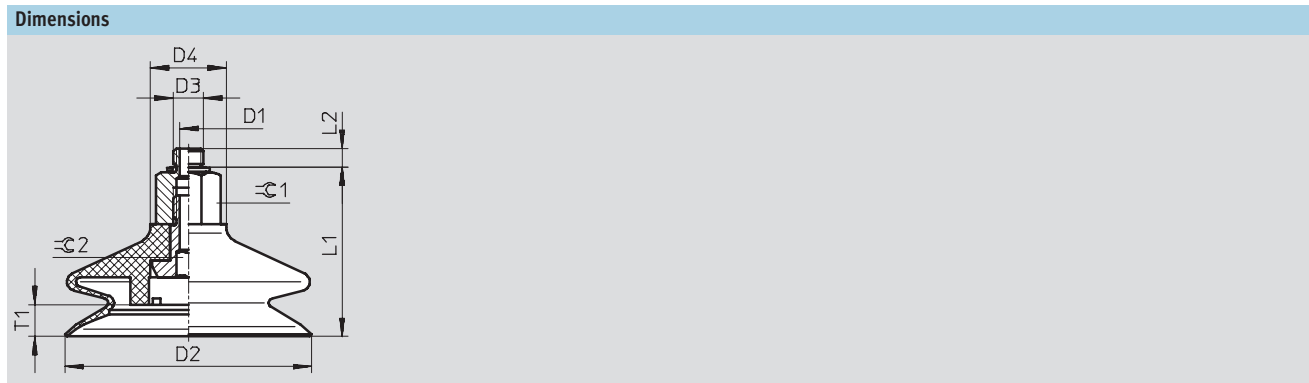
Suction cup Ø [mm]	Suction cup holder fits	Mounting thread	Breakaway force at -0.7 bar [N]	Min. radius R ¹⁾ of workpiece [mm]	Volume [cm ³]	Weight	
						ESS [g]	ESV [g]
40	Size 4	M6x1	59	35	9.70	18	10.5
	Size 5	M10x1.5			9.71	19	
	-	G ³ / ₄ -I female thread			10.00	19	
	-	G ³ / ₄ male thread			9.73	20.5	
50	Size 4	M6x1	100	40	17.50	24	16.2
	Size 5	M10x1.5			17.51	25	
	-	G ³ / ₄ -I female thread			17.80	25	
	-	G ³ / ₄ male thread			17.53	26	
80	Size 5	M10x1.5	237	100	58.50	84.5	57.2
	-	G ³ / ₄ -I female thread			58.50	87.5	
	-	G ³ / ₄ male thread			58.50	85.5	

1) Minimum arc radius of the workpiece to be gripped

Suction cups, complete ESS/suction cups ESV, bellows, round 1.5 convolutions



Technical data



Type	D1 ∅ ND	D2 ∅	D3	D4 ∅	L1	L2	T1	⊖ 1	⊖ 2
ESS-40-BT	2.5	40	M6	20	36	3.45	9	15	4
ESS-40-BT-I			M10		36.3	6.2		17	
ESS-50-BT			G $\frac{1}{4}$		48.3	-		15	
ESS-50-BT-I	2.5	50	G $\frac{1}{4}$	20	38.05	3.45	8	17	4
ESS-80-BT			M6		38.3	6.2		15	
ESS-50-BT-I			M10		50.3	5.8		17	
ESS-80-BT-I	2.5	80	G $\frac{1}{4}$	20	53.3	6.2	10.5	17	8
ESS-80-BT			M10		60.8	5.8		8	
ESS-80-BT-I			G $\frac{1}{4}$		-	-		-	

Ordering data					
Suction cup ∅ [mm]	Connection	ESS		ESV	
		Part No.	Type	Part No.	Type
40	M6	525 989	ESS-40-BT-M6 ¹⁾	-	-
	M10	525 990	ESS-40-BT-M10 ¹⁾	-	-
	G $\frac{1}{4}$ female thread	525 991	ESS-40-BT-G $\frac{1}{4}$ -I ¹⁾	-	-
	G $\frac{1}{4}$	525 992	ESS-40-BT-G $\frac{1}{4}$ ¹⁾	-	-
	-	-	-	526 006	ESV-40-BT ¹⁾
50	M6	525 993	ESS-50-BT-M6 ¹⁾	-	-
	M10	525 994	ESS-50-BT-M10 ¹⁾	-	-
	G $\frac{1}{4}$ female thread	525 995	ESS-50-BT-G $\frac{1}{4}$ -I ¹⁾	-	-
	G $\frac{1}{4}$	525 996	ESS-50-BT-G $\frac{1}{4}$ ¹⁾	-	-
	-	-	-	526 007	ESV-50-BT ¹⁾
80	M10	525 997	ESS-80-BT-M10 ¹⁾	-	-
	G $\frac{1}{4}$ female thread	525 998	ESS-80-BT-G $\frac{1}{4}$ -I ¹⁾	-	-
	G $\frac{1}{4}$	525 999	ESS-80-BT-G $\frac{1}{4}$ ¹⁾	-	-
	-	-	-	526 008	ESV-80-BT ¹⁾

1) Free of copper, PTFE and silicone

Suction cups, complete ESS/suction cups ESV, bellows, round 3.5 convolutions



Technical data

ESS-...-C...
ESV-...-C...

- - Temperature range
-30 ... +180 °C

Function



- - Diameter
10 ... 50 mm



General technical data

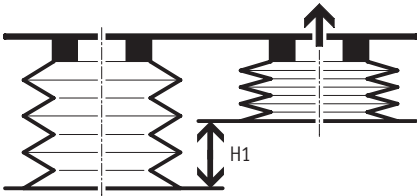
Suction cup Ø [mm]	Suction cup holder fits	Mounting thread	Effective suction cup Ø [mm]	Breakaway force at -0.7 bar [N]	Suction cup volume ²⁾ [cm ³]	Min. radius R ¹⁾ of workpiece [mm]	Max. height compensation H1 [mm]	Weight	
								ESS [g]	ESV [g]
10	Size 3	M4x0.7	6.9	3.9	0.290	25	3.3	1.6	-
20	Size 4	M6x1	14.5	8.2	2.750	50	7	6.9	2.1
30			20.9	20.8	9.470	80	10.5	12.2	5.8
40			28.2	42.4	19.720	100	12.8	21.9	13
50			32.8	63.4	38.920	180	17.5	32.1	21.3

- 1) Minimum arc radius of the workpiece to be gripped
2) Volume to be evacuated

Suction grippers

2.1

Max. height compensation H1



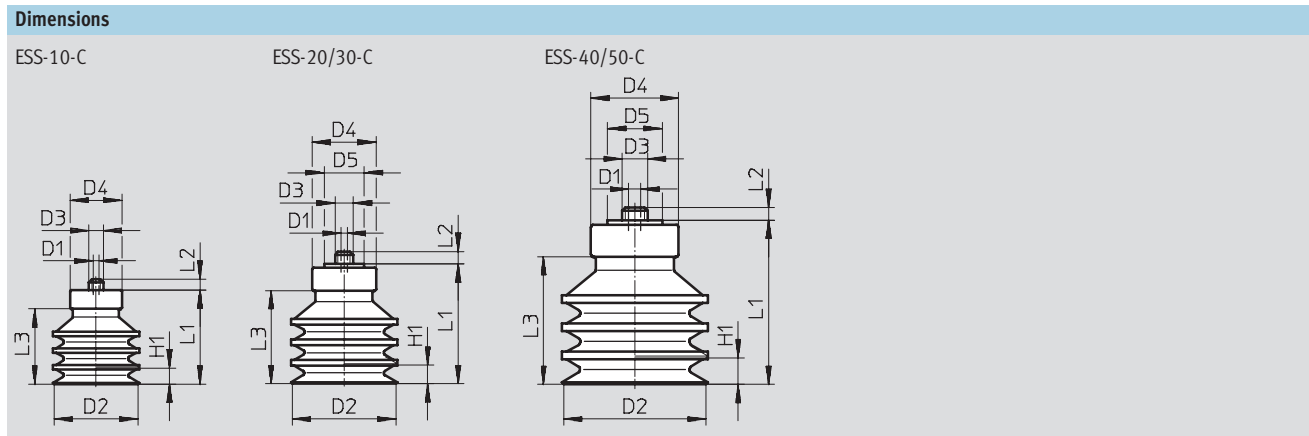
Lateral force F [N] at pu = -0.7 bar; Ra = 7 µm

Suction cup Ø [mm]	ESS-...-CN	ESS-...-CS
10	1.5	1
20	6.5	7
30	11.5	11
40	47.5	13
50	49	45.5

Suction cups, complete ESS/suction cups ESV, bellows, round 3.5 convolutions

FESTO

Technical data



Type Suction cup	For Suction gripper	D1 ≈ ND	D2 ∅	D3	D4 ∅	D5 ∅	H1	L1	L2	L3
ESS-10-C...	ESG-10-C...	2	10	M4x0.7	10	-	3.3	12.7	3	8.7
ESS-20-C...	ESG-20-C...	3	20	M6x1	15	18	7	23	2.4	16.4
ESS-30-C...	ESG-30-C...	3	30	M6x1	18	18	10.5	34.3	3.4	26.2
ESS-40-C...	ESG-40-C...	3	40	M6x1	25	22	12.8	39.6	3.2	31
ESS-50-C...	ESG-50-C...	3	50	M6x1	30	22	17.5	48	3.2	39.4

Ordering data			
Suction cup ∅ [mm]	ESS		ESV
	Part No.	Type	Part No. Type
Nitrile rubber N			
10	189 398	ESS-10-CN ¹⁾	-
20	189 400	ESS-20-CN ¹⁾	191 071 ESV-20-CN
30	189 402	ESS-30-CN ¹⁾	191 073 ESV-30-CN
40	189 404	ESS-40-CN ¹⁾	191 075 ESV-40-CN
50	189 406	ESS-50-CN ¹⁾	191 077 ESV-50-CN
Silicone S			
10	189 399	ESS-10-CS	-
20	189 401	ESS-20-CS	191 072 ESV-20-CS
30	189 403	ESS-30-CS	191 074 ESV-30-CS
40	189 405	ESS-40-CS	191 076 ESV-40-CS
50	189 407	ESS-50-CS	191 078 ESV-50-CS

1) Free of copper, PTFE and silicone

Suction cup ESS, oval

Technical data



ESS-...-0...

- - Temperature range
-10 ... +70 °C

Function



General technical data						
Suction cup size [mm]	Suction cup holder fits	Mounting thread	Effective suction cup Ø [mm]	Breakaway force at -0.7 bar [N]	Suction cup volume ¹⁾ [cm ³]	Weight [g]
4x10	Size 4	M6x1	0.29	2	0.064	2
4x20			0.57	3.4	0.112	2.5
6x10			0.35	2.9	0.106	2
6x20			0.74	5.9	0.196	2.5
8x20			0.89	8	0.256	2.5
8x30			1.36	10.9	0.376	3
10x30			2.23	15.2	0.350	2.9
15x45	Size 5	M10x1.5	4.84	32	1.570	23.8
20x60			9.12	62.8	3.690	30.8
25x75			14.67	92.5	6.700	46.8
30x90			21.83	134.4	10.170	55.3

1) Volume to be evacuated

Lateral force F [N] at pu = -0.7 bar and Ra = 7 µm		
Suction cup size [mm]	horizontal	vertical
4x10	3.5	5
4x20	4.5	11
6x10	8.5	12
6x20	9	12.5
8x20	11	13
8x30	17	13.5
10x30	23	16
15x45	43	35
20x60	116	63
25x75	125.5	115
30x90	201	134.5

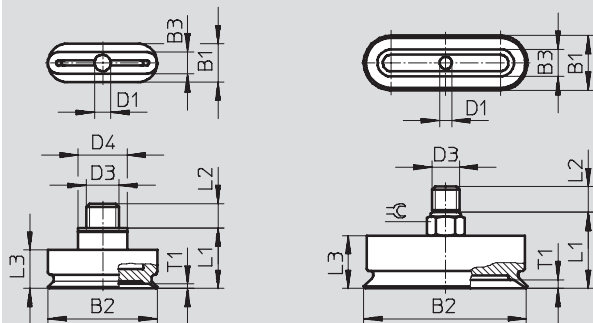
Suction cup ESS, oval

Technical data

Dimensions

ESS-4x10 ... 10x30-0

ESS-15x45 ... 30x90-0



Typ	für Sauggreifer	B1	B2	B3	D1 ∅ NW	D3	D4 ∅	L1	L2	L3	T1	☉
ESS-4x10-0...	ESG-4x10-0...	7	10	4	2,5	M6x1	9	11,1	4,4	7	0,8	-
ESS-4x20-0...	ESG-4x20-0...	7	20	4	2,5	M6x1	9	11,1	4,4	7	0,8	-
ESS-6x10-0...	ESG-6x10-0...	7	10	6	2,5	M6x1	9	11,1	4,4	7	1	-
ESS-6x20-0...	ESG-6x20-0...	7	20	6	2,5	M6x1	9	11,1	4,4	7	1	-
ESS-8x20-0...	ESG-8x20-0...	7	20	8	2,5	M6x1	9	11,1	4,4	7	1	-
ESS-8x30-0...	ESG-8x30-0...	7	30	8	2,5	M6x1	9	11,1	4,4	7	1	-
ESS-10x30-0...	ESG-10x30-0...	10	30	7	2,5	M6x1	9	11,1	4,4	7	1,1	-
ESS-15x45-0...	ESG-15x45-0...	15	45	15	6	M10x1,5	-	25,5	8,5	18,5	2,5	12
ESS-20x60-0...	ESG-20x60-0...	20	60	20	6	M10x1,5	-	26,3	8,5	19,3	3,2	12
ESS-25x75-0...	ESG-25x75-0...	25	75	25	6	M10x1,5	-	28	8,5	21	3,7	12
ESS-30x90-0...	ESG-30x90-0...	30	90	30	6	M10x1,5	-	28,5	8,5	21,5	3,7	12

Ordering data

Suction cup size [mm]	ESS	
	Part No.	Type
Nitrile rubber N		
4x10	189 408	ESS-4X10-ON ¹⁾
4x20	189 409	ESS-4X20-ON ¹⁾
6x10	189 410	ESS-6X10-ON ¹⁾
6x20	189 411	ESS-6X20-ON ¹⁾
8x20	189 412	ESS-8X20-ON ¹⁾
8x30	189 413	ESS-8X30-ON ¹⁾
10x30	189 414	ESS-10X30-ON ¹⁾
15x45	189 415	ESS-15X45-ON ¹⁾
20x60	189 416	ESS-20X60-ON ¹⁾
25x75	189 417	ESS-25X75-ON ¹⁾
30x90	189 418	ESS-30X90-ON ¹⁾


1) Free of copper, PTFE and silicone

Suction cups, complete ESS/suction cups ESV, bell-shaped



Technical data

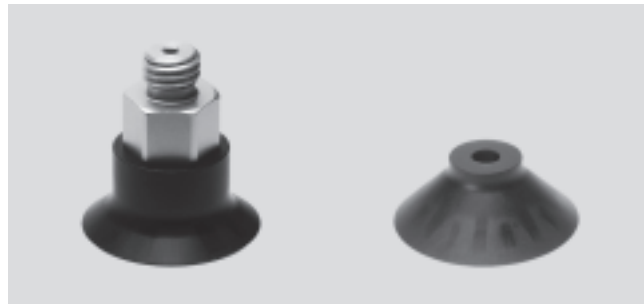
ESS-...-GT-...
ESV-...-GT

-  - Temperature range
-10 ... +80 °C

Function



-  - Diameter
30 ... 100 mm



General technical data								
Suction cup \varnothing [mm]	Suction cup holder fits	Mounting thread	Breakaway force at -0.7 bar [N]	Min. radius R ¹⁾ of workpiece [mm]	Volume [cm ³]	Weight		
						ESS [g]	ESV [g]	
30	Size 4	M6x1	36	26	2.3	12	4.2	
	Size 5	M10x1.5				13		
	-	G $\frac{3}{8}$ -I female thread				14		
	-	G $\frac{3}{8}$ male thread				13		
40	Size 4	M6x1	64	35	5.1	14	5.7	
	Size 5	M10x1.5				15		
	-	G $\frac{3}{4}$ -I female thread				5.4		14.5
	-	G $\frac{3}{4}$ male thread				5.1		16
50	Size 4	M6x1	97	40	11.2	17	9.2	
	Size 5	M10x1.5				18		
	-	G $\frac{3}{4}$ -I female thread				11.5		18
	-	G $\frac{3}{4}$ male thread				11.2		21
60	Size 5	M10x1.5	134	75	12.3	20	10.7	
	-	G $\frac{3}{4}$ -I female thread				19.5		
	-	G $\frac{3}{4}$ male thread				21		
80	Size 5	M10x1.5	245	100	28.0	28	30.9	
	-	G $\frac{3}{4}$ -I female thread				61		
	-	G $\frac{3}{4}$ male thread				60		
100	Size 5	M10x1.5	375	135	53.2	86.5	58.9	
	-	G $\frac{3}{4}$ -I female thread				89.5		
	-	G $\frac{3}{4}$ male thread				87.5		

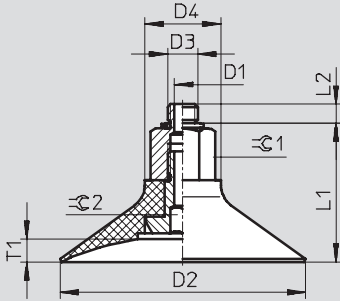
1) Minimum arc radius of the workpiece to be gripped

Suction cups, complete ESS/suction cups ESV, bell-shaped

Technical data



Dimensions



Type	D1 ∅ ND	D2 ∅	D3	D4 ∅	L1	L2	T1	⊘ 1	⊘ 2		
ESS-30-GT	2.5	30	M6	20	27.55	3.45	3.5	15	4		
ESS-30-GT-I			M10		27.8	6.2		17			
			G $\frac{1}{8}$			4.7		15			
ESS-40-GT	2.5	40	M6	20	29.55	3.45	5.5	15	4		
ESS-40-GT-I			M10		29.8	6.2		17			
			G $\frac{1}{4}$		30.2	5.8		42.2		-	
ESS-50-GT	2.5	50	M6	20	32.05	3.45	8	15	4		
ESS-50-GT-I			M10		32.3	6.2		17			
			G $\frac{1}{4}$		32.7	5.8		44.7		-	
ESS-60-GT	5.5	60	M10	20	34.3	6.2	6	17	4		
ESS-60-GT-I			G $\frac{1}{4}$		34.7	5.8				45.7	-
			G $\frac{1}{4}$								
ESS-80-GT	5.5	80	M10	25	43.3	6.2	7.5	22	8		
ESS-80-GT-I			G $\frac{1}{4}$			5.8					
			G $\frac{1}{4}$		54.7	-					
ESS-100-GT	5.5	100	M10	25	47.8	6.2	9	22	8		
ESS-100-GT-I			G $\frac{1}{4}$		48.2	5.8					
			G $\frac{1}{4}$		59.2	-					

Suction cups, complete ESS/suction cups ESV, bell-shaped

FESTO

Technical data

Ordering data					
Suction cup ∅ [mm]	Connection	ESS		ESV	
		Part No.	Type	Part No.	Type
30	M6	525 968	ESS-30-GT-M6 ¹⁾	–	–
	M10	525 969	ESS-30-GT-M10 ¹⁾	–	–
	G $\frac{1}{8}$ female thread	525 970	ESS-30-GT-G $\frac{1}{8}$ -I ¹⁾	–	–
	G $\frac{1}{8}$	525 971	ESS-30-GT-G $\frac{1}{8}$ ¹⁾	–	–
	–	–	–	526 000	ESV-30-GT ¹⁾
40	M6	525 972	ESS-40-GT-M6 ¹⁾	–	–
	M10	525 973	ESS-40-GT-M10 ¹⁾	–	–
	G $\frac{1}{4}$ female thread	525 974	ESS-40-GT-G $\frac{1}{4}$ -I ¹⁾	–	–
	G $\frac{1}{4}$	525 975	ESS-40-GT-G $\frac{1}{4}$ ¹⁾	–	–
	–	–	–	526 001	ESV-40-GT ¹⁾
50	M6	525 976	ESS-50-GT-M6 ¹⁾	–	–
	M10	525 977	ESS-50-GT-M10 ¹⁾	–	–
	G $\frac{1}{4}$ female thread	525 978	ESS-50-GT-G $\frac{1}{4}$ -I ¹⁾	–	–
	G $\frac{1}{4}$	525 979	ESS-50-GT-G $\frac{1}{4}$ ¹⁾	–	–
	–	–	–	526 002	ESV-50-GT ¹⁾
60	M10	525 980	ESS-60-GT-M10 ¹⁾	–	–
	G $\frac{1}{4}$ female thread	525 981	ESS-60-GT-G $\frac{1}{4}$ -I ¹⁾	–	–
	G $\frac{1}{4}$	525 982	ESS-60-GT-G $\frac{1}{4}$ ¹⁾	–	–
	–	–	–	526 003	ESV-60-GT ¹⁾
80	M10	525 983	ESS-80-GT-M10 ¹⁾	–	–
	G $\frac{1}{4}$ female thread	525 984	ESS-80-GT-G $\frac{1}{4}$ -I ¹⁾	–	–
	G $\frac{1}{4}$	525 985	ESS-80-GT-G $\frac{1}{4}$ ¹⁾	–	–
	–	–	–	526 004	ESV-80-GT ¹⁾
100	M10	525 986	ESS-100-GT-M10 ¹⁾	–	–
	G $\frac{1}{4}$ female thread	525 987	ESS-100-GT-G $\frac{1}{4}$ -I ¹⁾	–	–
	G $\frac{1}{4}$	525 988	ESS-100-GT-G $\frac{1}{4}$ ¹⁾	–	–
	–	–	–	526 005	ESV-100-GT ¹⁾

1) Free of copper, PTFE and silicone