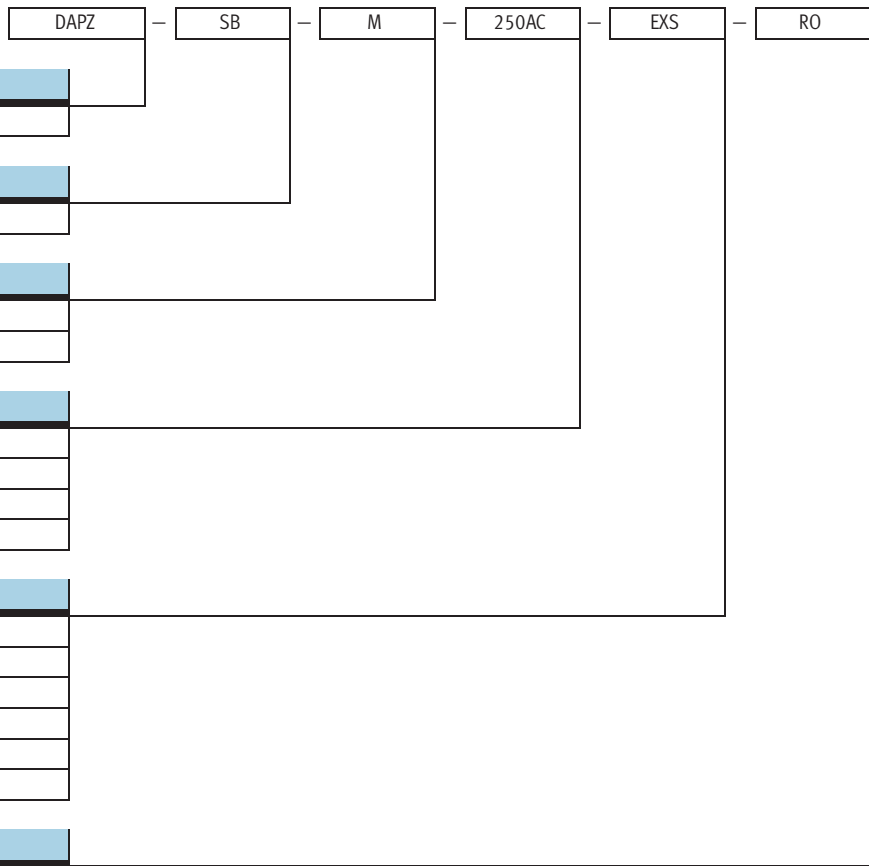


# Limit switch attachments DAPZ

Type codes



**Type**

DAPZ	Limit switch attachment
------	-------------------------

**Specification**

SB	Sensor box
----	------------

**Measuring principle**

I	Inductive
M	Electrical, micro switch

**Operating voltage**

25DC	25 V DC
30DC	30 V DC
36DC	36 V DC
250AC	250 V AC

**Design**

EX	Explosion-proof
D	Display
S	Square design
R	Round design
A	AS-interface connection
M	Solenoid plug

**Variant**

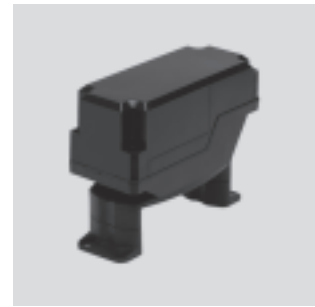
RO	Foot height fixed
AR	Foot height adjustable

# Limit switch attachments DAPZ, square design

Technical data



- Drive interface to Namur VDI/VDE 3845
- Simple and quick assembly and connection
- Integrated solenoid valve actuation
- DAPZ-SB-I-... with AS-interface



Actuators

1.0

General technical data			
Sensing type	Mechanical		Contactless
Variant	Basic version	Explosion-proof	Basic version
Measuring principle	Electrical	Electrical	Inductive
Operating voltage range	[V AC]	0 ... 250	–
	[V DC]	–	10 ... 30
Max. switching capacity	16 A, 250 V AC	16 A, 250 V AC	–
Switching element function	Changeover switch	Changeover switch	Normally closed contact
Electrical connection	M20x1.5	M20x1.5	AS-interface flat cable plug
Display	Yes	No	Yes
Ambient temperature [°C]	–25 ... +85	–25 ... +85	–25 ... +85
Protection class	Housing IP65	Housing IP65	Housing IP65
ATEX symbol	–	II 2 G EEx ed IIC T6	–
ATEX ambient temperature	–	–20°C ≤ Ta ≤ +60°C	–
CE marking symbol (see conformity declaration)	As per EU low voltage directive	As per EU explosion protection directive (ATEX)	–
Corrosion resistance class CRC <sup>1)</sup>	2	2	2

1) Corrosion resistance class 2 according to Festo standard 940 070  
 Components requiring moderate corrosion resistance. Externally visible parts with primarily decorative surface requirements which are in direct contact with a normal industrial environment or media such as coolants or lubricating agents

Materials			
Sensing type	Mechanical		Contactless
Variant	Basic version	Explosion-proof	Basic version
Housing socket	Polyamide, black	Polyamide, black	Polyamide, black
Housing cover	Polycarbonate, transparent	Polyamide, black	Polycarbonate, transparent
Seal	Silicone, ethylene propylene rubber or nitrile rubber	Ethylene propylene rubber	Silicone, ethylene propylene rubber or nitrile rubber

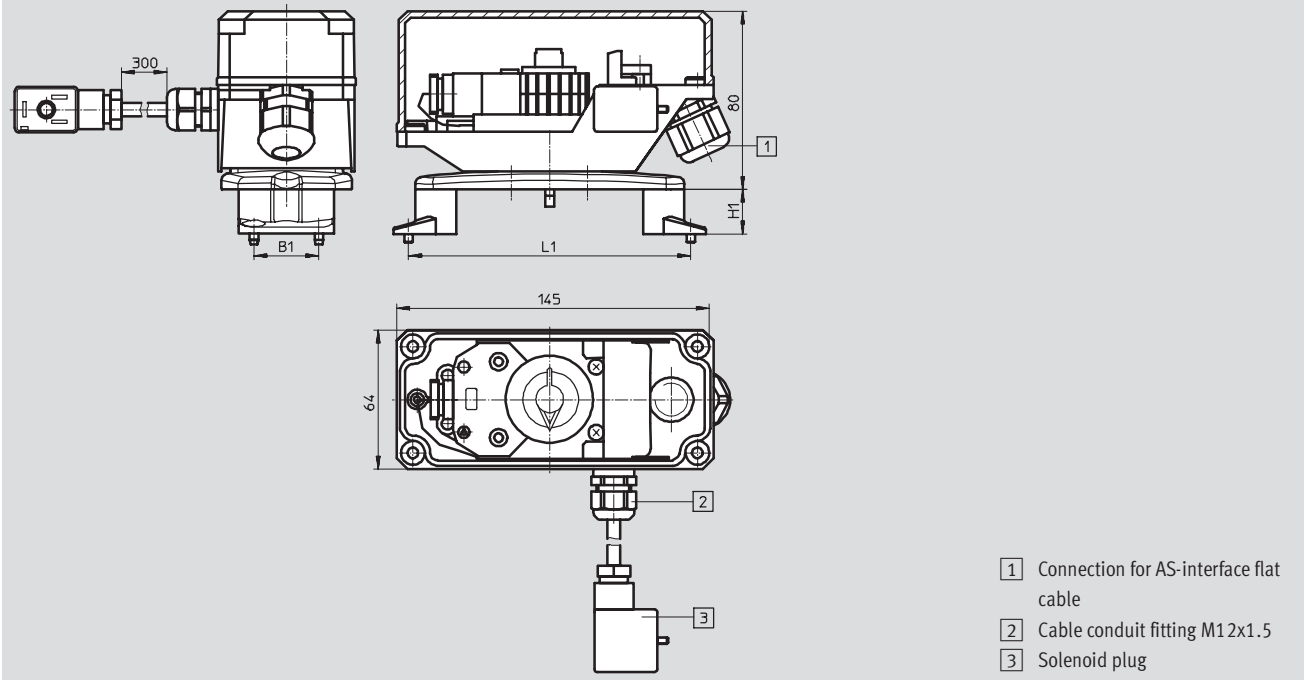
# Limit switch attachments DAPZ, square design

Technical data

FESTO

## Dimensions

Download CAD data → [www.festo.com/en/engineering](http://www.festo.com/en/engineering)



	B1	L1	H1
<b>Feet mounted inwards</b>			
Foot 20	30	80	20
Foot 30	30	80	30
Foot 50 (order accessories separately)	30	80	50
<b>Feet mounted outwards</b>			
Foot 20	30	130	20
Foot 30	30	130	30
Foot 50 (order accessories separately)	30	130	50
<b>Mounting with adapter (order accessories separately)</b>			→ 7 / 1.0-94
DAPZ-SBZ-K0-RO	25	50	20
DAPZ-SBZ-K3-RO	30	150	30

<b>Ordering data</b>					
Sensing type	Variant	Measuring principle	Operating voltage	Part No.	Type
Mechanical	Basic version	Electrical	250 V AC	534 468	DAPZ-SB-M-250AC-DSM-RO
Mechanical	Explosion-proof	Electrical	250 V AC	534 470	DAPZ-SB-M-250AC-EXS-RO
Contactless	Basic version	Inductive	30 V DC	534 473	DAPZ-SB-I-30DC-DSAM-RO

# Limit switch attachments DAPZ, round design, variant RO

Technical data



- Drive interface to Namur VDI/VDE 3845
- Simple and quick assembly and connection
- Integrated solenoid valve actuation



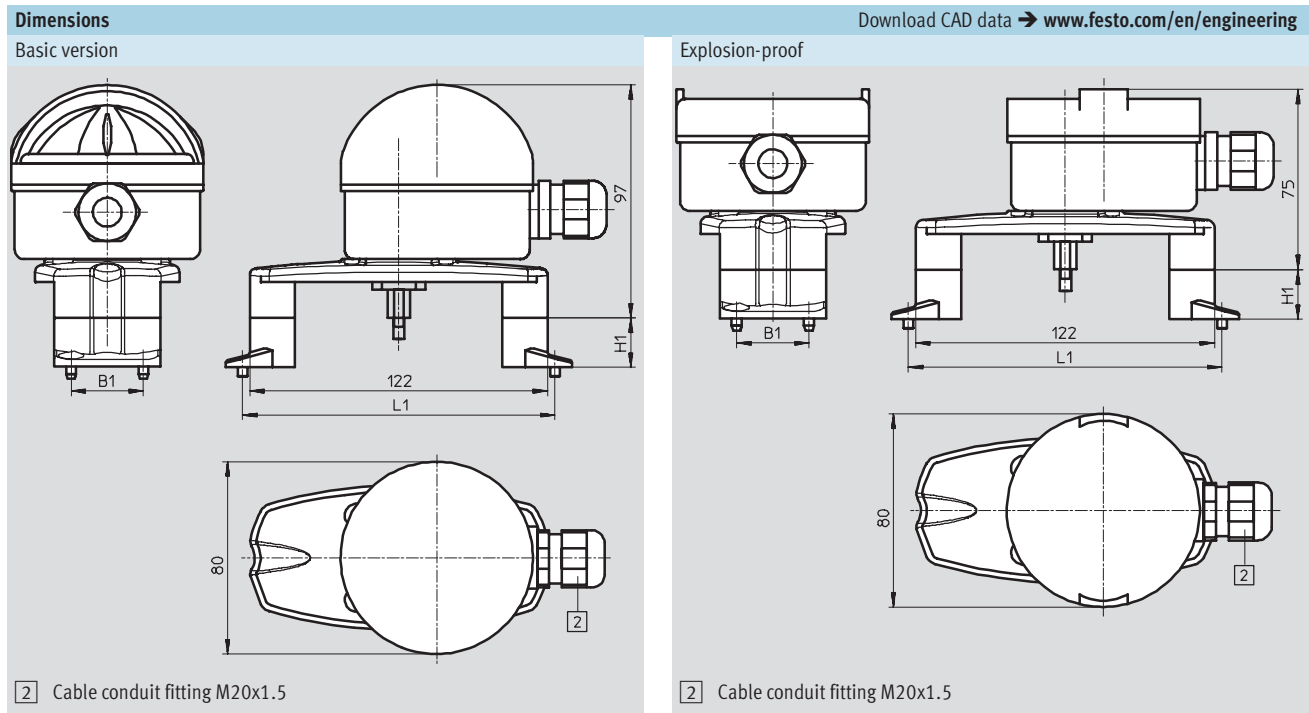
General technical data			
Sensing type	Mechanical	Contactless	
Variant	Basic version	Basic version	Explosion-proof
Measuring principle	Electrical	Inductive	Inductive
Operating voltage range	[V AC]	0 ... 250	–
	[V DC]	–	10 ... 30
Max. switching capacity	16 A, 250 V AC	–	–
Switching element function	Changeover switch	NO contact, PNP	NC contact, Namur
Electrical connection	M20x1.5	M20x1.5	M20x1.5
Display	Yes	Yes	No
Ambient temperature [°C]	–25 ... +100	–25 ... +70	–25 ... +70
Protection class	Housing IP65	Housing IP65	Housing IP65
ATEX symbol	–	–	II 2 G EEx ia IIc T6
ATEX ambient temperature	–	–	–25°C ≤ Ta ≤ +70°C
CE marking symbol (see conformity declaration)	As per EU low voltage directive	–	As per EU explosion protection directive (ATEX)
Corrosion resistance class CRC <sup>1)</sup>	2	2	2

1) Corrosion resistance class 2 according to Festo standard 940 070  
 Components requiring moderate corrosion resistance. Externally visible parts with primarily decorative surface requirements which are in direct contact with a normal industrial environment or media such as coolants or lubricating agents

Materials			
Sensing type	Mechanical	Contactless	
Variant	Basic version	Basic version	Explosion-proof
Housing socket	Polyamide, black	Polyamide, black	Polyamide, black
Housing cover	Polycarbonate, transparent	Polycarbonate, transparent	Polyamide, black
Seal	Silicone, ethylene propylene rubber or nitrile rubber	Silicone, ethylene propylene rubber or nitrile rubber	Silicone, ethylene propylene rubber or nitrile rubber

# Limit switch attachments DAPZ, round design, variant RO

Technical data



	B1	L1	H1
<b>Feet mounted inwards</b>			
Foot 20	30	80	20
Foot 30	30	80	30
Foot 50 (order accessories separately)	30	80	50
<b>Feet mounted outwards</b>			
Foot 20	30	130	20
Foot 30	30	130	30
Foot 50 (order accessories separately)	30	130	50
<b>Mounting with adapter (order accessories separately)</b>			→ 7 / 1.0-94
DAPZ-SBZ-K0-RO	25	50	20
DAPZ-SBZ-K3-RO	30	150	30

<b>Ordering data</b>					
Sensing type	Variant	Measuring principle	Operating voltage	Part No.	Type
Mechanical	Basic version	Electrical	250 V AC	534 469	DAPZ-SB-M-250AC-DR-RO
Contactless	Basic version	Inductive	30 V DC	534 471	DAPZ-SB-I-30DC-DR-RO
Contactless	Explosion-proof	Inductive	25 V DC	534 472	DAPZ-SB-I-25DC-R-RO

# Limit switch attachments DAPZ, round design, variant AR

Technical data



- Drive interface to Namur VDI/VDE 3845
- Simple and quick assembly and connection
- Integrated solenoid valve actuation



Actuators

1.0

General technical data			
Sensing type	Mechanical	Contactless	
Variant	Basic version	Basic version	Explosion-proof
Measuring principle	Electrical	Inductive	Inductive
Operating voltage range	[V AC]	4 ... 250	–
	[V DC]	–	10 ... 36
Power range	1 mA ... 5 A	–	8 ... 30
Switching element function	Changeover switch	NO contact, PNP	NO contact, Namur
Electrical connection	M20x1.5	M20x1.5	M20x1.5
Display	Yes	Yes	Yes
Ambient temperature [°C]	–20 ... +70	–20 ... +70	–20 ... +70
Protection class	Housing IP67	Housing IP67	Housing IP67
Protection against short circuit	–	Pulsed	–
ATEX symbol	–	–	II 2 G EEx ia IIb T6
ATEX ambient temperature	–	–	–20°C ≤ Ta ≤ +70°C
CE marking symbol (see conformity declaration)	As per EU low voltage directive	–	As per EU explosion protection directive (ATEX)
Corrosion resistance class CRC <sup>1)</sup>	2	2	2

1) Corrosion resistance class 2 according to Festo standard 940 070  
 Components requiring moderate corrosion resistance. Externally visible parts with primarily decorative surface requirements which are in direct contact with a normal industrial environment or media such as coolants or lubricating agents

Materials			
Sensing type	Mechanical	Contactless	
Variant	Basic version	Basic version	Explosion-proof
Housing socket	Acrylic butadiene styrene	Acrylic butadiene styrene	Acrylic butadiene styrene
Housing cover	Polycarbonate, transparent	Polycarbonate, transparent	Polycarbonate, transparent
Seal	Nitrile rubber	Nitrile rubber	Nitrile rubber

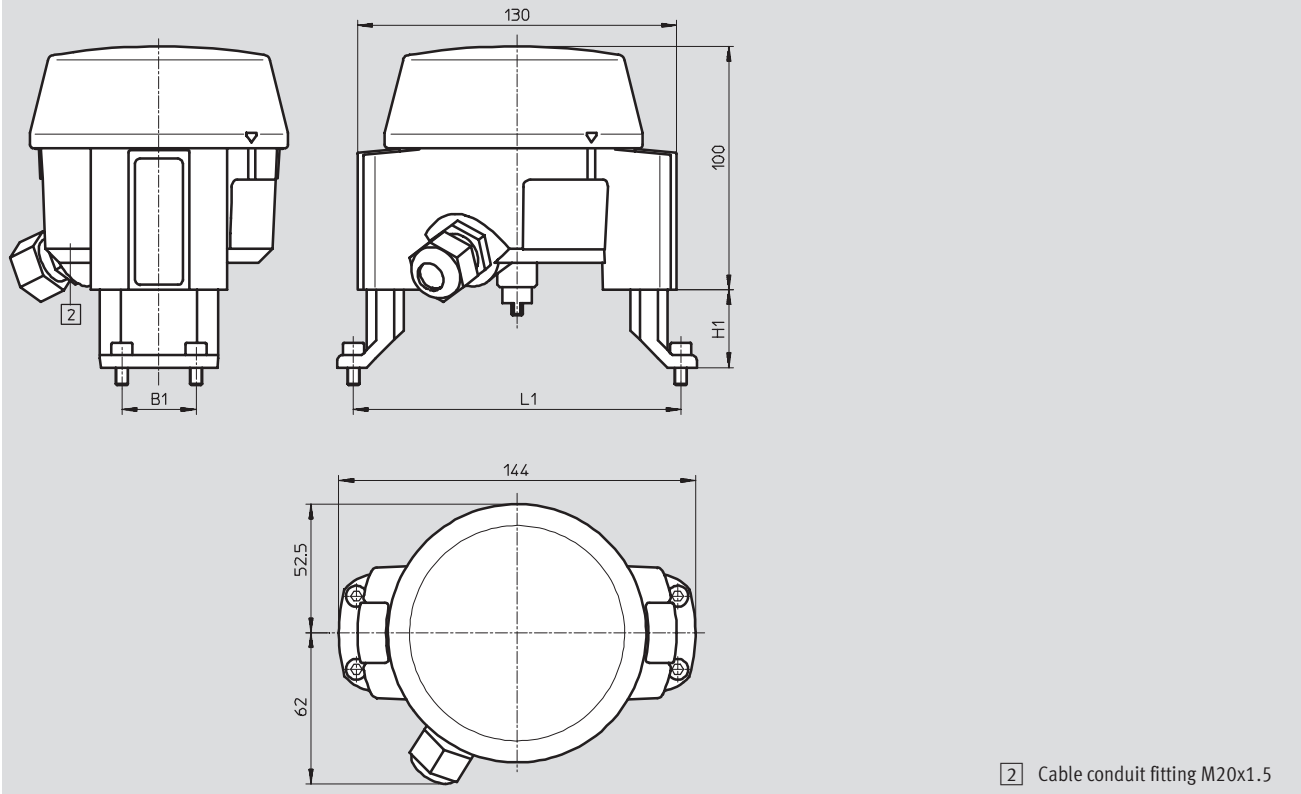
# Limit switch attachments DAPZ, round design, variant AR

Technical data

FESTO

## Dimensions

Download CAD data → [www.festo.com/en/engineering](http://www.festo.com/en/engineering)



	B1	L1	H1
<b>Feet mounted inwards</b>			
Foot height adjustable	30	80	20, 30, 50
<b>Feet mounted outwards</b>			
Foot height adjustable	30	130	20, 30, 50

<b>Ordering data</b>					
Sensing type	Variant	Measuring principle	Operating voltage	Part No.	Type
Mechanical	Basic version	Electrical	250 V AC	534 474	DAPZ-SB-M-250AC-DR-AR
Contactless	Basic version	Inductive	36 V DC	534 475	DAPZ-SB-I-36DC-DR-AR
Contactless	Explosion-proof	Inductive	25 V DC	534 476	DAPZ-SB-I-25DC-EXDR-AR

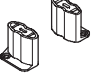
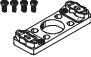
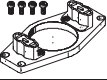


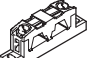




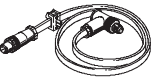
# Limit switch attachments DAPZ

Accessories



Actuators

1.0

Ordering data			
	Brief description	Part No.	Type
<b>Foot</b>			
	Kit for limit switch attachment DAPZ-...-RO Shaft height 50 mm, port pattern 130 x 30 mm	534 477	DAPZ-SBZ-F50-RO
<b>Adapter for foot mounting</b>			
	Kit for limit switch attachment DAPZ-...-RO on the quarter turn actuator DRD/DRE sizes 1 and 2 Foot connection L50 x B25 x H20 mm	534 478	DAPZ-SBZ-K0-RO
	Kit for limit switch attachment DAPZ-...-RO on the quarter turn actuator DRD/DRE sizes 375 ... 880 Foot connection L150 x B30 x H30 mm	534 479	DAPZ-SBZ-K3-RO
<b>Bus connection</b>			
	Flat cable for AS-interface components, yellow, 100 m	18 940	KASI-1,5-Y-100
	Cable distributor for flat cable, cable parallel, rotatable	18 786	ASI-KVT-FK
	Cable distributor for flat cables, cables symmetrical	18 797	ASI-KVT-FK-S
	Cable cap for flat cable (50 included in scope of delivery)	18 787	ASI-KK-FK
	Cable sleeve (20 included in scope of delivery)	165 593	ASI-KT-FK
<b>Other</b>			
	Combi power pack for AS-interface	191 082	ASI-CNT-115/230-VAC-B
	Addressing device for AS-interface stations	18 959	ASI-PRG-ADR
	Addressing cable for addressing device	18 960	KASI-ADR