



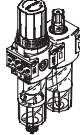


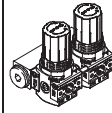
- Basic functions at an attractive price
- Compatible with components of the D series of service units in metal
- Award-winning design suitable for modern systems
- Sturdy connection technology
- High reliability and long service life



# Service units, D series, polymer

Product range overview



Type	Size	Pneumatic connection			Pressure regulation range [bar]	Grade of filtration [µm]		
		G <sup>1</sup> / <sub>8</sub>	G <sup>1</sup> / <sub>4</sub>	G <sup>1</sup> / <sub>2</sub>		5	40	
<b>Service units</b>								
FRC		Mini	■	■	-	■	■	■
<b>Individual devices</b>								
Filter regulators LFR		Mini	■	■	-	■	■	■
Pressure regulators LR		Mini	■	■	-	■	-	-
Pressure regulator combinations LRB-K		Mini	-	-	■	■	-	-

# Service units, D series, polymer

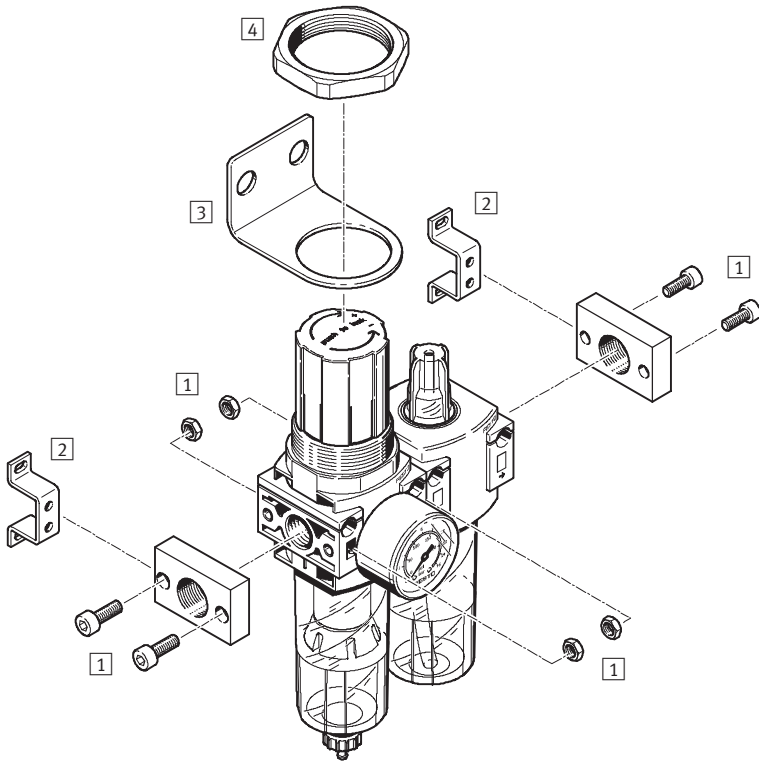
Product range overview



Type	Size	Condensate drain		Pressure display		Actuator lock	Regulating functions		→ Page
		Manual rotary	Semi-automatic	With pressure gauge	Without pressure gauge		With secondary venting	With return flow function	
<b>Service units</b>									
FRC	Mini	■	■	■	-	■	■	■	3 / 1.9-4
<b>Individual devices</b>									
Filter regulators LFR	Mini	■	■	■	■	■	■	■	3 / 1.9-10
Pressure regulators LR	Mini	-	-	■	■	■	■	■	3 / 1.9-16
Pressure regulator combinations LRB-K	Mini	-	-	-	■	■	■	■	3 / 1.9-21

# Service units FRC, D series, polymer

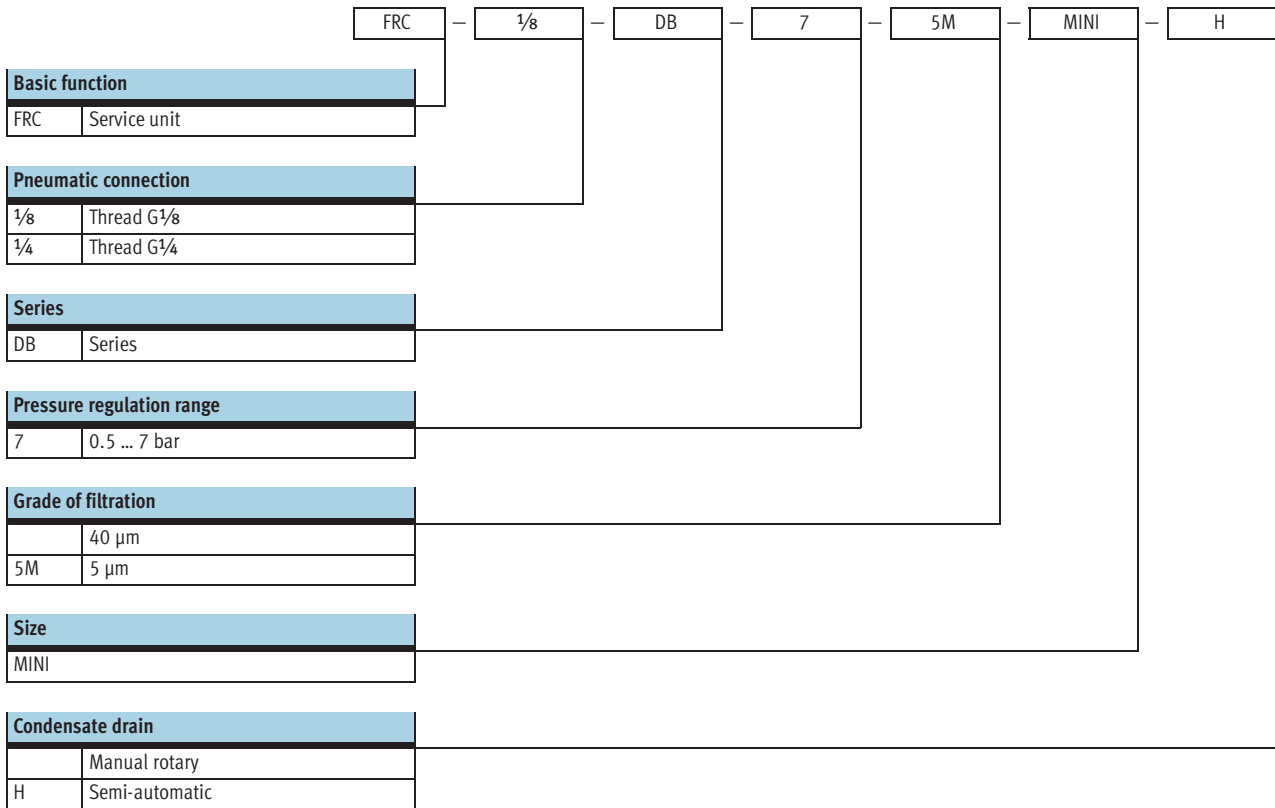
Peripherals overview



Mounting attachments and accessories		→ Page
1	Connecting plate kit PBL	3 / 1.9-28
2	Mounting bracket HFOE	3 / 1.9-29
3	Mounting bracket HR-D	3 / 1.9-28
4	Hex nut HMR	3 / 1.9-28

# Service units FRC, D series, polymer

Type codes



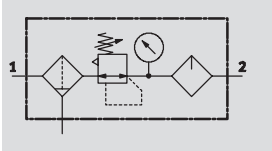
# Service units FRC, D series, polymer

Technical data

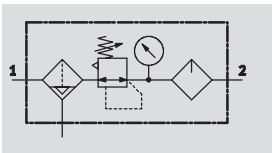


Function

Condensate drain  
manual rotary



semi-automatic



- - Flow rate  
400 ... 650 l/min
- - Temperature range  
-5 ... +50 °C
- - Input pressure  
1.5 ... 10 bar



- Filter, regulator and lubricator functions in a single unit
- High flow rate and highly efficient removal of contaminants
- Good regulating characteristics with minimal pressure hysteresis
- Setting values are secured by means of the rotary knob with detent
- With manual or semi-automatic condensate drain

The following oils are recommended for Festo components:

Viscosity range to  
ISO 3448 class VG 32  
32 mm<sup>2</sup>/s (cSt) at 40 °C

- Festo special oil  
→ 3 / 1.9-9
- ARAL Vitam GF 32
- BP Energol HLP 32
- Esso Nuto H 32
- Mobil DTE 24
- Shell Tellus Oil DO 32

General technical data	
Size	Mini
Pneumatic connection	G $\frac{1}{8}$   G $\frac{1}{4}$
Operating medium	Compressed air
Design	Filter/regulator/lubricator
Regulating function	With return flow function With secondary venting
Type of mounting	Inline installation Via through-holes Via mounting bracket
Assembly position	Vertical $\pm 5^\circ$
Grade of filtration [µm]	5 or 40
Max. hysteresis [bar]	0.5
Input pressure [bar]	1.5 ... 10
Pressure regulation range [bar]	0.5 ... 7
Pressure indication	Via pressure gauge
Pressure gauge connection	G $\frac{1}{8}$

Standard nominal flow rate <sup>1)</sup> qnN [l/min]	
Pneumatic connection	G $\frac{1}{8}$   G $\frac{1}{4}$
Mini	
Grade of filtration	5 µm   $\geq 400$   $\geq 550$
	40 µm   $\geq 550$   $\geq 650$

1) Measured at p<sub>1</sub> = 10 bar, p<sub>2</sub> = 6 bar and  $\Delta p = 1$  bar.

# Service units FRC, D series, polymer

Technical data

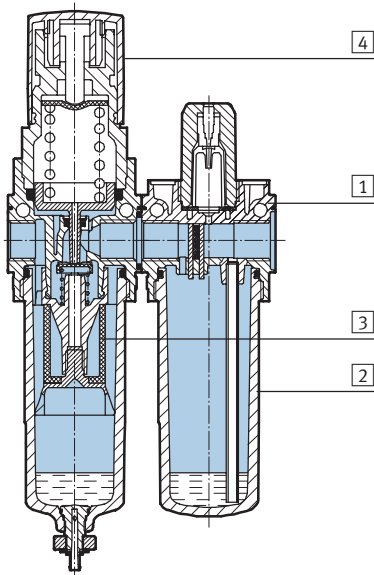
Ambient conditions		
Size	Mini	
Ambient temperature	[°C]	-5 ... +50
Temperature of medium	[°C]	-5 ... +50
Corrosion resistance class	CRC <sup>1)</sup>	1

1) Corrosion resistance class 1 according to Festo standard 940 070  
 Components requiring low corrosion resistance. Transport and storage protection. Parts that do not have primarily decorative surface requirements, e.g. in internal areas that are not visible or behind covers.

Weight [g]	
Size	Mini
Service unit	300

## Materials

Sectional view



Service unit	Mini
1 Housing	Polyamide, reinforced
2 Bowl	Polycarbonate
3 Filter	Polyethylene
4 Rotary knob	Polyacetate
- Seals	Nitrile rubber

# Service units FRC, D series, polymer

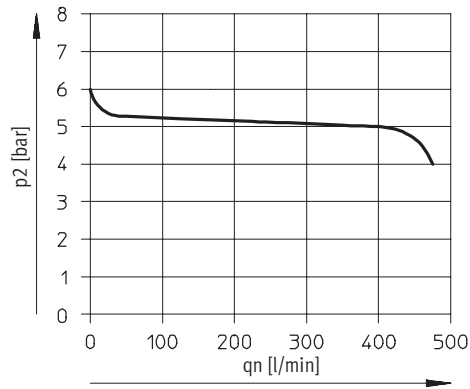
Technical data



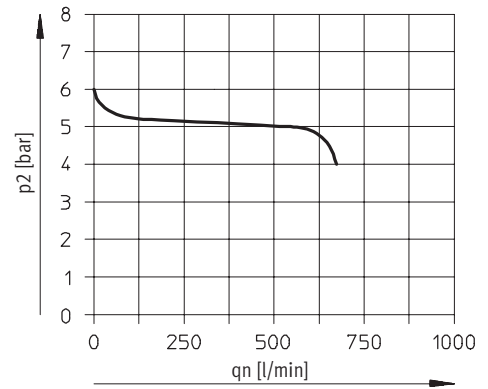
## Standard flow rate $q_n$ as a function of output pressure $p_2$

Pneumatic connection  $G\frac{1}{8}$

Grade of filtration  $5\ \mu\text{m}$

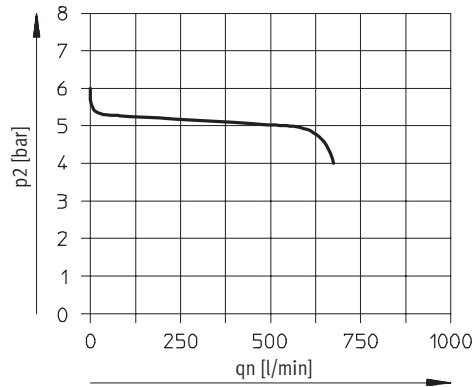


Grade of filtration  $40\ \mu\text{m}$

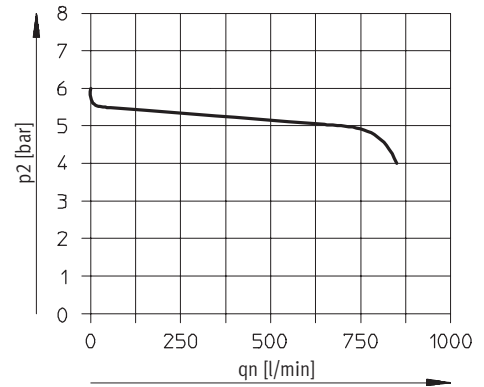


Pneumatic connection  $G\frac{1}{4}$

Grade of filtration  $5\ \mu\text{m}$



Grade of filtration  $40\ \mu\text{m}$

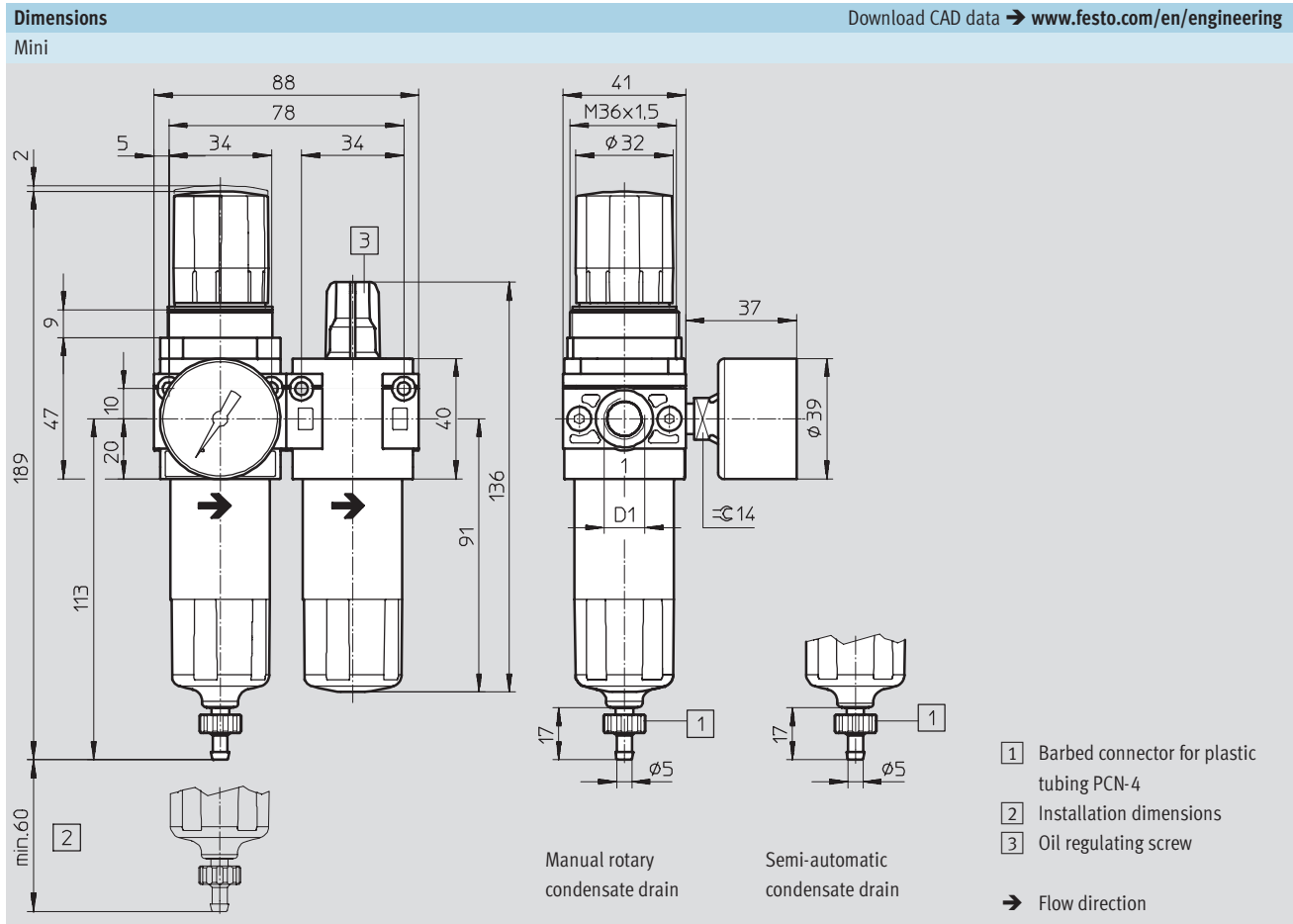


Primary pressure  $p_1 = 10\ \text{bar}$



# Service units FRC, D series, polymer

Technical data



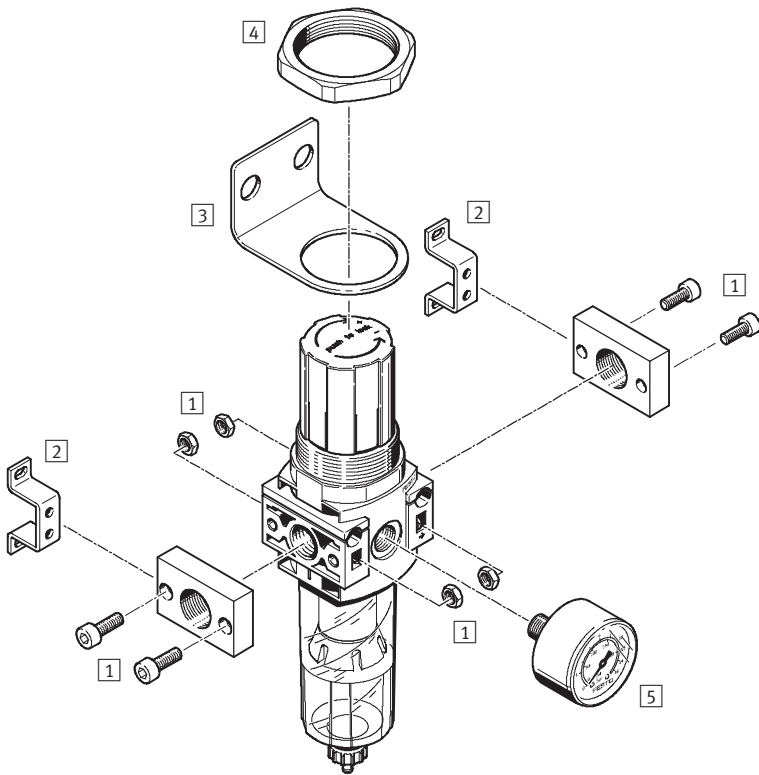
Type	D1
FRC-1/8-DB	G1/8
FRC-1/4-DB	G1/4

Ordering data						
Pressure regulation range 0.5 ... 7 bar						
Condensate drain	Size	Connection	Grade of filtration 5 µm		Grade of filtration 40 µm	
			Part No.	Type	Part No.	Type
With pressure gauge						
Manual rotary	Mini	G1/8	537 659	FRC-1/8-DB-7-5M-MINI	537 655	FRC-1/8-DB-7-MINI
		G1/4	537 658	FRC-1/4-DB-7-5M-MINI	537 654	FRC-1/4-DB-7-MINI
Semi-automatic	Mini	G1/8	537 661	FRC-1/8-DB-7-5M-MINI-H	537 657	FRC-1/8-DB-7-MINI-H
		G1/4	537 660	FRC-1/4-DB-7-5M-MINI-H	537 656	FRC-1/4-DB-7-MINI-H

Ordering data – Special oil			
	Scope of delivery	Part No.	Type
	1 litre	152 811	OFSW-32

# Filter regulators LFR, D series, polymer

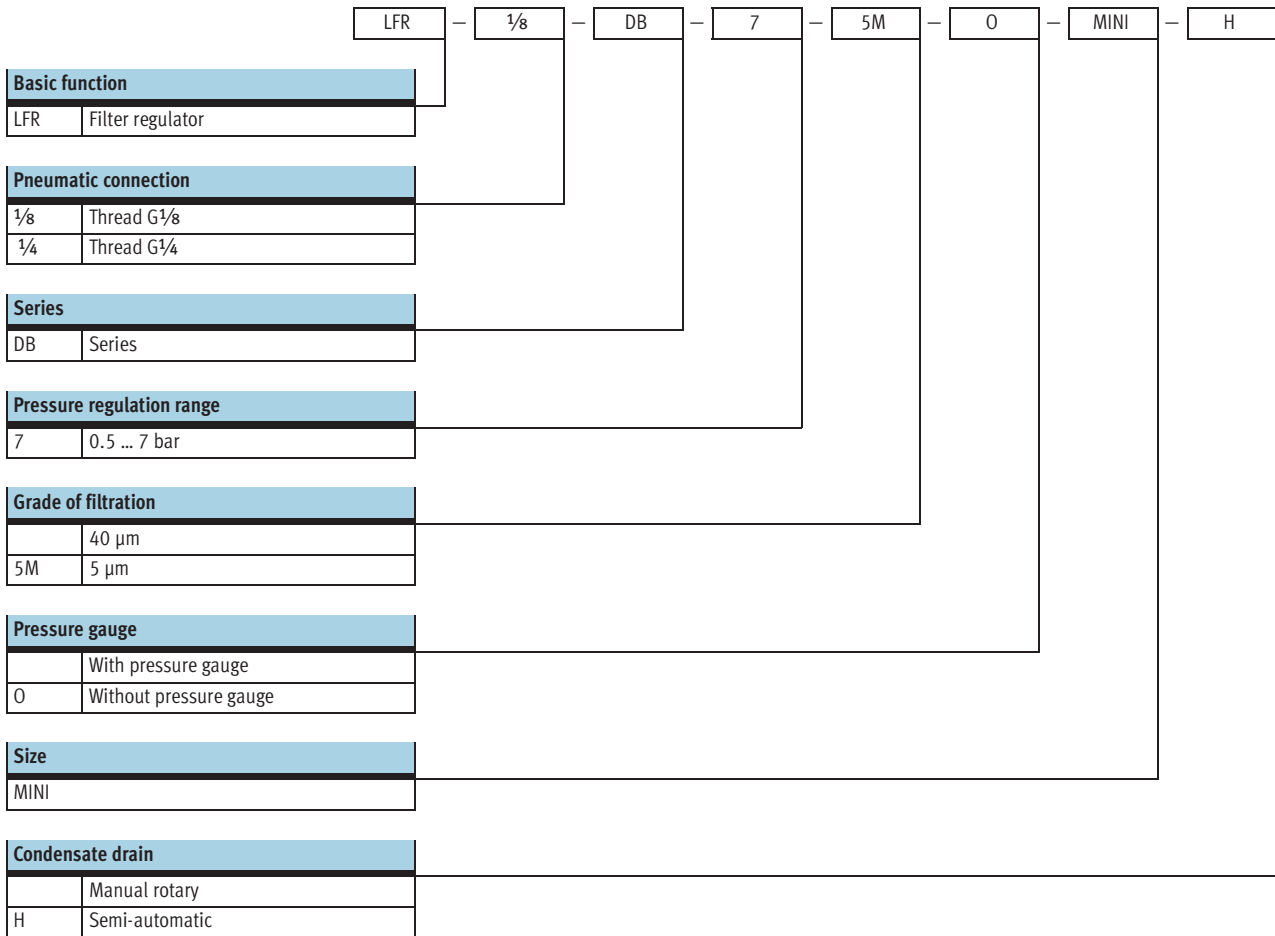
Peripherals overview



Mounting attachments and accessories		→ Page
1	Connecting plate kit PBL	3 / 1.9-28
2	Mounting bracket HFOE	3 / 1.9-29
3	Mounting bracket HR-D	3 / 1.9-28
4	Hex nut HMR	3 / 1.9-28
5	Pressure gauge MA	3 / 1.9-31

# Filter regulators LFR, D series, polymer

Type codes



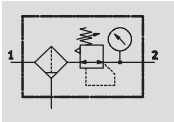
# Filter regulators LFR, D series, polymer

Technical data

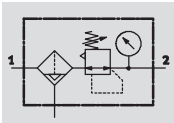


Function

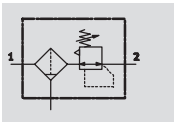
with pressure gauge  
Condensate drain  
manual rotary



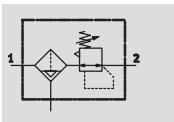
semi-automatic



without pressure gauge  
Condensate drain  
manual rotary



semi-automatic



- - Flow rate  
500 ... 1200 l/min
- - Temperature range  
-5 ... +50 °C
- - Input pressure  
1.5 ... 10 bar



- Space-saving design with filter and regulator in a single unit
- Good particle separation and high flow rate
- Good regulating characteristics with minimal hysteresis
- With manual or semi-automatic condensate drain
- Setting values are secured by locking the rotary knob
- Choice of filter cartridges: 5 µm or 40 µm
- Filter cartridges → 3 / 1.9-33

General technical data				
Size	Mini			
	with pressure gauge		without pressure gauge	
Pneumatic connection	G1/8	G1/4	G1/8	G1/4
Operating medium	Compressed air			
Design	Filter regulator with pressure gauge		Filter regulator without pressure gauge	
Regulating function	With return flow function			
	With secondary venting			
Type of mounting	Inline installation			
	Via through-holes			
	Via mounting bracket			
Assembly position	Vertical ±5°			
Grade of filtration [µm]	5 or 40		5 or 40	
Max. hysteresis [bar]	0.5			
Input pressure [bar]	1.5 ... 10			
Pressure regulation range [bar]	0.5 ... 7			
Pressure indication	Via pressure gauge		G1/8 prepared	
Pressure gauge connection	G1/8			

Standard nominal flow rate <sup>1)</sup> qnN [l/min]				
Pneumatic connection		G1/8		G1/4
Mini				
Grade of filtration	5 µm	≥ 500	≥ 1000	
	40 µm	≥ 700	≥ 1200	

1) Measured at p1 = 10 bar, p2 = 6 bar and Δp = 1 bar.

# Filter regulators LFR, D series, polymer

Technical data

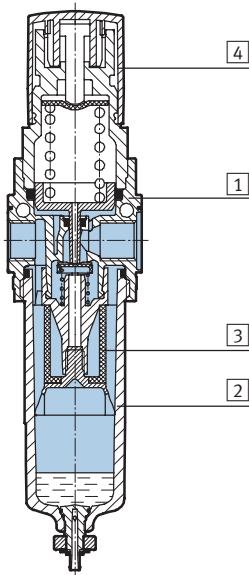
Ambient conditions		
Size	Mini	
Ambient temperature	[°C]	-5 ... +50
Temperature of medium	[°C]	-5 ... +50
Corrosion resistance class	CRC <sup>1)</sup>	1

1) Corrosion resistance class 1 according to Festo standard 940 070  
 Components requiring low corrosion resistance. Transport and storage protection. Parts that do not have primarily decorative surface requirements, e.g. in internal areas that are not visible or behind covers.

Weight [g]	
Size	Mini
Filter regulator	200

## Materials

Sectional view



Filter regulator	Mini
1 Housing	Polyamide, reinforced
2 Bowl	Polycarbonate
3 Filter	Polyethylene
4 Rotary knob	Polyacetate
- Seals	Nitrile rubber

# Filter regulators LFR, D series, polymer

Technical data

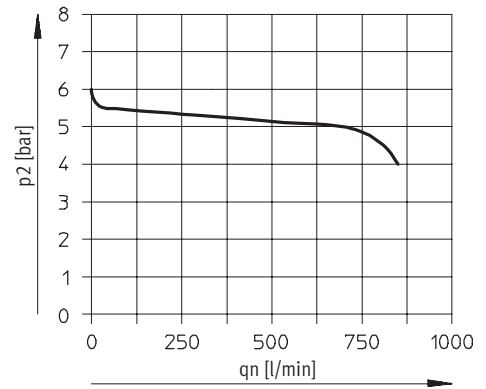
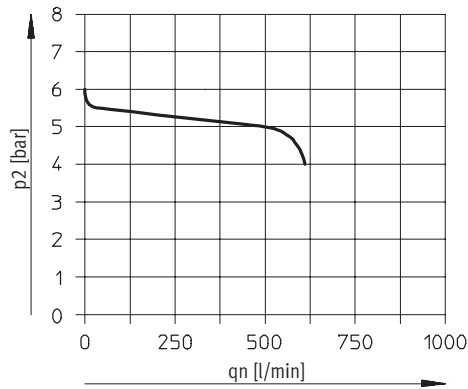


## Standard flow rate $q_n$ as a function of output pressure $p_2$

Pneumatic connection  $G\frac{1}{8}$

Grade of filtration  $5\ \mu\text{m}$

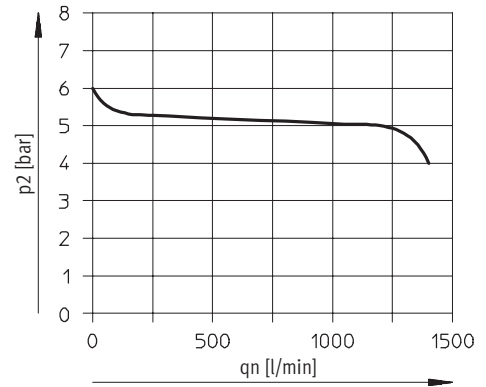
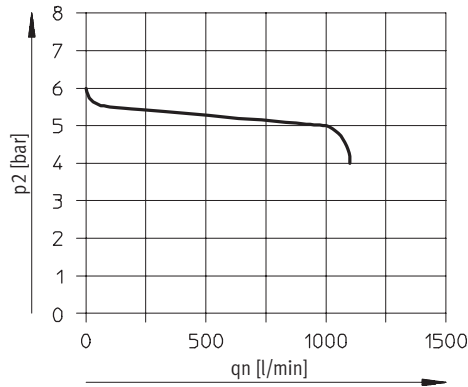
Grade of filtration  $40\ \mu\text{m}$



Pneumatic connection  $G\frac{1}{4}$

Grade of filtration  $5\ \mu\text{m}$

Grade of filtration  $40\ \mu\text{m}$



Primary pressure  $p_1 = 10\ \text{bar}$

# Filter regulators LFR, D series, polymer

Technical data



**Dimensions** Download CAD data → [www.festo.com/en/engineering](http://www.festo.com/en/engineering)

Mini

with pressure gauge

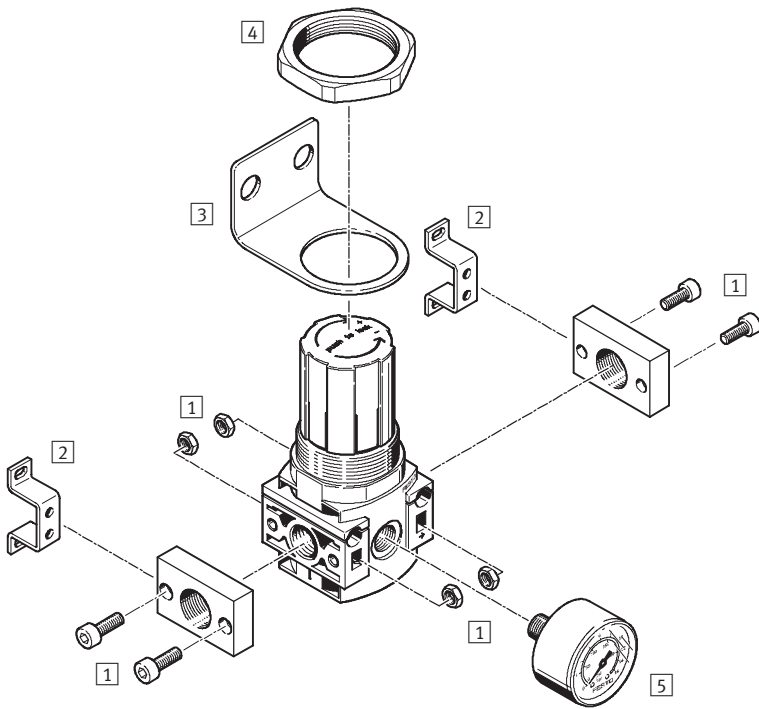
1 Barbed connector for plastic tubing PCN-4      2 Installation dimensions      → Flow direction

Type	D1
LFR-1/8-DB	G1/8
LFR-1/4-DB	G1/4

Ordering data						
Pressure regulation range 0.5 ... 7 bar						
Condensate drain	Size	Connection	Grade of filtration 5 µm		Grade of filtration 40 µm	
			Part No.	Type	Part No.	Type
<b>With pressure gauge</b>						
Manual rotary	Mini	G1/8	539 687	LFR-1/8-DB-7-5M-MINI	539 683	LFR-1/8-DB-7-MINI
		G1/4	539 689	LFR-1/4-DB-7-5M-MINI	539 685	LFR-1/4-DB-7-MINI
Semi-automatic	Mini	G1/8	539 688	LFR-1/8-DB-7-5M-MINI-H	539 684	LFR-1/8-DB-7-MINI-H
		G1/4	539 690	LFR-1/4-DB-7-5M-MINI-H	539 686	LFR-1/4-DB-7-MINI-H
<b>Without pressure gauge</b>						
Manual rotary	Mini	G1/8	537 648	LFR-1/8-DB-7-5M-O-MINI	537 651	LFR-1/8-DB-7-O-MINI
		G1/4	537 644	LFR-1/4-DB-7-5M-O-MINI	537 647	LFR-1/4-DB-7-O-MINI
Semi-automatic	Mini	G1/8	537 650	LFR-1/8-DB-7-5M-O-MINI-H	537 649	LFR-1/8-DB-7-O-MINI-H
		G1/4	537 646	LFR-1/4-DB-7-5M-O-MINI-H	537 645	LFR-1/4-DB-7-O-MINI-H

# Pressure regulators LR, D series, polymer

Peripherals overview

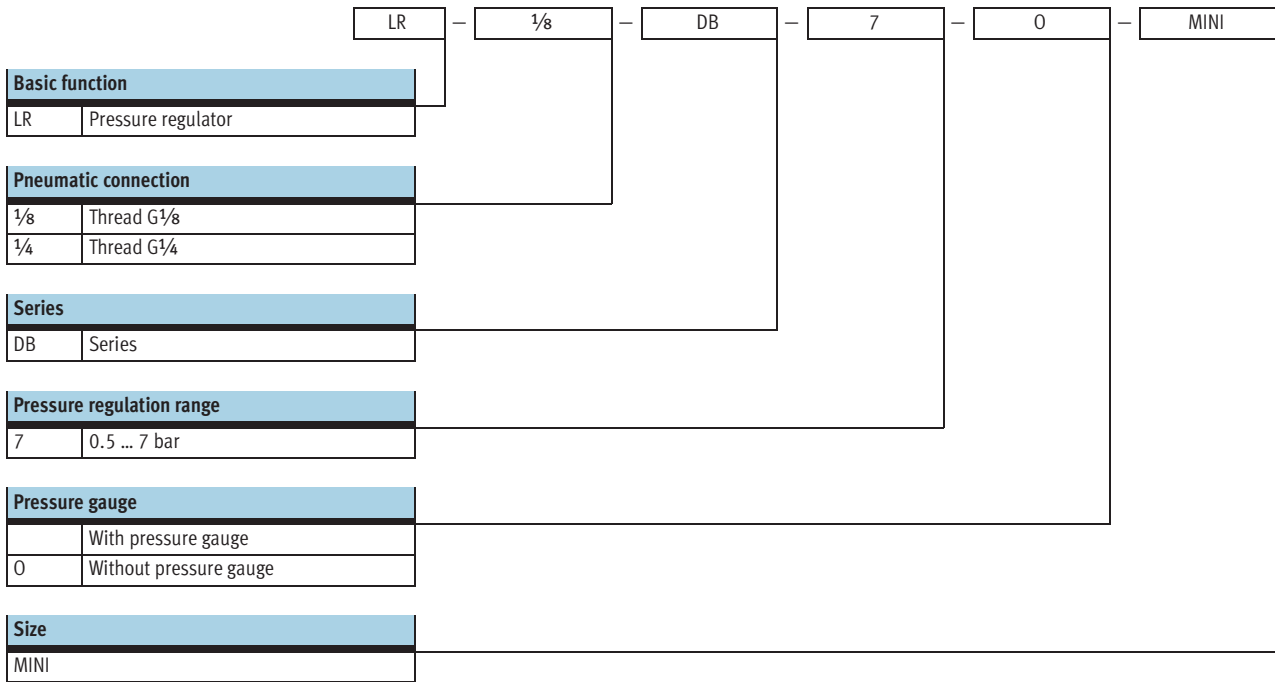


Mounting attachments and accessories		→ Page
1	Connecting plate kit PBL	3 / 1.9-28
2	Mounting bracket HFOE	3 / 1.9-29
3	Mounting bracket HR-D	3 / 1.9-28
4	Hex nut HMR	3 / 1.9-28
5	Pressure gauge MA	3 / 1.9-31



# Pressure regulators LR, D series, polymer

Type codes



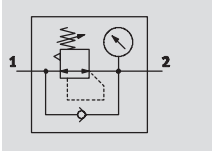
# Pressure regulators LR, D series, polymer

Technical data

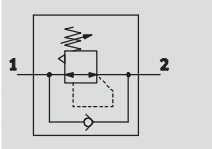
FESTO




Function

with pressure gauge



without pressure gauge



-  - Flow rate  
800 ... 1300 l/min
-  - Temperature range  
-5 ... +50 °C
-  - Input pressure  
1.5 ... 10 bar



- Setting values are secured by locking the rotary knob
- High flow rate
- Good regulating characteristics with minimal pressure hysteresis

General technical data				
Size	Mini			
	With pressure gauge		Without pressure gauge	
Pneumatic connection	G1/8	G1/4	G1/8	G1/4
Operating medium	Compressed air			
Design	Pressure regulator with pressure gauge		Pressure regulator without pressure gauge	
Regulating function	With return flow function			
	With secondary venting			
Type of mounting	Inline installation			
	Via through-holes			
	Via mounting bracket			
	Front panel mounting			
Assembly position	Any			
Max. hysteresis [bar]	0.5			
Input pressure [bar]	1.5 ... 10			
Pressure regulation range [bar]	0.5 ... 7			
Pressure indication	Via pressure gauge		G1/8 prepared	
Pressure gauge connection	G1/8			

Standard nominal flow rate <sup>1)</sup> qnN [l/min]		
Pneumatic connection	G1/8	G1/4
Mini		
Pressure regulation range 0.5 ... 7 bar	≥ 800	≥ 1300

1) Measured at p1 = 10 bar, p2 = 6 bar and Δp = 1 bar.

# Pressure regulators LR, D series, polymer

Technical data

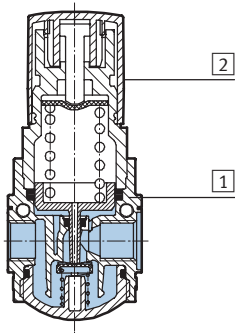
Ambient conditions		
Size	Mini	
Ambient temperature	[°C]	-5 ... +50
Temperature of medium	[°C]	-5 ... +50
Corrosion resistance class	CRC <sup>1)</sup>	1

1) Corrosion resistance class 1 according to Festo standard 940 070  
 Components requiring low corrosion resistance. Transport and storage protection. Parts that do not have primarily decorative surface requirements, e.g. in internal areas that are not visible or behind covers.

Weight [g]	
Size	Mini
Pressure regulator	150

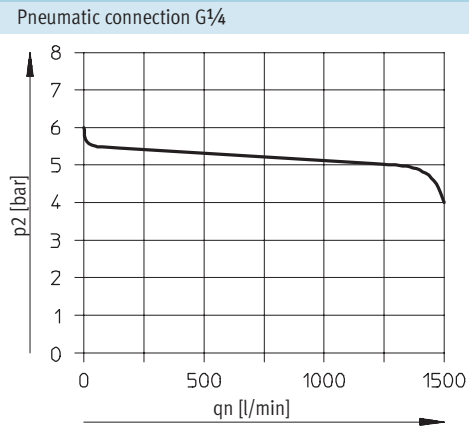
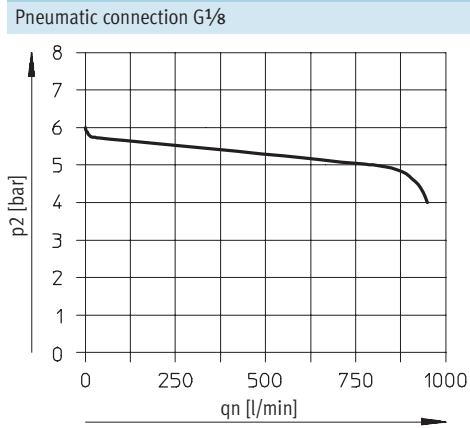
## Materials

Sectional view



Pressure regulator	Mini
1) Housing	Polyamide, reinforced
2) Rotary knob	Polyacetate
- Seals	Nitrile rubber

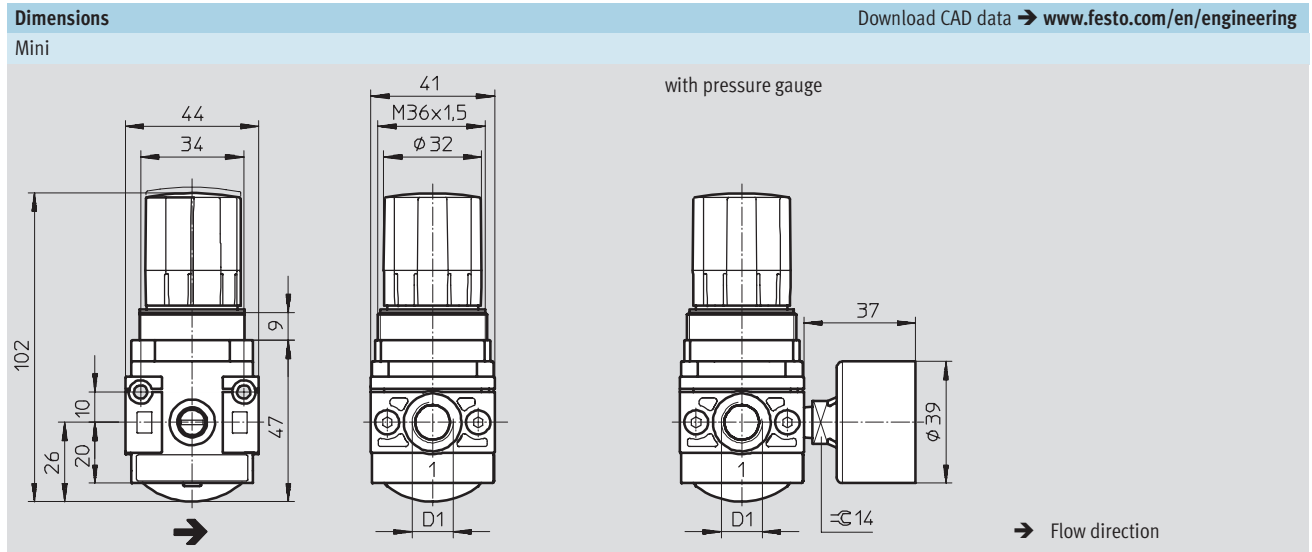
## Standard flow rate qn as a function of output pressure p2



Primary pressure p1 = 10 bar

# Pressure regulators LR, D series, polymer

Technical data



Type	D1
Mini	
LR-1/8-DB	G1/8
LR-1/4-DB	G1/4

Ordering data			
Size	Connection	Pressure regulation range 0.5 ... 7 bar	
		Part No.	Type
<b>With pressure gauge</b>			
Mini	G1/8	<b>539 681</b>	<b>LR-1/8-DB-7-MINI</b>
	G1/4	<b>539 682</b>	<b>LR-1/4-DB-7-MINI</b>
<b>Without pressure gauge</b>			
Mini	G1/8	<b>537 642</b>	<b>LR-1/8-DB-7-O-MINI</b>
	G1/4	<b>537 643</b>	<b>LR-1/4-DB-7-O-MINI</b>

# Pressure regulator combinations LRB-K, D series, polymer

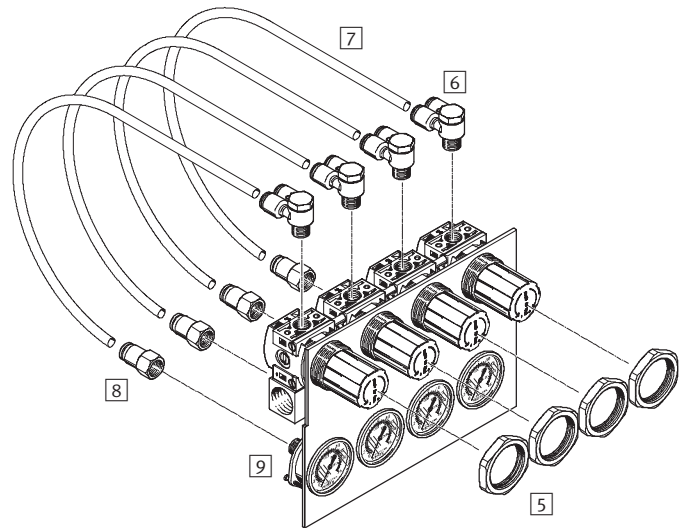
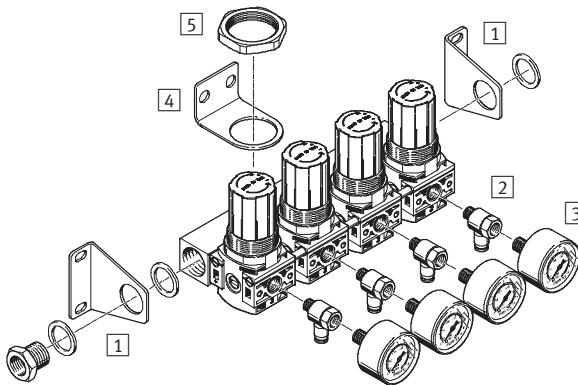
Peripherals overview



## Mini

With mounting bracket

Front panel mounting



Mounting attachments and accessories			
	With mounting bracket	Front panel mounting	→ Page
1 Mounting bracket kit HRBS-DB-MINI	■	-	3 / 1.9-29
2 Push-in T-fitting QSTF	■	-	3 / 1.9-32
3 Pressure gauge MA	■	-	3 / 1.9-31
4 Mounting bracket HR-D	■	-	3 / 1.9-28
5 Hex nut HMR	■	■	3 / 1.9-28
6 Push-in Y-fitting QSYLV	-	■	3 / 1.9-32
7 Plastic tubing PUN-E	-	■	3 / 1.9-33
8 Push-in fitting QSF	-	■	3 / 1.9-32
9 Flanged pressure gauge FMA	-	■	3 / 1.9-31

# Pressure regulator combinations LRB-K, D series, polymer

Type codes



LRB – ¼ – DB – 7 – 0 – K2 – MINI

### Basic function

LRB	Pressure regulator combination
-----	--------------------------------

### Pneumatic connection 2

¼	Thread G¼
---	-----------

### Series

DB	Series
----	--------

### Pressure regulation range

7	0.5 ... 7 bar
---	---------------

### Pressure gauge

0	Without pressure gauge
---	------------------------

### Regulator

K2	Manifold with 2 pressure regulators
K3	Manifold with 3 pressure regulators
K4	Manifold with 4 pressure regulators
K5	Manifold with 5 pressure regulators

### Size

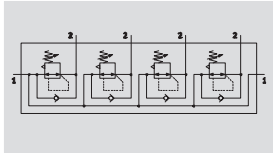
MINI	
------	--




# Pressure regulator combinations LRB-K, D series, polymer

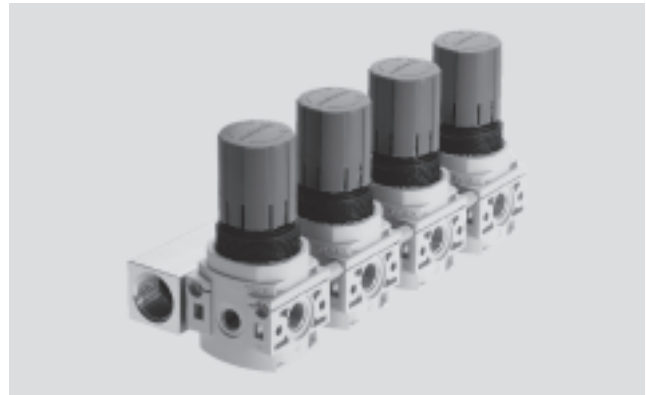
Technical data

Function

without pressure gauge



-  - Flow rate  
1000 l/min
-  - Temperature range  
-5 ... +50 °C
-  - Input pressure  
1.5 ... 10 bar



- Good control characteristics with low hysteresis and primary pressure compensation
- For the configuration of a regulator manifold with independent pressure ranges
- Manifold assembly with through air supply
- Setting values are secured by locking the rotary knob

General technical data	
Size	Mini
Pneumatic connection 1	G½
Pneumatic connection 2	G¼
Operating medium	Compressed air
Regulating functions	Output pressure constant
	With return flow function
	With secondary venting
Design	Directly actuated piston regulator
	On P-manifold
Type of mounting	Front panel mounting
	Via accessories
Assembly position	Any
Max. hysteresis [bar]	0.5
Input pressure [bar]	1.5 ... 10
Pressure regulation range [bar]	0.5 ... 7

Standard nominal flow rate <sup>1)</sup> qnN [l/min]	
Size	Mini
Pressure regulation range 0.5 ... 7 bar	≥ 1000

1) Measured at p1 = 10 bar, p2 = 6 bar and Δp = 1 bar.

Ambient conditions		
Ambient temperature	[°C]	-5 ... +50
Temperature of medium	[°C]	-5 ... +50
Corrosion resistance class	CRC <sup>1)</sup>	1

1) Corrosion resistance class 1 according to Festo standard 940 070  
Components requiring low corrosion resistance. Transport and storage protection. Parts that do not have primarily decorative surface requirements, e.g. in internal areas that are not visible or behind covers.

# Pressure regulator combinations LRB-K, D series, polymer

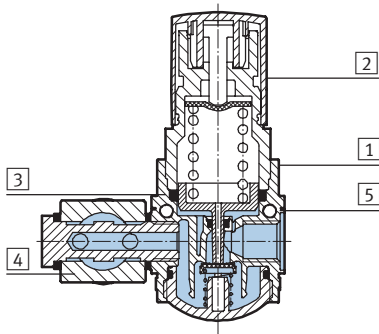


Technical data

Weight [g]	
Size	Mini
Manifold with 2 pressure regulators	
LRB-...-K2	500
Manifold with 3 pressure regulators	
LRB-...-K3	750
Manifold with 4 pressure regulators	
LRB-...-K4	1000
Manifold with 5 pressure regulators	
LRB-...-K5	1250

## Materials

Sectional view



Pressure regulator	Mini
1 Housing	Polyamide, reinforced
2 Rotary knob	Polyacetate
3 Sealing ring	Polyvinyl chloride
4 Manifold strip	Wrought aluminium alloy
5 Spacing bolt	Wrought aluminium alloy
- Seals	Nitrile rubber



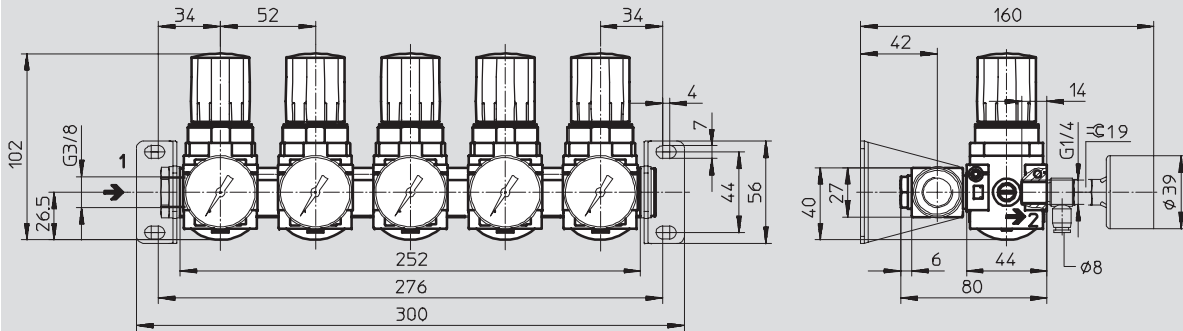
# Pressure regulator combinations LRB-K, D series, polymer

Technical data

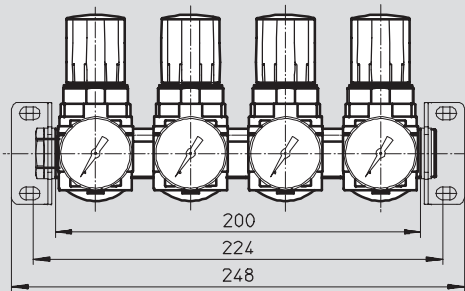
Dimensions Download CAD data → [www.festo.com/en/engineering](http://www.festo.com/en/engineering)

With mounting bracket

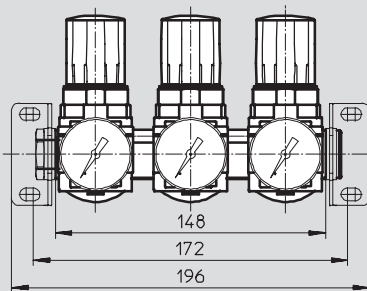
LRB-...-K5



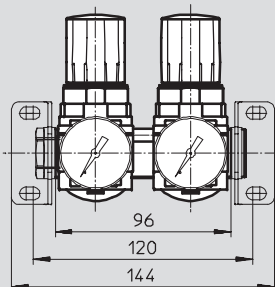
LRB-...-K4



LRB-...-K3



LRB-...-K2



→ Flow direction

Service units, D series, polymer

# Pressure regulator combinations LRB-K, D series, polymer

Technical data

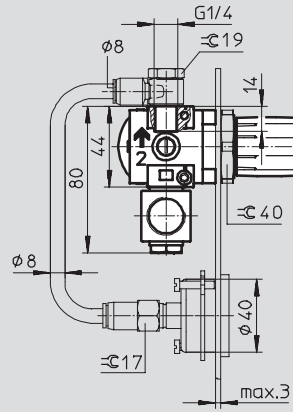
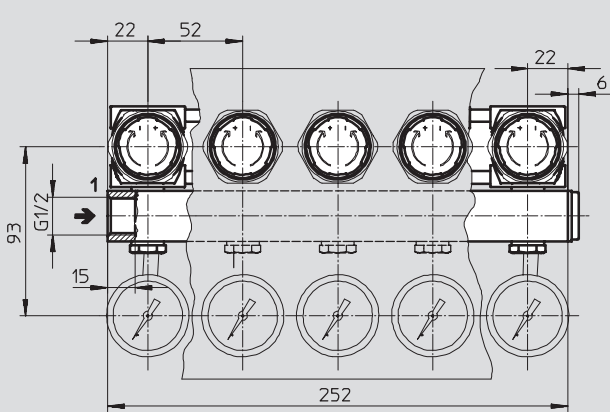


## Dimensions

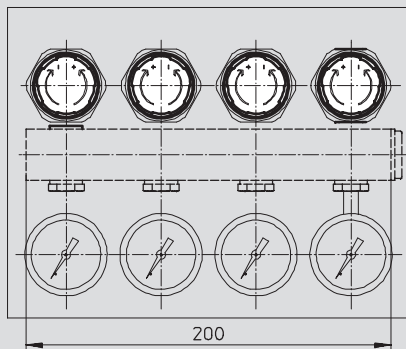
Download CAD data → [www.festo.com/en/engineering](http://www.festo.com/en/engineering)

Front panel mounting

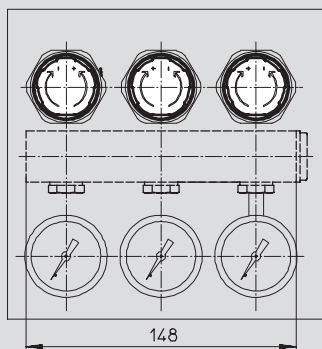
LRB-...-K5



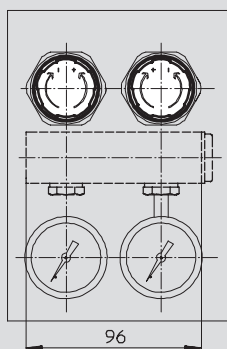
LRB-...-K4



LRB-...-K3



LRB-...-K2



→ Flow direction

# Pressure regulator combinations LRB-K, D series, polymer



Technical data

Ordering data			
Size	Connection	Pressure regulation range 0.5 ... 7 bar	
		Part No.	Type
Manifold with 2 pressure regulators			
Mini	G $\frac{1}{4}$	540 040	LRB- $\frac{1}{4}$ -DB-7-O-K2-MINI
Manifold with 3 pressure regulators			
Mini	G $\frac{1}{4}$	540 041	LRB- $\frac{1}{4}$ -DB-7-O-K3-MINI
Manifold with 4 pressure regulators			
Mini	G $\frac{1}{4}$	540 042	LRB- $\frac{1}{4}$ -DB-7-O-K4-MINI
Manifold with 5 pressure regulators			
Mini	G $\frac{1}{4}$	540 043	LRB- $\frac{1}{4}$ -DB-7-O-K5-MINI

# Mounting attachments, D series, polymer


Accessories

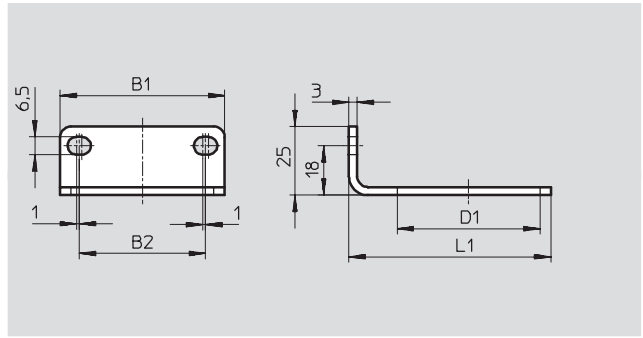


## Mounting bracket HR-D

- For wall mounting

Material:  
Galvanised steel

-  - Note  
The hex nut for attaching this bracket must be ordered separately.



Dimensions and ordering data							
Size	B1	B2	D1 Ø	L1	CRC <sup>1)</sup>	Part No.	Type
Mini	42	28	36	57.5	2	164 936	HR-D-MINI

1) Corrosion resistance class 2 according to Festo standard 940 070  
Components requiring moderate corrosion resistance. Externally visible parts with primarily decorative surface requirements which are in direct contact with a normal industrial environment or media such as coolants or lubricating agents.

## Hex nut HMR

- For front panel mounting
- For attaching the mounting bracket HR-D

Material:  
Wrought aluminium alloy



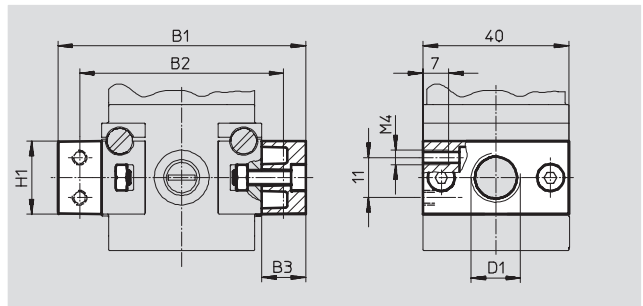
Ordering data		
Size	Part No.	Type
Mini	530 025	HMR-D-MINI/MAXI

## Connecting plate kit PBL

- For wall mounting
- For establishing a pneumatic connection G $\frac{3}{8}$

Material:  
Connecting plate: Die-cast zinc  
Nut, screws: Galvanised steel  
Seals: Nitrile rubber

Note on materials:  
Free of copper and PTFE



Dimensions and ordering data								
Size	B1	B2	B3	D1	H1	CRC <sup>1)</sup>	Part No.	Type
Mini	68	56	12	G $\frac{1}{8}$	20	1	542 787	PBL- $\frac{1}{8}$ -DB-MINI
	68	56	12	G $\frac{1}{4}$	20		542 788	PBL- $\frac{1}{4}$ -DB-MINI
	74	56	15	G $\frac{3}{8}$	23		542 789	PBL- $\frac{3}{8}$ -DB-MINI

1) Corrosion resistance class 1 according to Festo standard 940 070  
Components requiring low corrosion resistance. Transport and storage protection. Parts that do not have primarily decorative surface requirements, e.g. in internal areas that are not visible or behind covers.

# Mounting attachments, D series, polymer

Accessories



## Mounting bracket HFOE

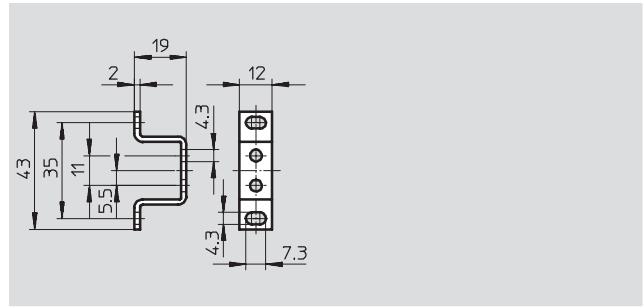
- For wall mounting

Material:

Galvanised steel

Note on materials:

Free of copper and PTFE



Dimensions and ordering data			
Size	CRC <sup>1)</sup>	Part No.	Type
Mini	2	159 638	HFOE-D-MINI

1) Corrosion resistance class 2 according to Festo standard 940 070  
Components requiring moderate corrosion resistance. Externally visible parts with primarily decorative surface requirements which are in direct contact with a normal industrial environment or media such as coolants or lubricating agents.

## Mounting bracket kit HRBS-DB-MINI

- For wall mounting

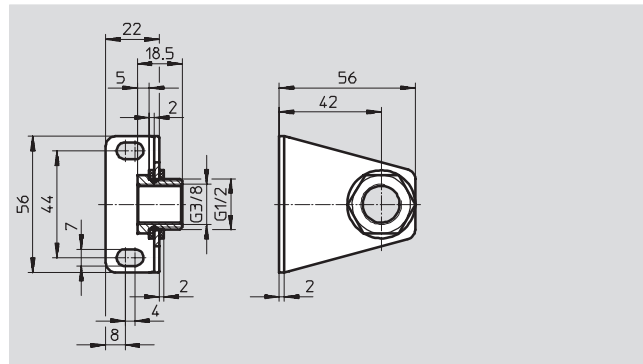
Material:

Hollow bolt, housing: Galvanised steel

Sealing ring: Polyvinyl chloride

Note on materials:

Free of copper and PTFE



Dimensions and ordering data				
Size	Pneumatic connection 1	CRC <sup>1)</sup>	Weight [g]	Part No. Type
Mini	G $\frac{3}{8}$	2	150	540 791 HRBS-DB-MINI

1) Corrosion resistance class 2 according to Festo standard 940 070  
Components requiring moderate corrosion resistance. Externally visible parts with primarily decorative surface requirements which are in direct contact with a normal industrial environment or media such as coolants or lubricating agents.

# Mounting attachments, D series, polymer

Accessories



## Threaded pin FRB

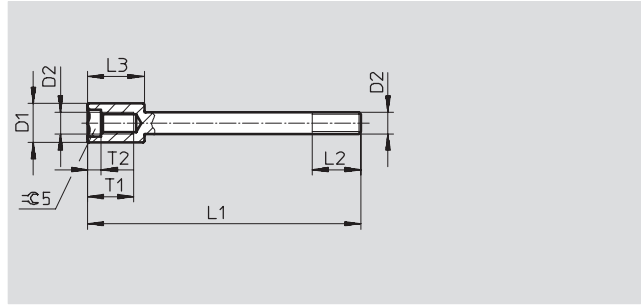
- For service unit combinations

Material:

Steel

Note on materials:

Free of copper and PTFE



Dimensions and ordering data										
Size	D1	D2	L1	L2 min.	L3	T1	T2	CRC <sup>1)</sup>	Part No.	Type
Mini	7.2 ∅	M4	50.5	9	10.5	8.5	2.5	1	542 187	FRB-DB-MINI

1) Corrosion resistance class 1 according to Festo standard 940 070  
Components requiring low corrosion resistance. Transport and storage protection. Parts that do not have primarily decorative surface requirements, e.g. in internal areas that are not visible or behind covers.

## Nut assortment M4-DB

- For service unit combinations

Material:

Galvanised steel

Note on materials:

Free of copper and PTFE



Ordering data				
Size	CRC <sup>1)</sup>	Part No.	Type	
Mini	1	542 790	M4-DB-MINI	

1) Corrosion resistance class 1 according to Festo standard 940 070  
Components requiring low corrosion resistance. Transport and storage protection. Parts that do not have primarily decorative surface requirements, e.g. in internal areas that are not visible or behind covers.

## Pressure gauges, D series, polymer

FESTO

Accessories

### Pressure gauge MA, DIN EN 837-1

- For filter regulators and pressure regulators

Further pressure gauges

→ 3 / 4.0-3



Ordering data				
Pneumatic connection	Indicating range		Part No.	Type
	[bar]	[psi]		
R $\frac{1}{8}$	0 ... 10	0 ... 145	162 835	MA-40-10-R $\frac{1}{8}$ -EN

### Pressure gauge MA, DIN EN 837-1

- For pressure regulator combinations with mounting via bracket

Further pressure gauges

→ 3 / 4.0-3



Ordering data				
Pneumatic connection	Indicating range		Part No.	Type
	[bar]	[psi]		
G $\frac{1}{4}$	0 ... 10	0 ... 145	183 900	MA-40-10-G $\frac{1}{4}$ -EN

### Flanged pressure gauge FMA, DIN EN 837-1

- For pressure regulator combinations with front panel mounting

Further pressure gauges

→ 3 / 4.0-3



Ordering data					
Nominal size	Pneumatic connection	Indicating range		Part No.	Type
		[bar]	[psi]		
40	G $\frac{1}{4}$	0 ... 10	0 ... 145	159 596	FMA-40-10-G $\frac{1}{4}$ -EN

## Push-in fittings, D series, polymer

Accessories

FESTO

**Push-in T-fitting QSTF**  
360° rotatable  
with male and female thread

Further push-in fittings  
→ 3 / 5.4-1



Ordering data					
Pneumatic connection			Part No.	Type	PU*
Male thread	Female thread	Tubing O.D.			
G $\frac{1}{4}$	G $\frac{1}{4}$	8	186 203	QSTF-G $\frac{1}{4}$ -8	1

\* Packaging unit quantity

**Push-in Y-fitting QSYLV**  
360° rotatable  
Male thread  
with external hex

Further push-in fittings  
→ 3 / 5.4-1



Ordering data					
Pneumatic connection		Tubing O.D.	Part No.	Type	PU*
G $\frac{1}{4}$		8	186 210	QSYLV-G $\frac{1}{4}$ -8	1

\* Packaging unit quantity

**Push-in fitting QSF**  
Female thread  
with external hex

Further push-in fittings  
→ 3 / 5.4-1



Ordering data					
Pneumatic connection		Tubing O.D.	Part No.	Type	PU*
G $\frac{1}{4}$		8	153 026	QSF- $\frac{1}{4}$ -8-B	10

\* Packaging unit quantity



# Plastic tubing and filter cartridges, D series, polymer

Accessories

## Plastic tubing PCN

- For condensate drain

Material: Polyvinyl chloride

Further tubing

→ 3 / 5.2-1



Ordering data					
Tubing O.D. [mm]	Tubing I.D. [mm]	Weight [g/m]	Part No.	Type	PU* [m]
6.5	4	25	7 134	PCN-4-NT	50

\* Packaging unit

## Plastic tubing PUN-E

Highly flexible, hydrolysis and microbe resistant tubing

Material: Polyurethane

Note on materials:

Free of copper and PTFE

Further tubing

→ 3 / 5.2-1



Ordering data					
Tubing O.D. [mm]	Colour	Part No.	Type	PU* [m]	
8	Silver	535 322	PUN-E-8x1-SI	50	
		534 174	PUN-E-8x1-SI-400	400	
	Blue	535 327	PUN-E-8x1-BL	50	
		534 175	PUN-E-8x1-BL-400	400	
	Black	538 467	PUN-E-8x1-SW	50	
		538 462	PUN-E-8x1-SW-400	400	

\* Packaging unit

## Filter cartridges LFP



Ordering data			
Size	Grade of filtration [µm]	Part No.	Type
Mini	5	547 957	LFP-DB-MINI-5M
	40	534 502	MS4-LFP-E