



- **Tubing strap for bundling together several tubes**
- **Tubing support for tidy tubing layouts**
- **Multi-tube holder for securing tubing**

# Tubing holders/straps PB, PKB, PKS

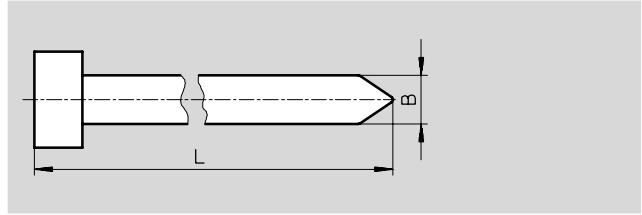
Technical data



## Tubing strap PB

for bundling together several tubes

Material:  
Polyamide



### Dimensions and ordering data

Max. bundle Ø [mm]	Thickness [mm]	B	L	Weight/piece [g]	Part No.	Type	PU <sup>1)</sup>
30	0.9	3.4	140	2	6 741	PB-140	10
45	1.2	4.6	172	3	6 742	PB-172	10
100	1.2	4.8	378	4	6 743	PB-378	10

1) Packaging unit quantity

## Spiral wrap for tubing

### PKB-50-BL

for bundling together several tubes

Material:  
Polyethylene



### Dimensions and ordering data

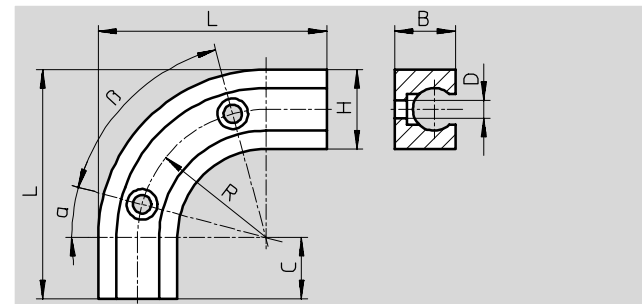
Accepts tubing bundle of max. Ø 50 mm	Colour	Weight [g/m]	Part No.	Type	PU <sup>1)</sup> [m]
60 3 mm tubing	blue	10	3 656	PKB-50-BL	50
50 4 mm tubing					
28 6 mm tubing					
13 9 mm tubing					

1) Packaging unit

## Tubing support PKS

for tidy tubing layouts and the prevention of kinks

Material:  
Polyethylene



### Dimensions and ordering data

For tubing O.D. [mm]	B	C	D	H	L	R	$\alpha$	$\beta$	Weight/piece [g]	Part No.	Type	PU <sup>1)</sup>
6	8	8	2	10	23	10	-	90°	1	4 132	PKS-4	10
8	10	10	3	13	37.5	21	15°	60°	4	4 133	PKS-6	10
11.5	13.5	15	3	16.5	57	33.75	15°	60°	11	4 134	PKS-9	10

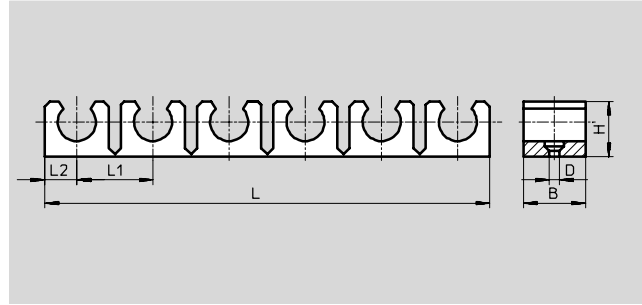
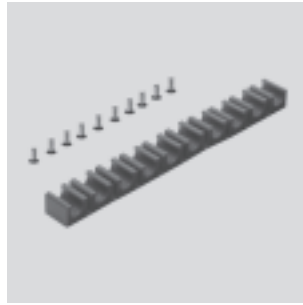
1) Packaging unit quantity

# Tubing holders/straps KK

Technical data



**Multi-tube holder KK**  
for securing tubing



Dimensions and ordering data											
For tubing O.D. [mm]	Number of clamps	B	D ∅	H	L	L1	L2	Weight/piece [g]	Part No.	Type	PU <sup>1)</sup>
4.3	10	12	2	9	98.6	10	4.3	1	3 635	KK-3	10
6	9	14	3	9	94	10.5	5	5	2 147	KK-4	10
8	10	14	3	11	142.5	14.5	6	10	2 148	KK-6	10
11.5	6	18	3	16	128.5	22	9.25	18	2 149	KK-9	10
17.6	4	20	5	23	117	30	13.5	52	4 463	KK-13	10

1) Packaging unit quantity