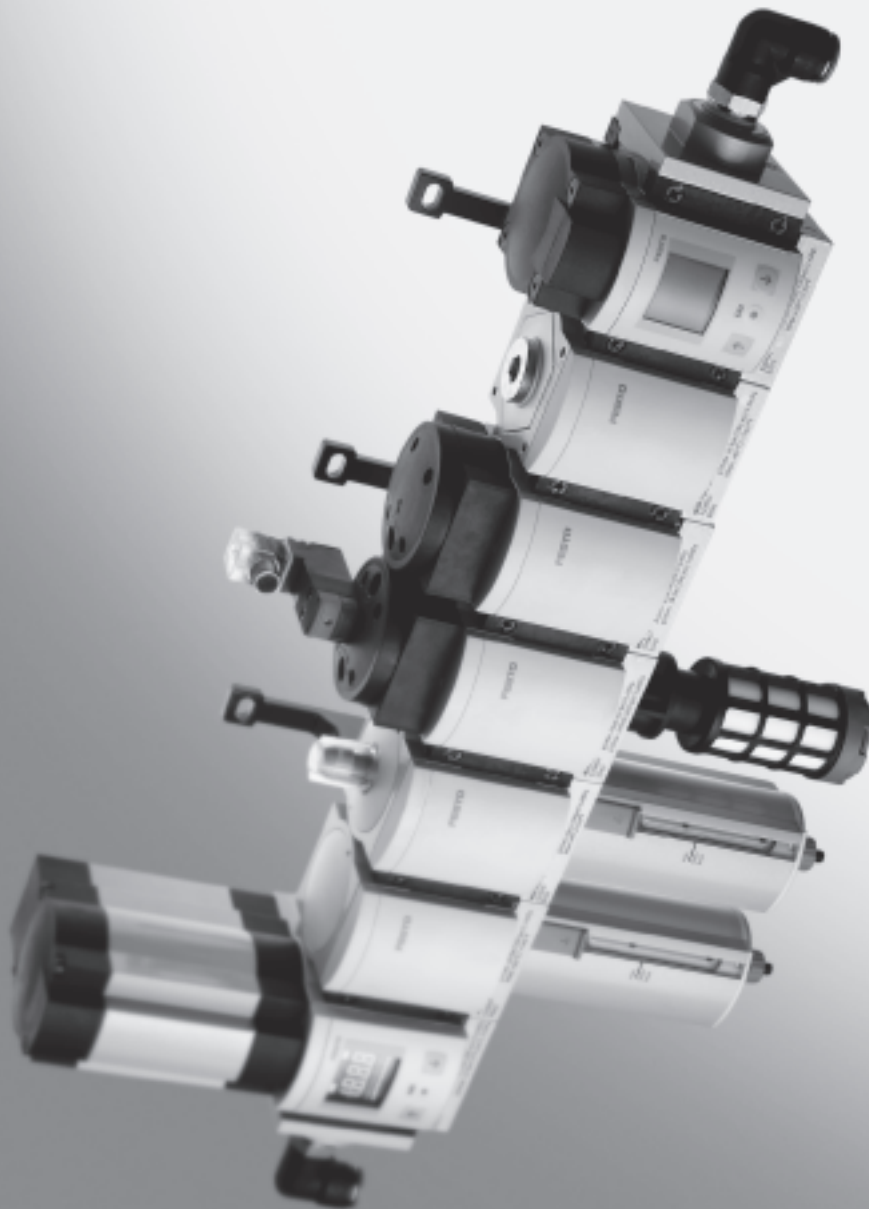


Wide range of configuration options
→ www.festo.com/en/engineering



- Three sizes:
MS4 – grid
dimension 40 mm
MS6 – grid
dimension 62 mm
MS12 – grid
dimension 124 mm
- Modular
- Easy to assemble
- Broad range of functions
- Compact with high flow rates
- Modern design
- Wide choice of variants
- Integrated safety functions

Specified types in accordance with
ATEX directive for potentially
explosive atmospheres
→ www.festo.com/en/ex

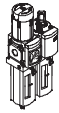
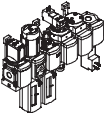








MS series service units

Product range overview



MS series service units

1

| Type | Size | Pneumatic connection in housing | Connecting plate | Pressure regulation range [bar] | | | | | | Grade of filtration [µm] | | | |
|--|------|---------------------------------|------------------------|---------------------------------|------|-----|-----|-----|-----|--------------------------|---|---|----|
| | | | | 0.05 | 0.05 | 0.1 | 0.3 | 0.1 | 0.5 | | | | |
| | | | | ... | ... | ... | ... | ... | ... | 0.01 | 1 | 5 | 40 |
| Code | | | AG... | D2 | D4 | D5 | D6 | D7 | D8 | A | B | C | E |
| Service units | | | | | | | | | | | | | |
| MSB-FRC  | 4 | G1/8, G1/4 | G1/8, G1/4, G3/8 | - | - | - | ■ | ■ | - | - | - | ■ | ■ |
| | 6 | G1/4, G3/8, G1/2 | G1/4, G3/8, G1/2, G3/4 | - | - | - | ■ | ■ | - | - | - | ■ | ■ |
| | 12 | - | | | | | | | | | | | |
| Service unit combinations (further variants can be ordered using the configurator → www.festo.com/en/engineering) | | | | | | | | | | | | | |
| MSB  | 4 | G1/4 | G1/8, G1/4, G3/8 | - | - | - | ■ | ■ | - | - | - | ■ | ■ |
| | 6 | G1/2 | G1/4, G3/8, G1/2, G3/4 | - | - | - | ■ | ■ | - | - | - | ■ | ■ |
| | 12 | - | | | | | | | | | | | |
| Individual devices | | | | | | | | | | | | | |
| Filter regulators MS-LFR  | 4 | G1/8, G1/4 | G1/8, G1/4, G3/8 | - | - | ■ | ■ | ■ | - | - | - | ■ | ■ |
| | 6 | G1/4, G3/8, G1/2 | G1/4, G3/8, G1/2, G3/4 | - | - | ■ | ■ | ■ | ■ | - | - | ■ | ■ |
| | 12 | - | G1, G1 1/4, G1 1/2, G2 | - | - | - | ■ | ■ | ■ | - | - | ■ | ■ |
| Filters MS-LF  | 4 | G1/8, G1/4 | G1/8, G1/4, G3/8 | - | - | - | - | - | - | - | - | ■ | ■ |
| | 6 | G1/4, G3/8, G1/2 | G1/4, G3/8, G1/2, G3/4 | - | - | - | - | - | - | - | - | ■ | ■ |
| | 12 | - | G1, G1 1/4, G1 1/2, G2 | - | - | - | - | - | - | - | - | ■ | ■ |
| Fine and micro filters MS-LFM  | 4 | G1/8, G1/4 | G1/8, G1/4, G3/8 | - | - | - | - | - | - | ■ | ■ | - | - |
| | 6 | G1/4, G3/8, G1/2 | G1/4, G3/8, G1/2, G3/4 | - | - | - | - | - | - | ■ | ■ | - | - |
| | 12 | - | G1, G1 1/4, G1 1/2, G2 | - | - | - | - | - | - | ■ | ■ | - | - |
| Activated carbon filters MS-LFX  | 4 | G1/8, G1/4 | G1/8, G1/4, G3/8 | - | - | - | - | - | - | - | - | - | - |
| | 6 | G1/4, G3/8, G1/2 | G1/4, G3/8, G1/2, G3/4 | - | - | - | - | - | - | - | - | - | - |
| | 12 | - | G1, G1 1/4, G1 1/2, G2 | - | - | - | - | - | - | - | - | - | - |
| Pressure regulators MS-LR  | 4 | G1/8, G1/4 | G1/8, G1/4, G3/8 | - | - | ■ | ■ | ■ | - | - | - | - | - |
| | 6 | G1/4, G3/8, G1/2 | G1/4, G3/8, G1/2, G3/4 | - | - | ■ | ■ | ■ | ■ | - | - | - | - |
| | 12 | - | G1, G1 1/4, G1 1/2, G2 | - | - | - | ■ | ■ | ■ | - | - | - | - |
| Pressure regulators MS-LRB  | 4 | G1/4 | G1/8, G1/4, G3/8 | - | - | ■ | ■ | ■ | - | - | - | - | - |
| | 6 | G1/2 | G1/4, G3/8, G1/2, G3/4 | - | - | ■ | ■ | ■ | ■ | - | - | - | - |
| | 12 | - | | | | | | | | | | | |
| Precision pressure regulators MS-LRP  | 4 | - | | | | | | | | | | | |
| | 6 | G1/4, G3/8, G1/2 | G1/4, G3/8, G1/2, G3/4 | ■ | ■ | ■ | - | ■ | - | - | - | - | - |
| | 12 | - | | | | | | | | | | | |
| Precision pressure regulators MS-LRPB  | 4 | - | | | | | | | | | | | |
| | 6 | G1/2 | G1/4, G3/8, G1/2, G3/4 | ■ | ■ | ■ | - | ■ | - | - | - | - | - |
| | 12 | - | | | | | | | | | | | |

MS series service units

Product range overview



| Type | Size | Bowl guard | | Condensate drains | | | | Pressure indicator | | | | | Actuator lock | | Options | | → Page |
|--|------|--------------------|------------|-------------------|----------------|-----------------|---------------------------------------|--------------------------------------|------------------------------|------------------------------------|------------------------------------|------------------------------|-----------------------|-------------------|----------|-----------------------------------|------------|
| | | Plastic bowl guard | Metal bowl | Manual rotary | Semi-automatic | Fully automatic | External, fully-automatic, electrical | Cover plate (without pressure gauge) | Integrated MS pressure gauge | Adapter for EN pressure gauge G1/8 | Adapter for EN pressure gauge G1/4 | Pressure sensor with display | Rotary knob, lockable | Rotary knob, long | Silencer | Flow direction from right to left | |
| Code | | R | U | M | H | V | E... | VS | AG | A8 | A4 | AD... | AS | LD | S | Z | |
| Service units | | | | | | | | | | | | | | | | | |
| MSB-FRC | 4 | ■ | - | ■ | - | ■ | - | - | ■ | - | - | - | ■ | - | - | ■ | 2-2 |
| | 6 | ■ | ■ | ■ | - | ■ | - | - | ■ | - | - | - | ■ | - | - | ■ | |
| | 12 | - | | | | | | | | | | | | | | | |
| Service unit combinations | | | | | | | | | | | | | | | | | |
| MSB | 4 | ■ | ■ | ■ | - | ■ | - | - | ■ | - | - | - | ■ | - | - | ■ | 2-2 |
| | 6 | ■ | ■ | ■ | - | ■ | - | - | ■ | - | - | - | ■ | - | - | ■ | |
| | 12 | - | | | | | | | | | | | | | | | |
| Individual devices | | | | | | | | | | | | | | | | | |
| Filter regulators MS-LFR | 4 | ■ | ■ | ■ | ■ | ■ | - | ■ | ■ | ■ | ■ | ■ | ■ | ■ | - | ■ | 3-2 |
| | 6 | ■ | ■ | ■ | ■ | ■ | ■ | ■ | ■ | - | ■ | ■ | ■ | ■ | - | ■ | |
| | 12 | - | ■ | ■ | - | ■ | ■ | ■ | ■ | - | ■ | - | ■ | ■ | - | ■ | 3-18 |
| Filters MS-LF | 4 | ■ | ■ | ■ | ■ | ■ | - | - | - | - | - | - | - | - | - | ■ | 4-2, 4-4 |
| | 6 | ■ | ■ | ■ | ■ | ■ | ■ | - | - | - | - | - | - | - | - | ■ | |
| | 12 | - | ■ | ■ | - | ■ | ■ | - | - | - | - | - | - | - | - | ■ | 4-26, 4-28 |
| Fine and micro filters MS-LFM | 4 | ■ | ■ | ■ | ■ | ■ | - | - | - | - | - | - | - | - | - | ■ | 4-2, 4-12 |
| | 6 | ■ | ■ | ■ | ■ | ■ | ■ | - | - | - | - | - | - | - | - | ■ | |
| | 12 | - | ■ | ■ | - | ■ | ■ | - | - | - | - | - | - | - | - | ■ | 4-26, 4-33 |
| Activated carbon filters MS-LFX | 4 | ■ | ■ | ■ | - | - | - | - | - | - | - | - | - | - | - | ■ | 4-2, 4-20 |
| | 6 | ■ | ■ | ■ | - | - | - | - | - | - | - | - | - | - | - | ■ | |
| | 12 | - | ■ | - | - | - | - | - | - | - | - | - | - | - | - | ■ | 4-26, 4-40 |
| Pressure regulators MS-LR | 4 | - | - | - | - | - | - | ■ | ■ | ■ | ■ | ■ | ■ | ■ | - | ■ | 5-2, 5-7 |
| | 6 | - | - | - | - | - | - | ■ | ■ | - | ■ | ■ | ■ | ■ | - | ■ | |
| | 12 | - | - | - | - | - | - | ■ | ■ | - | ■ | - | ■ | ■ | - | ■ | 5-58 |
| Pressure regulators MS-LRB | 4 | - | - | - | - | - | - | ■ | ■ | ■ | ■ | ■ | ■ | ■ | - | ■ | 5-2, 5-16 |
| | 6 | - | - | - | - | - | - | ■ | ■ | - | ■ | ■ | ■ | ■ | - | ■ | |
| | 12 | - | | | | | | | | | | | | | | | |
| Precision pressure regulators MS-LRP | 4 | - | | | | | | | | | | | | | | | 5-24, 5-29 |
| | 6 | - | - | - | - | - | - | ■ | - | - | ■ | ■ | ■ | ■ | - | ■ | |
| | 12 | - | | | | | | | | | | | | | | | |
| Precision pressure regulators MS-LRPB | 4 | - | | | | | | | | | | | | | | | 5-24, 5-38 |
| | 6 | - | - | - | - | - | - | ■ | - | - | ■ | ■ | ■ | ■ | - | ■ | |
| | 12 | - | | | | | | | | | | | | | | | |

MS series service units

Product range overview



MS series service units

1

| Type | Size | Pneumatic connection in housing | Connecting plate | Pressure regulation range [bar] | | | | Supply voltage | | | | |
|---|------|---------------------------------|---|---|-----------------|------------------|------------------|---|--|--|--|---|
| | | | | 0.3 ... 4 | 0.3 ... 7 | 0.5 ... 12 | 0.5 ... 16 | 24 V DC (connection pattern to EN 175301) | 24 V DC (connection pattern M12 to DESINA) | 110 V AC (connection pattern to EN 175301) | 230 V AC (connection pattern to EN 175301) | |
| Code | | | AG... | D5 | D6 | D7 | D8 | V24 | V24P | V110 | V230 | |
| Individual devices | | | | | | | | | | | | |
| Electrical pressure regulators MS-LRE | | 4 | – | | | | | | | | | |
| | | 6 | G $\frac{1}{4}$, G $\frac{3}{8}$, G $\frac{1}{2}$ | G $\frac{1}{4}$, G $\frac{3}{8}$, G $\frac{1}{2}$, G $\frac{3}{4}$ | ■ | ■ | ■ | ■ | – | – | – | – |
| | | 12 | – | | | | | | | | | |
| Lubricators MS-LOE | | 4 | G $\frac{1}{8}$, G $\frac{1}{4}$ | G $\frac{1}{8}$, G $\frac{1}{4}$, G $\frac{3}{8}$ | – | – | – | – | – | – | – | – |
| | | 6 | G $\frac{1}{4}$, G $\frac{3}{8}$, G $\frac{1}{2}$ | G $\frac{1}{4}$, G $\frac{3}{8}$, G $\frac{1}{2}$, G $\frac{3}{4}$ | – | – | – | – | – | – | – | – |
| | | 12 | – | G1, G $\frac{1}{4}$, G $\frac{1}{2}$, G2 | – | – | – | – | – | – | – | – |
| On-off valves MS-EM(1) | | 4 | G $\frac{1}{8}$, G $\frac{1}{4}$ | G $\frac{1}{8}$, G $\frac{1}{4}$, G $\frac{3}{8}$ | – | – | – | – | – | – | – | – |
| | | 6 | G $\frac{1}{4}$, G $\frac{3}{8}$, G $\frac{1}{2}$ | G $\frac{1}{4}$, G $\frac{3}{8}$, G $\frac{1}{2}$, G $\frac{3}{4}$ | – | – | – | – | – | – | – | – |
| | | 12 | – | G1, G $\frac{1}{4}$, G $\frac{1}{2}$, G2 | – | – | – | – | – | – | – | – |
| On-off valves MS-EE | | 4 | G $\frac{1}{8}$, G $\frac{1}{4}$ | G $\frac{1}{8}$, G $\frac{1}{4}$, G $\frac{3}{8}$ | – | – | – | – | ■ | – | ■ | ■ |
| | | 6 | G $\frac{1}{4}$, G $\frac{3}{8}$, G $\frac{1}{2}$ | G $\frac{1}{4}$, G $\frac{3}{8}$, G $\frac{1}{2}$, G $\frac{3}{4}$ | – | – | – | – | ■ | – | ■ | ■ |
| | | 12 | – | G1, G $\frac{1}{4}$, G $\frac{1}{2}$, G2 | – | – | – | – | ■ | ■ | ■ | ■ |
| Soft-start valves MS-DL | | 4 | G $\frac{1}{8}$, G $\frac{1}{4}$ | G $\frac{1}{8}$, G $\frac{1}{4}$, G $\frac{3}{8}$ | – | – | – | – | – | – | – | – |
| | | 6 | G $\frac{1}{4}$, G $\frac{3}{8}$, G $\frac{1}{2}$ | G $\frac{1}{4}$, G $\frac{3}{8}$, G $\frac{1}{2}$, G $\frac{3}{4}$ | – | – | – | – | – | – | – | – |
| | | 12 | – | G1, G $\frac{1}{4}$, G $\frac{1}{2}$, G2 | – | – | – | – | – | – | – | – |
| Soft-start valves MS-DE | | 4 | G $\frac{1}{8}$, G $\frac{1}{4}$ | G $\frac{1}{8}$, G $\frac{1}{4}$, G $\frac{3}{8}$ | – | – | – | – | ■ | – | ■ | ■ |
| | | 6 | G $\frac{1}{4}$, G $\frac{3}{8}$, G $\frac{1}{2}$ | G $\frac{1}{4}$, G $\frac{3}{8}$, G $\frac{1}{2}$, G $\frac{3}{4}$ | – | – | – | – | ■ | – | ■ | ■ |
| | | 12 | – | G1, G $\frac{1}{4}$, G $\frac{1}{2}$, G2 | – | – | – | – | ■ | ■ | ■ | ■ |
| Membrane air dryers MS-LDM1 | | 4 | G $\frac{1}{8}$, G $\frac{1}{4}$ | G $\frac{1}{8}$, G $\frac{1}{4}$, G $\frac{3}{8}$ | – | – | – | – | – | – | – | – |
| | | 6 | G $\frac{1}{4}$, G $\frac{3}{8}$, G $\frac{1}{2}$ | G $\frac{1}{4}$, G $\frac{3}{8}$, G $\frac{1}{2}$, G $\frac{3}{4}$ | – | – | – | – | – | – | – | – |
| | | 12 | – | | | | | | | | | |
| Branching modules MS-FRM | | 4 | G $\frac{1}{8}$, G $\frac{1}{4}$ | G $\frac{1}{8}$, G $\frac{1}{4}$, G $\frac{3}{8}$ | – | – | – | – | – | – | – | – |
| | | 6 | G $\frac{1}{4}$, G $\frac{3}{8}$, G $\frac{1}{2}$ | G $\frac{1}{4}$, G $\frac{3}{8}$, G $\frac{1}{2}$, G $\frac{3}{4}$ | – | – | – | – | – | – | – | – |
| | | 12 | – | G1, G $\frac{1}{4}$, G $\frac{1}{2}$, G2 | – | – | – | – | – | – | – | – |
| Flow sensors MS-SFE | | 4 | – | | | | | | | | | |
| | | 6 | G $\frac{1}{2}$ | G $\frac{1}{2}$ | – | – | – | – | – | – | – | – |
| | | 12 | – | | | | | | | | | |

MS series service units

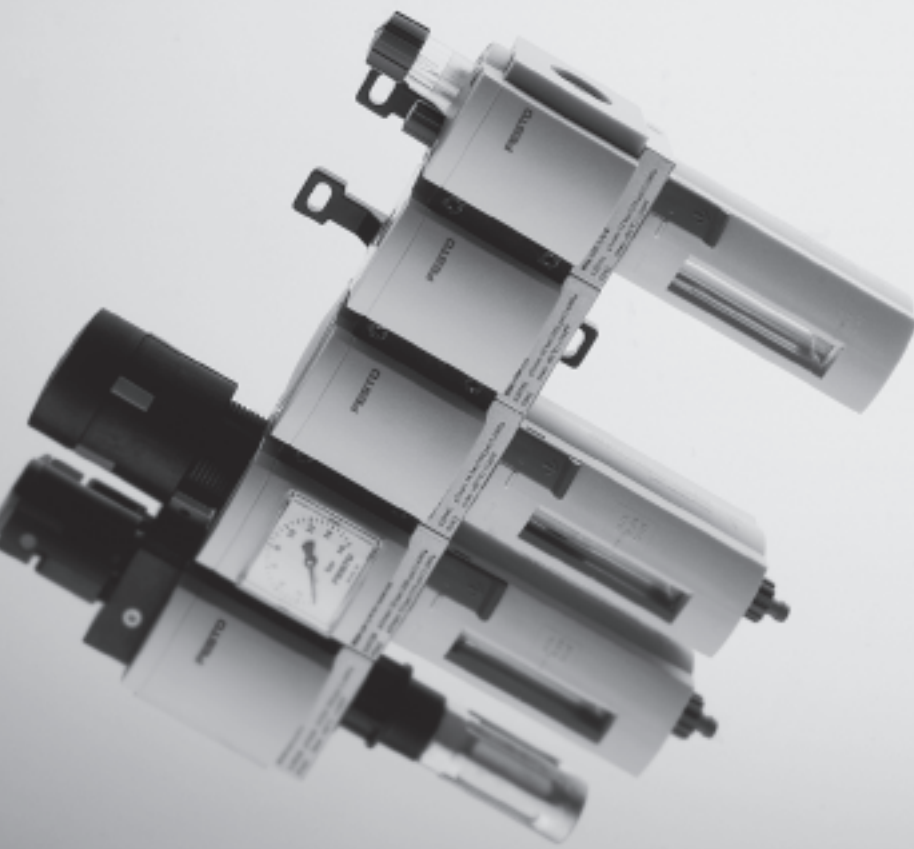
Product range overview



| Type | Size | Bowl guard | | Pressure indicator | | | | | Switch output | | Options | | → Page | |
|---|------|--------------------|------------|--------------------------------------|------------------------------|---|---|------------------------------|---------------|--------|----------|-----------------------------------|------------|------|
| | | Plastic bowl guard | Metal bowl | Cover plate (without pressure gauge) | Integrated MS pressure gauge | Adapter for EN pressure gauge G $\frac{1}{8}$ | Adapter for EN pressure gauge G $\frac{1}{4}$ | Pressure sensor with display | 2x PNP | 2x NPN | Silencer | Flow direction from right to left | | |
| | | | | | | | | | | | | | | R |
| Individual devices | | | | | | | | | | | | | | |
| Electrical pressure regulators MS-LRE | 4 | - | | | | | | | | | | | | 5-46 |
| | 6 | - | - | ■ | ■ | - | ■ | - | - | - | - | - | ■ | |
| | 12 | - | | | | | | | | | | | | |
| Lubricators MS-LOE | 4 | ■ | ■ | - | - | - | - | - | - | - | - | - | ■ | 6-2 |
| | 6 | ■ | ■ | - | - | - | - | - | - | - | - | - | ■ | |
| | 12 | - | ■ | - | - | - | - | - | - | - | - | - | ■ | 6-10 |
| On-off valves MS-EM(1) | 4 | - | - | ■ | ■ | ■ | ■ | ■ | - | - | ■ | ■ | 7-2, 7-5 | |
| | 6 | - | - | ■ | ■ | - | ■ | ■ | - | - | ■ | ■ | | |
| | 12 | - | - | ■ | ■ | - | ■ | - | - | - | ■ | ■ | 7-30, 7-33 | |
| On-off valves MS-EE | 4 | - | - | ■ | ■ | ■ | ■ | ■ | - | - | ■ | ■ | 7-2, 7-10 | |
| | 6 | - | - | ■ | ■ | - | ■ | ■ | - | - | ■ | ■ | | |
| | 12 | - | - | ■ | ■ | - | ■ | - | - | - | ■ | ■ | 7-30, 7-37 | |
| Soft-start valves MS-DL | 4 | - | - | ■ | ■ | ■ | ■ | ■ | - | - | - | ■ | 7-2, 7-18 | |
| | 6 | - | - | ■ | ■ | - | ■ | ■ | - | - | - | ■ | | |
| | 12 | - | - | ■ | ■ | - | ■ | - | - | - | - | ■ | 7-30, 7-41 | |
| Soft-start valves MS-DE | 4 | - | - | ■ | ■ | ■ | ■ | ■ | - | - | - | ■ | 7-2, 7-23 | |
| | 6 | - | - | ■ | ■ | - | ■ | ■ | - | - | - | ■ | | |
| | 12 | - | - | ■ | ■ | - | ■ | - | - | - | - | ■ | 7-30, 7-45 | |
| Membrane air dryers MS-LDM1 | 4 | - | ■ | - | - | - | - | - | - | - | - | ■ | 8-2 | |
| | 6 | - | ■ | - | - | - | - | - | - | - | - | ■ | | |
| | 12 | - | | | | | | | | | | | | |
| Branching modules MS-FRM | 4 | - | - | ■ | ■ | ■ | ■ | ■ | - | - | - | ■ | 9-2 | |
| | 6 | - | - | ■ | ■ | - | ■ | ■ | - | - | - | ■ | | |
| | 12 | - | - | ■ | - | - | - | - | - | - | - | - | 9-14 | |
| Flow sensors MS-SFE | 4 | - | | | | | | | | | | | 10-2 | |
| | 6 | - | - | - | - | - | - | - | ■ | ■ | - | ■ ¹⁾ | | |
| | 12 | - | | | | | | | | | | | | |

1) To be ordered via configurator software only → www.festo.com/en/engineering

Wide range of configuration options
→ www.festo.com/en/engineering



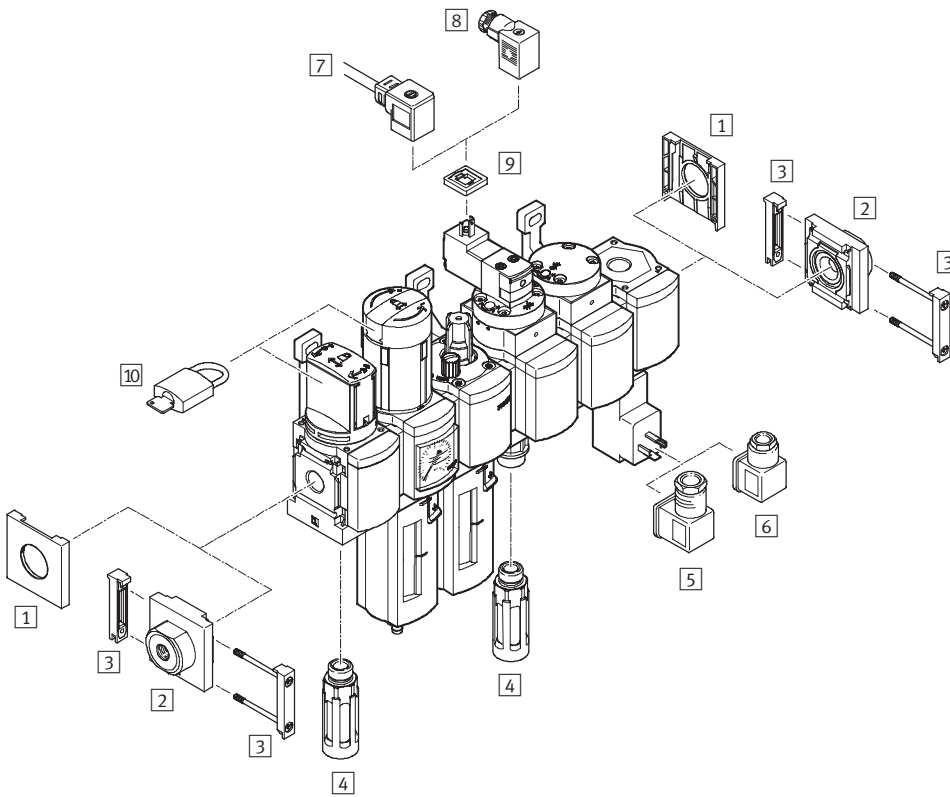
- MS4 – grid
dimension 40 mm
MS6 – grid
dimension 62 mm
- Modular
- Easy to assemble
- Broad range of functions
- Compact with high flow rates
- Modern design
- Wide choice of variants
- Integrated safety functions


Specified types in accordance with
ATEX directive for potentially
explosive atmospheres
→ www.festo.com/en/ex



Service unit combinations MSB4/MSB6, MS series

Peripherals overview



-  - Note
The choice of accessories depends on the selected service unit combination.

Range of accessories
➔ Peripherals pages of the individual devices

| Mounting attachments and accessories | | ➔ Page |
|--------------------------------------|---|------------|
| 1 | Cover cap MS4/6-END | 11-3 |
| 2 | Connecting plate MS4/6-AG... | 11-2 |
| 3 | Module connector MS4/6-MV | 11-7 |
| 4 | Silencer U | 11-10 |
| 5 | Angled socket PEV-1/4-WD-LED | 11-9 |
| 6 | Plug socket MSSD-C-4P | 11-9 |
| 7 | Plug socket with cable KMEB | 11-9 |
| 8 | Plug socket MSSD-EB | 11-9 |
| 9 | Illuminating seal MEB-LD | 11-9 |
| 10 | Padlock LRVS-D | 11-10 |
| - | Mounting bracket (for service unit MSB-FRC) MS4/6-WP/WPB/WPM | 11-5, 11-6 |

Service units MSB4/MSB6-FRC, MS series

Type codes

| | | | | | | | |
|--|---|---|---|-----|---|---------|----|
| MSB | | 6 | - | 3/8 | - | FRC2:J6 | M1 |
| Series | | | | | | | |
| MSB | Service unit | | | | | | |
| Size | | | | | | | |
| 4 | Grid dimension 40 mm | | | | | | |
| 6 | Grid dimension 62 mm | | | | | | |
| Pneumatic connection | | | | | | | |
| 1/8 | Thread G1/8 | | | | | | |
| 1/4 | Thread G1/4 | | | | | | |
| 3/8 | Thread G3/8 | | | | | | |
| 1/2 | Thread G1/2 | | | | | | |
| Service unit consisting of: | | | | | | | |
| <ul style="list-style-type: none"> • Filter regulator with pressure gauge, lockable standard type rotary knob • Lubricator | | | | | | | |
| Pressure regulation range 0.3 ... 7 bar | | | | | | | |
| Plastic bowl guard | | | | | | | |
| FRC3:J7 | Grade of filtration 5 µm, manual rotary condensate drain | | | | | | |
| FRC4:J8 | Grade of filtration 5 µm, fully automatic condensate drain | | | | | | |
| FRC1:J5 | Grade of filtration 40 µm, manual rotary condensate drain | | | | | | |
| FRC2:J6 | Grade of filtration 40 µm, fully automatic condensate drain | | | | | | |
| Pressure regulation range 0.5 ... 12 bar | | | | | | | |
| Plastic bowl guard | | | | | | | |
| FRC7:J3 | Grade of filtration 5 µm, manual rotary condensate drain | | | | | | |
| FRC8:J4 | Grade of filtration 5 µm, fully automatic condensate drain | | | | | | |
| FRC5:J1 | Grade of filtration 40 µm, manual rotary condensate drain | | | | | | |
| FRC6:J2 | Grade of filtration 40 µm, fully automatic condensate drain | | | | | | |
| Metal bowl | | | | | | | |
| FRC11:J9 | Grade of filtration 5 µm, manual rotary condensate drain | | | | | | |
| FRC12:J10 | Grade of filtration 5 µm, fully automatic condensate drain | | | | | | |
| FRC9:J11 | Grade of filtration 40 µm, manual rotary condensate drain | | | | | | |
| FRC10:J12 | Grade of filtration 40 µm, fully automatic condensate drain | | | | | | |
| Lubricators | | | | | | | |
| M1 | Plastic bowl guard | | | | | | |
| M2 | Metal bowl | | | | | | |

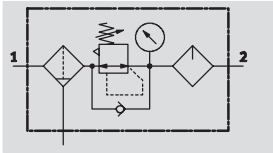
Service units MSB4/MSB6-FRC, MS series

Technical data

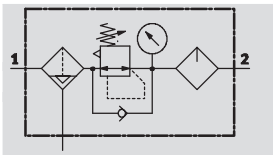


Function

With condensate drain
manual rotary



With condensate drain
fully automatic



- - Flow rate
800 ... 4,800 l/min
- - Temperature range
-10 ... +60 °C
- - Input pressure
1.5 ... 20 bar



- Filter, regulator and lubricator function in a single unit
- High flow rate and highly efficient removal of contaminants
- Good regulating characteristics with minimal pressure hysteresis
- Setting values are secured by locking the rotary knob
- Lockable rotary knob
- Two pressure regulation ranges: 0.3 ... 7 bar and 0.5 ... 12 bar
- Choice of filter cartridges: 5 µm or 40 µm
- With manual or integrated, fully automatic condensate drain

| General technical data | | | | | |
|---------------------------------|---|-----------------|--------------------|-----------------|-----------------|
| Size | MSB4 | | MSB6 | | |
| Pneumatic connection 1, 2 | G $\frac{1}{8}$ | G $\frac{1}{4}$ | G $\frac{1}{4}$ | G $\frac{3}{8}$ | G $\frac{1}{2}$ |
| Design | Filter regulator with pressure gauge | | | | |
| | Proportional standard mist lubricator | | | | |
| Regulating function | With primary pressure compensation | | | | |
| | With secondary venting | | | | |
| | With return flow function | | | | |
| | Output pressure constant | | | | |
| Type of mounting | Via accessories | | | | |
| Assembly position | Vertical $\pm 5^\circ$ | | | | |
| Grade of filtration [µm] | 5 (air purity class at the output 3.7.- to DIN ISO 8573-1) | | | | |
| | 40 (air purity class at the output 5.7.- to DIN ISO 8573-1) | | | | |
| Bowl guard | Plastic bowl guard | | Plastic bowl guard | | |
| | - | | Metal bowl guard | | |
| Condensate drains | Manual rotary | | | | |
| | Fully automatic | | | | |
| Actuator lock | Rotary knob with integrated lock | | | | |
| Pressure regulation range [bar] | 0.3 ... 7 | | | | |
| | 0.5 ... 12 | | | | |
| Pressure indicator | With pressure gauge | | | | |

Service units MSB4/MSB6-FRC, MS series

Technical data

| Standard nominal flow rate $q_{nN}^{1)}$ [l/min] | | | | | | |
|--|-----------------|-----------------|-----------------|-----------------|-----------------|-------|
| Size | MSB4 | | | MSB6 | | |
| Pneumatic connection | G $\frac{1}{8}$ | G $\frac{1}{4}$ | G $\frac{1}{4}$ | G $\frac{3}{8}$ | G $\frac{1}{2}$ | |
| Pressure regulation range 0.3... 7 bar | | | | | | |
| Grade of filtration | 5 μ m | 900 | 1,300 | 2,000 | 4,400 | 4,600 |
| | 40 μ m | 950 | 1,400 | 2,100 | 4,600 | 4,800 |
| Pressure regulation range 0.5... 12 bar | | | | | | |
| Grade of filtration | 5 μ m | 800 | 850 | 1,700 | 3,400 | 3,600 |
| | 40 μ m | 850 | 900 | 1,900 | 3,500 | 3,700 |

1) Measured at $p_1 = 10$ bar and $p_2 = 6$ bar, $\Delta p = 1$ bar.

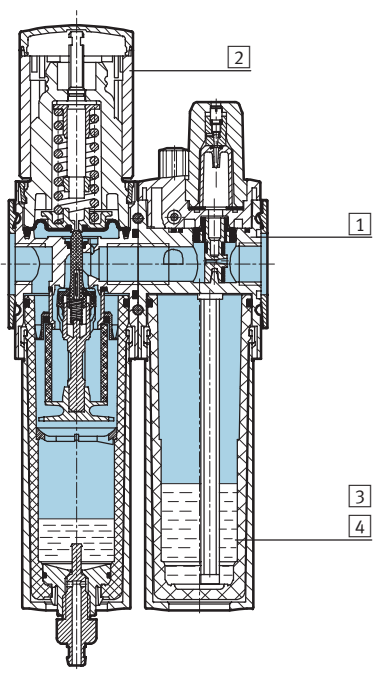
| Operating and environmental conditions | | | | |
|--|-------------------|------|-----------------|------|
| Condensate drains | Manual rotary | | Fully automatic | |
| Size | MSB4 | MSB6 | MSB4 | MSB6 |
| Supply pressure [bar] | 1.5 ... 14 | | 1.5 ... 12 | |
| Operating medium | Compressed air | | | |
| Ambient temperature [°C] | -10 ... +60 | | +5 ... +60 | |
| Temperature of medium [°C] | -10 ... +60 | | +5 ... +60 | |
| Storage temperature [°C] | -10 ... +60 | | -10 ... +60 | |
| Corrosion resistance | CRC ¹⁾ | | 2 | |

1) Corrosion resistance class 2 according to Festo standard 940 070
 Components requiring moderate corrosion resistance. Externally visible parts with primarily decorative surface requirements which are in direct contact with a normal industrial environment or media such as coolants or lubricating agents.

| Weights [g] | |
|-------------------------|------|
| Size | MSB4 |
| With plastic bowl guard | 500 |
| With metal bowl guard | - |

Materials

Sectional view



| Service unit | | |
|--------------|--------------------|-------------------------|
| 1 | Body | Die-cast aluminium |
| 2 | Regulating knob | Polyamide/polyacetate |
| 3 | Plastic bowl guard | Polycarbonate |
| 4 | Metal bowl guard | Wrought aluminium alloy |
| - | Seals | Nitrile rubber |

Service units MSB4/MSB6-FRC, MS series

Technical data



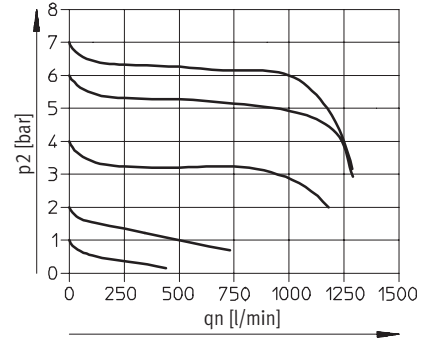
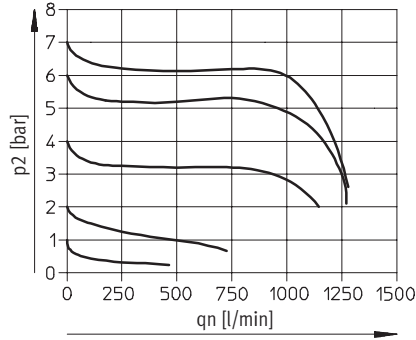
MS series service units
Service units

Standard flow rate q_n as a function of output pressure p_2

Pressure regulation range 0.3 ... 7 bar Grade of filtration 5 μm
MSB4-1/8

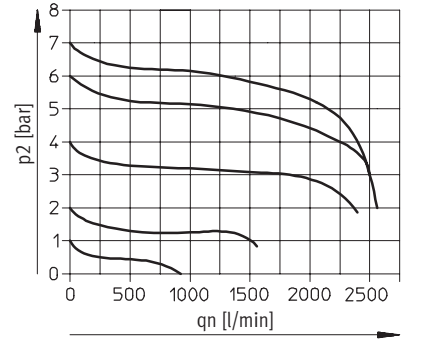
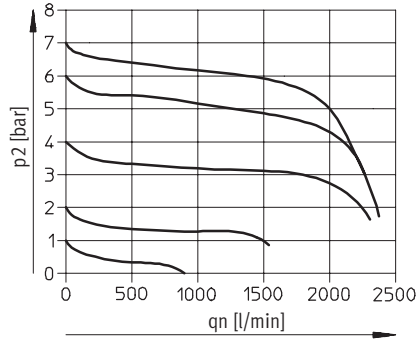
Grade of filtration 40 μm

Primary pressure $p_1 = 10$ bar



MSB4-1/4

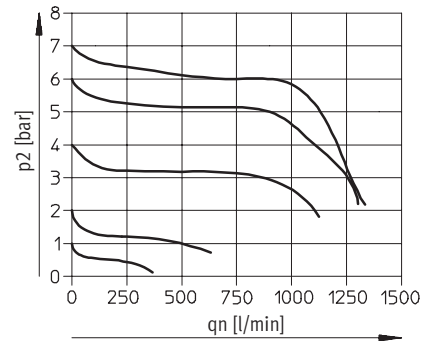
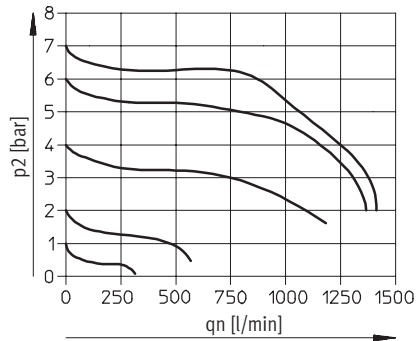
Primary pressure $p_1 = 10$ bar



Pressure regulation range 0.5 ... 12 bar Grade of filtration 5 μm
MSB4-1/8

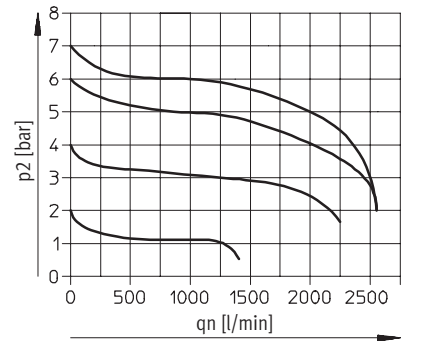
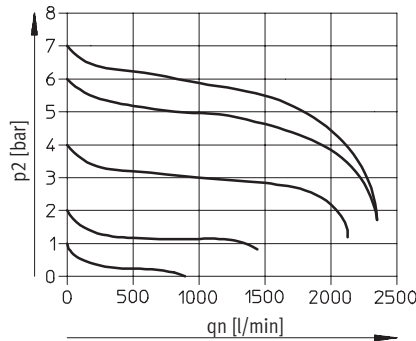
Grade of filtration 40 μm

Primary pressure $p_1 = 10$ bar



MSB4-1/4

Primary pressure $p_1 = 10$ bar



Service units MSB4/MSB6-FRC, MS series

Technical data



Standard flow rate q_n as a function of output pressure p_2

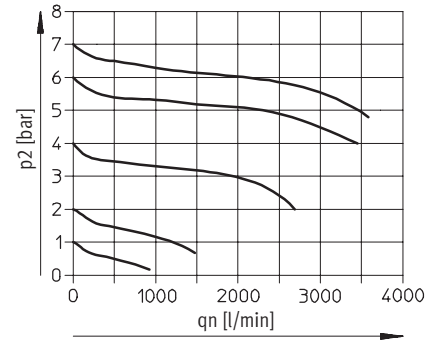
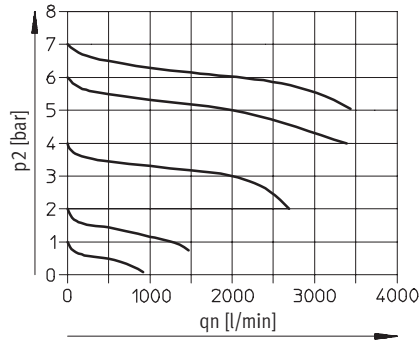
Pressure regulation range 0.3 ... 7 bar

Grade of filtration 5 μm

Grade of filtration 40 μm

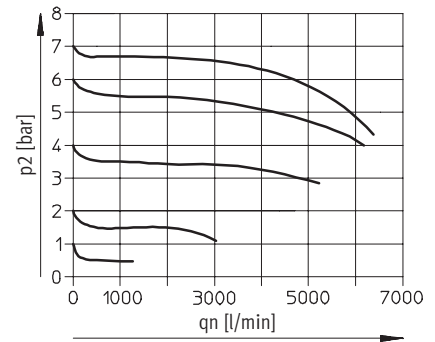
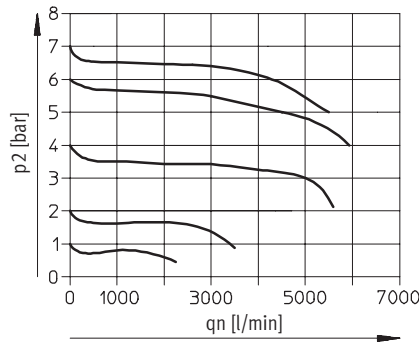
MSB6-1/4

Primary pressure $p_1 = 10$ bar



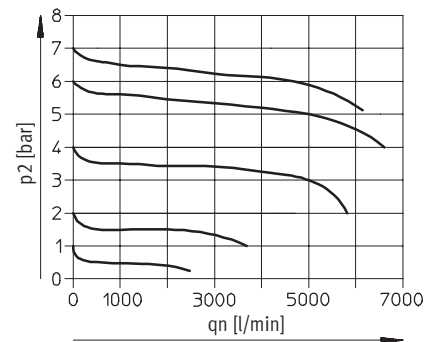
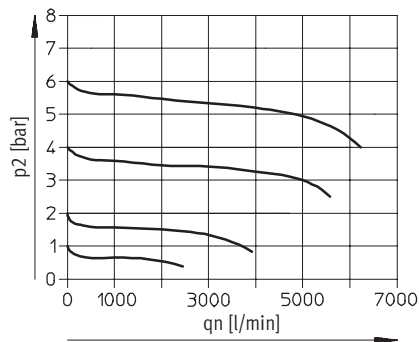
MSB6-3/8

Primary pressure $p_1 = 10$ bar



MSB6-1/2

Primary pressure $p_1 = 10$ bar



Service units MSB4/MSB6-FRC, MS series

Technical data



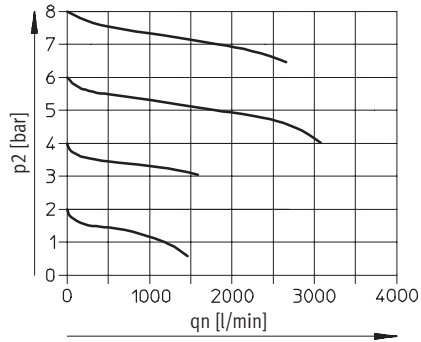
MS series service units
Service units

2

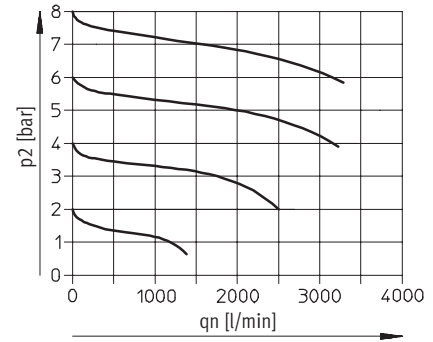
Standard flow rate q_n as a function of output pressure p_2

Pressure regulation range 0.5 ... 12 bar Grade of filtration 5 μm
MSB6-1/4

Primary pressure $p_1 = 10$ bar

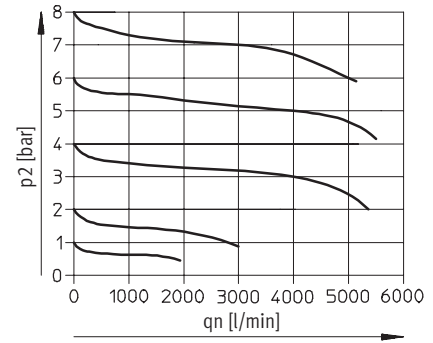
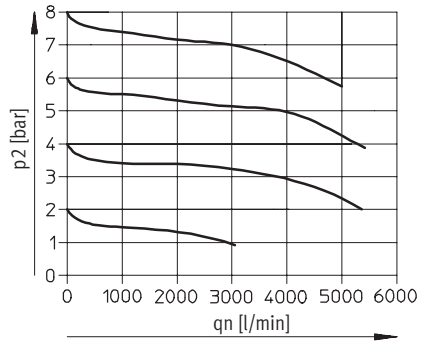


Grade of filtration 40 μm



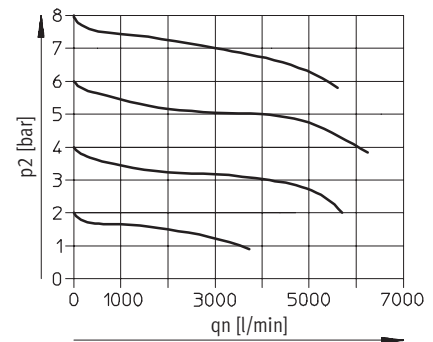
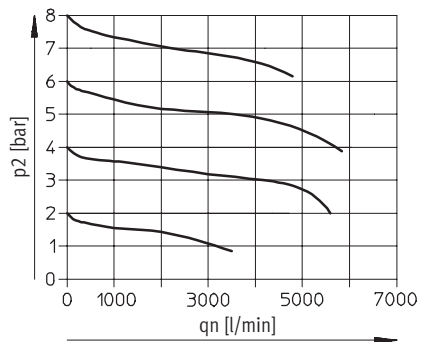
MSB6-3/8

Primary pressure $p_1 = 10$ bar



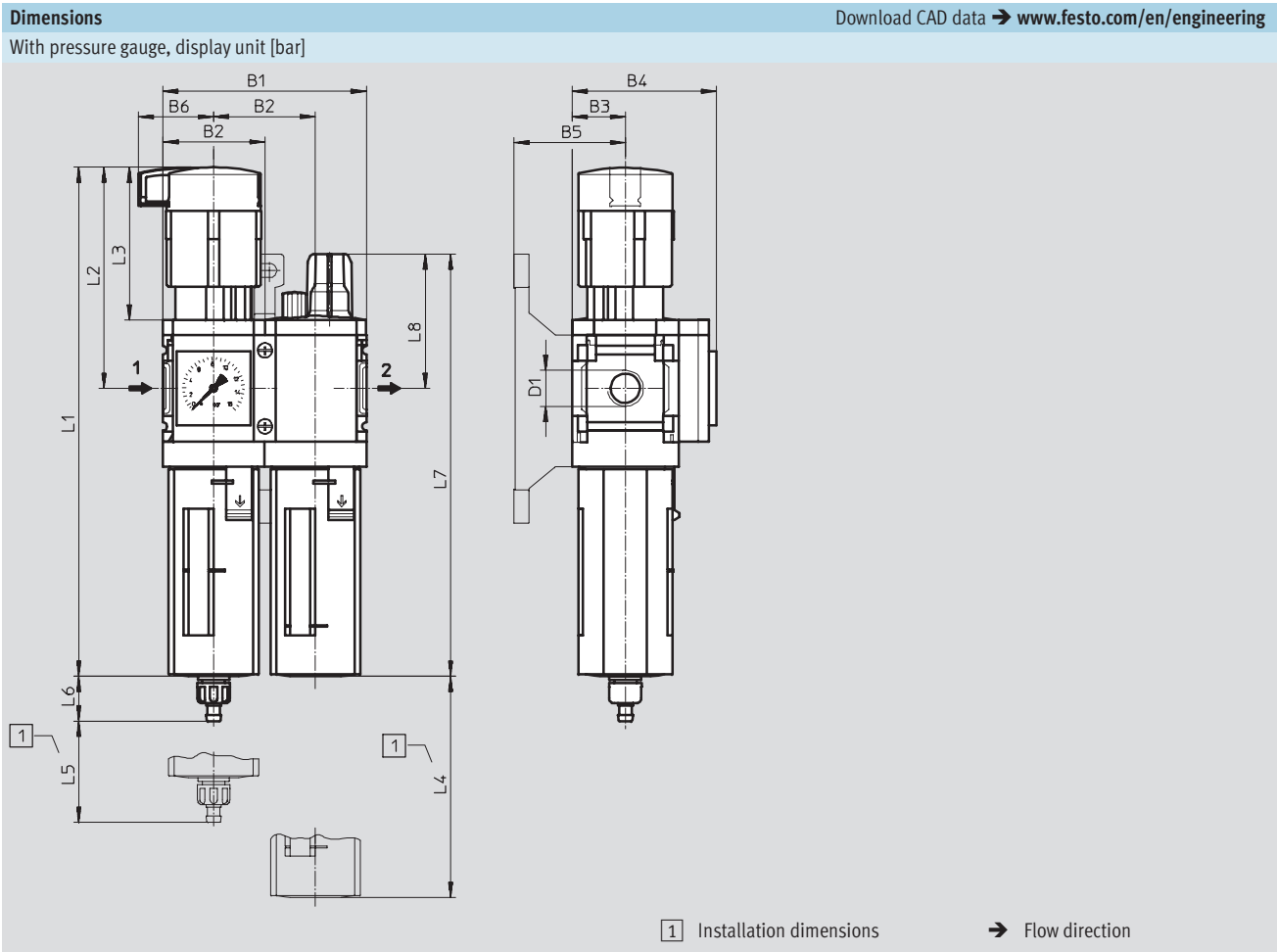
MSB6-1/2

Primary pressure $p_1 = 10$ bar



Service units MSB4/MSB6-FRC, MS series

Technical data



| Type | B1 | B2 | B3 | B4 | B5 | B6 | D1 | L1 | L2 | L3 | L4 | L5 | L6 Condensate drain | | L7 | L8 |
|----------|------|------|----|----|----|------|------|-------|-------|------|-----|----|------------------------|----------------------|-------|------|
| | | | | | | | | | | | | | manual rotary | fully auto- matic | | |
| MSB4-1/8 | 80.4 | 40.2 | 21 | 57 | 44 | 29.7 | G1/8 | 201 | 87 | 60 | 80 | 25 | 17.7 | 20.4 | 167 | 53 |
| MSB4-1/4 | | | | | | | G1/4 | | | | | | | | | |
| MSB6-1/4 | 124 | 62 | 31 | 77 | 54 | 38.8 | G1/4 | 284.8 | 134.5 | 95.5 | 130 | 68 | 15.8 | 18.5 | 215.3 | 65.6 |
| MSB6-3/8 | | | | | | | G3/8 | | | | | | | | | |
| MSB6-1/2 | | | | | | | G1/2 | | | | | | | | | |

Service units MSB4/MSB6-FRC, MS series

FESTO

Technical data

MS series service units
Service units

2

| Ordering data | | | | | | |
|---|------------------|-----------------|--------------------------|--------------------------------|---------------------------|--------------------------------|
| Pressure regulation range 0.3 ... 7 bar | | | | | | |
| Size | Condensate drain | Connection | Grade of filtration 5 µm | | Grade of filtration 40 µm | |
| | | | Part No. | Type | Part No. | Type |
| Plastic bowl guard | | | | | | |
| MSB4 | manual rotary | G $\frac{1}{8}$ | 531 129 | MSB4- $\frac{1}{8}$ -FRC3:J7M1 | 531 125 | MSB4- $\frac{1}{8}$ -FRC1:J5M1 |
| | | G $\frac{1}{4}$ | 531 113 | MSB4- $\frac{1}{4}$ -FRC3:J7M1 | 531 109 | MSB4- $\frac{1}{4}$ -FRC1:J5M1 |
| | fully automatic | G $\frac{1}{8}$ | 531 131 | MSB4- $\frac{1}{8}$ -FRC4:J8M1 | 531 127 | MSB4- $\frac{1}{8}$ -FRC2:J6M1 |
| | | G $\frac{1}{4}$ | 531 115 | MSB4- $\frac{1}{4}$ -FRC4:J8M1 | 531 111 | MSB4- $\frac{1}{4}$ -FRC2:J6M1 |
| MSB6 | manual rotary | G $\frac{1}{4}$ | 530 264 | MSB6- $\frac{1}{4}$ -FRC3:J7M1 | 530 254 | MSB6- $\frac{1}{4}$ -FRC1:J5M1 |
| | | G $\frac{3}{8}$ | 530 288 | MSB6- $\frac{3}{8}$ -FRC3:J7M1 | 530 278 | MSB6- $\frac{3}{8}$ -FRC1:J5M1 |
| | | G $\frac{1}{2}$ | 530 240 | MSB6- $\frac{1}{2}$ -FRC3:J7M1 | 530 230 | MSB6- $\frac{1}{2}$ -FRC1:J5M1 |
| | fully automatic | G $\frac{1}{4}$ | 530 266 | MSB6- $\frac{1}{4}$ -FRC4:J8M1 | 530 262 | MSB6- $\frac{1}{4}$ -FRC2:J6M1 |
| | | G $\frac{3}{8}$ | 530 290 | MSB6- $\frac{3}{8}$ -FRC4:J8M1 | 530 286 | MSB6- $\frac{3}{8}$ -FRC2:J6M1 |
| | | G $\frac{1}{2}$ | 530 242 | MSB6- $\frac{1}{2}$ -FRC4:J8M1 | 530 238 | MSB6- $\frac{1}{2}$ -FRC2:J6M1 |

| Ordering data | | | | | | |
|--|------------------|-----------------|--------------------------|----------------------------------|---------------------------|----------------------------------|
| Pressure regulation range 0.5 ... 12 bar | | | | | | |
| Size | Condensate drain | Connection | Grade of filtration 5 µm | | Grade of filtration 40 µm | |
| | | | Part No. | Type | Part No. | Type |
| Plastic bowl guard | | | | | | |
| MSB4 | manual rotary | G $\frac{1}{8}$ | 531 137 | MSB4- $\frac{1}{8}$ -FRC7:J3M1 | 531 133 | MSB4- $\frac{1}{8}$ -FRC5:J1M1 |
| | | G $\frac{1}{4}$ | 531 121 | MSB4- $\frac{1}{4}$ -FRC7:J3M1 | 531 117 | MSB4- $\frac{1}{4}$ -FRC5:J1M1 |
| | fully automatic | G $\frac{1}{8}$ | 531 139 | MSB4- $\frac{1}{8}$ -FRC8:J4M1 | 531 135 | MSB4- $\frac{1}{8}$ -FRC6:J2M1 |
| | | G $\frac{1}{4}$ | 531 123 | MSB4- $\frac{1}{4}$ -FRC8:J4M1 | 531 119 | MSB4- $\frac{1}{4}$ -FRC6:J2M1 |
| MSB6 | manual rotary | G $\frac{1}{4}$ | 530 272 | MSB6- $\frac{1}{4}$ -FRC7:J3M1 | 530 268 | MSB6- $\frac{1}{4}$ -FRC5:J1M1 |
| | | G $\frac{3}{8}$ | 530 296 | MSB6- $\frac{3}{8}$ -FRC7:J3M1 | 530 292 | MSB6- $\frac{3}{8}$ -FRC5:J1M1 |
| | | G $\frac{1}{2}$ | 530 248 | MSB6- $\frac{1}{2}$ -FRC7:J3M1 | 530 244 | MSB6- $\frac{1}{2}$ -FRC5:J1M1 |
| | fully automatic | G $\frac{1}{4}$ | 530 274 | MSB6- $\frac{1}{4}$ -FRC8:J4M1 | 530 270 | MSB6- $\frac{1}{4}$ -FRC6:J2M1 |
| | | G $\frac{3}{8}$ | 530 298 | MSB6- $\frac{3}{8}$ -FRC8:J4M1 | 530 294 | MSB6- $\frac{3}{8}$ -FRC6:J2M1 |
| | | G $\frac{1}{2}$ | 530 250 | MSB6- $\frac{1}{2}$ -FRC8:J4M1 | 530 246 | MSB6- $\frac{1}{2}$ -FRC6:J2M1 |
| Metal bowl | | | | | | |
| MSB6 | manual rotary | G $\frac{1}{4}$ | 530 258 | MSB6- $\frac{1}{4}$ -FRC11:J9M2 | 530 276 | MSB6- $\frac{1}{4}$ -FRC9:J11M2 |
| | | G $\frac{3}{8}$ | 530 282 | MSB6- $\frac{3}{8}$ -FRC11:J9M2 | 530 300 | MSB6- $\frac{3}{8}$ -FRC9:J11M2 |
| | | G $\frac{1}{2}$ | 530 234 | MSB6- $\frac{1}{2}$ -FRC11:J9M2 | 530 252 | MSB6- $\frac{1}{2}$ -FRC9:J11M2 |
| | fully automatic | G $\frac{1}{4}$ | 530 260 | MSB6- $\frac{1}{4}$ -FRC12:J10M2 | 530 256 | MSB6- $\frac{1}{4}$ -FRC10:J12M2 |
| | | G $\frac{3}{8}$ | 530 284 | MSB6- $\frac{3}{8}$ -FRC12:J10M2 | 530 280 | MSB6- $\frac{3}{8}$ -FRC10:J12M2 |
| | | G $\frac{1}{2}$ | 530 236 | MSB6- $\frac{1}{2}$ -FRC12:J10M2 | 530 232 | MSB6- $\frac{1}{2}$ -FRC10:J12M2 |



MS series service units

Accessories

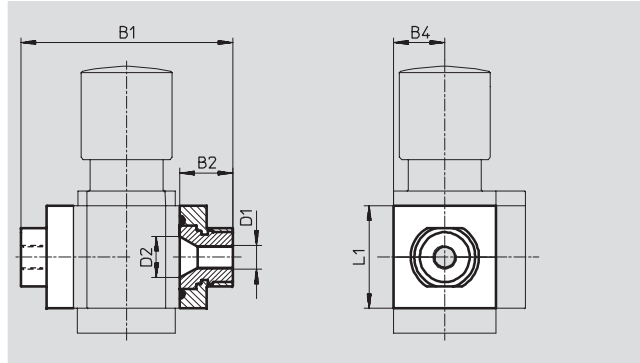


Connecting plate MS4/6-AG...

(order code: AG...)

- Adapter for pneumatic connection
- MS6-AGE for implementing threaded connection G $\frac{3}{4}$

Material:
Aluminium



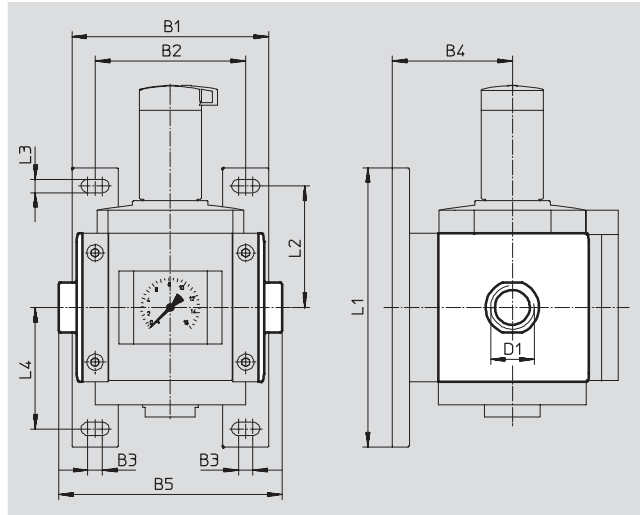
| Dimensions and ordering data | | | | | | | | | |
|------------------------------|------|------|----|-----------------|------|----|------------|----------|---------|
| Size | B1 | B2 | B4 | D1 | D2 | L1 | Weight [g] | Part No. | Type |
| MS4 | 83.5 | 21.5 | 21 | G $\frac{1}{8}$ | 16.8 | 42 | 128 | 526 068 | MS4-AGA |
| | | | | G $\frac{1}{4}$ | | | | 526 069 | MS4-AGB |
| | | | | G $\frac{3}{8}$ | | | | 526 070 | MS4-AGC |
| MS6 | 115 | 26.5 | 31 | G $\frac{1}{4}$ | 24 | 62 | 300 | 526 080 | MS6-AGB |
| | | | | G $\frac{3}{8}$ | | | | 526 081 | MS6-AGC |
| | | | | G $\frac{1}{2}$ | | | | 526 082 | MS6-AGD |
| | | | | G $\frac{3}{4}$ | | | | 526 083 | MS6-AGE |

Connecting plate MS12-AG...

(order code: AG...)

- Adapter for pneumatic connection

Material:
Die-cast aluminium
Free of copper and PTFE



| Dimensions and ordering data | | | | | | | | | | | | | |
|------------------------------|-----|-----|----|----|-----|------------------|-----|-----|----|-----|------------|----------|----------|
| Size | B1 | B2 | B3 | B4 | B5 | D1 | L1 | L2 | L3 | L4 | Weight [g] | Part No. | Type |
| MS12 | 162 | 124 | 12 | 99 | 184 | G1 | 230 | 100 | 11 | 100 | 1,300 | 537 135 | MS12-AGF |
| | | | | | 184 | G1 $\frac{1}{4}$ | | | | | | 537 136 | MS12-AGG |
| | | | | | 184 | G1 $\frac{1}{2}$ | | | | | | 537 137 | MS12-AGH |
| | | | | | 196 | G2 | | | | | | 537 138 | MS12-AGI |

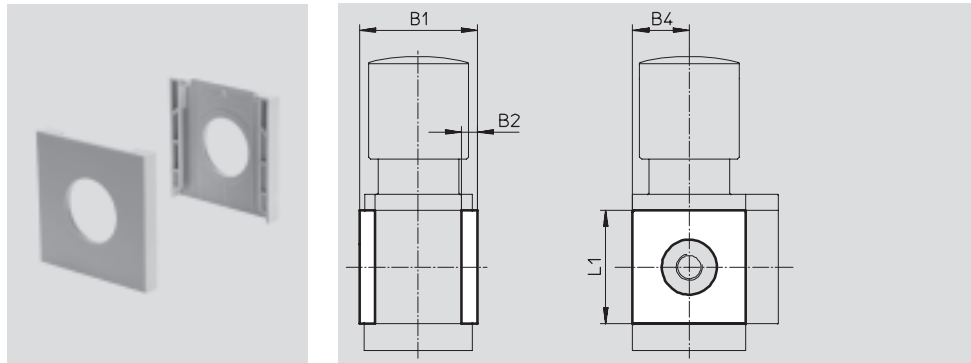
MS series service units

Accessories

Cover cap MS4/6-END

- Can be used to cover the body sides of the first and last module if connecting plates are not used.

Material:
Reinforced polyamide
Free of copper and PTFE



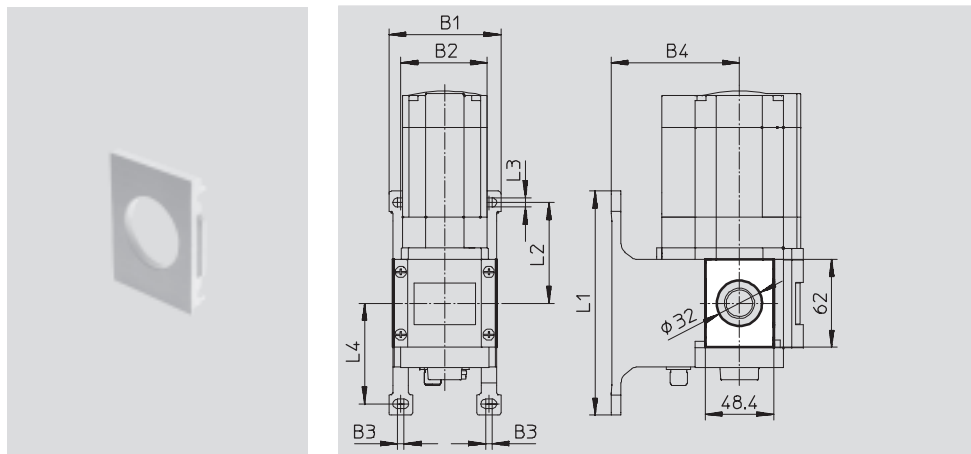
| Dimensions and ordering data | | | | | | |
|------------------------------|------|----|----|----|----------|---------|
| Size | B1 | B2 | B4 | L1 | Part No. | Type |
| MS4 | 43.6 | 6 | 21 | 42 | 538 779 | MS4-END |
| MS6 | 67 | 8 | 31 | 62 | 538 780 | MS6-END |


Mounting plate MS6-AEND

(order code: WBE; scope of delivery includes wall mounting plate MS6-WPB)

- In combination with wall mounting plate MS6-WP or MS6-WPB for mounting an individual unit on a wall with direct thread

Material:
Reinforced polyamide
Free of copper and PTFE



| Dimensions and ordering data | | | | | | | | | | | | |
|------------------------------|----|----|-----|------|-----|----|-----|----|-------------------|------------|----------|--|
| Size | B1 | B2 | B3 | B4 | L1 | L2 | L3 | L4 | CRC ¹⁾ | Weight [g] | Part No. | Type |
| MS6 | 79 | 62 | 4.5 | 90.5 | 158 | 71 | 6.6 | 71 | 2 | 17 | 535 408 | MS6-AEND  New |

1) Corrosion resistance class 2 according to Festo standard 940 070
Components requiring moderate corrosion resistance. Externally visible parts with primarily decorative surface requirements which are in direct contact with a normal industrial environment or media such as coolants or lubricating agents.

MS series service units

Accessories



Mounting bracket MS4/6-WP...

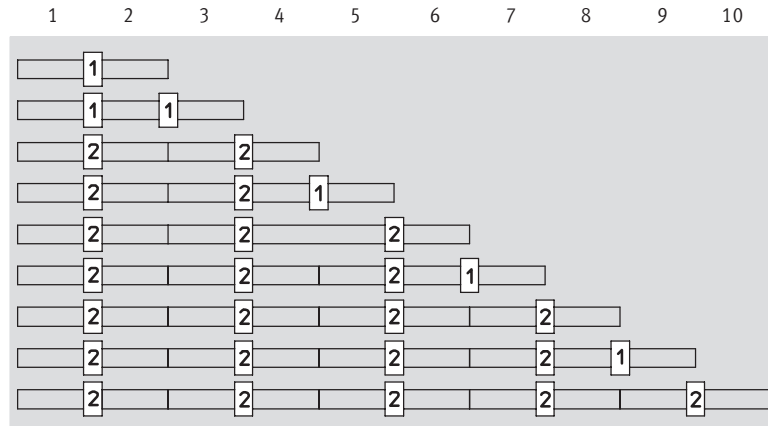
Clearances for mounting service unit combinations

1 unit
MS4-...: 40 mm
MS6-...: 62 mm

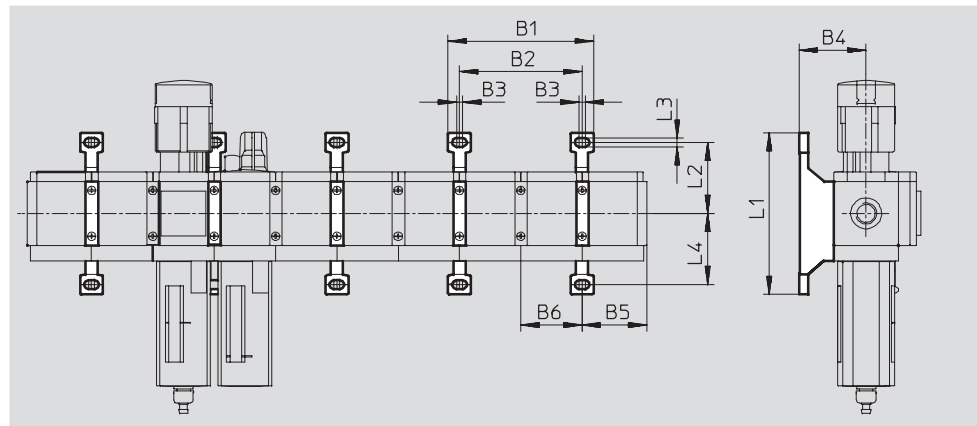
2 units
MS4-...: 80 mm
MS6-...: 124 mm with WP, WPB
138 mm with WPM-2D

- 1 Mounting bracket WP, WPB or WPM-D
- 2 Mounting bracket WP, WPB or WPM-2D

Number of units



Mounting dimensions



| Type | B1 | B2 | B3 | B4 | B5 | B6 | L1 | L2 | L3 | L4 | |
|--------------|------|-----|-----|------|------|----|-----|------|-----|------|------|
| MS4-WP | 95.2 | 80 | 4 | 44 | 41.9 | 40 | 106 | 46.5 | 5.6 | 46.7 | |
| MS4-WPB | | | | 66 | | | | | | 40 | |
| MS4-WPM-...D | | | | 44 | | | | | | 92.8 | 34.8 |
| MS6-WP | 141 | 124 | 4.5 | 54 | 64.5 | 62 | 158 | 71 | 6.6 | 71 | |
| MS6-WPB | | | | 90.5 | | | | | | 69 | 41.3 |
| MS6-WPM-...D | | | | 54 | | | | | | 98.6 | 41.3 |

MS series service units

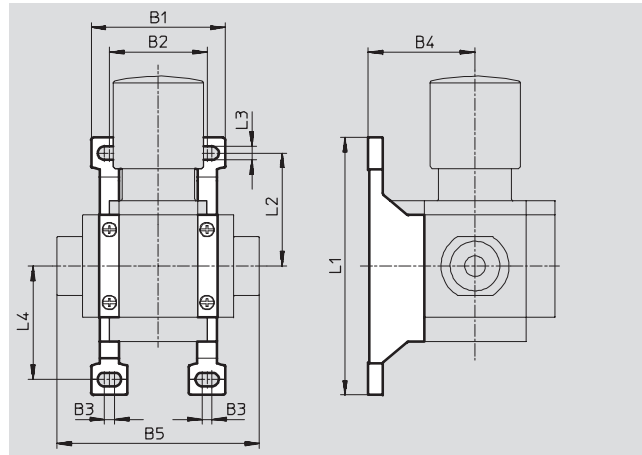
Accessories



Mounting bracket MS4/6-WP

(order code: WP)

- For connecting the modules for wall mounting
- In combination with a connecting plate MS4/6-AG... for mounting an individual unit on a wall
- In combination with mounting plate MS6-AEND or for mounting an individual unit with direct thread on a wall
- For pressure regulator LRB with angled outlet block B... at rear



Material:

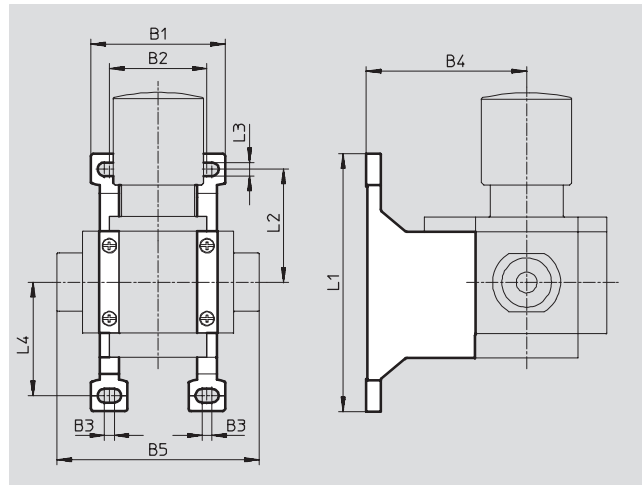
Die-cast aluminium

| Dimensions and ordering data | | | | | | | | | | | | |
|------------------------------|------|------|-----|----|------|-----|------|-----|------|------------|----------|--------|
| Size | B1 | B2 | B3 | B4 | B5 | L1 | L2 | L3 | L4 | Weight [g] | Part No. | Type |
| MS4 | 55.2 | 40.2 | 4 | 44 | 83.4 | 106 | 46.5 | 5.6 | 46.7 | 39 | 532 184 | MS4-WP |
| MS6 | 79 | 62 | 4.5 | 54 | 115 | 158 | 71 | 6.6 | 71 | 76 | 532 195 | MS6-WP |

Mounting bracket MS4/6-WPB

(order code: WPB)

- For connecting the modules for wall mounting
- In combination with a connecting plate MS4/6-AG... for mounting an individual unit on a wall
- In combination with mounting plate MS6-AEND or for mounting an individual unit with direct thread on a wall
- Provides large wall gap for pressure regulator



Material:

Die-cast aluminium

| Dimensions and ordering data | | | | | | | | | | | | |
|------------------------------|------|------|-----|------|------|-----|------|-----|------|------------|----------|---------|
| Size | B1 | B2 | B3 | B4 | B5 | L1 | L2 | L3 | L4 | Weight [g] | Part No. | Type |
| MS4 | 55.2 | 40.2 | 4 | 66 | 83.4 | 106 | 46.5 | 5.6 | 46.7 | 55 | 526 063 | MS4-WPB |
| MS6 | 79 | 62 | 4.5 | 90.5 | 115 | 158 | 71 | 6.6 | 71 | 115 | 526 074 | MS6-WPB |

MS series service units

Accessories



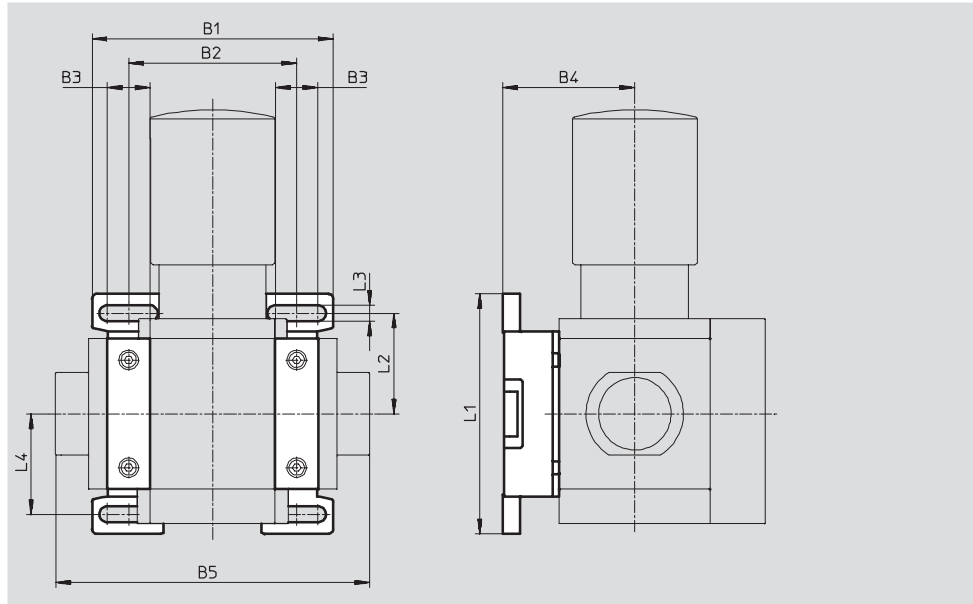
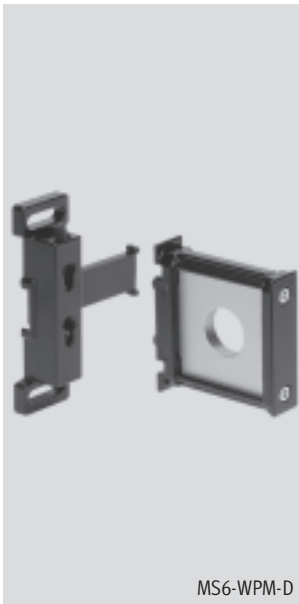
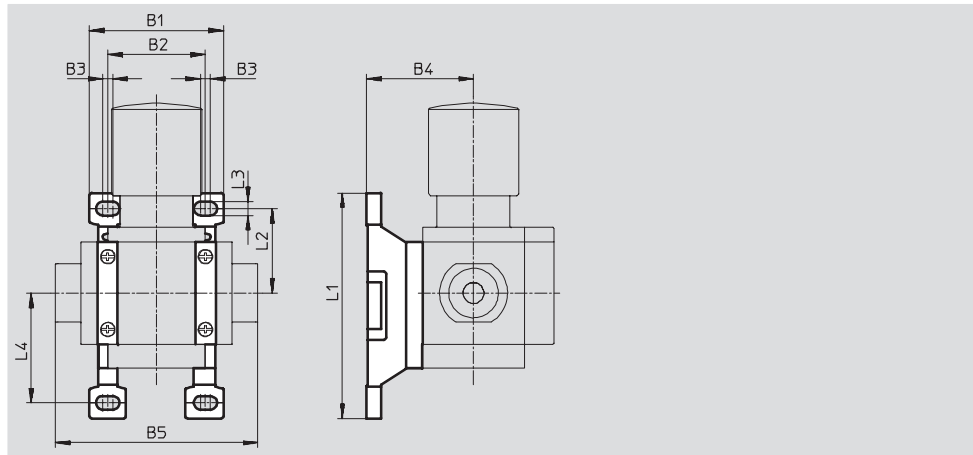
Mounting bracket MS4/6-WPM

(order code: WPM)

- For connecting the modules for wall mounting
- In combination with a connecting plate MS4/6-AG... for mounting an individual unit on a wall
- Speedy attachment and detachment
- For installation of modules with regulating knob pointing downwards

The distance piece D or 2D (designated in the type code) is included in the scope of delivery and ensures the correct clearance

Material:
Die-cast aluminium



| Dimensions and ordering data | | | | | | | | | | | | | |
|------------------------------|------|-----|------|----|-------|------|------|-----|------|-----------|------------|----------|------------|
| Size | B1 | B2 | B3 | B4 | B5 | L1 | L2 | L3 | L4 | Clearance | Weight [g] | Part No. | Type |
| MS4 | 55.2 | 40 | 4 | 44 | 83.4 | 92.8 | 34.8 | 5.6 | 45.2 | 40 | 45 | 526 060 | MS4-WPM-D |
| | 95.2 | 80 | | | 123.4 | | | | | 80 | 55 | 526 061 | MS4-WPM-2D |
| MS6 | 99 | 69 | 17.5 | 54 | 129 | 98.6 | 41.3 | 6.6 | 41.3 | 62 | 144 | 526 073 | MS6-WPM-D |
| | 168 | 138 | | | 198 | | | | | 124 | 154 | 532 186 | MS6-WPM-2D |

MS series service units

Accessories

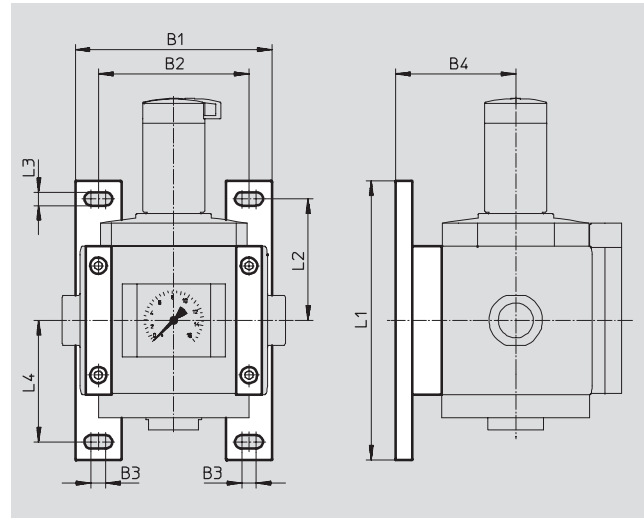


Wall mounting plate MS12-WP

(order code: WP)

- For connecting the modules for wall mounting
- In combination with a connecting plate for mounting an individual unit on a wall

Material:
Die-cast aluminium
Free of copper and PTFE



| Dimensions and ordering data | | | | | | | | | | | |
|------------------------------|-----|-----|----|----|-----|-----|----|-----|------------|----------|---------|
| Size | B1 | B2 | B3 | B4 | L1 | L2 | L3 | L4 | Weight [g] | Part No. | Type |
| MS12 | 162 | 124 | 12 | 99 | 230 | 100 | 11 | 100 | 700 | 537 133 | MS12-WP |

Module connector MS...-MV

- For connecting modules

Material:
MS4/6: Stainless steel/polyacetate

MS12: Die-cast aluminium,
free of copper and PTFE



MS4/6



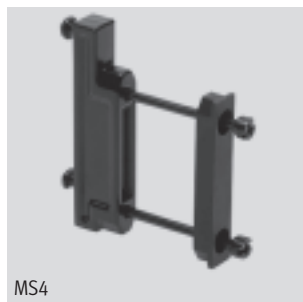
MS12

| Ordering data | | | |
|---------------|------------|----------|---------|
| Size | Weight [g] | Part No. | Type |
| MS4 | 36 | 532 798 | MS4-MV |
| MS6 | 54 | 532 799 | MS6-MV |
| MS12 | 500 | 537 134 | MS12-MV |

Module connector MS4/6-MVM

- For installation of modules with regulating knob pointing downwards

Material:
Die-cast aluminium



MS4



MS6

| Ordering data | | |
|---------------|----------|---------|
| Size | Part No. | Type |
| MS4 | 532 800 | MS4-MVM |
| MS6 | 532 801 | MS6-MVM |

MS series service units

Accessories



Filter cartridge MS4/6-LF...



MS...-LFM



MS...-LFP



MS...-LFX

| Ordering data | | | | |
|---------------|--------------------------------|---|----------|------------------|
| Size | | Grade of filtration [µm] | Part No. | Type |
| MS4 | Micro-filter cartridge | 0.01 | 162 674 | MS4/D-MINI-LFM-A |
| | Fine-filter cartridge | 1 | 162 677 | MS4/D-MINI-LFM-B |
| | Filter cartridge | 5 | 534 501 | MS4-LFP-C |
| | Filter cartridge | 40 | 534 502 | MS4-LFP-E |
| | Active carbon filter cartridge | Residual oil content ≤ 0.003 mg/m ³ | 532 912 | MS4/D-MINI-LFX |
| MS6 | Micro-filter cartridge | 0.01 | 532 909 | MS6-LFM-A |
| | Fine-filter cartridge | 1 | 532 910 | MS6-LFM-B |
| | Filter cartridge | 5 | 534 499 | MS6-LFP-C |
| | Filter cartridge | 40 | 534 500 | MS6-LFP-E |
| | Active carbon filter cartridge | Residual oil content ≤ 0.003 mg/m ³ | 532 911 | MS6-LFX |

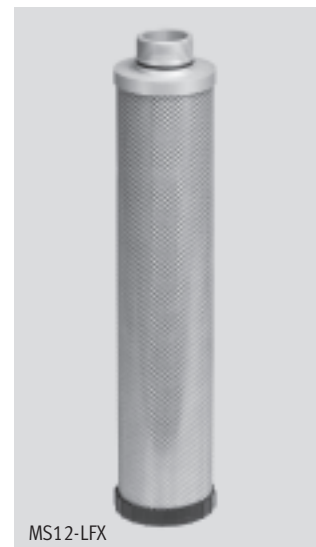
Filter cartridge MS12-LF...



MS12-LFM-B



MS12-LFM-A



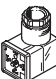
MS12-LFX


| Ordering data | | | | |
|---------------|--------------------------------|---|----------|------------|
| Size | | Grade of filtration [µm] | Part No. | Type |
| MS12 | Micro-filter cartridge | 0.01 | 537 146 | MS12-LFM-A |
| | Fine-filter cartridge | 1 | 537 145 | MS12-LFM-B |
| | Filter cartridge | 5 | 537 143 | MS12-LFP-C |
| | Filter cartridge | 40 | 537 144 | MS12-LFP-E |
| | Active carbon filter cartridge | Residual oil content ≤ 0.003 mg/m ³ | 537 147 | MS12-LFX |

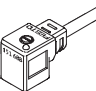
MS series service units


Accessories


FESTO

| Ordering data – Angled socket PEV | | | | | Technical data → www.festo.com | |
|---|------------------|--------------------------|-----------------------|--------------------------|---|-------------------------|
| | Description | Operating voltage range | Electrical connection | Switching status display | Part No. | Type |
|  | for PEV-¼-...-OD | 15 ... 30 V DC | 4-pin | Yellow LED | 164 274 | PEV-¼-WD-LED-24 |
| | | ≤ 230 V AC ≤ 180 V DC | 4-pin | Yellow LED | 164 275 | PEV-¼-WD-LED-230 |
| | | | | | | |

| Ordering data – Plug socket MSSD | | | | | Technical data → www.festo.com | |
|---|------------------|-------------------------|------------------------------------|------------------------------------|---|----------------------|
| | Description | Operating voltage range | Electrical connection | Type of mounting cable connection | Part No. | Type |
|  | for PEV-¼-...-OD | ≤ 250 V AC/DC | 3-pin | Clamping screws | 171 157 | MSSD-C-4P |
| | for MS4/6-EE/DE | ≤ 250 V AC/DC | 3-pin | Clamping screws | 151 687 | MSSD-EB |
| | | | 4-pin | Insulation displacement technology | 192 745 | MSSD-EB-S-M14 |
| | for MS12-EE/DE | ≤ 250 V AC/DC | 3-pin | Clamping screws | 34 583 | MSSD-C |
| 4-pin | | | Insulation displacement technology | 192 748 | MSSD-C-S-M16 | |

| Ordering data – Plug socket with cable KMEB/KMC | | | | | Technical data → www.festo.com | |
|---|-----------------|-------------------------|--------------------------|------------------|---|---------------------------|
| | Description | Operating voltage range | Switching status display | Cable length [m] | Part No. | Type |
|  | for MS4/6-EE/DE | 24 V DC | LED | 2.5 | 151 688 | KMEB-1-24-2,5-LED |
| | | 24 V DC | LED | 5 | 151 689 | KMEB-1-24-5-LED |
| | | 24 V DC | LED | 10 | 193 457 | KMEB-1-24-10-LED |
| | | 230 V AC | – | 2.5 | 151 690 | KMEB-1-230AC-2,5 |
| | | 230 V AC | – | 5 | 151 691 | KMEB-1-230AC-5 |
| | for MS12-EE/DE | 24 V DC | LED | 2.5 | 30 931 | KMC-1-24DC-2,5-LED |
| | | 24 V DC | LED | 5 | 30 933 | KMC-1-24DC-5-LED |
| | | 24 V DC | LED | 10 | 193 459 | KMC-1-24-10-LED |
| | | 230 V AC | – | 2.5 | 30 932 | KMC-1-230AC-2,5 |
| | | 230 V AC | – | 5 | 30 934 | KMC-1-230AC-5 |

| Ordering data – Illuminating seal MEB-LD/MC-LD | | | | Technical data → www.festo.com | |
|---|---|-------------------------|----------------|---|--|
| | Description | Operating voltage range | Part No. | Type | |
|  | for plug socket with cable KMEB and plug socket MSSD-EB | 12 ... 24 V DC | 151 717 | MEB-LD-12-24DC | |
| | | 230 V DC/AC ±10% | 151 718 | MEB-LD-230AC | |
| | for plug socket with cable KMC and plug socket MSSD-C | 12 ... 24 V DC | 19 145 | MC-LD-12-24DC | |
| | | 230 V DC/AC ±10% | 19 146 | MC-LD-230AC | |


| Ordering data – Locking clip CPV18-HV | | | | Technical data → www.festo.com | |
|---|--|----------|------|---|-----------------|
| | Description | Part No. | Type | PU ¹⁾ | |
|  | for MS4/6-EE/DE-...-V24 | | | 530 056 | CPV18-HV |
| | Cover for manual override, the clip prevents actuation | | | | 10 |


1) Packaging unit quantity

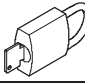
MS series service units

Accessories



| Ordering data – Silencer U | | | Technical data → www.festo.com | |
|---|----------------|----------------------|---|---------|
| | Description | Pneumatic connection | Part No. | Type |
|  | for MS4-EM1/EE | G1/4 | 6 842 | U-1/4-B |
| | for MS6-EM1/EE | G1/2 | 6 844 | U-1/2-B |
| | for MS12-EM/EE | G1 | 151 990 | U-1-B |

| Ordering data – Double nipple ESK | | | | | |
|---|---|----------------------|------|----------|-------------|
| | Description | Pneumatic connection | | Part No. | Type |
|  | Adjustable for angular compensation • For retro-fitting pressure switch PEV or pressure sensor SDE1 to branching module MS-FRM | R1/8 | R1/4 | 534 151 | ESK-1/8-1/4 |
| | | R1/4 | R1/4 | 151 521 | ESK-1/4-1/4 |
| | | | R1/2 | 534 153 | ESK-1/4-1/2 |

| Ordering data – Padlock LRVS-D | | | | |
|---|-----------------------------------|------------|----------|--------|
| | Description | Weight [g] | Part No. | Type |
|  | for filter or pressure regulators | 120 | 193 786 | LRVS-D |

| Ordering data – Special oil OFSW | | | | |
|---|-----------------|-------------------|----------|---------|
| | Description | Scope of delivery | Part No. | Type |
|  | for lubricators | 1 litre | 152 811 | OFSW-32 |