

Pressure gauge MA, DIN EN 837-1

Technical data

Function



-  - Temperature range
-20 ... +60 °C



Technical data					
Nominal size	40			50	63
Pneumatic connection	R $\frac{1}{8}$	R $\frac{1}{4}$	G $\frac{1}{4}$	G $\frac{1}{4}$	G $\frac{1}{4}$
Operating medium	Liquid media				
	Gaseous media				
	Not permitted: Oxygen				
	Not permitted: Acetylene				
Design	Bourdon tube pressure gauge				
Conforms to	DIN EN 837-1				
Type of mounting	Can be screwed in				
Connection position	Centre, rear side				
Ambient temperature [°C]	-20 ... +60				
Accuracy of measurement, class	2.5				
Factor, continuous load	0.75				
Factor, intermittent load	0.66				
Protection class	IP43				
Weight [g]	60	70	70	70	80

Materials	
Housing	Acrylic butadiene styrene
Sight glass	Polystyrene
Threaded plug	Brass

Indicating range						
Nominal size		40			50	63
Pneumatic connection		R $\frac{1}{8}$	R $\frac{1}{4}$	G $\frac{1}{4}$	G $\frac{1}{4}$	G $\frac{1}{4}$
[bar]	[psi]					
0 ... 1	0 ... 14.5	-	-	-	-	■
0 ... 2.5	0 ... 36	-	-	-	■	■
0 ... 6	0 ... 87	-	■	■	-	-
0 ... 10	0 ... 145	■	■	■	■	■
0 ... 16	0 ... 232	■	■	■	■	■
0 ... 25	0 ... 360	■	■	■	-	-

Pressure gauge MA, DIN EN 837-1

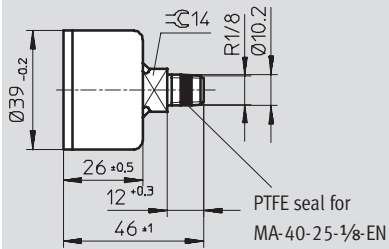
Technical data

FESTO

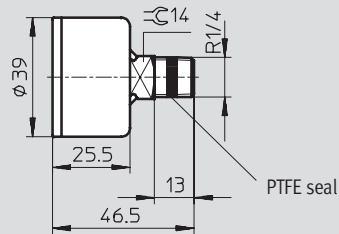
Dimensions

Download CAD data → www.festo.com/en/engineering

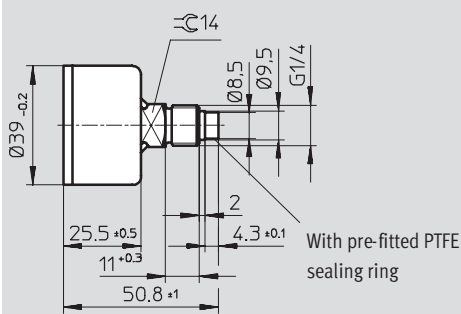
MA-40, R $\frac{1}{8}$



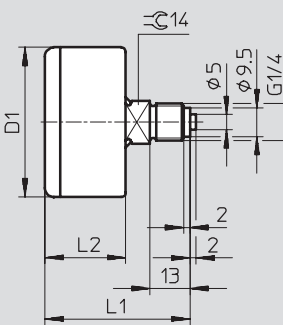
MA-40, R $\frac{1}{4}$



MA-40, G $\frac{1}{4}$



MA-50/63, G $\frac{1}{4}$



Type	D1 \varnothing	L1	L2
MA-50	49	47.5	26.5
MA-63	61.5	48.5	27.5

Pressure gauge MA, DIN EN 837-1

FESTO

Technical data

Ordering data					
Nominal size	Pneumatic connection	Indicating range		Part No.	Type
		[bar]	[psi]		
40	R $\frac{1}{8}$	0 ... 10	0 ... 145	162 835	MA-40-10- $\frac{1}{8}$ -EN
		0 ... 16	0 ... 232	162 836	MA-40-16- $\frac{1}{8}$ -EN
		0 ... 25	0 ... 360	526 167	MA-40-25- $\frac{1}{8}$ -EN
	R $\frac{1}{4}$	0 ... 6	0 ... 87	187 078	MA-40-6-R $\frac{1}{4}$ -EN
		0 ... 10	0 ... 145	187 079	MA-40-10-R $\frac{1}{4}$ -EN
		0 ... 16	0 ... 232	187 080	MA-40-16-R $\frac{1}{4}$ -EN
		0 ... 25	0 ... 360	187 081	MA-40-25-R $\frac{1}{4}$ -EN
	G $\frac{1}{4}$	0 ... 6	0 ... 87	183 899	MA-40-6-G $\frac{1}{4}$ -EN
		0 ... 10	0 ... 145	183 900	MA-40-10-G $\frac{1}{4}$ -EN
		0 ... 16	0 ... 232	183 901	MA-40-16-G $\frac{1}{4}$ -EN
		0 ... 25	0 ... 360	183 902	MA-40-25-G $\frac{1}{4}$ -EN
	50	G $\frac{1}{4}$	0 ... 2.5	0 ... 36	162 837
0 ... 10			0 ... 145	162 838	MA-50-10- $\frac{1}{4}$ -EN
0 ... 16			0 ... 232	162 839	MA-50-16- $\frac{1}{4}$ -EN
63	G $\frac{1}{4}$	0 ... 1	0 ... 14.5	162 844	MA-63-1- $\frac{1}{4}$ -EN
		0 ... 2.5	0 ... 36	162 845	MA-63-2,5- $\frac{1}{4}$ -EN
		0 ... 10	0 ... 145	162 840	MA-63-10- $\frac{1}{4}$ -EN
		0 ... 16	0 ... 232	162 841	MA-63-16- $\frac{1}{4}$ -EN

Pressure gauge MA, DIN EN 837-1, with red-green range

Technical data



Function



-  - Temperature range
-20 ... +60 °C



The adjustable red-green range provides additional safety when monitoring compressed air.

With the two red segments above the pressure gauge scale along with the printed green segment it is possible to individually limit the desired pressure range.

This coloured demarcation enables you to recognise immediately whether or not the pressure is in the permitted tolerance range.

Technical data			
Nominal size	40	50	63
Pneumatic connection	R $\frac{1}{8}$	R $\frac{1}{4}$	R $\frac{1}{4}$
Operating medium	Liquid media		
	Gaseous media		
	Not permitted: Oxygen		
	Not permitted: Acetylene		
Design	Bourdon tube pressure gauge		
Type of mounting	Can be screwed in		
Connection position	Centre, rear side		
Ambient temperature [°C]	-20 ... +60		
Accuracy of measurement, class	2.5		
Factor, continuous load	0.75		
Factor, intermittent load	0.66		
Protection class	IP43		
Weight [g]	62	76	88

Materials	
Housing	Acrylic butadiene styrene
Sight glass	Polymethylmethacrylate

Indicating range			
Nominal size	40	50	63
Pneumatic connection	R $\frac{1}{8}$	R $\frac{1}{4}$	R $\frac{1}{4}$
[bar]			
0 ... 2.5	-	■	■
0 ... 10	■	■	■
0 ... 16	■	■	■
[MPa]			
0 ... 0.25	-	■	■
0 ... 1	■	■	■
0 ... 1.6	■	■	■
[psi]			
0 ... 36	-	■	■
0 ... 145	■	■	■
0 ... 232	■	■	■

Individual units
Pressure gauges

4.8

Pressure gauge MA, DIN EN 837-1, with red-green range

Technical data

Dimensions Download CAD data → www.festo.com/en/engineering

MA...-E-RG

coated with a thread sealing medium

Type	D1 ∅ ±0.5	D2	L1 ±1	L2 ±0.5	L3
MA-40...-E-RG	39	R ¹ / ₈	46	28	10
MA-50...-E-RG	49	R ¹ / ₄	49	28	13
MA-63...-E-RG	61.5	R ¹ / ₄	50.5	29.5	13

Ordering data					
Nominal size	Pneumatic connection	Indicating range	Part No.	Type	
Display unit [bar]					
40	R ¹ / ₈	0 ... 10	525 725	MA-40-10-R ¹ / ₈ -E-RG	
		0 ... 16	525 726	MA-40-16-R ¹ / ₈ -E-RG	
50	R ¹ / ₄	0 ... 2.5	525 727	MA-50-2,5-R ¹ / ₄ -E-RG	
		0 ... 10	525 728	MA-50-10-R ¹ / ₄ -E-RG	
		0 ... 16	525 729	MA-50-16-R ¹ / ₄ -E-RG	
63	R ¹ / ₄	0 ... 2.5	525 730	MA-63-2,5-R ¹ / ₄ -E-RG	
		0 ... 10	525 731	MA-63-10-R ¹ / ₄ -E-RG	
		0 ... 16	525 732	MA-63-16-R ¹ / ₄ -E-RG	
Display unit [MPa]					
40	R ¹ / ₈	0 ... 1	526 778	MA-40-1,0-R ¹ / ₈ -MPA-E-RG	
		0 ... 1.6	526 779	MA-40-1,6-R ¹ / ₈ -MPA-E-RG	
50	R ¹ / ₄	0 ... 0.25	526 780	MA-50-0,25-R ¹ / ₄ -MPA-E-RG	
		0 ... 1	526 781	MA-50-1,0-R ¹ / ₄ -MPA-E-RG	
		0 ... 1.6	526 782	MA-50-1,6-R ¹ / ₄ -MPA-E-RG	
63	R ¹ / ₄	0 ... 0.25	526 783	MA-63-0,25-R ¹ / ₄ -MPA-E-RG	
		0 ... 1	526 784	MA-63-1,0-R ¹ / ₄ -MPA-E-RG	
		0 ... 1.6	526 785	MA-63-1,6-R ¹ / ₄ -MPA-E-RG	
Display unit [psi]					
40	R ¹ / ₈	0 ... 145	526 786	MA-40-145-R ¹ / ₈ -PSI-E-RG	
		0 ... 232	526 787	MA-40-232-R ¹ / ₈ -PSI-E-RG	
50	R ¹ / ₄	0 ... 36	526 788	MA-50-36-R ¹ / ₄ -PSI-E-RG	
		0 ... 145	526 789	MA-50-145-R ¹ / ₄ -PSI-E-RG	
		0 ... 232	526 790	MA-50-232-R ¹ / ₄ -PSI-E-RG	
63	R ¹ / ₄	0 ... 36	526 791	MA-63-36-R ¹ / ₄ -PSI-E-RG	
		0 ... 145	526 792	MA-63-145-R ¹ / ₄ -PSI-E-RG	
		0 ... 232	526 793	MA-63-232-R ¹ / ₄ -PSI-E-RG	

Individual units
Pressure gauges


Pressure gauge MA

Technical data

FESTO

Function



-  - Temperature range
-20 ... +60 °C



Technical data							
Nominal size	23	27		40		50	63
Pneumatic connection	R $\frac{1}{8}$	M5	R $\frac{1}{8}$	G $\frac{1}{8}$	G $\frac{1}{4}$	G $\frac{1}{4}$	G $\frac{1}{4}$
Operating medium	-		Liquid media			-	
	Gaseous media						
	Not permitted: Oxygen						
	Not permitted: Acetylene						
Design	Bourdon tube pressure gauge						Capsule pressure gauge
Type of mounting	Threaded						
Connection position	Centre, rear side						
Ambient temperature [°C]	-20 ... +60	0 ... +60		-20 ... +60			
Accuracy of measurement, class	5	4		2.5		1.6	
Factor, continuous load	-	0.75		1			
Factor, intermittent load	-	0.66		0.9			
Protection class	-	IP43					
Weight [g]	27	11	8	60	70	70	180

Materials							
Nominal size	23	27		40		50	63
Pneumatic connection	R $\frac{1}{8}$	M5	R $\frac{1}{8}$	G $\frac{1}{8}$	G $\frac{1}{4}$	G $\frac{1}{4}$	G $\frac{1}{4}$
Housing	Brass	Polyamide		Acrylic butadiene styrene		Steel	
Dial cover	Polycarbonate	Polystyrene		Polystyrene		Polymethylmethacrylate	
Threaded plug	Brass	Brass	Polyamide	Brass		Brass	

Pressure gauge MA

Technical data

FESTO

Indicating range								
Nominal size		23	27	40		50	63	
Pneumatic connection		R $\frac{1}{8}$	M5	R $\frac{1}{8}$	G $\frac{1}{8}$	G $\frac{1}{4}$	G $\frac{1}{4}$	G $\frac{1}{4}$
[bar]	[psi]							
0 ... 0.25	0 ... 3.6	-	-	-	-	-	-	■
0 ... 6	0 ... 87	■	-	-	-	-	-	-
0 ... 10	0 ... 145	■	-	-	■	-	■	-
0 ... 16	0 ... 232	■	-	■	■	-	■	-
0 ... 25	0 ... 360	-	-	■	-	-	-	-
[bar]								
0 ... 10		-	■	-	-	-	-	-
[MPa]								
0 ... 0.6		-	-	-	-	■	-	-
0 ... 1		-	■	-	■	■	■	-
0 ... 1.6		-	-	-	■	■	■	-
0 ... 2.5		-	-	-	-	■	-	-
[psi]								
0 ... 160		-	■	-	-	-	-	-

Pressure gauge MA

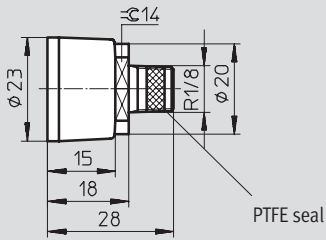
Technical data

FESTO

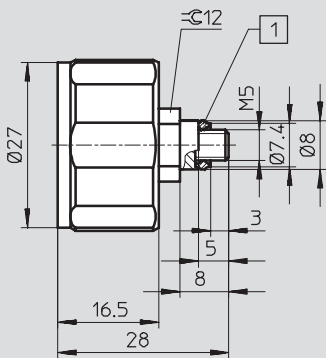
Dimensions

Download CAD data → www.festo.com/en/engineering

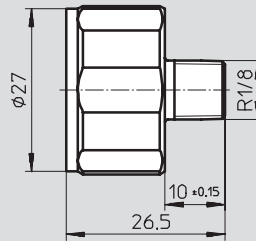
MA-23



MA-27, M5

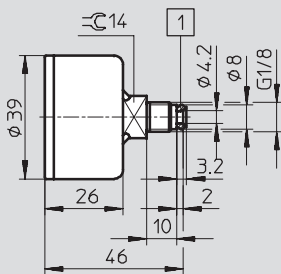


MA-27, R1/8

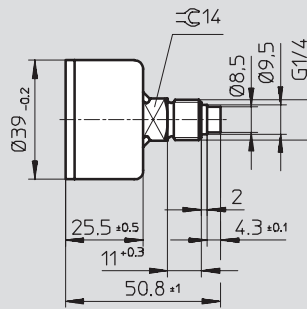


1 With pre-fitted polyamide sealing ring

MA-40, G1/8

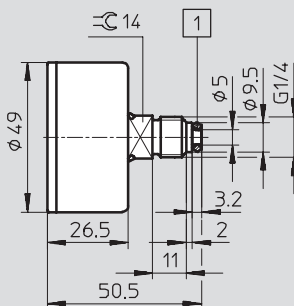


MA-40, G1/4

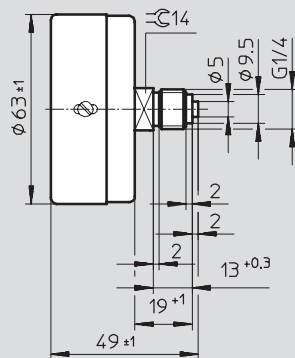


1 With pre-fitted aluminium sealing ring

MA-50



MA-63



1 With pre-fitted aluminium sealing ring

Pressure gauge MA

Technical data

FESTO

Ordering data					
Nominal size	Pneumatic connection	Indicating range		Part No.	Type
		[bar]	[psi]		
23	R $\frac{1}{8}$	0 ... 6	0 ... 87	183 896	MA-23-6-R $\frac{1}{8}$
		0 ... 10	0 ... 145	183 897	MA-23-10-R $\frac{1}{8}$
		0 ... 16	0 ... 232	183 898	MA-23-16-R $\frac{1}{8}$
27	R $\frac{1}{8}$	0 ... 16	0 ... 232	541 733	MA-27-16-R $\frac{1}{8}$
		0 ... 25	0 ... 360	541 734	MA-27-25-R $\frac{1}{8}$
40	G $\frac{1}{8}$	0 ... 10	0 ... 145	359 874	MA-40-10- $\frac{1}{8}$
		0 ... 16	0 ... 232	345 395	MA-40-16- $\frac{1}{8}$
50	G $\frac{1}{4}$	0 ... 10	0 ... 145	359 873	MA-50-10- $\frac{1}{4}$
		0 ... 16	0 ... 232	356 759	MA-50-16- $\frac{1}{4}$
63	G $\frac{1}{4}$	0 ... 0.25	0 ... 3.6	7 169	MA-63-0,25

Ordering data					
Nominal size	Pneumatic connection	Indicating range		Part No.	Type
		[bar]	[psi]		
Display unit [bar]					
27	M5	0 ... 10		526 323	MA-27-10-M5
Display unit [MPa]					
27	M5	0 ... 1		526 324	MA-27-1,0-M5-MPA
40	G $\frac{1}{8}$	0 ... 1		192 732	MA-40-1-G $\frac{1}{8}$ -MPA
		0 ... 1.6		192 733	MA-40-1,6-G $\frac{1}{8}$ -MPA
	G $\frac{1}{4}$	0 ... 0.6		184 285	MA-40-0,6-G $\frac{1}{4}$ -MPA
		0 ... 1		184 286	MA-40-1,0-G $\frac{1}{4}$ -MPA
		0 ... 1.6		184 287	MA-40-1,6-G $\frac{1}{4}$ -MPA
		0 ... 2.5		184 288	MA-40-2,5-G $\frac{1}{4}$ -MPA
50	G $\frac{1}{4}$	0 ... 1		192 734	MA-50-1-G $\frac{1}{4}$ -MPA
		0 ... 1.6		192 735	MA-50-1,6-G $\frac{1}{4}$ -MPA
Display unit [psi]					
27	M5	0 ... 160		527 405	MA-27-160-M5-PSI

Precision pressure gauge MAP, DIN EN 837-1

Technical data

FESTO

Function



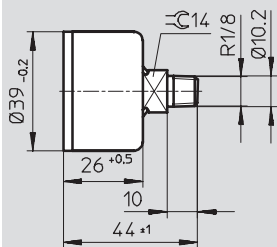
-  - Temperature range
-20 ... +60 °C



Technical data					
Nominal size	40				
Pneumatic connection	R $\frac{1}{8}$				
Operating medium	Liquid media				
	Gaseous media				
	Not permitted: Oxygen				
	Not permitted: Acetylene				
Design	Bourdon tube pressure gauge				
Indicating range	[bar]	0 ... 1	0 ... 4	0 ... 6	0 ... 16
	[psi]	0 ... 15	0 ... 58	0 ... 87	0 ... 232
Conforms to	DIN EN 837-1				
Type of mounting	Can be screwed in				
Connection position	Centre, rear side				
Ambient temperature	[°C]	-20 ... +60			
Accuracy of measurement, class	1.6				
Factor, continuous load	0.75				
Factor, intermittent load	0.66				
Protection class	IP43				
Weight	[g]	60			

Materials	
Housing	Acrylic butadiene styrene
Sight glass	Polystyrene
Threaded plug	Brass

Dimensions Download CAD data → www.festo.com/en/engineering



Ordering data					
Nominal size	Pneumatic connection	Indicating range		Part No.	Type
		[bar]	[psi]		
40	R $\frac{1}{8}$	0 ... 1	0 ... 15	161 126	MAP-40-1- $\frac{1}{8}$ -EN
		0 ... 4	0 ... 58	162 842	MAP-40-4- $\frac{1}{8}$ -EN
		0 ... 6	0 ... 87	161 127	MAP-40-6- $\frac{1}{8}$ -EN
		0 ... 16	0 ... 232	161 128	MAP-40-16- $\frac{1}{8}$ -EN

Individual units
Pressure gauges

4.8

Pressure gauge MA-QS

Technical data

FESTO

Function



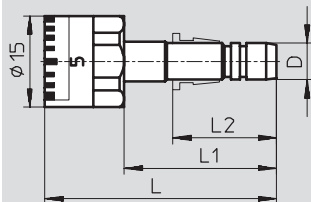
-  - Temperature range
0 ... +60 °C



Technical data			
Nominal size	15		
Pneumatic connection	QS-4	QS-6	QS-8
Operating medium	Filtered compressed air, lubricated or unlubricated		
Design	Bourdon tube pressure gauge without measuring mechanism		
Indicating range [bar]	0 ... 8		
Ambient temperature [°C]	0 ... +60		
Weight [g]	8	9.5	12.5

Materials	
Housing	Nickel plated steel

Dimensions Download CAD data → www.festo.com/en/engineering



Dimensions and ordering data							
Nominal size	Pneumatic connection D	L	L1	L2	Indicating range	Part No.	Type
					[bar]		
15	QS-4	36	23	15	0 ... 8	153 383	MA-15-10-QS-4
	QS-6	38	25	17		153 384	MA-15-10-QS-6
	QS-8	34	21	18.5		153 385	MA-15-10-QS-8


Flanged pressure gauge FMA, DIN EN 837-1

Technical data

FESTO

Function



-  - Temperature range
-20 ... +60 °C



Technical data			
Nominal size	40	50	63
Pneumatic connection	G $\frac{1}{4}$	G $\frac{1}{4}$	G $\frac{1}{4}$
Operating medium	Liquid media		
	Gaseous media		
	Not permitted: Oxygen		
	Not permitted: Acetylene		
Design	Bourdon tube pressure gauge		
Conforms to	DIN EN 837-1		
Type of mounting	Panel mounting		
Connection position	Centre, rear side		
Ambient temperature [°C]	-20 ... +60		
Accuracy of measurement, class	2.5		
Factor, continuous load	0.75		
Factor, intermittent load	0.66		
Protection class	IP43		
Weight [g]	80	100	120

Materials	
Housing	Polystyrene
Sight glass	Styrene acrylonitrile copolymer
Threaded plug	Brass

Indicating range				
Nominal size		40	50	63
Pneumatic connection		G $\frac{1}{4}$	G $\frac{1}{4}$	G $\frac{1}{4}$
[bar]	[psi]			
0 ... 2.5	0 ... 36	-	■	■
0 ... 10	0 ... 145	■	■	■
0 ... 16	0 ... 232	■	■	■

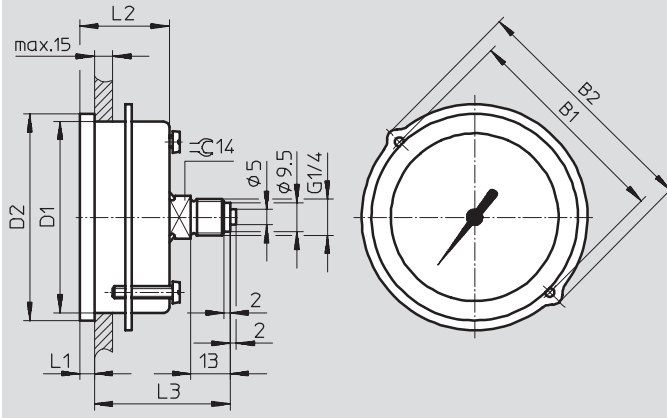
Flanged pressure gauge FMA, DIN EN 837-1

Technical data

FESTO

Dimensions

Download CAD data → www.festo.com/en/engineering



Type	B1	B2	D1 ∅	D2 ∅	L1	L2	L3
FMA-40	48	56	40	45	4.5	26.5	43
FMA-50	57	66	49.5	54	4.5	26.8	43.3
FMA-63	70	79	63	68	4.8	29.5	42.5

Ordering data

Nominal size	Pneumatic connection	Indicating range		Part No.	Type
		[bar]	[psi]		
40	G1/4	0 ... 10	0 ... 145	159 596	FMA-40-10-1/4-EN
		0 ... 16	0 ... 232	159 597	FMA-40-16-1/4-EN
50	G1/4	0 ... 2.5	0 ... 36	159 598	FMA-50-2,5-1/4-EN
		0 ... 10	0 ... 145	159 599	FMA-50-10-1/4-EN
		0 ... 16	0 ... 232	159 600	FMA-50-16-1/4-EN
63	G1/4	0 ... 2.5	0 ... 36	159 601	FMA-63-2,5-1/4-EN
		0 ... 10	0 ... 145	159 602	FMA-63-10-1/4-EN
		0 ... 16	0 ... 232	159 603	FMA-63-16-1/4-EN


Flanged pressure gauge FMA

Technical data

FESTO

Function



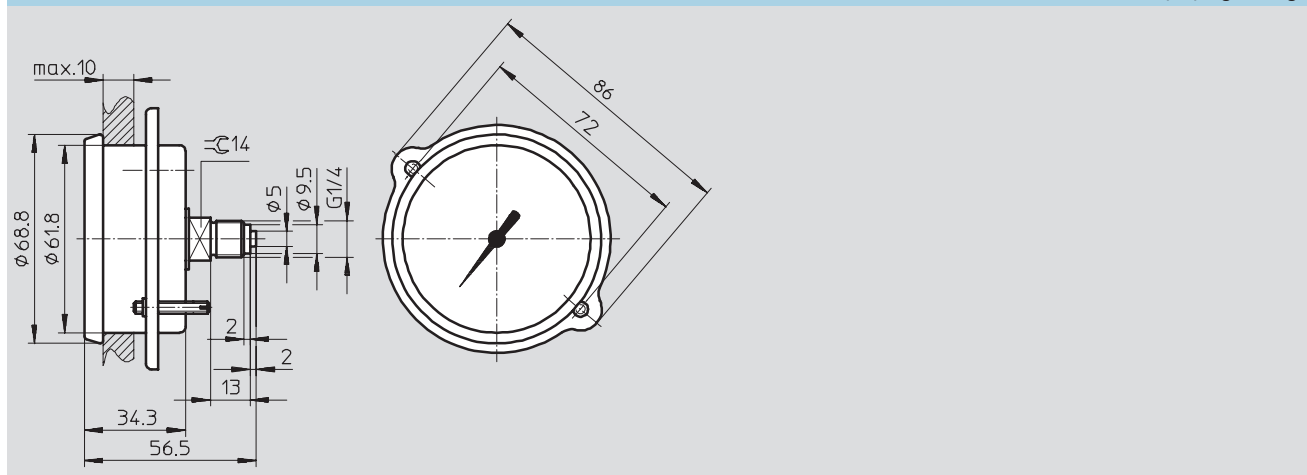
-  - Temperature range
-10 ... +60 °C



Technical data		
Nominal size	63	
Pneumatic connection	G $\frac{1}{4}$	
Operating medium	Gaseous media	
Design	Aneroid pressure gauge	
Indicating range	[bar]	0 ... 0.25
	[psi]	0 ... 3.6
Type of mounting	Panel mounting	
Connection position	Centre, rear side	
Ambient temperature	[°C]	-10 ... +60
Accuracy of measurement, class		2.5
Factor, continuous load		0.75
Factor, intermittent load		0.66
Protection class		IP43
Weight	[g]	240

Materials	
Housing	Steel
Sight glass	Polymethylmethacrylate
Threaded plug	Brass

Dimensions Download CAD data → www.festo.com/en/engineering



Ordering data					
Nominal size	Pneumatic connection	Indicating range		Part No.	Type
		[bar]	[psi]		
63	G $\frac{1}{4}$	0 ... 0.25	0 ... 3.6	225 783	FMA-63-0,25-C

Individual units
Pressure gauges

4.8

Precision pressure gauge FMAP, DIN EN 837-1

Technical data

FESTO

Function



-  - Temperature range
-20 ... +60 °C



Technical data					
Nominal size	63				
Pneumatic connection	G $\frac{1}{4}$				
Operating medium	Liquid media				
	Gaseous media				
	Not permitted: Oxygen				
	Not permitted: Acetylene				
Design	Bourdon tube pressure gauge				
Indicating range	[bar]	0 ... 1	0 ... 4	0 ... 6	0 ... 16
	[psi]	0 ... 15	0 ... 58	0 ... 87	0 ... 232
Conforms to	DIN EN 837-1				
Type of mounting	Panel mounting				
Connection position	Centre, rear side				
Ambient temperature	[°C]	-20 ... +60			
Accuracy of measurement, class	1.0				
Factor, continuous load	0.75				
Factor, intermittent load	0.66				
Protection class	IP43				
Weight	[g]	120			

Materials	
Housing	Polystyrene
Sight glass	Styrene acrylonitrile copolymer
Threaded plug	Brass

Dimensions Download CAD data → www.festo.com/en/engineering

Ordering data					
Nominal size	Pneumatic connection	Indicating range		Part No.	Type
		[bar]	[psi]		
63	G $\frac{1}{4}$	0 ... 1	0 ... 15	161 129	FMAP-63-1- $\frac{1}{4}$ -EN
		0 ... 4	0 ... 58	162 843	FMAP-63-4- $\frac{1}{4}$ -EN
		0 ... 6	0 ... 87	161 130	FMAP-63-6- $\frac{1}{4}$ -EN
		0 ... 16	0 ... 232	161 131	FMAP-63-16- $\frac{1}{4}$ -EN