

Do not use for new designs!
- 2 - Type to be discontinued

Solenoid valves MZBH/MEBH/MVH/MDH

FESTO



- Low power consumption
- With integrated QS push-in connectors
- Prefabricated plug sockets with cable
- 2 valve sizes can be mounted together

Do not use for new designs!
 - 2 - Type to be discontinued

Solenoid valves MZBH/MEBH/MVH/MDH

Key features

FESTO

Flanged valve



MZBH
MOZBH



MEBH
MOEBH



MVH
MOVH



MDH
MODH



Individual sub-base valve



Manifold valve

- 1 - Width
10 ... 36 mm
 - 2 - Flow rate
7.5 ... 113 l/min
 - 3 - Voltage
5 V DC
12 V DC
24 V DC
24 V AC/50 ... 60 Hz
110 V AC/50 ... 60 Hz
230 V AC/50 ... 60 Hz
- Low power consumption
 - 2/2-way valve, normally closed
 - 3/2-way valve, normally closed or normally open
 - Flanged valves
 - Individual sub-base valves
 - Manifold mounting to H-rail
- With integrated QS push-in connectors
 - Prefabricated plug sockets with cable
 - Manual override
 - Manual override tool
 - Inscription labels
 - 2 valve sizes can be mounted together
- Plug sockets
→ 2 / 7.2-10
 - Silencer
→ Volume 3
 - Fittings
→ Volume 3
 - Multi-pin plug distributor
→ 2 / 7.5-0

Do not use for new designs!
- 2 - Type to be discontinued

Solenoid valves MZBH/MEBH/MVH/MDH

FESTO

Key features

Variants

Flanged valve



Individual sub-base valve



Integrated QS push-in connectors
Through-holes for individual
mounting

Manifold valve

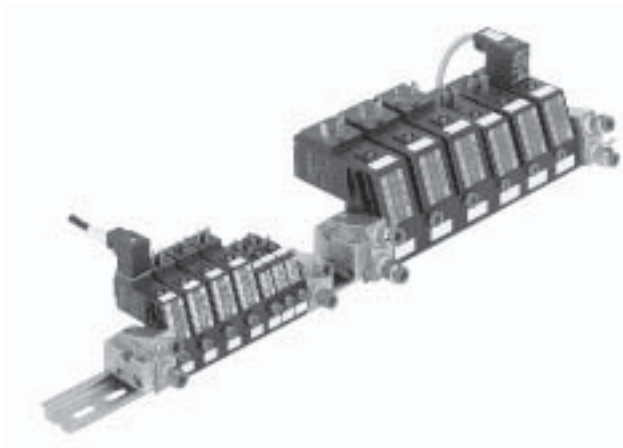


Integrated QS push-in connectors
Mounting on H-rail to EN 60715, or
with tie rod

End plate kit for manifold mounting



Mounting on H-rail to EN 60715



Do not use for new designs!
 Type to be discontinued

FESTO

Solenoid valves MZBH/MEBH/MVH/MDH

Technical data

Solenoid valves MZBH/MOZBH		Flanged valve	Individual sub-base valve	Manifold valve
Operating medium	Filtered compressed air, lubricated or unlubricated Vacuum			
Design	Poppet valve, directly actuated			
Type of mounting	With mounting screw		Through-holes	H-rail
Connection	Valve	Flanged connection	QS-3	QS-3
	End plate kit	–		G $\frac{1}{8}$
Nominal size [mm]	0.5			
Standard nominal flow rate [l/min]	MZBH	7.5		
	MOZBH	7.5		
Operating pressure range [bar]	–0.9 ... +8			
Response time on/off [ms]	MZBH	4/3		
	MOZBH	5/4		
Ambient temperature [°C]	–5 ... +50		–5 ... +50	
Temperature of medium [°C]	–5 ... +50			
Width [mm]	10	18.5	11	
Materials	Housing, sub-base: Polymer; Seals: Nitrile rubber			
Weight [g]	24	32	26	
Electrical data, ZB solenoid				
Operating voltage	5 V DC, 12 V DC, 24 V DC +10%/–15%			
Power consumption [W]	1			
Plug to EN 175301-803	–			
Protection class	IP 65 (EN 60 529)			

Solenoid valves MEBH/MOEBH		Flanged valve	Individual sub-base valve	Manifold valve
Operating medium	Filtered compressed air, lubricated or unlubricated Vacuum			
Design	Poppet valve, directly actuated			
Type of mounting	With mounting screw		Through-holes	H-rail
Connection	Valve	Flanged connection	QS-3	QS-3
	End plate kit	–		G $\frac{1}{8}$
Nominal size [mm]	0.9			
Standard nominal flow rate [l/min]	MEBH	20		
	MOEBH	22		
Operating pressure range [bar]	–0.9 ... +8			
Response time on/off [ms]	MEBH	5/5		
	MOEBH	4/3		
Ambient temperature [°C]	–5 ... +60		–5 ... +50	
Temperature of medium [°C]	–5 ... +50			
Width [mm]	18	26.5	19	
Materials	Housing, sub-base: Polymer; Seals: Nitrile rubber			
Weight [g]	56	71	71	
Electrical data, EB solenoid				
Operating voltage	5 V DC, 12 V DC/24 V AC, 24 V DC +10%/–15%			
Power consumption	D.C. voltage [W]	1.5		
	A.C. voltage [VA]	Hold: 2.4 Pull: 3		
Plug to EN 175301-803	Type C			
Protection class	IP 65 (EN 60 529)			

Do not use for new designs!

- 1 - Type to be discontinued

Solenoid valves MZBH/MEBH/MVH/MDH

Technical data

FESTO

Solenoid valves MVH/MOVH		Flanged valve	Individual sub-base valve	Manifold valve
Operating medium		Filtered compressed air, lubricated or unlubricated Vacuum		
Design		Poppet valve, directly actuated		
Type of mounting		With mounting screw	Through-holes	H-rail
Connection	Valve	Flanged connection	QS-4	QS-4
	End plate kit	-		G1/4
Nominal size [mm]	MVH/MOVH...-1,35	1.35		
	MVH/MOVH...-1,7	1.7		
Standard nominal flow rate [l/min]	MVH...-1,35	50		
	MOVH...-1,35	50		
	MVH...-1,7	70		
	MOVH...-1,7	60		
Operating pressure range [bar]		-0.9 ... +8		
Response time on/off [ms]	MVH...-1,35	9/3		
	MOVH...-1,35	9/5		
	MVH...-1,7	8/5		
	MOVH...-1,7	8/5		
Ambient temperature [°C]		-5 ... +60		-5 ... +50
Temperature of medium [°C]		-5 ... +50		
Width [mm]		26	36	30
Materials		Housing, sub-base: Polymer; Seals: Nitrile rubber		
Weight [g]		230	240	250
Electrical data, V solenoid				
Operating voltage		12 V DC/24 V AC, 24 V DC +10%/-15%		
Power consumption	D.C. voltage [W]	2.5		
	A.C. voltage [VA]	Hold: 8 Pull: 12		
Plug to EN 175301-803		Type B		
Protection class		IP 65 (EN 60 529)		

Directional control valves for standard applications
Directly actuated solenoid valves

2.6

Do not use for new designs!
 - Type to be discontinued

Solenoid valves MZBH/MEBH/MVH/MDH

Technical data

FESTO

Solenoid valves MDH/MODH		Flanged valve	Individual sub-base valve	Manifold valve
Operating medium	Filtered compressed air, lubricated or unlubricated Vacuum			
Design	Poppet valve, directly actuated			
Type of mounting	With mounting screw	Through-holes	H-rail	
Connection	Valve	Flanged connection	QS-6	QS-6
	End plate kit	–		G $\frac{1}{4}$
Nominal size [mm]	2.2			
Standard nominal flow rate [l/min]	MDH	113		
	MODH	96		
Operating pressure range [bar]	–0.9 ... +8			
Response time on/off [ms]	MDH	11/9		
	MODH	10/15		
Ambient temperature [°C]	–5 ... +60			–5 ... +50
Temperature of medium [°C]	–5 ... +50			
Width [mm]	32	42	36	
Materials	Housing, sub-base: Polymer Seals: Nitrile rubber			
Weight [g]	340	370	370	
Electrical data, D solenoid				
Operating voltage	12 V DC, 24 V AC, 24 V DC, 110 V AC, 230 V AC +10%/–15%			
Power consumption	D.C. voltage [W]	6 W		
	A.C. voltage [VA]	Hold: 8 Pull: 12		
Plug to EN 175301-803	Type A			
Protection class	IP 65 (EN 60 529)			

Do not use for new designs!
 - Type to be discontinued

Solenoid valves MZBH/MEBH/MVH/MDH

Technical data

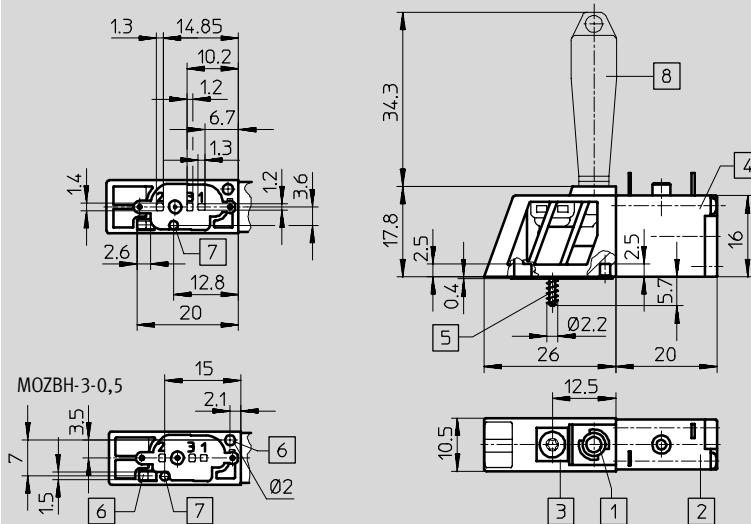
FESTO

Dimensions – 3/2-way valve, nominal size 0.5 mm

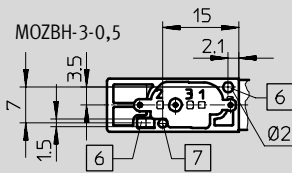
Download CAD data → www.festo.com/en/engineering

Flanged valve MZBH/MOZBH

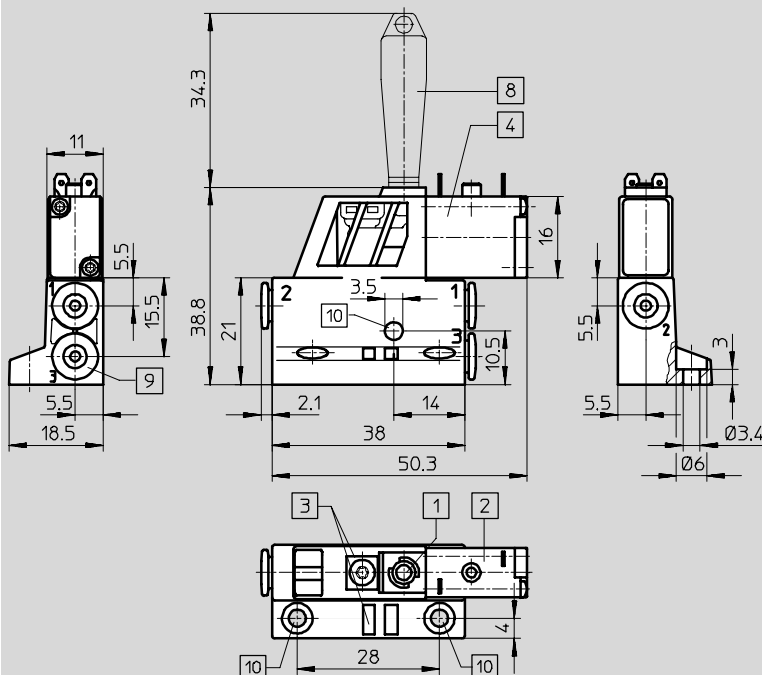
MZBH-3-0,5



MOZBH-3-0,5



Individual sub-base valve MZBH/MOZBH



- | | | | |
|---------------------------------------------------------------------------------------------------------------------------------------------------------------------------------------------|----------------------------------------------------------------------------------------------------------------------------------------------------------------------------|-----------------------------------------------------------------------------------------------------------------------------------------------------------------------------------------------------------------|------------------------------------------------|
| <p>1 Manual override, resetting</p> <p>2 Connection for plug socket</p> <p>3 Location for inscription labels</p> <p>4 Solenoid coil can be repositioned 180° (only with flanged valves)</p> | <p>5 Mounting screw for plastic plate: 1.65 mm core diameter, self-tapping threads (included in scope of delivery) for metal plate: M2 screw</p> <p>6 Centring options</p> | <p>7 1.7 mm diameter for setting encoding pins for differentiation between types MZBH and MOZBH</p> <p>8 Manual override tool, detenting (not included in scope of delivery)</p> <p>9 Tubing connector QS-3</p> | <p>10 Through-holes for M3 mounting screws</p> |
|---------------------------------------------------------------------------------------------------------------------------------------------------------------------------------------------|----------------------------------------------------------------------------------------------------------------------------------------------------------------------------|-----------------------------------------------------------------------------------------------------------------------------------------------------------------------------------------------------------------|------------------------------------------------|

Directional control valves for standard applications
 Directly actuated solenoid valves

2.6

Do not use for new designs!
 - Type to be discontinued

Solenoid valves MZBH/MEBH/MVH/MDH

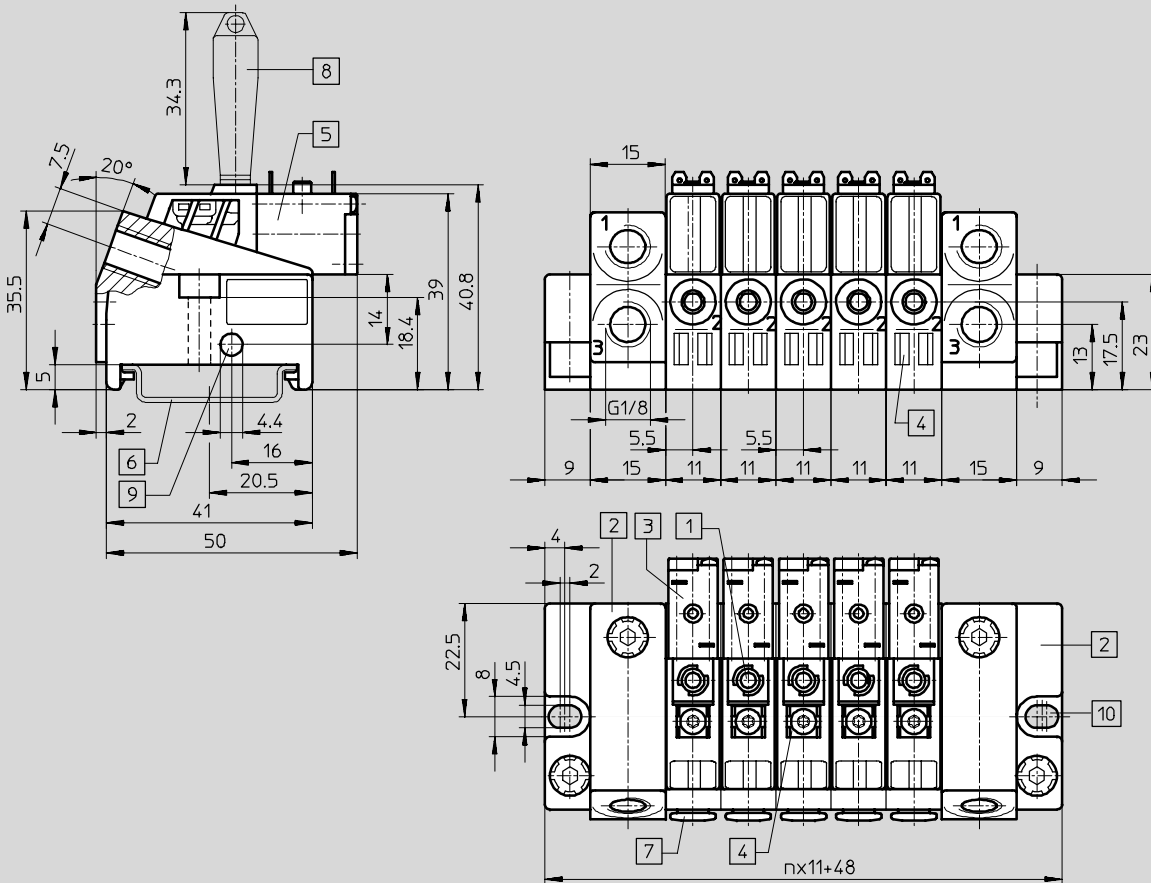
Technical data

FESTO

Dimensions – 3/2-way valve, nominal size 0.5 mm

Download CAD data → www.festo.com/en/engineering

Manifold valve MZBH/MOZBH



- | | |
|------------------------------------------|-----------------------------------------------------------------------|
| 1 Manual override, resetting | 7 Tubing connector QS-3 |
| 2 End plate kit | 8 Manual override tool, detenting (not included in scope of delivery) |
| 3 Connection for plug socket | 9 Through-holes for self-configured M4 tie rod |
| 4 Location for inscription labels | 10 Mounting holes for use with tie rods |
| 5 Solenoid coil can be repositioned 180° | |
| 6 H-rail to EN 60715 | |

n = Number of valves

Valve types MZBH and MEBH can be combined with one another for manifold assembly.

Do not use for new designs!
 - Type to be discontinued

Solenoid valves MZBH/MEBH/MVH/MDH

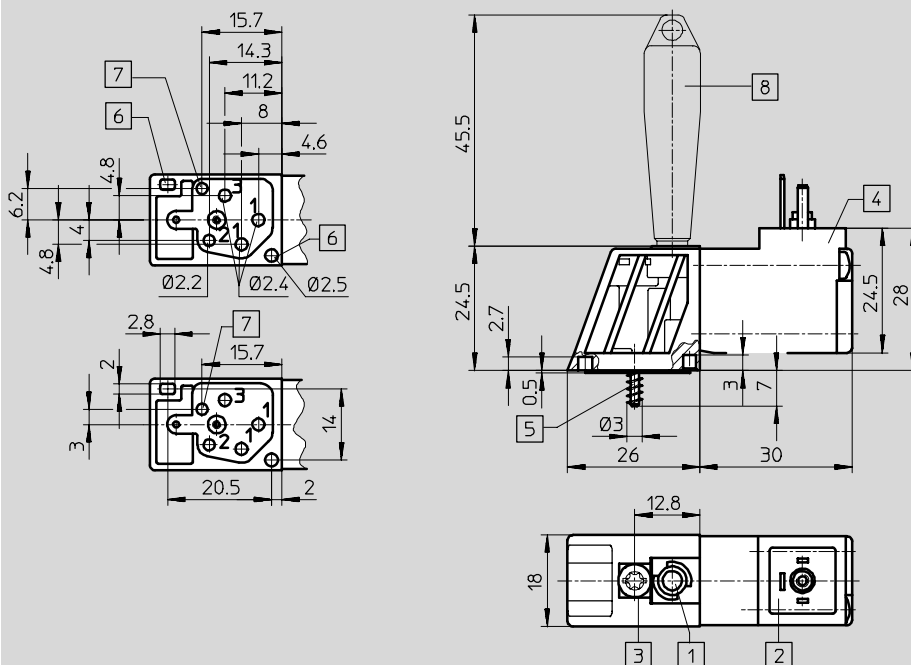
Technical data

FESTO

Dimensions – 2/2-way and 3/2-way valves, nominal size 0.9 mm

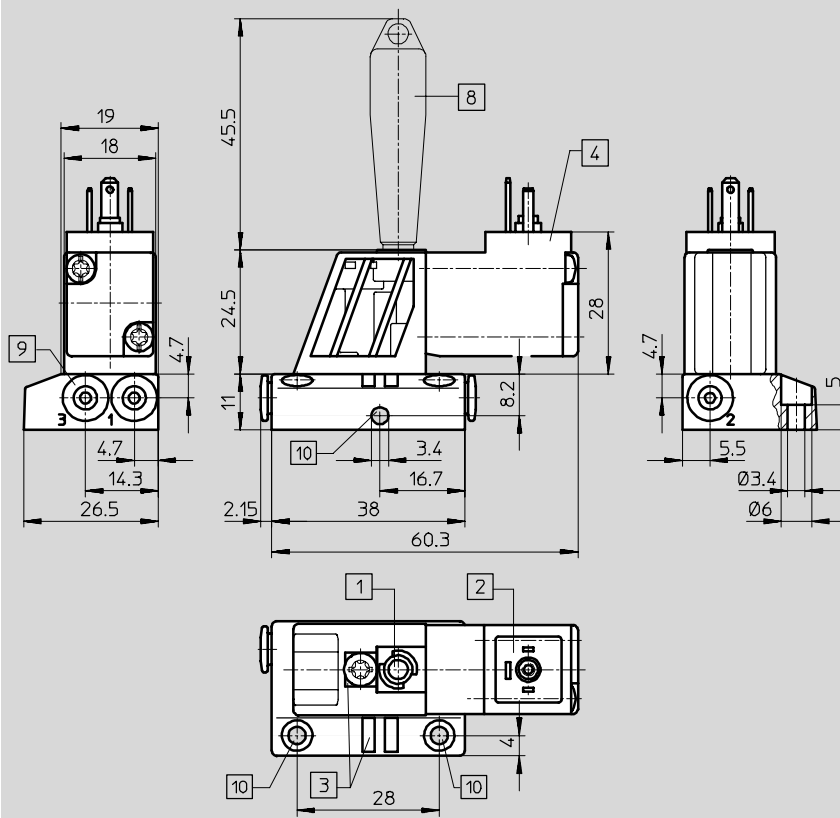
Download CAD data → www.festo.com/en/engineering

Flanged valve



- 1 Manual override, resetting
- 2 Wiring at plug socket to EN 175301-803, type C
- 3 Location for inscription labels
- 4 Solenoid coil can be repositioned 180° (only with flanged valves)
- 5 Mounting screw for plastic plate: 2.3 mm core diameter, self-tapping threads (included in scope of delivery) for metal plate: M3 screw
- 6 Centring options
- 7 2.2 mm diameter for setting encoding pins for differentiation between types MEBH and MOEBH
- 8 Manual override tool, detenting (not included in scope of delivery)

Individual sub-base valve MEBH/MOEBH



- 1 Manual override, resetting
- 2 Wiring at plug socket to EN 175301-803, type C
- 3 Location for inscription labels
- 4 Solenoid coil can be repositioned 180° (only with flanged valves)
- 8 Manual override tool, detenting (not included in scope of delivery)
- 9 Tubing connector QS-3
- 10 Through-holes for M3 mounting screws

Directional control valves for standard applications
Directly actuated solenoid valves

2.6

Do not use for new designs!
 Type to be discontinued

Solenoid valves MZBH/MEBH/MVH/MDH

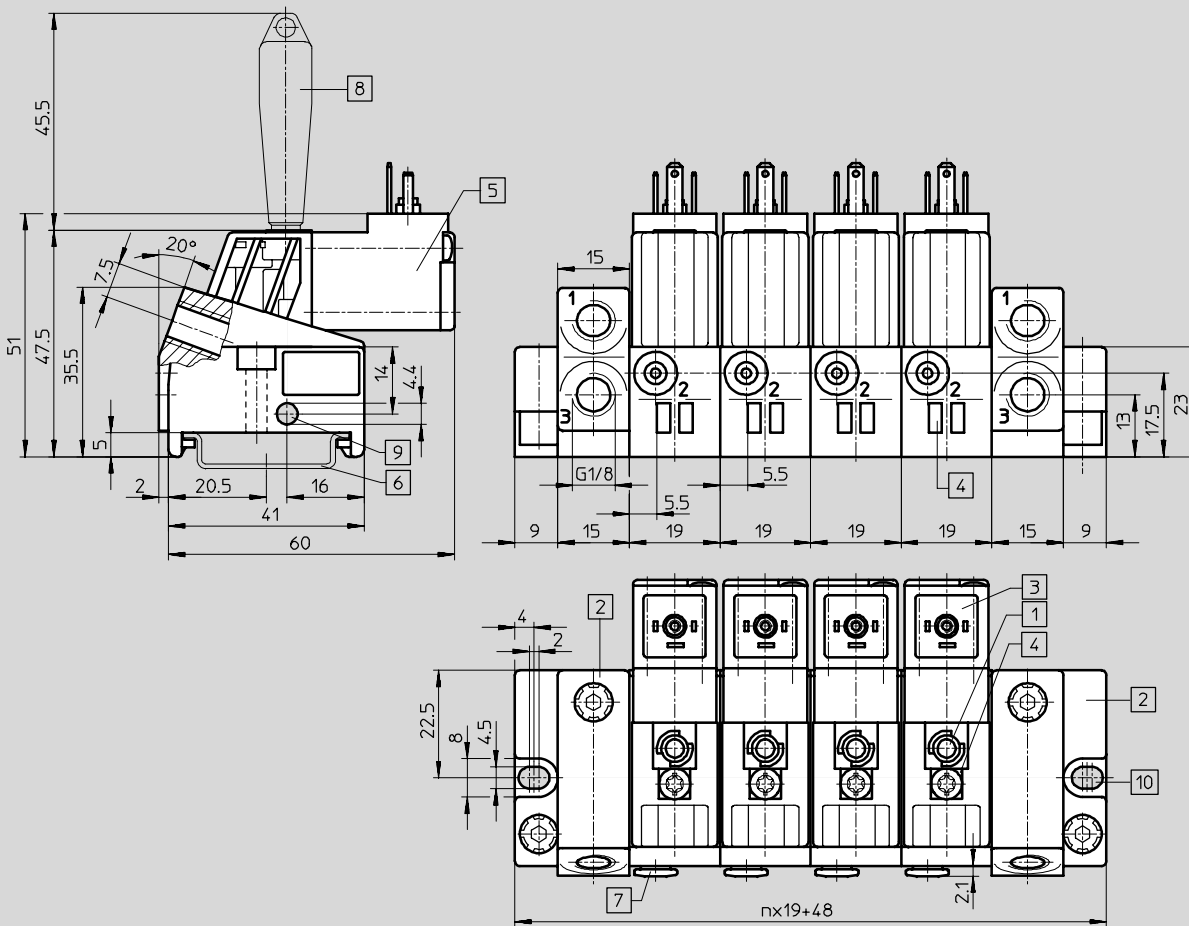
Technical data

FESTO

Dimensions – 2/2-way and 3/2-way valves, nominal size 0.9 mm

Download CAD data → www.festo.com/en/engineering

Manifold valve MEBH/MOEBH



- | | |
|--------------------------------------------------|-----------------------------------------------------------------------|
| 1 Manual override, resetting | 6 H-rail to EN 60715 |
| 2 End plate kit | 7 Tubing connector QS-3 |
| 3 Wiring at plug socket to EN 175301-803, type C | 8 Manual override tool, detenting (not included in scope of delivery) |
| 4 Location for inscription labels | 9 Through-holes for self-configured M4 tie rod |
| 5 Solenoid coil can be repositioned 180° | 10 Mounting holes for use with tie rods |

n = Number of valves

Valve types MZBH and MEBH can be combined with one another for manifold assembly.

Do not use for new designs!
 - Type to be discontinued

Solenoid valves MZBH/MEBH/MVH/MDH

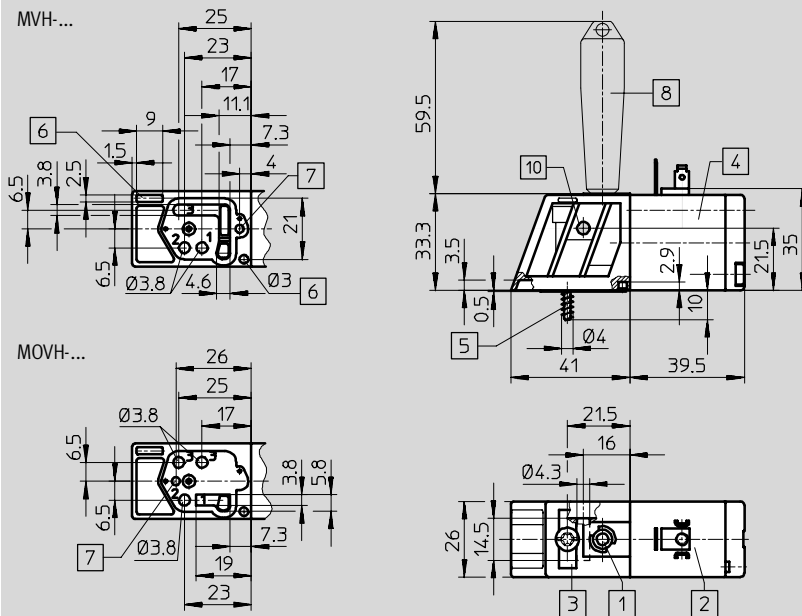
Technical data

FESTO

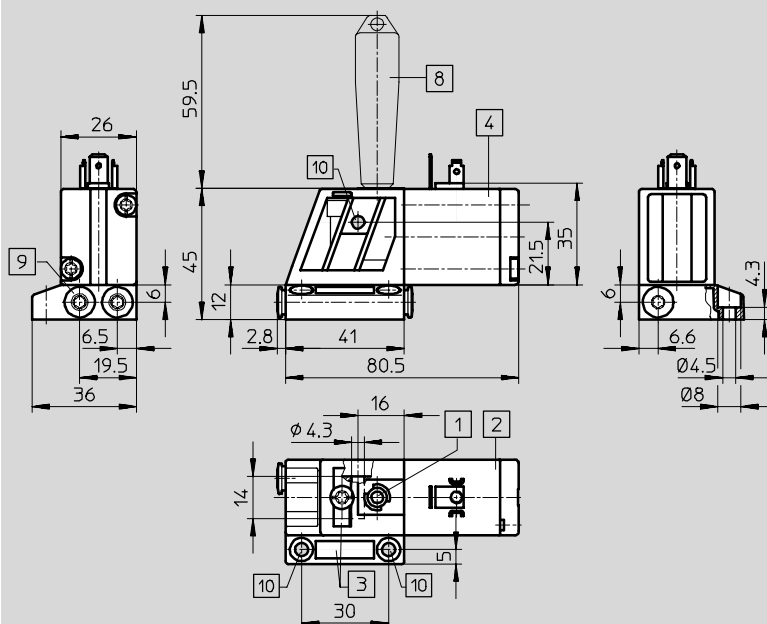
Dimensions – 2/2-way and 3/2-way valves, nominal size 1.35 and 1.7 mm

Download CAD data → www.festo.com/en/engineering

Flanged valve MVH/MOVH



Individual sub-base valve MVH/MOVH



- | | | | |
|--------------------------------------------------|----------------------------------------------------------------------------------------------------------------------|----------------------------------------------------------------------------------------------------------------------------------------|--------------------------------------------------------------------------------------------|
| 1 Manual override, resetting | 4 Solenoid coil can be repositioned 180° (only with flanged valves, the coil cover must not be turned with the coil) | 5 Mounting screw for plastic plate: 3 mm core diameter, self-tapping threads (included in scope of delivery) for metal plate: M4 screw | 6 Centring options |
| 2 Wiring at plug socket to EN 175301-803, type B | | | 7 2.8 mm diameter for setting encoding pins for differentiation between types MVH and MOVH |
| 3 Location for inscription labels | | | 8 Manual override tool, detenting (not included in scope of delivery) |
| | | | 9 Tubing connector QS-4 |
| | | | 10 Through-holes for M4 mounting screws |

Directional control valves for standard applications
 Directly actuated solenoid valves

2.6

Do not use for new designs!
 Type to be discontinued

Solenoid valves MZBH/MEBH/MVH/MDH

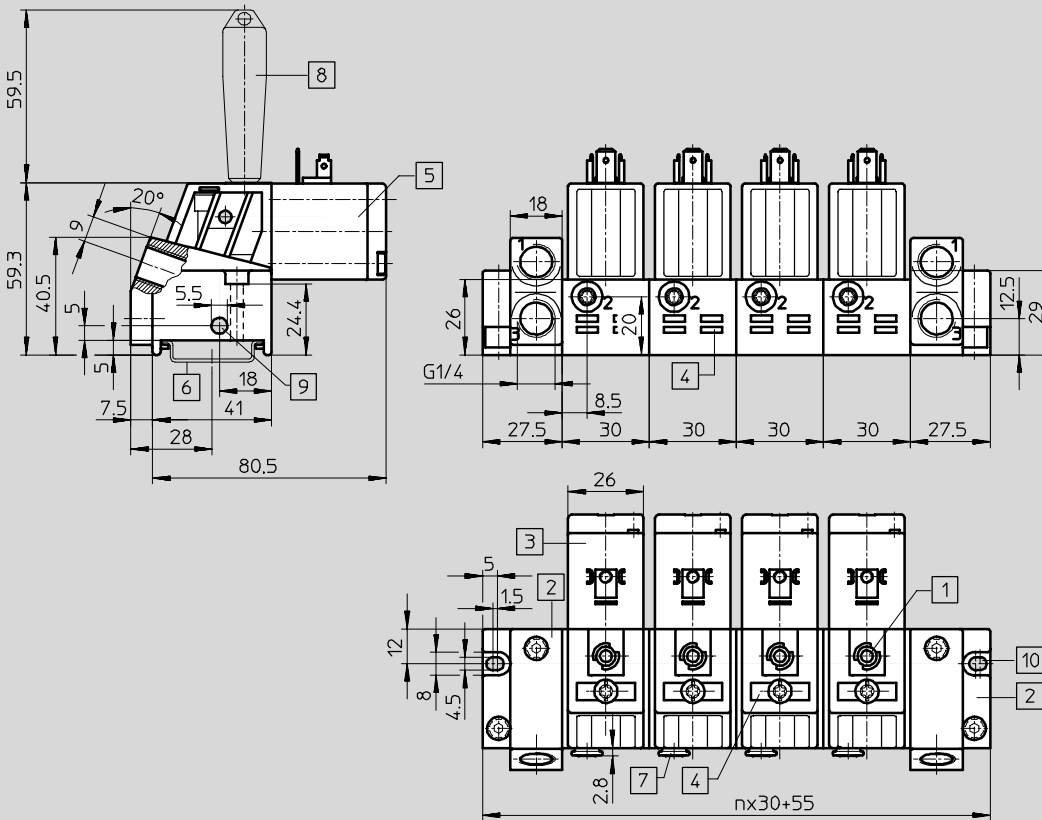
Technical data

FESTO

Dimensions – 2/2-way and 3/2-way valves, nominal size 1.35 and 1.7 mm

Download CAD data → www.festo.com/en/engineering

Manifold valve MVH/MOVH



- 1 Manual override, resetting
- 2 End plate kit
- 3 Wiring at plug socket to EN 175301-803, type B
- 4 Location for inscription labels
- 5 Solenoid coil can be repositioned 180°

- 6 H-rail to EN 60715
- 7 Tubing connector QS-4
- 8 Manual override tool, detenting (not included in scope of delivery)
- 9 Through-holes for self-configured M5 tie rod
- 10 Mounting holes for use with tie rods

n = Number of valves

Valve types MVH and MDH can be combined with one another for manifold assembly.

Directional control valves for standard applications
Directly actuated solenoid valves

2.6

Do not use for new designs!
 - Type to be discontinued

Solenoid valves MZBH/MEBH/MVH/MDH

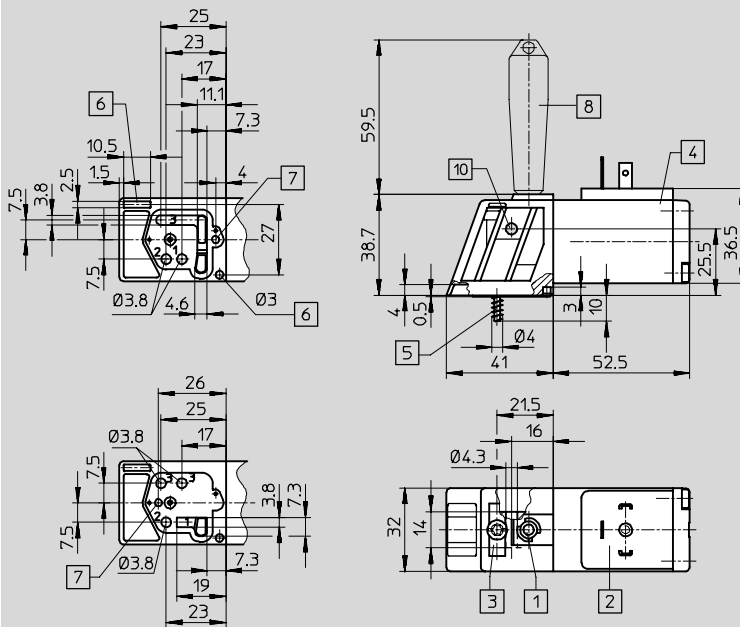
Technical data

FESTO

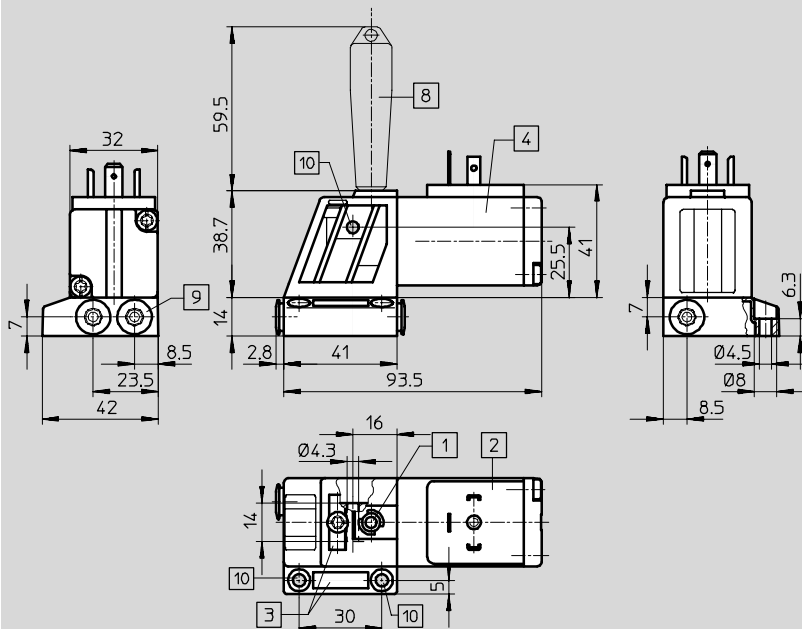
Dimensions – 2/2-way and 3/2-way valves, nominal size 2.2 mm

Download CAD data → www.festo.com/en/engineering

Flanged valve MDH/MODH



Individual sub-base valve MDH/MODH



- | | | |
|---------------------------------------------------------------------|--------------------------------------------------------------------------------------------------------------|--------------------------------------------------------------------------------------------|
| 1 Manual override, resetting | 5 Mounting screw for plastic plate: 3 mm core diameter, self-tapping threads (included in scope of delivery) | 7 2.8 mm diameter for setting encoding pins for differentiation between types MDH and MODH |
| 2 Wiring at plug socket to EN 175301-803, type A | 6 Centring options | 8 Manual override tool, detenting (not included in scope of delivery) |
| 3 Location for inscription labels | | 9 Tubing connector QS-6 |
| 4 Solenoid coil can be repositioned 180° (only with flanged valves) | | 10 Through-holes for M4 mounting screws |

Directional control valves for standard applications
 Directly actuated solenoid valves

2.6

Do not use for new designs!
 - Type to be discontinued

Solenoid valves MZBH/MEBH/MVH/MDH

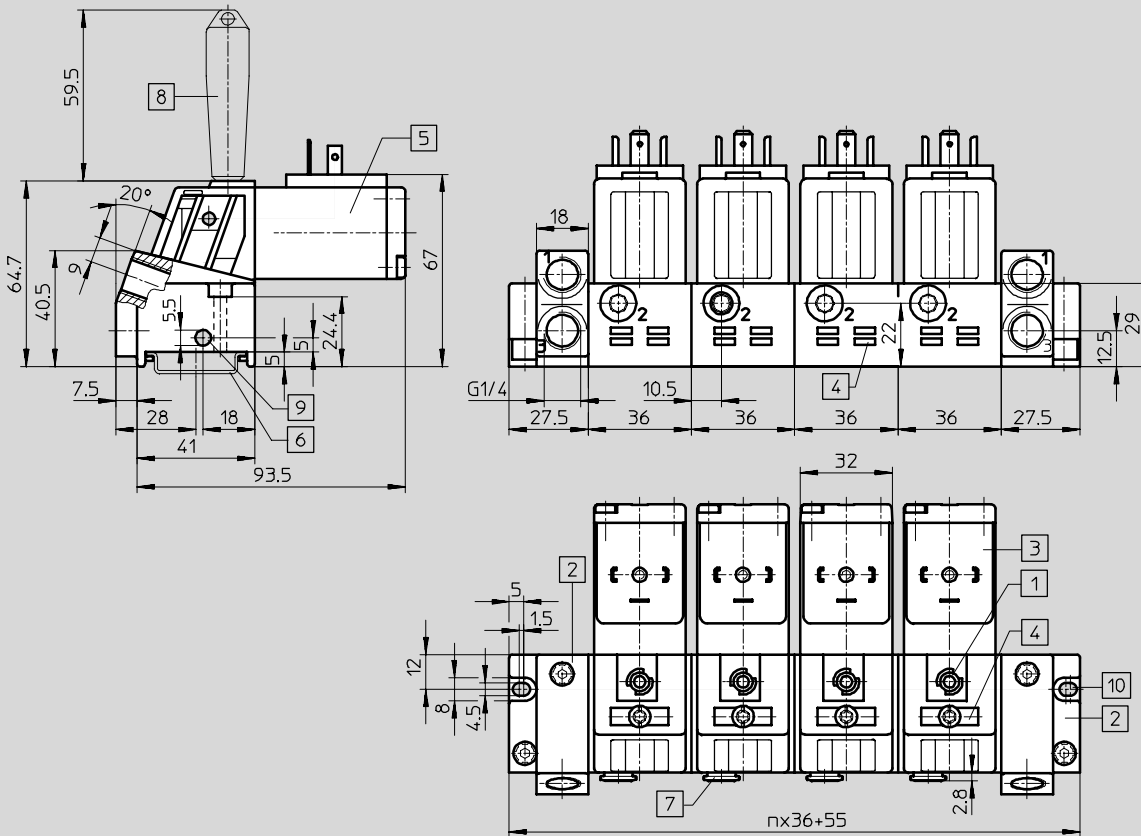
Technical data

FESTO

Dimensions – 2/2-way and 3/2-way valves, nominal size 2.2 mm

Download CAD data → www.festo.com/en/engineering

Manifold valve MDH/MODH




- 1 Manual override, resetting
- 2 End plate kit
- 3 Wiring at plug socket to EN 175301-803, type A
- 4 Location for inscription labels
- 5 Solenoid coil can be repositioned 180°

- 6 H-rail to EN 60715
- 7 Tubing connector QS-6
- 8 Manual override tool, detenting (not included in scope of delivery)
- 9 Through-holes for self-configured M5 tie rod
- 10 Mounting holes for use with tie rods

n = Number of valves

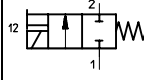
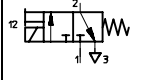
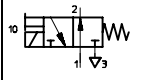
Valve types MVH and MDH can be combined with one another for manifold assembly.

Do not use for new designs!
 - Type to be discontinued

Solenoid valves MZBH/MEBH/MVH/MDH

FESTO

Technical data

Ordering data – Valves			
	Description	ZB solenoid	EB solenoid
		Nominal size: 0.5 mm Part No. Type	Nominal size: 0.9 mm Part No. Type
2/2-way valves			
Normally closed 	Flanged valve	–	170 041 MEBH-2-0,9-5DC 170 042 MEBH-2-0,9- 12DC/24AC 157 526 MEBH-2-0,9
	Individual sub-base valve	–	170 037 MEBH-2-0,9-QS-3-5DC 170 038 MEBH-2-0,9-QS-3-12DC/24AC 157 527 MEBH-2-0,9-QS-3
	Manifold valve	–	170 039 MEBH-2-0,9-AW-QS-3-5DC 170 040 MEBH-2-0,9-AW-QS-3-12DC/24AC 157 528 MEBH-2-0,9-AW-QS-3
3/2-way valves			
Normally closed 	Flanged valve	170 008 MZBH-3-0,5-5DC 170 013 MZBH-3-0,5-12DC 157 520 MZBH-3-0,5	170 035 MEBH-3-0,9-5DC 170 036 MEBH-3-0,9- 12DC/24AC 157 529 MEBH-3-0,9
	Individual sub-base valve	170 009 MZBH-3-0,5-QS-3-5DC 170 010 MZBH-3-0,5-QS-3-12DC 157 522 MZBH-3-0,5-QS-3	170 031 MEBH-3-0,9-QS-3-5DC 170 032 MEBH-3-0,9-QS-3-12DC/24AC 157 531 MEBH-3-0,9-QS-3
	Manifold valve	170 011 MZBH-3-0,5-AW-QS-3-5DC 170 012 MZBH-3-0,5-AW-QS-3-12DC 157 524 MZBH-3-0,5-AW-QS-3	170 033 MEBH-3-0,9-AW-QS-3-5DC 170 034 MEBH-3-0,9-AW-QS-3-12DC/24AC 157 533 MEBH-3-0,9-AW-QS-3
Normally open 	Flanged valve	170 018 MOZBH-3-0,5-5DC 170 019 MOZBH-3-0,5-12DC 157 521 MOZBH-3-0,5	170 029 MOEBH-3-0,9-5DC 170 030 MOEBH-3-0,9-12DC/24AC 157 530 MOEBH-3-0,9
	Individual sub-base valve	170 014 MOZBH-3-0,5-QS-3-5DC 170 015 MOZBH-3-0,5-QS-3-12DC 157 523 MOZBH-3-0,5-QS-3	170 020 MOEBH-3-0,9-QS-3-5DC 170 022 MOEBH-3-0,9-QS-3-12DC/24AC 157 532 MOEBH-3-0,9-QS-3
	Manifold valve	170 016 MOZBH-3-0,5-AW-QS-3-5DC 170 017 MOZBH-3-0,5-AW-QS-3-12DC 157 525 MOZBH-3-0,5-AW-QS-3	170 021 MOEBH-3-0,9-AW-QS-3-5DC 170 028 MOEBH-3-0,9-AW-QS-3-12DC/24AC 157 534 MOEBH-3-0,9-AW-QS-3

Code	Voltage
5DC	5 V DC
12DC	12 V DC
if not otherwise specified	24 V DC
12DC/24AC	12 V DC / 24 V AC

Directional control valves for standard applications
 Directly actuated solenoid valves

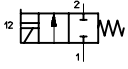
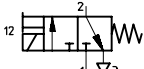
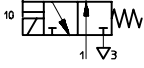
2.6

Do not use for new designs!
 - Type to be discontinued

Solenoid valves MZBH/MEBH/MVH/MDH

Technical data

FESTO

Ordering data – Valves					
	Description	V solenoid Nominal size: 1.35 mm		V solenoid Nominal size: 1.7 mm	
		Part No.	Type	Part No.	Type
2/2-way valves					
Normally closed 	Flanged valve	170 048 MVH-2-1,35-12DC/24AC 157 535 MVH-2-1,35		170 057 MVH-2-1,7-12DC/24AC 157 544 MVH-2-1,7 157 545 MVH-2-1,7-110AC 157 546 MVH-2-1,7-230AC	
	Individual sub-base valve	170 046 MVH-2-1,35-QS-4-12DC/24AC 157 536 MVH-2-1,35-QS-4		170 056 MVH-2-1,7-QS-4-12DC/24AC 157 547 MVH-2-1,7-QS-4 157 548 MVH-2-1,7-QS-4-110AC 157 549 MVH-2-1,7-QS-4-230AC	
	Manifold valve	170 047 MVH-2-1,35-AW-QS-4-12DC/24AC 157 537 MVH-2-1,35-AW-QS-4		170 055 MVH-2-1,7-AW-QS-4-12DC/24AC 157 550 MVH-2-1,7-AW-QS-4 157 551 MVH-2-1,7-AW-QS-4-110AC 157 552 MVH-2-1,7-AW-QS-4-230AC	
3/2-way valves					
Normally closed 	Flanged valve	170 045 MVH-3-1,35-12DC/24AC 157 538 MVH-3-1,35		170 054 MVH-3-1,7-12DC/24AC 157 553 MVH-3-1,7 157 554 MVH-3-1,7-110AC 157 555 MVH-3-1,7-230AC	
	Individual sub-base valve	170 043 MVH-3-1,35-QS-4-12DC/24AC 157 540 MVH-3-1,35-QS-4		170 052 MVH-3-1,7-QS-4-12DC/24AC 157 559 MVH-3-1,7-QS-4 157 560 MVH-3-1,7-QS-4-110AC 157 561 MVH-3-1,7-QS-4-230AC	
	Manifold valve	170 044 MVH-3-1,35-AW-QS-4-12DC/24AC 157 542 MVH-3-1,35-AW-QS-4		170 053 MVH-3-1,7-AW-QS-4-12DC/24AC 157 565 MVH-3-1,7-AW-QS-4 157 566 MVH-3-1,7-AW-QS-4-110AC 157 567 MVH-3-1,7-AW-QS-4-230AC	
Normally open 	Flanged valve	170 051 MOVH-3-1,35-12DC/24AC 157 539 MOVH-3-1,35		170 060 MOVH-3-1,7-12DC/24AC 157 556 MOVH-3-1,7 157 557 MOVH-3-1,7-110AC 157 558 MOVH-3-1,7-230AC	
	Individual sub-base valve	170 049 MOVH-3-1,35-QS-4-12DC/24AC 157 541 MOVH-3-1,35-QS-4		170 058 MOVH-3-1,7-QS-4-12DC/24AC 157 562 MOVH-3-1,7-QS-4 157 563 MOVH-3-1,7-QS-4-110AC 157 564 MOVH-3-1,7-QS-4-230AC	
	Manifold valve	170 050 MOVH-3-1,35-AW-QS-4-12DC/24AC 157 543 MOVH-3-1,35-AW-QS-4		170 059 MOVH-3-1,7-AW-QS-4-12DC/24AC 157 568 MOVH-3-1,7-AW-QS-4 157 569 MOVH-3-1,7-AW-QS-4-110AC 157 570 MOVH-3-1,7-AW-QS-4-230AC	

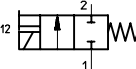
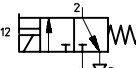
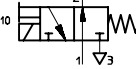
Code	Voltage
5DC	5 V DC
12DC	12 V DC
if not otherwise specified	24 V DC
12DC/24AC	12 V DC / 24 V AC
24AC	24 V AC
110AC	110 V AC
230AC	230 V AC

Do not use for new designs!
 - Type to be discontinued

Solenoid valves MZBH/MEBH/MVH/MDH

Technical data

FESTO

Ordering data – Valves			
	Description	D solenoid Nominal size: 2.2 mm Part No. Type	
2/2-way valves			
Normally closed 	Flanged valve	170 078	MDH-2-2,2-12DC
		170 077	MDH-2-2,2-24AC
		157 571	MDH-2-2,2
		157 572	MDH-2-2,2-110AC
		157 573	MDH-2-2,2-230AC
	Individual sub-base valve	170 074	MDH-2-2,2-QS-6-12DC
		170 073	MDH-2-2,2-QS-6-24AC
		157 574	MDH-2-2,2-QS-6
		157 575	MDH-2-2,2-QS-6-110AC
	157 576	MDH-2-2,2-QS-6-230AC	
Manifold valve	170 076	MDH-2-2,2-AW-QS-6-12DC	
	170 075	MDH-2-2,2-AW-QS-6-24AC	
	157 577	MDH-2-2,2-AW-QS-6	
	157 578	MDH-2-2,2-AW-QS-6-110AC	
	157 579	MDH-2-2,2-AW-QS-6-230AC	
3/2-way valves			
Normally closed 	Flanged valve	170 072	MDH-3-2,2-12DC
		170 071	MDH-3-2,2-24AC
		157 580	MDH-3-2,2
		157 581	MDH-3-2,2-110AC
		157 582	MDH-3-2,2-230AC
	Individual sub-base valve	170 068	MDH-3-2,2-QS-6-12DC
		170 067	MDH-3-2,2-QS-6-24AC
		157 586	MDH-3-2,2-QS-6
		157 587	MDH-3-2,2-QS-6-110AC
	157 588	MDH-3-2,2-QS-6-230AC	
Manifold valve	170 070	MDH-3-2,2-AW-QS-6-12DC	
	170 069	MDH-3-2,2-AW-QS-6-24AC	
	157 592	MDH-3-2,2-AW-QS-6	
	157 593	MDH-3-2,2-AW-QS-6-110AC	
	157 594	MDH-3-2,2-AW-QS-6-230AC	
Normally open 	Flanged valve	170 066	MODH-3-2,2-12DC
		170 065	MODH-3-2,2-24AC
		157 583	MODH-3-2,2
		157 584	MODH-3-2,2-110AC
		157 585	MODH-3-2,2-230AC
	Individual sub-base valve	170 062	MODH-3-2,2-QS-6-12DC
		170 061	MODH-3-2,2-QS-6-24AC
		157 589	MODH-3-2,2-QS-6
		157 590	MODH-3-2,2-QS-6-110AC
		157 591	MODH-3-2,2-QS-6-230AC
	Manifold valve	170 064	MODH-3-2,2-AW-QS-6-12DC
		170 063	MODH-3-2,2-AW-QS-6-24AC
		157 595	MODH-3-2,2-AW-QS-6
		157 596	MODH-3-2,2-AW-QS-6-110AC
		157 597	MODH-3-2,2-AW-QS-6-230AC

Directional control valves for standard applications
 Directly actuated solenoid valves

2.6

Solenoid valves MZBH/MEBH/MVH/MDH

Accessories

FESTO

Ordering data – Accessories				
	ZB solenoid		EB solenoid	
	Part No.	Type	Part No.	Type
End plate kit for manifold assembly	157 598	EP-MZB/MEB-3-1/8	157 598	EP-MZB/MEB-3-1/8
H-rail to EN 60715 (2 m)	35 430	NRH-35-2000	35 430	NRH-35-2000
Manual override tool	157 600	AHB-MZB	157 601	AHB-MEB
Plug socket	185 521	MSSD-ZBZC	151 687	MSSD-EB
Luminescent seal	–		151 717	MEB-LD-12...24
Plug socket with PVC cable Port pattern to EN 175301-803 type C				
2.5 m for 24 V DC	–		151 688	KMEB-1-24-2,5-LED
for 0 ... 240 V	–		151 690	KMEB-1-220/230-2,5
5 m for 24 V DC	–		151 689	KMEB-1-24-5-LED
for 0 ... 240 V	–		151 691	KMEB-1-220/230-5
Plug socket with PUR cable Port pattern to EN 175301-803 type C				
2.5 m for 24 V DC	–		174 844	KMEB-2-24-2,5-LED
for 0 ... 240 V	–		174 846	KMEB-2-230-2,5
5 m for 24 V DC	–		174 845	KMEB-2-24-5-LED
for 0 ... 240 V	–		174 847	KMEB-2-230-5
Plug socket with PVC cable				
2.5 m for 24 V DC	34 997	KMYZ-2-24-2,5-LED	–	
5 m for 24 V DC	34 998	KMYZ-2-24-5-LED	–	
0.5 m for 24 V DC	185 519	KMYZ-4-24-0,5	–	
2.5 m for 24 V DC	185 520	KMYZ-4-24-2,5	–	
Inscription label (scope of delivery includes 64 pieces)	18 576	IBS-6x10	18 576	IBS-6x10

	V solenoid		D solenoid	
	Part No.	Type	Part No.	Type
End plate kit for manifold assembly	157 599	EP-MD/MV-3-1/4	157 599	EP-MD/MV-3-1/4
H-rail to EN 60715 (2 m)	35 430	NRH-35-2000	35 430	NRH-35-2000
Manual override tool	157 651	AHB-MD/MF/MV	157 651	AHB-MD/MF/MV
Plug socket	33 295	MSSD-V	34 583	MSSD-C
Luminescent seal				
for 12 ... 24 V	35 558	MV-LD-12...24	19 145	MC-LD-12...24
for 230 V	151 716	MV-LD-230	19 146	MC-LD-230
Plug socket with PVC cable				
2.5 m for 24 V DC	30 939	KMV-1-24-2,5-LED	30 931	KMC-1-24-2,5-LED
for 0 ... 240 V	30 940	KMV-1-220/230-2,5	30 932	KMC-1-220/230-2,5
5 m for 24 V DC	30 941	KMV-1-24-5-LED	30 933	KMC-1-24-5-LED
for 0 ... 240 V	30 942	KMV-1-220/230-5	30 934	KMC-1-220/230-5
Inscription label (scope of delivery includes 20 pieces)	250 702	IBS-9x20	250 702	IBS-9x20

Directional control valves for standard applications
Directly actuated solenoid valves

2.6