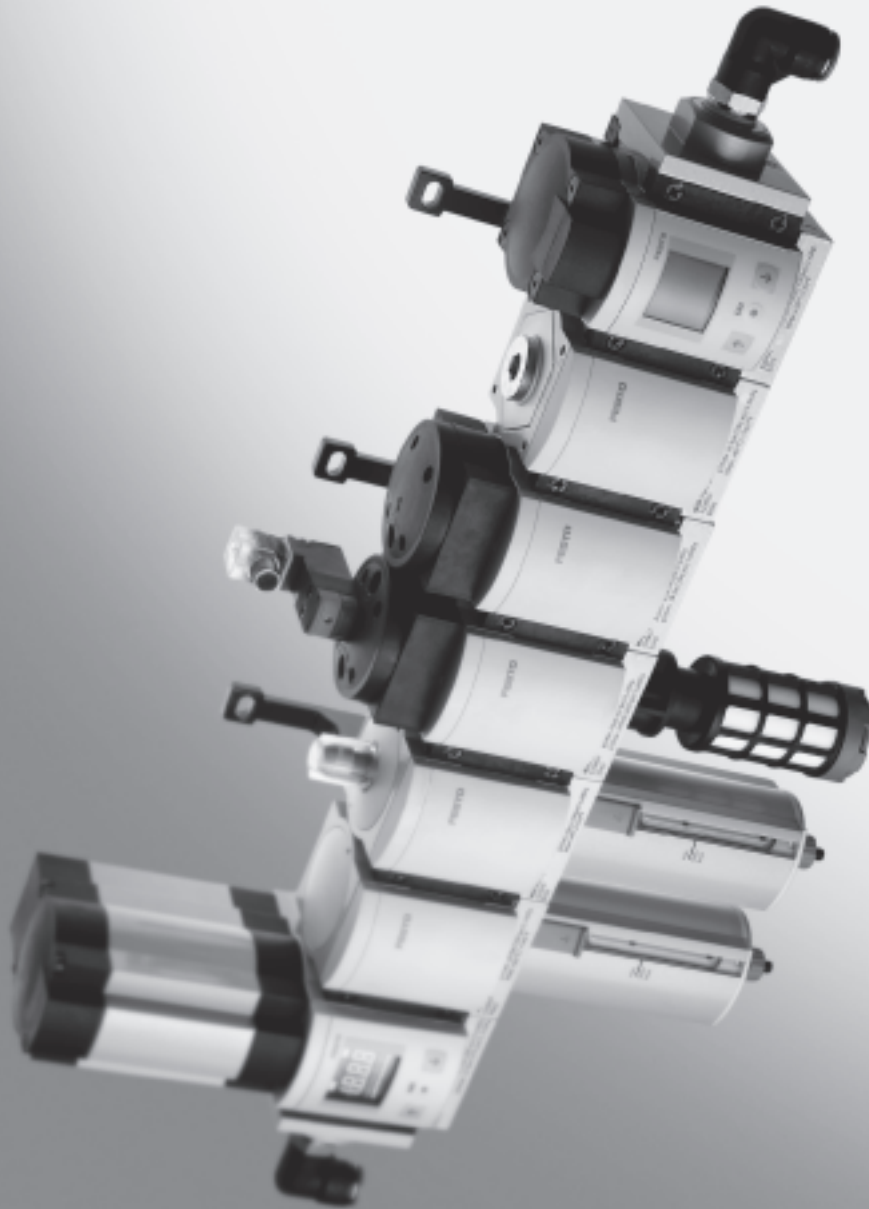


Konfigurierbar

→ [www.festo.com/de/engineering](http://www.festo.com/de/engineering)



- 3 Baugrößen:  
MS4 – Rastermaß 40 mm,  
MS6 – Rastermaß 62 mm,  
MS12 – Rastermaß 124 mm

- Modular
- Montagefreundlich
- Funktionsvielfalt
- Kompakt bei hohen Durchflusswerten
- Modernes Design
- Variantenvielfalt
- Integrierte Sicherheitsfunktionen

Ausgewählte Typen nach ATEX-Richtlinie für explosionsfähige Atmosphären

→ [www.festo.com/de/ex](http://www.festo.com/de/ex)

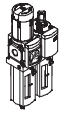
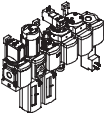








# Wartungsgeräte Baureihe MS

Lieferübersicht



Wartungsgeräte Baureihe MS

1

| Typ   | Bau-<br>größe | Pneumatischer<br>Anschluss im<br>Gehäuse            | Anschlussplatte   | Druckregelbereich<br>[bar] |                    |                 |                 |                  |                  | Filterfeinheit<br>[µm] |               |               |                |
|---|---------------|---|---|----------------------------|--------------------|-----------------|-----------------|------------------|------------------|------------------------|---------------|---------------|----------------|
|   |               |   |   | 0,05<br>...<br>0,7         | 0,05<br>...<br>2,5 | 0,1<br>...<br>4 | 0,3<br>...<br>7 | 0,1<br>...<br>12 | 0,5<br>...<br>16 | 0,01<br>...<br>A       | 1<br>...<br>B | 5<br>...<br>C | 40<br>...<br>E |
| Code  |               |   | AG...   | D2                         | D4                 | D5              | D6              | D7               | D8               | A                      | B             | C             | E              |
| <b>Wartungseinheiten</b>  |               |   |   |                            |                    |                 |                 |                  |                  |                        |               |               |                |
| <b>MSB-FRC</b><br>   | 4             | G $\frac{1}{8}$ , G $\frac{1}{4}$                   | G $\frac{1}{8}$ , G $\frac{1}{4}$ , G $\frac{3}{8}$                   | -                          | -                  | -               | ■               | ■                | -                | -                      | -             | ■             | ■              |
|   | 6             | G $\frac{1}{4}$ , G $\frac{3}{8}$ , G $\frac{1}{2}$ | G $\frac{1}{4}$ , G $\frac{3}{8}$ , G $\frac{1}{2}$ , G $\frac{3}{4}$ | -                          | -                  | -               | ■               | ■                | -                | -                      | -             | ■             | ■              |
|   | 12            | -   |   |                            |                    |                 |                 |                  |                  |                        |               |               |                |
| <b>Wartungsgeräte-Kombinationen (weitere Varianten bestellbar über Konfigurator → <a href="http://www.festo.com/de/engineering">www.festo.com/de/engineering</a>)</b> |               |   |   |                            |                    |                 |                 |                  |                  |                        |               |               |                |
| <b>MSB</b><br>  | 4             | G $\frac{1}{4}$                                     | G $\frac{1}{8}$ , G $\frac{1}{4}$ , G $\frac{3}{8}$                   | -                          | -                  | -               | ■               | ■                | -                | -                      | -             | ■             | ■              |
|   | 6             | G $\frac{1}{2}$                                     | G $\frac{1}{4}$ , G $\frac{3}{8}$ , G $\frac{1}{2}$ , G $\frac{3}{4}$ | -                          | -                  | -               | ■               | ■                | -                | -                      | -             | ■             | ■              |
|   | 12            | -   |   |                            |                    |                 |                 |                  |                  |                        |               |               |                |
| <b>Einzelgeräte</b>   |               |   |   |                            |                    |                 |                 |                  |                  |                        |               |               |                |
| Filterregel-<br>ventile<br><b>MS-LFR</b><br>                                       | 4             | G $\frac{1}{8}$ , G $\frac{1}{4}$                   | G $\frac{1}{8}$ , G $\frac{1}{4}$ , G $\frac{3}{8}$                   | -                          | -                  | ■               | ■               | ■                | -                | -                      | -             | ■             | ■              |
|   | 6             | G $\frac{1}{4}$ , G $\frac{3}{8}$ , G $\frac{1}{2}$ | G $\frac{1}{4}$ , G $\frac{3}{8}$ , G $\frac{1}{2}$ , G $\frac{3}{4}$ | -                          | -                  | ■               | ■               | ■                | ■                | -                      | -             | ■             | ■              |
|   | 12            | -   | G1, G1 $\frac{1}{4}$ , G1 $\frac{1}{2}$ , G2                          | -                          | -                  | -               | ■               | ■                | ■                | -                      | -             | ■             | ■              |
| Filter<br><b>MS-LF</b><br>   | 4             | G $\frac{1}{8}$ , G $\frac{1}{4}$                   | G $\frac{1}{8}$ , G $\frac{1}{4}$ , G $\frac{3}{8}$                   | -                          | -                  | -               | -               | -                | -                | -                      | -             | ■             | ■              |
|   | 6             | G $\frac{1}{4}$ , G $\frac{3}{8}$ , G $\frac{1}{2}$ | G $\frac{1}{4}$ , G $\frac{3}{8}$ , G $\frac{1}{2}$ , G $\frac{3}{4}$ | -                          | -                  | -               | -               | -                | -                | -                      | -             | ■             | ■              |
|   | 12            | -   | G1, G1 $\frac{1}{4}$ , G1 $\frac{1}{2}$ , G2                          | -                          | -                  | -               | -               | -                | -                | -                      | -             | ■             | ■              |
| Fein- und<br>Feinstfilter<br><b>MS-LFM</b><br>                                     | 4             | G $\frac{1}{8}$ , G $\frac{1}{4}$                   | G $\frac{1}{8}$ , G $\frac{1}{4}$ , G $\frac{3}{8}$                   | -                          | -                  | -               | -               | -                | -                | ■                      | ■             | -             | -              |
|   | 6             | G $\frac{1}{4}$ , G $\frac{3}{8}$ , G $\frac{1}{2}$ | G $\frac{1}{4}$ , G $\frac{3}{8}$ , G $\frac{1}{2}$ , G $\frac{3}{4}$ | -                          | -                  | -               | -               | -                | -                | ■                      | ■             | -             | -              |
|   | 12            | -   | G1, G1 $\frac{1}{4}$ , G1 $\frac{1}{2}$ , G2                          | -                          | -                  | -               | -               | -                | -                | ■                      | ■             | -             | -              |
| Aktivkohle-<br>filter<br><b>MS-LFX</b><br>   | 4             | G $\frac{1}{8}$ , G $\frac{1}{4}$                   | G $\frac{1}{8}$ , G $\frac{1}{4}$ , G $\frac{3}{8}$                   | -                          | -                  | -               | -               | -                | -                | -                      | -             | -             | -              |
|   | 6             | G $\frac{1}{4}$ , G $\frac{3}{8}$ , G $\frac{1}{2}$ | G $\frac{1}{4}$ , G $\frac{3}{8}$ , G $\frac{1}{2}$ , G $\frac{3}{4}$ | -                          | -                  | -               | -               | -                | -                | -                      | -             | -             | -              |
|   | 12            | -   | G1, G1 $\frac{1}{4}$ , G1 $\frac{1}{2}$ , G2                          | -                          | -                  | -               | -               | -                | -                | -                      | -             | -             | -              |
| Druckregel-<br>ventile<br><b>MS-LR</b><br>   | 4             | G $\frac{1}{8}$ , G $\frac{1}{4}$                   | G $\frac{1}{8}$ , G $\frac{1}{4}$ , G $\frac{3}{8}$                   | -                          | -                  | ■               | ■               | ■                | -                | -                      | -             | -             | -              |
|   | 6             | G $\frac{1}{4}$ , G $\frac{3}{8}$ , G $\frac{1}{2}$ | G $\frac{1}{4}$ , G $\frac{3}{8}$ , G $\frac{1}{2}$ , G $\frac{3}{4}$ | -                          | -                  | ■               | ■               | ■                | ■                | -                      | -             | -             | -              |
|   | 12            | -   | G1, G1 $\frac{1}{4}$ , G1 $\frac{1}{2}$ , G2                          | -                          | -                  | -               | ■               | ■                | ■                | -                      | -             | -             | -              |
| Druckregel-<br>ventile<br><b>MS-LRB</b><br>  | 4             | G $\frac{1}{4}$                                     | G $\frac{1}{8}$ , G $\frac{1}{4}$ , G $\frac{3}{8}$                   | -                          | -                  | ■               | ■               | ■                | -                | -                      | -             | -             | -              |
|   | 6             | G $\frac{1}{2}$                                     | G $\frac{1}{4}$ , G $\frac{3}{8}$ , G $\frac{1}{2}$ , G $\frac{3}{4}$ | -                          | -                  | ■               | ■               | ■                | ■                | -                      | -             | -             | -              |
|   | 12            | -   |   |                            |                    |                 |                 |                  |                  |                        |               |               |                |
| Präzisions-<br>Druckregel-<br>ventile<br><b>MS-LRP</b><br>                         | 4             | -   |   |                            |                    |                 |                 |                  |                  |                        |               |               |                |
|   | 6             | G $\frac{1}{4}$ , G $\frac{3}{8}$ , G $\frac{1}{2}$ | G $\frac{1}{4}$ , G $\frac{3}{8}$ , G $\frac{1}{2}$ , G $\frac{3}{4}$ | ■                          | ■                  | ■               | -               | ■                | -                | -                      | -             | -             | -              |
|   | 12            | -   |   |                            |                    |                 |                 |                  |                  |                        |               |               |                |
| Präzisions-<br>Druckregel-<br>ventile<br><b>MS-LRPB</b><br>                        | 4             | -   |   |                            |                    |                 |                 |                  |                  |                        |               |               |                |
|   | 6             | G $\frac{1}{2}$                                     | G $\frac{1}{4}$ , G $\frac{3}{8}$ , G $\frac{1}{2}$ , G $\frac{3}{4}$ | ■                          | ■                  | ■               | -               | ■                | -                | -                      | -             | -             | -              |
|   | 12            | -   |   |                            |                    |                 |                 |                  |                  |                        |               |               |                |

# Wartungsgeräte Baureihe MS

Lieferübersicht



| Typ  | Bau-<br>größe | Schalen-<br>schutz   |              | Kondensatablass |                 |                 |                                     | Druckanzeige                      |                           |                           |                           | Betätigungs-<br>sicherung |                         | Optionen        |               | → Seite |  |
|--|---------------|----------------------|--------------|-----------------|-----------------|-----------------|-------------------------------------|-----------------------------------|---------------------------|---------------------------|---------------------------|---------------------------|-------------------------|-----------------|---------------|---------|--|
|  |               | Kunststoffschutzkorb | Metallschale | manuell drehend | halbautomatisch | vollautomatisch | extern, vollautomatisch, elektrisch | Verschlussblende (ohne Manometer) | integriertes MS-Manometer | Adapter EN-Manometer G1/8 | Adapter EN-Manometer G1/4 | Drucksensor mit Anzeige   | Drehknopf, abschließbar | Drehknopf, lang | Schalldämpfer |         | Durchflussrichtung von rechts nach links |
| Code   |               | R                    | U            | M               | H               | V               | E...                                | VS                                | AG                        | A8                        | A4                        | AD...                     | AS                      | LD              | S             | Z       |  |
| <b>Wartungseinheiten</b>                       |               |                      |              |                 |                 |                 |                                     |                                   |                           |                           |                           |                           |                         |                 |               |         |  |
| <b>MSB-FRC</b>                                 | 4             | ■                    | -            | ■               | -               | ■               | -                                   | -                                 | ■                         | -                         | -                         | -                         | ■                       | -               | -             | ■       | 2-2                                      |
|  | 6             | ■                    | ■            | ■               | -               | ■               | -                                   | -                                 | ■                         | -                         | -                         | -                         | ■                       | -               | -             | ■       |  |
|  | 12            | -                    |              |                 |                 |                 |                                     |                                   |                           |                           |                           |                           |                         |                 |               |         |  |
| <b>Wartungsgeräte-Kombinationen</b>            |               |                      |              |                 |                 |                 |                                     |                                   |                           |                           |                           |                           |                         |                 |               |         |  |
| <b>MSB</b>                                     | 4             | ■                    | ■            | ■               | -               | ■               | -                                   | -                                 | ■                         | -                         | -                         | -                         | ■                       | -               | -             | ■       | 2-2                                      |
|  | 6             | ■                    | ■            | ■               | -               | ■               | -                                   | -                                 | ■                         | -                         | -                         | -                         | ■                       | -               | -             | ■       |  |
|  | 12            | -                    |              |                 |                 |                 |                                     |                                   |                           |                           |                           |                           |                         |                 |               |         |  |
| <b>Einzelgeräte</b>                            |               |                      |              |                 |                 |                 |                                     |                                   |                           |                           |                           |                           |                         |                 |               |         |  |
| Filterregelventile<br><b>MS-LFR</b>            | 4             | ■                    | ■            | ■               | ■               | ■               | -                                   | ■                                 | ■                         | ■                         | ■                         | ■                         | ■                       | ■               | -             | ■       | 3-2                                      |
|  | 6             | ■                    | ■            | ■               | ■               | ■               | ■                                   | ■                                 | ■                         | -                         | ■                         | ■                         | ■                       | ■               | -             | ■       |  |
|  | 12            | -                    | ■            | ■               | -               | ■               | ■                                   | ■                                 | ■                         | -                         | ■                         | -                         | ■                       | ■               | -             | ■       | 3-18                                     |
| Filter<br><b>MS-LF</b>                         | 4             | ■                    | ■            | ■               | ■               | ■               | -                                   | -                                 | -                         | -                         | -                         | -                         | -                       | -               | -             | ■       | 4-2, 4-4                                 |
|  | 6             | ■                    | ■            | ■               | ■               | ■               | ■                                   | -                                 | -                         | -                         | -                         | -                         | -                       | -               | -             | ■       |  |
|  | 12            | -                    | ■            | ■               | -               | ■               | ■                                   | -                                 | -                         | -                         | -                         | -                         | -                       | -               | -             | ■       | 4-26, 4-28                               |
| Fein- und Feinstfilter<br><b>MS-LFM</b>        | 4             | ■                    | ■            | ■               | ■               | ■               | -                                   | -                                 | -                         | -                         | -                         | -                         | -                       | -               | -             | ■       | 4-2, 4-12                                |
|  | 6             | ■                    | ■            | ■               | ■               | ■               | ■                                   | -                                 | -                         | -                         | -                         | -                         | -                       | -               | -             | ■       |  |
|  | 12            | -                    | ■            | ■               | -               | ■               | ■                                   | -                                 | -                         | -                         | -                         | -                         | -                       | -               | -             | ■       | 4-26, 4-33                               |
| Aktivkohlefilter<br><b>MS-LFX</b>              | 4             | ■                    | ■            | ■               | -               | -               | -                                   | -                                 | -                         | -                         | -                         | -                         | -                       | -               | -             | ■       | 4-2, 4-20                                |
|  | 6             | ■                    | ■            | ■               | -               | -               | -                                   | -                                 | -                         | -                         | -                         | -                         | -                       | -               | -             | ■       |  |
|  | 12            | -                    | ■            | -               | -               | -               | -                                   | -                                 | -                         | -                         | -                         | -                         | -                       | -               | -             | ■       | 4-26, 4-40                               |
| Druckregelventile<br><b>MS-LR</b>              | 4             | -                    | -            | -               | -               | -               | -                                   | ■                                 | ■                         | ■                         | ■                         | ■                         | ■                       | ■               | -             | ■       | 5-2, 5-7                                 |
|  | 6             | -                    | -            | -               | -               | -               | -                                   | ■                                 | ■                         | -                         | ■                         | ■                         | ■                       | ■               | -             | ■       |  |
|  | 12            | -                    | -            | -               | -               | -               | -                                   | ■                                 | ■                         | -                         | ■                         | -                         | ■                       | ■               | -             | ■       | 5-58                                     |
| Druckregelventile<br><b>MS-LRB</b>             | 4             | -                    | -            | -               | -               | -               | -                                   | ■                                 | ■                         | ■                         | ■                         | ■                         | ■                       | ■               | -             | ■       | 5-2, 5-16                                |
|  | 6             | -                    | -            | -               | -               | -               | -                                   | ■                                 | ■                         | -                         | ■                         | ■                         | ■                       | ■               | -             | ■       |  |
|  | 12            | -                    |              |                 |                 |                 |                                     |                                   |                           |                           |                           |                           |                         |                 |               |         |  |
| Präzisions-Druckregelventile<br><b>MS-LRP</b>  | 4             | -                    |              |                 |                 |                 |                                     |                                   |                           |                           |                           |                           |                         |                 |               |         | 5-24, 5-29                               |
|  | 6             | -                    | -            | -               | -               | -               | -                                   | ■                                 | -                         | -                         | ■                         | ■                         | ■                       | ■               | -             | ■       |  |
|  | 12            | -                    |              |                 |                 |                 |                                     |                                   |                           |                           |                           |                           |                         |                 |               |         |  |
| Präzisions-Druckregelventile<br><b>MS-LRPB</b> | 4             | -                    |              |                 |                 |                 |                                     |                                   |                           |                           |                           |                           |                         |                 |               |         | 5-24, 5-38                               |
|  | 6             | -                    | -            | -               | -               | -               | -                                   | ■                                 | -                         | -                         | ■                         | ■                         | ■                       | ■               | -             | ■       |  |
|  | 12            | -                    |              |                 |                 |                 |                                     |                                   |                           |                           |                           |                           |                         |                 |               |         |  |

# Wartungsgeräte Baureihe MS

Lieferübersicht



Wartungsgeräte Baureihe MS

1

| Typ  | Bau-<br>größe | Pneumatischer<br>Anschluss im<br>Gehäuse | Anschlussplatte                                     | Druckregelbereich<br>[bar]  |                 |                  |                  | Versorgungsspannung                        |   |   |   |   |
|--|---------------|--|---|---|-----------------|------------------|------------------|--|---|---|---|---|
|  |               |  |   | 0,3<br>...<br>4   | 0,3<br>...<br>7 | 0,5<br>...<br>12 | 0,5<br>...<br>16 | 24 V DC, Anschluss-<br>bild nach EN 175301 | 24 V DC, Anschluss-<br>bild M12 nach DESINA | 110 V AC, Anschluss-<br>bild nach EN 175301 | 230 V AC, Anschluss-<br>bild nach EN 175301 |   |
| Code   |               |  | AG...   | D5  | D6              | D7               | D8               | V24  | V24P  | V110  | V230  |   |
| <b>Einzelgeräte</b>                              |               |  |   |   |                 |                  |                  |  |   |   |   |   |
| Elektrik-Druck-<br>regelventile<br><b>MS-LRE</b> |               | 4  | –   |   |                 |                  |                  |  |   |   |   |   |
|  |               | 6  | G $\frac{1}{4}$ , G $\frac{3}{8}$ , G $\frac{1}{2}$ | G $\frac{1}{4}$ , G $\frac{3}{8}$ , G $\frac{1}{2}$ , G $\frac{3}{4}$ | ■               | ■                | ■                | ■  | –   | –   | –   | – |
|  |               | 12                                       | –   |   |                 |                  |                  |  |   |   |   |   |
| Öler<br><b>MS-LOE</b>                            |               | 4  | G $\frac{1}{8}$ , G $\frac{1}{4}$                   | G $\frac{1}{8}$ , G $\frac{1}{4}$ , G $\frac{3}{8}$                   | –               | –                | –                | –  | –   | –   | –   |   |
|  |               | 6  | G $\frac{1}{4}$ , G $\frac{3}{8}$ , G $\frac{1}{2}$ | G $\frac{1}{4}$ , G $\frac{3}{8}$ , G $\frac{1}{2}$ , G $\frac{3}{4}$ | –               | –                | –                | –  | –   | –   | –   |   |
|  |               | 12                                       | –   | G1, G1 $\frac{1}{4}$ , G1 $\frac{1}{2}$ , G2                          | –               | –                | –                | –  | –   | –   | –   |   |
| Einschalt-<br>ventile<br><b>MS-EM(1)</b>         |               | 4  | G $\frac{1}{8}$ , G $\frac{1}{4}$                   | G $\frac{1}{8}$ , G $\frac{1}{4}$ , G $\frac{3}{8}$                   | –               | –                | –                | –  | –   | –   | –   |   |
|  |               | 6  | G $\frac{1}{4}$ , G $\frac{3}{8}$ , G $\frac{1}{2}$ | G $\frac{1}{4}$ , G $\frac{3}{8}$ , G $\frac{1}{2}$ , G $\frac{3}{4}$ | –               | –                | –                | –  | –   | –   | –   |   |
|  |               | 12                                       | –   | G1, G1 $\frac{1}{4}$ , G1 $\frac{1}{2}$ , G2                          | –               | –                | –                | –  | –   | –   | –   |   |
| Einschalt-<br>ventile<br><b>MS-EE</b>            |               | 4  | G $\frac{1}{8}$ , G $\frac{1}{4}$                   | G $\frac{1}{8}$ , G $\frac{1}{4}$ , G $\frac{3}{8}$                   | –               | –                | –                | –  | ■   | –   | ■   | ■ |
|  |               | 6  | G $\frac{1}{4}$ , G $\frac{3}{8}$ , G $\frac{1}{2}$ | G $\frac{1}{4}$ , G $\frac{3}{8}$ , G $\frac{1}{2}$ , G $\frac{3}{4}$ | –               | –                | –                | –  | ■   | –   | ■   | ■ |
|  |               | 12                                       | –   | G1, G1 $\frac{1}{4}$ , G1 $\frac{1}{2}$ , G2                          | –               | –                | –                | –  | ■   | ■   | ■   | ■ |
| Druckaufbau-<br>ventile<br><b>MS-DL</b>          |               | 4  | G $\frac{1}{8}$ , G $\frac{1}{4}$                   | G $\frac{1}{8}$ , G $\frac{1}{4}$ , G $\frac{3}{8}$                   | –               | –                | –                | –  | –   | –   | –   |   |
|  |               | 6  | G $\frac{1}{4}$ , G $\frac{3}{8}$ , G $\frac{1}{2}$ | G $\frac{1}{4}$ , G $\frac{3}{8}$ , G $\frac{1}{2}$ , G $\frac{3}{4}$ | –               | –                | –                | –  | –   | –   | –   |   |
|  |               | 12                                       | –   | G1, G1 $\frac{1}{4}$ , G1 $\frac{1}{2}$ , G2                          | –               | –                | –                | –  | –   | –   | –   |   |
| Druckaufbau-<br>ventile<br><b>MS-DE</b>          |               | 4  | G $\frac{1}{8}$ , G $\frac{1}{4}$                   | G $\frac{1}{8}$ , G $\frac{1}{4}$ , G $\frac{3}{8}$                   | –               | –                | –                | –  | ■   | –   | ■   | ■ |
|  |               | 6  | G $\frac{1}{4}$ , G $\frac{3}{8}$ , G $\frac{1}{2}$ | G $\frac{1}{4}$ , G $\frac{3}{8}$ , G $\frac{1}{2}$ , G $\frac{3}{4}$ | –               | –                | –                | –  | ■   | –   | ■   | ■ |
|  |               | 12                                       | –   | G1, G1 $\frac{1}{4}$ , G1 $\frac{1}{2}$ , G2                          | –               | –                | –                | –  | ■   | ■   | ■   | ■ |
| Membran-<br>Lufttrockner<br><b>MS-LDM1</b>       |               | 4  | G $\frac{1}{8}$ , G $\frac{1}{4}$                   | G $\frac{1}{8}$ , G $\frac{1}{4}$ , G $\frac{3}{8}$                   | –               | –                | –                | –  | –   | –   | –   |   |
|  |               | 6  | G $\frac{1}{4}$ , G $\frac{3}{8}$ , G $\frac{1}{2}$ | G $\frac{1}{4}$ , G $\frac{3}{8}$ , G $\frac{1}{2}$ , G $\frac{3}{4}$ | –               | –                | –                | –  | –   | –   | –   |   |
|  |               | 12                                       | –   |   |                 |                  |                  |  |   |   |   |   |
| Abzweig-<br>module<br><b>MS-FRM</b>              |               | 4  | G $\frac{1}{8}$ , G $\frac{1}{4}$                   | G $\frac{1}{8}$ , G $\frac{1}{4}$ , G $\frac{3}{8}$                   | –               | –                | –                | –  | –   | –   | –   |   |
|  |               | 6  | G $\frac{1}{4}$ , G $\frac{3}{8}$ , G $\frac{1}{2}$ | G $\frac{1}{4}$ , G $\frac{3}{8}$ , G $\frac{1}{2}$ , G $\frac{3}{4}$ | –               | –                | –                | –  | –   | –   | –   |   |
|  |               | 12                                       | –   | G1, G1 $\frac{1}{4}$ , G1 $\frac{1}{2}$ , G2                          | –               | –                | –                | –  | –   | –   | –   |   |
| Durchfluss-<br>sensoren<br><b>MS-SFE</b>         |               | 4  | –   |   |                 |                  |                  |  |   |   |   |   |
|  |               | 6  | G $\frac{1}{2}$                                     | G $\frac{1}{2}$   | –               | –                | –                | –  | –   | –   | –   |   |
|  |               | 12                                       | –   |   |                 |                  |                  |  |   |   |   |   |

# Wartungsgeräte Baureihe MS

Lieferübersicht



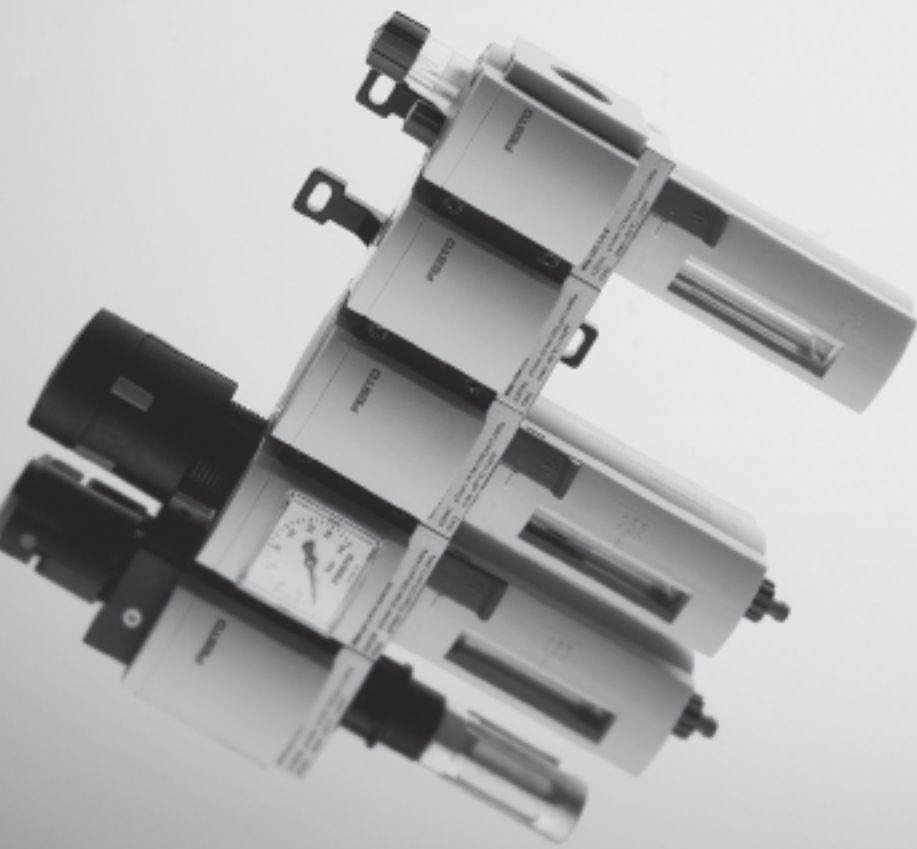
| Typ  | Bau-<br>größe | Schalenschutz        |              | Druckanzeige                         |                              |   |   |                            | Schaltausgang |        | Optionen      |   | → Seite    |      |
|--|---------------|----------------------|--------------|--------------------------------------|------------------------------|---|---|----------------------------|---------------|--------|---------------|---|------------|------|
|  |               | Kunststoffschutzkorb | Metallschale | Verschlussblende<br>(ohne Manometer) | integriertes<br>MS-Manometer | Adapter<br>EN-Manometer G $\frac{1}{8}$ | Adapter<br>EN-Manometer G $\frac{1}{4}$ | Drucksensor mit<br>Anzeige | 2x PNP        | 2x NPN | Schalldämpfer | Durchflussrichtung<br>von rechts nach links |            |      |
|  |               |                      |              |                                      |                              |   |   |                            |               |        |               |   |            | R    |
| <b>Einzelgeräte</b>                              |               |                      |              |                                      |                              |   |   |                            |               |        |               |   |            |      |
| Elektrik-Druck-<br>regelventile<br><b>MS-LRE</b> | 4             | -                    |              |                                      |                              |   |   |                            |               |        |               |   |            | 5-46 |
|  | 6             | -                    | -            | ■                                    | ■                            | -                                       | ■                                       | -                          | -             | -      | -             | -   | ■          |      |
|  | 12            | -                    |              |                                      |                              |   |   |                            |               |        |               |   |            |      |
| Öler<br><b>MS-LOE</b>                            | 4             | ■                    | ■            | -                                    | -                            | -                                       | -                                       | -                          | -             | -      | -             | -   | ■          | 6-2  |
|  | 6             | ■                    | ■            | -                                    | -                            | -                                       | -                                       | -                          | -             | -      | -             | -   | ■          |      |
|  | 12            | -                    | ■            | -                                    | -                            | -                                       | -                                       | -                          | -             | -      | -             | -   | ■          | 6-10 |
| Einschalt-<br>ventile<br><b>MS-EM(1)</b>         | 4             | -                    | -            | ■                                    | ■                            | ■                                       | ■                                       | ■                          | -             | -      | ■             | ■   | 7-2, 7-5   |      |
|  | 6             | -                    | -            | ■                                    | ■                            | -                                       | ■                                       | ■                          | -             | -      | ■             | ■   |            |      |
|  | 12            | -                    | -            | ■                                    | ■                            | -                                       | ■                                       | -                          | -             | -      | ■             | ■   | 7-30, 7-33 |      |
| Einschalt-<br>ventile<br><b>MS-EE</b>            | 4             | -                    | -            | ■                                    | ■                            | ■                                       | ■                                       | ■                          | -             | -      | ■             | ■   | 7-2, 7-10  |      |
|  | 6             | -                    | -            | ■                                    | ■                            | -                                       | ■                                       | ■                          | -             | -      | ■             | ■   |            |      |
|  | 12            | -                    | -            | ■                                    | ■                            | -                                       | ■                                       | -                          | -             | -      | ■             | ■   | 7-30, 7-37 |      |
| Druckaufbau-<br>ventile<br><b>MS-DL</b>          | 4             | -                    | -            | ■                                    | ■                            | ■                                       | ■                                       | ■                          | -             | -      | -             | ■   | 7-2, 7-18  |      |
|  | 6             | -                    | -            | ■                                    | ■                            | -                                       | ■                                       | ■                          | -             | -      | -             | ■   |            |      |
|  | 12            | -                    | -            | ■                                    | ■                            | -                                       | ■                                       | -                          | -             | -      | -             | ■   | 7-30, 7-41 |      |
| Druckaufbau-<br>ventile<br><b>MS-DE</b>          | 4             | -                    | -            | ■                                    | ■                            | ■                                       | ■                                       | ■                          | -             | -      | -             | ■   | 7-2, 7-23  |      |
|  | 6             | -                    | -            | ■                                    | ■                            | -                                       | ■                                       | ■                          | -             | -      | -             | ■   |            |      |
|  | 12            | -                    | -            | ■                                    | ■                            | -                                       | ■                                       | -                          | -             | -      | -             | ■   | 7-30, 7-45 |      |
| Membran-<br>Lufttrockner<br><b>MS-LDM1</b>       | 4             | -                    | ■            | -                                    | -                            | -                                       | -                                       | -                          | -             | -      | -             | ■   | 8-2        |      |
|  | 6             | -                    | ■            | -                                    | -                            | -                                       | -                                       | -                          | -             | -      | -             | ■   |            |      |
|  | 12            | -                    |              |                                      |                              |   |   |                            |               |        |               |   |            |      |
| Abzweig-<br>module<br><b>MS-FRM</b>              | 4             | -                    | -            | ■                                    | ■                            | ■                                       | ■                                       | ■                          | -             | -      | -             | ■   | 9-2        |      |
|  | 6             | -                    | -            | ■                                    | ■                            | -                                       | ■                                       | ■                          | -             | -      | -             | ■   |            |      |
|  | 12            | -                    | -            | ■                                    | -                            | -                                       | -                                       | -                          | -             | -      | -             | -   | 9-14       |      |
| Durchfluss-<br>sensoren<br><b>MS-SFE</b>         | 4             | -                    |              |                                      |                              |   |   |                            |               |        |               |   | 10-2       |      |
|  | 6             | -                    | -            | -                                    | -                            | -                                       | -                                       | -                          | ■             | ■      | -             | ■ <sup>1)</sup>                             |            |      |
|  | 12            | -                    |              |                                      |                              |   |   |                            |               |        |               |   |            |      |

1) Nur über Konfigurator bestellbar → [www.festo.com/de/engineering](http://www.festo.com/de/engineering)



Konfigurierbar

→ [www.festo.com/de/engineering](http://www.festo.com/de/engineering)



- MS4 – Rastermaß 40 mm,  
MS6 – Rastermaß 62 mm

- Modular

- Montagefreundlich

- Funktionsvielfalt

- Kompakt bei hohen  
Durchflusswerten

- Modernes Design

- Variantenvielfalt

- Integrierte Sicherheits-  
funktionen

Ausgewählte Typen nach  
ATEX-Richtlinie für  
explosionsfähige  
Atmosphären

→ [www.festo.com/de/ex](http://www.festo.com/de/ex)

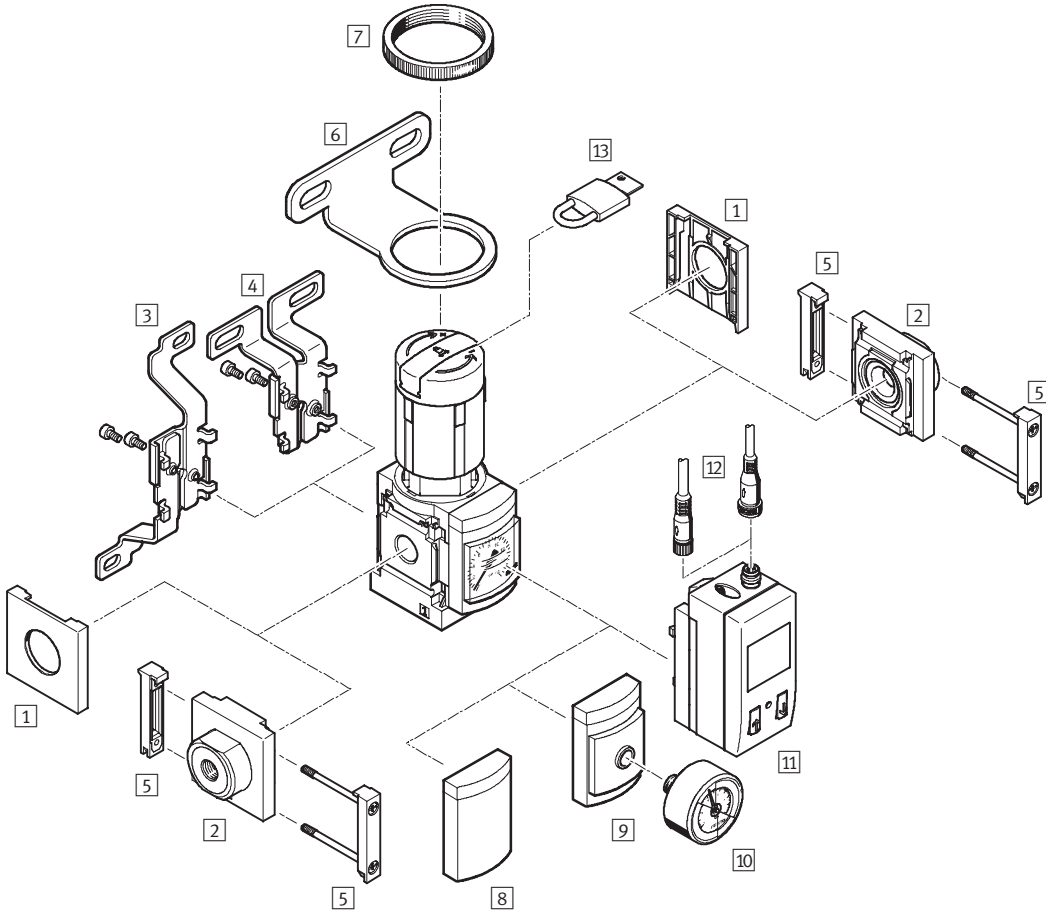


# Druckregelventile MS4/MS6-LR/LRB, Baureihe MS

Peripherieübersicht



## Druckregelventil LR





## Druckregelventile MS4/MS6-LR/LRB, Baureihe MS

Peripherieübersicht

FESTO

| Befestigungselemente und Zubehör – LR |   |                      |                     |                      |                     |            |
|---------------------------------------|---|----------------------|---------------------|----------------------|---------------------|------------|
|                                       |   | Einzelgerät          |                     | Kombination → 2-0    |                     | → Seite    |
|                                       |   | ohne Anschlussplatte | mit Anschlussplatte | ohne Anschlussplatte | mit Anschlussplatte |            |
| 1                                     | Abdeckkappe<br>MS4/6-END                          | ■                    | –                   | ■                    | –                   | 11-3       |
| 2                                     | Anschlussplatte<br>MS4/6-AG...                    | –                    | ■                   | –                    | ■                   | 11-2       |
| 3                                     | Befestigungswinkel<br>MS4/6-WB                    | ■                    | ■                   | –                    | –                   | 11-4       |
| 4                                     | Befestigungswinkel<br>MS4-WBM                     | ■                    | ■                   | –                    | –                   | 11-4       |
| 5                                     | Modulverbinder<br>MS4/6-MV                        | –                    | ■                   | ■                    | ■                   | 11-9       |
| 6                                     | Befestigungswinkel<br>MS4/6-WR                    | ■                    | ■                   | –                    | –                   | 11-5       |
| 7                                     | Rändelmutter (im Lieferumfang enthalten)<br>MS-LR | ■                    | ■                   | –                    | –                   | –          |
| 8                                     | Verschlussblende<br>VS                            | ■                    | ■                   | ■                    | ■                   | 5-14       |
| 9                                     | Adapter für EN-Manometer 1/8/1/4<br>A8/A4         | ■                    | ■                   | ■                    | ■                   | 5-14       |
| 10                                    | Manometer<br>MA                                   | ■                    | ■                   | ■                    | ■                   | 11-10      |
| 11                                    | Drucksensor SDE1-...-MS<br>AD1 ... AD4            | ■                    | ■                   | ■                    | ■                   | 5-14       |
| 12                                    | Steckdosenkabel<br>SIM-M8-3.../SIM-M12-4...       | ■                    | ■                   | ■                    | ■                   | 11-10      |
| 13                                    | Bügelverschluss<br>LRVS-D                         | ■                    | ■                   | ■                    | ■                   | 11-11      |
| –                                     | Befestigungswinkel<br>MS4/6-WP/WPB/WPM            | –                    | ■                   | ■                    | ■                   | 11-7, 11-8 |

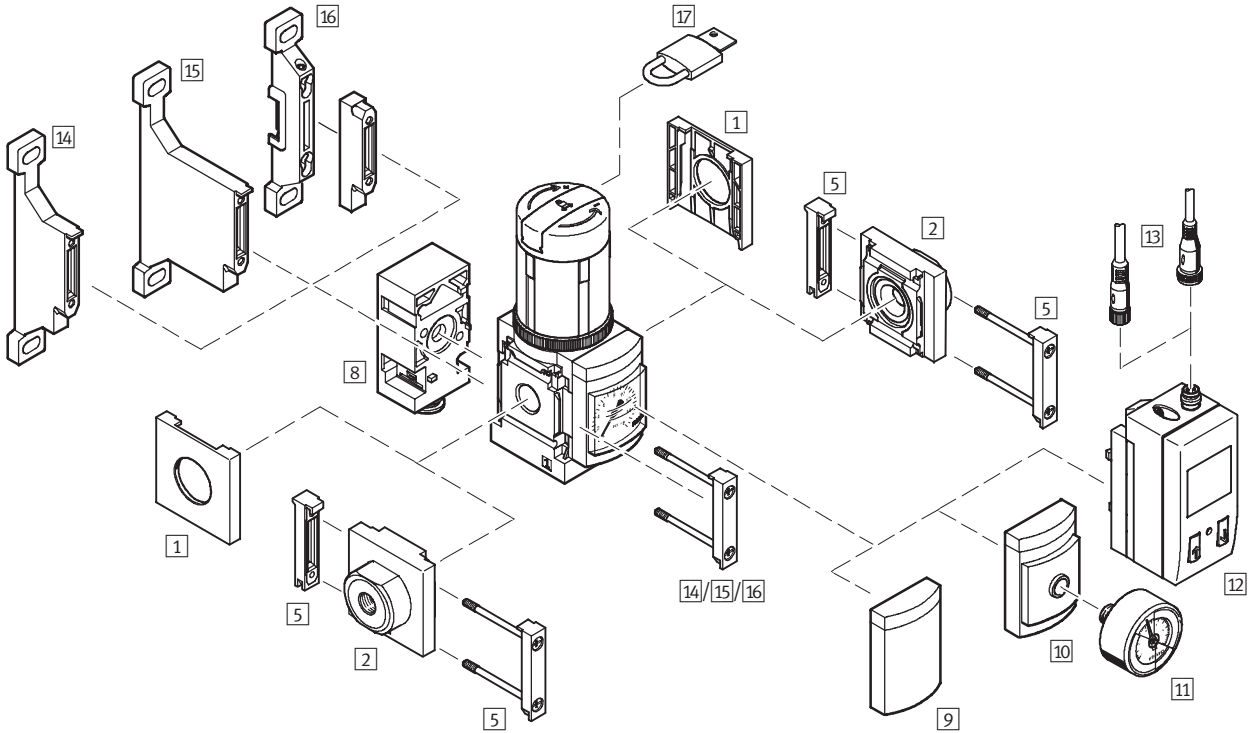
# Druckregelventile MS4/MS6-LR/LRB, Baureihe MS

Peripherieübersicht

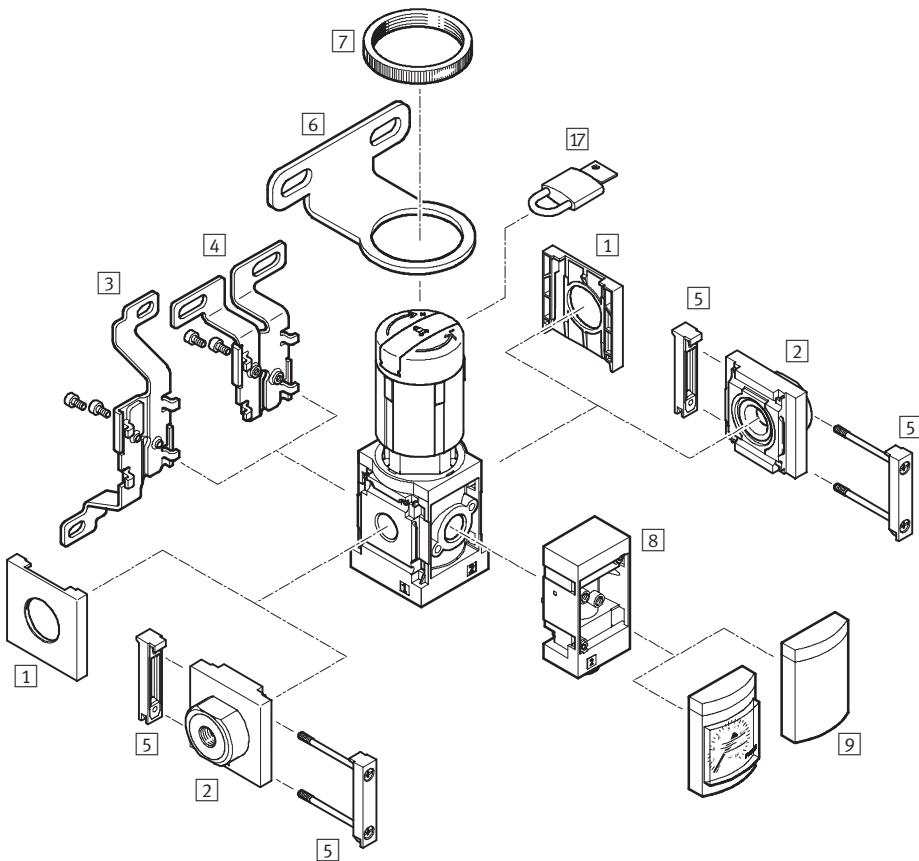


## Druckregelventil LRB

Druckausgang hinten



## Druckausgang vorne Z



## Druckregelventile MS4/MS6-LR/LRB, Baureihe MS

**FESTO**

Peripherieübersicht

| Befestigungselemente und Zubehör – LRB |   |                      |                     |                      |                     |         |
|--|---|----------------------|---------------------|----------------------|---------------------|---------|
|  |   | Einzelgerät          |                     | Kombination → 2-0    |                     | → Seite |
|  |   | ohne Anschlussplatte | mit Anschlussplatte | ohne Anschlussplatte | mit Anschlussplatte |         |
| 1                                      | Abdeckkappe<br>MS4/6-END                          | ■                    | -                   | ■                    | -                   | 11-3    |
| 2                                      | Anschlussplatte<br>MS4/6-AG...                    | -                    | ■                   | -                    | ■                   | 11-2    |
| 3                                      | Befestigungswinkel<br>MS4/6-WB                    | ■                    | ■                   | -                    | -                   | 11-4    |
| 4                                      | Befestigungswinkel<br>MS4-WBM                     | ■                    | ■                   | -                    | -                   | 11-4    |
| 5                                      | Modulverbinder<br>MS4/6-MV                        | -                    | ■                   | ■                    | ■                   | 11-9    |
| 6                                      | Befestigungswinkel<br>MS4/6-WR                    | ■                    | ■                   | -                    | -                   | 11-5    |
| 7                                      | Rändelmutter (im Lieferumfang enthalten)<br>MS-LR | ■                    | ■                   | -                    | -                   | -       |
| 8                                      | Winkelabgangsblock<br>B...                        | ■                    | ■                   | ■                    | ■                   | 5-22    |
| 9                                      | Verschlussblende<br>VS                            | ■                    | ■                   | ■                    | ■                   | 5-22    |
| 10                                     | Adapter für EN-Manometer 1/8/1/4<br>A8/A4         | ■                    | ■                   | ■                    | ■                   | 5-22    |
| 11                                     | Manometer<br>MA                                   | ■                    | ■                   | ■                    | ■                   | 11-10   |
| 12                                     | Drucksensor SDE1-...-MS<br>AD1 ... AD4            | ■                    | ■                   | ■                    | ■                   | 5-22    |
| 13                                     | Steckdosenkabel<br>SIM-M8-3.../SIM-M12-4...       | ■                    | ■                   | ■                    | ■                   | 11-10   |
| 14                                     | Befestigungswinkel<br>MS4/6-WP                    | -                    | ■                   | ■                    | ■                   | 11-7    |
| 15                                     | Befestigungswinkel<br>MS4/6-WPB                   | -                    | ■                   | ■                    | ■                   | 11-7    |
| 16                                     | Befestigungswinkel<br>MS4/6-WPM                   | -                    | ■                   | ■                    | ■                   | 11-8    |
| 17                                     | Bügelverschluss<br>LRVS-D                         | ■                    | ■                   | ■                    | ■                   | 11-11   |



Neu

Varianten AD..., KD, DM...

# Druckregelventile MS4/MS6-LR/LRB, Baureihe MS

FESTO

Typenschlüssel

MS 6 - LRB - 1/2 - D7 - AS - BD

### Baureihe

|    |                          |
|----|--------------------------|
| MS | Wartungseinheit Standard |
|----|--------------------------|

### Baugröße

|   |                 |
|---|-----------------|
| 4 | Rastermaß 40 mm |
| 6 | Rastermaß 62 mm |

### Wartungsfunktion

|     |                                      |
|-----|--------------------------------------|
| LR  | Druckregelventil                     |
| LRB | Druckregelventil für Batteriemontage |

### Anschlussgröße

|     |              |
|-----|--------------|
| 1/8 | Gewinde G1/8 |
| 1/4 | Gewinde G1/4 |
| 3/8 | Gewinde G3/8 |
| 1/2 | Gewinde G1/2 |

### Druckregelbereich

|    |                |
|----|----------------|
| D5 | 0,3 ... 4 bar  |
| D6 | 0,3 ... 7 bar  |
| D7 | 0,5 ... 12 bar |

### Manometeralternativen

|    |  |
|----|--|
|    | integriertes Manometer                       |
| A8 | Adapter für EN-Manometer 1/8, ohne Manometer |
| A4 | Adapter für EN-Manometer 1/4, ohne Manometer |

### Abschließbarkeit

|    |                                   |
|----|-----------------------------------|
| AS | abschließbarer Drehknopf Standard |
|----|-----------------------------------|

### Druckausgang (nur LRB)

|    |                         |
|----|-------------------------|
|    | ohne Winkelabgangsblock |
| BD | Winkelabgangsblock QS-8 |

### Weitere Varianten können Sie über den Produktbaukasten bestellen

|                       |        |
|-----------------------|--------|
| Druckregelventile LR  | → 5-14 |
| Druckregelventile LRB | → 5-22 |

- Anschlussplatten
- Druckregelbereich
- Manometeralternativen
- Alternative Manometerskalierung
- Sekundärentlüftung
- Drehknopfalternative
- Alternative Einbaulage
- Druckausgang (nur LRB)
- Befestigungsart
- Alternative Durchflussrichtung

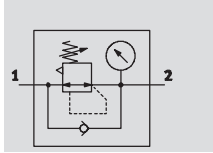
Wartungsgeräte Baureihe MS  
Druckregler

5

## Druckregelventile MS4/MS6-LR, Baureihe MS

Datenblatt

Funktion  
mit Manometer



- - Durchfluss  
1 000 ... 7 500 l/min

- - Temperaturbereich  
-10 ... +60 °C

- - Eingangsdruck  
0,8 ... 20 bar

- - [www.festo.com/de/](http://www.festo.com/de/)  
Ersatzteilservice

Verschleißteilsätze  
→ 5-13

Das Druckregelventil hält den Arbeitsdruck (Sekundär-Seite), unabhängig von Druckschwankungen im Netz (Primär-Seite) und vom Luftverbrauch, weitgehend konstant.



- Gute Regelcharakteristik mit kleiner Hysterese und Primärdruck-Kompensation
- Hohe Durchflussleistung bei geringem Druckabfall
- Mit und ohne Sekundärentlüftung lieferbar
- Sicherung der Einstellwerte durch Arretierung des Drehknopfes
- Abschließbarer Drehknopf
- Vier Druckregelbereiche: 0,3 ... 4 bar, 0,3 ... 7 bar, 0,5 ... 12 bar und 0,5 ... 16 bar
- Zwei Manometeranschlüsse für variablen Einbau
- Rückstromoption zum Entlüften von Ausgang 2 zum Ausgang 1 bereits integriert
- Optionaler Drucksensor mit Anzeige
- Optionales Drehknopfmanometer für Baugröße MS4

| Allgemeine Technische Daten  |  |  |                 |                 |                 |
|------------------------------|--|--|-----------------|-----------------|-----------------|
| Baugröße                     | MS4  |  |                 | MS6             |                 |
| Pneumatischer Anschluss 1, 2 | G $\frac{1}{8}$  | G $\frac{1}{4}$  | G $\frac{1}{4}$ | G $\frac{3}{8}$ | G $\frac{1}{2}$ |
| Konstruktiver Aufbau         | direktgesteuertes Membranregelventil                               |  |                 |                 |                 |
| Reglerfunktion               | mit Vordruckkompensation   |  |                 |                 |                 |
|                              | mit/ohne Sekundärentlüftung  |  |                 |                 |                 |
|                              | Ausgangsdruck konstant   |  |                 |                 |                 |
| Befestigungsart              | mit Zubehör  |  |                 |                 |                 |
|                              | Leitungseinbau   |  |                 |                 |                 |
|                              | Fronttafeleinbau   |  |                 |                 |                 |
| Einbaulage                   | beliebig   |  |                 |                 |                 |
| Betätigungssicherung         | Drehknopf mit Arretierung  |  |                 |                 |                 |
|                              | mit Zubehör schließbar   |  |                 |                 |                 |
| Druckregelbereich            | D5 [bar]   | 0,3 ... 4  |                 |                 |                 |
|                              | D6 [bar]   | 0,3 ... 7  |                 |                 |                 |
|                              | D7 [bar]   | 0,5 ... 12 (0,5 ... 10 mit Variante Drucksensor AD...) |                 |                 |                 |
|                              | D8 [bar]   | -  |                 |                 | 0,5 ... 16      |
| Max. Druckhysterese [bar]    | 0,25   |  |                 |                 |                 |
| Druckanzeige                 | mit Drucksensor für Anzeige Ausgangsdruck und elektrischem Ausgang |  |                 |                 |                 |
|                              | mit Manometer für Anzeige Ausgangsdruck                            |  |                 |                 |                 |

## Druckregelventile MS4/MS6-LR, Baureihe MS

FESTO

Datenblatt

| Normalnenndurchfluss $q_{nN}^{1)}$ [l/min] |    |                     |                     |                     |                     |                     |
|--|----|---------------------|---------------------|---------------------|---------------------|---------------------|
| Baugröße                                   |    | MS4                 |                     | MS6                 |                     |                     |
| Pneumatischer Anschluss                    |    | G $\frac{1}{8}$     | G $\frac{1}{4}$     | G $\frac{1}{4}$     | G $\frac{3}{8}$     | G $\frac{1}{2}$     |
| Druckregelbereich                          | D5 | 1 200 <sup>2)</sup> | 2 100 <sup>2)</sup> | 2 400 <sup>2)</sup> | 5 500 <sup>2)</sup> | 7 500 <sup>2)</sup> |
|  | D6 | 1 150               | 1 800               | 3 000               | 5 800               | 6 500               |
|  | D7 | 1 000               | 1 700               | 2 700               | 4 500               | 5 500               |
|  | D8 | –                   | –                   | 2 200               | 4 000               | 4 500               |

- 1) Gemessen bei  $p_1 = 10$  bar und  $p_2 = 6$  bar,  $\Delta p = 1$  bar  
 2) Gemessen bei  $p_1 = 10$  bar und  $p_2 = 3$  bar,  $\Delta p = 1$  bar

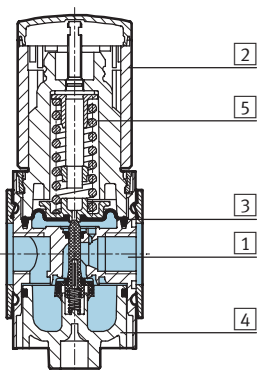
| Betriebs- und Umweltbedingungen |                   |             |             |   |             |
|---------------------------------|-------------------|-------------|-------------|---|-------------|
| Variante                        |                   | Standard    |             | Drucksensor mit Anzeige AD...                                       |             |
| Baugröße                        |                   | MS4         | MS6         | MS4   | MS6         |
| Eingangsdruck                   | [bar]             | 0,8 ... 14  | 0,8 ... 20  | 0,8 ... 14  | 0,8 ... 20  |
| Betriebsmedium                  |                   | Druckluft   |             | gefilterte Druckluft, geölt oder ungeölt, Filterfeinheit 40 $\mu$ m |             |
| Umgebungstemperatur             | [°C]              | -10 ... +60 | -10 ... +60 | 0 ... +50   | 0 ... +50   |
| Mediumtemperatur                | [°C]              | -10 ... +60 | -10 ... +60 | 0 ... +50   | 0 ... +50   |
| Lagertemperatur                 | [°C]              | -10 ... +60 | -10 ... +60 | -10 ... +60   | -10 ... +60 |
| Korrosionsbeständigkeit         | KBK <sup>1)</sup> | 2           |             |   |             |

- 1) Korrosionsbeständigkeitsklasse 2 nach Festo Norm 940 070  
 Bauteile mit mäßiger Korrosionsbeanspruchung. Außenliegende sichtbare Teile mit vorrangig dekorativer Anforderung an die Oberfläche, die im direkten Kontakt zur umgebenden industriellen Atmosphäre bzw. Medien, wie Kühl- und Schmierstoffe stehen.

| Gewichte [g]     |     |     |
|------------------|-----|-----|
| Baugröße         | MS4 | MS6 |
| Druckregelventil | 225 | 730 |

### Werkstoffe

Funktionsschnitt



| Druckregelventil |   |
|------------------|---|
| 1                | Gehäuse<br>Aluminium-Druckguss  |
| 2                | Reglerknopf<br>Polyamid/Polyacetal                                    |
| 3                | Membrane<br>Nitrilkautschuk   |
| 4                | Deckel unten<br>Polyester, glasfaserverstärkt                         |
| 5                | Federn<br>Stahl   |
| –                | Dichtungen<br>Nitrilkautschuk   |
|                  | Werkstoffhinweis<br>Kupfer- und PTFE-frei nur mit Verschlussblende VS |

# Druckregelventile MS4/MS6-LR, Baureihe MS

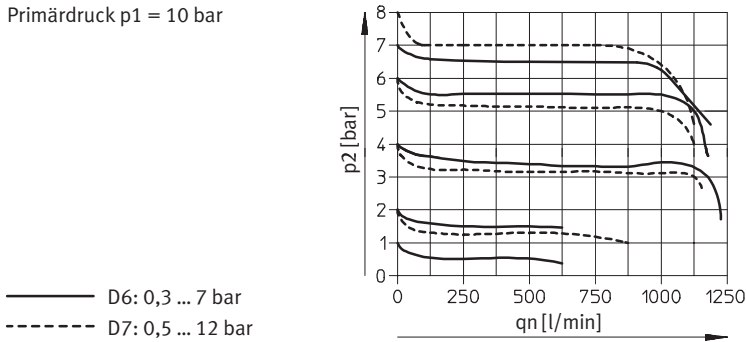
Datenblatt



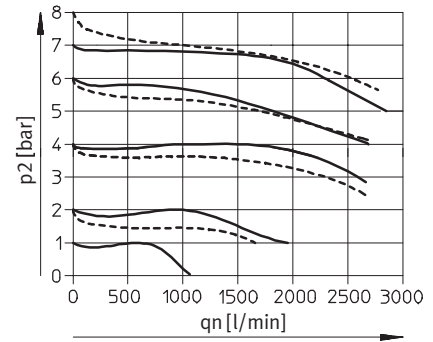
## Normaldurchfluss $q_n$ in Abhängigkeit vom Ausgangsdruck $p_2$

### MS4-LR-1/8

Primärdruck  $p_1 = 10$  bar

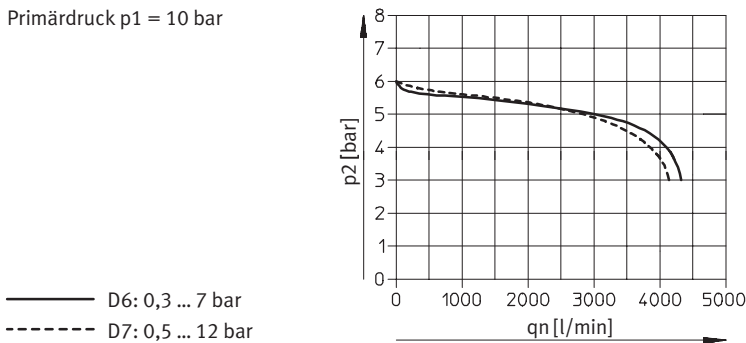


### MS4-LR-1/4

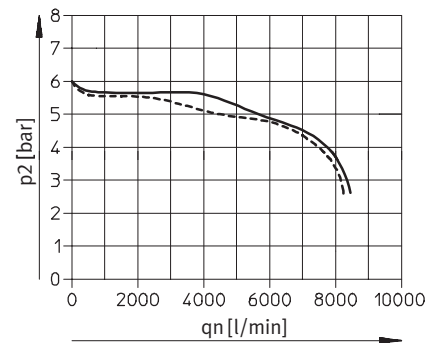


### MS6-LR-1/4

Primärdruck  $p_1 = 10$  bar

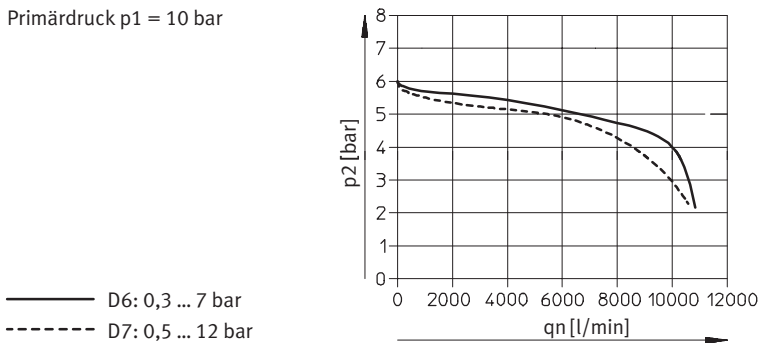


### MS6-LR-3/8



### MS6-LR-1/2

Primärdruck  $p_1 = 10$  bar





Neu

Varianten AD..., KD, DM...

# Druckregelventile MS4/MS6-LR, Baureihe MS

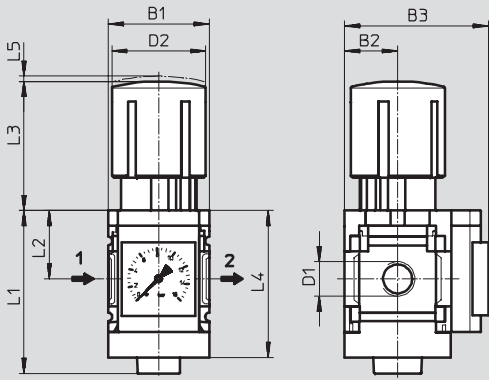
Datenblatt



## Abmessungen – Standard

Download CAD-Daten → [www.festo.com/de/engineering](http://www.festo.com/de/engineering)

mit Manometer, Anzeigeeinheit [bar]



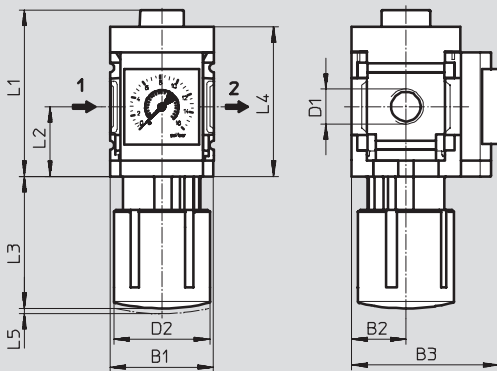
→ Durchflussrichtung

| Typ        | B1 | B2 | B3 | D1   | D2   | L1   | L2 | L3   | L4 | L5 |
|------------|----|----|----|------|------|------|----|------|----|----|
| MS4-LR-1/8 | 40 | 21 | 57 | G1/8 | 37,2 | 64,4 | 27 | 51,1 | 58 | 2  |
| MS4-LR-1/4 |    |    |    | G1/4 |      |      |    |      |    |    |
| MS6-LR-1/4 | 62 | 31 | 77 | G1/4 | 51   | 93   | 39 | 86   | 84 | 5  |
| MS6-LR-3/8 |    |    |    | G3/8 |      |      |    |      |    |    |
| MS6-LR-1/2 |    |    |    | G1/2 |      |      |    |      |    |    |

## Abmessungen – Alternative Einbaulage

Download CAD-Daten → [www.festo.com/de/engineering](http://www.festo.com/de/engineering)

Drehknopf unten KD



→ Durchflussrichtung

| Typ               | B1 | B2 | B3 | D1   | D2   | L1   | L2 | L3   | L4 | L5 |
|-------------------|----|----|----|------|------|------|----|------|----|----|
| MS4-LR-1/8-...-KD | 40 | 21 | 57 | G1/8 | 37,2 | 64,4 | 27 | 51,1 | 58 | 2  |
| MS4-LR-1/4-...-KD |    |    |    | G1/4 |      |      |    |      |    |    |
| MS6-LR-1/4-...-KD | 62 | 31 | 77 | G1/4 | 51   | 93   | 39 | 86   | 84 | 5  |
| MS6-LR-3/8-...-KD |    |    |    | G3/8 |      |      |    |      |    |    |
| MS6-LR-1/2-...-KD |    |    |    | G1/2 |      |      |    |      |    |    |



# Druckregelventile MS4/MS6-LR, Baureihe MS

Datenblatt

FESTO

**Abmessungen – Manometeralternativen** Download CAD-Daten → [www.festo.com/de/engineering](http://www.festo.com/de/engineering)

Verschlussblende VS Adapter A8/A4 für EN-Manometer 1/8/1/4, ohne Manometer

→ Durchflussrichtung

**Drucksensor mit Anzeige AD1 ... AD4** Datenblätter SDE1 → [www.festo.com](http://www.festo.com)

→ Durchflussrichtung

**Variante AD1:**  
SDE1-D10-G2-MS-L-P1-M8 mit  
3-poligem Stecker M8x1,  
1 Schaltausgang PNP

**Variante AD2:**  
SDE1-D10-G2-MS-L-N1-M8 mit  
3-poligem Stecker M8x1,  
1 Schaltausgang NPN

**Variante AD3:**  
SDE1-D10-G2-MS-L-PI-M12 mit  
4-poligem Stecker M12x1,  
1 Schaltausgang PNP und  
4 ... 20 mA analog

**Variante AD4:**  
SDE1-D10-G2-MS-L-NI-M12 mit  
4-poligem Stecker M12x1,  
1 Schaltausgang NPN und  
4 ... 20 mA analog

| Typ                    | B2 | B3   | D1   | D4   | D6    | L5   | L6   |
|------------------------|----|------|------|------|-------|------|------|
| MS4-LR-1/8-...-VS      | 21 | 54   | G1/8 | -    | -     | -    | -    |
| MS4-LR-1/4-...-VS      |    |      | G1/4 |      |       |      |      |
| MS4-LR-1/8-...-A8      | 21 | 58,5 | G1/8 | G1/8 | -     | -    | -    |
| MS4-LR-1/4-...-A8      |    |      | G1/4 |      |       |      |      |
| MS4-LR-1/8-...-A4      | 21 | 58,5 | G1/8 | G1/4 | -     | -    | -    |
| MS4-LR-1/4-...-A4      |    |      | G1/4 |      |       |      |      |
| MS4-LR-1/8-...-AD1/AD2 | 21 | 82,6 | G1/8 | -    | M8x1  | 35,1 | 46,7 |
| MS4-LR-1/4-...-AD1/AD2 |    |      | G1/4 |      |       |      |      |
| MS4-LR-1/8-...-AD3/AD4 | 21 | 82,6 | G1/8 | -    | M12x1 | 35,1 | 55,8 |
| MS4-LR-1/4-...-AD3/AD4 |    |      | G1/4 |      |       |      |      |
| MS6-LR-1/4-...-VS      | 31 | 76   | G1/4 | -    | -     | -    | -    |
| MS6-LR-3/8-...-VS      |    |      | G3/8 |      |       |      |      |
| MS6-LR-1/2-...-VS      |    |      | G1/2 |      |       |      |      |
| MS6-LR-1/4-...-A4      | 31 | 78,5 | G1/4 | G1/4 | -     | -    | -    |
| MS6-LR-3/8-...-A4      |    |      | G3/8 |      |       |      |      |
| MS6-LR-1/2-...-A4      |    |      | G1/2 |      |       |      |      |
| MS6-LR-1/4-...-AD1/AD2 | 31 | 103  | G1/4 | -    | M8x1  | 35,1 | 46,7 |
| MS6-LR-3/8-...-AD1/AD2 |    |      | G3/8 |      |       |      |      |
| MS6-LR-1/2-...-AD1/AD2 |    |      | G1/2 |      |       |      |      |
| MS6-LR-1/4-...-AD3/AD4 | 31 | 103  | G1/4 | -    | M12x1 | 35,1 | 55,8 |
| MS6-LR-3/8-...-AD3/AD4 |    |      | G3/8 |      |       |      |      |
| MS6-LR-1/2-...-AD3/AD4 |    |      | G1/2 |      |       |      |      |

# Druckregelventile MS4/MS6-LR, Baureihe MS

Datenblatt

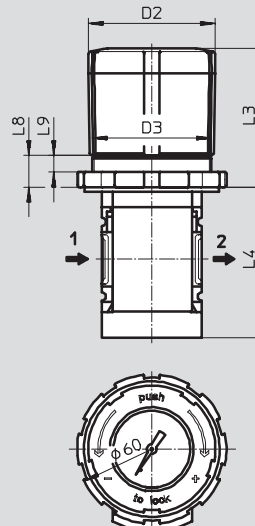
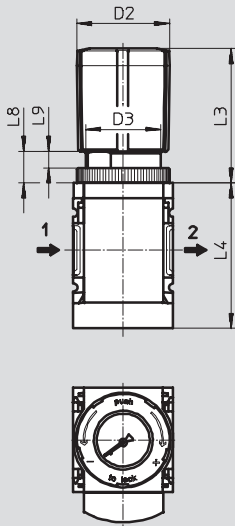


## Abmessungen – Drehknopfmanometer

Download CAD-Daten → [www.festo.com/de/engineering](http://www.festo.com/de/engineering)

klein DM1

groß DM2



Hinweis

Wegen dem überstehenden Drehknopf kann nur ein Abzweigmodul MS4-FRM direkt als benachbartes Wartungsgerät montiert werden.

→ Durchflussrichtung

→ Durchflussrichtung

| Typ            | D2   | D3      | L3   | L4   | L8 | L9  |
|----------------|------|---------|------|------|----|-----|
| MS4-LR-...-DM1 | 37,2 | M30x1,5 | 54   | 58,5 | 13 | 6,7 |
| MS4-LR-...-DM2 | 51,1 | M48x1,5 | 55,7 | 60,5 | 13 | 6,6 |

## Abmessungen – Drehknopf

Download CAD-Daten → [www.festo.com/de/engineering](http://www.festo.com/de/engineering)

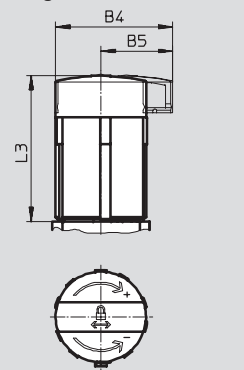
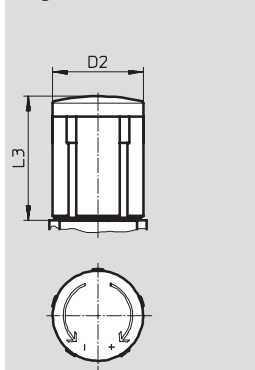
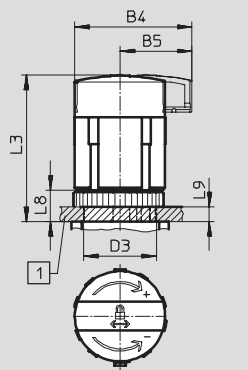
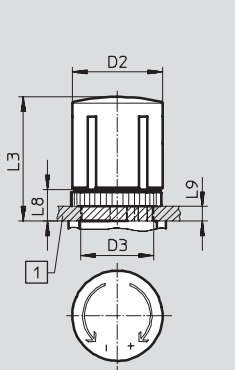
für Schalttafeleinbau

Standard

Standard, abschließbar AS

lang LD

lang, abschließbar LD-AS



1 Max. Schalttafelstärke

| Typ              | B4   | B5   | D2   | D3<br>+1 | L3   | L8 | L9 |
|------------------|------|------|------|----------|------|----|----|
| MS4-LR-...       | -    | -    | 37,2 | 30       | 51,1 | 13 | 6  |
| MS4-LR-...-AS    | 48,3 | 29,7 |      |          | 60,2 |    |    |
| MS4-LR-...-LD    | -    | -    | 37,2 | -        | 51,1 | -  | -  |
| MS4-LR-...-LD-AS | 48,3 | 29,7 |      |          | 60,2 |    |    |
| MS6-LR-...       | -    | -    | 51   | 44       | 86   | 22 | 14 |
| MS6-LR-...-AS    | 67,7 | 42   |      |          | 95,5 |    |    |
| MS6-LR-...-LD    | -    | -    | 51   | -        | 86   | -  | -  |
| MS6-LR-...-LD-AS | 67,7 | 42   |      |          | 95,5 |    |    |

## Druckregelventile MS4/MS6-LR, Baureihe MS

**FESTO**

Datenblatt

| <b>Bestellangaben</b>                       |                 |                |  |
|---|-----------------|----------------|--|
| Manometer, Drehknopf Standard, abschließbar |                 |                |  |
| Baugröße                                    | Anschluss       | Teile-Nr.      | Typ  |
| Druckregelbereich 0,3 ... 4 bar             |                 |                |  |
| MS4   | G $\frac{1}{8}$ | <b>529 421</b> | <b>MS4-LR-<math>\frac{1}{8}</math>-D5-AS</b> |
|   | G $\frac{1}{4}$ | <b>529 415</b> | <b>MS4-LR-<math>\frac{1}{4}</math>-D5-AS</b> |
| MS6   | G $\frac{1}{4}$ | <b>529 995</b> | <b>MS6-LR-<math>\frac{1}{4}</math>-D5-AS</b> |
|   | G $\frac{3}{8}$ | <b>530 001</b> | <b>MS6-LR-<math>\frac{3}{8}</math>-D5-AS</b> |
|   | G $\frac{1}{2}$ | <b>529 989</b> | <b>MS6-LR-<math>\frac{1}{2}</math>-D5-AS</b> |
| Druckregelbereich 0,3 ... 7 bar             |                 |                |  |
| MS4   | G $\frac{1}{8}$ | <b>529 423</b> | <b>MS4-LR-<math>\frac{1}{8}</math>-D6-AS</b> |
|   | G $\frac{1}{4}$ | <b>529 417</b> | <b>MS4-LR-<math>\frac{1}{4}</math>-D6-AS</b> |
| MS6   | G $\frac{1}{4}$ | <b>529 997</b> | <b>MS6-LR-<math>\frac{1}{4}</math>-D6-AS</b> |
|   | G $\frac{3}{8}$ | <b>530 003</b> | <b>MS6-LR-<math>\frac{3}{8}</math>-D6-AS</b> |
|   | G $\frac{1}{2}$ | <b>529 991</b> | <b>MS6-LR-<math>\frac{1}{2}</math>-D6-AS</b> |
| Druckregelbereich 0,5 ... 12 bar            |                 |                |  |
| MS4   | G $\frac{1}{8}$ | <b>529 425</b> | <b>MS4-LR-<math>\frac{1}{8}</math>-D7-AS</b> |
|   | G $\frac{1}{4}$ | <b>529 419</b> | <b>MS4-LR-<math>\frac{1}{4}</math>-D7-AS</b> |
| MS6   | G $\frac{1}{4}$ | <b>529 999</b> | <b>MS6-LR-<math>\frac{1}{4}</math>-D7-AS</b> |
|   | G $\frac{3}{8}$ | <b>530 005</b> | <b>MS6-LR-<math>\frac{3}{8}</math>-D7-AS</b> |
|   | G $\frac{1}{2}$ | <b>529 993</b> | <b>MS6-LR-<math>\frac{1}{2}</math>-D7-AS</b> |

| <b>Bestellangaben – Verschleißteilsätze</b> |                |                   |  |
|---|----------------|-------------------|--|
| Baugröße                                    | Teile-Nr.      | Typ               |  |
| MS4   | <b>673 649</b> | <b>MS4-LR/LRB</b> |  |
| MS6   | <b>673 650</b> | <b>MS6-LR/LRB</b> |  |

## Druckregelventile MS4/MS6-LR, Baureihe MS

Bestellangaben – Produktbaukasten



**M Mindestangaben** →

| Baukasten-Nr.          | Baureihe  | Baugröße | Funktion    | Anschlussgröße                                 | Druckregelbereich    |
|------------------------|-----------|----------|-------------|--|----------------------|
| 527 690<br>527 663     | MS        | 4<br>6   | LR          | 1/8, 1/4, 3/8, 1/2,<br>AGA, AGB, AGC, AGD, AGE | D5<br>D6<br>D7<br>D8 |
| <b>Bestellbeispiel</b> |           |          |             |  |                      |
| <b>527 690</b>         | <b>MS</b> | <b>4</b> | <b>- LR</b> | <b>- AGB</b>                                   | <b>- D6</b>          |

| Bestelltabelle |                   |                      |                      |             |             |              |  |
|----------------|-------------------|----------------------|----------------------|-------------|-------------|--------------|--|
| Rastermaß      | [mm]              | 40                   | 62                   | Bedingungen | Code        | Eintrag Code |  |
| <b>M</b>       | Baukasten-Nr.     | <b>527 690</b>       | <b>527 663</b>       |             |             |              |  |
|                | Baureihe          | Standard             |                      |             | <b>MS</b>   | MS           |  |
|                | Baugröße          | 4                    | 6                    |             | ...         |              |  |
|                | Funktion          | Druckregelventil     |                      |             | <b>-LR</b>  | -LR          |  |
|                | Anschlussgröße    | Gewinde G1/8         | -                    |             | -1/8        |              |  |
|                |                   | Gewinde G1/4         | Gewinde G1/4         |             | -1/4        |              |  |
|                |                   | -                    | Gewinde G3/8         |             | -3/8        |              |  |
|                |                   | -                    | Gewinde G1/2         |             | -1/2        |              |  |
|                |                   | Anschlussplatte G1/8 | -                    |             | <b>-AGA</b> |              |  |
|                |                   | Anschlussplatte G1/4 | Anschlussplatte G1/4 |             | <b>-AGB</b> |              |  |
|                |                   | Anschlussplatte G3/8 | Anschlussplatte G3/8 |             | <b>-AGC</b> |              |  |
|                |                   | -                    | Anschlussplatte G1/2 |             | <b>-AGD</b> |              |  |
|                |                   | -                    | Anschlussplatte G3/4 |             | <b>-AGE</b> |              |  |
|                | Druckregelbereich | 0,3 ... 4 bar        |                      |             | <b>-D5</b>  |              |  |
|                |                   | 0,3 ... 7 bar        |                      |             | <b>-D6</b>  |              |  |
|                |                   | 0,5 ... 12 bar       |                      |             |             | <b>-D7</b>   |  |
|                |                   | -                    | 0,5 ... 16 bar       |             | <b>1</b>    | <b>-D8</b>   |  |

**1** D8 Nicht mit Drehknopfalternative DM2

Übertrag Bestellcode

**MS**  - **LR**  -  -

# Druckregelventile MS4/MS6-LR, Baureihe MS

FESTO

Bestellangaben – Produktbaukasten

→ **0** Optionen

| Manometeralternativen                      | Alternative Manometerskalierung | Sekundär-entlüftung | Drehknopfalternative | Alternative Einbaulage | Abschließbarkeit | Befestigungsart              | Alternative Durchflussrichtung |
|--|---------------------------------|---------------------|----------------------|------------------------|------------------|------------------------------|--------------------------------|
| VS<br>A8<br>A4<br>AD1<br>AD2<br>AD3<br>AD4 | PSI<br>MPA                      | OS                  | LD<br>DM1<br>DM2     | KD                     | AS               | WR<br>WP<br>WPM<br>WB<br>WBM | Z                              |
| - <b>AD3</b>                               | -                               | - <b>OS</b>         | - <b>LD</b>          | -                      | - <b>AS</b>      | - <b>WB</b>                  | - <b>Z</b>                     |

| Bestelltabelle                  |   |    |    |             |      |              |  |
|---------------------------------|---|----|----|-------------|------|--------------|--|
| Rastermaß                       | [mm]  | 40 | 62 | Bedingungen | Code | Eintrag Code |  |
| 0 Manometeralternativen         | Verschlussblende  |    |    |             | -VS  |              |  |
|                                 | Adapter für EN-Manometer 1/8, ohne Manometer  |    | -  |             | -A8  |              |  |
|                                 | Adapter für EN-Manometer 1/4, ohne Manometer  |    |    |             | -A4  |              |  |
|                                 | Drucksensor mit Anzeige, Stecker M8, 1 Schaltausgang PNP, 3-polig                             |    |    |             | 2    | -AD1         |  |
|                                 | Drucksensor mit Anzeige, Stecker M8, 1 Schaltausgang NPN, 3-polig                             |    |    |             | 2    | -AD2         |  |
|                                 | Drucksensor mit Anzeige, Stecker M12, 1 Schaltausgang PNP, 4-polig, Analogausgang 4 ... 20 mA |    |    |             | 2    | -AD3         |  |
|                                 | Drucksensor mit Anzeige, Stecker M12, 1 Schaltausgang NPN, 4-polig, Analogausgang 4 ... 20 mA |    |    |             | 2    | -AD4         |  |
| Alternative Manometerskalierung | psi   |    |    |             | 3    | -PSI         |  |
|                                 | MPa   |    |    |             | 3    | -MPA         |  |
| Sekundärentlüftung              | ohne Sekundärentlüftung   |    |    |             | 4    | -OS          |  |
| Drehknopfalternative            | langer Drehknopf  |    |    |             |      | -LD          |  |
|                                 | Drehknopfmanometer, klein   |    | -  |             | 5    | -DM1         |  |
|                                 | Drehknopfmanometer, groß  |    | -  |             | 6    | -DM2         |  |
| Alternative Einbaulage          | Drehknopf unten   |    |    |             | 7    | -KD          |  |
| Abschließbarkeit                | abschließbarer Drehknopf  |    |    |             | 8    | -AS          |  |
| Befestigungsart                 | Befestigungswinkel mit Rändelmutter für Reglerkopf  |    |    |             | 9    | -WR          |  |
|                                 | Befestigungswinkel  |    |    |             | 10   | -WP          |  |
|                                 | Befestigungswinkel  |    |    |             | 10   | -WPM         |  |
|                                 | Befestigungswinkel  |    |    |             | 11   | -WB          |  |
|                                 | Befestigungswinkel  |    | -  |             |      | -WBM         |  |
| Alternative Durchflussrichtung  | Durchflussrichtung von rechts nach links  |    |    |             |      | -Z           |  |

- |  |   |
|--|---|
| 2 <b>AD1 ... AD4</b> Messbereich max. 10 bar.<br>Nicht mit Druckregelbereich D8.<br>Nicht mit Drehknopfalternative DM2       | 7 <b>KD</b> Nicht mit Alternative Manometerskalierung PSI, MPA.<br>Nicht mit Befestigungsart WP.<br>Nicht mit Drehknopfalternative DM1, DM2 |
| 3 <b>PSI, MPA</b> Nicht mit Manometeralternativen VS, A8, A4, AD1, AD2, AD3, AD4.<br>Nicht mit Drehknopfalternative DM1, DM2 | 8 <b>AS</b> Nicht mit Drehknopfalternative DM1, DM2   |
| 4 <b>OS</b> Nicht mit Drehknopfalternative DM1, DM2  | 9 <b>WR</b> Nicht mit Langem Drehknopf LD.<br>Nicht mit Drehknopfalternative DM2  |
| 5 <b>DM1</b> Nur mit Manometeralternative VS, A8, A4, AD1, AD2, AD3, AD4   | 10 <b>WP, WPM</b> Nur mit Anschlussplatte AGA, AGB, AGC, AGD oder AGE   |
| 6 <b>DM2</b> Nur mit Manometeralternative VS, A8, A4   | 11 <b>WB</b> Nicht mit Drehknopfalternative DM2   |

Übertrag Bestellcode

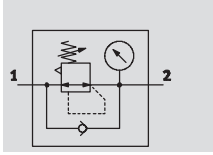
- [ ] - [ ] - [ ] - [ ] - [ ] - [ ] - [ ] - [ ]

## Druckregelventile MS4/MS6-LRB, Baureihe MS

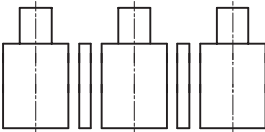
Datenblatt

**FESTO**

Funktion  
mit Manometer



LRB-Batterie  
mit durchgehender Druckver-  
sorgung zur Batteriemontage



- - Durchfluss  
300 ... 7 300 l/min
  - - Temperaturbereich  
-10 ... +60 °C
  - - Eingangsdruck  
0,8 ... 20 bar
  - - [www.festo.com/de/](http://www.festo.com/de/)  
Ersatzteilservice
- Verschleißteilsätze  
➔ 5-21

Das Druckregelventil ist geeignet für Batteriemontage mit durchgeführter Versorgungsdruckluft, zum Aufbau einer Reglerbatterie mit voneinander unabhängigen Druckregelbereichen. Der Druckausgang ist vorn oder hinten.



- Gute Regelcharakteristik mit kleiner Hysterese und Primärdruck-Kompensation
- Batteriemontage mit durchgeführter Versorgungsdruckluft
- Zum Aufbau einer Reglerbatterie mit voneinander unabhängigen Druckregelbereichen
- Mit und ohne Sekundärentlüftung lieferbar
- Sicherung der Einstellwerte durch Arretierung des Drehknopfes
- Abschließbarer Drehknopf
- Vier Druckregelbereiche: 0,3 ... 4 bar, 0,3 ... 7 bar, 0,5 ... 12 bar und 0,5 ... 16 bar
- Rückstromoption zum Entlüften von Ausgang 2 zum Ausgang 1 bereits integriert
- Optionaler Drucksensor mit Anzeige

### Allgemeine Technische Daten

| Baugröße                  | MS4  | MS6  |
|---------------------------|--|--|
| Pneumatischer Anschluss 1 | G¼   | G½   |
| Pneumatischer Anschluss 2 | G¼   | G½   |
|                           | QS-6   | QS-8   |
|                           | QS-8   | QS-10  |
| Konstruktiver Aufbau      | direktgesteuertes Membranregelventil mit durchgehender Druckversorgung |  |
| Reglerfunktion            | mit Vordruckkompensation   |  |
|                           | mit/ohne Sekundärentlüftung  |  |
|                           | Ausgangsdruck konstant   |  |
| Befestigungsart           | mit Zubehör  |  |
|                           | Leitungseinbau   |  |
|                           | Fronttafeleinbau   |  |
| Einbaulage                | beliebig   |  |
| Betätigungssicherung      | Drehknopf mit Arretierung  |  |
|                           | mit Zubehör schließbar   |  |
| Druckregelbereich         | D5 [bar]   | 0,3 ... 4  |
|                           | D6 [bar]   | 0,3 ... 7  |
|                           | D7 [bar]   | 0,5 ... 12 (0,5 ... 10 mit Variante Drucksensor AD...) |
|                           | D8 [bar]   | –  |
| Max. Druckhysterese [bar] | 0,25   |  |
| Druckanzeige              | mit Drucksensor für Anzeige Ausgangsdruck und elektrischem Ausgang     |  |
|                           | mit Manometer für Anzeige Ausgangsdruck                                |  |

## Druckregelventile MS4/MS6-LRB, Baureihe MS

Datenblatt

FESTO

| Normalnenndurchfluss $q_{nN}^{1)}$ [l/min] |    |                     |                    |                   |                     |                    |                   |
|--|----|---------------------|--------------------|-------------------|---------------------|--------------------|-------------------|
| Baugröße                                   |    | MS4                 |                    |                   | MS6                 |                    |                   |
|  |    | Standard            | Winkelabgangsblock |                   | Standard            | Winkelabgangsblock |                   |
|  |    |                     | QS-6               | QS-8              |                     | QS-8               | QS-10             |
| Druckregelbereich                          | D5 | 1 900 <sup>2)</sup> | 300 <sup>2)</sup>  | 650 <sup>2)</sup> | 7 300 <sup>2)</sup> | 600 <sup>2)</sup>  | 750 <sup>2)</sup> |
|  | D6 | 1 700               | 350                | 840               | 6 300               | 880                | 1 000             |
|  | D7 | 1 500               | 350                | 640               | 5 500               | 800                | 950               |
|  | D8 | –                   | –                  | –                 | 4 500               | 750                | 850               |

1) Gemessen bei  $p_1 = 10$  bar und  $p_2 = 6$  bar,  $\Delta p = 1$  bar

2) Gemessen bei  $p_1 = 10$  bar und  $p_2 = 3$  bar,  $\Delta p = 1$  bar

| Betriebs- und Umweltbedingungen |                   |             |             |   |             |
|---------------------------------|-------------------|-------------|-------------|---|-------------|
| Variante                        |                   | Standard    |             | Drucksensor mit Anzeige AD...                                       |             |
| Baugröße                        |                   | MS4         | MS6         | MS4   | MS6         |
| Eingangsdruck                   | [bar]             | 0,8 ... 14  | 0,8 ... 20  | 0,8 ... 14  | 0,8 ... 20  |
| Betriebsmedium                  |                   | Druckluft   |             | gefilterte Druckluft, geölt oder ungeölt, Filterfeinheit 40 $\mu$ m |             |
| Umgebungstemperatur             | [°C]              | -10 ... +60 | -10 ... +60 | 0 ... +50   | 0 ... +50   |
| Mediumtemperatur                | [°C]              | -10 ... +60 | -10 ... +60 | 0 ... +50   | 0 ... +50   |
| Lagertemperatur                 | [°C]              | -10 ... +60 | -10 ... +60 | -10 ... +60   | -10 ... +60 |
| Korrosionsbeständigkeit         | KBK <sup>1)</sup> | 2           |             |   |             |

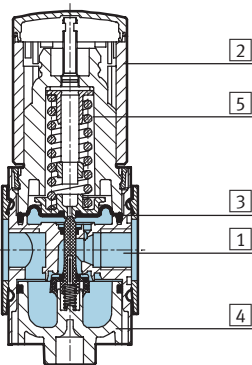
1) Korrosionsbeständigkeitsklasse 2 nach Festo Norm 940 070

Bauteile mit mäßiger Korrosionsbeanspruchung. Außenliegende sichtbare Teile mit vorrangig dekorativer Anforderung an die Oberfläche, die im direkten Kontakt zur umgebenden industriellen Atmosphäre bzw. Medien, wie Kühl- und Schmierstoffe stehen.

| Gewichte [g]     |     |     |
|------------------|-----|-----|
| Baugröße         | MS4 | MS6 |
| Druckregelventil | 222 | 747 |

### Werkstoffe

Funktionschnitt



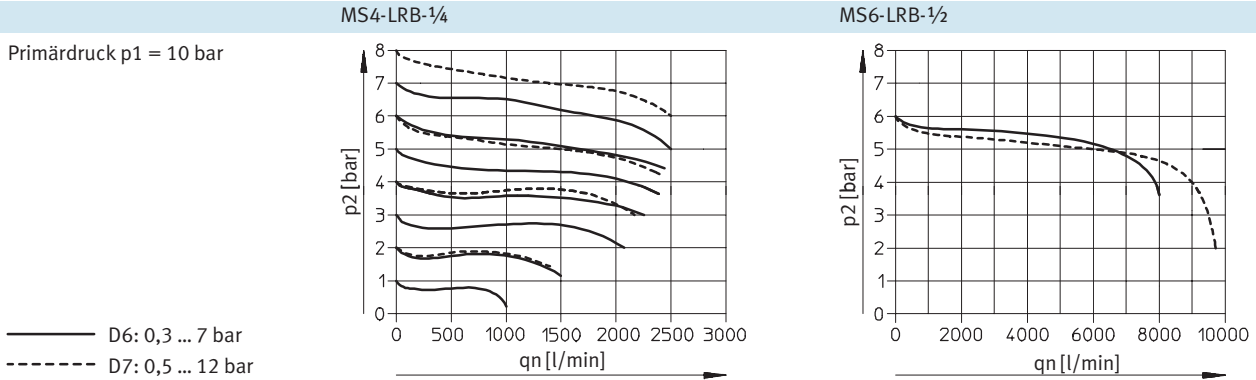
| Druckregelventil (Batteriemontage) |                  |   |
|------------------------------------|------------------|---|
| 1                                  | Gehäuse          | Aluminium-Druckguss                               |
| 2                                  | Reglerknopf      | Polyamid/Polyacetal                               |
| 3                                  | Membran          | Nitrilkautschuk                                   |
| 4                                  | Deckel unten     | Polyester, glasfaserverstärkt                     |
| 5                                  | Federn           | Stahl   |
| –                                  | Dichtungen       | Nitrilkautschuk                                   |
|                                    | Werkstoffhinweis | Kupfer- und PTFE-frei nur mit Verschlussblende VS |

# Druckregelventile MS4/MS6-LRB, Baureihe MS

Datenblatt



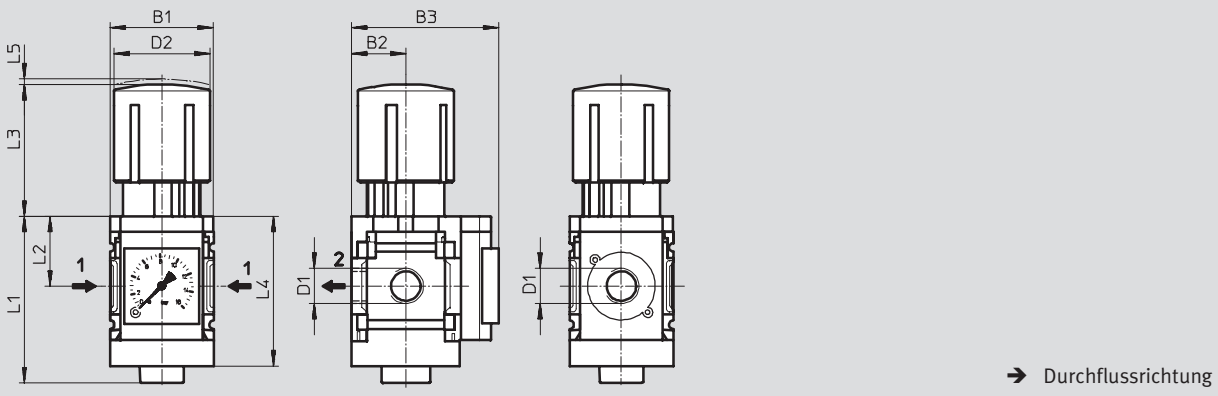
## Normaldurchfluss $q_n$ in Abhängigkeit vom Ausgangsdruck $p_2$



## Abmessungen – Standard

Download CAD-Daten → [www.festo.com/de/engineering](http://www.festo.com/de/engineering)

mit Manometer, Anzeigeeinheit [bar]

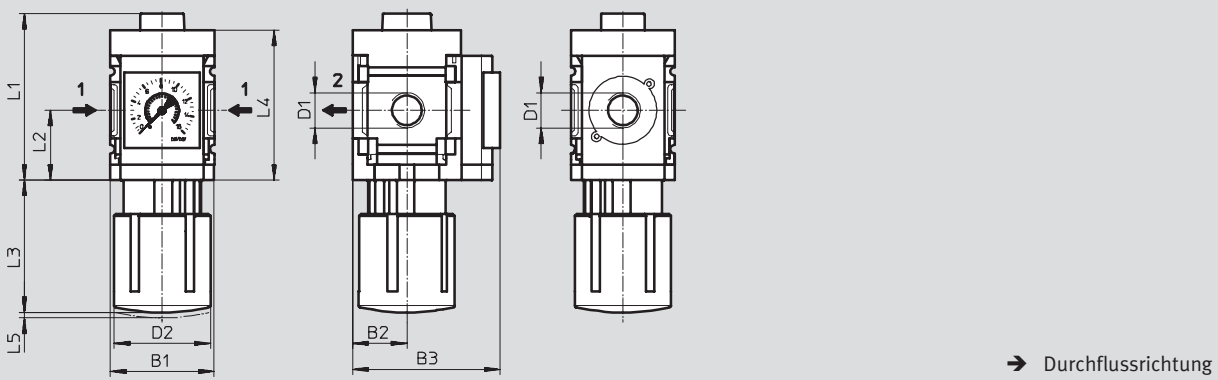


| Typ         | B1 | B2 | B3 | D1   | D2   | L1   | L2 | L3   | L4 | L5 |
|-------------|----|----|----|------|------|------|----|------|----|----|
| MS4-LRB-1/4 | 40 | 21 | 57 | G1/4 | 37,2 | 64,4 | 27 | 51,1 | 58 | 2  |
| MS6-LRB-1/2 | 62 | 31 | 77 | G1/2 | 51   | 93   | 39 | 86   | 84 | 5  |

## Abmessungen – Alternative Einbaulage

Download CAD-Daten → [www.festo.com/de/engineering](http://www.festo.com/de/engineering)

Drehknopf unten KD, Drehknopf Standard, mit Manometer



| Typ                | B1 | B2 | B3 | D1   | D2   | L1   | L2 | L3   | L4 | L5 |
|--------------------|----|----|----|------|------|------|----|------|----|----|
| MS4-LRB-1/4-...-KD | 40 | 21 | 57 | G1/4 | 37,2 | 64,4 | 27 | 51,1 | 58 | 2  |
| MS6-LRB-1/2-...-KD | 62 | 31 | 77 | G1/2 | 51   | 93   | 39 | 86   | 84 | 5  |



# Druckregelventile MS4/MS6-LRB, Baureihe MS

Datenblatt

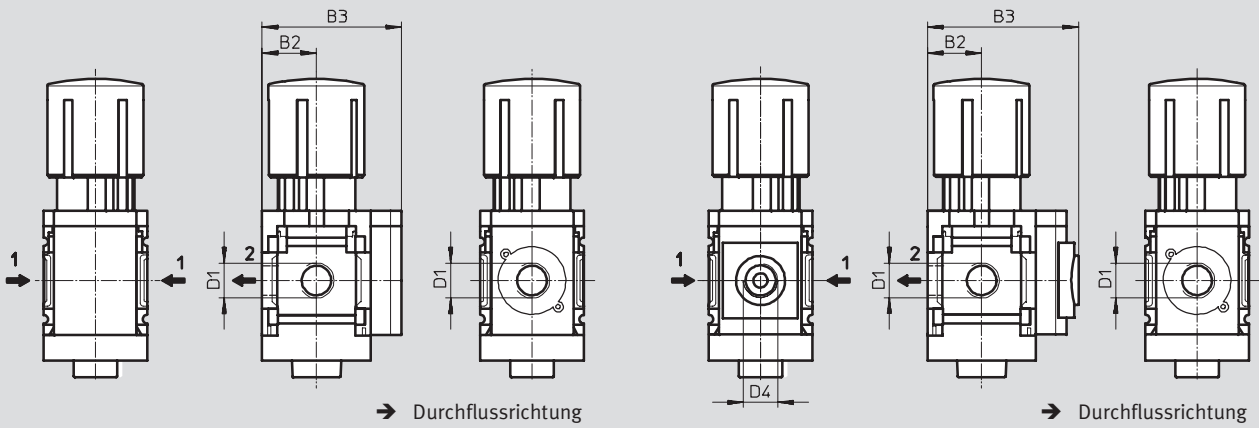
FESTO

## Abmessungen – Manometeralternativen

Download CAD-Daten → [www.festo.com/de/engineering](http://www.festo.com/de/engineering)

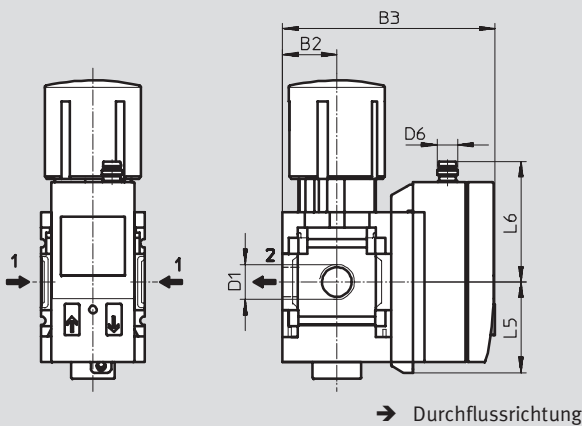
Verschlussblende VS

Adapter A8/A4 für EN-Manometer 1/8/1/4, ohne Manometer



## Drucksensor mit Anzeige AD1 ... AD4

Datenblätter SDE1 → [www.festo.com](http://www.festo.com)



Variante AD1:  
SDE1-D10-G2-MS-L-P1-M8 mit  
3-poligem Stecker M8x1,  
1 Schaltausgang PNP

Variante AD3:  
SDE1-D10-G2-MS-L-PI-M12 mit  
4-poligem Stecker M12x1,  
1 Schaltausgang PNP und  
4 ... 20 mA analog

Variante AD2:  
SDE1-D10-G2-MS-L-N1-M8 mit  
3-poligem Stecker M8x1,  
1 Schaltausgang NPN

Variante AD4:  
SDE1-D10-G2-MS-L-NI-M12 mit  
4-poligem Stecker M12x1,  
1 Schaltausgang NPN und  
4 ... 20 mA analog

| Typ                     | B2 | B3   | D1   | D4   | D6    | L5   | L6   |
|-------------------------|----|------|------|------|-------|------|------|
| MS4-LRB-1/4-...-VS      | 21 | 54   | G1/4 | -    | -     | -    | -    |
| MS4-LRB-1/4-...-A8      | 21 | 58,5 | G1/4 | G1/8 | -     | -    | -    |
| MS4-LRB-1/4-...-A4      | 21 | 58,5 | G1/4 | G1/4 | -     | -    | -    |
| MS4-LRB-1/4-...-AD1/AD2 | 21 | 82,6 | G1/4 | -    | M8x1  | 35,1 | 46,7 |
| MS4-LRB-1/4-...-AD3/AD4 | 21 | 82,6 | G1/4 | -    | M12x1 | 35,1 | 55,8 |
| MS6-LRB-1/2-...-VS      | 31 | 76   | G1/2 | -    | -     | -    | -    |
| MS6-LRB-1/2-...-A4      | 31 | 78,5 | G1/2 | G1/4 | -     | -    | -    |
| MS6-LRB-1/2-...-AD1/AD2 | 31 | 103  | G1/2 | -    | M8x1  | 35,1 | 46,7 |
| MS6-LRB-1/2-...-AD3/AD4 | 31 | 103  | G1/2 | -    | M12x1 | 35,1 | 55,8 |

# Druckregelventile MS4/MS6-LRB, Baureihe MS

Datenblatt



## Abmessungen – Winkelabgangsblock BC/BD/BE

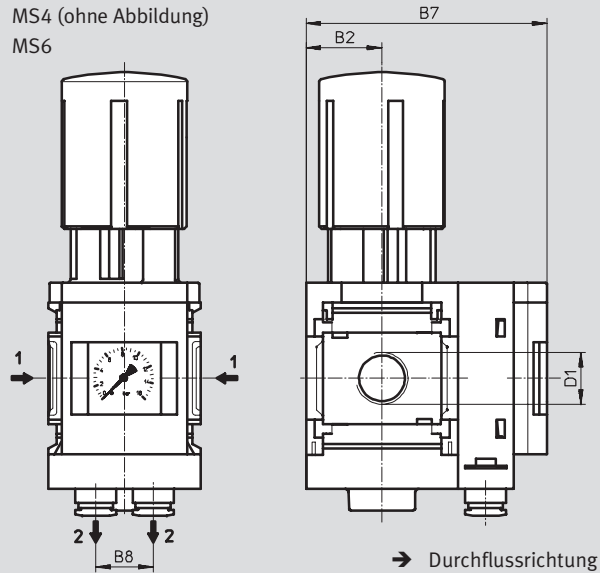
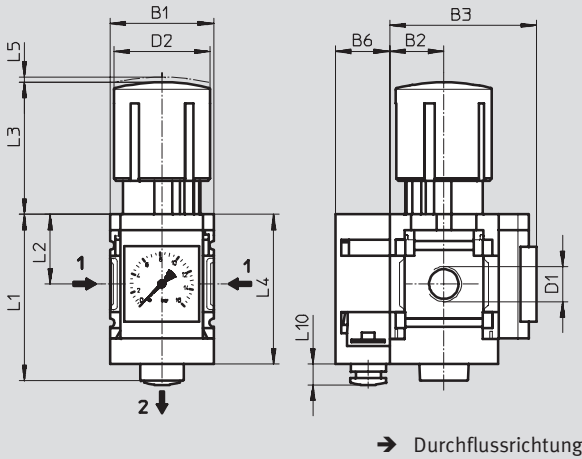
Download CAD-Daten → [www.festo.com/de/engineering](http://www.festo.com/de/engineering)

Druckausgang hinten

Druckausgang vorne Z

MS4  
MS6 (ohne Abbildung)

MS4 (ohne Abbildung)  
MS6



| Typ                  | B1 | B2 | B3 | B6   | B7   | B8   | D1   | D2   | L1   | L2 | L3   | L4 | L5 | L10 |
|----------------------|----|----|----|------|------|------|------|------|------|----|------|----|----|-----|
| MS4-LRB-1/4-...-B... | 40 | 21 | 57 | 21   | 78   | -    | G1/4 | 37,2 | 64,4 | 27 | 51,1 | 58 | 2  | 8   |
| MS6-LRB-1/2-...-B... | 62 | 31 | 77 | 22,6 | 99,6 | 23,4 | G1/2 | 51   | 93   | 39 | 86   | 84 | 5  | 11  |

Wartungsgeräte Baureihe MS  
Druckregler

5

## Abmessungen – Drehknopfalternative

Download CAD-Daten → [www.festo.com/de/engineering](http://www.festo.com/de/engineering)

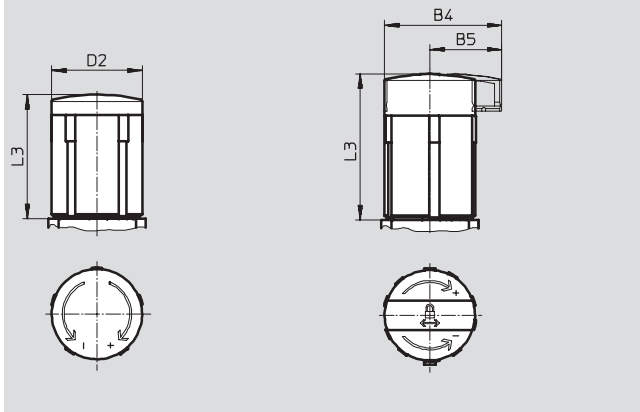
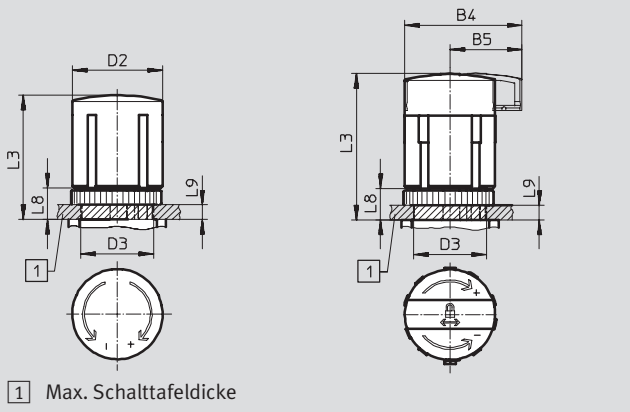
für Schalttafeleinbau

Standard

Standard, abschließbar AS

lang LD

lang, abschließbar LD-AS



| Typ               | B4   | B5   | D2   | D3<br>+1 | L3   | L8 | L9 |
|-------------------|------|------|------|----------|------|----|----|
| MS4-LRB-...       | -    | -    | 37,2 | 30       | 51,1 | 13 | 6  |
| MS4-LRB-...-AS    | 48,3 | 29,7 |      |          | 60,2 |    |    |
| MS4-LRB-...-LD    | -    | -    | 37,2 | -        | 51,1 | -  | -  |
| MS4-LRB-...-LD-AS | 48,3 | 29,7 |      |          | 60,2 |    |    |
| MS6-LRB-...       | -    | -    | 51   | 44       | 86   | 22 | 14 |
| MS6-LRB-...-AS    | 67,7 | 42   |      |          | 95,5 |    |    |
| MS6-LRB-...-LD    | -    | -    | 51   | -        | 86   | -  | -  |
| MS6-LRB-...-LD-AS | 67,7 | 42   |      |          | 95,5 |    |    |

## Druckregelventile MS4/MS6-LRB, Baureihe MS

**FESTO**

Datenblatt

| <b>Bestellangaben</b>                       |                 |   |                               |   |                                  |
|---|-----------------|---|-------------------------------|---|----------------------------------|
| Manometer, Drehknopf Standard, abschließbar |                 |   |                               |   |                                  |
| Baugröße                                    | Anschluss       | Druckausgang hinten ohne Winkelabgangsblock |                               | Druckausgang hinten mit Winkelabgangsblock QS-8 |                                  |
|   |                 | Teile-Nr.                                   | Typ                           | Teile-Nr.                                       | Typ                              |
| <b>Druckregelbereich 0,3 ... 4 bar</b>      |                 |   |                               |   |                                  |
| MS4   | G $\frac{1}{4}$ | 529 473                                     | MS4-LRB- $\frac{1}{4}$ -D5-AS | 529 474   | MS4-LRB- $\frac{1}{4}$ -D5-AS-BD |
| MS6   | G $\frac{1}{2}$ | 530 322                                     | MS6-LRB- $\frac{1}{2}$ -D5-AS | 530 323   | MS6-LRB- $\frac{1}{2}$ -D5-AS-BD |
| <b>Druckregelbereich 0,3 ... 7 bar</b>      |                 |   |                               |   |                                  |
| MS4   | G $\frac{1}{4}$ | 529 479                                     | MS4-LRB- $\frac{1}{4}$ -D6-AS | 529 480   | MS4-LRB- $\frac{1}{4}$ -D6-AS-BD |
| MS6   | G $\frac{1}{2}$ | 530 328                                     | MS6-LRB- $\frac{1}{2}$ -D6-AS | 530 329   | MS6-LRB- $\frac{1}{2}$ -D6-AS-BD |
| <b>Druckregelbereich 0,5 ... 12 bar</b>     |                 |   |                               |   |                                  |
| MS4   | G $\frac{1}{4}$ | 529 485                                     | MS4-LRB- $\frac{1}{4}$ -D7-AS | 529 486   | MS4-LRB- $\frac{1}{4}$ -D7-AS-BD |
| MS6   | G $\frac{1}{2}$ | 530 334                                     | MS6-LRB- $\frac{1}{2}$ -D7-AS | 530 335   | MS6-LRB- $\frac{1}{2}$ -D7-AS-BD |

| <b>Bestellangaben</b>  |                 |   |                                  |
|--|-----------------|---|----------------------------------|
| Adapter A8 für EN-Manometer $\frac{1}{8}$ , Drehknopf Standard, abschließbar |                 |   |                                  |
| Baugröße   | Anschluss       | Druckausgang hinten ohne Winkelabgangsblock |                                  |
|  |                 | Teile-Nr.                                   | Typ                              |
| <b>Druckregelbereich 0,3 ... 4 bar</b>                                       |                 |   |                                  |
| MS4  | G $\frac{1}{4}$ | 529 471                                     | MS4-LRB- $\frac{1}{4}$ -D5-A8-AS |
| <b>Druckregelbereich 0,3 ... 7 bar</b>                                       |                 |   |                                  |
| MS4  | G $\frac{1}{4}$ | 529 477                                     | MS4-LRB- $\frac{1}{4}$ -D6-A8-AS |
| <b>Druckregelbereich 0,5 ... 12 bar</b>                                      |                 |   |                                  |
| MS4  | G $\frac{1}{4}$ | 529 483                                     | MS4-LRB- $\frac{1}{4}$ -D7-A8-AS |

| <b>Bestellangaben</b>  |                 |   |                                  |
|--|-----------------|---|----------------------------------|
| Adapter A4 für EN-Manometer $\frac{1}{4}$ , Drehknopf Standard, abschließbar |                 |   |                                  |
| Baugröße   | Anschluss       | Druckausgang hinten ohne Winkelabgangsblock |                                  |
|  |                 | Teile-Nr.                                   | Typ                              |
| <b>Druckregelbereich 0,3 ... 4 bar</b>                                       |                 |   |                                  |
| MS6  | G $\frac{1}{2}$ | 530 320                                     | MS6-LRB- $\frac{1}{2}$ -D5-A4-AS |
| <b>Druckregelbereich 0,3 ... 7 bar</b>                                       |                 |   |                                  |
| MS6  | G $\frac{1}{2}$ | 530 326                                     | MS6-LRB- $\frac{1}{2}$ -D6-A4-AS |
| <b>Druckregelbereich 0,5 ... 12 bar</b>                                      |                 |   |                                  |
| MS6  | G $\frac{1}{2}$ | 530 332                                     | MS6-LRB- $\frac{1}{2}$ -D7-A4-AS |

| <b>Bestellangaben – Verschleißteilsätze</b> |           |            |  |
|---|-----------|------------|--|
| Baugröße                                    | Teile-Nr. | Typ        |  |
| MS4   | 673 649   | MS4-LR/LRB |  |
| MS6   | 673 650   | MS6-LR/LRB |  |

**Druckregelventile MS4/MS6-LRB, Baureihe MS**

Bestellangaben – Produktbaukasten



| M Mindestangaben                  |           |          |            |   |                      | O Optionen →                               |
|-----------------------------------|-----------|----------|------------|---|----------------------|--|
| Baukasten-Nr.                     | Baureihe  | Baugröße | Funktion   | Anschlussgröße                                | Druckregelbereich    | Manometeralternativen                      |
| 527 692<br>527 665                | MS        | 4<br>6   | LRB        | 1/4<br>1/2<br>AGA<br>AGB<br>AGC<br>AGD<br>AGE | D5<br>D6<br>D7<br>D8 | VS<br>A8<br>A4<br>AD1<br>AD2<br>AD3<br>AD4 |
| <b>Bestellbeispiel</b><br>527 692 | <b>MS</b> | <b>4</b> | <b>LRB</b> | <b>AGC</b>                                    | <b>D5</b>            | <b>A4</b>                                  |

| Bestelltabelle |                       |   |                |                      |                          |                          |                          |             |
|----------------|-----------------------|---|----------------|----------------------|--------------------------|--------------------------|--------------------------|-------------|
| Rastermaß      | [mm]                  | 40  | 62             | Bedingungen          | Code                     | Eintrag Code             |                          |             |
| M              | Baukasten-Nr.         | 527 692   | 527 665        |                      |                          |                          |                          |             |
|                | Baureihe              | Standard  |                |                      | <b>MS</b>                |                          | MS                       |             |
|                | Baugröße              | 4   | 6              |                      | ...                      |                          |                          |             |
|                | Funktion              | Druckregelventil für Batteriemontage  |                |                      | <b>-LRB</b>              |                          | -LRB                     |             |
|                | Anschlussgröße        | Gewinde G1/4  | –              |                      | <b>-1/4</b>              |                          |                          |             |
|                |                       | –   | Gewinde G1/2   |                      | <b>-1/2</b>              |                          |                          |             |
|                |                       | Anschlussplatte G1/8  | –              |                      | <b>-AGA</b>              |                          |                          |             |
|                |                       | Anschlussplatte G1/4  | –              | Anschlussplatte G1/4 |                          | <b>-AGB</b>              |                          |             |
|                |                       | Anschlussplatte G3/8  | –              | Anschlussplatte G3/8 |                          | <b>-AGC</b>              |                          |             |
|                |                       | –   | –              | Anschlussplatte G1/2 |                          | <b>-AGD</b>              |                          |             |
|                |                       | –   | –              | Anschlussplatte G3/4 |                          | <b>-AGE</b>              |                          |             |
|                | Druckregelbereich     | 0,3 ... 4 bar   |                |                      | <b>-D5</b>               |                          |                          |             |
|                |                       | 0,3 ... 7 bar   |                |                      | <b>-D6</b>               |                          |                          |             |
|                |                       | 0,5 ... 12 bar  |                |                      | <b>-D7</b>               |                          |                          |             |
|                |                       | –   | 0,5 ... 16 bar |                      |                          | <b>-D8</b>               |                          |             |
| O              | Manometeralternativen | Verschlussblende  |                |                      | <input type="checkbox"/> | <b>-VS</b>               |                          |             |
|                |                       | Adapter für EN-Manometer 1/8, ohne Manometer  |                | –                    |                          | <input type="checkbox"/> | <b>-A8</b>               |             |
|                |                       | Adapter für EN-Manometer 1/4, ohne Manometer  |                |                      |                          | <input type="checkbox"/> | <b>-A4</b>               |             |
|                |                       | Drucksensor mit Anzeige, Stecker M8, 1 Schaltausgang PNP, 3-polig                             |                |                      |                          | <input type="checkbox"/> | <input type="checkbox"/> | <b>-AD1</b> |
|                |                       | Drucksensor mit Anzeige, Stecker M8, 1 Schaltausgang NPN, 3-polig                             |                |                      |                          | <input type="checkbox"/> | <input type="checkbox"/> | <b>-AD2</b> |
|                |                       | Drucksensor mit Anzeige, Stecker M12, 1 Schaltausgang PNP, 4-polig, Analogausgang 4 ... 20 mA |                |                      |                          | <input type="checkbox"/> | <input type="checkbox"/> | <b>-AD3</b> |
|                |                       | Drucksensor mit Anzeige, Stecker M12, 1 Schaltausgang NPN, 4-polig, Analogausgang 4 ... 20 mA |                |                      |                          | <input type="checkbox"/> | <input type="checkbox"/> | <b>-AD4</b> |

**1 VS** Muss gewählt werden, wenn alternative Durchflussrichtung Z ohne alternative Einbaulage KD und ohne Druckausgang BC, BD, BE gewählt wird. Muss gewählt werden, wenn alternative Einbaulage KD ohne alternativer Durchflussrichtung Z und ohne Druckausgang BC, BD, BE gewählt wird

**2 A8, A4, AD1 ... AD4** In Kombination mit alternativer Durchflussrichtung Z nur mit alternativer Einbaulage KD  
**3 AD1 ... AD4** Messbereich max. 10 bar. Nicht mit Druckregelbereich D8

**Übertrag Bestellcode**

-  -  -  -

# Druckregelventile MS4/MS6-LRB, Baureihe MS



Bestellangaben – Produktbaukasten

→  Optionen

| Alternative Manometerskalierung | Sekundär-entlüftung | Drehknopf-alternative | Alternative Einbaulage | Abschließ-barkeit | Druck-ausgang  | Befesti-gungsart                    | Alternative Durchfluss-richtung |
|---------------------------------|---------------------|-----------------------|------------------------|-------------------|----------------|-------------------------------------|---------------------------------|
| PSI<br>MPA                      | OS                  | LD                    | KD                     | AS                | BC<br>BD<br>BE | WR<br>WP<br>WPM<br>WPB<br>WB<br>WBM | Z                               |
| -                               | - <b>OS</b>         | - <b>LD</b>           | -                      | - <b>AS</b>       | - <b>BC</b>    | - <b>WP</b>                         | -                               |

| Bestelltablelle                          |   | Rastermaß [mm] | 40 | 62                       | Bedin-gungen | Code | Eintrag Code |
|--|---|----------------|----|--------------------------|--------------|------|--------------|
| Alternative Manometer-skalierung         | psi   |                |    |                          | 4            | -PSI |              |
|  | MPa   |                |    |                          | 4            | -MPA |              |
| Sekundärentlüftung                       | ohne Sekundärentlüftung                               |                |    |                          |              | -OS  |              |
| Drehknopfalternative                     | langer Drehknopf                                      |                |    |                          |              | -LD  |              |
| Alternative Einbaulage                   | Drehknopf unten                                       |                |    |                          | 5            | -KD  |              |
| Abschließbarkeit                         | abschließbarer Drehknopf                              |                |    |                          |              | -AS  |              |
| Druckausgang (p <sub>max</sub> = 10 bar) | Winkelabgangsblock QS-6                               |                |    |                          |              | -BC  |              |
|  | Winkelabgangsblock QS-8                               |                |    | Winkelabgangsblock QS-8  |              | -BD  |              |
|  |   |                |    | Winkelabgangsblock QS-10 |              | -BE  |              |
| Befestigungsart                          | Befestigungswinkel mit Rändelmutter für Reglerkopf    |                |    |                          | 6 7          | -WR  |              |
|  | Befestigungswinkel                                    |                |    |                          | 8 9          | -WP  |              |
|  | Befestigungswinkel                                    |                |    |                          | 6 8          | -WPM |              |
|  | Befestigungswinkel für großen Wandabstand             |                |    |                          | 8 10         | -WPB |              |
|  | Befestigungswinkel                                    |                |    |                          | 6            | -WB  |              |
|  | Befestigungswinkel                                    |                |    |                          | 6            | -WBM |              |
| Alternative Durchfluss-richtung          | Druckausgang vorne (ohne Druckausgang kein Manometer) |                |    |                          |              | -Z   |              |

- 4 PSI, MPA** Nicht mit Manometeralternativen VS, A8, A4, AD1, AD2, AD3, AD4. Nicht mit alternative Einbaulage KD. In Kombination mit alternativer Durchflussrichtung Z nur mit Druckausgang BC, BD, BE
- 5 KD** Nicht mit alternativer Manometerskalierung PSI, MPA. Nicht mit Befestigungsart WP, WPB. In Kombination mit Befestigungsart WR, WPM, WB, WBM nicht mit alternativer Durchflussrichtung Z. In Kombination mit Manometeralternativen A8, A4, AD1, AD2, AD3, AD4 nur mit alternativer Durchflussrichtung Z

- 6 WR, WPM, WB, WBM** In Kombination mit alternativer Durchflussrichtung Z nicht mit alternativer Einbaulage KD
- 7 WR** Nur mit alternativer Durchflussrichtung Z. Nicht mit Drehknopfalternative LD
- 8 WP, WPM, WPB** Nur mit Anschlussplatte AGA, AGB, AGC, AGD, AGE
- 9 WP** Nur mit alternativer Durchflussrichtung Z und/oder nur mit Druckausgang BC, BD, BE
- 10 WPB** Nicht mit alternativer Durchflussrichtung Z. Nicht mit Druckausgang BC, BD, BE

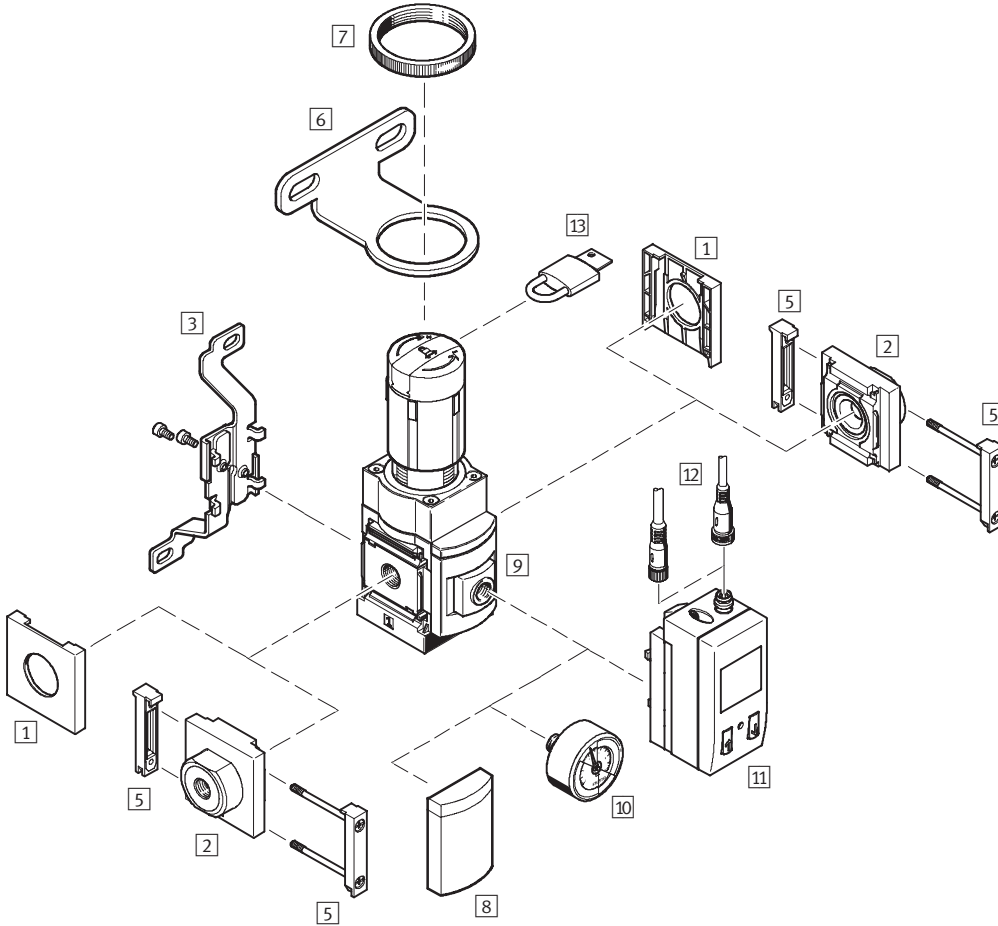
Übertrag Bestellcode

-  -  -  -  -  -  -  -

# Präzisions-Druckregelventile MS6-LRP/LRPB, Baureihe MS

Peripherieübersicht

## Präzisions-Druckregelventil LRP



# Präzisions-Druckregelventile MS6-LRP/LRPB, Baureihe MS

Peripherieübersicht

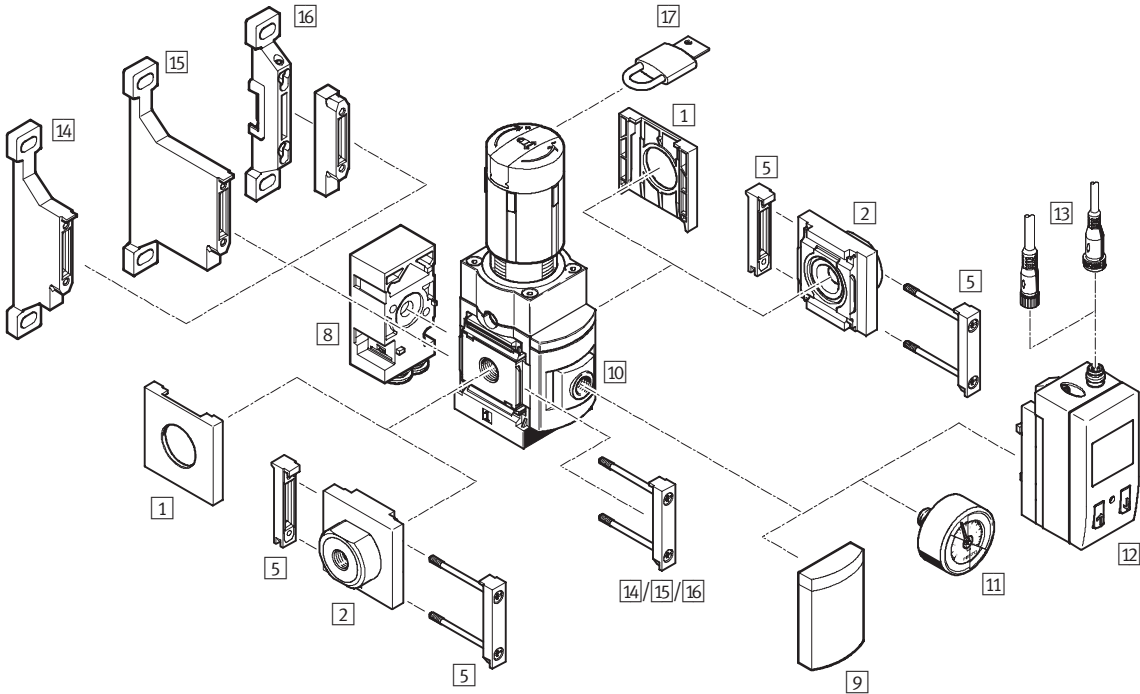
| Befestigungselemente und Zubehör – LRP |   |                      |                     |                      |                     |               |
|--|---|----------------------|---------------------|----------------------|---------------------|---------------|
|  |   | Einzelgerät          |                     | Kombination → 2-0    |                     | → Seite       |
|  |   | ohne Anschlussplatte | mit Anschlussplatte | ohne Anschlussplatte | mit Anschlussplatte |               |
| 1                                      | Abdeckkappe<br>MS6-END                            | ■                    | –                   | ■                    | –                   | 11-3          |
| 2                                      | Anschlussplatte<br>MS6-AG...                      | –                    | ■                   | –                    | ■                   | 11-2          |
| 3                                      | Befestigungswinkel<br>MS6-WB                      | ■                    | ■                   | –                    | –                   | 11-4          |
| 5                                      | Modulverbinder<br>MS6-MV                          | –                    | ■                   | ■                    | ■                   | 11-9          |
| 6                                      | Befestigungswinkel<br>MS6-WR                      | ■                    | ■                   | –                    | –                   | 11-5          |
| 7                                      | Rändelmutter (im Lieferumfang enthalten)<br>MS-LR | ■                    | ■                   | –                    | –                   | –             |
| 8                                      | Verschlussblende<br>VS                            | ■                    | ■                   | ■                    | ■                   | 5-36          |
| 9                                      | Adapter für EN-Manometer 1/8/1/4<br>A8/A4         | ■                    | ■                   | ■                    | ■                   | 5-36          |
| 10                                     | Präzisionsmanometer<br>A8M/MAP                    | ■                    | ■                   | ■                    | ■                   | 5-36<br>11-10 |
| 11                                     | Drucksensor SDE1-...-MS<br>AD1 ... AD4            | ■                    | ■                   | ■                    | ■                   | 5-36          |
| 12                                     | Steckdosenkabel<br>SIM-M8-3.../SIM-M12-4...       | ■                    | ■                   | ■                    | ■                   | 11-10         |
| 13                                     | Bügelverschluss<br>LRVS-D                         | ■                    | ■                   | ■                    | ■                   | 11-11         |
| –                                      | Befestigungswinkel<br>MS6-WP/WPB/WPM              | –                    | ■                   | ■                    | ■                   | 11-7, 11-8    |

# Präzisions-Druckregelventile MS6-LRP/LRPB, Baureihe MS

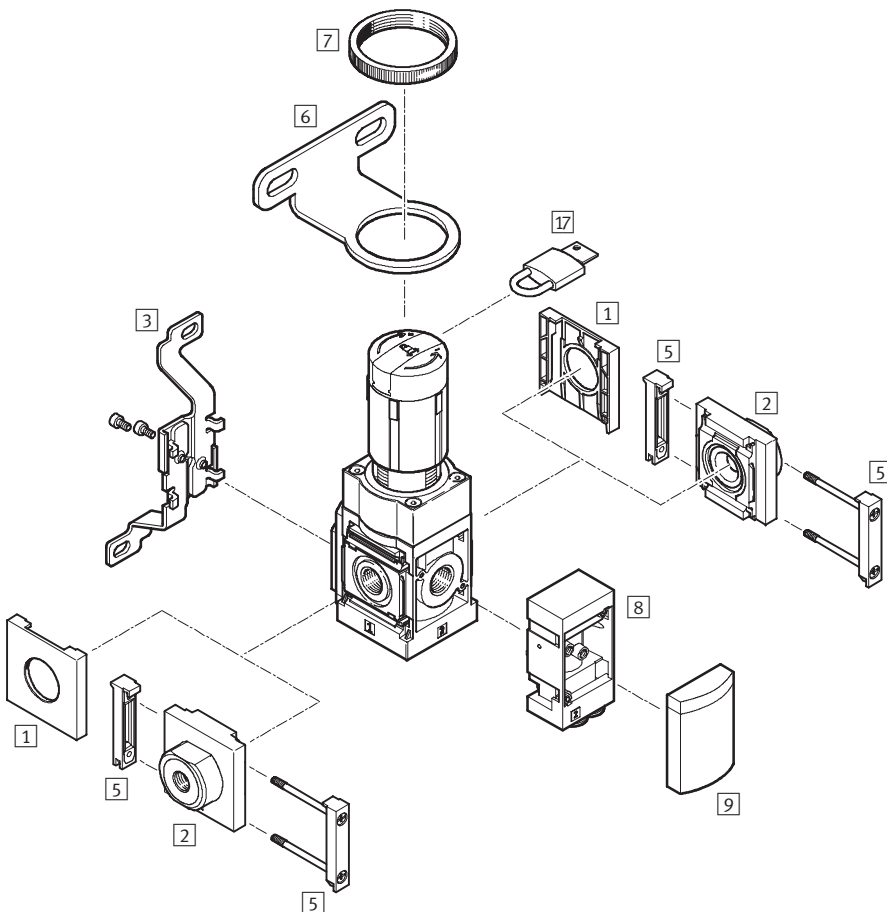
Peripherieübersicht

## Präzisions-Druckregelventil LRPB

Druckausgang hinten



Druckausgang vorne Z





# Präzisions-Druckregelventile MS6-LRP/LRPB, Baureihe MS

Peripherieübersicht

| Befestigungselemente und Zubehör – LRPB |   |                      |                     |                      |                     |               |
|---|---|----------------------|---------------------|----------------------|---------------------|---------------|
|   |   | Einzelgerät          |                     | Kombination → 2-0    |                     | → Seite       |
|   |   | ohne Anschlussplatte | mit Anschlussplatte | ohne Anschlussplatte | mit Anschlussplatte |               |
| 1                                       | Abdeckkappe<br>MS6-END                            | ■                    | -                   | ■                    | -                   | 11-3          |
| 2                                       | Anschlussplatte<br>MS6-AG...                      | -                    | ■                   | -                    | ■                   | 11-2          |
| 3                                       | Befestigungswinkel<br>MS6-WB                      | ■                    | ■                   | -                    | -                   | 11-4          |
| 5                                       | Modulverbinder<br>MS6-MV                          | -                    | ■                   | ■                    | ■                   | 11-9          |
| 6                                       | Befestigungswinkel<br>MS6-WR                      | ■                    | ■                   | -                    | -                   | 11-5          |
| 7                                       | Rändelmutter (im Lieferumfang enthalten)<br>MS-LR | ■                    | ■                   | -                    | -                   | -             |
| 8                                       | Winkelabgangsblock<br>B...                        | ■                    | ■                   | ■                    | ■                   | 5-44          |
| 9                                       | Verschlussblende<br>VS                            | ■                    | ■                   | ■                    | ■                   | 5-44          |
| 10                                      | Adapter für EN-Manometer 1/8/1/4<br>A8/A4         | ■                    | ■                   | ■                    | ■                   | 5-44          |
| 11                                      | Präzisionsmanometer<br>A8M/MAP                    | ■                    | ■                   | ■                    | ■                   | 5-44<br>11-10 |
| 12                                      | Drucksensor SDE1-...-MS<br>AD1 ... AD4            | ■                    | ■                   | ■                    | ■                   | 5-44          |
| 13                                      | Steckdosenkabel<br>SIM-M8-3.../SIM-M12-4...       | ■                    | ■                   | ■                    | ■                   | 11-10         |
| 14                                      | Befestigungswinkel<br>MS6-WP                      | -                    | ■                   | ■                    | ■                   | 11-7          |
| 15                                      | Befestigungswinkel<br>MS6-WPB                     | -                    | ■                   | ■                    | ■                   | 11-7          |
| 16                                      | Befestigungswinkel<br>MS6-WPM                     | -                    | ■                   | ■                    | ■                   | 11-8          |
| 17                                      | Bügelverschluss<br>LRVS-D                         | ■                    | ■                   | ■                    | ■                   | 11-11         |

# Präzisions-Druckregelventile MS6-LRP/LRPB, Baureihe MS

Typenschlüssel

MS 6 - LRPB - 1/2 - D7 - A8 - BD

### Baureihe

|    |                          |
|----|--------------------------|
| MS | Wartungseinheit Standard |
|----|--------------------------|

### Baugröße

|   |                 |
|---|-----------------|
| 6 | Rastermaß 62 mm |
|---|-----------------|

### Wartungsfunktion

|      |   |
|------|---|
| LRP  | Präzisions-Druckregelventil                     |
| LRPB | Präzisions-Druckregelventil für Batteriemontage |

### Anschlussgröße

|     |              |
|-----|--------------|
| 1/4 | Gewinde G1/4 |
| 3/8 | Gewinde G3/8 |
| 1/2 | Gewinde G1/2 |

### Druckregelbereich

|    |                  |
|----|------------------|
| D2 | 0,05 ... 0,7 bar |
| D4 | 0,05 ... 2,5 bar |
| D5 | 0,1 ... 4 bar    |
| D7 | 0,1 ... 12 bar   |

### Manometeralternativen

|    |  |
|----|--|
| A8 | Adapter für EN-Manometer 1/8, ohne Manometer |
|----|--|

### Druckausgang (nur LRPB)

|    |                          |
|----|--------------------------|
|    | ohne Winkelabgangsblock  |
| BD | Winkelabgangsblock QS-8  |
| BE | Winkelabgangsblock QS-10 |

### Weitere Varianten können Sie über den Produktbaukasten bestellen

Präzisions-Druckregelventile LRP → 5-36

Präzisions-Druckregelventile LRPB → 5-44

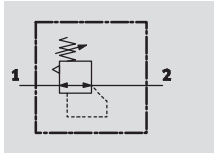
- Anschlussplatten
- Manometeralternativen
- Drehknopfalternative
- Alternative Einbaulage
- Abschließbarkeit
- Befestigungsart
- Alternative Durchflussrichtung





# Präzisions-Druckregelventile MS6-LRP, Baureihe MS

**FESTO**

Datenblatt

Funktion



-  - Durchfluss  
800 ... 5 000 l/min
-  - Temperaturbereich  
-10 ... +60 °C
-  - Eingangsdruck  
1 ... 14 bar
-  - [www.festo.com/de/](http://www.festo.com/de/)  
Ersatzteilservice



Das Präzisions-Druckregelventil eignet sich für sensible Anwendungen mit einer geforderten Druckhysterese von 0,02 bar.

- Gute Regelcharakteristik mit kleiner Hysterese und Primärdruck-Kompensation
- Hohe Durchflussleistung bei geringem Druckabfall
- Sicherung der Einstellwerte durch Arretierung des Drehknopfs
- Abschließbarer Drehknopf (optional)
- Vier Druckregelbereiche: 0,05 ... 0,7 bar, 0,05 ... 2,5 bar, 0,1 ... 4 bar und 0,1 ... 12 bar
- Optionaler Drucksensor mit Anzeige

| Allgemeine Technische Daten           |  |  |                 |
|---------------------------------------|--|--|-----------------|
| Baugröße                              | MS6  |  |                 |
| Pneumatischer Anschluss 1, 2          | G $\frac{1}{4}$  | G $\frac{3}{8}$  | G $\frac{1}{2}$ |
| Pneumatischer Anschluss 3             | G $\frac{1}{4}$  |  |                 |
| Konstruktiver Aufbau                  | vorgesteuertes Präzisions-Membranregelventil                       |  |                 |
| Reglerfunktion                        | mit Sekundärentlüftung<br>Ausgangsdruck konstant                   |  |                 |
| Befestigungsart                       | mit Zubehör<br>Leitungseinbau<br>Fronttafeleinbau                  |  |                 |
| Einbaulage                            | beliebig   |  |                 |
| Betätigungssicherung                  | Drehknopf mit Arretierung<br>mit Zubehör schließbar                |  |                 |
| Druckregelbereich                     | D2 [bar]   | 0,05 ... 0,7   |                 |
|                                       | D4 [bar]   | 0,05 ... 2,5   |                 |
|                                       | D5 [bar]   | 0,1 ... 4  |                 |
|                                       | D7 [bar]   | 0,1 ... 12 (0,1 ... 10 mit Variante Drucksensor AD...) |                 |
| Max. Druckhysterese [bar]             | 0,02   |  |                 |
| Druckanzeige                          | mit Drucksensor für Anzeige Ausgangsdruck und elektrischem Ausgang |  |                 |
|                                       | mit Präzisionsmanometer für Anzeige Ausgangsdruck                  |  |                 |
|                                       | G $\frac{1}{8}$ vorbereitet  |  |                 |
|                                       | G $\frac{1}{4}$ vorbereitet  |  |                 |
| Durchfluss Sekundärentlüftung [l/min] | ≥ 220 bei Druckregelbereich D2                                     |  |                 |
|                                       | ≥ 450 bei Druckregelbereich D4                                     |  |                 |
|                                       | ≥ 650 bei Druckregelbereich D5                                     |  |                 |
|                                       | ≥ 900 bei Druckregelbereich D7                                     |  |                 |

# Präzisions-Druckregelventile MS6-LRP, Baureihe MS

Datenblatt

| Normalnenndurchfluss qnN [l/min] |    |                               |                               |                               |
|----------------------------------|----|-------------------------------|-------------------------------|-------------------------------|
| Pneumatischer Anschluss          |    | G <sup>1</sup> / <sub>4</sub> | G <sup>3</sup> / <sub>8</sub> | G <sup>1</sup> / <sub>2</sub> |
| Druckregelbereich                | D2 | 800 <sup>1)</sup>             | 1 100 <sup>1)</sup>           | 1 600 <sup>1)</sup>           |
|                                  | D4 | 1 100 <sup>2)</sup>           | 1 400 <sup>2)</sup>           | 2 300 <sup>2)</sup>           |
|                                  | D5 | 1 400 <sup>3)</sup>           | 1 700 <sup>3)</sup>           | 3 000 <sup>3)</sup>           |
|                                  | D7 | 3 000 <sup>4)</sup>           | 3 300 <sup>4)</sup>           | 5 000 <sup>4)</sup>           |

- 1) Gemessen bei p<sub>1</sub> = 10 bar und p<sub>2</sub> = 0,5 bar, Δp = 0,1 bar
- 2) Gemessen bei p<sub>1</sub> = 10 bar und p<sub>2</sub> = 1,5 bar, Δp = 0,1 bar
- 3) Gemessen bei p<sub>1</sub> = 10 bar und p<sub>2</sub> = 2,5 bar, Δp = 0,1 bar
- 4) Gemessen bei p<sub>1</sub> = 10 bar und p<sub>2</sub> = 6,0 bar, Δp = 0,1 bar

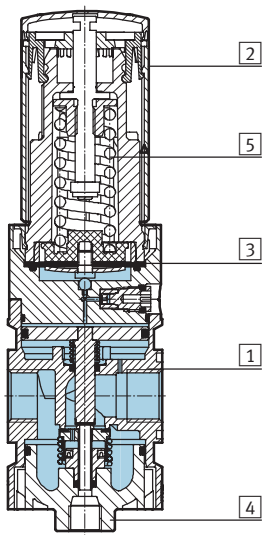
| Betriebs- und Umweltbedingungen           |  |                               |
|---|--|-------------------------------|
| Variante                                  | Standard   | Drucksensor mit Anzeige AD... |
| Eingangsdruck [bar]                       | 1 ... 14   | 1 ... 14                      |
| Betriebsmedium                            | gefilterte, nicht geölte Druckluft, Filterfeinheit 40 µm |                               |
| Umgebungstemperatur [°C]                  | -10 ... +60  | 0 ... +50                     |
| Mediumtemperatur [°C]                     | -10 ... +60  | 0 ... +50                     |
| Lagertemperatur [°C]                      | -10 ... +60  | -10 ... +60                   |
| Korrosionsbeständigkeit KBK <sup>1)</sup> | 2  |                               |

- 1) Korrosionsbeständigkeitsklasse 2 nach Festo Norm 940 070  
Bauteile mit mäßiger Korrosionsbeanspruchung. Außenliegende sichtbare Teile mit vorrangig dekorativer Anforderung an die Oberfläche, die im direkten Kontakt zur umgebenden industriellen Atmosphäre bzw. Medien, wie Kühl- und Schmierstoffe stehen.

| Gewichte [g]                |       |
|-----------------------------|-------|
| Präzisions-Druckregelventil | 1 000 |

## Werkstoffe

### Funktionsschnitt



| Präzisions-Druckregelventil  |                                 |
|--|---------------------------------|
| 1  | Gehäuse Aluminium-Druckguss     |
| 2  | Reglerknopf Polyamid/Polyacetal |
| 3  | Membrane Nitrilkautschuk        |
| 4  | Deckel unten Polycarbonat       |
| 5  | Federn Stahl                    |
| -  | Dichtungen Nitrilkautschuk      |
| Werkstoffhinweis Kupfer- und PTFE-frei (nicht mit Variante A8M oder AD...) |                                 |

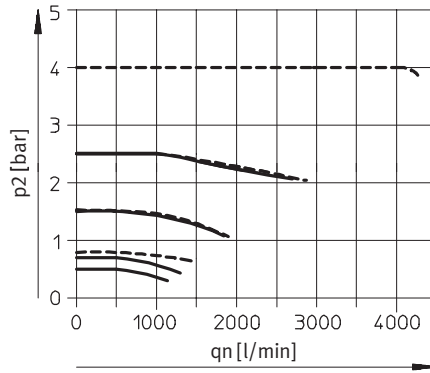
# Präzisions-Druckregelventile MS6-LRP, Baureihe MS

Datenblatt

## Normaldurchfluss $q_n$ in Abhängigkeit vom Ausgangsdruck $p_2$

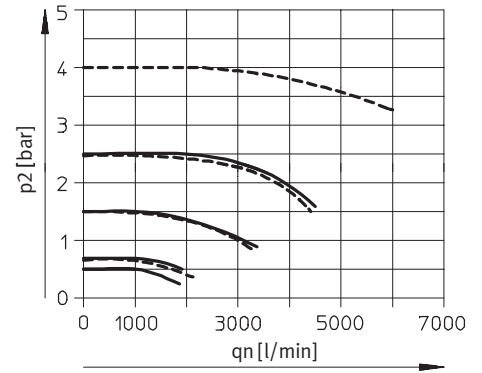
MS6-LRP-1/4

Primärdruck  $p_1 = 10$  bar



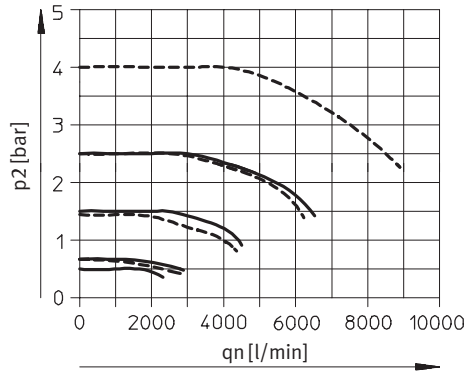
— D4: 0,05 ... 2,5 bar  
 - - - D5: 0,1 ... 4 bar

MS6-LRP-3/8



MS6-LRP-1/2

Primärdruck  $p_1 = 10$  bar



— D4: 0,05 ... 2,5 bar  
 - - - D5: 0,1 ... 4 bar

# Präzisions-Druckregelventile MS6-LRP, Baureihe MS

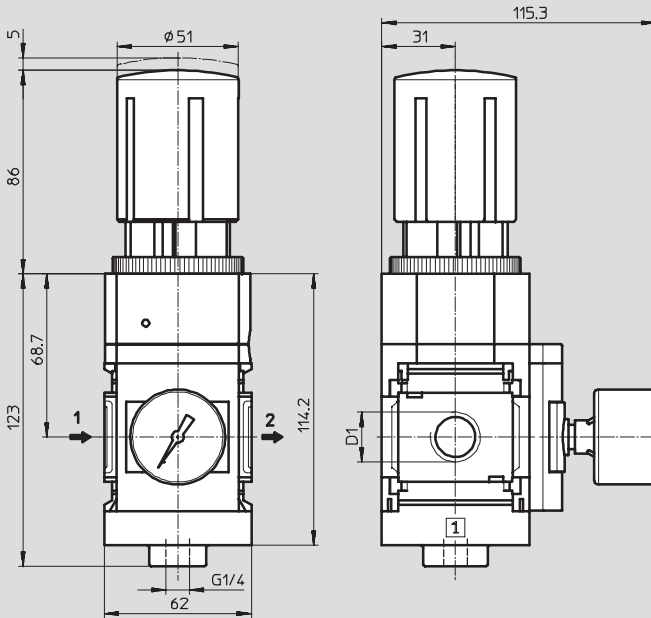
Datenblatt

## Abmessungen

Adapter A8M für EN-Manometer 1/8, mit Präzisionsmanometer MAP

Download CAD-Daten → [www.festo.com/de/engineering](http://www.festo.com/de/engineering)

Datenblätter MAP → [www.festo.com](http://www.festo.com)



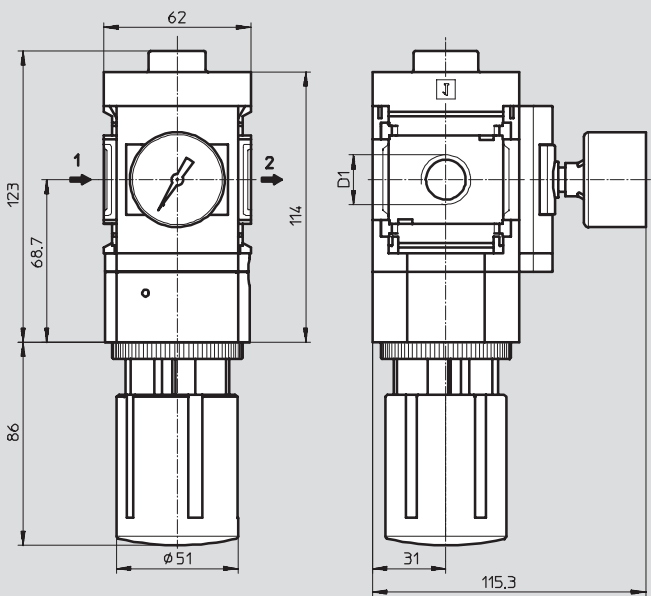
→ Durchflussrichtung

| Typ                 | D1   |
|---------------------|------|
| MS6-LRP-1/4-...-A8M | G1/4 |
| MS6-LRP-3/8-...-A8M | G3/8 |
| MS6-LRP-1/2-...-A8M | G1/2 |

## Abmessungen – Alternative Einbaulage

Drehknopf unten KD

Download CAD-Daten → [www.festo.com/de/engineering](http://www.festo.com/de/engineering)



→ Durchflussrichtung

| Typ                | D1   |
|--------------------|------|
| MS6-LRP-1/4-...-KD | G1/4 |
| MS6-LRP-3/8-...-KD | G3/8 |
| MS6-LRP-1/2-...-KD | G1/2 |

# Präzisions-Druckregelventile MS6-LRP, Baureihe MS

Datenblatt

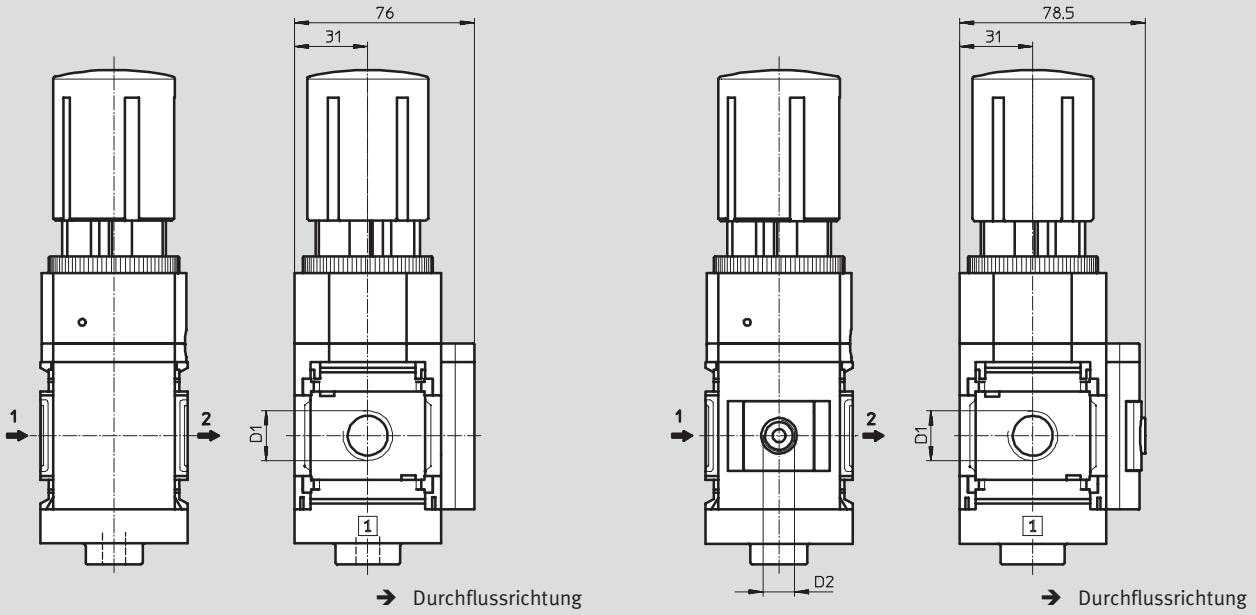
**FESTO**

**Abmessungen – Manometeralternativen**

Download CAD-Daten → [www.festo.com/de/engineering](http://www.festo.com/de/engineering)

Verschlussblende VS

Adapter A8/A4 für EN-Manometer 1/8/1/4, ohne Manometer



| Typ                | D1   | D2   |
|--------------------|------|------|
| MS6-LRP-1/4-...-VS | G1/4 | -    |
| MS6-LRP-3/8-...-VS | G3/8 |      |
| MS6-LRP-1/2-...-VS | G1/2 |      |
| MS6-LRP-1/4-...-A8 | G1/4 | G1/8 |
| MS6-LRP-3/8-...-A8 | G3/8 |      |
| MS6-LRP-1/2-...-A8 | G1/2 |      |
| MS6-LRP-1/4-...-A4 | G1/4 | G1/4 |
| MS6-LRP-3/8-...-A4 | G3/8 |      |
| MS6-LRP-1/2-...-A4 | G1/2 |      |

# Präzisions-Druckregelventile MS6-LRP, Baureihe MS

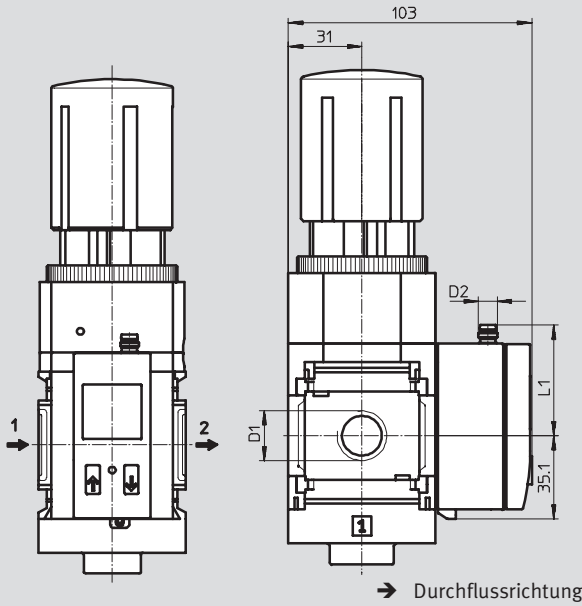
Datenblatt

## Abmessungen – Manometeralternativen

Download CAD-Daten → [www.festo.com/de/engineering](http://www.festo.com/de/engineering)

Drucksensor mit Anzeige AD1 ... AD4

Datenblätter SDE1 → [www.festo.com](http://www.festo.com)



Variante AD1:  
SDE1-D10-G2-MS-L-P1-M8 mit  
3-poligem Stecker M8x1,  
1 Schaltausgang PNP

Variante AD3:  
SDE1-D10-G2-MS-L-PI-M12 mit  
4-poligem Stecker M12x1,  
1 Schaltausgang PNP und  
4 ... 20 mA analog

Variante AD2:  
SDE1-D10-G2-MS-L-N1-M8 mit  
3-poligem Stecker M8x1,  
1 Schaltausgang NPN

Variante AD4:  
SDE1-D10-G2-MS-L-NI-M12 mit  
4-poligem Stecker M12x1,  
1 Schaltausgang NPN und  
4 ... 20 mA analog

| Typ                     | D1   | D2    | L1   |
|-------------------------|------|-------|------|
| MS6-LRP-1/4-...-AD1/AD2 | G1/4 | M8x1  | 46,7 |
| MS6-LRP-3/8-...-AD1/AD2 | G3/8 |       |      |
| MS6-LRP-1/2-...-AD1/AD2 | G1/2 |       |      |
| MS6-LRP-1/4-...-AD3/AD4 | G1/4 | M12x1 | 55,8 |
| MS6-LRP-3/8-...-AD3/AD4 | G3/8 |       |      |
| MS6-LRP-1/2-...-AD3/AD4 | G1/2 |       |      |

## Abmessungen – Drehknopf

Download CAD-Daten → [www.festo.com/de/engineering](http://www.festo.com/de/engineering)

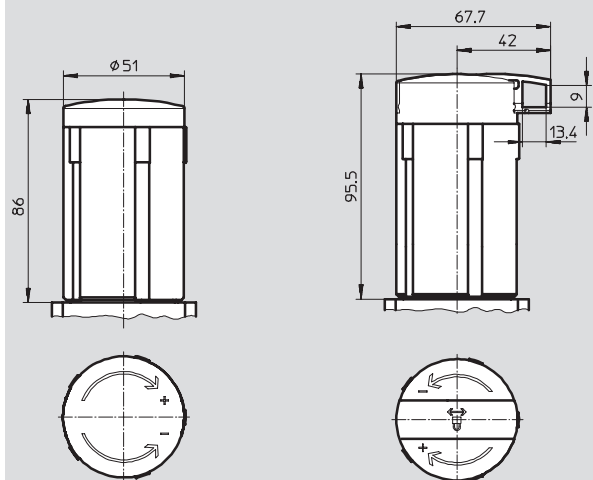
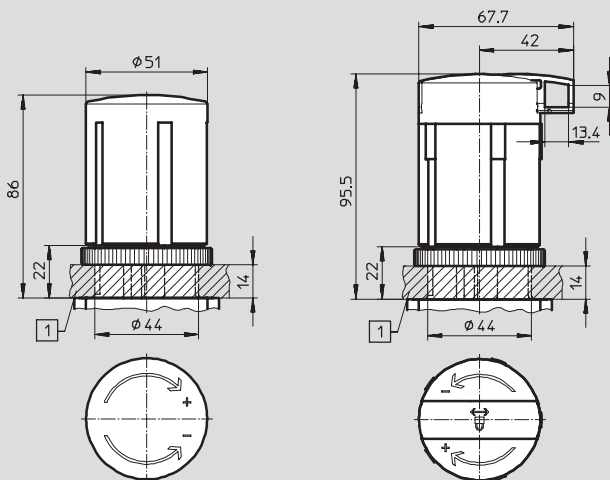
für Schalttafeleinbau

Standard

Standard, abschließbar AS

lang LD

lang, abschließbar LD-AS



1 Max. Schalttafelstärke



# Präzisions-Druckregelventile MS6-LRP, Baureihe MS

Datenblatt

| <b>Bestellangaben</b>                            |           |                |                                       |
|--|-----------|----------------|---------------------------------------|
| Adapter für EN-Manometer 1/8, Drehknopf Standard |           |                |                                       |
| Baugröße   | Anschluss | Teile-Nr.      | Typ                                   |
| <b>Druckregelbereich 0,05 ... 0,7 bar</b>        |           |                |                                       |
| MS6  | G1/4      | <b>538 004</b> | <b>MS6-LRP-1/4-D2-A8<sup>1)</sup></b> |
|  | G3/8      | <b>538 012</b> | <b>MS6-LRP-3/8-D2-A8<sup>1)</sup></b> |
|  | G1/2      | <b>538 020</b> | <b>MS6-LRP-1/2-D2-A8<sup>1)</sup></b> |
| <b>Druckregelbereich 0,05 ... 2,5 bar</b>        |           |                |                                       |
| MS6  | G1/4      | <b>538 006</b> | <b>MS6-LRP-1/4-D4-A8<sup>1)</sup></b> |
|  | G3/8      | <b>538 014</b> | <b>MS6-LRP-3/8-D4-A8<sup>1)</sup></b> |
|  | G1/2      | <b>538 022</b> | <b>MS6-LRP-1/2-D4-A8<sup>1)</sup></b> |
| <b>Druckregelbereich 0,1 ... 4 bar</b>           |           |                |                                       |
| MS6  | G1/4      | <b>538 008</b> | <b>MS6-LRP-1/4-D5-A8<sup>1)</sup></b> |
|  | G3/8      | <b>538 016</b> | <b>MS6-LRP-3/8-D5-A8<sup>1)</sup></b> |
|  | G1/2      | <b>538 024</b> | <b>MS6-LRP-1/2-D5-A8<sup>1)</sup></b> |
| <b>Druckregelbereich 0,1 ... 12 bar</b>          |           |                |                                       |
| MS6  | G1/4      | <b>538 010</b> | <b>MS6-LRP-1/4-D7-A8<sup>1)</sup></b> |
|  | G3/8      | <b>538 018</b> | <b>MS6-LRP-3/8-D7-A8<sup>1)</sup></b> |
|  | G1/2      | <b>538 026</b> | <b>MS6-LRP-1/2-D7-A8<sup>1)</sup></b> |

1) Kupfer- und PTFE-frei

# Präzisions-Druckregelventile MS6-LRP, Baureihe MS

Bestellangaben – Produktbaukasten

**M Mindestangaben** →

| Baukasten-Nr.          | Baureihe  | Baugröße | Funktion     | Anschlussgröße                    | Druckregelbereich    | Manometeralternativen                             |
|------------------------|-----------|----------|--------------|-----------------------------------|----------------------|---|
| 538 028                | MS        | 6        | LRP          | 1/4, 3/8, 1/2, AGB, AGC, AGD, AGE | D2<br>D4<br>D5<br>D7 | VS<br>A8<br>A8M<br>A4<br>AD1<br>AD2<br>AD3<br>AD4 |
| <b>Bestellbeispiel</b> |           |          |              |                                   |                      |   |
| <b>538 028</b>         | <b>MS</b> | <b>6</b> | <b>- LRP</b> | <b>- 1/2</b>                      | <b>- D4</b>          | <b>- A4</b>                                       |

| Bestelltabelle         |   | Bedingungen | Code        | Eintrag Code |
|------------------------|---|-------------|-------------|--------------|
| Rastermaß              | [mm] 62   |             |             |              |
| <b>M</b> Baukasten-Nr. | <b>538 028</b>  |             |             |              |
| Baureihe               | Standard  |             | <b>MS</b>   | MS           |
| Baugröße               | 6   |             | <b>6</b>    | 6            |
| Funktion               | Präzisions-Druckregelventil   |             | <b>-LRP</b> | -LRP         |
| Anschlussgröße         | Gewinde G1/4  |             | -1/4        |              |
|                        | Gewinde G3/8  |             | -3/8        |              |
|                        | Gewinde G1/2  |             | -1/2        |              |
|                        | Anschlussplatte G1/4  |             | <b>-AGB</b> |              |
|                        | Anschlussplatte G3/8  |             | <b>-AGC</b> |              |
|                        | Anschlussplatte G1/2  |             | <b>-AGD</b> |              |
|                        | Anschlussplatte G3/4  |             | <b>-AGE</b> |              |
| Druckregelbereich      | 0,05 ... 0,7 bar  |             | <b>-D2</b>  |              |
|                        | 0,05 ... 2,5 bar  |             | <b>-D4</b>  |              |
|                        | 0,1 ... 4 bar   |             | <b>-D5</b>  |              |
|                        | 0,1 ... 12 bar  |             | <b>-D7</b>  |              |
| Manometeralternativen  | Verschlussblende  |             | <b>-VS</b>  |              |
|                        | Adapter für EN-Manometer 1/8, ohne Manometer  |             | <b>-A8</b>  |              |
|                        | Adapter für EN-Manometer 1/8, mit Präzisionsmanometer   |             | <b>-A8M</b> |              |
|                        | Adapter für EN-Manometer 1/4, ohne Manometer  |             | <b>-A4</b>  |              |
|                        | Drucksensor mit Anzeige, Stecker M8, 1 Schaltausgang PNP, 3-polig                             | 1           | <b>-AD1</b> |              |
|                        | Drucksensor mit Anzeige, Stecker M8, 1 Schaltausgang NPN, 3-polig                             | 1           | <b>-AD2</b> |              |
|                        | Drucksensor mit Anzeige, Stecker M12, 1 Schaltausgang PNP, 4-polig, Analogausgang 4 ... 20 mA | 1           | <b>-AD3</b> |              |
|                        | Drucksensor mit Anzeige, Stecker M12, 1 Schaltausgang NPN, 4-polig, Analogausgang 4 ... 20 mA | 1           | <b>-AD4</b> |              |

1 AD1 ... AD4 Messbereich max. 10 bar

**Übertrag Bestellcode**

538 028 MS 6 - LRP - - -

# Präzisions-Druckregelventile MS6-LRP, Baureihe MS



Bestellangaben – Produktbaukasten

→ **Optionen**

| Drehknopfalternative | Alternative Einbaulage | Abschließbarkeit | Befestigungsart       | Alternative Durchflussrichtung |
|----------------------|------------------------|------------------|-----------------------|--------------------------------|
| LD                   | KD                     | AS               | WR<br>WP<br>WPM<br>WB | Z                              |
| - LD                 | -                      | - AS             | - WB                  | - Z                            |

| Bestelltable             |                                |   |                          |             |                 |
|--------------------------|--------------------------------|---|--------------------------|-------------|-----------------|
| Rastermaß                | [mm]                           | 62  | Bedin-<br>gungen         | Code        | Eintrag<br>Code |
| <input type="checkbox"/> | Drehknopfalternative           | langer Drehknopf  |                          | <b>-LD</b>  |                 |
|                          | Alternative Einbaulage         | Drehknopf unten   | <input type="checkbox"/> | <b>-KD</b>  |                 |
|                          | Abschließbarkeit               | abschließbarer Drehknopf  |                          | <b>-AS</b>  |                 |
|                          | Befestigungsart                | Befestigungswinkel mit Rändelmutter für Reglerkopf                          | <input type="checkbox"/> | <b>-WR</b>  |                 |
|                          |                                | Befestigungswinkel  | <input type="checkbox"/> | <b>-WP</b>  |                 |
|                          |                                | Befestigungswinkel  | <input type="checkbox"/> | <b>-WPM</b> |                 |
|                          |                                | Befestigungswinkel  | <input type="checkbox"/> | <b>-WB</b>  |                 |
|                          | Alternative Durchflussrichtung | Durchflussrichtung von rechts nach links (ohne Druckausgang kein Manometer) |                          | <b>-Z</b>   |                 |

**KD** Nicht mit Befestigungsart WP

**WR** Nicht mit Langem Drehknopf LD

**WP, WPM** Nur mit Anschlussplatte AGB, AGC, AGD oder AGE

**Übertrag Bestellcode**

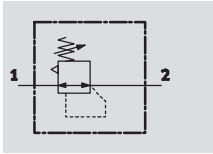
-  -  -  -  -

# Präzisions-Druckregelventile MS6-LRPB, Baureihe MS

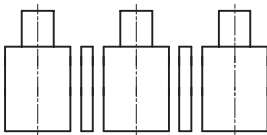
Datenblatt



## Funktion



LRPB-Batterie mit durchgehender Druckversorgung zur Batteriemontage



- - Durchfluss  
1 600 ... 5 000 l/min
- - Temperaturbereich  
-10 ... +60 °C
- - Eingangsdruck  
1 ... 14 bar
- - [www.festo.com/de/](http://www.festo.com/de/)  
Ersatzteilservice



Das Präzisions-Druckregelventil eignet sich für sensible Anwendungen mit einer geforderten Druckhysterese von 0,02 bar. Das Druckregelventil ist geeignet für Batteriemontage mit durchgeführter Versorgungsluft, zum Aufbau einer Reglerbatterie mit voneinander unabhängigen Druckregelbereichen. Der Druckausgang ist vorn oder hinten.

- Gute Regelcharakteristik mit kleiner Hysterese und Primärdruck-Kompensation
- Batteriemontage mit durchgeführter Versorgungsdruckluft
- Zum Aufbau einer Reglerbatterie mit voneinander unabhängigen Druckregelbereichen
- Sicherung der Einstellwerte durch Arretierung des Drehknopfes
- Abschließbarer Drehknopf (optional)
- Vier Druckregelbereiche: 0,05 ... 0,7 bar, 0,05 ... 2,5 bar, 0,1 ... 4 bar und 0,1 ... 12 bar
- Optionaler Drucksensor mit Anzeige

| Allgemeine Technische Daten           |          | MS6   |
|---------------------------------------|----------|---|
| Baugröße                              |          | MS6   |
| Pneumatischer Anschluss 1, 2          |          | G $\frac{1}{2}$   |
| Pneumatischer Anschluss 3             |          | G $\frac{1}{4}$<br>QS-8<br>QS-10  |
| Konstruktiver Aufbau                  |          | vorgesteuertes Präzisions-Membranregelventil mit durchgehender Druckversorgung  |
| Reglerfunktion                        |          | mit Sekundärentlüftung<br>Ausgangsdruck konstant  |
| Befestigungsart                       |          | mit Zubehör<br>Leitungseinbau<br>Fronttafeleinbau   |
| Einbaulage                            |          | beliebig  |
| Betätigungssicherung                  |          | Drehknopf mit Arretierung<br>mit Zubehör schließbar   |
| Druckregelbereich                     | D2 [bar] | 0,05 ... 0,7  |
|                                       | D4 [bar] | 0,05 ... 2,5  |
|                                       | D5 [bar] | 0,1 ... 4   |
|                                       | D7 [bar] | 0,1 ... 12 (0,1 ... 10 mit Variante Drucksensor AD...)  |
| Max. Druckhysterese [bar]             |          | 0,02  |
| Druckanzeige                          |          | mit Drucksensor für Anzeige Ausgangsdruck und elektrischem Ausgang<br>mit Manometer für Anzeige Ausgangsdruck<br>G $\frac{1}{8}$ vorbereitet<br>G $\frac{1}{4}$ vorbereitet |
| Durchfluss Sekundärentlüftung [l/min] |          | ≥ 220 bei Druckregelbereich D2  |
|                                       |          | ≥ 450 bei Druckregelbereich D4  |
|                                       |          | ≥ 650 bei Druckregelbereich D5  |
|                                       |          | ≥ 900 bei Druckregelbereich D7  |

# Präzisions-Druckregelventile MS6-LRPB, Baureihe MS

Datenblatt

| Normalnenndurchfluss qnN [l/min] |    |                     |
|----------------------------------|----|---------------------|
| Druckregelbereich                | D2 | 1 600 <sup>1)</sup> |
|                                  | D4 | 2 300 <sup>2)</sup> |
|                                  | D5 | 3 000 <sup>3)</sup> |
|                                  | D7 | 5 000 <sup>4)</sup> |

- 1) Gemessen bei p<sub>1</sub> = 10 bar und p<sub>2</sub> = 0,5 bar, Δp = 0,1 bar
- 2) Gemessen bei p<sub>1</sub> = 10 bar und p<sub>2</sub> = 1,5 bar, Δp = 0,1 bar
- 3) Gemessen bei p<sub>1</sub> = 10 bar und p<sub>2</sub> = 2,5 bar, Δp = 0,1 bar
- 4) Gemessen bei p<sub>1</sub> = 10 bar und p<sub>2</sub> = 6,0 bar, Δp = 0,1 bar

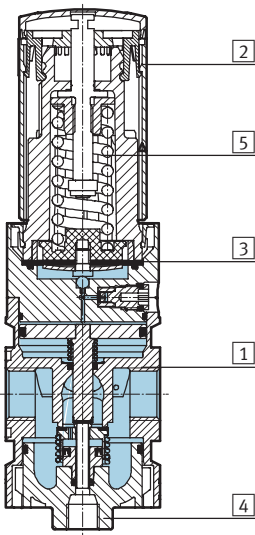
| Betriebs- und Umweltbedingungen           |  |                               |
|---|--|-------------------------------|
| Variante                                  | Standard   | Drucksensor mit Anzeige AD... |
| Eingangsdruck [bar]                       | 1 ... 14   | 1 ... 14                      |
| Betriebsmedium                            | gefilterte, nicht geölte Druckluft, Filterfeinheit 40 μm |                               |
| Umgebungstemperatur [°C]                  | -10 ... +60  | 0 ... +50                     |
| Mediumtemperatur [°C]                     | -10 ... +60  | 0 ... +50                     |
| Lagertemperatur [°C]                      | -10 ... +60  | -10 ... +60                   |
| Korrosionsbeständigkeit KBK <sup>1)</sup> | 2  |                               |

- 1) Korrosionsbeständigkeitsklasse 2 nach Festo Norm 940 070  
Bauteile mit mäßiger Korrosionsbeanspruchung. Außenliegende sichtbare Teile mit vorrangig dekorativer Anforderung an die Oberfläche, die im direkten Kontakt zur umgebenden industriellen Atmosphäre bzw. Medien, wie Kühl- und Schmierstoffe stehen.

| Gewichte [g]                |       |
|-----------------------------|-------|
| Präzisions-Druckregelventil | 1 000 |

## Werkstoffe

Funktionsschnitt



| Präzisions-Druckregelventil (Batteriemontage) |                  |   |
|---|------------------|---|
| 1   | Gehäuse          | Aluminium-Druckguss                                       |
| 2   | Reglerknopf      | Polyamid/Polyacetal                                       |
| 3   | Membran          | Nitrilkautschuk   |
| 4   | Deckel unten     | Polycarbonat  |
| 5   | Federn           | Stahl   |
| -   | Dichtungen       | Nitrilkautschuk   |
| -   | Werkstoffhinweis | Kupfer- und PTFE-frei (nicht mit Variante A8M oder AD...) |

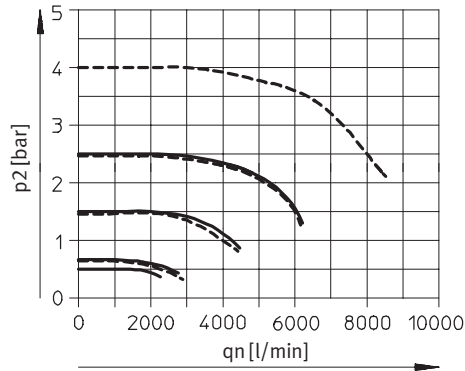
# Präzisions-Druckregelventile MS6-LRPB, Baureihe MS

Datenblatt

## Normaldurchfluss $q_n$ in Abhängigkeit vom Ausgangsdruck $p_2$

MS6-LRPB-1/2

Primärdruck  $p_1 = 10$  bar



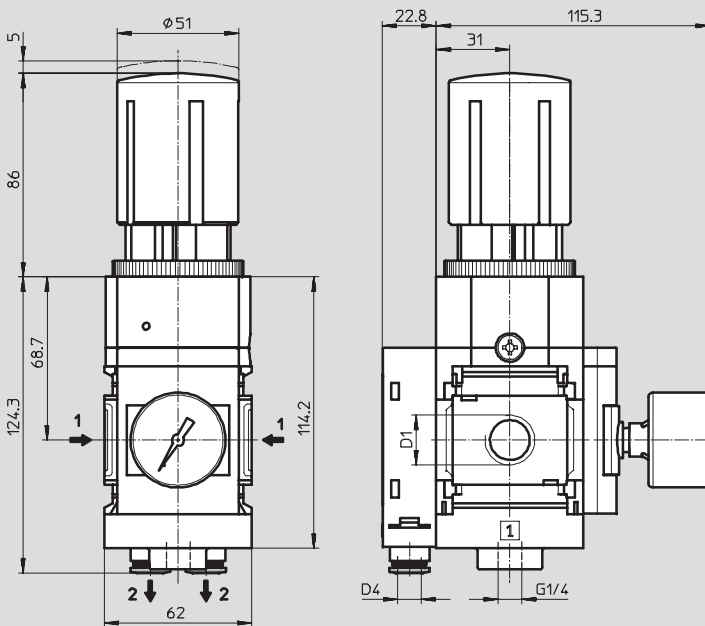
— D4: 0,05 ... 2,5 bar  
 - - - D5: 0,1 ... 4 bar

## Abmessungen

Download CAD-Daten → [www.festo.com/de/engineering](http://www.festo.com/de/engineering)

Adapter A8M für EN-Manometer 1/8, mit Präzisionsmanometer,  
 Winkelabgangsblock BD/BE

Datenblätter MAP → [www.festo.com](http://www.festo.com)



→ Durchflussrichtung

| Typ                     | D1   | D4    |
|-------------------------|------|-------|
| MS6-LRPB-1/2-...-A8M-BD | G1/2 | QS-8  |
| MS6-LRPB-1/2-...-A8M-BE |      | QS-10 |

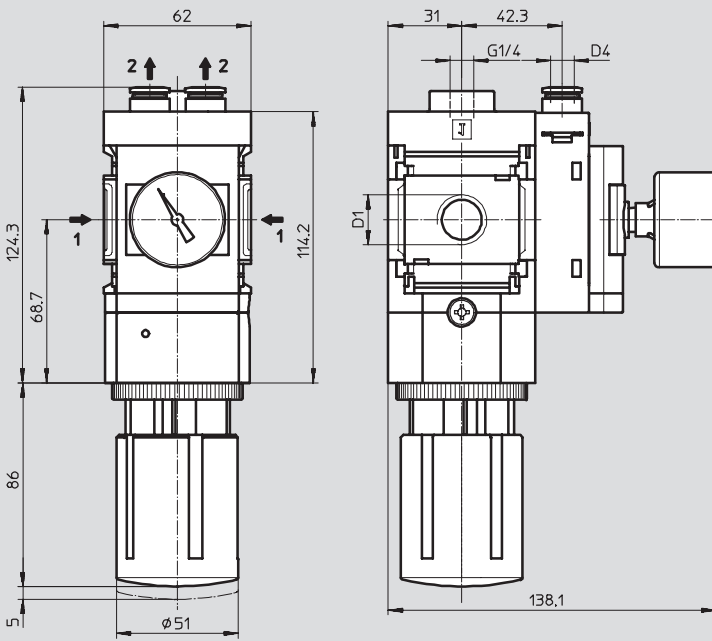
# Präzisions-Druckregelventile MS6-LRPB, Baureihe MS

Datenblatt

## Abmessungen – Alternative Einbaulage

Download CAD-Daten → [www.festo.com/de/engineering](http://www.festo.com/de/engineering)

Drehknopf unten KD, Winkelabgangsblock BD/BE



→ Durchflussrichtung

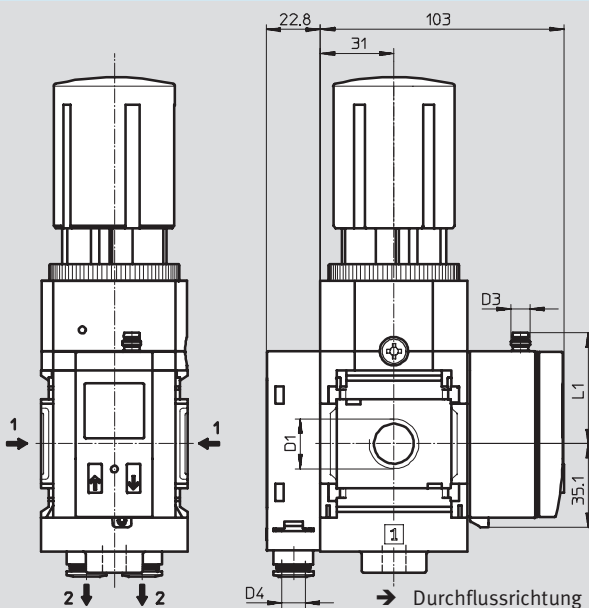
| Typ                    | D1   | D4    |
|------------------------|------|-------|
| MS6-LRPB-1/2-...-KD-BD | G1/2 | QS-8  |
| MS6-LRPB-1/2-...-KD-BE |      | QS-10 |

## Abmessungen – Manometeralternativen

Download CAD-Daten → [www.festo.com/de/engineering](http://www.festo.com/de/engineering)

Drucksensor mit Anzeige AD1 ... AD4, Winkelabgangsblock BD/BE

Datenblätter SDE1 → [www.festo.com](http://www.festo.com)



Variante AD1:  
SDE1-D10-G2-MS-L-P1-M8 mit  
3-poligem Stecker M8x1,  
1 Schaltausgang PNP

Variante AD3:  
SDE1-D10-G2-MS-L-PI-M12 mit  
4-poligem Stecker M12x1,  
1 Schaltausgang PNP und  
4 ... 20 mA analog

Variante AD2:  
SDE1-D10-G2-MS-L-N1-M8 mit  
3-poligem Stecker M8x1,  
1 Schaltausgang NPN

Variante AD4:  
SDE1-D10-G2-MS-L-NI-M12 mit  
4-poligem Stecker M12x1,  
1 Schaltausgang NPN und  
4 ... 20 mA analog

| Typ                         | D1   | D3    | D4    | L1   |
|-----------------------------|------|-------|-------|------|
| MS6-LRPB-1/2-...-AD1/AD2-BD | G1/2 | M8x1  | QS-8  | 46,7 |
| MS6-LRPB-1/2-...-AD1/AD2-BE |      |       | QS-10 |      |
| MS6-LRPB-1/2-...-AD3/AD4-BD | G1/2 | M12x1 | QS-8  | 55,8 |
| MS6-LRPB-1/2-...-AD3/AD4-BE |      |       | QS-10 |      |

# Präzisions-Druckregelventile MS6-LRPB, Baureihe MS

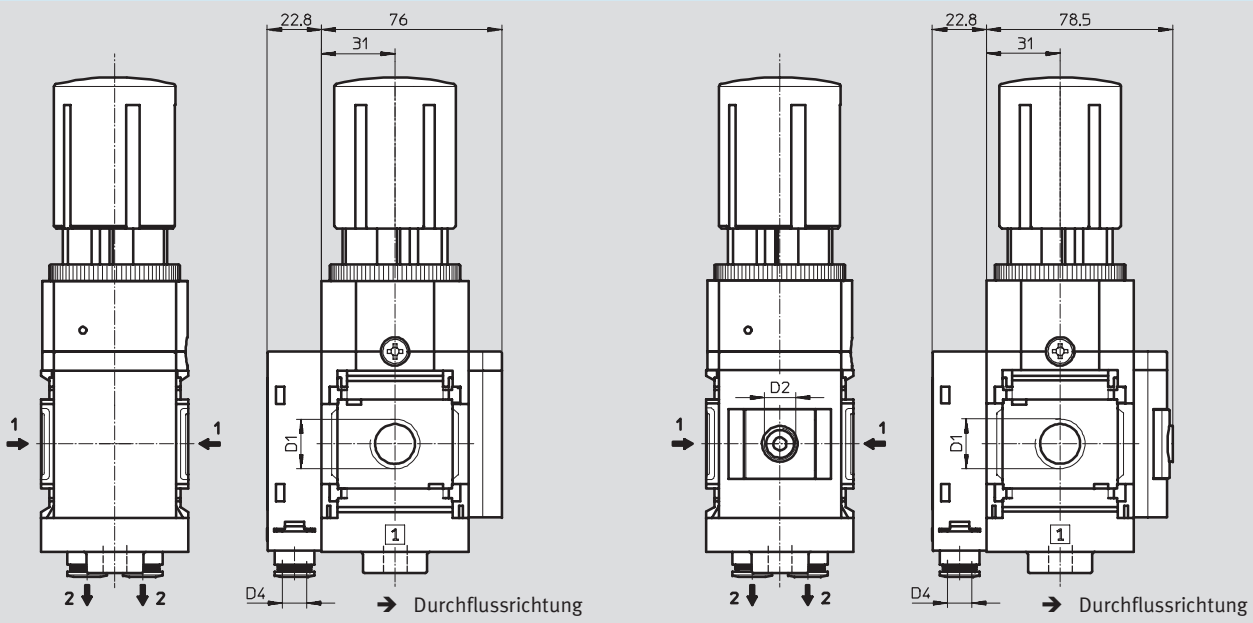
Datenblatt

## Abmessungen – Manometeralternativen

Verschlussblende VS, Winkelabgangsblock BD/BE

Download CAD-Daten → [www.festo.com/de/engineering](http://www.festo.com/de/engineering)

Adapter A8/A4 für EN-Manometer 1/8/1/4, ohne Manometer, Winkelabgangsblock BD/BE

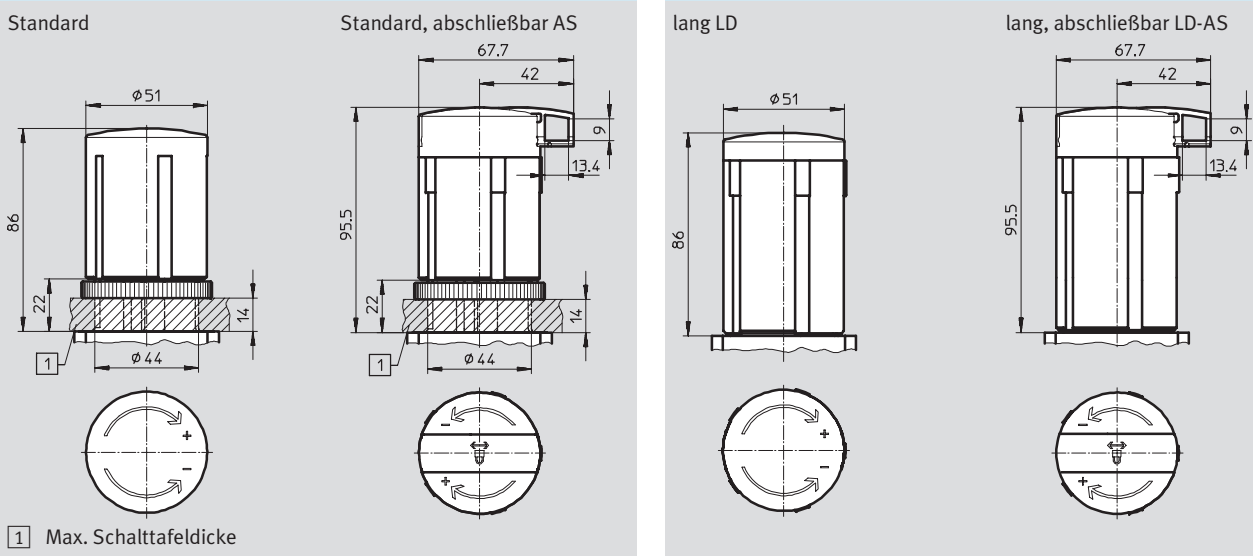


| Typ                    | D1   | D2   | D4    |
|------------------------|------|------|-------|
| MS6-LRPB-1/2-...-VS-BD | G1/2 | -    | QS-8  |
| MS6-LRPB-1/2-...-VS-BE |      |      | QS-10 |
| MS6-LRPB-1/2-...-A8-BD | G1/2 | G1/8 | QS-8  |
| MS6-LRPB-1/2-...-A8-BE |      |      | QS-10 |
| MS6-LRPB-1/2-...-A4-BD | G1/2 | G1/4 | QS-8  |
| MS6-LRPB-1/2-...-A4-BE |      |      | QS-10 |

## Abmessungen – Drehknopf

für Schalttafeleinbau

Download CAD-Daten → [www.festo.com/de/engineering](http://www.festo.com/de/engineering)





# Präzisions-Druckregelventile MS6-LRPB, Baureihe MS

Datenblatt

| Bestellangaben                                      |           |   |
|---|-----------|---|
| Adapter A8 für EN-Manometer 1/8, Drehknopf Standard |           |   |
| Baugröße  | Anschluss | Druckausgang hinten ohne Winkelabgangsblock |
|   |           | Teile-Nr. Typ                               |
| Druckregelbereich 0,05 ... 0,7 bar                  |           |   |
| MS6   | G1/2      | 534 911 MS6-LRPB-1/2-D2-A8 <sup>1)</sup>    |
| Druckregelbereich 0,05 ... 2,5 bar                  |           |   |
| MS6   | G1/2      | 534 914 MS6-LRPB-1/2-D4-A8 <sup>1)</sup>    |
| Druckregelbereich 0,1 ... 4 bar                     |           |   |
| MS6   | G1/2      | 534 917 MS6-LRPB-1/2-D5-A8 <sup>1)</sup>    |
| Druckregelbereich 0,1 ... 12 bar                    |           |   |
| MS6   | G1/2      | 534 920 MS6-LRPB-1/2-D7-A8 <sup>1)</sup>    |

1) Kupfer- und PTFE-frei

| Bestellangaben                                      |           |   |   |
|---|-----------|---|---|
| Adapter A8 für EN-Manometer 1/8, Drehknopf Standard |           |   |   |
| Baugröße  | Anschluss | Druckausgang hinten mit Winkelabgangsblock  | Druckausgang hinten mit Winkelabgangsblock  |
|   |           | QS-8  | QS-10                                       |
|   |           | Teile-Nr. Typ                               | Teile-Nr. Typ                               |
| Druckregelbereich 0,05 ... 0,7 bar                  |           |   |   |
| MS6   | G1/2      | 534 865 MS6-LRPB-1/2-D2-A8-BD <sup>1)</sup> | 534 913 MS6-LRPB-1/2-D2-A8-BE <sup>1)</sup> |
| Druckregelbereich 0,05 ... 2,5 bar                  |           |   |   |
| MS6   | G1/2      | 534 868 MS6-LRPB-1/2-D4-A8-BD <sup>1)</sup> | 534 916 MS6-LRPB-1/2-D4-A8-BE <sup>1)</sup> |
| Druckregelbereich 0,1 ... 4 bar                     |           |   |   |
| MS6   | G1/2      | 534 871 MS6-LRPB-1/2-D5-A8-BD <sup>1)</sup> | 534 919 MS6-LRPB-1/2-D5-A8-BE <sup>1)</sup> |
| Druckregelbereich 0,1 ... 12 bar                    |           |   |   |
| MS6   | G1/2      | 534 874 MS6-LRPB-1/2-D7-A8-BD <sup>1)</sup> | 534 922 MS6-LRPB-1/2-D7-A8-BE <sup>1)</sup> |

1) Kupfer- und PTFE-frei

# Präzisions-Druckregelventile MS6-LRPB, Baureihe MS



Bestellangaben – Produktbaukasten

**M** **Mindestangaben** →

| Baukasten-Nr.          | Baureihe  | Baugröße | Funktion      | Anschlussgröße             | Druckregelbereich    | Manometeralternativen                             |
|------------------------|-----------|----------|---------------|----------------------------|----------------------|---|
| 535 007                | MS        | 6        | LRPB          | 1/2,<br>AGB, AGC, AGD, AGE | D2<br>D4<br>D5<br>D7 | VS<br>A8<br>A8M<br>A4<br>AD1<br>AD2<br>AD3<br>AD4 |
| <b>Bestellbeispiel</b> |           |          |               |                            |                      |   |
| <b>535 007</b>         | <b>MS</b> | <b>6</b> | <b>- LRPB</b> | <b>- AGB</b>               | <b>- D5</b>          | <b>- VS</b>                                       |

| Bestelltabelle         |   | Bedingungen | Code         | Eintrag Code |
|------------------------|---|-------------|--------------|--------------|
| Rastermaß              | [mm] 62   |             |              |              |
| <b>M</b> Baukasten-Nr. | <b>535 007</b>  |             |              |              |
| Baureihe               | Standard  |             | <b>MS</b>    | MS           |
| Baugröße               | 6   |             | <b>6</b>     | 6            |
| Funktion               | Präzisions-Druckregelventil für Batteriemontage   |             | <b>-LRPB</b> | -LRPB        |
| Anschlussgröße         | Gewinde G1/2  |             | -1/2         |              |
|                        | Anschlussplatte G1/4  |             | <b>-AGB</b>  |              |
|                        | Anschlussplatte G3/8  |             | <b>-AGC</b>  |              |
|                        | Anschlussplatte G1/2  |             | <b>-AGD</b>  |              |
|                        | Anschlussplatte G3/4  |             | <b>-AGE</b>  |              |
| Druckregelbereich      | 0,05 ... 0,7 bar  |             | <b>-D2</b>   |              |
|                        | 0,05 ... 2,5 bar  |             | <b>-D4</b>   |              |
|                        | 0,1 ... 4 bar   |             | <b>-D5</b>   |              |
|                        | 0,1 ... 12 bar  |             | <b>-D7</b>   |              |
| Manometeralternativen  | Verschlussblende  | 1           | <b>-VS</b>   |              |
|                        | Adapter für EN-Manometer 1/8, ohne Manometer  | 2           | <b>-A8</b>   |              |
|                        | Adapter für EN-Manometer 1/8, mit Präzisionsmanometer   | 2           | <b>-A8M</b>  |              |
|                        | Adapter für EN-Manometer 1/4, ohne Manometer  | 2           | <b>-A4</b>   |              |
|                        | Drucksensor mit Anzeige, Stecker M8, 1 Schaltausgang PNP, 3-polig                             | 2 3         | <b>-AD1</b>  |              |
|                        | Drucksensor mit Anzeige, Stecker M8, 1 Schaltausgang NPN, 3-polig                             | 2 3         | <b>-AD2</b>  |              |
|                        | Drucksensor mit Anzeige, Stecker M12, 1 Schaltausgang PNP, 4-polig, Analogausgang 4 ... 20 mA | 2 3         | <b>-AD3</b>  |              |
|                        | Drucksensor mit Anzeige, Stecker M12, 1 Schaltausgang NPN, 4-polig, Analogausgang 4 ... 20 mA | 2 3         | <b>-AD4</b>  |              |

- 1 **VS** Muss gewählt werden bei Alternativer Durchflussrichtung Z ohne Alternative Einbaulage KD oder ohne Alternativen Druckausgang BD, BE.  
 Muss gewählt werden bei Alternative Einbaulage KD ohne Alternative Durchflussrichtung Z oder ohne Alternativen Druckausgang BD, BE
- 2 **A8, A8M, A4, AD1 ... AD4** In Kombination mit Alternativer Durchflussrichtung Z nur mit Alternativer Einbaulage KD
- 3 **AD1 ... AD4** Messbereich max. 10 bar

**Übertrag Bestellcode**

- 
  - 
  - 
  - 
  - 
  -

# Präzisions-Druckregelventile MS6-LRPB, Baureihe MS

Bestellangaben – Produktbaukasten

→ **0 Optionen**

| Drehknopf-alternative | Alternative Einbaulage | Abschließbarkeit | Alternativer Druckausgang | Befestigungsart              | Alternative Durchflussrichtung |
|-----------------------|------------------------|------------------|---------------------------|------------------------------|--------------------------------|
| LD                    | KD                     | AS               | BD<br>BE                  | WR<br>WP<br>WPM<br>WPB<br>WB | Z                              |
| - <b>LD</b>           | -                      | - <b>AS</b>      | - <b>BE</b>               | - <b>WB</b>                  | - <b>Z</b>                     |

| Bestelltable                   |   | Bedin-<br>gungen | Code        | Eintrag<br>Code |
|--------------------------------|---|------------------|-------------|-----------------|
| Rastermaß                      | [mm] 62   |                  |             |                 |
| <b>0</b> Drehknopfalternative  | langer Drehknopf  |                  | <b>-LD</b>  |                 |
| Alternative Einbaulage         | Drehknopf unten   | <b>4</b>         | <b>-KD</b>  |                 |
| Abschließbarkeit               | abschließbarer Drehknopf                                    |                  | <b>-AS</b>  |                 |
| Alternativer Druckausgang      | Winkelabgangsblock QS-8                                     |                  | <b>-BD</b>  |                 |
|                                | Winkelabgangsblock QS-10                                    |                  | <b>-BE</b>  |                 |
| Befestigungsart                | Befestigungswinkel mit Rändelmutter für Reglerkopf          | <b>6</b>         | <b>-WR</b>  |                 |
|                                | Befestigungswinkel  | <b>7 8</b>       | <b>-WP</b>  |                 |
|                                | Befestigungswinkel  | <b>5 7</b>       | <b>-WPM</b> |                 |
|                                | Befestigungswinkel für großen Wandabstand                   | <b>7 9</b>       | <b>-WPB</b> |                 |
|                                | Befestigungswinkel  | <b>5</b>         | <b>-WB</b>  |                 |
| Alternative Durchflussrichtung | Durchflussrichtung vorne (ohne Druckausgang kein Manometer) |                  | <b>-Z</b>   |                 |

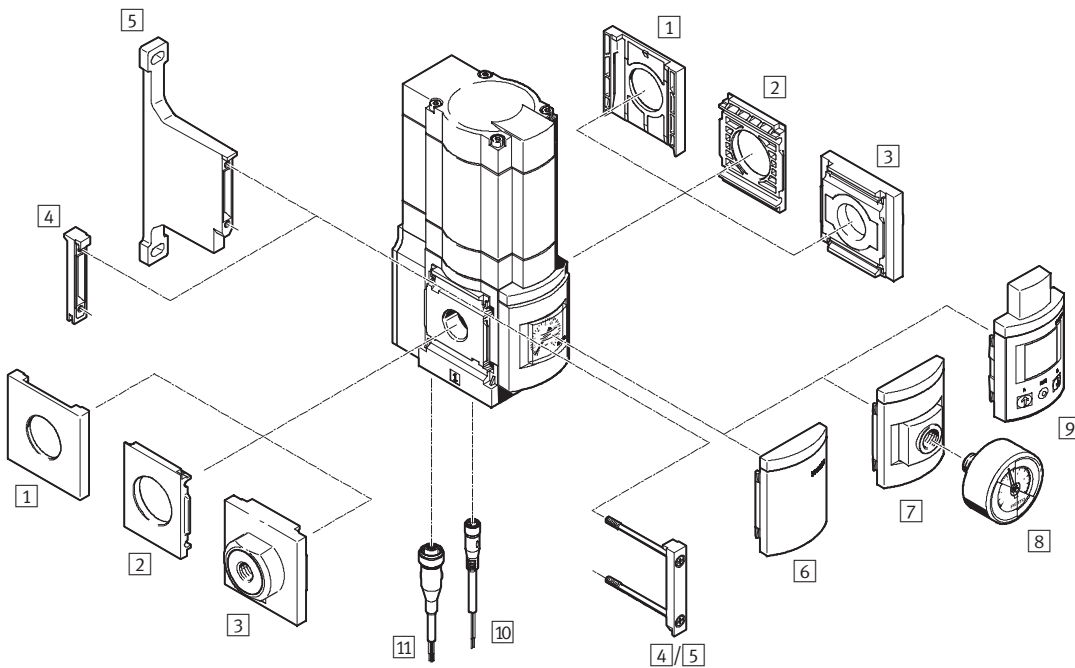
- |                         |  |                              |   |
|-------------------------|--|------------------------------|---|
| <b>4</b> <b>KD</b>      | In Kombination mit Manometeralternativen A8, A4, AD1, AD2, AD3, AD4 nur mit Alternativer Durchflussrichtung Z        | <b>7</b> <b>WP, WPM, WPB</b> | Nur mit Anschlussplatte AGB, AGC, AGD oder AGE  |
| <b>5</b> <b>WPM, WB</b> | Entweder nur mit Alternativer Durchflussrichtung Z oder nur mit Alternativer Einbaulage KD                           | <b>8</b> <b>WP</b>           | Nicht mit Alternativer Einbaulage KD.   |
| <b>6</b> <b>WR</b>      | Nur mit Alternativer Durchflussrichtung Z.<br>Nicht mit Langem Drehknopf LD.<br>Nicht mit Alternativer Einbaulage KD | <b>9</b> <b>WPB</b>          | Entweder nur mit Alternativer Durchflussrichtung Z oder nur mit Alternativem Druckausgang BD, BE<br>Nicht mit Alternativer Einbaulage KD.<br>Nicht mit Alternativem Druckausgang BD, BE,<br>Nicht mit Alternativer Durchflussrichtung Z |

**Übertrag Bestellcode**

-  -  -  -  -  -

# Elektrik-Druckregelventile MS6-LRE, Baureihe MS

Peripherieübersicht



|    | Befestigungselemente und Zubehör |                     |                      |                     | → Seite         |       |
|----|----------------------------------|---------------------|----------------------|---------------------|-----------------|-------|
|    | Einzelgerät                      |                     | Kombination → 2-0    |                     |                 |       |
|    | ohne Anschlussplatte             | mit Anschlussplatte | ohne Anschlussplatte | mit Anschlussplatte |                 |       |
| 1  | Abdeckkappe MS6-END              | -                   | -                    | ■                   | -               | 11-3  |
| 2  | Befestigungsplatte MS6-AEND      | ■ <sup>1)</sup>     | -                    | ■ <sup>2)</sup>     | -               | 11-3  |
| 3  | Anschlussplatte MS6-AG...        | -                   | ■ <sup>1)</sup>      | -                   | ■ <sup>2)</sup> | 11-2  |
| 4  | Modulverbinder MS6-MV            | -                   | -                    | ■                   | ■               | 11-9  |
| 5  | Befestigungswinkel MS6-WPB       | ■                   | ■                    | ■                   | ■               | 11-7  |
| 6  | Verschlussblende VS              | ■                   | ■                    | ■                   | ■               | 5-54  |
| 7  | Adapter für EN-Manometer 1/4 A4  | ■                   | ■                    | ■                   | ■               | 5-54  |
| 8  | Manometer MA                     | ■                   | ■                    | ■                   | ■               | 11-10 |
| 9  | Bediengerät mit Display OP       | ■                   | ■                    | ■                   | ■               | 5-54  |
| 10 | Steckdosenkabel SIM-M8-3...      | ■                   | ■                    | ■                   | ■               | 11-10 |
| 11 | Steckdosenkabel SIM-M12-5...     | ■                   | ■                    | ■                   | ■               | 11-10 |

1) Zur Montage wird Befestigungswinkel MS6-WPB benötigt.  
 2) Zur Montage wird Modulverbinder MS6-MV oder Befestigungswinkel MS6-WPB benötigt.

# Elektrik-Druckregelventile MS6-LRE, Baureihe MS

**FESTO**

Typenschlüssel

MS 6 - LRE - 1/2 - D7 - PI

### Baureihe

|    |                          |
|----|--------------------------|
| MS | Wartungseinheit Standard |
|----|--------------------------|

### Baugröße

|   |                 |
|---|-----------------|
| 6 | Rastermaß 62 mm |
|---|-----------------|

### Wartungsfunktion

|     |                           |
|-----|---------------------------|
| LRE | Elektrik-Druckregelventil |
|-----|---------------------------|

### Pneumatischer Anschluss

|     |              |
|-----|--------------|
| 1/4 | Gewinde G1/4 |
| 3/8 | Gewinde G3/8 |
| 1/2 | Gewinde G1/2 |

### Druckregelbereich

|    |                                  |
|----|----------------------------------|
| D6 | Druckregelbereich 0,3 ... 7 bar  |
| D7 | Druckregelbereich 0,5 ... 12 bar |

### Elektrischer Druckausgang (Integrierter Drucksensor mit elektrischem Ausgang)

|    |                             |
|----|-----------------------------|
|    | ohne                        |
| PI | Stecker, M8, 3-polig, I out |
| PU | Stecker, M8, 3-polig, U out |

### Weitere Varianten können Sie über den Produktbaukasten bestellen

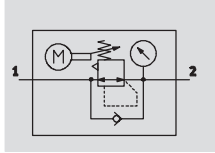
Elektrik-Druckregelventil LRE → 5-54

- Anschlussplatten
- Druckregelbereich
- Manometeralternativen
- Alternative Manometerskalierung
- Sekundärentlüftung
- Sensorkabel
- Versorgungskabel
- Befestigungsart
- Alternative Durchflussrichtung

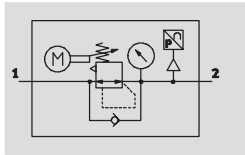
# Elektrik-Druckregelventile MS6-LRE, Baureihe MS




Datenblatt

Funktion  
mit Manometer

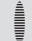


mit Manometer und integriertem  
Drucksensor



-  - Durchfluss  
2 200 ... 7 500 l/min
-  - Temperaturbereich  
0 ... +50 °C
-  - Eingangsdruck  
0,8 ... 20 bar



-  - Hinweis

Das Elektrik-Druckregelventil eignet sich nicht zum Aufbau von elektrischen Regelkreisen.

Das Elektrik-Druckregelventil regelt eingehende Druckluft auf den eingestellten Ausgangsdruck. Dabei hält das Elektrik-Druckregelventil den Ausgangsdruck weitgehend konstant, unabhängig von Druckschwankungen im Netz und vom Luftverbrauch.

Mit der integrierten elektrischen Antriebseinheit wird der Ausgangsdruck indirekt eingestellt. Die Steuerung der Antriebseinheit ist entweder über die digitalen Eingänge am M12-Stecker

oder über das optional erhältliche Bediengerät möglich.

Dadurch wird die Drehrichtung der Antriebseinheit vorgegeben, was ein Verstellen des Ausgangsdrucks entweder in steigender oder fallender Richtung ermöglicht.

Bei Stromausfall bleibt die letzte Einstellung der Antriebseinheit bzw. des Ausgangsdrucks gespeichert. Die pneumatische Druckregelung funktioniert weiterhin.

- Vier Druckregelbereiche: 0,3 ... 4 bar, 0,3 ... 7 bar, 0,5 ... 12 bar und 0,5 ... 16 bar
- Optionales Bediengerät mit Display
- Optionaler integrierter Drucksensor mit elektrischem Ausgang
- Konstanter Ausgangsdruck, auch bei Stromausfall durch Fail Safe Funktion
- Mit oder ohne Sekundärentlüftung lieferbar

| Allgemeine Technische Daten  |          |   |                                   |
|------------------------------|----------|---|-----------------------------------|
| Baugröße                     |          | MS6                                       |                                   |
| Pneumatischer Anschluss 1, 2 |          | G $\frac{1}{4}$                           | G $\frac{3}{8}$   G $\frac{1}{2}$ |
| Konstruktiver Aufbau         |          | elektrisch verstellbares Druckregelventil |                                   |
| Reglerfunktion               |          | mit Vordruckkompensation                  |                                   |
|                              |          | mit/ohne Sekundärentlüftung               |                                   |
|                              |          | Ausgangsdruck konstant                    |                                   |
| Befestigungsart              |          | mit Zubehör                               |                                   |
|                              |          | Leitungseinbau                            |                                   |
| Einbaulage                   |          | beliebig, vorzugsweise senkrecht          |                                   |
| Druckregelbereich            | D5 [bar] | 0,3 ... 4                                 |                                   |
|                              | D6 [bar] | 0,3 ... 7                                 |                                   |
|                              | D7 [bar] | 0,5 ... 12                                |                                   |
|                              | D8 [bar] | 0,5 ... 16                                |                                   |
| Max. Druckhysterese          | [bar]    | 0,25                                      |                                   |
| Druckanzeige                 |          | mit Manometer                             |                                   |
|                              |          | mit Bediengerät                           |                                   |

# Elektrik-Druckregelventile MS6-LRE, Baureihe MS

**FESTO**

Datenblatt

| Normalnenndurchfluss $q_{nN}^{1)}$ [l/min] |    |                     |                     |                     |
|--|----|---------------------|---------------------|---------------------|
| Pneumatischer Anschluss                    |    | G $\frac{1}{4}$     | G $\frac{3}{8}$     | G $\frac{1}{2}$     |
| Druckregelbereich                          | D5 | 2 400 <sup>2)</sup> | 5 500 <sup>2)</sup> | 7 500 <sup>2)</sup> |
|  | D6 | 3 000               | 5 800               | 6 500               |
|  | D7 | 2 700               | 4 500               | 5 500               |
|  | D8 | 2 200               | 4 000               | 4 500               |

- 1) Gemessen bei  $p_1 = 10$  bar und  $p_2 = 6$  bar,  $\Delta p = 1$  bar  
 2) Gemessen bei  $p_1 = 10$  bar und  $p_2 = 3$  bar,  $\Delta p = 1$  bar

| Elektrische Daten                                |          |  |                       |                              |            |
|--|----------|--|-----------------------|------------------------------|------------|
|  |          | ohne integriertem Drucksensor                |                       | mit integriertem Drucksensor |            |
|  |          |  |                       | PI (I out)                   | PU (U out) |
| Analogausgang                                    | [V]      | –  |                       | –                            | 0 ... 10   |
|  | [mA]     | –  |                       | 4 ... 20                     | –          |
| Analoge Ausgänge, absolute Genauigkeit bei 25 °C |          | [%]  | –                     | ±3                           | ±3         |
| Kabelschnittstelle                               | Eingänge | Stecker M12x1, 5-polig                       |                       |                              |            |
|  | Ausgänge | –  | Stecker M8x1, 3-polig |                              |            |
| Ausführung Eingänge                              |          | nach IEC 61131-2, keine galvanische Trennung |                       |                              |            |
| Nennbetriebsspannung                             |          | [V DC]                                       | 24                    |                              |            |
| Zulässige Spannungsschwankungen                  |          | [%]  | ±10                   |                              |            |
| Stromaufnahme bei 24 V DC                        |          | [A]  | max. 3,5              |                              |            |
| Stromaufnahme bei Nennbetriebsspannung           |          | [A]  | max. 1                |                              |            |
| Ansteuerdauer bei 25 °C                          |          | [s]  | max. 90 <sup>1)</sup> |                              |            |
| Kurzschlussfestigkeit                            |          | für alle elektrischen Anschlüsse             |                       |                              |            |
| Schutzart  |          | IP65   |                       |                              |            |

- 1) Um eine Überhitzung des Antriebs zu vermeiden, muss ein Ansteuerdauer:Pause-Verhältnis von 1:3 eingehalten werden.

| Betriebs- und Umweltbedingungen          |                   |  |
|--|-------------------|--|
| Eingangsdruck                            | [bar]             | 0,8 ... 20   |
| Betriebsmedium                           |                   | Druckluft, Luftqualitätsklasse 5.4.– nach DIN ISO 8573-1 |
| Umgebungstemperatur                      | [°C]              | 0 ... +50  |
| Mediumtemperatur                         | [°C]              | 0 ... +50  |
| Lagertemperatur                          | [°C]              | 0 ... +50  |
| Korrosionsbeständigkeit                  | KBK <sup>1)</sup> | 2  |
| CE-Zeichen (siehe Konformitätserklärung) |                   | nach EU-EMV-Richtlinie                                   |

- 1) Korrosionsbeständigkeitsklasse 2 nach Festo Norm 940 070  
 Bauteile mit mäßiger Korrosionsbeanspruchung. Außenliegende sichtbare Teile mit vorrangig dekorativer Anforderung an die Oberfläche, die im direkten Kontakt zur umgebenden industriellen Atmosphäre bzw. Medien, wie Kühl- und Schmierstoffe stehen.

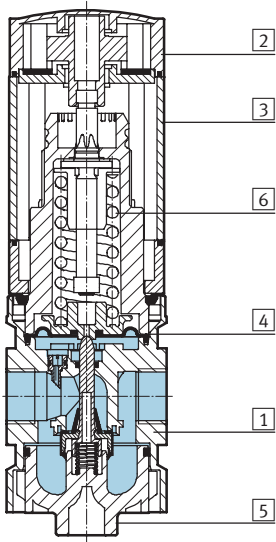
| Gewichte [g]              |       |
|---------------------------|-------|
| Elektrik-Druckregelventil | 1 280 |

# Elektrik-Druckregelventile MS6-LRE, Baureihe MS

Datenblatt

## Werkstoffe

Funktionsschnitt



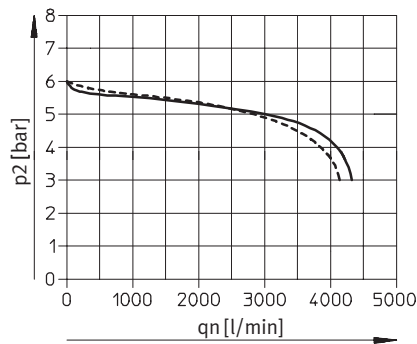
### Elektrik-Druckregelventil

|   |                 |                               |
|---|-----------------|-------------------------------|
| 1 | Gehäuse         | Aluminium-Druckguss           |
| 2 | Antriebsgehäuse | Polyamid, verstärkt           |
| 3 | Profilgehäuse   | Aluminium-Knetlegierung       |
| 4 | Membrane        | Nitrilkautschuk               |
| 5 | Deckel unten    | Polyester, glasfaserverstärkt |
| 6 | Federn          | Stahl                         |
| - | Bediengerät     | Polyamid                      |
| - | Dichtungen      | Nitrilkautschuk               |

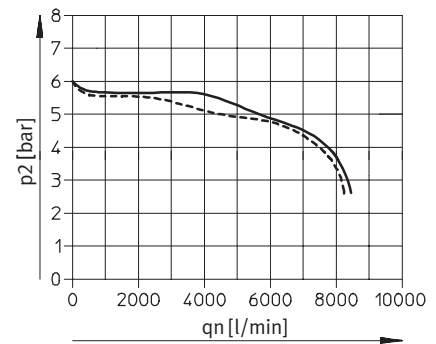
## Normaldurchfluss $q_n$ in Abhängigkeit vom Ausgangsdruck $p_2$

MS6-LRE-1/4

Primärdruck  $p_1 = 10$  bar

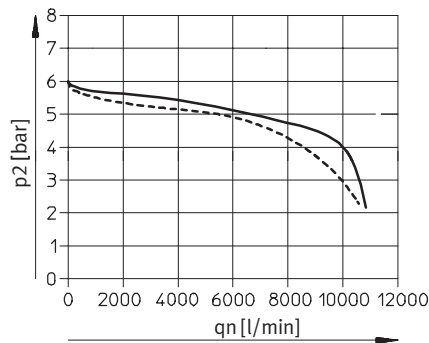


MS6-LRE-3/8



MS6-LRE-1/2

Primärdruck  $p_1 = 10$  bar



— D6: 0,3 ... 7 bar  
 - - - D7: 0,5 ... 12 bar

— D6: 0,3 ... 7 bar  
 - - - D7: 0,5 ... 12 bar



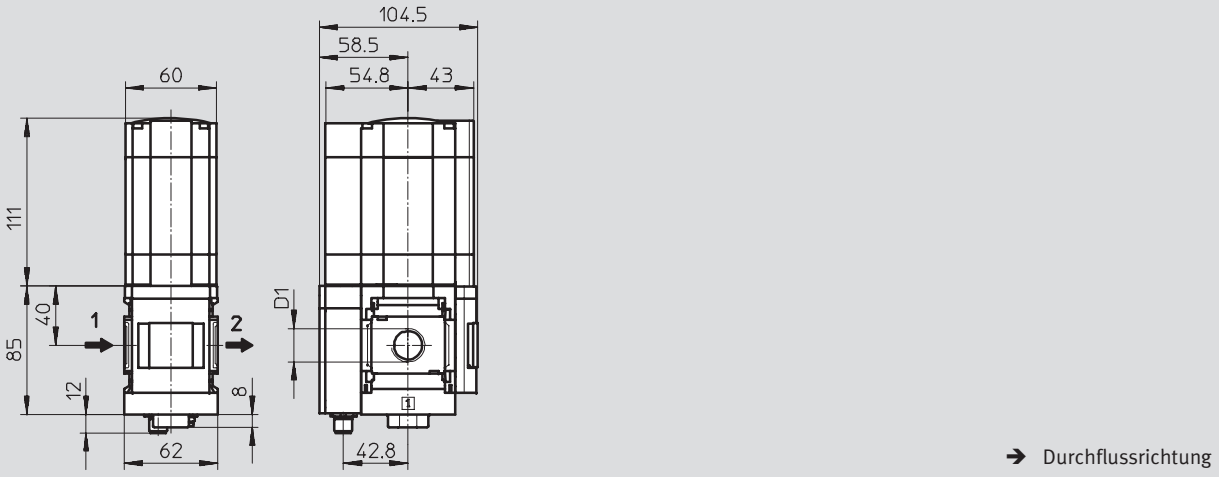
# Elektrik-Druckregelventile MS6-LRE, Baureihe MS

Datenblatt

## Abmessungen – Standard

Download CAD-Daten → [www.festo.com/de/engineering](http://www.festo.com/de/engineering)

mit Manometer, Anzeigeeinheit [bar]



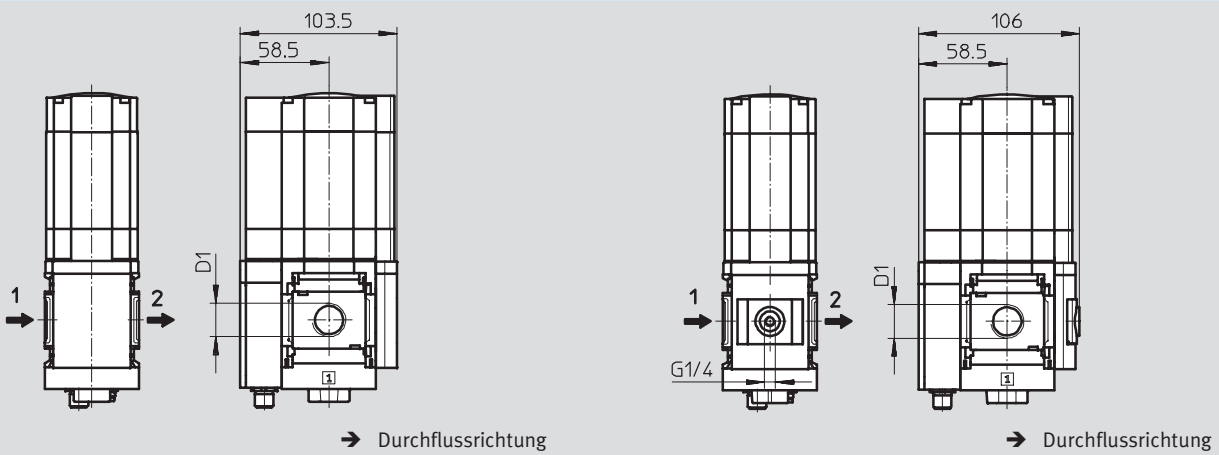
| Typ         | D1   |
|-------------|------|
| MS6-LRE-1/4 | G1/4 |
| MS6-LRE-3/8 | G3/8 |
| MS6-LRE-1/2 | G1/2 |

## Abmessungen – Manometeralternativen

Download CAD-Daten → [www.festo.com/de/engineering](http://www.festo.com/de/engineering)

Verschlussblende VS

Adapter A4 für EN-Manometer 1/4, ohne Manometer



| Typ         | D1   |
|-------------|------|
| MS6-LRE-1/4 | G1/4 |
| MS6-LRE-3/8 | G3/8 |
| MS6-LRE-1/2 | G1/2 |

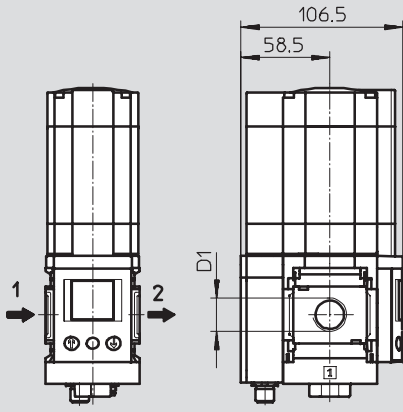
# Elektrik-Druckregelventile MS6-LRE, Baureihe MS

Datenblatt

## Abmessungen – Manometeralternativen

Download CAD-Daten → [www.festo.com/de/engineering](http://www.festo.com/de/engineering)

Bediengerät mit Display OP



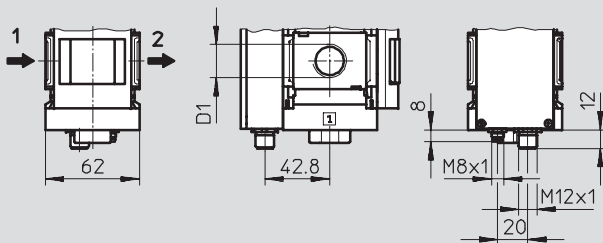
→ Durchflussrichtung

| Typ         | D1   |
|-------------|------|
| MS6-LRE-1/4 | G1/4 |
| MS6-LRE-3/8 | G3/8 |
| MS6-LRE-1/2 | G1/2 |

## Abmessungen – Elektrischer Druckausgang

Download CAD-Daten → [www.festo.com/de/engineering](http://www.festo.com/de/engineering)

Integrierter Drucksensor mit elektrischem Ausgang PI/PU



→ Durchflussrichtung

# Elektrik-Druckregelventile MS6-LRE, Baureihe MS

Datenblatt

| <b>Bestellangaben</b>   |                 |                                 |   |                                  |   |
|---|-----------------|---------------------------------|---|----------------------------------|---|
| Manometer   |                 |                                 |   |                                  |   |
| Baugröße  | Anschluss       | Druckregelbereich 0,3 ... 7 bar |   | Druckregelbereich 0,5 ... 12 bar |   |
|   |                 | Teile-Nr.                       | Typ   | Teile-Nr.                        | Typ   |
| <b>Standard</b>   |                 |                                 |   |                                  |   |
| MS6   | G $\frac{1}{4}$ | <b>535 358</b>                  | <b>MS6-LRE-<math>\frac{1}{4}</math>-D6</b>    | <b>535 364</b>                   | <b>MS6-LRE-<math>\frac{1}{4}</math>-D7</b>    |
|   | G $\frac{3}{8}$ | <b>535 372</b>                  | <b>MS6-LRE-<math>\frac{3}{8}</math>-D6</b>    | <b>535 378</b>                   | <b>MS6-LRE-<math>\frac{3}{8}</math>-D7</b>    |
|   | G $\frac{1}{2}$ | <b>535 348</b>                  | <b>MS6-LRE-<math>\frac{1}{2}</math>-D6</b>    | <b>535 354</b>                   | <b>MS6-LRE-<math>\frac{1}{2}</math>-D7</b>    |
| <b>Elektrischer Druckausgang (Integrierter Drucksensor mit Stromausgang), Stecker M8x1, 3-polig</b>     |                 |                                 |   |                                  |   |
| MS6   | G $\frac{1}{4}$ | <b>535 360</b>                  | <b>MS6-LRE-<math>\frac{1}{4}</math>-D6-PI</b> | <b>535 366</b>                   | <b>MS6-LRE-<math>\frac{1}{4}</math>-D7-PI</b> |
|   | G $\frac{3}{8}$ | <b>535 374</b>                  | <b>MS6-LRE-<math>\frac{3}{8}</math>-D6-PI</b> | <b>535 380</b>                   | <b>MS6-LRE-<math>\frac{3}{8}</math>-D7-PI</b> |
|   | G $\frac{1}{2}$ | <b>535 350</b>                  | <b>MS6-LRE-<math>\frac{1}{2}</math>-D6-PI</b> | <b>535 356</b>                   | <b>MS6-LRE-<math>\frac{1}{2}</math>-D7-PI</b> |
| <b>Elektrischer Druckausgang (Integrierter Drucksensor mit Spannungsausgang), Stecker M8x1, 3-polig</b> |                 |                                 |   |                                  |   |
| MS6   | G $\frac{1}{4}$ | <b>535 362</b>                  | <b>MS6-LRE-<math>\frac{1}{4}</math>-D6-PU</b> | <b>535 369</b>                   | <b>MS6-LRE-<math>\frac{1}{4}</math>-D7-PU</b> |
|   | G $\frac{3}{8}$ | <b>535 376</b>                  | <b>MS6-LRE-<math>\frac{3}{8}</math>-D6-PU</b> | <b>535 382</b>                   | <b>MS6-LRE-<math>\frac{3}{8}</math>-D7-PU</b> |
|   | G $\frac{1}{2}$ | <b>535 352</b>                  | <b>MS6-LRE-<math>\frac{1}{2}</math>-D6-PU</b> | <b>535 357</b>                   | <b>MS6-LRE-<math>\frac{1}{2}</math>-D7-PU</b> |

# Elektrik-Druckregelventile MS6-LRE, Baureihe MS

Bestellangaben – Produktbaukasten

**M Mindestangaben** →

| Baukasten-Nr.          | Baureihe  | Baugröße | Funktion     | Anschlussgröße                    | Druckregelbereich    |
|------------------------|-----------|----------|--------------|-----------------------------------|----------------------|
| 535 191                | MS        | 6        | LRE          | 1/4, 3/8, 1/2, AGB, AGC, AGD, AGE | D5<br>D6<br>D7<br>D8 |
| <b>Bestellbeispiel</b> |           |          |              |                                   |                      |
| <b>535 191</b>         | <b>MS</b> | <b>6</b> | <b>- LRE</b> | <b>- AGC</b>                      | <b>- D6</b>          |

| Bestelltable           |                               | Bedingungen | Code        | Eintrag Code |
|------------------------|-------------------------------|-------------|-------------|--------------|
| Rastermaß              | [mm] 62                       |             |             |              |
| <b>M</b> Baukasten-Nr. | <b>535 191</b>                |             |             |              |
| Baureihe               | Standard                      |             | <b>MS</b>   | MS           |
| Baugröße               | 6                             |             | <b>6</b>    | 6            |
| Funktion               | elektrisches Druckregelventil |             | <b>-LRE</b> | -LRE         |
| Anschlussgröße         | Gewinde G1/4                  |             | <b>-1/4</b> |              |
|                        | Gewinde G3/8                  |             | <b>-3/8</b> |              |
|                        | Gewinde G1/2                  |             | <b>-1/2</b> |              |
|                        | Anschlussplatte G1/4          |             | <b>-AGB</b> |              |
|                        | Anschlussplatte G3/8          |             | <b>-AGC</b> |              |
|                        | Anschlussplatte G1/2          |             | <b>-AGD</b> |              |
|                        | Anschlussplatte G3/4          |             | <b>-AGE</b> |              |
| Druckregelbereich      | 0,3 ... 4 bar                 |             | <b>-D5</b>  |              |
|                        | 0,3 ... 7 bar                 |             | <b>-D6</b>  |              |
|                        | 0,5 ... 12 bar                |             | <b>-D7</b>  |              |
|                        | 0,5 ... 16 bar                |             | <b>-D8</b>  |              |

Wartungsgeräte Baureihe MS  
Druckregler

5

Übertrag Bestellcode

535 191    MS    6    -    LRE    -       -

# Elektrik-Druckregelventile MS6-LRE, Baureihe MS

Bestellangaben – Produktbaukasten

**0 Optionen**

| Manometeralternativen | Alternative Manometerskalierung | Sekundärentlüftung | Elektrischer Druckausgang | Sensorkabel | Versorgungskabel | Befestigungsart | Alternative Durchflussrichtung |
|-----------------------|---------------------------------|--------------------|---------------------------|-------------|------------------|-----------------|--------------------------------|
| VS<br>A4<br>OP        | PSI<br>MPA                      | OS                 | PI<br>PU                  | SK2<br>SK5  | VK2<br>VK5       | WBE<br>WPB      | Z                              |
| - OP                  | -                               | - OS               | - PU                      | - SK5       | -                | -               | - Z                            |

| Bestelltablelle                 |  | Rastermaß [mm] | 62 | Bedingungen | Code        | Eintrag Code |
|---------------------------------|--|----------------|----|-------------|-------------|--------------|
| 0 Manometeralternativen         | Verschlussblende                             |                |    |             | <b>-VS</b>  |              |
|                                 | Adapter für EN-Manometer 1/4, ohne Manometer |                |    |             | <b>-A4</b>  |              |
|                                 | Bediengerät mit Display                      |                |    | 1           | <b>-OP</b>  |              |
| Alternative Manometerskalierung | psi  |                |    | 2           | <b>-PSI</b> |              |
|                                 | MPa  |                |    | 2           | <b>-MPA</b> |              |
| Sekundärentlüftung              | ohne Sekundärentlüftung                      |                |    |             | <b>-OS</b>  |              |
| Elektrischer Druckausgang       | Stecker, M8, 3-polig, I out                  |                |    |             | <b>-PI</b>  |              |
|                                 | Stecker, M8, 3-polig, U out                  |                |    |             | <b>-PU</b>  |              |
| Sensorkabel                     | Steckdose, M8, mit Kabel 2,5 m               |                |    | 1           | <b>-SK2</b> |              |
|                                 | Steckdose, M8, mit Kabel 5 m                 |                |    | 1           | <b>-SK5</b> |              |
| Versorgungskabel                | Steckdose, M12, mit Kabel 2,5 m              |                |    |             | <b>-VK2</b> |              |
|                                 | Steckdose, M12, mit Kabel 5 m                |                |    |             | <b>-VK5</b> |              |
| Befestigungsart                 | Anschlussplatte für Direktgewinde            |                |    | 3           | <b>-WBE</b> |              |
|                                 | Befestigungswinkel für großen Wandabstand    |                |    | 4           | <b>-WPB</b> |              |
| Alternative Durchflussrichtung  | Durchflussrichtung von rechts nach links     |                |    |             | <b>-Z</b>   |              |

- 1 **OP, SK2, SK5** Nur mit Elektrischem Druckausgang PI, PU
- 2 **PSI, MPA** Nicht mit Manometeralternativen VS, A4, OP

- 3 **WBE** Nur mit Anschlussgröße Gewinde 1/4, 3/8, 1/2
- 4 **WPB** Nur mit Anschlussgröße Anschlussplatte AGB, AGC, AGD, AGE

**Übertrag Bestellcode**

-  -  -  -  -  -  -  -

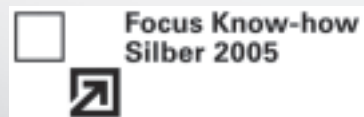


Konfigurierbar

→ [www.festo.com/de/engineering](http://www.festo.com/de/engineering)



- Rastermaß 124 mm
- Hohe Durchflusswerte
- Modernes Design



# Druckregelventile MS12-LR, Baureihe MS

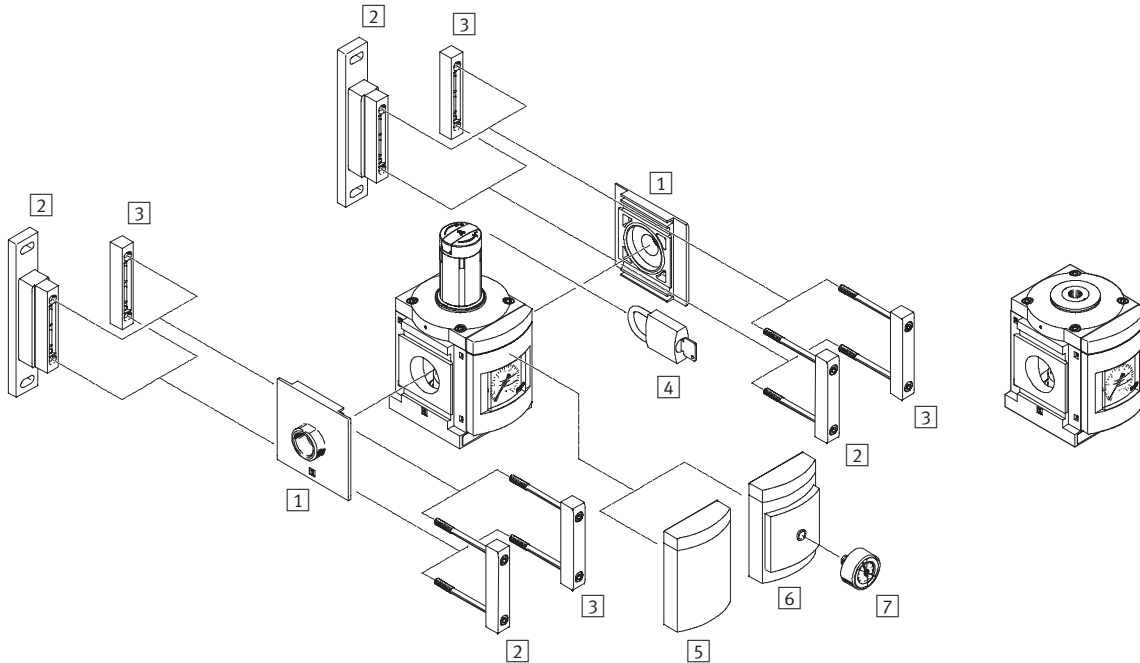
Peripherieübersicht

FESTO

## Druckregelventil LR

Standard

Variante PO  
pneumatisch betätigt



### Befestigungselemente und Zubehör

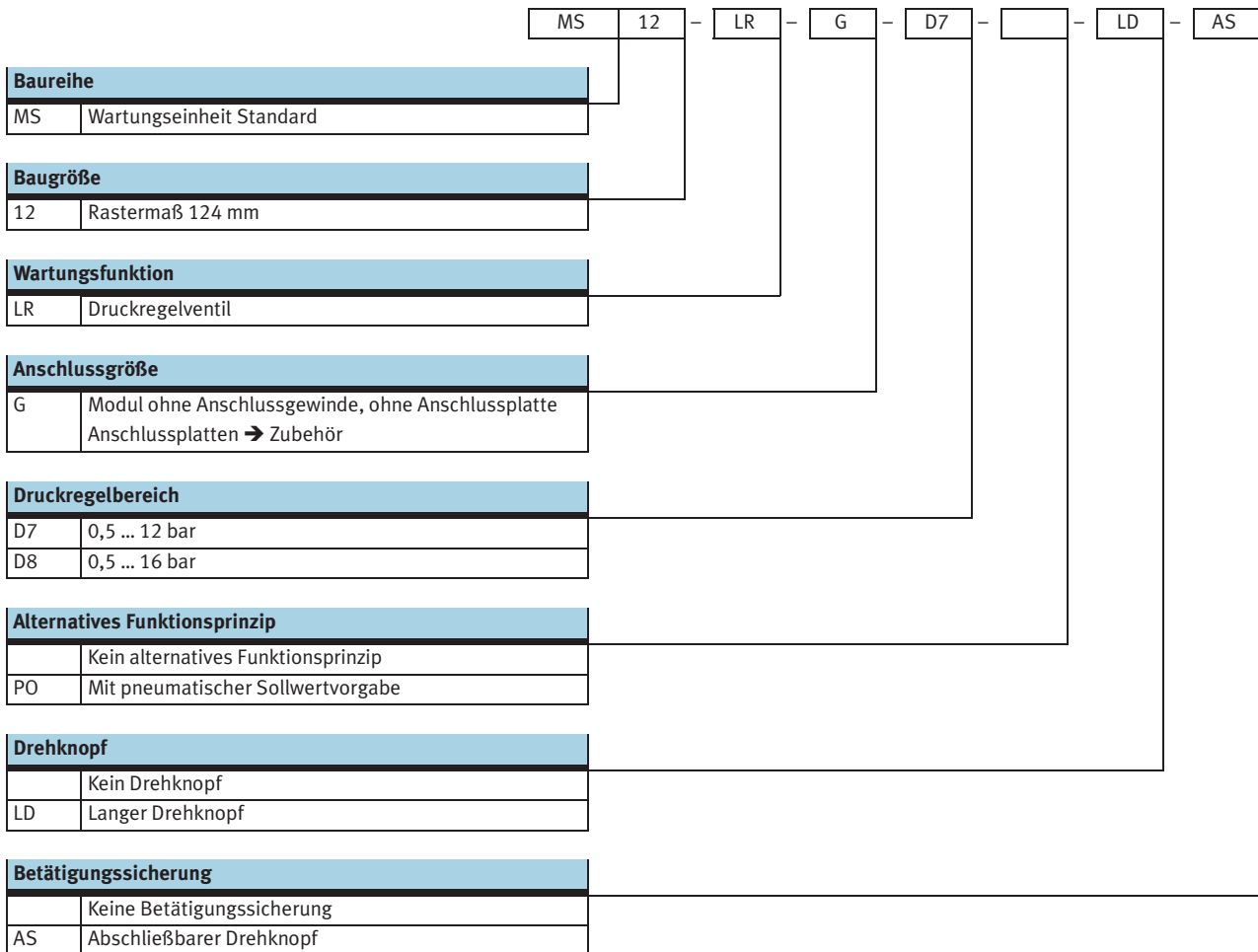
|   |  | → Seite |
|---|--|---------|
| 1 | Anschlussplatte<br>MS12-AG...              | 11-2    |
| 2 | Befestigungswinkel<br>MS12-WP              | 11-9    |
| 3 | Modulverbinder<br>MS12-MV                  | 11-9    |
| 4 | Bügelschloss (außer Variante PO)<br>LRVS-D | 11-11   |
| 5 | Verschlussblende<br>VS                     | 5-64    |
| 6 | Adapter für EN-Manometer 1/4<br>A4         | 5-64    |
| 7 | Manometer<br>MA                            | 11-10   |



# Druckregelventile MS12-LR, Baureihe MS

Typenschlüssel

FESTO



## Weitere Varianten können Sie über den Produktbaukasten bestellen

Druckregelventile LR → 5-64

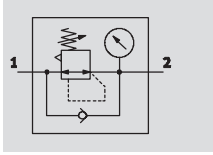
- Anschlussplatten
- Druckregelbereich
- Manometeralternativen
- Alternative Manometerskalierung
- Drehknopf
- Betätigungssicherung
- Befestigungsart
- Alternative Durchflussrichtung

# Druckregelventile MS12-LR, Baureihe MS

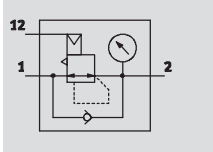
Datenblatt

FESTO

Funktion  
mit Manometer



mit Manometer und pneumatischer Sollwertvorgabe PO



- - Durchfluss  
13 000 ... 22 000 l/min

- - Temperaturbereich  
-10 ... +60 °C

- - Eingangsdruck  
0,8 ... 21 bar

- - [www.festo.com/de/](http://www.festo.com/de/)  
Ersatzteilservice

Verschleißteilsätze  
→ 5-63

Das Druckregelventil hält den Arbeitsdruck (Sekundär-Seite), unabhängig von Druckschwankungen im Netz (Primär-Seite) und vom Luftverbrauch, weitgehend konstant.



- Gute Regelcharakteristik mit kleiner Hysterese und Primärdruck-Kompensation
- Hohe Durchflussleistung bei geringem Druckabfall
- Sicherung der Einstellwerte durch Arretierung des Drehknopfes
- Mit Zubehör abschließbarer Drehknopf

- Mit Sekundärentlüftung
- Drei Druckregelbereiche: 0,3 ... 7 bar, 0,5 ... 12 bar und 0,5 ... 16 bar
- Manometeranschluss für variablen Einbau
- Rückstromoption zum Entlüften von Ausgang 2 zum Ausgang 1 bereits integriert

## Allgemeine Technische Daten

| Pneumatischer Anschluss 1, 2 <sup>1)</sup> | G1  | G1¼        | G1½ | G2 |
|--|---|------------|-----|----|
| Anschluss Steuerluft 12 bei Variante PO    | G¼  |            |     |    |
| Konstruktiver Aufbau                       | Druckregelventil mit/ohne Manometer                   |            |     |    |
|  | Vorgesteuertes Membranregelventil (außer Variante PO) |            |     |    |
|  | Membranregelventil (Variante PO)                      |            |     |    |
| Reglerfunktion                             | mit Vordruckkompensation                              |            |     |    |
|  | mit Rückstromverhalten                                |            |     |    |
|  | mit Sekundärentlüftung                                |            |     |    |
|  | Ausgangsdruck konstant                                |            |     |    |
| Befestigungsart                            | mit Zubehör   |            |     |    |
|  | Leitungseinbau  |            |     |    |
| Einbaulage                                 | beliebig  |            |     |    |
| Betätigungssicherung                       | Drehknopf mit Arretierung                             |            |     |    |
|  | mit Zubehör schließbar                                |            |     |    |
| Druckregelbereich                          | D6 [bar]  | 0,3 ... 7  |     |    |
|  | D7 [bar]  | 0,5 ... 12 |     |    |
|  | D8 [bar]  | 0,5 ... 16 |     |    |
| Max. Druckhysterese [bar]                  | 0,4   |            |     |    |
| Druckanzeige                               | mit Manometer   |            |     |    |
| Durchfluss Sekundärentlüftung [l/min]      | ≤ 600   |            |     |    |
| Produktgewicht [g]                         | 4 000   |            |     |    |

1) Abhängig von gewählter Anschlussplatte, muss als Zubehör separat bestellt werden → 11-2

## Normalnenndurchfluss $q_{nN}^{1)}$ [l/min]

| Pneumatischer Anschluss          | G1     | G1¼    | G1½    | G2     |
|----------------------------------|--------|--------|--------|--------|
| in Hauptdurchflussrichtung 1 → 2 | 13 000 | 13 500 | 16 000 | 22 000 |

1) Abhängig von gewählter Anschlussplatte, muss als Zubehör separat bestellt werden → 11-2  
Gemessen bei  $p_1 = 10$  bar und  $p_2 = 6$  bar,  $\Delta p = 0,5$  bar

# Druckregelventile MS12-LR, Baureihe MS

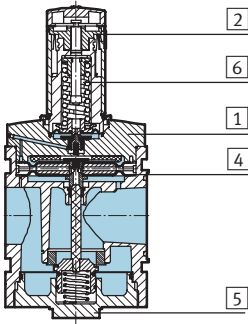
Datenblatt

| Betriebs- und Umweltbedingungen |                   |  |
|---------------------------------|-------------------|--|
| Eingangsdruck                   | [bar]             | 0,8 ... 21   |
| Betriebsmedium                  |                   | Druckluft, Luftqualitätsklasse 5.7.– nach DIN ISO 8573-1 |
| Umgebungstemperatur             | [°C]              | –10 ... +60  |
| Mediumtemperatur                | [°C]              | –10 ... +60  |
| Lagertemperatur                 | [°C]              | –10 ... +60  |
| Korrosionsbeständigkeit         | KBK <sup>1)</sup> | 2  |

1) Korrosionsbeständigkeitsklasse 2 nach Festo Norm 940 070  
 Bauteile mit mäßiger Korrosionsbeanspruchung. Außenliegende sichtbare Teile mit vorrangig dekorativer Anforderung an die Oberfläche, die im direkten Kontakt zur umgebenden industriellen Atmosphäre bzw. Medien, wie Kühl- und Schmierstoffe stehen.

## Werkstoffe

Funktionschnitt



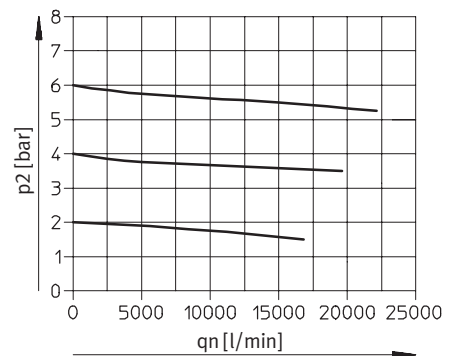
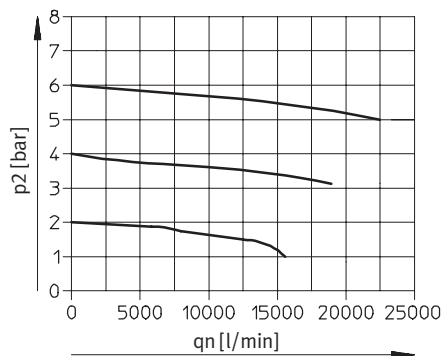
| Druckregelventil |   |
|------------------|---|
| 1                | Gehäuse<br>Aluminium-Druckguss  |
| 2                | Reglerknopf<br>Polyamid/Polyacetal                                    |
| 4                | Membrane<br>Nitrilkautschuk   |
| 5                | Deckel unten<br>Aluminium-Knetlegierung                               |
| 6                | Federn<br>Stahl   |
| –                | Dichtungen<br>Nitrilkautschuk   |
|                  | Werkstoffhinweis<br>Kupfer- und PTFE-frei nur mit Verschlussblende VS |

## Normaldurchfluss qn in Abhängigkeit vom Ausgangsdruck p2

mit Anschlussplatte MS12-AGF Pneumatischer Anschluss G1

mit Anschlussplatte MS12-AGG Pneumatischer Anschluss G1¼

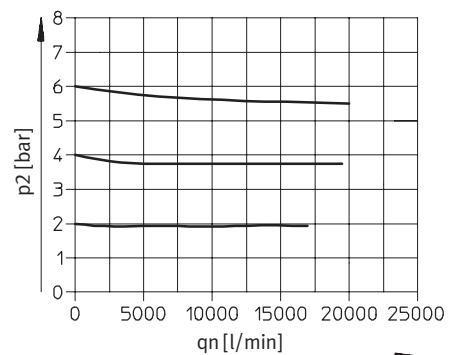
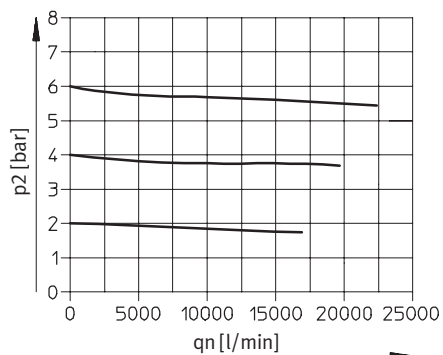
Primärdruck p1 = 10 bar



mit Anschlussplatte MS12-AGH Pneumatischer Anschluss G1½

mit Anschlussplatte MS12-AGI Pneumatischer Anschluss G2

Primärdruck p1 = 10 bar



# Druckregelventile MS12-LR, Baureihe MS

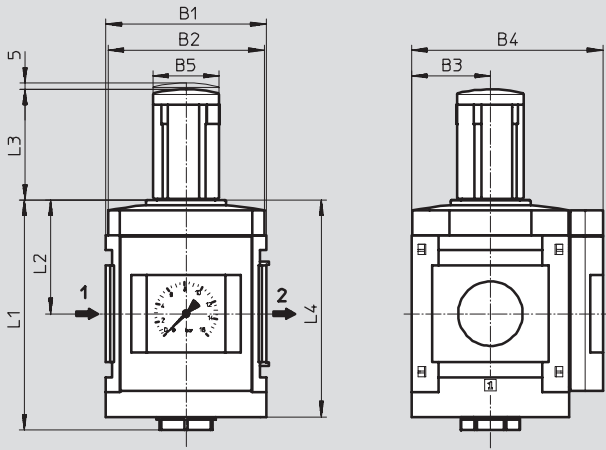
Datenblatt



## Abmessungen – Standard

Download CAD-Daten → [www.festo.com/de/engineering](http://www.festo.com/de/engineering)

mit Manometer, Anzeigeeinheit [bar], langer Drehknopf



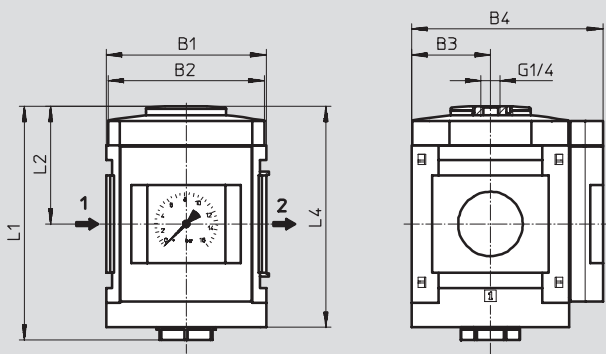
→ Durchflussrichtung

| Typ     | B1  | B2  | B3 | B4  | B5 | L1  | L2 | L3 | L4  |
|---------|-----|-----|----|-----|----|-----|----|----|-----|
| MS12-LR | 124 | 122 | 61 | 148 | 51 | 178 | 88 | 86 | 168 |

## Abmessungen – Alternatives Funktionsprinzip

Download CAD-Daten → [www.festo.com/de/engineering](http://www.festo.com/de/engineering)

pneumatisch betätigt PO, mit Manometer, Anzeigeeinheit [bar]



→ Durchflussrichtung

| Typ            | B1  | B2  | B3 | B4  | L1  | L2 | L4  |
|----------------|-----|-----|----|-----|-----|----|-----|
| MS12-LR-...-PO | 124 | 122 | 61 | 148 | 181 | 91 | 171 |

# Druckregelventile MS12-LR, Baureihe MS

Datenblatt

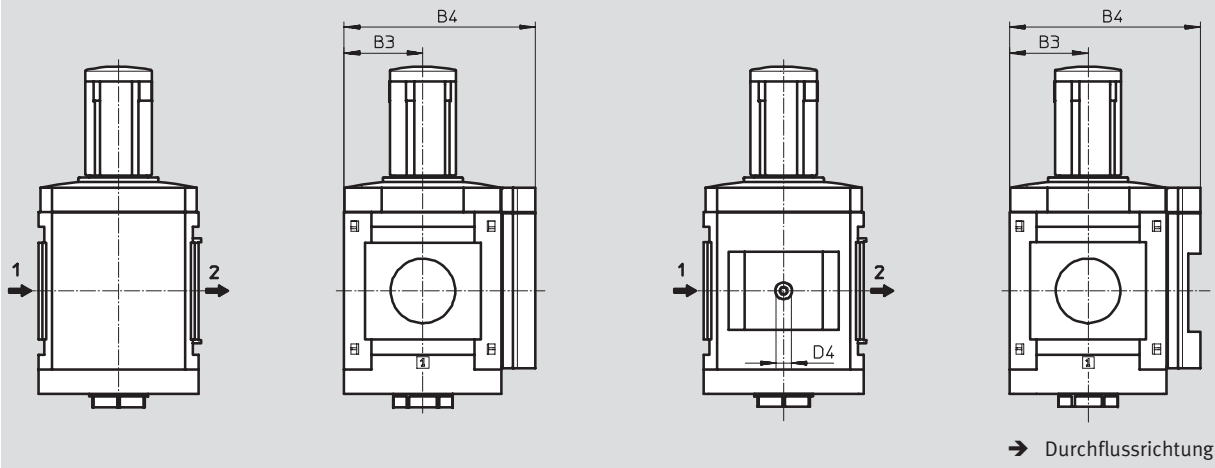
FESTO

## Abmessungen – Manometeralternativen

Download CAD-Daten → [www.festo.com/de/engineering](http://www.festo.com/de/engineering)

Verschlussblende VS

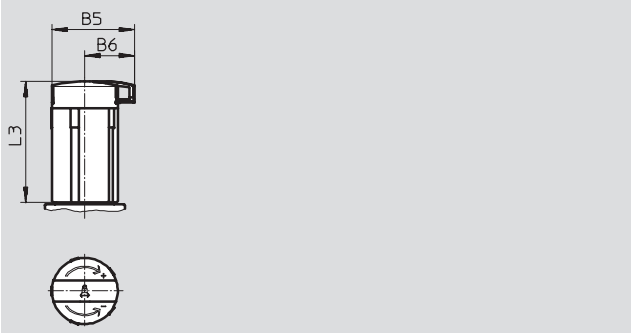
Adapter A4 für EN-Manometer 1/4, ohne Manometer



| Typ            | B3 | B4  | D4   |
|----------------|----|-----|------|
| MS12-LR-...-VS | 61 | 148 | -    |
| MS12-LR-...-A4 | 61 | 148 | G1/4 |

## Abmessungen – Drehknopf

lang, abschließbar LD-AS



| Typ               | B5   | B6 | L3   |
|-------------------|------|----|------|
| MS12-LR-...-LD-AS | 64,4 | 39 | 95,5 |

## Bestellangaben

| Manometer |                         |  |   |
|-----------|-------------------------|--|---|
| Baugröße  | Anschluss               | Langer Drehknopf, mit Zubehör abschließbar, Druckregelbereich 0,5 ... 12 bar | Alternatives Funktionsprinzip, Druckregelbereich 0,5 ... 16 bar |
|           |                         | Teile-Nr. Typ  | Teile-Nr. Typ   |
| MS12      | G1 ... G2 <sup>1)</sup> | 537 148 MS12-LR-G-D7-LD-AS   | 541 680 MS12-LR-G-D8-PO   |

1) Anschlussplatte muss als Zubehör separat bestellt werden → 11-2

## Bestellangaben – Verschleißteilsätze

| Baugröße | Teile-Nr. Typ       |
|----------|---------------------|
| MS12     | 673 586 MS12-LR/LFR |

# Druckregelventile MS12-LR, Baureihe MS

Bestellangaben – Produktbaukasten



**M Mindestangaben** →

| Baukasten-Nr.          | Baureihe  | Baugröße  | Funktion    | Anschlussgröße                | Druckregelbereich |
|------------------------|-----------|-----------|-------------|-------------------------------|-------------------|
| 535 021                | MS        | 12        | LR          | AGF<br>AGG<br>AGH<br>AGI<br>G | D6<br>D7<br>D8    |
| <b>Bestellbeispiel</b> |           |           |             |                               |                   |
| <b>535 021</b>         | <b>MS</b> | <b>12</b> | <b>- LR</b> | <b>- G</b>                    | <b>- D8</b>       |

| Bestelltable |                   | Rastermaß [mm]                                    | 124 | Bedingungen | Code        | Eintrag Code |
|--------------|-------------------|---|-----|-------------|-------------|--------------|
| <b>M</b>     | Baukasten-Nr.     | <b>535 021</b>                                    |     |             |             |              |
|              | Baureihe          | Standard  |     |             | <b>MS</b>   | MS           |
|              | Baugröße          | 12  |     |             | <b>12</b>   | 12           |
|              | Funktion          | Druckregelventil                                  |     |             | <b>-LR</b>  | -LR          |
|              | Anschlussgröße    | Anschlussplatte G1                                |     |             | <b>-AGF</b> |              |
|              |                   | Anschlussplatte G1¼                               |     |             | <b>-AGG</b> |              |
|              |                   | Anschlussplatte G1½                               |     |             | <b>-AGH</b> |              |
|              |                   | Anschlussplatte G2                                |     |             | <b>-AGI</b> |              |
|              |                   | Modul ohne Anschlussgewinde, ohne Anschlussplatte |     |             | <b>-G</b>   |              |
|              | Druckregelbereich | 0,3 ... 7 bar                                     |     |             | <b>-D6</b>  |              |
|              |                   | 0,5 ... 12 bar                                    |     |             | <b>-D7</b>  |              |
|              |                   | 0,5 ... 16 bar                                    |     |             | <b>-D8</b>  |              |

Wartungsgeräte Baureihe MS  
Druckregler

**Übertrag Bestellcode**

535 021   MS   12   -   LR   -   -   -

# Druckregelventile MS12-LR, Baureihe MS

Bestellangaben – Produktbaukasten

→ **0 Optionen**

| Manometeralternativen | Alternative Manometerskalierung | Drehknopfalternative | Abschließbarkeit | Alternatives Funktionsprinzip | Befestigungsart | Alternative Durchflussrichtung |
|-----------------------|---------------------------------|----------------------|------------------|-------------------------------|-----------------|--------------------------------|
| VS<br>A4              | PSI<br>MPa                      | LD                   | AS               | PO                            | WP              | Z                              |
| - VS                  | -                               | - LD                 | - AS             | -                             | -               | - Z                            |

| Bestelltabelle                  |  | Bedingungen | Code | Eintrag Code |
|---------------------------------|--|-------------|------|--------------|
| Rastermaß                       | [mm] 124                                     |             |      |              |
| 0 Manometeralternativen         | Verschlussblende                             |             | -VS  |              |
|                                 | Adapter für EN-Manometer 1/4, ohne Manometer |             | -A4  |              |
| Alternative Manometerskalierung | psi  | 1           | -PSI |              |
|                                 | MPa  | 1           | -MPA |              |
| Drehknopfalternative            | langer Drehknopf                             | 2           | -LD  |              |
| Abschließbarkeit                | abschließbarer Drehknopf                     |             | -AS  |              |
| Alternatives Funktionsprinzip   | pneumatisch betätigt                         | 3           | -PO  |              |
| Befestigungsart                 | Befestigungswinkel                           | 4           | -WP  |              |
| Alternative Durchflussrichtung  | Durchflussrichtung von rechts nach links     |             | -Z   |              |

- 1 **PSI, MPA** Nicht mit Manometeralternativen VS, A4
- 2 **LD** Muss gewählt werden, wenn alternatives Funktionsprinzip PO nicht gewählt wurde

- 3 **PO** Nicht mit Drehknopf LD.  
Nicht mit Abschließbarkeit AS
- 4 **WP** Nur mit Anschlussplatte AGF, AGG, AGH oder AGI

**Übertrag Bestellcode**

-  -  -  -  -  -  -







# Wartungsgeräte Baureihe MS

Zubehör

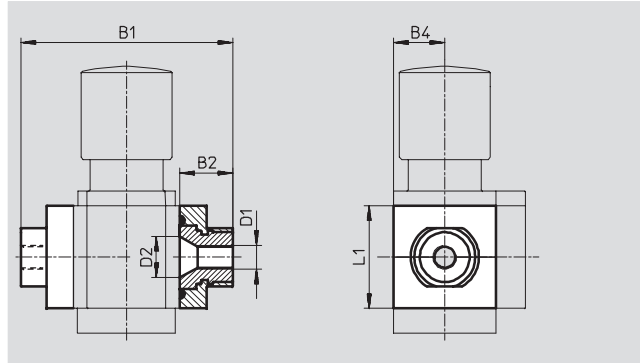


## Anschlussplatte MS4/6-AG...

(Bestellcode: AG...)

- Adapter für Druckluftanschluss
- MS6-AGE zur Realisierung von Gewindeanschluss G $\frac{3}{4}$

Werkstoff:  
Aluminium



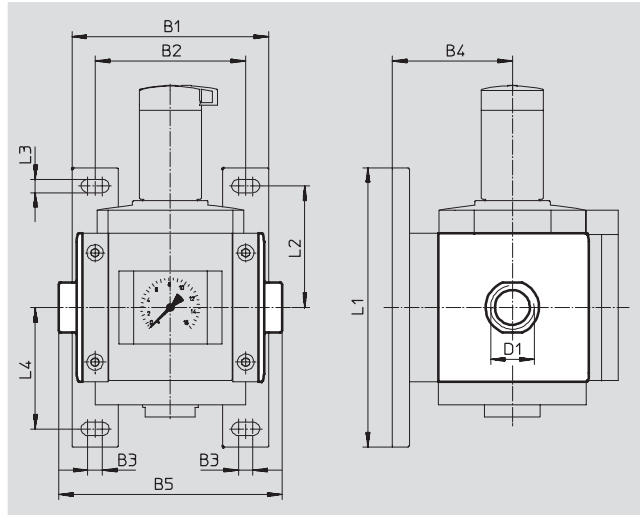
| Abmessungen und Bestellangaben |      |      |    |                 |      |    |             |           |         |
|--------------------------------|------|------|----|-----------------|------|----|-------------|-----------|---------|
| Baugröße                       | B1   | B2   | B4 | D1              | D2   | L1 | Gewicht [g] | Teile-Nr. | Typ     |
| MS4                            | 83,5 | 21,5 | 21 | G $\frac{1}{8}$ | 16,8 | 42 | 128         | 526 068   | MS4-AGA |
|                                |      |      |    | G $\frac{1}{4}$ |      |    |             | 526 069   | MS4-AGB |
|                                |      |      |    | G $\frac{3}{8}$ |      |    |             | 526 070   | MS4-AGC |
| MS6                            | 115  | 26,5 | 31 | G $\frac{1}{4}$ | 24   | 62 | 300         | 526 080   | MS6-AGB |
|                                |      |      |    | G $\frac{3}{8}$ |      |    |             | 526 081   | MS6-AGC |
|                                |      |      |    | G $\frac{1}{2}$ |      |    |             | 526 082   | MS6-AGD |
|                                |      |      |    | G $\frac{3}{4}$ |      |    |             | 526 083   | MS6-AGE |

## Anschlussplatte MS12-AG...

(Bestellcode: AG...)

- Adapter für Druckluftanschluss

Werkstoff:  
Aluminium-Druckguss  
Kupfer- und PTFE-frei



| Abmessungen und Bestellangaben |     |     |    |    |     |                 |     |     |    |     |             |           |          |
|--------------------------------|-----|-----|----|----|-----|-----------------|-----|-----|----|-----|-------------|-----------|----------|
| Baugröße                       | B1  | B2  | B3 | B4 | B5  | D1              | L1  | L2  | L3 | L4  | Gewicht [g] | Teile-Nr. | Typ      |
| MS12                           | 162 | 124 | 12 | 99 | 184 | G1              | 230 | 100 | 11 | 100 | 1300        | 537 135   | MS12-AGF |
|                                |     |     |    |    | 184 | G $\frac{1}{4}$ |     |     |    |     |             | 537 136   | MS12-AGG |
|                                |     |     |    |    | 184 | G $\frac{1}{2}$ |     |     |    |     |             | 537 137   | MS12-AGH |
|                                |     |     |    |    | 196 | G2              |     |     |    |     |             | 537 138   | MS12-AGI |

## Wartungsgeräte Baureihe MS

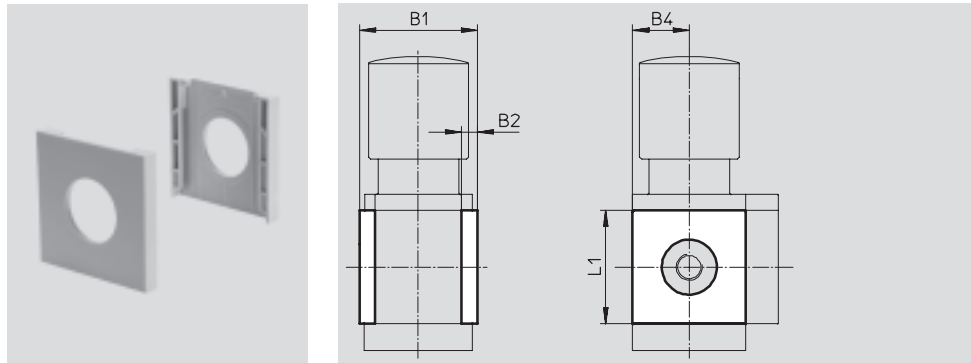
Zubehör

**FESTO**

### Abdeckkappe MS4/6-END

- zum Verblenden der Gehäuseseiten für erstes und letztes Modul einsetzbar, wenn keine Anschlussplatten verwendet werden.

Werkstoff:  
Polyamid, verstärkt  
Kupfer- und PTFE-frei



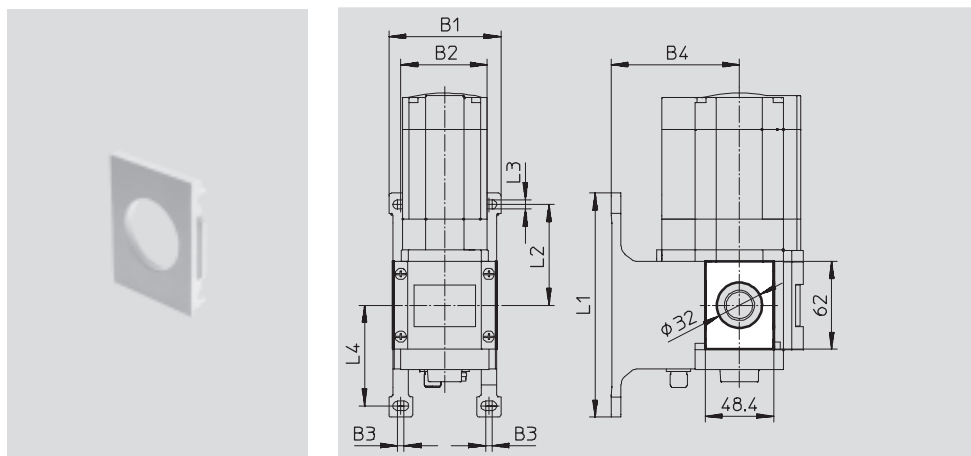
| Abmessungen und Bestellangaben |      |    |    |    |           |         |
|--------------------------------|------|----|----|----|-----------|---------|
| Baugröße                       | B1   | B2 | B4 | L1 | Teile-Nr. | Typ     |
| MS4                            | 43,6 | 6  | 21 | 42 | 538 779   | MS4-END |
| MS6                            | 67   | 8  | 31 | 62 | 538 780   | MS6-END |


### Befestigungsplatte MS6-AEND

(Bestellcode: WBE; Lieferumfang beinhaltet Befestigungswinkel MS6-WPB)

- in Verbindung mit Befestigungswinkel MS6-WP oder MS6-WPB zur Wandmontage eines Einzelgeräts mit Direktgewinde

Werkstoff:  
Polyamid, verstärkt  
Kupfer- und PTFE-frei



| Abmessungen und Bestellangaben |    |    |     |      |     |    |     |    |                   |             |           |  |
|--------------------------------|----|----|-----|------|-----|----|-----|----|-------------------|-------------|-----------|--|
| Baugröße                       | B1 | B2 | B3  | B4   | L1  | L2 | L3  | L4 | KBK <sup>1)</sup> | Gewicht [g] | Teile-Nr. | Typ  |
| MS6                            | 79 | 62 | 4,5 | 90,5 | 158 | 71 | 6,6 | 71 | 2                 | 17          | 535 408   | MS6-AEND  Neu |

1) Korrosionsbeständigkeitsklasse 2 nach Festo Norm 940 070  
Bauteile mit mäßiger Korrosionsbeanspruchung. Außenliegende sichtbare Teile mit vorrangig dekorativer Anforderung an die Oberfläche, die im direkten Kontakt zur umgebenden industriellen Atmosphäre bzw. Medien, wie Kühl- und Schmierstoffe stehen.

# Wartungsgeräte Baureihe MS

Zubehör



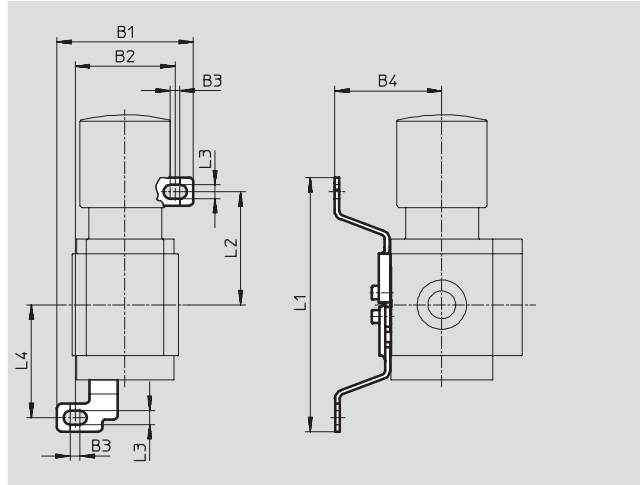
## Befestigungswinkel MS4/6-WB

(Bestellcode: WB)

- zur Wandmontage

Werkstoff:

Stahl



| Abmessungen und Bestellangaben |      |      |     |      |       |      |     |      |             |                |
|--------------------------------|------|------|-----|------|-------|------|-----|------|-------------|----------------|
| Baugröße                       | B1   | B2   | B3  | B4   | L1    | L2   | L3  | L4   | Gewicht [g] | Teile-Nr. Typ  |
| MS4                            | 56,2 | 41,2 | 4   | 44,2 | 104,6 | 46,6 | 5,6 | 46,5 | 46          | 532 185 MS4-WB |
| MS6                            | 79,4 | 61,9 | 4,5 | 55   | 157,6 | 71   | 6,6 | 71   | 121         | 532 196 MS6-WB |

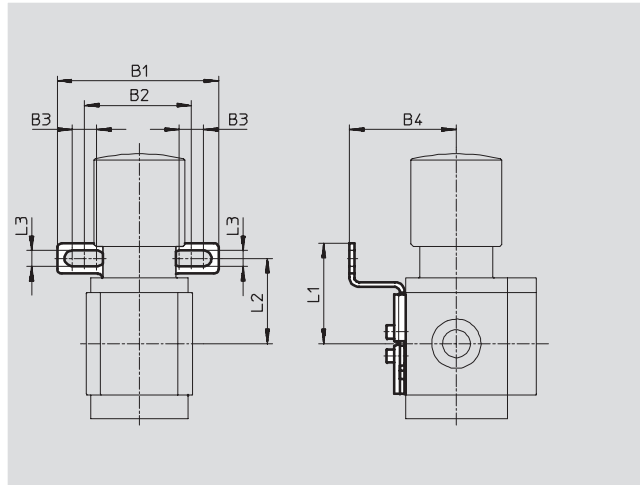
## Befestigungswinkel MS4-WBM

(Bestellcode: WBM)

- zur Wandmontage

Werkstoff:

Stahl



| Abmessungen und Bestellangaben |      |    |    |    |      |    |     |             |                 |  |
|--------------------------------|------|----|----|----|------|----|-----|-------------|-----------------|--|
| Baugröße                       | B1   | B2 | B3 | B4 | L1   | L2 | L3  | Gewicht [g] | Teile-Nr. Typ   |  |
| MS4                            | 66,5 | 44 | 10 | 44 | 41,3 | 35 | 6,5 | 48          | 526 062 MS4-WBM |  |

# Wartungsgeräte Baureihe MS

Zubehör

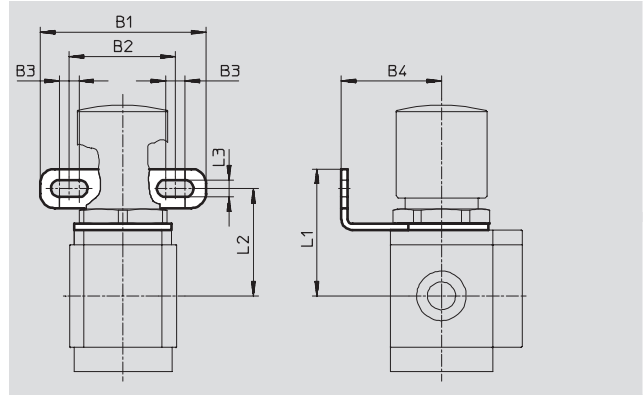



## Befestigungswinkel MS4/6-WR

(Bestellcode: WR)

- zur Wandmontage
- für Filterregler, Druckregler

Werkstoff:  
Stahl



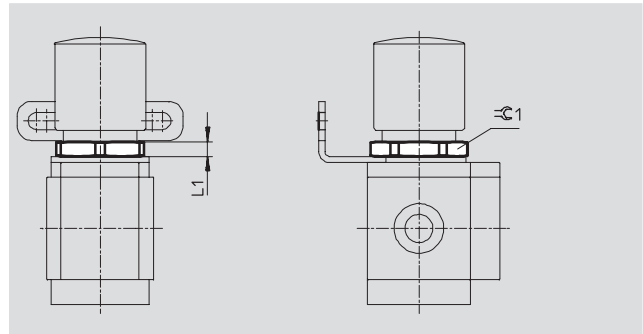
-  - Hinweis  
Sechskantmutter zum Befestigen dieses Winkels bitte separat bestellen.

| Abmessungen und Bestellangaben |    |    |     |    |    |    |     |             |           |        |
|--------------------------------|----|----|-----|----|----|----|-----|-------------|-----------|--------|
| Baugröße                       | B1 | B2 | B3  | B4 | L1 | L2 | L3  | Gewicht [g] | Teile-Nr. | Typ    |
| MS4                            | 68 | 44 | 8   | 41 | 52 | 44 | 7   | 49          | 526 064   | MS4-WR |
| MS6                            | 70 | 42 | 8,2 | 40 | 67 | 57 | 7,1 | 90          | 526 075   | MS6-WR |

## Sechskantmutter MS4/6-WRS

- zum Fronttafeleinbau
- zur Befestigung des Befestigungswinkels MS...-WR

Werkstoff:  
Aluminium



| Abmessungen und Bestellangaben |    |      |             |           |         |
|--------------------------------|----|------|-------------|-----------|---------|
| Baugröße                       | L1 | ±0.1 | Gewicht [g] | Teile-Nr. | Typ     |
| MS4                            | 6  | 36   | 6,9         | 532 187   | MS4-WRS |
| MS6                            | 7  | 55   | 20,9        | 532 188   | MS6-WRS |

# Wartungsgeräte Baureihe MS

Zubehör



## Befestigungswinkel MS4/6-WP...

Montageabstände zur Befestigung von Wartungsgeräte-Kombinationen

1 Gerät

MS4-...: 40 mm

MS6-...: 62 mm

2 Geräte

MS4-...: 80 mm

MS6-...: 124 mm mit WP, WPB

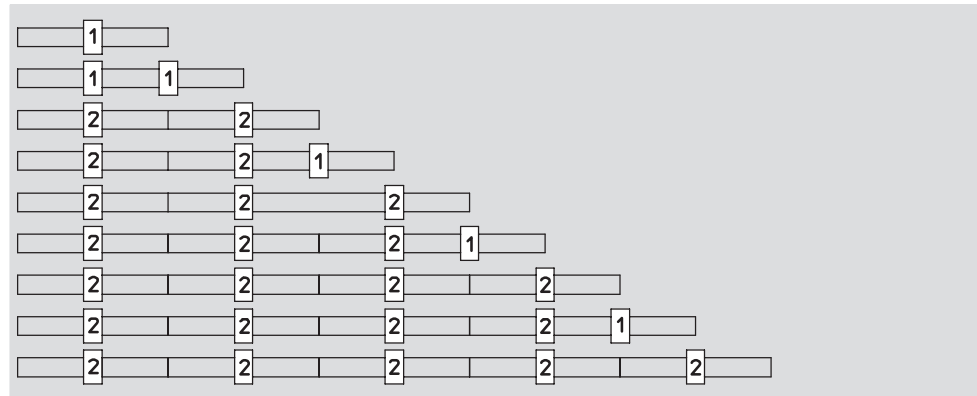
138 mm mit WPM-2D

1 Befestigungswinkel WP, WPB  
oder WPM-D

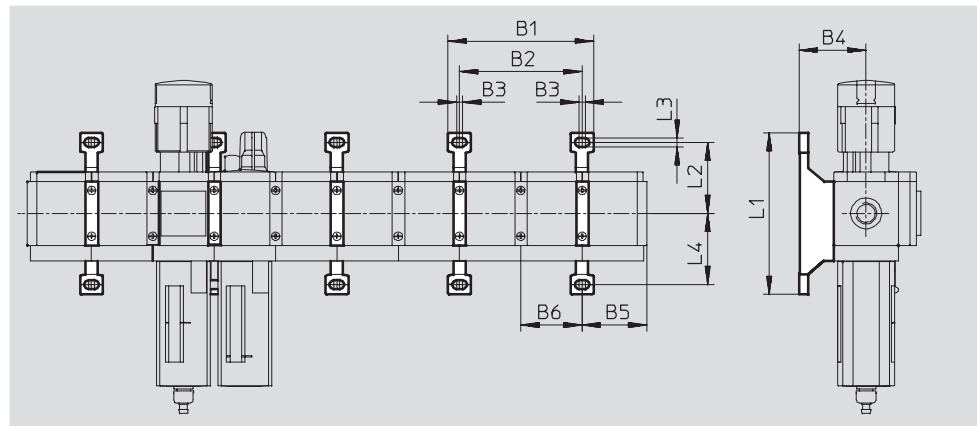
2 Befestigungswinkel WP, WPB  
oder WPM-2D

Geräteanzahl

1 2 3 4 5 6 7 8 9 10



## Montageabmessungen



| Typ                 | B1   | B2  | B3  | B4   | B5   | B6 | L1  | L2   | L3  | L4   |      |
|---------------------|------|-----|-----|------|------|----|-----|------|-----|------|------|
| <b>MS4-WP</b>       | 95,2 | 80  | 4   | 44   | 41,9 | 40 | 106 | 46,5 | 5,6 | 46,7 |      |
| <b>MS4-WPB</b>      |      |     |     | 66   |      |    |     |      |     | 40   |      |
| <b>MS4-WPM-...D</b> |      |     |     | 44   |      |    |     |      |     | 92,8 | 34,8 |
| <b>MS6-WP</b>       | 141  | 124 | 4,5 | 54   | 64,5 | 62 | 158 | 71   | 6,6 | 71   |      |
| <b>MS6-WPB</b>      |      |     |     | 90,5 |      |    |     |      |     | 69   | 41,3 |
| <b>MS6-WPM-...D</b> |      |     |     | 54   |      |    |     |      |     | 65,5 | 69   |

# Wartungsgeräte Baureihe MS

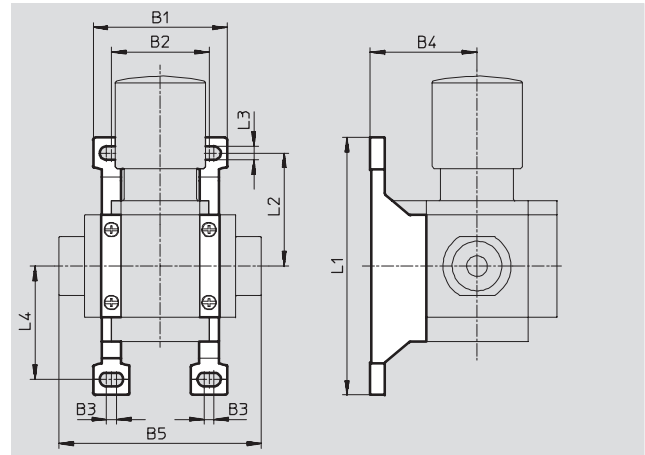
Zubehör



## Befestigungswinkel MS4/6-WP

(Bestellcode: WP)

- für Verbindung der Module zur Wandmontage
- in Verbindung mit Anschlussplatte MS4/6-AG... zur Wandmontage eines Einzelgeräts
- in Verbindung mit Befestigungsplatte MS6-AEND zur Wandmontage eines Einzelgeräts mit Direktgewinde
- für Druckregelventil LRB mit Winkelabgangsblock B... hinten



Werkstoff:

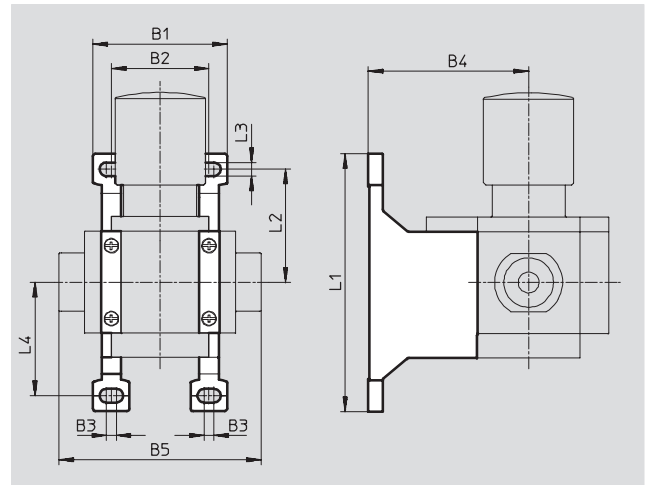
Alu-Druckguss

| Abmessungen und Bestellangaben |      |      |     |    |      |     |      |     |      |             |                |
|--------------------------------|------|------|-----|----|------|-----|------|-----|------|-------------|----------------|
| Baugröße                       | B1   | B2   | B3  | B4 | B5   | L1  | L2   | L3  | L4   | Gewicht [g] | Teile-Nr. Typ  |
| MS4                            | 55,2 | 40,2 | 4   | 44 | 83,4 | 106 | 46,5 | 5,6 | 46,7 | 39          | 532 184 MS4-WP |
| MS6                            | 79   | 62   | 4,5 | 54 | 115  | 158 | 71   | 6,6 | 71   | 76          | 532 195 MS6-WP |

## Befestigungswinkel MS4/6-WPB

(Bestellcode: WPB)

- für Verbindung der Module zur Wandmontage
- in Verbindung mit Anschlussplatte MS4/6-AG... zur Wandmontage eines Einzelgeräts
- in Verbindung mit Befestigungsplatte MS6-AEND zur Wandmontage eines Einzelgeräts mit Direktgewinde
- mit großem Wandabstand für Druckregelventil



Werkstoff:

Alu-Druckguss

| Abmessungen und Bestellangaben |      |      |     |      |      |     |      |     |      |             |                 |
|--------------------------------|------|------|-----|------|------|-----|------|-----|------|-------------|-----------------|
| Baugröße                       | B1   | B2   | B3  | B4   | B5   | L1  | L2   | L3  | L4   | Gewicht [g] | Teile-Nr. Typ   |
| MS4                            | 55,2 | 40,2 | 4   | 66   | 83,4 | 106 | 46,5 | 5,6 | 46,7 | 55          | 526 063 MS4-WPB |
| MS6                            | 79   | 62   | 4,5 | 90,5 | 115  | 158 | 71   | 6,6 | 71   | 115         | 526 074 MS6-WPB |

# Wartungsgeräte Baureihe MS

Zubehör



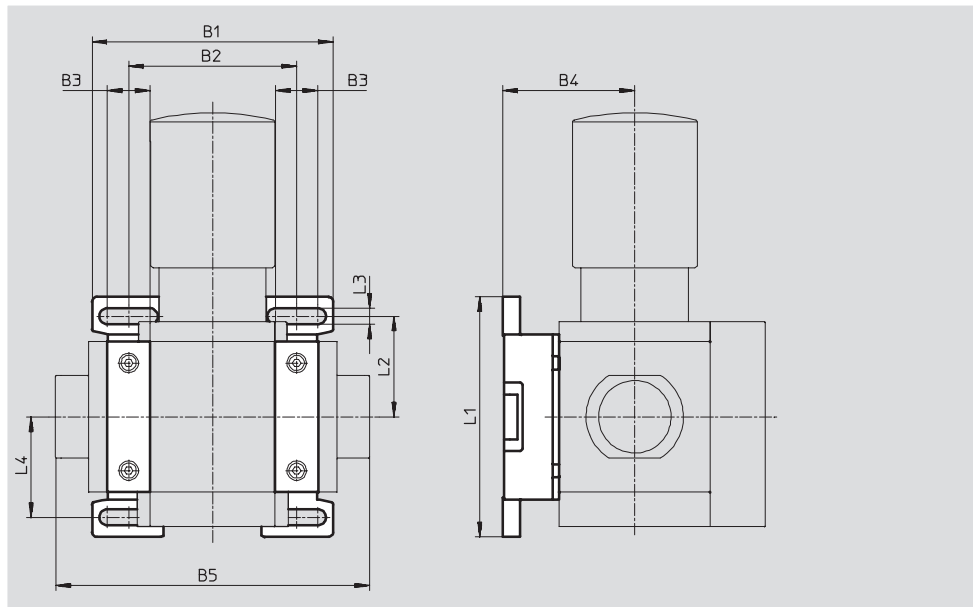
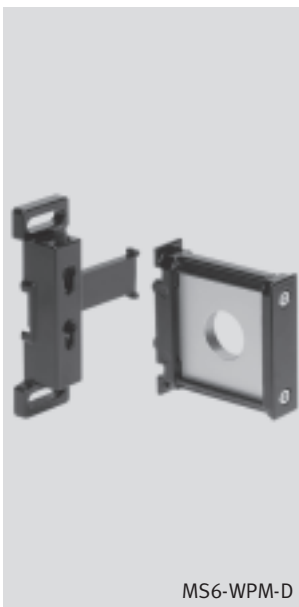
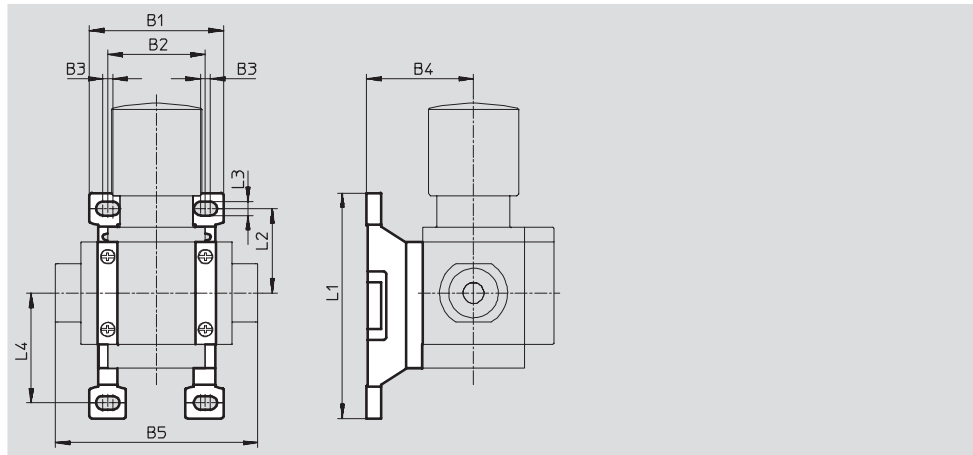
## Befestigungswinkel MS4/6-WPM

(Bestellcode: WPM)

- für Verbindung der Module zur Wandmontage
- in Verbindung mit Anschlussplatte MS4/6-AG... zur Wandmontage eines Einzelgeräts
- schnelles Ein- und Aushängen
- für Einbau der Module mit Reglerknopf nach unten

Das im Lieferumfang enthaltene Distanzstück D bzw. 2D gewährleistet die Einhaltung des Montageabstands

Werkstoff:  
Alu-Druckguss



| Abmessungen und Bestellangaben |      |     |      |    |       |      |      |     |      |                |             |           |            |
|--------------------------------|------|-----|------|----|-------|------|------|-----|------|----------------|-------------|-----------|------------|
| Baugröße                       | B1   | B2  | B3   | B4 | B5    | L1   | L2   | L3  | L4   | Montageabstand | Gewicht [g] | Teile-Nr. | Typ        |
| MS4                            | 55,2 | 40  | 4    | 44 | 83,4  | 92,8 | 34,8 | 5,6 | 45,2 | 40             | 45          | 526 060   | MS4-WPM-D  |
|                                | 95,2 | 80  |      |    | 123,4 |      |      |     |      | 80             | 55          | 526 061   | MS4-WPM-2D |
| MS6                            | 99   | 69  | 17,5 | 54 | 129   | 98,6 | 41,3 | 6,6 | 41,3 | 62             | 144         | 526 073   | MS6-WPM-D  |
|                                | 168  | 138 |      |    | 198   |      |      |     |      | 124            | 154         | 532 186   | MS6-WPM-2D |



# Wartungsgeräte Baureihe MS

Zubehör

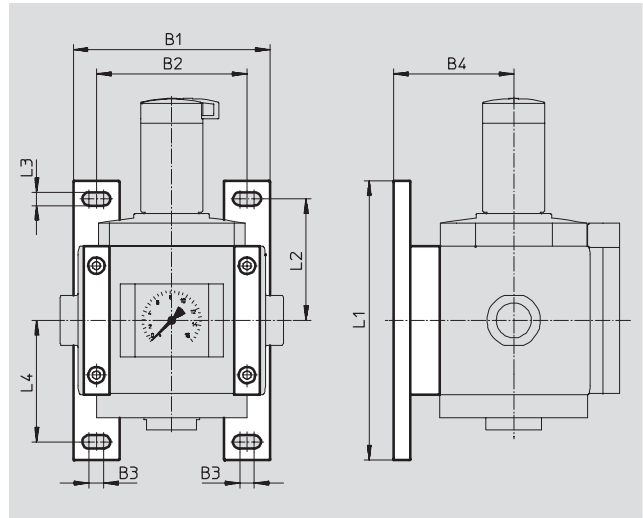


## Befestigungswinkel MS12-WP

(Bestellcode: WP)

- für Verbindung der Module zur Wandmontage
- in Verbindung mit Anschlussplatte zur Wandmontage eines Einzelgeräts

Werkstoff:  
Aluminium-Druckguss  
Kupfer- und PTFE-frei



| Abmessungen und Bestellangaben |     |     |    |    |     |     |    |     |             |           |         |
|--------------------------------|-----|-----|----|----|-----|-----|----|-----|-------------|-----------|---------|
| Baugröße                       | B1  | B2  | B3 | B4 | L1  | L2  | L3 | L4  | Gewicht [g] | Teile-Nr. | Typ     |
| MS12                           | 162 | 124 | 12 | 99 | 230 | 100 | 11 | 100 | 700         | 537 133   | MS12-WP |

## Modulverbinder MS...-MV

- für Verbindung der Module

Werkstoff:  
MS4/6: Edelstahl/Polyacetal

MS12: Aluminium-Druckguss,  
Kupfer- und PTFE-frei

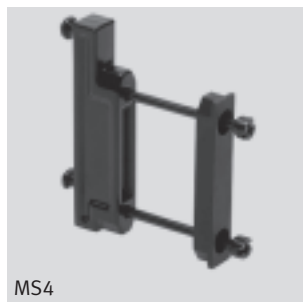


| Bestellangaben |             |           |         |
|----------------|-------------|-----------|---------|
| Baugröße       | Gewicht [g] | Teile-Nr. | Typ     |
| MS4            | 36          | 532 798   | MS4-MV  |
| MS6            | 54          | 532 799   | MS6-MV  |
| MS12           | 500         | 537 134   | MS12-MV |

## Modulverbinder MS4/6-MVM

- für Einbau der Module mit Reglerknopf nach unten

Werkstoff:  
Alu-Druckguss


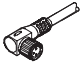



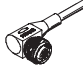
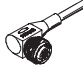
| Bestellangaben |           |         |  |
|----------------|-----------|---------|--|
| Baugröße       | Teile-Nr. | Typ     |  |
| MS4            | 532 800   | MS4-MVM |  |
| MS6            | 532 801   | MS6-MVM |  |


# Wartungsgeräte Baureihe MS

Zubehör

**FESTO**

| Bestellangaben – Steckdosenkabel SIM-M8   |                        |                | Datenblätter → <a href="http://www.festo.com">www.festo.com</a> |                   |
|---|------------------------|----------------|---|-------------------|
|   | Elektrischer Anschluss | Kabellänge [m] | Teile-Nr.   | Typ               |
|  | M8x1, 3-polig          | 2,5            | 159 420   | SIM-M8-3GD-2,5-PU |
|   |                        | 5              | 159 421   | SIM-M8-3GD-5-PU   |
|   |                        | 10             | 192 964   | SIM-M8-3GD-10-PU  |
|   | M8x1, 4-polig          | 2,5            | 158 960   | SIM-M8-4GD-2,5-PU |
|   |                        | 5              | 158 961   | SIM-M8-4GD-5-PU   |
|  | M8x1, 3-polig          | 2,5            | 159 422   | SIM-M8-3WD-2,5-PU |
|   |                        | 5              | 159 423   | SIM-M8-3WD-5-PU   |
|   |                        | 10             | 192 965   | SIM-M8-3WD-10-PU  |
|   | M8x1, 4-polig          | 2,5            | 158 962   | SIM-M8-4WD-2,5-PU |
|   |                        | 5              | 158 963   | SIM-M8-4WD-5-PU   |

| Bestellangaben – Steckdosenkabel SIM-M12  |                        |                | Datenblätter → <a href="http://www.festo.com">www.festo.com</a> |                    |
|---|------------------------|----------------|---|--------------------|
|   | Elektrischer Anschluss | Kabellänge [m] | Teile-Nr.   | Typ                |
|    | M12x1, 3-polig         | 2,5            | 159 428   | SIM-M12-3GD-2,5-PU |
|   |                        | 5              | 159 429   | SIM-M12-3GD-5-PU   |
|   |                        |                |   |                    |
|   | M12x1, 4-polig         | 5              | 164 259   | SIM-M12-4GD-5-PU   |
|   |                        |                |   |                    |
|  | M12x1, 5-polig         | 2,5            | 175 715   | SIM-M12-5GD-2,5-PU |
|   |                        | 5              | 175 716   | SIM-M12-5GD-5-PU   |
|   |                        |                |   |                    |
|  | M12x1, 3-polig         | 2,5            | 159 430   | SIM-M12-3WD-2,5-PU |
|   |                        | 5              | 159 431   | SIM-M12-3WD-5-PU   |
|   |                        |                |   |                    |
|   | M12x1, 4-polig         | 5              | 164 258   | SIM-M12-4WD-5-PU   |


| Bestellangaben – Manometer MA   |  |                         |                |           |   |
|---|--|-------------------------|----------------|-----------|---|
|   | Nenngröße  | Pneumatischer Anschluss | Anzeigebereich |           | Teile-Nr. Typ   |
|   |  |                         | [bar]          | [psi]     |   |
|  | Manometer MA, DIN EN 837-1                       |                         |                |           | Datenblätter → <a href="http://www.festo.com">www.festo.com</a> |
|   | 40   | G¼                      | 0 ... 16       | 0 ... 232 | 183 901 MA-40-16-G¼-EN  |
|   | Manometer MA, DIN EN 837-1, mit Rot/Grün-Bereich |                         |                |           | Datenblätter → <a href="http://www.festo.com">www.festo.com</a> |
|   | 40   | R¼                      | 0 ... 16       | –         | 525 726 MA-40-16-R¼-E-RG  |
|   | 50   | R¼                      | 0 ... 16       | –         | 525 729 MA-50-16-R¼-E-RG  |
|   | Präzisionsmanometer MAP, DIN EN 837-1            |                         |                |           | Datenblätter → <a href="http://www.festo.com">www.festo.com</a> |
|   | 40   | R¼                      | 0 ... 1        | 0 ... 15  | 161 126 MAP-40-1-¼-EN   |
|   |  |                         | 0 ... 4        | 0 ... 58  | 162 842 MAP-40-4-¼-EN   |
|   |  |                         | 0 ... 6        | 0 ... 87  | 161 127 MAP-40-6-¼-EN   |
|   |  |                         | 0 ... 16       | 0 ... 232 | 161 128 MAP-40-16-¼-EN  |


Wartungsgeräte Baureihe MS  
Zubehör

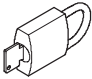
# Wartungsgeräte Baureihe MS


Zubehör

**FESTO**

| Bestellangaben – Schalldämpfer U  |                |                         | Datenblätter → <a href="http://www.festo.com">www.festo.com</a> |                                     |
|---|----------------|-------------------------|---|-------------------------------------|
|   | Beschreibung   | Pneumatischer Anschluss | Teile-Nr.   | Typ                                 |
|  | für MS4-EM1/EE | G $\frac{1}{4}$         | <b>6 842</b>  | <b>U-<math>\frac{1}{4}</math>-B</b> |
|   | für MS6-EM1/EE | G $\frac{1}{2}$         | <b>6 844</b>  | <b>U-<math>\frac{1}{2}</math>-B</b> |
|   | für MS12-EM/EE | G1                      | <b>151 990</b>  | <b>U-1-B</b>                        |

| Bestellangaben – Doppelnippel ESK   |   |                         |                 |                |  |
|---|---|-------------------------|-----------------|----------------|--|
|   | Beschreibung  | Pneumatischer Anschluss |                 | Teile-Nr.      | Typ  |
|  | verstellbar für Winkelausgleich<br>• für den nachträglichen Einbau von Druckschalter PEV oder Drucksensor SDE1 an Abzweigmodul MS-FRM | R $\frac{1}{8}$         | R $\frac{1}{4}$ | <b>534 151</b> | <b>ESK-<math>\frac{1}{8}</math>-<math>\frac{1}{4}</math></b> |
|   |   | R $\frac{1}{4}$         | R $\frac{1}{4}$ | <b>151 521</b> | <b>ESK-<math>\frac{1}{4}</math>-<math>\frac{1}{4}</math></b> |
|   |   |                         | R $\frac{1}{2}$ | <b>534 153</b> | <b>ESK-<math>\frac{1}{4}</math>-<math>\frac{1}{2}</math></b> |

| Bestellangaben – Bügelschloss LRVS-D  |  |             |                |               |
|---|--|-------------|----------------|---------------|
|   | Beschreibung                           | Gewicht [g] | Teile-Nr.      | Typ           |
|  | für Filterregel- und Druckregelventile | 120         | <b>193 786</b> | <b>LRVS-D</b> |

| Bestellangaben – Spezialöl OFSW   |              |              |                |                |
|---|--------------|--------------|----------------|----------------|
|   | Beschreibung | Lieferumfang | Teile-Nr.      | Typ            |
|  | für Öler     | 1 Liter      | <b>152 811</b> | <b>OFSW-32</b> |