







- Easy insertion of tubing
- Easy to release
- Secure connections
- Wide range of variants

Push-in fittings QS, Quick Star

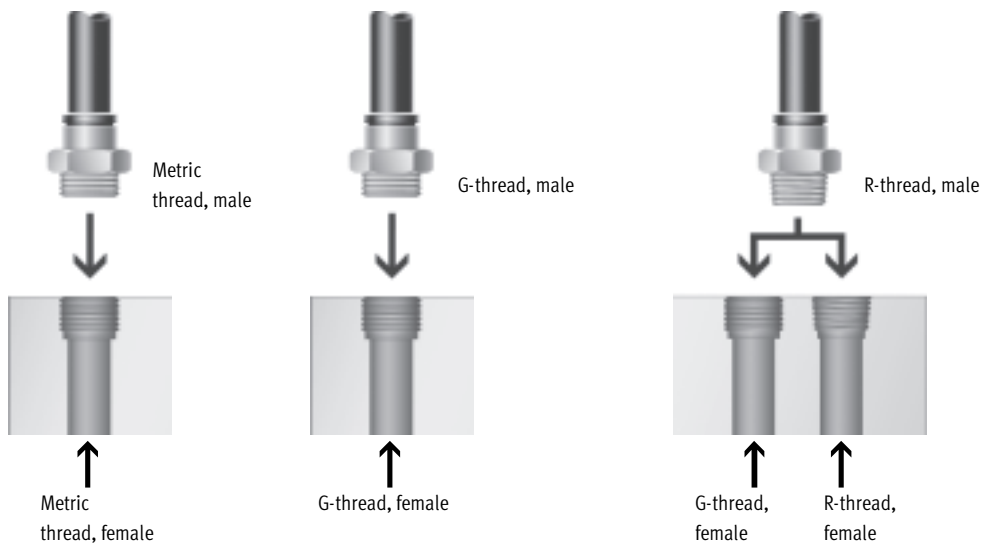
Key features



Application	Simply "plug and work"	Reliably connected	Captive seal
 <p>Effortless selection of the right fitting. Quick Star offers a secure solution for every connection. The convenient push-in fitting system includes well over 1000 types of standard and function fittings.</p>	 <p>The stainless steel retaining claw within the fitting holds the tubing securely without damaging its surface. Vibration and pressure surges are safely absorbed. The tubing can be detached easily by pressing down the blue release ring. For your convenience, the appropriate outside tubing diameter is marked on the release ring.</p>	 <p>A nitrile rubber sealing ring guarantees a perfect seal between standard OD tubing and the body of the fitting. Standard tubing is suitable for use with compressed air and vacuum.</p>	 <p>All brass parts of Festo's push-in fittings are nickel plated and are thus highly resistant to corrosion. The tapered ISO R threads have a self-sealing PTFE coating, which allows the fitting to be re-used up to five times without the need for additional sealing components.</p>

Can be repositioned 360°	360° rotatable, with ball bearing
 <p>Alignment is performed during assembly. Tube movement is compensated during use.</p>	 <p>Permits rotating motion of up to 500 rpm during use.</p>

Which fitting fit which thread?		
<p>Metric parallel thread</p> <ul style="list-style-type: none"> ■ Cylindrical metric thread is comparable with G thread ■ Sealing is guaranteed via a sealing ring ■ Sealing on front face 	<p>G parallel thread to DIN ISO 228-1</p> <ul style="list-style-type: none"> ■ Shorter thread ■ Constant installation depth ■ Replaceable sealing ring ■ Sealing on front face ■ Can be re-used a number of times thanks to replaceable sealing ring 	<p>R tapered thread to DIN 2999-1 and ISO 7/1</p> <ul style="list-style-type: none"> ■ Self-sealing thread ■ Sealing via coated threads ■ No additional sealing surface required ■ Smaller installation dimensions since there is no need for a rebate for the sealing surface ■ Can be re-used up to five times










Piping, tubing and fittings
Push-in fittings

5.4

Push-in fittings QS, Quick Star



Key features

<p>Push-in fitting QSM Quick Star, mini</p>	<p>Push-in fitting QS Quick Star, standard</p>
 <p>Miniature push-in fitting for maximum assembly in minimum fitting space. For pneumatic applications with a temperature range up to 60°C and a pressure range up to 10 bar. Tubing outside diameters of 3, 4 and 6 mm with connecting threads M3, M5, M7, R$\frac{1}{8}$ and G$\frac{1}{8}$.</p>	 <p>Wide selection of push-in fittings for pneumatic applications with a temperature range up to 60°C and a pressure range up to 10 bar. Tubing outside diameters of 4, 6, 8, 10, 12 and 16 mm with connecting threads from R$\frac{1}{8}$... R$\frac{1}{2}$ and G$\frac{1}{8}$... G$\frac{1}{2}$.</p>
<p>Push-in fitting QSM-B Quick Star, mini</p>	<p>Push-in fitting QS-B Quick Star, standard</p>
 <p>Miniature push-in fitting for maximum assembly in minimum fitting space. For core pneumatic applications with a temperature range up to 50 °C and a pressure range up to 8 bar. Tubing outside diameters of 3, 4 and 6 mm with connecting threads M3, M5, M7, R$\frac{1}{8}$ and G$\frac{1}{8}$.</p>	 <p>Push-in fittings for core pneumatic applications with a temperature range up to 50°C and a pressure range up to 8 bar. Tubing outside diameters of 4, 6, 8, 10, 12 and 16 mm with connecting threads from R$\frac{1}{8}$... R$\frac{1}{2}$.</p>
<p>Push-in fitting QS-F Quick Star, metal</p>	<p>Push-in fitting CRQS Quick Star, stainless steel</p>
 <p>Solid-metal push-in fitting with chrome plated surface coating. High corrosion resistance (CRC3) and chemical resistance with approval for use in the food and packaging industry. For pneumatic applications with a temperature range up to 150 °C and a pressure range up to 16 bar. Tubing outside diameters of 4, 6, 8, 10 and 12 mm with connecting threads M5, M7 and G$\frac{1}{8}$... G$\frac{1}{2}$.</p>	 <p>Stainless steel push-in fitting. High corrosion resistance (CRC4) and chemical resistance with approval for use in the food and packaging industry. For pneumatic applications with a temperature range up to 150°C and a pressure range up to 10 bar. Tubing outside diameters of 4, 6, 8, 10, 12 and 16 mm with connecting threads M5 and G$\frac{1}{8}$... G$\frac{1}{2}$.</p>
<p>Push-in fitting QS-V0 Quick Star, flame-retardant</p>	
 <p>Flame-retardant push-in fitting for use in all areas where there is a risk of fire, for example welding systems in the automotive industry, and in construction. For pneumatic applications with a temperature range up to 60 °C and a pressure range up to 10 bar. Tubing outside diameters of 6, 8, 10 and 12 mm with connecting threads R$\frac{1}{8}$... R$\frac{1}{2}$ and G$\frac{1}{8}$... G$\frac{1}{2}$.</p>	

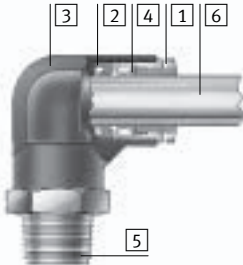
Push-in fittings QS, Quick Star

Technical data



Materials

Sectional view



	Mini QSM Standard QS	Mini QSM-B Standard QS-B
1 Release ring	Polyacetate	Polyacetate
2 Flexible sleeve	Nitrile rubber	Nitrile rubber
3 Body	Steel Polybuteneterephthalate Nickel plated brass	Polybuteneterephthalate Straight design: Nickel plated brass
4 Tube retaining claw	Stainless steel	Stainless steel
5 Threaded coupling	Nickel plated brass	Nickel plated brass M3: Stainless steel
6 Plastic tubing with standard O.D.	PAN PUN PUN-H PUN-E	PAN PUN PUN-H PUN-E

	Metal QS-F	Stainless steel CRQS	Flame-retardant QS-V0
1 Release ring	Nickel plated, chromated brass	Stainless steel	Polybutylene terephthalate (flame-retardant)
2 Flexible sleeve	Fluorocarbon rubber	Fluorocarbon rubber	Nitrile rubber
3 Body	Nickel plated, chromated brass	Stainless steel	Polybutylene terephthalate (flame-retardant)
4 Tube retaining claw	Stainless steel	Stainless steel	Stainless steel
5 Threaded coupling	Nickel plated, chromated brass	Stainless steel	Nickel plated brass
6 Plastic tubing with standard O.D.	PAN PFAN PUN PUN-H PUN-V0 PLN	PFAN PUN-H PLN PUN-V0	PAN-V0

Tubing insertion depth



Tubing O.D. [mm]	3	4	6	8	10	12	16
Mini QSM	11.5	11.5	12	–	–	–	–
Standard QS	–	15	17	18.2	20.2	23.4	24.1
Mini QSM-B	–	11.5	12	–	–	–	–
Standard QS-B	–	14.9	16.9	18.2	20.5	23.2	–

Push-in fittings QS, Quick Star

Technical data



Recommended tightening torque/screw-in depth



When using Quick Star push-in fittings with internal hex, ensure that the Allen key is not inserted too far into

the fitting to prevent the risk of damage to components behind the fitting.

Note

Malfunctions may occur with function fittings when screwed too far into the connecting thread. The insertion depth and the recommended tightening torque must be observed. Damage may otherwise occur if the recommended tightening torque is exceeded by more than 50%.

Connecting thread	Tightening torque [Nm]	Approx. screw-in depth [mm]
M thread		
M3	0.7	2.5
M5	1.5	3
M7	2	5.5
R thread		
R1/8	7	4
R1/4	12	6
R3/8	22	6.5
R1/2	28	8
G thread		
G1/8	10	4.6
G1/4	15	6.6
G3/8	25	8.1
G1/2	40	11.1

Operating and environmental conditions

	Mini QSM	Standard QS	Mini QSM-B	Standard QS-B
Operating pressure [bar]	-0.95 ... +10		-0.95 ... +8	
Operating temperature [°C]	0 ... 60		0 ... 50	
Corrosion resistance CRC ¹⁾	1		1	

	Metal QS-F	Stainless steel CRQS	Flame-retardant QS-V0
Operating pressure [bar]	-0.95 ... +16	-0.95 ... +10	-0.95 ... +10
Operating temperature [°C]	0 ... 150	0 ... 150	0 ... 60
Corrosion resistance CRC ¹⁾	3	4	2

1) Corrosion resistance class 1 according to Festo standard 940 070
 Components requiring low corrosion resistance. Transport and storage protection. Parts that do not have primarily decorative surface requirements, e.g. in internal areas that are not visible or behind covers.
 Corrosion resistance class 2 according to Festo standard 940 070
 Components requiring moderate corrosion resistance. Externally visible parts with primarily decorative surface requirements which are in direct contact with a normal industrial environment or media such as coolants or lubricating agents.
 Corrosion resistance class 3 according to Festo standard 940 070
 Components requiring higher corrosion resistance. External visible parts in direct contact with industrial atmospheres or media such as solvents and cleaning agents, with a predominantly functional requirement for the surface.
 Corrosion resistance class 4 according to Festo standard 940 070
 Components requiring higher corrosion resistance. Parts used with aggressive media, e.g. food or chemical industry. These applications should be supported with special tests with the media if required.

Push-in fittings QS, Quick Star

Technical data

FESTO




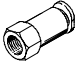

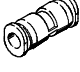
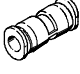




Possible push-in fitting/tubing combinations								
Type	Thread	Tubing O.D. [mm]						
		3	4	6	8	10	12	16
Mini QSM	M3	■		-	-	-	-	-
	M5		■		-	-	-	-
	M6	-	■	-	-	-	-	-
	M7	-		■	-	-	-	-
	M8	-	-	■	-	-	-	-
	R $\frac{1}{8}$	-		■	-	-	-	-
	G $\frac{1}{8}$	-		■	-	-	-	-
Standard QS	M5	-	■		-	-	-	-
	R $\frac{1}{8}$	-		■		-	-	-
	R $\frac{1}{4}$	-			■		-	-
	R $\frac{3}{8}$	-	-			■		-
	R $\frac{1}{2}$	-	-	-	-		■	
	G $\frac{1}{8}$	-		■		-	-	-
	G $\frac{1}{4}$	-	-		■		-	-
	G $\frac{3}{8}$	-	-	-		■		-
G $\frac{1}{2}$	-	-	-	-		■		
Mini QSM-B	M3	■		-	-	-	-	-
	M5		■		-	-	-	-
	M7	-		■	-	-	-	-
Standard QS-B	R $\frac{1}{8}$	-		■		-	-	-
	R $\frac{1}{4}$	-			■		-	-
	R $\frac{3}{8}$	-	-			■		-
	R $\frac{1}{2}$	-	-	-	-		■	
Flame-retardant QS-V0	R $\frac{1}{8}$	-	-	■		-	-	-
	R $\frac{1}{4}$	-	-		■		-	-
	R $\frac{3}{8}$	-	-	-		■		-
	R $\frac{1}{2}$	-	-	-	-		■	
	G $\frac{1}{8}$	-	-	■		-	-	-
	G $\frac{1}{4}$	-	-		■		-	-
	G $\frac{3}{8}$	-	-	-		■		-
G $\frac{1}{2}$	-	-	-	-		■		
Metal QS-F	M5	-	■		-	-	-	-
	M7	-		■	-	-	-	-
	G $\frac{1}{8}$	-		■		-	-	-
	G $\frac{1}{4}$	-	-		■		-	-
	G $\frac{3}{8}$	-	-	-		■		-
	G $\frac{1}{2}$	-	-	-	-		■	
Stainless steel CRQS	M5	-	■		-	-	-	-
	R $\frac{1}{8}$	-	-	■		-	-	-
	R $\frac{1}{4}$	-	-	-	■		-	-
	R $\frac{3}{8}$	-	-	-	-	■		-
	R $\frac{1}{2}$	-	-	-	-	-	■	

Possible thread/tubing O.D. combinations
 Optimum thread/tubing O.D. combinations (with regard to flow)

Push-in fittings QSM, Quick Star, mini

Product range overview



Design	Version	Type	Connection D1					Connection D2		→ Page
			M thread	R thread	G thread	Tubing O.D.	Push-in sleeve Ø	Tubing O.D.		
Straight design	Push-in fitting – Male thread with external hex									
		QSM	M3	–	–	–	–	3, 4	3 / 5.4-25	
			M5					3, 4, 6		
			–	R1/8	G1/8	–	–	4, 6		
	Push-in fitting – Male thread with internal hex									
		QSM-...-I	M3	–	–	–	–	3, 4	3 / 5.4-26	
			M5					3, 4, 6		
			M7	R1/8	G1/8			4, 6		
	Push-in fitting – Female thread with external hex									
		QSMF	M3	–	–	–	–	3, 4	3 / 5.4-27	
			M5					3, 4		
	Push-in fitting – Male thread with internal hex									
		QSMF	M6x0.75	–	–	–	–	4	3 / 5.4-27	
			M8x0.75					6		
	Push-in connector									
		QSM	–	–	–	3	–	3	3 / 5.4-28	
			4				4			
			6				6			
		QSM Reducing	–	–	–	4	–	3	3 / 5.4-28	
			6				4			
Push-in bulkhead connector										
	QSMS	–	–	–	3	–	–	3 / 5.4-28		
		4								
		6								
Push-in cap										
	QSMC	–	–	–	3	–	–	3 / 5.4-29		
Push-in connector with sleeve										
	QSM-...H	–	–	–	–	4	3	3 / 5.4-29		
		6					4			
Blanking plug										
	QSMC-...H	–	–	–	–	3	–	3 / 5.4-29		













Push-in fittings QSM, Quick Star, mini

Product range overview



Piping, tubing and fittings
Push-in fittings

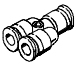
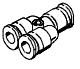
5.4

Design	Version	Type	Connection D1					Connection D2		→ Page
			M thread	R thread	G thread	Tubing O.D.	Push-in sleeve Ø	Tubing O.D.		
L-shape	Push-in L-fitting, rotatable 360° – Male thread with external hex									
		QSML	M3	–	–	–	–	–	3, 4	3 / 5.4-30
			M5						3, 4, 6	
			M7	R $\frac{1}{8}$	G $\frac{1}{8}$				4, 6	
	Push-in long L-fitting, rotatable 360° – Male thread with external hex									
		QSMLL	M3	–	–	–	–	–	3, 4	3 / 5.4-31
			M5						3, 4, 6	
			M7	R $\frac{1}{8}$	G $\frac{1}{8}$				4, 6	
	Push-in L-fitting, rotatable 360° – Male thread with internal hex									
		QSMLV-...-I	M5	–	–	–	–	–	3, 4	3 / 5.4-32
			M7						4, 6	
	Push-in long L-fitting, rotatable 360° – Male thread with internal hex									
		QSMLLV-...-I	M5	–	–	–	–	–	3, 4	3 / 5.4-32
			M7						4, 6	
Push-in L-connector										
	QSML	–	–	–	–	3	–	–	3 / 5.4-33	
		4								
		6								
Push-in L-connector with sleeve										
	QSML-...H	–	–	–	–	–	3	3	3 / 5.4-33	
		4						4		
		6						6		
	QSML-...H Reducing	–	–	–	–	–	4	3	3 / 5.4-33	
		6						4		
T-shape	Push-in T-fitting, rotatable 360° – Male thread with external hex									
		QSMT	M3	–	–	–	–	–	3, 4	3 / 5.4-34
			M5						3, 4, 6	
			–	R $\frac{1}{8}$	G $\frac{1}{8}$				4, 6	
		QSMTL	M3	–	–	–	–	–	3, 4	3 / 5.4-35
			M5						3, 4, 6	
			–	R $\frac{1}{8}$	G $\frac{1}{8}$				4, 6	
Push-in T-connector										
	QSMT	–	–	–	–	3	–	3	3 / 5.4-36	
		4						4		
		6						6		
	QSMT Reducing	–	–	–	–	4	–	3	3 / 5.4-36	
		6						4		
X-shape	Push-in X-connector									
		QSMX	–	–	–	–	3	–	–	3 / 5.4-37
			4							
			6							

Push-in fittings QSM, Quick Star, mini

Product range overview








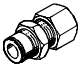


Design	Version	Type	Connection D1				Connection D2		→ Page
			M thread	R thread	G thread	Tubing O.D.	Push-in sleeve Ø	Tubing O.D.	
Y-shape	Push-in Y-connector								
		QSMY	-	-	-	3	-	3	3 / 5.4-37
						4		4	
						6		6	
	QSMY Reducing	-	-	-	4	-	3	3 / 5.4-37	
					6		4		

Push-in fittings QS, Quick Star, standard

Product range overview




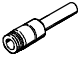
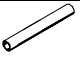
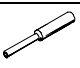




Design	Version	Type	Connection D1					Connection D2		→ Page
			M thread	R thread	G thread	Tubing O.D.	Push-in sleeve Ø	Tubing O.D.	Push-in sleeve Ø	
Straight design	Push-in fitting – Male thread with external hex									
		QS	–	R1/8 R1/4 R3/8 R1/2	G1/8 G1/4 G3/8 G1/2	–	–	4, 6, 8, 10 ¹⁾ 4 ¹⁾ , 6, 8, 10, 12 6 ¹⁾ , 8, 10, 12, 16 10 ¹⁾ , 12, 16	–	3 / 5.4-38
	Push-in fitting – Male thread with internal hex									
		QS-...-I	–	R1/8 R1/4 R3/8 R1/2	G1/8 G1/4 G3/8 G1/2	–	–	4, 6, 8, 10 ¹⁾ 6, 8, 10, 12 ¹⁾ 8, 10, 12 10 ¹⁾ , 12	–	3 / 5.4-40
	Push-in fitting – Female thread with external hex									
		QSF	–	–	G1/8 G1/4 G3/8 G1/2	–	–	4, 6, 8 4, 6, 8, 10, 12 6, 8, 10, 12 12, 16	–	3 / 5.4-41
	Push-in connector									
		QS	–	–	–	4 6 8 10 12 16	–	4 6 8 10 12 16	–	3 / 5.4-42
		QS Reducing	–	–	–	6 8 10 12	–	4 4, 6 6, 8 8, 10	–	3 / 5.4-42
	Push-in bulkhead connector									
		QSS	–	–	–	4 6 8 10 12	–	–	–	3 / 5.4-43
	Push-in bulkhead connector with fixed collar									
		QSS-...-F	–	–	–	4 6 8 10 12	–	–	–	3 / 5.4-43
	Push-in bulkhead fitting with female thread									
	QSSF	–	–	G1/8 G1/4 G3/8 G1/2	–	–	4, 6, 8 4, 6, 8, 10 6, 8, 10, 12 12, 16	–	3 / 5.4-44	

1) Only in conjunction with R thread

Push-in fittings QS, Quick Star, standard

Product range overview



Design	Version	Type	Connection D1					Connection D2		→ Page
			M thread	R thread	G thread	Tubing O.D.	Push-in sleeve ∅	Tubing O.D.	Push-in sleeve ∅	
Straight design	Push-in cap									
		QSC	–	–	–	4	–	–	–	3 / 5.4-45
						6				
						8				
						10				
						12				
	Push-in connector with sleeve									
		QS-...H	–	–	–	–	6	4	–	3 / 5.4-45
							8	4, 6		
							10	6, 8		
						12	8, 10			
Push-in sleeve										
	QSH	–	–	–	–	4	–	–	3 / 5.4-46	
						6				
						8				
						10				
						12				
	QSH Reducing	–	–	–	–	6	–	4	3 / 5.4-46	
						8		4, 6		
						10		6, 8		
						12		8, 10		
						16		12		
Blanking plug										
	QSC-...H	–	–	–	–	4	–	–	3 / 5.4-47	
						6				
						8				
						10				
						12				
						16				
L-shape	Push-in L-fitting, rotatable 360° – Male thread with external hex									
		QSL	–	R ¹ / ₈	G ¹ / ₈	–	–	4, 6, 8, 10 ¹⁾	–	3 / 5.4-48
				R ¹ / ₄	G ¹ / ₄			4 ¹⁾ , 6, 8, 10, 12		
				R ³ / ₈	G ³ / ₈			6 ¹⁾ , 8, 10, 12, 16		
				R ¹ / ₂	G ¹ / ₂			10 ¹⁾ , 12, 16 ²⁾		
	Push-in long L-fitting, rotatable 360° – Male thread with external hex									
		QSLL	–	R ¹ / ₈	G ¹ / ₈	–	–	4, 6, 8	–	3 / 5.4-50
				R ¹ / ₄	G ¹ / ₄			4 ¹⁾ , 6, 8, 10		
				R ³ / ₈	G ³ / ₈			6 ¹⁾ , 8, 10, 12		
			R ¹ / ₂	G ¹ / ₂			10 ¹⁾ , 12, 16 ²⁾			
Push-in L-fitting – Female thread with external hex										
	QSLF	–	–	G ¹ / ₈	–	–	4, 6, 8	–	3 / 5.4-51	
				G ¹ / ₄			6, 8, 10			
				G ³ / ₈			8, 10			

1) Only in conjunction with R thread
2) Only in conjunction with G thread



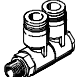
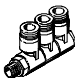




Push-in fittings QS, Quick Star, standard



Product range overview

Piping, tubing and fittings
Push-in fittings

5.4

Design	Version	Type	Connection D1					Connection D2		→ Page
			M thread	R thread	G thread	Tubing O.D.	Push-in sleeve Ø	Tubing O.D.	Push-in sleeve Ø	
L-shape	Push-in L-fitting, rotatable 360° – Male thread with internal hex									
		QSLV-...-I	–	R1/8 R1/4 R3/8 R1/2	G1/8 G1/4 G3/8 G1/2	–	–	6, 8 6, 8, 10 8, 10, 12 12	–	3 / 5.4-52
	Push-in L-fitting, rotatable 360° – Male thread with external hex									
		QSLV	M5 –	– R1/8 R1/4 R3/8 R1/2	– G1/8 G1/4 G3/8 G1/2	–	–	6 4, 6, 8 6, 8, 10 8, 10, 12 12, 16	–	3 / 5.4-53
	Multiple distributor, rotatable 360° – 2 outlets									
		QSLV2	–	R1/8 R1/4 R3/8 R1/2	G1/8 G1/4 G3/8 G1/2	–	–	4, 6, 8 6, 8, 10 8, 10, 12 12	–	3 / 5.8-9
	Multiple distributor, rotatable 360° – 3 outlets									
		QSLV3	–	R1/8 R1/4 R3/8 R1/2	G1/8 G1/4 G3/8 G1/2	–	–	4, 6, 8 6, 8, 10 8, 10, 12 12	–	3 / 5.8-10
	Multiple distributor, rotatable 360° – 4 outlets									
		QSLV4	–	R1/8 R1/4 R3/8 R1/2	G1/8 G1/4 G3/8 G1/2	–	–	4, 6, 8 6, 8, 10 8, 10, 12 12	–	3 / 5.8-11
	Multiple distributor, rotatable 360° – 6 outlets									
		QSLV6	–	R1/8 R1/4 R3/8 R1/2	G1/8 G1/4 G3/8 G1/2	–	–	4, 6, 8 6, 8, 10 8, 10, 12 12	–	3 / 5.8-12
	Multiple distributor, rotatable 360° – 4 outlets									
		QSQ	–	R1/8 R1/4	G1/8 G1/4	–	–	4, 6 4, 6	–	3 / 5.8-13
	QSQ Reducing	–	–	–	6 8	–	4 6	–	3 / 5.8-13	

Push-in fittings QS, Quick Star, standard

Product range overview



Design	Version	Type	Connection D1					Connection D2		→ Page	
			M thread	R thread	G thread	Tubing O.D.	Push-in sleeve Ø	Tubing O.D.	Push-in sleeve Ø		
L-shape	Push-in L-connector										
		QSL	-	-	-	4	-	-	-	3 / 5.4-55	
						6					
						8					
						10					
						12					
						16					
	Push-in L-connector with sleeve										
		QSL-...H	-	-	-	-	4	4	-	3 / 5.4-56	
							6	6			
							8	8			
							10	10			
12							12				
	QSL-...H Reducing	-	-	-	-	6	4	-	3 / 5.4-56		
						8	6				
						10	8				
						12	10				
	QSL-...HL Long push-in sleeve	-	-	-	-	4	4	-	3 / 5.4-56		
						6	6				
						8	8				
						10	10				
						12	12				
T-shape	Push-in T-fitting, rotatable 360° – Male thread with external hex										
		QST	-	R ¹ / ₈	G ¹ / ₈	-	-	-	4, 6, 8, 10 ¹⁾	-	3 / 5.4-57
				R ¹ / ₄	G ¹ / ₄				4 ¹⁾ , 6, 8, 10, 12 ¹⁾		
				R ³ / ₈	G ³ / ₈				6 ¹⁾ , 8, 10, 12, 16		
				R ¹ / ₂	G ¹ / ₂				10, ¹⁾ 12, 16		
	Push-in T-connector										
		QST	-	-	-	4	-	4	-	3 / 5.4-59	
						6		6			
						8		8			
						10		10			
						12		12			
16						16					
	QST Reducing	-	-	-	6	-	4	-	3 / 5.4-59		
					8		4, 6				
					10		6, 8				
					12		8, 10				
					16		12				

1) Only in conjunction with R thread

Push-in fittings QS, Quick Star, standard

Product range overview



Design	Version	Type	Connection D1				Connection D2		Connection D3	→ Page
			R thread	G thread	Tubing O.D.	Push-in sleeve ∅	Tubing O.D.	Push-in sleeve ∅	Tubing O.D.	
T-shape	Multiple distributor, rotatable 360° – 3 outlets									
		QST3	R 1/8	G 1/8	–	–	6	–	4	3 / 5.8-14
			R 1/4	G 1/4	–	–	8	–	6	
			R 3/8	G 3/8	–	–	10	–	8	
		QST3 Reducing	–	–	6	–	6	–	4	3 / 5.8-14
			–	–	8	–	8	–	6	
–			–	10	–	10	–	8		

Design	Version	Type	Connection D1				Connection D2		→ Page	
			M thread	R thread	G thread	Tubing O.D.	Push-in sleeve ∅	Tubing O.D.		Push-in sleeve ∅
T-shape	Push-in T-fitting, rotatable 360° – Male and female thread with external hex									
		QSTF	–	R 1/8	G 1/8	–	–	4, 6, 8	–	3 / 5.4-60
			–	R 1/4	G 1/4	–	–	6, 8, 10	–	
			–	R 3/8	G 3/8	–	–	8, 10, 12	–	
			–	R 1/2	G 1/2	–	–	12	–	
	Push-in T-fitting, rotatable 360° – Male thread with external hex									
		QSTL	–	R 1/8	G 1/8	–	–	4, 6, 8	–	3 / 5.4-61
			–	R 1/4	G 1/4	–	–	6, 8, 10	–	
			–	R 3/8	G 3/8	–	–	8, 10, 12	–	
			–	R 1/2	G 1/2	–	–	12, 16	–	
Angled design	Push-in fitting – Male thread with external hex									
		QSW	–	R 1/8	–	–	–	4, 6, 8	–	3 / 5.4-63
			–	R 1/4	–	–	–	6, 8, 10	–	
			–	R 3/8	–	–	–	10, 12	–	
			–	R 1/2	–	–	–	12, 16	–	
	Push-in connector with sleeve									
		QSW-HL	–	–	–	–	4	4	–	3 / 5.4-63
			–	–	–	–	6	6	–	
			–	–	–	–	8	8	–	
			–	–	–	–	10	10	–	
–			–	–	–	12	12	–		
X-shape	Push-in X-connector									
		QSX	–	–	–	8	–	–	–	3 / 5.4-64
			–	–	–	10	–	–	–	
–			–	–	12	–	–	–		


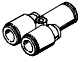

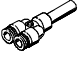
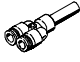
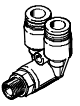


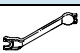
Piping, tubing and fittings
Push-in fittings

5.4

Push-in fittings QS, Quick Star, standard

Product range overview







Design	Version	Type	Connection D1					Connection D2		→ Page	
			M thread	R thread	G thread	Tubing O.D.	Push-in sleeve ∅	Tubing O.D.	Push-in sleeve ∅		
Y-shape	Push-in Y-fitting, rotatable 360° – Male thread with external hex										
		QSY	M5	–	–	–	–	–	4, 6	–	3 / 5.4-65
				R $\frac{1}{8}$	G $\frac{1}{8}$	–	–	4, 6, 8			
				R $\frac{1}{4}$	G $\frac{1}{4}$	–	–	4 ¹⁾ , 6, 8, 10			
				R $\frac{3}{8}$	G $\frac{3}{8}$	–	–	8, 10, 12			
				R $\frac{1}{2}$	G $\frac{1}{2}$	–	–	12			
	Push-in Y-connector										
		QSY	–	–	–	–	4	–	4	–	3 / 5.4-67
							6	6			
							8	8			
	10						10				
	12						12				
	QSY Reducing	–	–	–	–	6	–	4	–	3 / 5.4-67	
						8	4, 6				
						10	6, 8				
						12	8, 10				
						16	12				
Push-in Y-connector with sleeve											
	QSY-...H	–	–	–	–	4	–	4	–	3 / 5.4-68	
						6	6				
						8	8				
						10	10				
						12	12				
	QSY-...H Reducing	–	–	–	–	6	–	4	–	3 / 5.4-68	
						8	6				
						10	8				
						12	10				
						16	10				
Push-in Y-fitting, rotatable 360° – Male thread with external hex											
	QSYL	–	R $\frac{1}{8}$	G $\frac{1}{8}$	–	–	–	4, 6, 8	–	3 / 5.4-69	
			R $\frac{1}{4}$	G $\frac{1}{4}$	–	–	6, 8, 10				
			R $\frac{3}{8}$	G $\frac{3}{8}$	–	–	8, 10, 12				
			R $\frac{1}{2}$	G $\frac{1}{2}$	–	–	12				
Push-in Y-fitting, rotatable 360° – Male thread with external hex											
	QSYLV	–	R $\frac{1}{8}$	G $\frac{1}{8}$	–	–	–	6	–	3 / 5.4-70	
			R $\frac{1}{4}$	G $\frac{1}{4}$	–	–	8				
			R $\frac{3}{8}$	G $\frac{3}{8}$	–	–	10				
			R $\frac{1}{2}$	G $\frac{1}{2}$	–	–	12				
Push-in Y-fitting – Male and female thread with external hex											
	QSYTF	–	R $\frac{1}{8}$	G $\frac{1}{8}$	–	–	–	6	–	3 / 5.4-71	
			R $\frac{1}{4}$	G $\frac{1}{4}$	–	–	8				
			R $\frac{3}{8}$	G $\frac{3}{8}$	–	–	10				
			R $\frac{1}{2}$	G $\frac{1}{2}$	–	–	12				
Release tool	Quick-release tool for QS push-in fittings and connectors										
		QSO	–								3 / 5.4-103

1) Only in conjunction with R thread

Push-in fittings QSM-B, Quick Star, mini

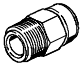

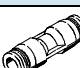
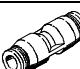
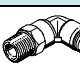




Product range overview

Design	Version	Type	Connection D1	Connection D2	→ Page
			M thread	Tubing O.D.	
Straight design 	Push-in fitting – Male thread with external hex				
	QSM-B	M3	4	3 / 5.4-72	
		M5	4, 6		
	Push-in fitting – Male thread with internal hex				
		QSM-B-...-I	M3	4	3 / 5.4-72
			M5	4, 6	
M7			4, 6		
L-shape 	Push-in L-fitting, rotatable 360° – Male thread with external hex				
	QSM-L-B	M3	4	3 / 5.4-73	
		M5	4, 6		
T-shape 	Push-in T-fitting, rotatable 360° – Male thread with external hex				
	QSM-T-B	M3	4	3 / 5.4-73	
		M5	4, 6		

Piping, tubing and fittings
Push-in fittings


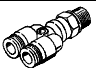

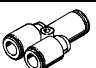
Push-in fittings QS-B, Quick Star

Product range overview

Design	Version	Type	Connection D1		Connection D2	→ Page
			R thread	Tubing O.D.	Tubing O.D.	
Straight design	Push-in fitting – Male thread with external hex					
		QS-B	R1/8	-	4, 6, 8	3 / 5.4-74
			R1/4		4, 6, 8	
			R3/8		6, 8, 10	
			R1/2		10, 12	
	Push-in fitting – Male thread with internal hex					
		QS-B-...-I	R1/8	-	4, 6, 8	3 / 5.4-74
			R1/4		6, 8	
			R3/8		8, 10	
			R1/2		10, 12	
	Push-in connector					
		QS-B	-	4	4	3 / 5.4-75
6				6		
8				8		
10				10		
12				12		
	QS-B Reducing	-	6	4	3 / 5.4-75	
			8	6		
			10	8		
			12	10		
L-shape	Push-in L-fitting, rotatable 360° – Male thread with external hex					
		QSL-B	R1/8	-	4, 6, 8	3 / 5.4-75
			R1/4		4, 6, 8	
			R3/8		6, 8, 10	
			R1/2		10, 12	
	Push-in long L-fitting, rotatable 360° – Male thread with external hex					
		QSL-B	R1/8	-	4, 6, 8	3 / 5.4-76
			R1/4		6, 8	
			R3/8		6, 8, 10	
			R1/2		10, 12	
	Push-in L-connector					
		QSL-B	-	4	-	3 / 5.4-76
6						
8						
10						
12						
T-shape	Push-in T-fitting, rotatable 360° – Male thread with external hex					
		QST-B	R1/8	-	4, 6, 8	3 / 5.4-77
			R1/4		4, 6, 8	
			R3/8		6, 8, 10	
			R1/2		10, 12	
	Push-in T-connector					
		QST-B	-	4	4	3 / 5.4-77
				6	6	
				8	8	
				10	10	
				12	12	

Push-in fittings QS-B, Quick Star

Product range overview

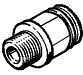

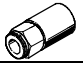
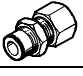



Design	Version	Type	Connection D1		Connection D2	→ Page
			R thread	Tubing O.D.	Tubing O.D.	
T-shape 	Push-in T-fitting, rotatable 360° – Male thread with external hex					
	QSTL-B	R1/8	-		4, 6, 8	3 / 5.4-78
		R1/4			4, 6, 8	
		R3/8			6, 8, 10	
		R1/2			10, 12	
Y-shape 	Push-in Y-fitting, rotatable 360° – Male thread with external hex					
	QSY-B	R1/8	-		4, 6, 8	3 / 5.4-79
		R1/4			4, 6, 8	
		R3/8			6, 8, 10	
		R1/2			10, 12	
	Push-in Y-connector					
		QSY-B	-		4	4
6					6	
8					8	
10					10	
12					12	
	QSY-B Reducing	-		6	4	3 / 5.4-80
				8	6	
				10	8	
				12	10	

Piping, tubing and fittings
Push-in fittings

Push-in fittings QS-F, Quick Star, metal

Product range overview



Design	Version	Type	Connection D1					Connection D2		→ Page	
			M thread	R thread	G thread	Tubing O.D.	Push-in sleeve ∅	Tubing O.D.	Push-in sleeve ∅		
Straight design	Push-in fitting – Male thread with external hex										
		QS-F	M5	-	-	-	-	-	4, 6	-	3 / 5.4-81
			M7		-				4, 6		
			-		G1/8				4, 6, 8		
					G1/4				6, 8, 10, 12		
					G3/8				8, 10, 12		
					G1/2				10, 12		
	Push-in fitting – Male thread with internal hex										
		QS-F....I	M5	-	-	-	-	-	4, 6	-	3 / 5.4-82
			M7		-				4, 6		
			-		G1/8				4, 6, 8		
					G1/4				8, 10		
					G3/8				12		
	Push-in fitting – Female thread with external hex										
		QSF-F	-	-	G1/8	-	-	-	4, 6, 8	-	3 / 5.4-82
			G1/4		4, 6, 8						
Push-in bulkhead fitting – Female thread with external hex											
	QSSF-F	-	-	G1/8	-	-	-	4, 6, 8	-	3 / 5.4-83	
				G1/4				6, 8			
Push-in fitting with sleeve											
	QS-F...H	M5	-	-	-	-	-	4, 6	-	3 / 5.4-84	
		M7		-				4, 6			
		-		G1/8				4, 6, 8			
				G1/4				6, 8, 10, 12			
				G3/8				8, 10, 12			
				G1/2				10, 12			
Push-in connector											
	QS-F	-	-	-	-	-	-	4	-	3 / 5.4-85	
				6							
				8							
				10							
				12							
Push-in bulkhead connector											
	QSS-F	-	-	-	-	-	-	4	-	3 / 5.4-88	
				6							
				8							
				10							
				12							

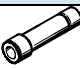
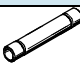
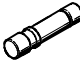


Push-in fittings QS-F, Quick Star, metal

Product range overview



Piping, tubing and fittings
Push-in fittings

5.4

Design	Version	Type	Connection D1					Connection D2		→ Page
			M thread	R thread	G thread	Tubing O.D.	Push-in sleeve Ø	Tubing O.D.	Push-in sleeve Ø	
Straight design	Push-in connector with sleeve									
		QS-F-...H	-	-	-	4	-	-	6	3 / 5.4-85
						4			8	
						6			8	
						4			10	
						6			10	
						8			10	
						6			12	
						8			12	
						10			12	
Push-in sleeve										
	QSH-F	-	-	-	-	4	-	-	3 / 5.4-86	
						6				
						8				
						10				
						12				
Blanking plug										
	QSC-F-...H	-	-	-	-	4	-	-	3 / 5.4-86	
						6				
						8				
						10				
						12				
L-shape	Push-in L-fitting, rotatable 360° – Male thread with external hex									
		QSL-F	M5	-	-	-	-	4, 6	-	3 / 5.4-87
			M7	-	-	-	-	4, 6	-	
			-	-	G1/8	-	-	4, 6, 8	-	
					G1/4	-	-	6, 8, 10, 12	-	
					G3/8	-	-	8, 10, 12	-	
					G1/2	-	-	10, 12	-	
	Push-in L-connector									
		QSL-F	-	-	-	-	4	-	-	3 / 5.4-88
							6			
						8				
						10				
						12				

Push-in fittings QS-F, Quick Star, metal

Product range overview



Design	Version	Type	Connection D1					Connection D2		→ Page	
			M thread	R thread	G thread	Tubing O.D.	Push-in sleeve ∅	Tubing O.D.	Push-in sleeve ∅		
T-shape	Push-in T-fitting, rotatable 360° – Male thread with external hex										
		QST-F	M5	-	-	-	-	-	4, 6	-	3 / 5.4-89
			M7		-				4, 6		
			-		G1/8				4, 6, 8		
			G1/4		6, 8, 10, 12						
			G3/8		8, 10, 12						
			G1/2		10, 12						
	Push-in T-connector										
		QST-F	-	-	-	-	-	-	4	-	3 / 5.4-90
			-		6						
-			8								
-			10								
-			12								
	QST-F Reducing	-	-	-	-	-	-	6	-	3 / 5.4-90	
		-		8							
		-		10							
		-		12							
		-		10							
Y-shape	Push-in Y-connector										
		QSY-F	-	-	-	-	-	-	6	-	3 / 5.4-90
			-		8						
			-		10						
		QSY-F Reducing	-	-	-	-	-	-	6	-	3 / 5.4-90
			-		8						
			-		6						
-			10								







Push-in fittings CRQS, Quick Star, stainless steel



Product range overview

Piping, tubing and fittings
Push-in fittings

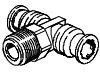


5.4

Design	Version	Type	Connection D1					Connection D2		→ Page	
			M thread	R thread	G thread	Tubing O.D.	Push-in sleeve Ø	Tubing O.D.	Push-in sleeve Ø		
Straight design	Push-in fitting – Male thread with internal and external hex										
		CRQS	M5x0,8	–	–	–	–	–	4, 6	–	3 / 5.4-91
			–	R1/8	–	–	–	–	6, 8	–	
			–	R1/4	–	–	–	–	8, 10	–	
			–	R3/8	–	–	–	–	10, 12	–	
			–	R1/2	–	–	–	–	12, 16	–	
	Push-in connector										
		CRQS	–	–	–	–	–	4	–	4	3 / 5.4-92
			–	–	–	–	–	6	–	6	
			–	–	–	–	–	8	–	8	
–			–	–	–	–	10	–	10		
–			–	–	–	–	12	–	12		
	CRQS reducing	–	–	–	–	–	6	–	4	3 / 5.4-92	
		–	–	–	–	–	8	–	6		
		–	–	–	–	–	10	–	8		
		–	–	–	–	–	12	–	10		
		–	–	–	–	–	16	–	12		
Push-in bulkhead connector											
	CRQSS	–	–	–	–	–	4	–	4	3 / 5.4-92	
		–	–	–	–	–	6	–	6		
		–	–	–	–	–	8	–	8		
		–	–	–	–	–	10	–	10		
		–	–	–	–	–	12	–	12		
L-shape	Push-in L-fitting, rotatable 360° – Male thread with external hex										
		CRQSL	M5x0,8	–	–	–	–	–	–	4, 6	3 / 5.4-93
			–	R1/8	–	–	–	–	–	6, 8	
			–	R1/4	–	–	–	–	–	8, 10	
			–	R3/8	–	–	–	–	–	10, 12	
			–	R1/2	–	–	–	–	–	12, 16	
	Push-in L-connector										
		CRQSL	–	–	–	–	–	–	–	–	3 / 5.4-94
			–	–	–	–	–	–	–	–	
			–	–	–	–	–	–	–	–	
–			–	–	–	–	–	–	–		
–			–	–	–	–	–	–	–		

Push-in fittings CRQS, Quick Star, stainless steel

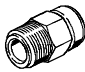
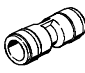




Product range overview



Design	Version	Type	Connection D1					Connection D2		→ Page
			M thread	R thread	G thread	Tubing O.D.	Push-in sleeve Ø	Tubing O.D.	Push-in sleeve Ø	
T-shape	Push-in T-fitting, rotatable 360° – Male thread with external hex									
		CRQST	M5x0,8	–	–	–	–	–	4, 6	–
		–	R1/8					6, 8		
				R1/4				8, 10		
				R3/8				10, 12		
				R1/2				12, 16		
T-shape	Push-in T-connector									
		CRQST	–	–	–	4	–	–	–	3 / 5.4-96
					6					
					8					
					10					
					12					
					16					
Y-shape	Push-in Y-connector									
		CRQSY	–	–	–	4	–	–	–	3 / 5.4-96
					6					
					8					
					10					
					12					
					16					

Push-in fittings QS-V0, Quick Star, flame-retardant



Design	Version	Type	Connection D1					Connection D2		→ Page	
			M thread	R thread	G thread	Tubing O.D.	Push-in sleeve Ø	Tubing O.D.	Push-in sleeve Ø		
Flame-retardant to UL94V0 – For plastic tubing PAN/PUN-V0											
Straight design	Push-in fitting – Male thread with external hex										
		QS-V0	–	R1/8	G1/8	–	–	–	6, 8	–	3 / 5.4-97
				R1/4	G1/4				6, 8, 10, 12		
				R3/8	G3/8				8, 10, 12		
				R1/2	G1/2				10, 12		
	Push-in connector										
		QS-V0	–	–	–	–	6	–	–	–	3 / 5.4-98
							8				
							10				
							12				
L-shape	Push-in L-fitting – Male thread with external hex										
		QSL-V0	–	R1/8	G1/8	–	–	–	6, 8	–	3 / 5.4-99
				R1/4	G1/4				6, 8, 10, 12		
				R3/8	G3/8				8, 10, 12		
				R1/2	G1/2				10, 12		
	Push-in L-connector										
		QSL-V0	–	–	–	–	6	–	–	–	3 / 5.4-100
							8				
							10				
							12				
T-shape	Push-in T-fitting – Male thread with external hex										
		QST-V0	–	R1/8	G1/8	–	–	–	6, 8	–	3 / 5.4-101
				R1/4	G1/4				6, 8, 10, 12		
				R3/8	G3/8				8, 10, 12		
				R1/2	G1/2				10, 12		
	Push-in T-connector										
		QST-V0	–	–	–	–	6	–	–	–	3 / 5.4-102
							8				
							10				
							12				

Push-in fittings QSM, Quick Star, mini

Technical data

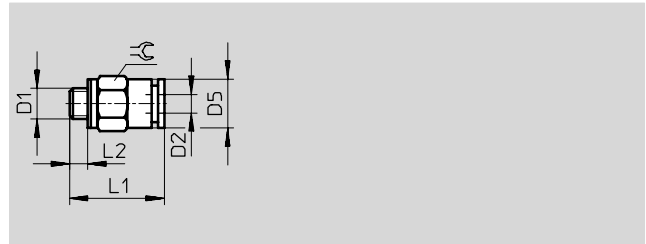


Push-in fitting QSM

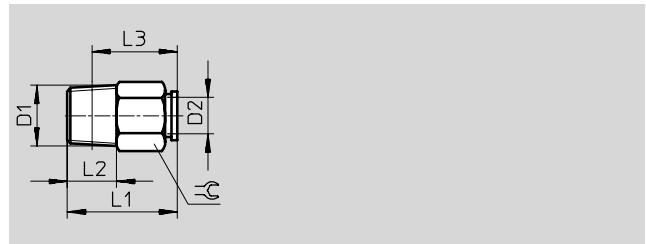
Male thread
with external hex



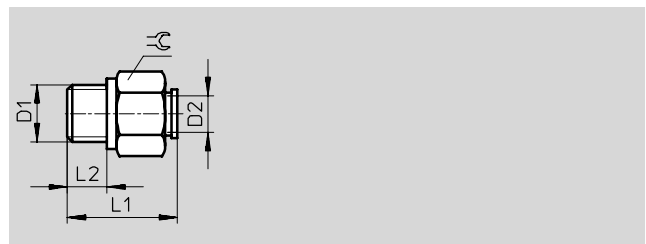
M thread



R thread



G thread



Dimensions and ordering data											
Connection	Nominal size	Tubing O.D.	D5	L1	L2	L3	⌀	Weight/ piece [g]	Part No.	Type	PU*
D1	[mm]	D2	∅								
Metric thread with sealing ring											
M3	1.2	3	5.5	13	3	-	5.5	1	153 301	QSM-M3-3	10
		4	8	16	3	-	8	2	130 775	QSM-M3-3-100	100
	1.2	4	8	16	3	-	8	2	153 303	QSM-M3-4	10
		100	130 776	QSM-M3-4-100	100						
M5	2	3	8	15.5	3.5	-	8	4	153 302	QSM-M5-3	10
		100	130 777	QSM-M5-3-100	100						
	2.4	4	8	16	3.5	-	8	3.5	153 304	QSM-M5-4	10
		100	130 778	QSM-M5-4-100	100						
	2.4	6	10	17.5	3.5	-	10	5	153 306	QSM-M5-6	10
		100	130 779	QSM-M5-6-100	100						
R thread											
R1/8	3	4	-	16	8	12	10	6	153 305	QSM-1/8-4	10
		100	130 755	QSM-1/8-4-100	100						
	4.6	6	-	18	8	14	10	6	153 307	QSM-1/8-6	10
		100	130 756	QSM-1/8-6-100	100						
G thread with sealing ring											
G1/8	3	4	-	15.9	4.6	-	13	-	186 264	QSM-G1/8-4	10
	100	186 265	QSM-G1/8-6	10							

* Packaging unit quantity

Core Range

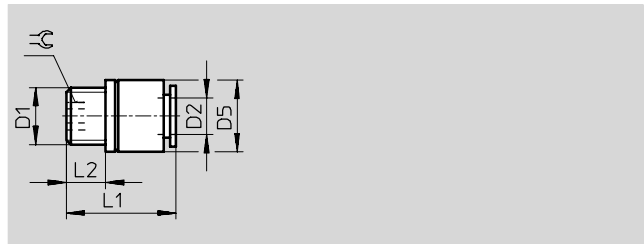
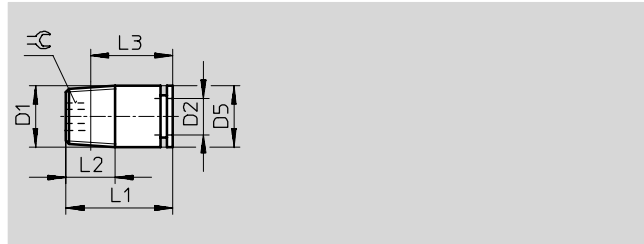
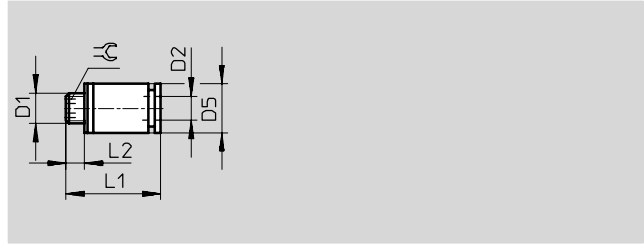
Push-in fittings QSM, Quick Star, mini

Technical data



Push-in fitting QSM-...-I

Male thread
with internal hex



Piping, tubing and fittings
Push-in fittings

5.4

Dimensions and ordering data											
Connection	Nominal size	Tubing O.D.	D5	L1	L2	L3	⌀	Weight/ piece	Part No.	Type	PU*
D1	[mm]	D2	∅					[g]			
Metric thread with sealing ring											
M3	1.5	3	8	15.5	3	-	1.5	3	153 312	QSM-M3-3-I	10
	1.5	4	8	16	3	-	1.5	3	153 314	QSM-M3-4-I	10
M5	2.2	3	8	15.5	3.5	-	2	3	153 313	QSM-M5-3-I	10
	2.6	4	8	16.5	3.5	-	2.5	4	153 315	QSM-M5-4-I	10
	2.6	6	9.8	18	3.5	-	2.5	5	153 317	QSM-M5-6-I	10
M7	3.1	4	9.8	18.9	6	-	3	4	153 319	QSM-M7-4-I	10
	4.2	6	9.8	20.9	6	-	4	5	153 321	QSM-M7-6-I	10
R thread											
R $\frac{1}{8}$	3.1	4	10	16	8	11.5	3	6	153 316	QSM-R $\frac{1}{8}$ -4-I	10
	4.2	6	10	18	8	13.5	4	6	153 318	QSM-R $\frac{1}{8}$ -6-I	10
G thread with sealing ring											
G $\frac{1}{8}$	3.1	4	13	15.9	4.6	-	3	-	186 266	QSM-G $\frac{1}{8}$ -4-I	10
	4.2	6	13	17.9	4.6	-	4	-	186 267	QSM-G $\frac{1}{8}$ -6-I	10

* Packaging unit quantity

Core Range

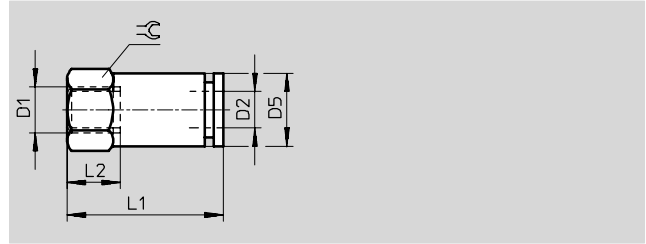
Push-in fittings QSM, Quick Star, mini



Technical data

Push-in fitting QSMF

Female thread
with external hex

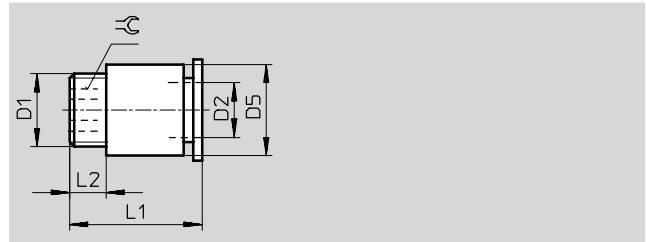


Dimensions and ordering data										
Connection	Nominal size	Tubing O.D.	D5	L1	L2	⌀	Weight/piece	Part No.	Type	PU*
D1	[mm]	D2	∅				[g]			
Metric thread with sealing ring										
M3	2	3	5.5	13	3	5.5	1.5	153 308	QSMF-M3-3	10
	3	4	8	14.5	3	8	3	153 310	QSMF-M3-4	10
M5	2	3	8	15	5	8	4	153 309	QSMF-M5-3	10
	3	4	8	17.5	5	8	4	153 311	QSMF-M5-4	10

* Packaging unit quantity

Push-in fitting QSMP

Male thread
with internal hex



Dimensions and ordering data										
Connection	Tubing O.D.	D5	L1	L2	⌀	Weight/piece	Part No.	Type	PU*	
D1	D2	∅				[g]				
Metric thread with sealing ring										
M6x0.75	4	8	14.5	3.5	2.5	3	153 320	QSMP-M6-4	10	
M8x0.75	6	10	15	4	4	4	153 322	QSMP-M8-6	10	

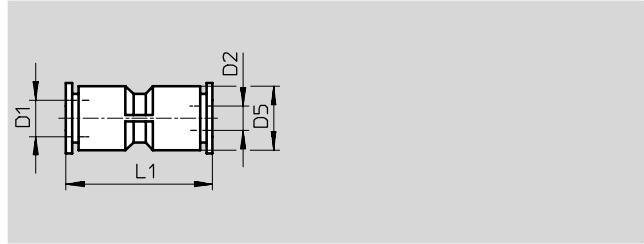
* Packaging unit quantity

Push-in fittings QSM, Quick Star, mini

Technical data



Push-in connector QSM



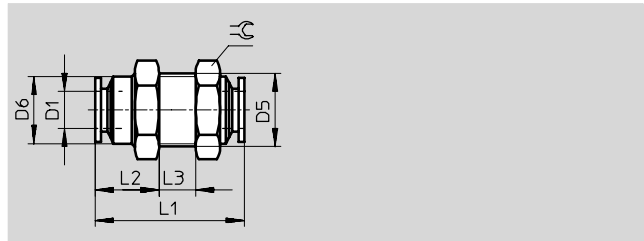
Dimensions and ordering data								
Tubing O.D. D1	Nominal size [mm]	Tubing O.D. D2	D5 ∅	L1	Weight/piece [g]	Part No.	Type	PU*
3	2	3	6	20	1.5	153 323	QSM-3	10
						130 757	QSM-3-100	100
4	3	4	8	23.5	2	153 324	QSM-4	10
						130 758	QSM-4-100	100
6	4	6	10.5	25	4	153 325	QSM-6	10
						130 759	QSM-6-100	100
Reducing								
4	2	3	8	23.5	3	153 326	QSM-4-3	10
						130 760	QSM-4-3-100	100
6	3	4	10.5	25	4	153 327	QSM-6-4	10
						130 761	QSM-6-4-100	100

* Packaging unit quantity

Piping, tubing and fittings
Push-in fittings

5.4

Push-in bulkhead connector QSMS



Dimensions and ordering data											
Tubing O.D. D1	Nominal size [mm]	D5	D6 ∅	L1	L2	L3	⌀	Weight/ piece [g]	Part No.	Type	PU*
3	2	M8x0.75	7	19.5	7	7.5	10	3	153 375	QSMS-3	10
4	3	M10x1	9	24	9.5	7.5	12	6	153 376	QSMS-4	10
									130 780	QSMS-4-100	100
6	4	M12x1	11	25	11	6	14	9	153 377	QSMS-6	10
									130 781	QSMS-6-100	100

* Packaging unit quantity

Core Range

Push-in fittings QSM, Quick Star, mini

Technical data



Push-in cap QSMC

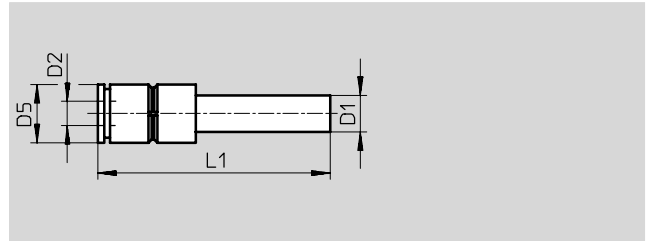


Ordering data

Tubing O.D.	Weight/piece [g]	Part No.	Type	PU*
3	0.5	153 381	QSMC-3	10

* Packaging unit quantity

Push-in connector QSM-...H with push-in sleeve

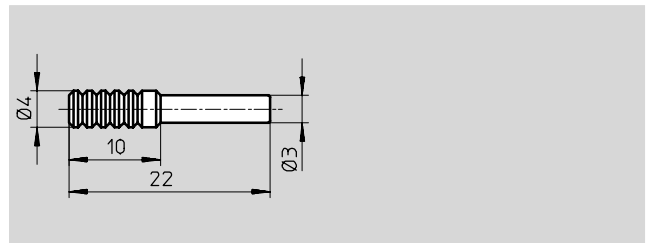


Dimensions and ordering data

Push-in sleeve Ø D1	Nominal size [mm]	Tubing O.D. D2	D5 Ø	L1	Weight/piece [g]	Part No.	Type	PU*
4	2.5	3	8	34	1.5	153 328	QSM-4H-3	10
						130 762	QSM-4H-3-100	100
6	3	4	9.5	39	2.5	153 329	QSM-6H-4	10
						130 763	QSM-6H-4-100	100

* Packaging unit quantity

Blanking plug QSMC-...H



Ordering data

Push-in sleeve Ø	Weight/piece [g]	Part No.	Type	PU*
3	0.5	153 382	QSMC-3H	10

* Packaging unit quantity

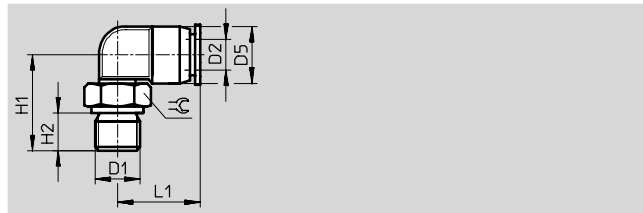
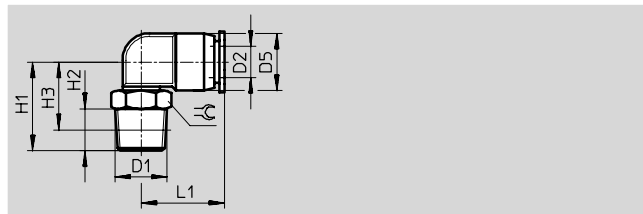
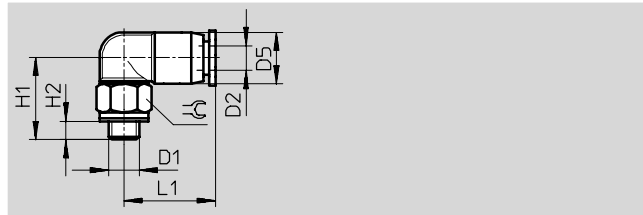
Push-in fittings QSM, Quick Star, mini

Technical data



Push-in L-fitting QSML

360° rotatable
Male thread
with external hex



Dimensions and ordering data													
Connection	Nominal size	Tubing O.D.	D5	H1	H2	H3	L1	≈	Weight/ piece	Part No.	Type	PU*	
D1	[mm]	D2	∅						[g]				
Metric thread with sealing ring													
M3	1.2	3	6.5	12	3	-	11	5.5	1.5	153 330	QSML-M3-3	10	
										130 768	QSML-M3-3-100	100	
	1.2	4	8.5	14	3	-	15.5	8	3	153 332	QSML-M3-4	10	
										130 769	QSML-M3-4-100	100	
M5	1.2	3	6.5	13.5	3.5	-	11	8	3	153 331	QSML-M5-3	10	
										130 770	QSML-M5-3-100	100	
	2.4	4	8.5	13.5	3.5	-	15.5	8	3	153 333	QSML-M5-4	10	
										130 771	QSML-M5-4-100	100	
	2.4	6	11	14.5	3.5	-	16.5	8	4	153 335	QSML-M5-6	10	
										130 772	QSML-M5-6-100	100	
M7	3	4	8	17	6	-	15.7	10	-	186 352	QSML-M7-4	10	
										130 773	QSML-M7-4-100	100	
	4	6	10.5	18	6	-	16.3	10	-	186 353	QSML-M7-6	10	
										130 774	QSML-M7-6-100	100	
R thread													
R1/8	3	4	8.5	16	8	12	16	10	6	153 334	QSML-1/8-4	10	
										130 764	QSML-1/8-4-100	100	
	4	6	11	17	8	13	16.5	10	7	153 336	QSML-1/8-6	10	
										130 765	QSML-1/8-6-100	100	
G thread with sealing ring													
G1/8	3	4	8	16	4.6	-	15.7	13	-	186 268	QSML-G1/8-4	10	
	4	6	10.5	17	4.6	-	16.3	13	-	186 269	QSML-G1/8-6	10	

* Packaging unit quantity

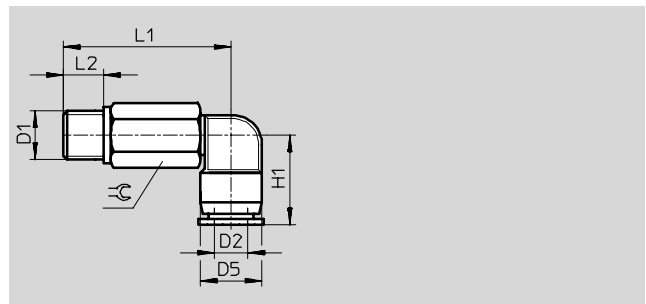
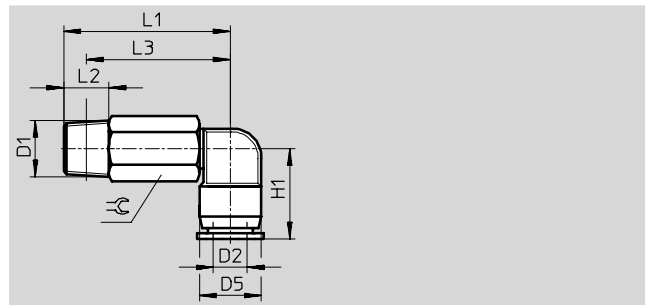
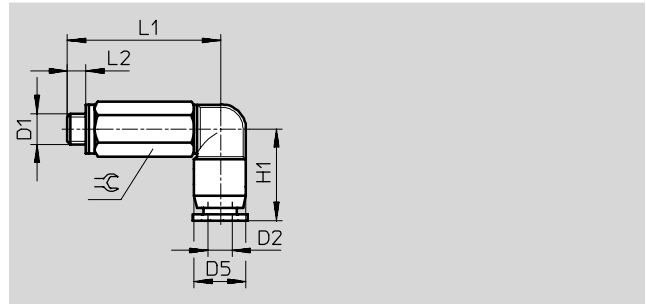
Core Range

Push-in fittings QSM, Quick Star, mini

Technical data

Push-in long L-fitting QSMLL

360° rotatable
Male thread
with external hex



Dimensions and ordering data												
Connection	Nominal size	Tubing O.D.	D5	H1	L1	L2	L3	≈	Weight/ piece	Part No.	Type	PU*
D1	[mm]	D2	∅						[g]			
Metric thread with sealing ring												
M3	1.2	3	6	11	19	2.4	–	5.5	2.5	153 337	QSMLL-M3-3	10
	1.2	4	8.5	15.5	23	2.4	–	8	7	153 338	QSMLL-M3-4	10
M5	–	3	6	11	25,5	3.5	–	8	7,6	130 838	QSMLL-M5-3	10
	2.4	4	8.5	15.5	25	2.9	–	8	8.5	153 339	QSMLL-M5-4	10
	2.4	6	11	16.5	26	2.9	–	8	9	153 341	QSMLL-M5-6	10
M7	3	4	8	15.7	29.5	5.4	–	10	13	186 354	QSMLL-M7-4	10
	4	6	10.5	16.3	30.5	5.4	–	10	14	186 355	QSMLL-M7-6	10
R thread												
R1/8	4	4	8.5	15.5	28.5	8	22	10	13	153 340	QSMLL-1/8-4	10
	4	6	11	16.5	29.5	8	25.5	10	14	153 342	QSMLL-1/8-6	10
G thread with sealing ring												
G1/8	3	4	8	15.7	28.5	4.6	–	13	–	186 270	QSMLL-G1/8-4	10
	4	6	10.5	16.3	29.5	4.6	–	13	–	186 271	QSMLL-G1/8-6	10

* Packaging unit quantity

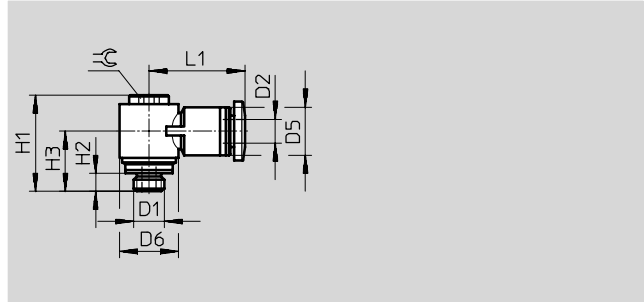
Push-in fittings QSM, Quick Star, mini

Technical data



Push-in L-fitting QSMLV-...-I

360° rotatable
Male thread
with internal hex

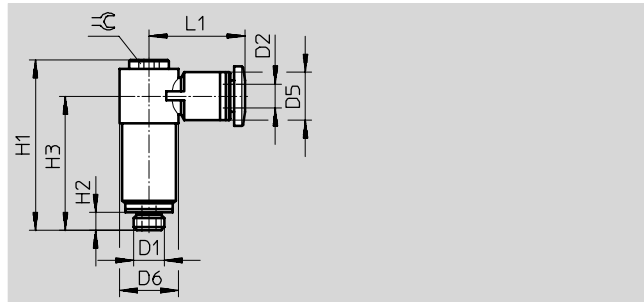


Dimensions and ordering data												
Connection	Tubing O.D.	D5	D6	H1	H2	H3	L1	⌀	Weight/ piece [g]	Part No.	Type	PU*
D1	D2	∅	∅									
Metric thread with sealing ring												
M5	3	8	9.8	16.5	3.5	10.5	16	3	5.1	130 830	QSMLV-M5-3-I	10
	4	8	9.8	16.5	3.5	10.5	16	3	5.0	130 831	QSMLV-M5-4-I	10
M7	4	8	9.8	18.5	5.5	12.5	16	3	5.6	130 832	QSMLV-M7-4-I	10
	6	10.5	9.8	18.5	5.5	12.5	17.8	3	6.2	130 833	QSMLV-M7-6-I	10

* Packaging unit quantity

Push-in long L-fitting QSMLLV-...-I

360° rotatable
Male thread
with internal hex



Dimensions and ordering data												
Connection	Tubing O.D.	D5	D6	H1	H2	H3	L1	⌀	Weight/ piece [g]	Part No.	Type	PU*
D1	D2	∅	∅									
Metric thread with sealing ring												
M5	3	8	9.8	28.3	3.5	22.3	16	3	10.9	130 834	QSMLLV-M5-3-I	10
	4	8	9.8	28.3	3.5	22.3	16	3	10.9	130 835	QSMLLV-M5-4-I	10
M7	4	8	9.8	30.3	5.5	24.3	16	3	11.8	130 836	QSMLLV-M7-4-I	10
	6	10.5	9.8	30.3	5.5	24.3	17.8	3	12.4	130 837	QSMLLV-M7-6-I	10

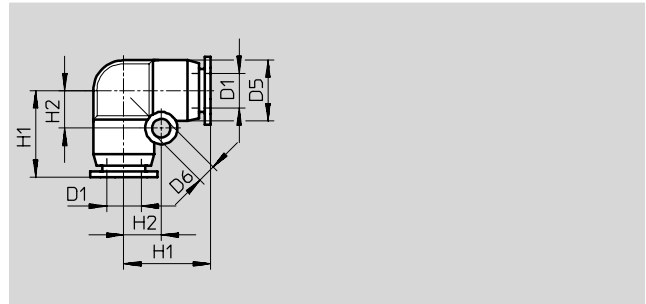
* Packaging unit quantity

Push-in fittings QSM, Quick Star, mini

Technical data



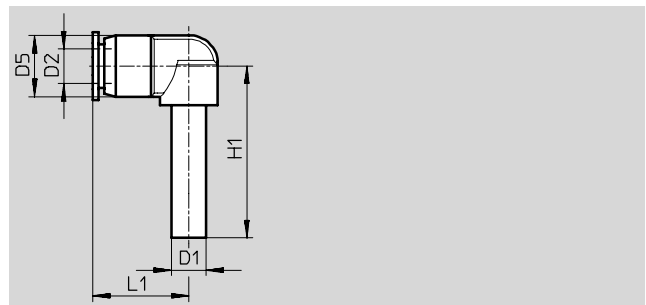
Push-in L-connector QSML



Dimensions and ordering data									
Tubing O.D.	Nominal size	D5	D6	H1	H2	Weight/piece	Part No.	Type	PU*
D1	[mm]	∅	∅			[g]			
3	2	6	3.2	11	4.5	1.5	153 343	QSML-3	10
4	3	8	3.2	13.5	5.5	2	153 344	QSML-4	10
							130 766	QSML-4-100	100
6	4	10.5	3.2	15.5	6.5	4	153 345	QSML-6	10
							130 767	QSML-6-100	100

* Packaging unit quantity

Push-in L-connector QSML-...H with push-in sleeve



Dimensions and ordering data									
Push-in sleeve ∅	Nominal size	Tubing O.D.	D5	H1	L1	Weight/piece	Part No.	Type	PU*
D1	[mm]	D2	∅			[g]			
3	1.5	3	7	21	13	1	153 346	QSML-3H	10
4	2.5	4	8	25.5	15	2	153 347	QSML-4H	10
6	3	6	10.5	29.5	16.5	3	153 348	QSML-6H	10
Reducing									
4	2.5	3	8.5	25	15	2	153 349	QSML-4H-3	10
6	3	4	10.5	29.5	16.5	3	153 350	QSML-6H-4	10

* Packaging unit quantity

Core Range

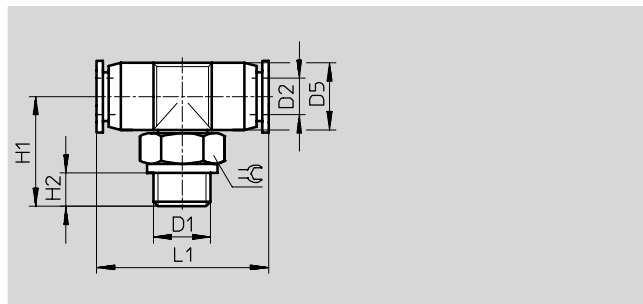
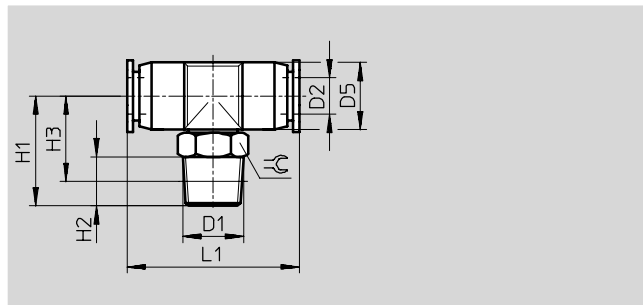
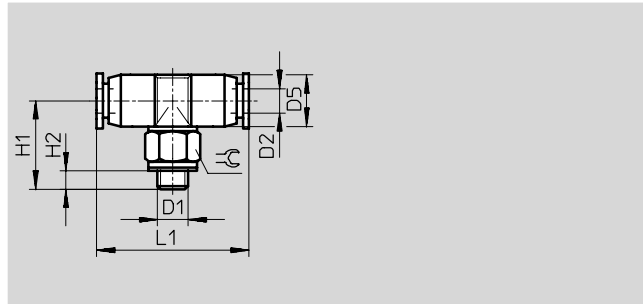
Push-in fittings QSM, Quick Star, mini

Technical data



Push-in T-fitting QSMT

360° rotatable
Male thread
with external hex



Piping, tubing and fittings
Push-in fittings
5.4

Dimensions and ordering data												
Connection	Nominal size	Tubing O.D.	D5	H1	H2	H3	L1	≈G	Weight/ piece	Part No.	Type	PU*
D1	[mm]	D2	∅						[g]			
Metric thread with sealing ring												
M3	1.2	3	6.5	12	3	–	22	5.5	2	153 351	QSMT-M3-3	10
	1.2	4	8.5	15	3	–	27	8	4	153 353	QSMT-M3-4	10
M5	1.2	3	6.5	13.5	3.5	–	22	8	3.5	153 352	QSMT-M5-3	10
	2.4	4	8.5	14.5	3.5	–	27	8	4.5	153 354	QSMT-M5-4	10
											130 784	QSMT-M5-4-100
	2.4	6	11	15.5	3.5	–	30	8	6	153 356	QSMT-M5-6	10
										130 785	QSMT-M5-6-100	100
R thread												
R1/8	3	4	8.5	17	8	13	27	10	7	153 355	QSMT-1/8-4	10
	4	6	11	18	8	14	30	10	8	153 357	QSMT-1/8-6	10
G thread with sealing ring												
G1/8	5	4	8	17	4.6	–	26.2	13	–	186 272	QSMT-G1/8-4	10
	5	6	10.5	18	4.6	–	28.4	13	–	186 273	QSMT-G1/8-6	10

* Packaging unit quantity

Core Range

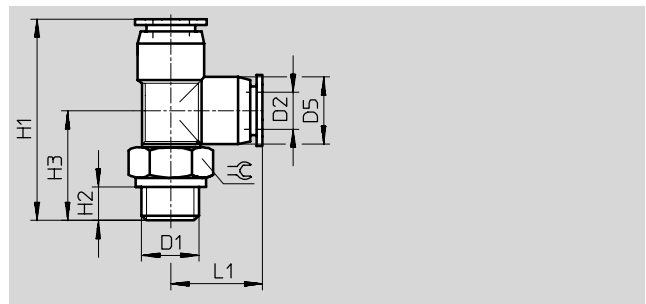
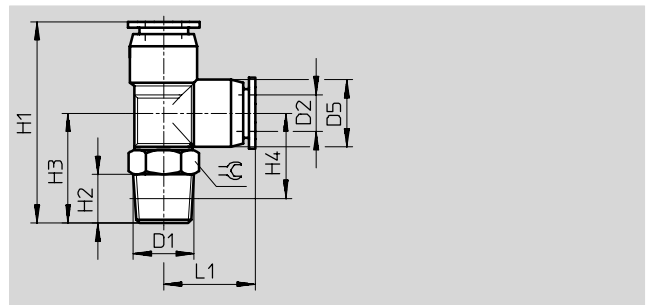
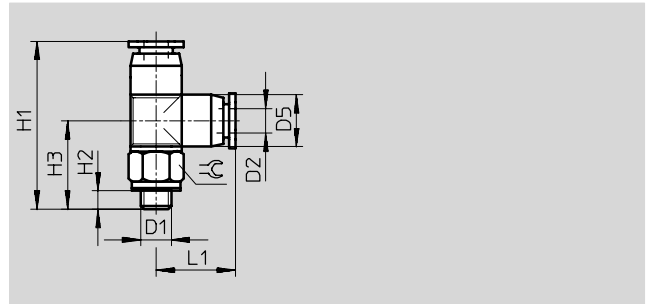
Push-in fittings QSM, Quick Star, mini



Technical data

Push-in T-fitting QSMTL

360° rotatable
Male thread
with external hex



Dimensions and ordering data													
Connection	Nominal size	Tubing O.D.	D5 ∅	H1	H2	H3	H4	L1	⌀	Weight/ piece [g]	Part No.	Type	PU*
D1	[mm]	D2											
Metric thread with sealing ring													
M3	1.2	3	6.5	23	3	-	12	11	5.5	2.5	153 358	QSMTL-M3-3	10
	1.2	4	8.5	28.5	3	-	15	13.5	8	4	153 360	QSMTL-M3-4	10
M5	1.2	3	6.5	24.5	3.5	-	13.5	11	8	4.5	153 359	QSMTL-M5-3	10
	2.4	4	8.5	27.5	3.5	-	14.5	13	8	5	153 361	QSMTL-M5-4	10
	2.4	6	10.5	30.5	3.5	-	15.5	15	8	6	153 363	QSMTL-M5-6	10
R thread													
R1/8	3	4	8.5	30	8	13	17	13	10	7	153 362	QSMTL-1/8-4	10
	4	6	10.5	33	8	14	18	15	10	8.5	153 364	QSMTL-1/8-6	10
G thread with sealing ring													
G1/8	5	4	8	30.7	4.6	17	-	13.7	13	-	186 274	QSMTL-G1/8-4	10
	5	6	10.5	33.3	4.6	18	-	15.3	13	-	186 275	QSMTL-G1/8-6	10

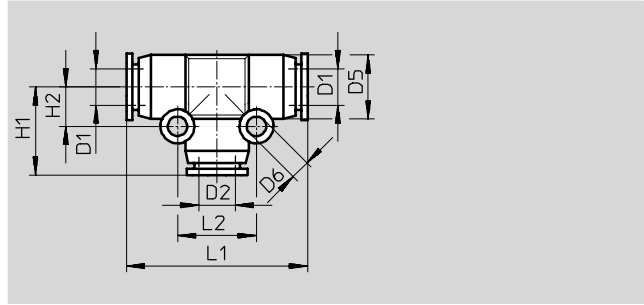
* Packaging unit quantity

Push-in fittings QSM, Quick Star, mini

Technical data



Push-in T-connector QSMT



Dimensions and ordering data												
Tubing O.D.	Nominal size	Tubing O.D.	D5	D6	H1	H2	L1	L2	Weight/ piece	Part No.	Type	PU*
D1	[mm]	D2	∅	∅					[g]			
3	2	3	6	3.2	11	4.5	22	9	2	153 365	QSMT-3	10
4	3	4	8	3.2	13.5	5.5	27	11	2	153 366	QSMT-4	10
										130 782	QSMT-4-100	100
6	4	6	10.5	3.2	15.5	6.5	31	13	4	153 367	QSMT-6	10
										130 783	QSMT-6-100	100
Reducing												
4	2.5	3	8	3.2	13	5.5	27	11	3.5	153 368	QSMT-4-3	10
6	3	4	10.5	3.2	15	6.5	30	13	4	153 369	QSMT-6-4	10

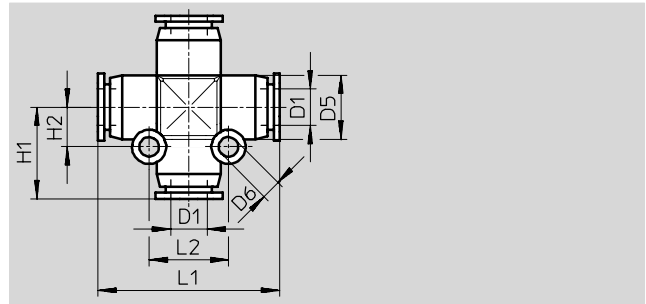
* Packaging unit quantity

Push-in fittings QSM, Quick Star, mini

Technical data



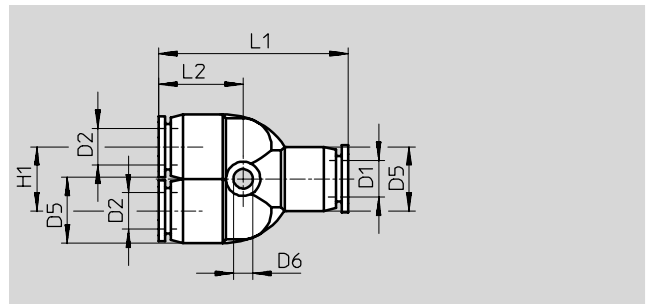
Push-in X-connector QSMX



Dimensions and ordering data											
Tubing O.D.	Nominal size	D5	D6	H1	H2	L1	L2	Weight/ piece	Part No.	Type	PU*
D1	[mm]	∅	∅					[g]			
Metric thread with sealing ring											
3	2	8	3.2	13.5	5.5	27	11	4	153 378	QSMX-3	10
4	2.5	8	3.2	13.5	5.5	27	11	4	153 379	QSMX-4	10
6	4	10.5	3.2	15.5	6.5	31	13	5	153 380	QSMX-6	10

* Packaging unit quantity

Push-in Y-connector QSMY



Dimensions and ordering data											
Tubing O.D.	Nominal size	Tubing O.D.	D5	D6	H1	L1	L2	Weight/ piece	Part No.	Type	PU*
D1	[mm]	D2	∅	∅				[g]			
Metric thread with sealing ring											
3	2	3	8	3.2	8	28.5	13	3	153 370	QSMY-3	10
4	2	4	8	3.2	8	29	13	3	153 371	QSMY-4	10
									130 786	QSMY-4-100	100
6	3	6	10.5	3.2	10.5	31.5	14.5	5.5	153 372	QSMY-6	10
									130 787	QSMY-6-100	100
Reducing											
4	1.5	3	8	3.2	8	28.5	13	3	153 373	QSMY-4-3	10
6	3	4	10.5	3.2	10.5	31.5	14	5	153 374	QSMY-6-4	10

* Packaging unit quantity

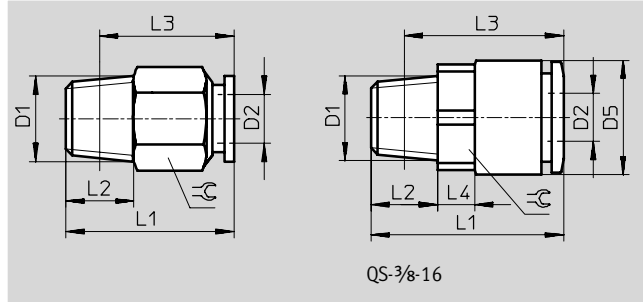
Push-in fittings QS, Quick Star

Technical data



Push-in fitting QS

Male thread
with external hex



Dimensions and ordering data												
Connection	Nominal size	Tubing O.D.	D5	L1	L2	L3	L4	≅	Weight/ piece [g]	Part No.	Type	PU*
D1	[mm]	D2										
R thread												
R ¹ / ₈	3	4	-	21	8	17	-	10	8.5	153 001	QS- ¹ / ₈ -4	10
										130 674	QS- ¹ / ₈ -4-100	100
	4.6	6	-	22.5	8	18.5	-	12	9	153 002	QS- ¹ / ₈ -6	10
										130 675	QS- ¹ / ₈ -6-100	100
	6	8	-	28	8	24	-	14	15	153 004	QS- ¹ / ₈ -8	10
										130 676	QS- ¹ / ₈ -8-100	100
	6	10	-	30.3	8	26.3	-	17	22.5	190 643	QS- ¹ / ₈ -10	10
R ¹ / ₄	3	4	-	21	11	15	-	14	16	190 644	QS- ¹ / ₄ -4	10
										153 003	QS- ¹ / ₄ -6	10
										130 677	QS- ¹ / ₄ -6-100	100
	4.6	6	-	24.5	11	18.5	-	14	17	153 005	QS- ¹ / ₄ -8	10
										130 678	QS- ¹ / ₄ -8-50	50
	7	8	-	26.5	11	20.5	-	14	-	153 007	QS- ¹ / ₄ -10	10
										130 679	QS- ¹ / ₄ -10-50	50
	8.5	10	-	30	11	24	-	17	20	164 980	QS- ¹ / ₄ -12	10
										130 680	QS- ¹ / ₄ -12-20	20
R ³ / ₈	11	12	-	36	11	30	-	21	-	190 645	QS- ³ / ₈ -6	10
										153 006	QS- ³ / ₈ -8	10
										130 681	QS- ³ / ₈ -8-50	50
	4.6	6	-	23.5	12	17.1	-	17	27	153 008	QS- ³ / ₈ -10	10
										130 682	QS- ³ / ₈ -10-50	50
	7	8	-	24	12	17.5	-	17	23	153 009	QS- ³ / ₈ -12	10
									130 683	QS- ³ / ₈ -12-20	20	
R ¹ / ₂	8.5	10	-	29.5	12	23	-	17	26	164 957	QS- ³ / ₈ -16	1
										153 009	QS- ³ / ₈ -12	10
										130 683	QS- ³ / ₈ -12-20	20
	11	12	-	32	12	25.5	-	21	35.5	190 646	QS- ¹ / ₂ -10	1
										153 010	QS- ¹ / ₂ -12	1
	11	12	-	34	15	26	-	21	49.5	130 684	QS- ¹ / ₂ -12-20	20
	13	16	-	41.5	15	33.5	-	24	67	153 011	QS- ¹ / ₂ -16	1
										130 685	QS- ¹ / ₂ -16-20	20

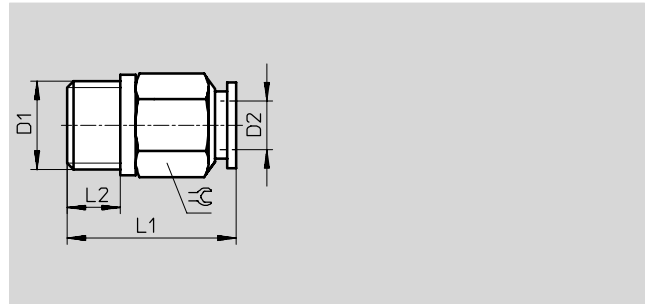
* Packaging unit quantity

Push-in fittings QS, Quick Star

Technical data

Push-in fitting QS

Male thread
with external hex



Dimensions and ordering data								
Connection	Nominal size	Tubing O.D.	L1	L2	⌀	Part No.	Type	PU*
D1	[mm]	D2						
G thread with sealing ring								
G ¹ / ₈	3	4	19.9	4.6	13	186 095	QS-G ¹ / ₈ -4	10
	4.6	6	21	4.6	13	186 096	QS-G ¹ / ₈ -6	10
	6	8	26.2	4.6	14	186 098	QS-G ¹ / ₈ -8	10
G ¹ / ₄	4.6	6	23	6.6	17	186 097	QS-G ¹ / ₄ -6	10
	7	8	23.7	6.6	17	186 099	QS-G ¹ / ₄ -8	10
	8.5	10	30.7	6.6	17	186 101	QS-G ¹ / ₄ -10	10
	11	12	35.9	6.6	21	186 350	QS-G ¹ / ₄ -12	10
G ³ / ₈	7	8	23.9	8.1	19	186 100	QS-G ³ / ₈ -8	10
	8.5	10	27.7	8.1	19	186 102	QS-G ³ / ₈ -10	10
	11	12	33.8	8.1	21	186 103	QS-G ³ / ₈ -12	10
	11	16	39.8	8.1	22	186 347	QS-G ³ / ₈ -16	1
G ¹ / ₂	11	12	32.3	11.1	24	186 104	QS-G ¹ / ₂ -12	1
	13	16	39.8	11.1	24	186 105	QS-G ¹ / ₂ -16	1

* Packaging unit quantity

Core Range

Push-in fittings QS, Quick Star

Technical data

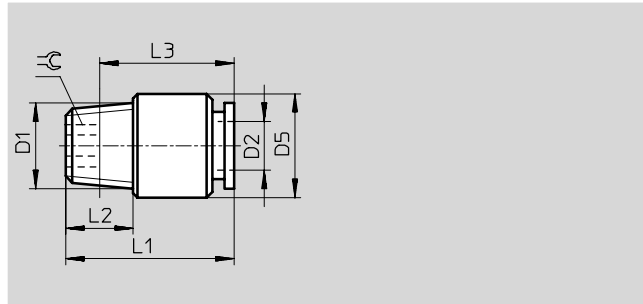


Push-in fitting QS-...-I

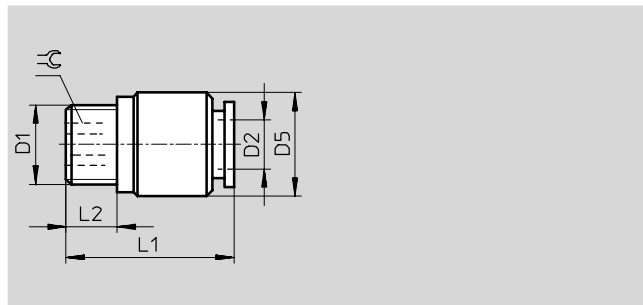
Male thread
with internal hex



R thread



G thread



Dimensions and ordering data											
Connection	Nominal size	Tubing O.D.	D5 ∅	L1	L2	L3	⊖	Weight/ piece [g]	Part No.	Type	PU*
D1	[mm]	D2									
R thread											
R ¹ / ₈	2.6	4	9.5	21	8	17	2.5	8	153 012	QS- ¹ / ₈ -4-I	10
	4.2	6	12	22.5	8	18.5	4	8	153 013	QS- ¹ / ₈ -6-I	10
	5.3	8	13.7	28	8	24	5	14	153 015	QS- ¹ / ₈ -8-I	10
	5.0	10	17.7	30.3	8	26.3	5	25	190 647	QS- ¹ / ₈ -10-I	10
R ¹ / ₄	4.2	6	14	22.5	11	16.5	4	14	153 014	QS- ¹ / ₄ -6-I	10
	6.3	8	14	26.5	11	20.5	6	14.5	153 016	QS- ¹ / ₄ -8-I	10
	6.3	10	17.7	30	11	24	7	22	153 018	QS- ¹ / ₄ -10-I	10
	6.5	12	20.8	35.9	11	29.9	6	40	190 649	QS- ¹ / ₄ -12-I	10
R ³ / ₈	6.3	8	17	24	12	17.5	6	22	153 017	QS- ³ / ₈ -8-I	10
	6.3	10	18	29.5	12	23	6	27	153 019	QS- ³ / ₈ -10-I	10
	8.5	12	21	32	12	25.5	8	33.5	153 020	QS- ³ / ₈ -12-I	10
R ¹ / ₂	6.3	10	20.8	30.3	15	22.1	6	48	190 648	QS- ¹ / ₂ -10-I	1
	8.5	12	21	34	15	26	8	48	153 021	QS- ¹ / ₂ -12-I	1
G thread with sealing ring											
G ¹ / ₈	2.6	4	13	19.9	4.6	-	2.5	-	186 106	QS-G ¹ / ₈ -4-I	10
	4.2	6	13	22	4.6	-	4	-	186 107	QS-G ¹ / ₈ -6-I	10
	5.3	8	13.7	26.2	4.6	-	5	-	186 109	QS-G ¹ / ₈ -8-I	10
G ¹ / ₄	4.2	6	17	22	6.6	-	4	-	186 108	QS-G ¹ / ₄ -6-I	10
	6.3	8	17	26.2	6.6	-	6	-	186 110	QS-G ¹ / ₄ -8-I	10
	6.3	10	17	30.7	6.6	-	7	-	186 112	QS-G ¹ / ₄ -10-I	10
G ³ / ₈	6.3	8	19	26.2	8.1	-	6	-	186 111	QS-G ³ / ₈ -8-I	10
	6.3	10	19	28.7	8.1	-	7	-	186 113	QS-G ³ / ₈ -10-I	10
	8.5	12	20.8	33.8	8.1	-	8	-	186 114	QS-G ³ / ₈ -12-I	10
G ¹ / ₂	8.5	12	24	32.3	11.1	-	8	-	186 115	QS-G ¹ / ₂ -12-I	1

* Packaging unit quantity

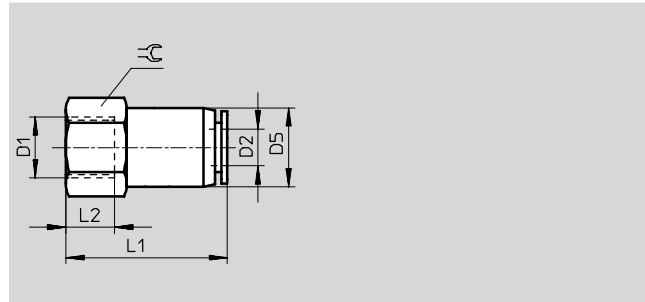
Push-in fittings QS, Quick Star

Technical data



Push-in fitting QSF

Female thread
with external hex



Dimensions and ordering data										
Connection	Nominal size	Tubing O.D.	D5	L1	L2	⌀	Weight/piece	Part No.	Type	PU*
D1	[mm]	D2	∅				[g]			
G thread with sealing ring										
G $\frac{1}{8}$	3	4	11	24.5	8	14	15.5	153 022	QSF- $\frac{1}{8}$ -4-B	10
								130 712	QSF- $\frac{1}{8}$ -4-B-100	100
	4.6	6	13	26.5	8	14	18	153 023	QSF- $\frac{1}{8}$ -6-B	10
								130 713	QSF- $\frac{1}{8}$ -6-B-100	100
	6	8	14.5	28	8	14	19.5	153 025	QSF- $\frac{1}{8}$ -8-B	10
								130 714	QSF- $\frac{1}{8}$ -8-B-50	50
G $\frac{1}{4}$	3	4	11	27.4	11	17	21.5	190 650	QSF- $\frac{1}{4}$ -4-B	10
	4.6	6	13	29	11	17	25	153 024	QSF- $\frac{1}{4}$ -6-B	10
								130 709	QSF- $\frac{1}{4}$ -6-B-100	100
	6	8	15	31	11	17	27	153 026	QSF- $\frac{1}{4}$ -8-B	10
								130 710	QSF- $\frac{1}{4}$ -8-B-50	50
	8.5	10	17.5	34	11	17	32	153 028	QSF- $\frac{1}{4}$ -10-B	10
								130 711	QSF- $\frac{1}{4}$ -10-B-50	50
	11	12	21	35.8	11	21	55.5	190 651	QSF- $\frac{1}{4}$ -12-B	10
G $\frac{3}{8}$	4.6	6	13	30.4	12.5	21	30.5	190 652	QSF- $\frac{3}{8}$ -6-B	10
	6	8	15	32	12	21	36	153 027	QSF- $\frac{3}{8}$ -8-B	10
								130 715	QSF- $\frac{3}{8}$ -8-B-50	50
	8.5	10	17.5	35	12	21	41	153 029	QSF- $\frac{3}{8}$ -10-B	10
								130 716	QSF- $\frac{3}{8}$ -10-B-50	50
	11	12	21	37	12	21	51.5	153 030	QSF- $\frac{3}{8}$ -12-B	10
								130 717	QSF- $\frac{3}{8}$ -12-B-20	20
G $\frac{1}{2}$	11	12	20.8	40.8	15.8	24	58	190 653	QSF- $\frac{1}{2}$ -12-B	1
	13	16	25	43.8	17	25	79	190 654	QSF- $\frac{1}{2}$ -16-B	1

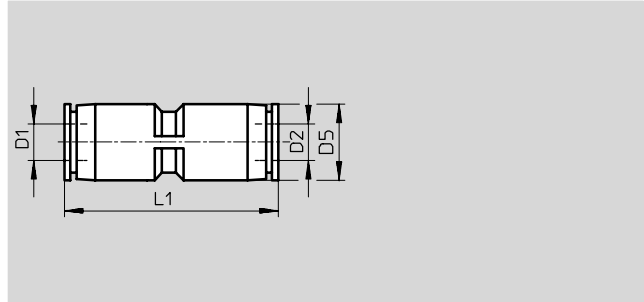
* Packaging unit quantity

Push-in fittings QS, Quick Star

Technical data



Push-in connector QS



Dimensions and ordering data

Tubing O.D. D1	Nominal size [mm]	Tubing O.D. D2	D5 ∅	L1	Weight/piece [g]	Part No.	Type	PU*
4	3.8	4	10	31	5	153 031	QS-4	10
						130 686	QS-4-100	100
6	5.5	6	12.5	35	6.5	153 032	QS-6	10
						130 687	QS-6-100	100
8	7	8	14.5	38	9.5	153 033	QS-8	10
						130 688	QS-8-50	50
10	9	10	17.5	44	16	153 034	QS-10	10
						130 689	QS-10-50	50
12	11	12	21	48	22	153 035	QS-12	10
						130 690	QS-12-20	20
16	13	16	25	50	25	153 036	QS-16	1
Reducing								
6	3	4	12.5	34.5	6.5	153 037	QS-6-4	10
						130 691	QS-6-4-100	100
8	5.5	4	14.5	38.8	11	130 606	QS-8-4	10
		6	14.5	38.5	9	153 038	QS-8-6	10
						130 692	QS-8-6-50	50
10	7	6	17.5	45.2	16	130 607	QS-10-6	10
		8	17.5	44	14.5	153 039	QS-10-8	10
						130 693	QS-10-8-50	50
12	9	8	21	49.4	24	130 608	QS-12-8	10
		10	21	53.5	22.5	153 040	QS-12-10	10
						130 694	QS-12-10-20	20

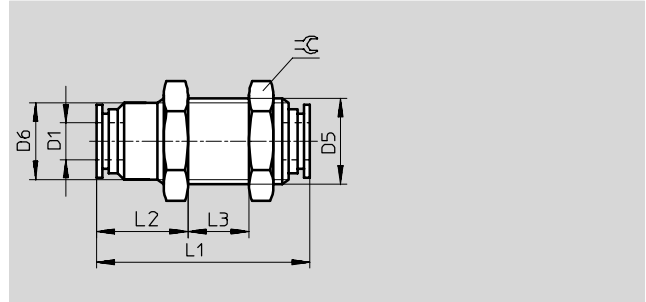
* Packaging unit quantity

Core Range

Push-in fittings QS, Quick Star

Technical data

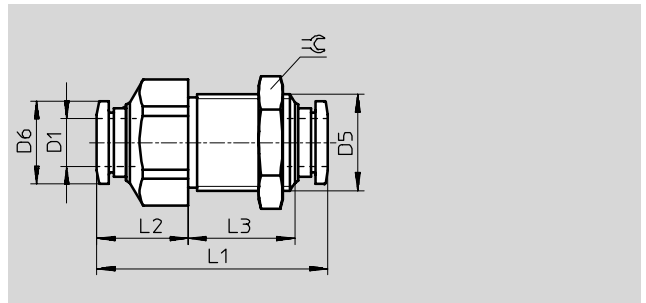
Push-in bulkhead connector QSS

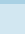

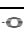


Push-in bulkhead connector

QSS-...-F

with fixed collar



Dimensions and ordering data												
Tubing O.D.	Nominal size	D5	D6 Ø	L1	L2	L3		Weight/ piece [g]	Part No.	Type	PU*	
D1	[mm]											
4	3	M12x1	11	31	14.5	7	14	10.5	153 157	QSS-4	10	
									130 788	QSS-4-100	100	
6	4.6	M14x1	12.5	35	15	10	17	16	153 158	QSS-6	10	
									130 789	QSS-6-100	100	
8	6	M16x1	14.5	37.5	18	9	19	19.5	153 159	QSS-8	10	
									130 790	QSS-8-50	50	
10	8	M20x1	18.5	43	18.5	13	24	37.5	153 160	QSS-10	10	
									130 791	QSS-10-50	50	
12	11	M22x1	20.5	47	16.5	18	27	56	153 161	QSS-12	10	
									130 792	QSS-12-20	20	
With fixed collar												
4	–	M12x1	9.9	33	13	14.7	14	–	193 950	QSS-4-F	 New	10
6	–	M14x1	11.8	34.9	14.4	14.7	17	–	193 951	QSS-6-F	 New	10
8	–	M16x1	13.8	38.4	15.2	17.7	19	40	130 642	QSS-8-F		10
10	–	M20x1	16.8	47.1	20.3	20.9	24	86	130 643	QSS-10-F		10
12	–	M22x1	19.8	48.5	18.9	24.1	27	105	130 644	QSS-12-F		10

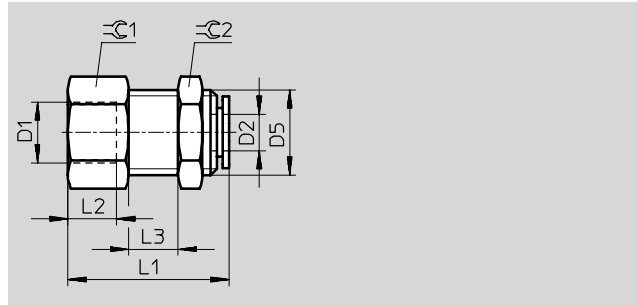
* Packaging unit quantity

Push-in fittings QS, Quick Star

Technical data



Push-in bulkhead connector QSSF
with female thread



Dimensions and ordering data												
Connection	Nominal size	Tubing O.D.	D5	L1	L2	L3	$\varnothing 1$	$\varnothing 2$	Weight/ piece	Part No.	Type	PU*
D1	[mm]	D2	\varnothing						[g]			
G $\frac{1}{8}$	3	4	M12x1	25	8	5.5	14	14	18.5	153 162	QSSF- $\frac{1}{8}$ -4-B	10
	6	6	M14x1	27.5	8	7.5	17	17	29.5	153 163	QSSF- $\frac{1}{8}$ -6-B	10
	8	8	M16x1	29	8	11	19	19	38.5	153 165	QSSF- $\frac{1}{8}$ -8-B	10
G $\frac{1}{4}$	3	4	M12x1	27.5	11	5.5	17	14	24	190 655	QSSF- $\frac{1}{4}$ -4-B	10
	6	6	M14x1	30.5	11	7.5	17	17	29.5	153 164	QSSF- $\frac{1}{4}$ -6-B	10
	8	8	M16x1	32	11	11	19	19	40.5	153 166	QSSF- $\frac{1}{4}$ -8-B	10
	10	10	M20x1	35	11	9.5	24	24	77.5	153 168	QSSF- $\frac{1}{4}$ -10-B	10
G $\frac{3}{8}$	4.6	6	M14x1	31	12.5	7.5	19	17	24.5	190 656	QSSF- $\frac{3}{8}$ -6-B	10
	8	8	M16x1	33	12	11	19	19	34	153 167	QSSF- $\frac{3}{8}$ -8-B	10
	10	10	M20x1	36	12	9.5	24	24	73	153 169	QSSF- $\frac{3}{8}$ -10-B	10
	12	12	M22x1	39	12	11.5	24	27	85	153 170	QSSF- $\frac{3}{8}$ -12-B	10
G $\frac{1}{2}$	12	12	M22x1	42	15	11.5	24	27	80	153 171	QSSF- $\frac{1}{2}$ -12-B	1
	13	16	M27x1.5	43	17	7.4	29	32	141	190 657	QSSF- $\frac{1}{2}$ -16	1

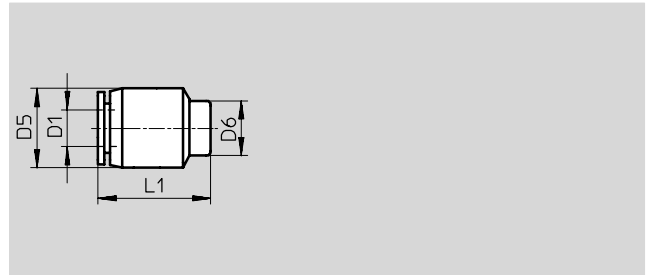
* Packaging unit quantity

Push-in fittings QS, Quick Star

Technical data



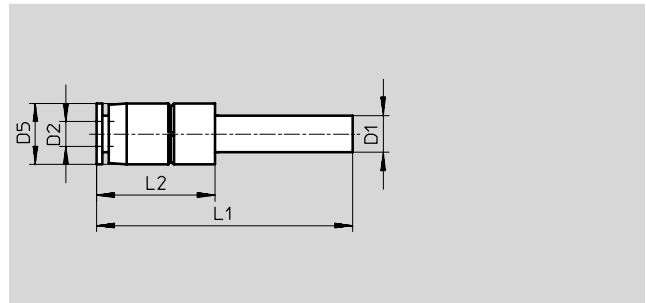
Push-in cap QSC



Dimensions and ordering data							
Tubing O.D.	D5	D6	L1	Weight/piece	Part No.	Type	PU*
D1	∅	∅		[g]			
4	10	7	16.5	2.5	153 262	QSC-4	10
					130 704	QSC-4-100	100
6	13	9	18.5	3.5	153 263	QSC-6	10
					130 705	QSC-6-100	100
8	15	11	20	5	153 264	QSC-8	10
					130 706	QSC-8-50	50
10	18	13	22.5	8	153 265	QSC-10	10
					130 707	QSC-10-50	50
12	21.5	16	23	11.5	153 266	QSC-12	10
					130 708	QSC-12-20	20

* Packaging unit quantity

Push-in connector QS-...H with push-in sleeve



Dimensions and ordering data									
Push-in sleeve ∅	Nominal size	Tubing O.D.	D5	L1	L2	Weight/piece	Part No.	Type	PU*
D1	[mm]	D2	∅			[g]			
6	4	4	10	41.5	19.2	3.6	153 041	QS-6H-4	10
							130 695	QS-6H-4-100	100
8	–		12.5	44.2	20.7	4.7	130 622	QS-8H-4	10
8	5	6	12.5	44.8	21.3	5	153 042	QS-8H-6	10
							130 696	QS-8H-6-50	50
10	–		14.5	46.8	21.8	6.5	130 623	QS-10H-6	10
10	7.5	8	14.5	46.7	21.7	7	153 043	QS-10H-8	10
							130 697	QS-10H-8-50	50
12	–		17.5	53.7	25.2	11	130 624	QS-12H-8	10
12	9	10	17.5	54.5	25.5	12	153 044	QS-12H-10	10
							130 698	QS-12H-10-20	20

* Packaging unit quantity

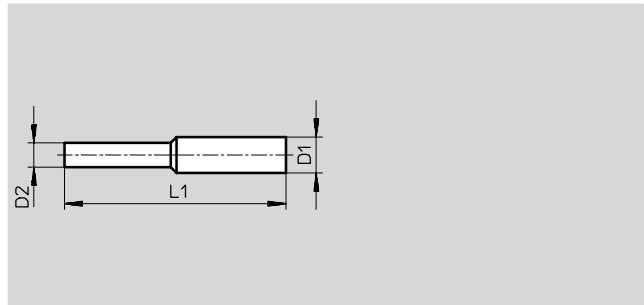
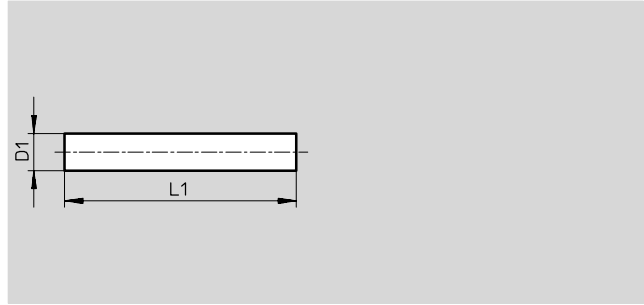
Core Range

Push-in fittings QS, Quick Star

Technical data



Push-in sleeve QSH



Reducing

Dimensions and ordering data											
Push-in sleeve Ø D1	Nominal size [mm]	Push-in sleeve Ø D2	L	Weight/piece [g]	Part No.	Type	PU*				
4	2.5	-	35	0.5	153 251	QSH-4	10				
					130 723	QSH-4-100	100				
6	4	-	38	0.5	153 252	QSH-6	10				
					130 724	QSH-6-100	100				
8	6	-	41.5	1	153 253	QSH-8	10				
					130 725	QSH-8-50	50				
10	7.5	-	46	1.5	153 254	QSH-10	10				
					130 726	QSH-10-50	50				
12	9	-	53	3	153 255	QSH-12	10				
					130 727	QSH-12-20	20				
16	11	-	55.5	4	153 256	QSH-16	1				
Reducing											
6	2.5	4	36.7	0.5	153 257	QSH-6-4	10				
					130 718	QSH-6-4-100	100				
8	-	4	41.1	0.9	130 625	QSH-8-4	10				
					4	6	40.5	0.9	153 258	QSH-8-6	10
									130 719	QSH-8-6-50	50
10	-	6	43.7	1.4	130 626	QSH-10-6	10				
					6	8	44	1.3	153 259	QSH-10-8	10
									130 720	QSH-10-8-50	50
12	-	8	47.5	2.1	130 627	QSH-12-8	10				
					7.5	10	49.6	2.2	153 260	QSH-12-10	10
									130 721	QSH-12-10-20	20
16	9	12	54.4	4.2	153 261	QSH-16-12	1				
					130 722	QSH-16-12-20	20				

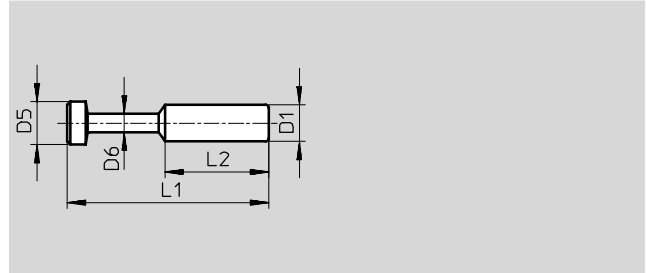
* Packaging unit quantity

Push-in fittings QS, Quick Star

Technical data



Blanking plug QSC-...H



Dimensions and ordering data								
Push-in sleeve Ø D1	D5 Ø	D6 Ø	L1	L2	Weight/piece [g]	Part No.	Type	PU*
4	5	3	28	15	0.5	153 267	QSC-4H	10
						130 699	QSC-4H-100	100
6	7	3	33	17	0.5	153 268	QSC-6H	10
						130 700	QSC-6H-100	100
8	9	4	37	18	1	153 269	QSC-8H	10
						130 701	QSC-8H-50	50
10	11	5	42	20.5	2	153 270	QSC-10H	10
						130 702	QSC-10H-50	50
12	13	6	44	23	2.5	153 271	QSC-12H	10
						130 703	QSC-12H-20	20
16	17	8	46	24	4	153 272	QSC-16H	10

* Packaging unit quantity

Core Range

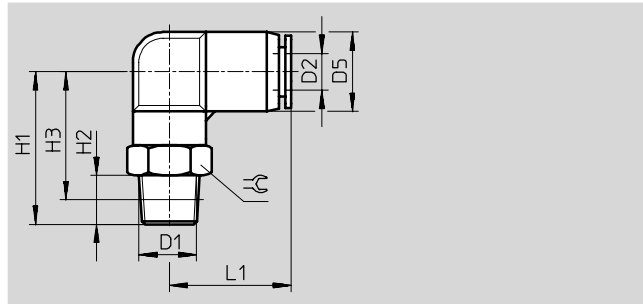
Push-in fittings QS, Quick Star

Technical data



Push-in L-fitting QSL

360° rotatable
Male thread
with external hex



Dimensions and ordering data												
Connection	Nominal size	Tubing O.D.	D5	H1	H2	H3	L1	⌀	Weight/ piece	Part No.	Type	PU*
D1	[mm]	D2	∅						[g]			
R thread												
R $\frac{1}{8}$	3	4	10	23.5	8	19.5	18.5	10	12	153 045	QSL- $\frac{1}{8}$ -4	10
										130 728	QSL- $\frac{1}{8}$ -4-100	100
	4.6	6	12.5	25	8	21	20	12	14	153 046	QSL- $\frac{1}{8}$ -6	10
										130 729	QSL- $\frac{1}{8}$ -6-100	100
	6	8	14.5	28	8	24	23	14	18	153 048	QSL- $\frac{1}{8}$ -8	10
									130 730	QSL- $\frac{1}{8}$ -8-50	50	
	6	10	17.5	33	8	29.1	26.2	17	31	190 658	QSL- $\frac{1}{8}$ -10	10
R $\frac{1}{4}$	3	4	10	26.3	11	20.3	18	14	21	190 659	QSL- $\frac{1}{4}$ -4	10
	4.6	6	12.5	28	11	22	20	14	22	153 047	QSL- $\frac{1}{4}$ -6	10
										130 731	QSL- $\frac{1}{4}$ -6-100	100
	6	8	14.5	31	11	25	23	14	24	153 049	QSL- $\frac{1}{4}$ -8	10
										130 732	QSL- $\frac{1}{4}$ -8-50	50
	8	10	17.5	37	11	30.5	26.5	17	34	153 051	QSL- $\frac{1}{4}$ -10	10
										130 733	QSL- $\frac{1}{4}$ -10-50	50
	10	12	21	38	11	32	29.5	21	-	164 981	QSL- $\frac{1}{4}$ -12	10
										130 734	QSL- $\frac{1}{4}$ -12-20	20
R $\frac{3}{8}$	4.6	6	12.5	29.8	12	23.7	19.7	17	35	190 660	QSL- $\frac{3}{8}$ -6	10
	6	8	14.5	33	12	26.5	23	17	37	153 050	QSL- $\frac{3}{8}$ -8	10
										130 735	QSL- $\frac{3}{8}$ -8-50	50
	8	10	17.5	40	12	32	26.5	17	42	153 052	QSL- $\frac{3}{8}$ -10	10
										130 736	QSL- $\frac{3}{8}$ -10-20	20
	10	12	21	41.5	12	34	29.5	21	51.5	153 053	QSL- $\frac{3}{8}$ -12	10
									130 737	QSL- $\frac{3}{8}$ -12-20	20	
R $\frac{1}{2}$	11	16	25	47	11	40.5	33.5	22	81.5	164 958	QSL- $\frac{3}{8}$ -16	1
	8	10	17.5	40	15	31.9	26.2	21	64	190 661	QSL- $\frac{1}{2}$ -10	1
	10	12	21	33	15	29	29.5	21	66	153 054	QSL- $\frac{1}{2}$ -12	1
										130 738	QSL- $\frac{1}{2}$ -12	20
	13	16	25	51	15	43	33.5	22	85.5	153 055	QSL- $\frac{1}{2}$ -16	1
									130 739	QSL- $\frac{1}{2}$ -16-20	20	

* Packaging unit quantity

Push-in fittings QS, Quick Star

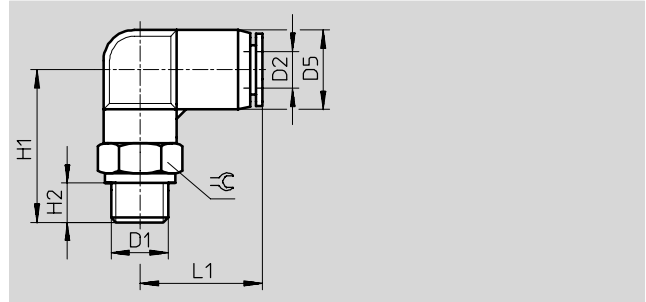
Technical data

Push-in L-fitting QSL

360° rotatable
Male thread
with external hex



G thread



Dimensions and ordering data												
Connection	Nominal size	Tubing O.D.	D5	H1	H2	H3	L1	⌀	Weight/ piece	Part No.	Type	PU*
D1	[mm]	D2	∅						[g]			
G thread with sealing ring												
G ¹ / ₈	3	4	10	22.8	4.6	-	18	13	-	186 116	QSL-G¹/₈-4	10
	4.6	6	12.5	23.5	4.6	-	19.8	13	-	186 117	QSL-G¹/₈-6	10
	6	8	14.5	26.5	4.6	-	22.7	14	-	186 119	QSL-G¹/₈-8	10
G ¹ / ₄	4.6	6	12.5	26.5	6.6	-	19.8	17	-	186 118	QSL-G¹/₄-6	10
	6	8	14.5	29.5	6.6	-	22.7	17	-	186 120	QSL-G¹/₄-8	10
	8	10	17.5	33.5	6.6	-	26.2	17	-	186 122	QSL-G¹/₄-10	10
	10	12	21	35.5	6.6	-	29.4	21	-	186 351	QSL-G¹/₄-12	10
G ³ / ₈	6	8	14.5	31.5	8.1	-	22.7	19	-	186 121	QSL-G³/₈-8	10
	8	10	17.5	35.5	8.1	-	26.2	19	-	186 123	QSL-G³/₈-10	10
	10	12	21	37.5	8.1	-	29.4	21	-	186 124	QSL-G³/₈-12	10
	11	16	25	46.5	8.1	-	33.1	24	-	186 348	QSL-G³/₈-16	1
G ¹ / ₂	10	12	21	42.5	11.1	-	29.4	24	-	186 125	QSL-G¹/₂-12	1
	13	16	25	49.5	11.1	-	33.1	24	-	186 126	QSL-G¹/₂-16	1

* Packaging unit quantity

Core Range

Push-in fittings QS, Quick Star

Technical data

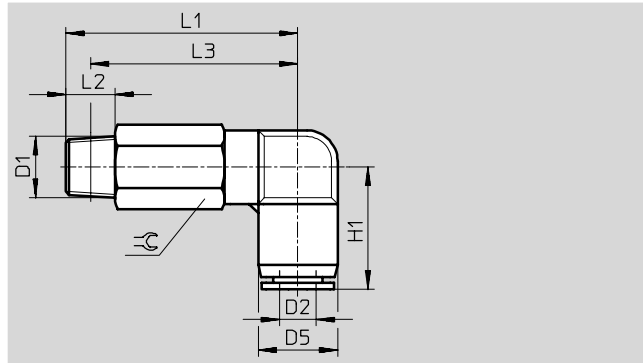


Push-in long L-fitting QSLL

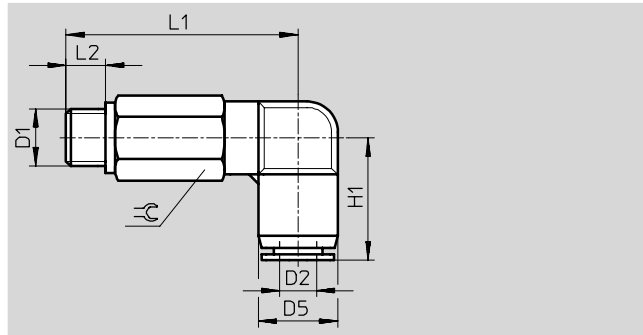
360° rotatable
Male thread
with external hex



R thread



G thread



Dimensions and ordering data												
Connection	Nominal size	Tubing O.D.	D5	H1	L1	L2	L3	≡	Weight/ piece	Part No.	Type	PU*
D1	[mm]	D2	∅						[g]			
R thread												
R ¹ / ₈	3	4	10	17	37	8	32.5	10	18	153 076	QSLL-1/8-4	10
	4.6	6	12.5	20	38	8	34	12	26	153 077	QSLL-1/8-6	10
	6	8	14.5	22.5	43.5	8	39.5	14	36.5	153 079	QSLL-1/8-8	10
R ¹ / ₄	2.8	4	10	18	38.3	11	32.3	14	34	190 662	QSLL-1/4-4	10
	4.6	6	12.5	20	41	11	35	14	39	153 078	QSLL-1/4-6	10
	6	8	14.5	22.5	46.5	11	40.5	14	42.5	153 080	QSLL-1/4-8	10
	8	10	17.5	26	54.5	11	48.5	17	65	153 082	QSLL-1/4-10	10
R ³ / ₈	4.6	6	12.5	19.7	43.3	12	37.2	17	61	190 663	QSLL-3/8-6	10
	6	8	14.5	22.5	48.5	12	42	17	65.5	153 081	QSLL-3/8-8	10
	8	10	17.5	26	55.5	12	49	17	73	153 083	QSLL-3/8-10	10
	10	12	21	29.5	61	12	54.5	21	107	153 084	QSLL-3/8-12	10
R ¹ / ₂	8	10	17.5	26.2	60	15	51.9	21	120	190 664	QSLL-1/2-10	1
	10	12	21	29.5	64	15	56	21	122	153 085	QSLL-1/2-12	1
G thread												
G ¹ / ₈	3	4	10	18	33.8	4.6	-	13	-	186 127	QSLL-G1/8-4	10
	4.6	6	12.5	19.8	36.5	4.6	-	13	-	186 128	QSLL-G1/8-6	10
	6	8	14.5	22.7	41.5	4.6	-	14	-	186 130	QSLL-G1/8-8	10
G ¹ / ₄	4.6	6	12.5	19.8	36.5	6.6	-	17	-	186 129	QSLL-G1/4-6	10
	6	8	14.5	22.7	44	6.6	-	17	-	186 131	QSLL-G1/4-8	10
	8	10	17.5	26.2	52	6.6	-	17	-	186 133	QSLL-G1/4-10	10
G ³ / ₈	6	8	14.5	22.7	46.8	8.1	-	19	-	186 132	QSLL-G3/8-8	10
	8	10	17.5	26.2	54	8.1	-	19	-	186 134	QSLL-G3/8-10	10
	10	12	21	29.4	59.5	8.1	-	21	-	186 135	QSLL-G3/8-12	10
G ¹ / ₂	10	12	21	29.4	62.5	11.1	-	24	-	186 136	QSLL-G1/2-12	1
	13	16	25	33.1	76.5	11.1	-	24	-	190 665	QSLL-G1/2-16	1

* Packaging unit quantity

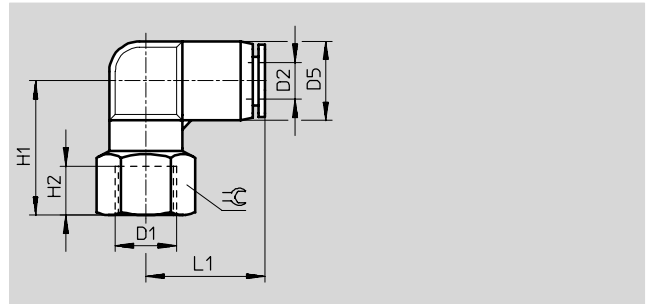
Push-in fittings QS, Quick Star

Technical data



Push-in L-fitting QSLF

Female thread
with external hex



Dimensions and ordering data											
Connection	Nominal size	Tubing O.D.	D5	H1	H2	L1	⌀	Weight/ piece	Part No.	Type	PU*
D1	[mm]	D2	∅					[g]			
G thread											
G $\frac{3}{8}$	3	4	10	22.5	8	17	14	14.5	153 273	QSLF- $\frac{1}{8}$ -4-B	10
	4.6	6	12.5	22	8	19.5	14	15.5	153 274	QSLF- $\frac{1}{8}$ -6-B	10
	6	8	14.5	25	8	22.5	14	19	153 276	QSLF- $\frac{1}{8}$ -8-B	10
G $\frac{1}{4}$	4.6	6	12.5	25	11	19.5	17	22	153 275	QSLF- $\frac{1}{4}$ -6-B	10
	6	8	14.5	28	11	22.5	17	25	153 277	QSLF- $\frac{1}{4}$ -8-B	10
	6	10	17.5	32	11	26	19	38.5	153 279	QSLF- $\frac{1}{4}$ -10-B	10
G $\frac{3}{8}$	6	8	14.5	29	12	22.5	21	30.5	153 278	QSLF- $\frac{3}{8}$ -8-B	10
	6	10	17.5	33	12	26	21	41	153 280	QSLF- $\frac{3}{8}$ -10-B	10

* Packaging unit quantity

Push-in fittings QS, Quick Star

Technical data

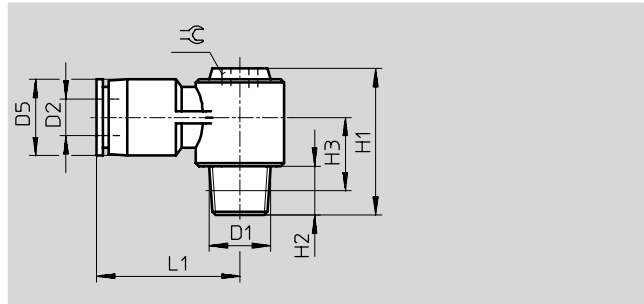


Push-in L-fitting QSLV-...-I

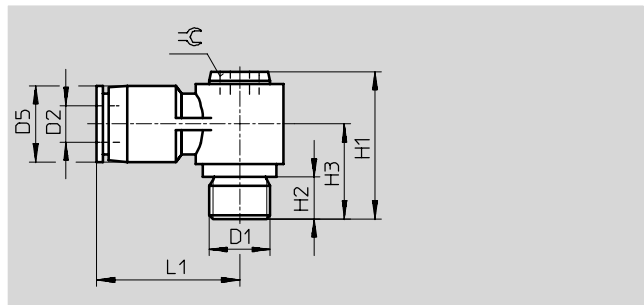
360° rotatable
Male thread
with internal hex



R thread



G thread



Dimensions and ordering data

Connection	Nominal size	Tubing O.D.	D5 ∅	H1	H2	H3	L1	≡	Weight/ piece [g]	Part No.	Type	PU*
D1	[mm]	D2										
R thread												
R $\frac{1}{8}$	4.6	6	13	24	8	11.5	23.5	5	15	153 097	QSLV- $\frac{1}{8}$ -6-I	10
	6	8	14	27	8	12	26.5	8	22	153 099	QSLV- $\frac{1}{8}$ -8-I	10
R $\frac{1}{4}$	4.6	6	13	27	11	12.5	23.5	5	21.5	153 098	QSLV- $\frac{1}{4}$ -6-I	10
	6	8	14	30	11	13	26.5	8	28	153 100	QSLV- $\frac{1}{4}$ -8-I	10
	8	10	18	34	11	14.5	30.5	10	41	153 102	QSLV- $\frac{1}{4}$ -10-I	10
R $\frac{3}{8}$	6	8	14	31	12	13.5	26.5	8	36.5	153 101	QSLV- $\frac{3}{8}$ -8-I	10
	8	10	18	35	12	15.5	30.5	10	49.5	153 103	QSLV- $\frac{3}{8}$ -10-I	10
	10	12	21	39	12	17	36.5	12	68	153 104	QSLV- $\frac{3}{8}$ -12-I	10
R $\frac{1}{2}$	10	12	21	42	15	16.5	36.5	12	83	153 105	QSLV- $\frac{1}{2}$ -12-I	1
G thread												
G $\frac{1}{8}$	4.6	6	13	22.5	4.6	14	23.7	5	-	186 148	QSLV-G $\frac{1}{8}$ -6-I	10
	6	8	14	25.5	4.6	14.5	26.7	8	-	186 150	QSLV-G $\frac{1}{8}$ -8-I	10
G $\frac{1}{4}$	4.6	6	13	24.5	6.6	16	23.7	5	-	186 149	QSLV-G $\frac{1}{4}$ -6-I	10
	6	8	14	27.5	6.6	16.5	26.7	8	-	186 151	QSLV-G $\frac{1}{4}$ -8-I	10
	8	10	18	31.5	6.6	18.5	30.7	10	-	186 153	QSLV-G $\frac{1}{4}$ -10-I	10
G $\frac{3}{8}$	6	8	14	29.5	8.1	18.5	26.7	8	-	186 152	QSLV-G $\frac{3}{8}$ -8-I	10
	8	10	18	33.5	8.1	20.5	30.7	10	-	186 154	QSLV-G $\frac{3}{8}$ -10-I	10
	10	12	21	37.5	8.1	22.5	36.4	12	-	186 155	QSLV-G $\frac{3}{8}$ -12-I	10
G $\frac{1}{2}$	10	12	21	40.5	11.1	25.5	36.4	12	-	186 156	QSLV-G $\frac{1}{2}$ -12-I	1

* Packaging unit quantity

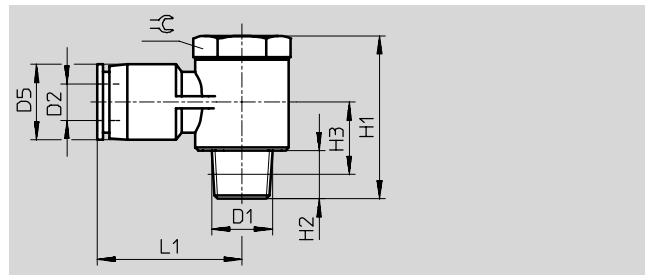
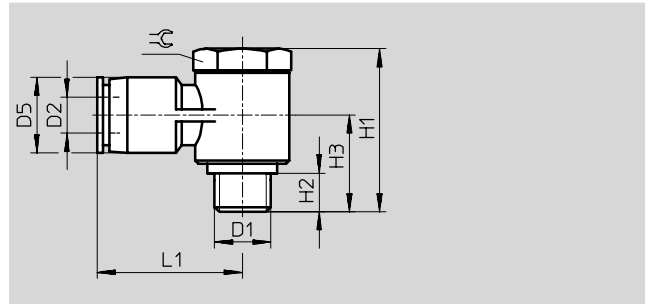
Push-in fittings QS, Quick Star

Technical data



Push-in L-fitting QSLV

360° rotatable
Male thread
with external hex



Dimensions and ordering data												
Connection	Nominal size	Tubing O.D.	D5	H1	H2	H3	L1	⌀	Weight/ piece	Part No.	Type	PU*
D1	[mm]	D2	∅						[g]			
Metric thread												
M5	1.8	6	12.5	17.2	2.9	10.4	23	8	85	190 666	QSLV-M-5-6	10
R thread												
R $\frac{1}{8}$	4	4	10	27	8	12	22.5	14	20	153 086	QSLV- $\frac{1}{8}$ -4	10
										130 749	QSLV- $\frac{1}{8}$ -4-100	100
	4	6	12.5	27	8	12	24	14	35.5	153 087	QSLV- $\frac{1}{8}$ -6	10
										130 750	QSLV- $\frac{1}{8}$ -6-100	100
	4	8	14.5	27	8	12	26	14	37	153 089	QSLV- $\frac{1}{8}$ -8	10
										130 751	QSLV- $\frac{1}{8}$ -8-50	50
R $\frac{1}{4}$	4.6	6	12.5	31.5	11	13.5	27	17	32.5	153 088	QSLV- $\frac{1}{4}$ -6	10
										130 752	QSLV- $\frac{1}{4}$ -6-100	100
	5.1	8	14.5	31.5	11	13.5	28.5	17	59.5	153 090	QSLV- $\frac{1}{4}$ -8	10
										130 753	QSLV- $\frac{1}{4}$ -8-50	50
	5.1	10	17.5	31.5	11	14.5	30.5	17	62.5	153 092	QSLV- $\frac{1}{4}$ -10	10
										130 754	QSLV- $\frac{1}{4}$ -10-50	50
R $\frac{3}{8}$	6	8	14.5	36	12	15.5	30.5	21	54.5	153 091	QSLV- $\frac{3}{8}$ -8	10
	6.6	10	17.5	36	12	15.5	33	21	66	153 093	QSLV- $\frac{3}{8}$ -10	10
	6.6	12	21	36	12	17	35	21	97.5	153 094	QSLV- $\frac{3}{8}$ -12	10
R $\frac{1}{2}$	8	12	21	40.5	15	16.5	38	24	100	153 095	QSLV- $\frac{1}{2}$ -12	1
	8	16	25	48.5	15	22	36.5	24	115	153 096	QSLV- $\frac{1}{2}$ -16	1

* Packaging unit quantity

Push-in fittings QS, Quick Star

Technical data

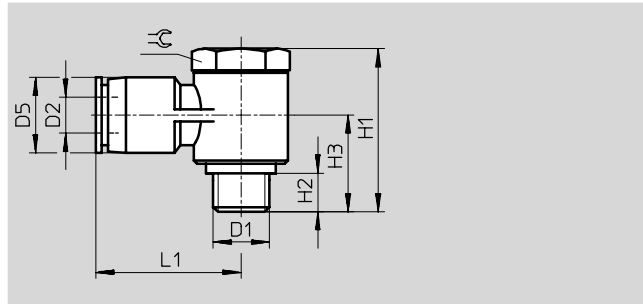


Push-in L-fitting QSLV

360° rotatable
Male thread
with external hex



G thread



Dimensions and ordering data												
Connection	Nominal size	Tubing O.D.	D5	H1	H2	H3	L1	⊕	Weight/ piece [g]	Part No.	Type	PU*
D1	[mm]	D2	∅									
G thread												
G ¹ / ₈	4	4	10	23.2	4.6	13.4	23.4	14	-	186 137	QSLV-G ¹ / ₈ -4	10
	4	6	12.4	23.2	4.6	13.4	25.5	14	-	186 138	QSLV-G ¹ / ₈ -6	10
	4	8	14.4	23.2	4.6	13.4	28.4	14	-	186 140	QSLV-G ¹ / ₈ -8	10
G ¹ / ₄	4.6	6	12.4	29.6	6.6	16.8	29	19	-	186 139	QSLV-G ¹ / ₄ -6	10
	5.1	8	14.4	29.6	6.6	16.8	28.9	19	-	186 141	QSLV-G ¹ / ₄ -8	10
	5.1	10	17.6	29.6	6.6	18.1	31.2	19	-	186 143	QSLV-G ¹ / ₄ -10	10
G ³ / ₈	6	8	14.4	34.6	8.1	20.3	31	24	-	186 142	QSLV-G ³ / ₈ -8	10
	6.6	10	17.6	34.6	8.1	20.3	33.6	24	-	186 144	QSLV-G ³ / ₈ -10	10
	6.6	12	21	34.6	8.1	22	36.4	24	-	186 145	QSLV-G ³ / ₈ -12	10
G ¹ / ₂	8	12	21	37.5	11.1	25	37.9	27	-	186 146	QSLV-G ¹ / ₂ -12	1
	8	16	25	46.6	11.1	28	38.1	27	-	186 147	QSLV-G ¹ / ₂ -16	1

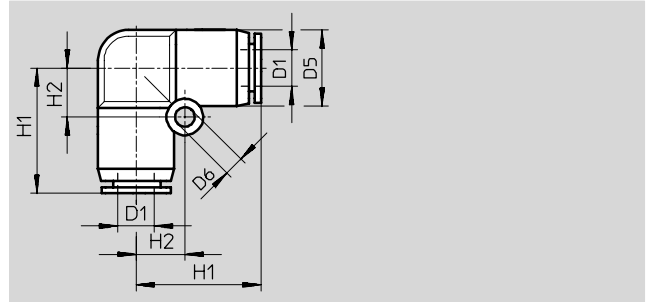
* Packaging unit quantity

Push-in fittings QS, Quick Star

Technical data



Push-in L-connector QSL



Dimensions and ordering data									
Tubing O.D.	Nominal size	D5	D6	H1	H2	Weight/piece	Part No.	Type	PU*
D1	[mm]	∅	∅			[g]			
4	2.8	10	-	17	-	5	153 070	QSL-4	10
							130 740	QSL-4-100	100
6	5	12.5	3.2	20.5	8	7.5	153 071	QSL-6	10
							130 741	QSL-6-100	100
8	7	15	4.2	22	10	10	153 072	QSL-8	10
							130 742	QSL-8-50	50
10	9	17.5	4.2	26	12	17	153 073	QSL-10	10
							130 743	QSL-10-50	50
12	11	21	4.2	29	14	24.5	153 074	QSL-12	10
							130 744	QSL-12-20	20
16	13	25	4.2	33	12	30	153 075	QSL-16	1

* Packaging unit quantity

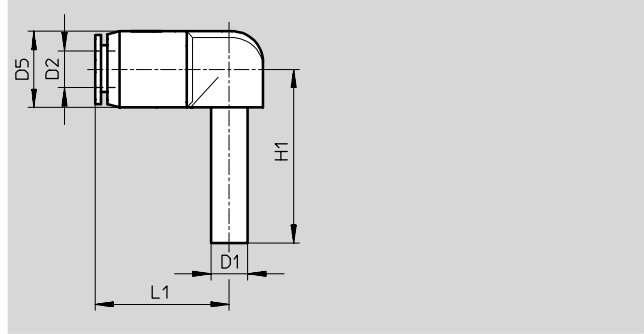
Core Range

Push-in fittings QS, Quick Star

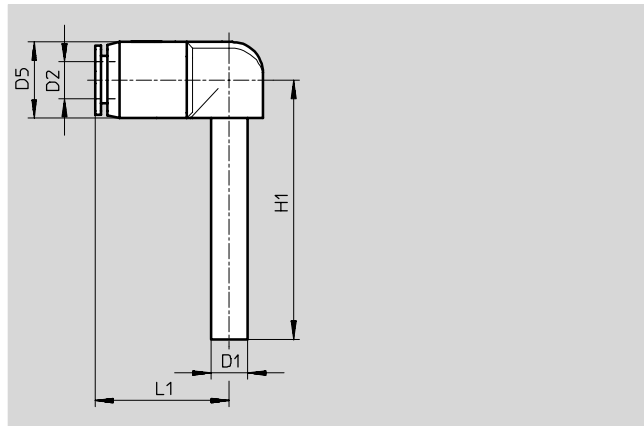
Technical data



Push-in L-connector QSL-...H
with push-in sleeve



Long push-in sleeve



Piping, tubing and fittings
Push-in fittings

5.4

Dimensions and ordering data									
Push-in sleeve Ø D1	Nominal size [mm]	Tubing O.D. D2	D5 Ø	H1	L1	Weight/piece [g]	Part No.	Type	PU*
4	2.5	4	10	25	20	3.5	153 056	QSL-4H	10
							130 745	QSL-4H-100	100
6	4	6	12.5	28.5	23	5.5	153 057	QSL-6H	10
							130 746	QSL-6H-100	100
8	6	8	14.5	30.5	26	8	153 058	QSL-8H	10
							130 747	QSL-8H-50	50
10	7.5	10	17.5	33.5	30	12.5	153 059	QSL-10H	10
							130 748	QSL-10H-50	50
12	9.5	12	21	38.5	32.5	17.5	153 060	QSL-12H	10
Reducing									
6	2.5	4	12.5	28.5	22	5.5	153 061	QSL-6H-4	10
8	4	6	14.5	30.5	26	7	153 062	QSL-8H-6	10
10	6	8	17.5	33.5	29	11	153 063	QSL-10H-8	10
12	7.5	10	21	39	32.5	17	153 064	QSL-12H-10	10
Long push-in sleeve									
4	2.5	4	10	36	20	4	153 065	QSL-4HL	10
6	4	6	12.5	42	23	5.5	153 066	QSL-6HL	10
8	6	8	14.5	46.5	25.5	8.5	153 067	QSL-8HL	10
10	7.5	10	17.5	51.5	29.5	13.5	153 068	QSL-10HL	10
12	9.5	12	21	53	32.5	19.5	153 069	QSL-12HL	10

* Packaging unit quantity

Push-in fittings QS, Quick Star



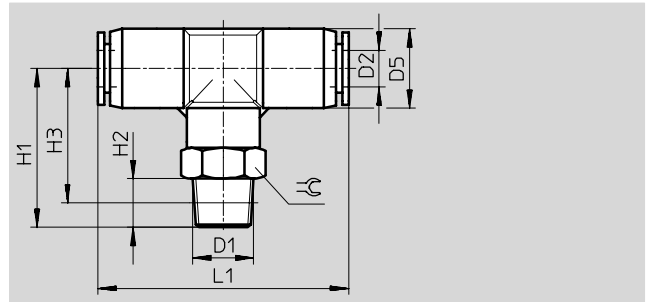
Technical data

Push-in T-fitting QST

360° rotatable
Male thread
with external hex



R thread



Dimensions and ordering data												
Connection	Nominal size	Tubing O.D.	D5	H1	H2	H3	L1	⌀	Weight/ piece	Part No.	Type	PU*
D1	[mm]	D2	∅						[g]			
R thread												
R $\frac{1}{8}$	3	4	10	23.5	8	19.5	34	10	14	153 106	QST- $\frac{1}{8}$ -4	10
										130 793	QST- $\frac{1}{8}$ -4-100	100
	4.6	6	13	26	8	22	41	12	17.5	153 107	QST- $\frac{1}{8}$ -6	10
										130 794	QST- $\frac{1}{8}$ -6-100	100
	6	8	15	26.5	8	22.5	45	14	22.5	153 109	QST- $\frac{1}{8}$ -8	10
									130 795	QST- $\frac{1}{8}$ -8-50	50	
	6	10	17.5	33	8	29.1	50.4	17	38.5	190 667	QST- $\frac{1}{8}$ -10	10
R $\frac{1}{4}$	3	4	10	26.3	11	20.3	33.8	14	24	190 668	QST- $\frac{1}{4}$ -4	10
	4.6	6	13	29	11	23	41	14	25.5	153 108	QST- $\frac{1}{4}$ -6	10
										130 796	QST- $\frac{1}{4}$ -6-100	100
	6	8	15	29.5	11	23.5	45	14	28	153 110	QST- $\frac{1}{4}$ -8	10
										130 797	QST- $\frac{1}{4}$ -8-50	50
	8	10	17.5	36	11	30	51	17	41.5	153 112	QST- $\frac{1}{4}$ -10	10
									130 798	QST- $\frac{1}{4}$ -10-50	50	
	8	12	21	38	11	32	56.8	21	61.5	190 669	QST- $\frac{1}{4}$ -12	10
R $\frac{3}{8}$	4.6	6	13	30.8	12	24.4	40.2	17	38.5	190 670	QST- $\frac{3}{8}$ -6	10
	6	8	15	31.5	12	25	45	17	41	153 111	QST- $\frac{3}{8}$ -8	10
										130 799	QST- $\frac{3}{8}$ -8-50	50
	8	10	17.5	37	12	30.5	51	17	50.5	153 113	QST- $\frac{3}{8}$ -10	10
										130 800	QST- $\frac{3}{8}$ -10-20	20
	10	12	21	39	12	32.5	56	21	61.5	153 114	QST- $\frac{3}{8}$ -12	10
									130 801	QST- $\frac{3}{8}$ -12-20	20	
	11	16	25	47	11	40.5	67	22	95	164 959	QST- $\frac{3}{8}$ -16	1
R $\frac{1}{2}$	8	10	17.5	40	15	31.9	50.4	21	72.5	190 672	QST- $\frac{1}{2}$ -10	1
	10	12	21	42	15	34	56	21	77	153 115	QST- $\frac{1}{2}$ -12	1
	13	16	25	51	15	43	67	22	99	153 116	QST- $\frac{1}{2}$ -16	1

* Packaging unit quantity

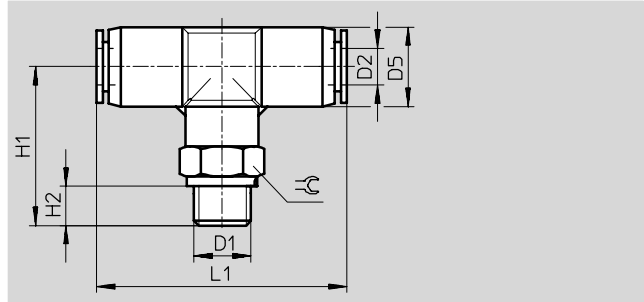
Push-in fittings QS, Quick Star

Technical data



Push-in T-fitting QST

360° rotatable
Male thread
with external hex



Dimensions and ordering data											
Connection	Nominal size	Tubing O.D.	D5	H1	H2	L1	⌀	Weight/ piece	Part No.	Type	PU*
D1	[mm]	D2	∅					[g]			
G thread											
G $\frac{1}{8}$	3	4	10	22.8	4.6	33.8	13	-	186 157	QST-G $\frac{1}{8}$ -4	10
	4.6	6	13	24.5	4.6	40.4	13	-	186 158	QST-G $\frac{1}{8}$ -6	10
	6	8	15	26.5	4.6	44.8	14	-	186 160	QST-G $\frac{1}{8}$ -8	10
G $\frac{1}{4}$	4.6	6	13	27.5	6.6	40.4	17	-	186 159	QST-G $\frac{1}{4}$ -6	10
	6	8	15	29.5	6.6	44.8	17	-	186 161	QST-G $\frac{1}{4}$ -8	10
	8	10	17.5	33.5	6.6	50.4	17	-	186 163	QST-G $\frac{1}{4}$ -10	10
G $\frac{3}{8}$	6	8	15	31.5	8.1	44.8	19	-	186 162	QST-G $\frac{3}{8}$ -8	10
	8	10	17.5	35.5	8.1	50.4	19	-	186 164	QST-G $\frac{3}{8}$ -10	10
	10	12	21	37.5	8.1	56.8	21	-	186 165	QST-G $\frac{3}{8}$ -12	10
	11	16	25	46.5	8.1	66.2	24	-	186 349	QST-G $\frac{3}{8}$ -16	10
G $\frac{1}{2}$	13	12	21	42.5	11.1	56.8	24	-	186 166	QST-G $\frac{1}{2}$ -12	1
	13	16	25	49.5	11.1	66.2	24	-	186 167	QST-G $\frac{1}{2}$ -16	1

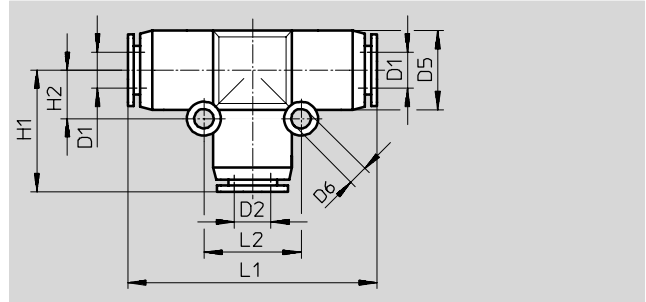
* Packaging unit quantity

Push-in fittings QS, Quick Star

Technical data



Push-in T-connector QST



Dimensions and ordering data													
Tubing O.D.	Nominal size	Tubing O.D.	D5	D6	H1	H2	L1	L2	Weight/ piece	Part No.	Type	PU*	
D1	[mm]	D2	∅	∅					[g]				
4	3	4	10	-	17	-	34	-	7	153 128	QST-4	10	
										130 802	QST-4-100	100	
6	4.6	6	13	3.2	20	8	40	16	10.5	153 129	QST-6	10	
										130 803	QST-6-100	100	
8	6	8	15	3.2	22	9	44	18	15.5	153 130	QST-8	10	
										130 804	QST-8-50	50	
10	8	10	18	4.2	25.5	12	51	24	25.5	153 131	QST-10	10	
										130 805	QST-10-50	50	
12	10	12	21.5	4.2	28	14	56	28	36	153 132	QST-12	10	
										130 806	QST-12-20	20	
16	13	16	25.5	4.2	33	12	66	24	43.5	153 133	QST-16	1	
Reducing													
6	3	4	13	3.2	20	8	41	16	11	153 134	QST-6-4	10	
										130 820	QST-6-4-100	100	
8	-	4	15	3.5	23.2	9	44.4	18	16	130 613	QST-8-4	10	
		5	6	15	3.2	20.5	9	45	18	153 135	QST-8-6	10	
											130 821	QST-8-6-100	100
10	-	6	17.5	4.2	27	12	50.4	24	25	130 614	QST-10-6	10	
		7	8	17.5	4.2	25	12	51	24	24	153 136	QST-10-8	10
											130 822	QST-10-8-50	50
12	-	8	21	4.2	29.8	14	56.8	28	38	130 615	QST-12-8	10	
		9	10	21	4.2	29.5	14	59	28	36	153 137	QST-12-10	10
											130 823	QST-12-10-20	20
16	-	12	25	4.2	33.2	12	66.2	24	45	130 616	QST-16-12	1	

* Packaging unit quantity

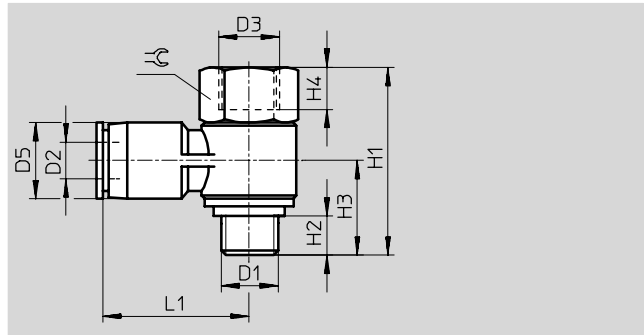
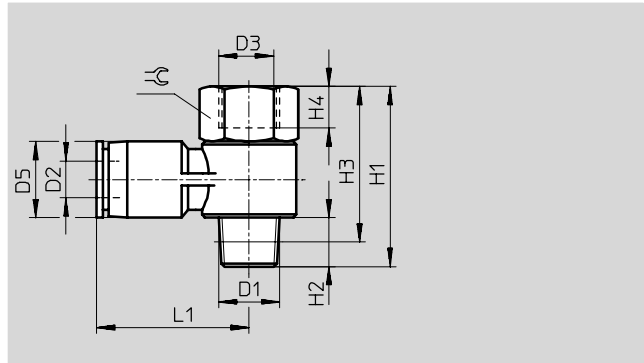
Core Range

Push-in fittings QS, Quick Star

Technical data



Push-in T-fitting QSTF
360° rotatable
with male and female thread



Dimensions and ordering data														
Connection	Nominal size	Tubing O.D.	D3	D5	H1	H2	H3	H4	L1	$\approx \text{C}$	Weight/ piece	Part No.	Type	PU*
D1	[mm]	D2	∅	∅							[g]			
R thread														
R $\frac{1}{8}$	3	4	G $\frac{1}{8}$	10	32.5	8	28.5	8	22	14	23	153 182	QSTF- $\frac{1}{8}$ -4-B	1
	4.6	6	G $\frac{1}{8}$	12.5	32.5	8	28.5	8	26.5	14	24	153 183	QSTF- $\frac{1}{8}$ -6-B	1
	5	8	G $\frac{1}{8}$	15	32.5	8	28.5	8	26	14	25.5	153 185	QSTF- $\frac{1}{8}$ -8-B	1
R $\frac{1}{4}$	4.6	6	G $\frac{1}{4}$	12.5	38.5	11	32.5	11	26.5	17	39	153 184	QSTF- $\frac{1}{4}$ -6-B	1
	6	8	G $\frac{1}{4}$	15	38.5	11	32.5	11	28	17	40.5	153 186	QSTF- $\frac{1}{4}$ -8-B	1
	6.5	10	G $\frac{1}{4}$	18.5	38.5	11	32.5	11	30.5	17	43.5	153 188	QSTF- $\frac{1}{4}$ -10-B	1
R $\frac{3}{8}$	6	8	G $\frac{3}{8}$	15	44.5	12	38	12	30	21	65	153 187	QSTF- $\frac{3}{8}$ -8-B	1
	8	10	G $\frac{3}{8}$	18.5	44.5	12	38	12	32.5	21	68.5	153 189	QSTF- $\frac{3}{8}$ -10-B	1
	8.5	12	G $\frac{3}{8}$	21.5	44.5	12	38	12	35	21	71.5	153 190	QSTF- $\frac{3}{8}$ -12-B	1
R $\frac{1}{2}$	10	12	G $\frac{1}{2}$	21.5	52	13	44	15	38	24	105	153 191	QSTF- $\frac{1}{2}$ -12-B	1
G thread with sealing ring														
G $\frac{1}{8}$	3	4	G $\frac{1}{8}$	10	25.5	4.6	13.4	7	23.4	14	-	186 199	QSTF-G $\frac{1}{8}$ -4	1
	4.6	6	G $\frac{1}{8}$	12.4	25.5	4.6	13.4	7	25.5	14	-	186 200	QSTF-G $\frac{1}{8}$ -6	1
	5	8	G $\frac{1}{8}$	14.4	25.5	4.6	14.4	7	28.4	14	-	186 202	QSTF-G $\frac{1}{8}$ -8	1
G $\frac{1}{4}$	4.6	6	G $\frac{1}{4}$	12.4	34.2	6.6	16.8	9	29	19	-	186 201	QSTF-G $\frac{1}{4}$ -6	1
	6	8	G $\frac{1}{4}$	14.4	34.2	6.6	16.8	9	28.9	19	-	186 203	QSTF-G $\frac{1}{4}$ -8	1
	6.5	10	G $\frac{1}{4}$	17.6	34.2	6.6	18.1	9	31.2	19	-	186 205	QSTF-G $\frac{1}{4}$ -10	1
G $\frac{3}{8}$	6	8	G $\frac{3}{8}$	14.4	39.6	8.1	20.3	11	31	24	-	186 204	QSTF-G $\frac{3}{8}$ -8	1
	8	10	G $\frac{3}{8}$	17.6	39.6	8.1	20.3	11	33.6	24	-	186 206	QSTF-G $\frac{3}{8}$ -10	1
	8.5	12	G $\frac{3}{8}$	21	39.6	8.1	22	11	36.4	24	-	186 207	QSTF-G $\frac{3}{8}$ -12	1
G $\frac{1}{2}$	10	12	G $\frac{1}{2}$	21	46.3	11.1	25	14	37.9	27	-	186 208	QSTF-G $\frac{1}{2}$ -12	1

* Packaging unit quantity

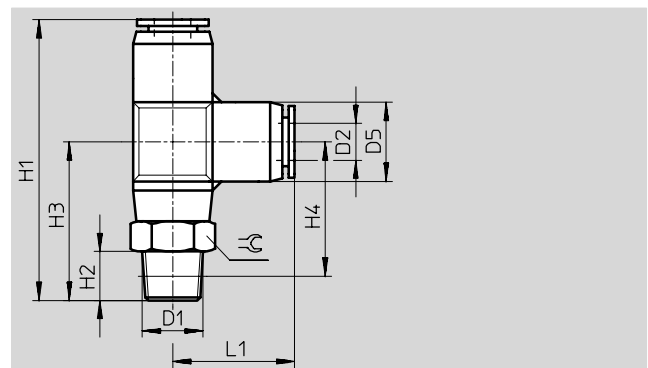
Push-in fittings QS, Quick Star

Technical data



Push-in T-fitting QSTL

360° rotatable
Male thread
with external hex



Dimensions and ordering data														
Connection	Nominal size	Tubing O.D.	D5	H1	H2	H3	H4	L1	⌀	Weight/ piece	Part No.	Type	PU*	
D1	[mm]	D2	∅							[g]				
R thread														
R $\frac{1}{8}$	3	4	10	41.5	8	24.5	20.5	17	10	14.5	153 117	QSTL- $\frac{1}{8}$ -4	10	
											130 824	QSTL- $\frac{1}{8}$ -4-100	100	
	4.6	6	13	46	8	26	22	20	12	17	153 118	QSTL- $\frac{1}{8}$ -6	10	
												130 825	QSTL- $\frac{1}{8}$ -6-100	100
	6	8	15	50.5	8	28.5	24	22	14	22.5	153 120	QSTL- $\frac{1}{8}$ -8	10	
											130 826	QSTL- $\frac{1}{8}$ -8-50	50	
R $\frac{1}{4}$	4.6	6	13	49	11	29	23	20	14	26	153 119	QSTL- $\frac{1}{4}$ -6	10	
											130 827	QSTL- $\frac{1}{4}$ -6-100	100	
	6	8	15	53.5	11	31.5	25	22	14	28.5	153 121	QSTL- $\frac{1}{4}$ -8	10	
											130 828	QSTL- $\frac{1}{4}$ -8-50	50	
	8	10	17.5	61.5	11	36	30	25.5	17	41.5	153 123	QSTL- $\frac{1}{4}$ -10	10	
											130 829	QSTL- $\frac{1}{4}$ -10-50	50	
R $\frac{3}{8}$	6	8	15	55	12	33	26.5	22	17	41	153 122	QSTL- $\frac{3}{8}$ -8	10	
	8	10	17.5	62.5	12	37	30.5	25.5	17	50.5	153 124	QSTL- $\frac{3}{8}$ -10	10	
	10	12	21	67	12	39	32.5	28	21	62.5	153 125	QSTL- $\frac{3}{8}$ -12	10	
R $\frac{1}{2}$	10	12	21	70	15	42	34	28	21	77.5	153 126	QSTL- $\frac{1}{2}$ -12	1	
	13	16	25	84.5	15	51	41	33.5	22	99	153 127	QSTL- $\frac{1}{2}$ -16	1	

* Packaging unit quantity

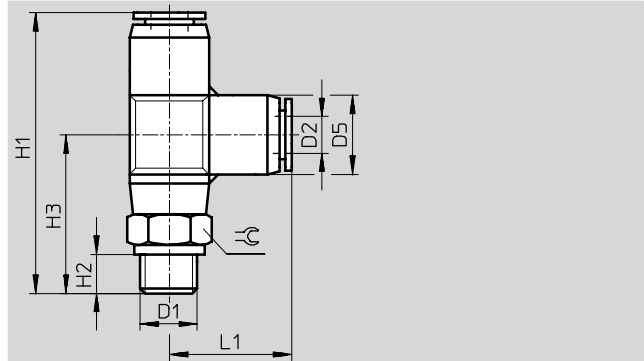
Push-in fittings QS, Quick Star

Technical data



Push-in T-fitting QSTL

360° rotatable
Male thread
with external hex



Dimensions and ordering data												
Connection	Nominal size	Tubing O.D.	D5	H1	H2	H3	L1	⌀	Weight/ piece	Part No.	Type	PU*
D1	[mm]	D2	∅						[g]			
G thread with sealing ring												
G ¹ / ₈	3	4	10	39.7	4.6	22.8	16.9	13	-	186 168	QSTL-G ¹ / ₈ -4	10
	4.6	6	13	44.7	4.6	24.5	20.2	13	-	186 169	QSTL-G ¹ / ₈ -6	10
	6	8	15	48.9	4.6	26.7	22.2	14	-	186 171	QSTL-G ¹ / ₈ -8	10
G ¹ / ₄	4.6	6	13	47.7	6.6	27.5	20.2	17	-	186 170	QSTL-G ¹ / ₄ -6	10
	6	8	15	51.9	6.6	29.7	22.2	17	-	186 172	QSTL-G ¹ / ₄ -8	10
	8	10	17.5	58.7	6.6	33.5	25.2	17	-	186 174	QSTL-G ¹ / ₄ -10	10
G ³ / ₈	6	8	15	53.9	8.1	31.7	22.2	19	-	186 173	QSTL-G ³ / ₈ -8	10
	8	10	17.5	60.7	8.1	35.5	25.2	19	-	186 175	QSTL-G ³ / ₈ -10	10
	10	12	21	65.9	8.1	37.7	28.2	21	-	186 176	QSTL-G ³ / ₈ -12	10
G ¹ / ₂	10	12	21	70.9	11.1	42.7	28.2	24	-	186 177	QSTL-G ¹ / ₂ -12	1
	13	16	25	82.6	11.1	49.5	33.1	24	-	186 178	QSTL-G ¹ / ₂ -16	1

* Packaging unit quantity

Push-in fittings QS, Quick Star

Technical data



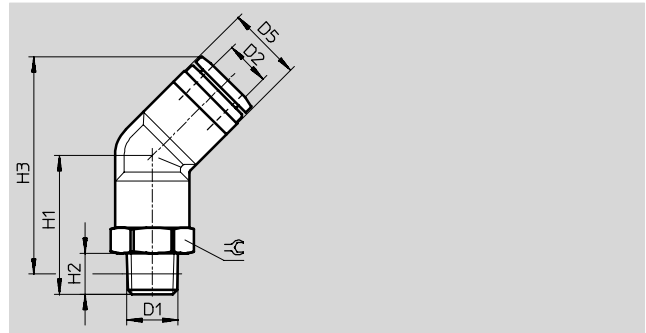
Push-in angled fitting QSW

360° rotatable

Male thread



R thread

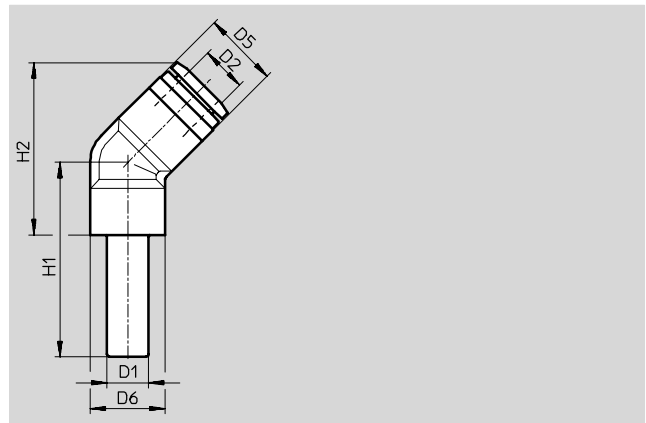


Dimensions and ordering data										
Connection	Tubing O.D.	D5	H1	H2	H3	⌀	Weight/ piece [g]	Part No.	Type	PU*
D1	D2									
R thread										
R $\frac{1}{8}$	4	8	14.8	8	23	10	6.1	130 596	QSW- $\frac{1}{8}$ -4	10
	6	10.5	16.4	8	25.3	10	6.8	130 597	QSW- $\frac{1}{8}$ -6	10
	8	14.5	27	8	42.2	14	18	130 598	QSW- $\frac{1}{8}$ -8	10
R $\frac{1}{4}$	6	10.5	21.4	11	28.2	14	17.9	130 599	QSW- $\frac{1}{4}$ -6	10
	8	14.5	30	11	43.2	14	24	130 600	QSW- $\frac{1}{4}$ -8	10
	10	17.5	34.2	11	50.6	17	34	130 601	QSW- $\frac{1}{4}$ -10	10
R $\frac{3}{8}$	10	17.5	35.2	12	51.3	17	42	130 602	QSW- $\frac{3}{8}$ -10	10
	12	21	39	12	60	21	66	130 603	QSW- $\frac{3}{8}$ -12	10
R $\frac{1}{2}$	12	21	42	15	61.2	21	80	130 604	QSW- $\frac{1}{2}$ -12	1
	16	25	47	15	67.6	22	83	130 605	QSW- $\frac{1}{2}$ -16	1

* Packaging unit quantity

Push-in angled connector QSW...HL

with push-in sleeve



Dimensions and ordering data										
Push-in sleeve ⌀	Tubing O.D.	D5	D6	H1	H2	Weight/ piece [g]	Part No.	Type	PU*	
D1	D2									
4	4	8	9.3	25.3	17.5	1.9	130 617	QSW-4HL	10	
6	6	10.5	10.4	28.5	20.8	3	130 618	QSW-6HL	10	
8	8	14.5	14.5	37.5	33.2	7.8	130 619	QSW-8HL	10	
10	10	17.5	17.5	42.2	39.7	13	130 620	QSW-10HL	10	
12	12	21	21	49.5	48.4	20	130 621	QSW-12HL	10	

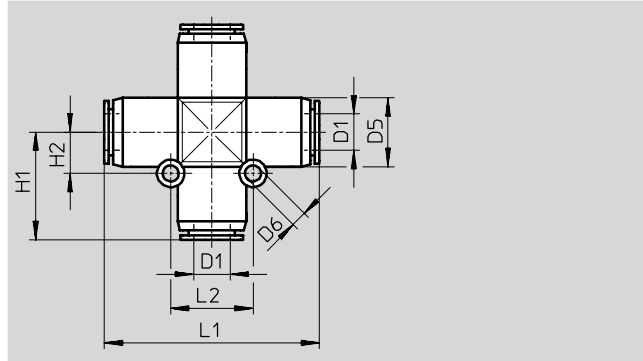
* Packaging unit quantity

Push-in fittings QS, Quick Star

Technical data



Push-in X-connector QSX



Dimensions and ordering data											
Tubing O.D.	Nominal size	D5	D6	H1	H2	L1	L2	Weight/ piece	Part No.	Type	PU*
D1	[mm]	∅	∅					[g]			
8	7	15	3.5	23.5	9	47	18	20	153 285	QSX-8	10
10	9	17.5	4.5	27.5	11	55	22	32	153 286	QSX-10	10
12	11	21	4.5	31	12	62	24	46	153 287	QSX-12	10

* Packaging unit quantity

Push-in fittings QS, Quick Star

Technical data

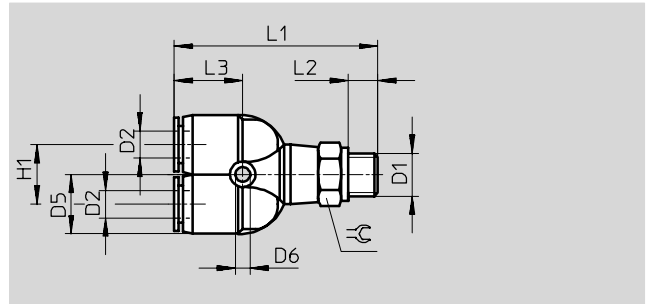


Push-in Y-fitting QSY

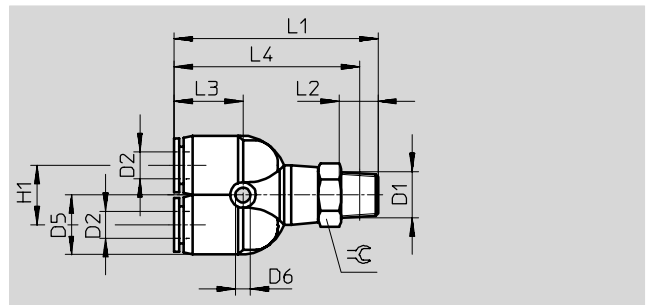
360° rotatable
Male thread
with external hex



M thread



R thread



Dimensions and ordering data														
Connection	Nominal size [mm]	Tubing O.D.	D5 ∅	D6 ∅	H1	L1	L2	L3	L4	⌀	Weight/ piece [g]	Part No.	Type	PU*
D1		D2												
Metric thread with sealing ring														
M5	1.8	4	10	3.4	11	37.4	2.9	13.9	-	10	12	190 673	QSY-M5-4	10
	1.8	6	12.5	3.2	12	41.1	2.9	15.5	-	12	16	190 674	QSY-M5-6	10
R thread														
R1/8	3	4	10	3.4	11	41	8	14.5	38	10	15	153 138	QSY-1/8-4	10
	4.6	6	13	3.2	12	44.5	8	16	40.5	12	18	153 139	QSY-1/8-6	10
	6	8	15	3.2	14	49	8	17.5	45	14	23.5	153 141	QSY-1/8-8	10
R1/4	3	4	10	3.4	11	43.6	11	14.1	37.6	14	23	190 675	QSY-1/4-4	10
	4.6	6	13	3.2	12	47.5	11	16	41.5	14	25	153 140	QSY-1/4-6	10
	6	8	15	3.2	14	52	11	17.5	46	14	29.5	153 142	QSY-1/4-8	10
	7.5	10	18	4.5	18	58.5	11	20	52.5	17	43	153 144	QSY-1/4-10	10
R3/8	6	8	15	3.2	14	53.5	12	17.5	47	17	42.5	153 143	QSY-3/8-8	10
	7.5	10	18	4.5	18	59.5	12	20	53	17	51.5	153 145	QSY-3/8-10	10
	9	12	21	4.5	20	64.5	12	22.5	58	21	64.5	153 146	QSY-3/8-12	10
R1/2	9	12	21	4.5	20	67.5	15	22.5	59.5	21	79.5	153 147	QSY-1/2-12	10

* Packaging unit quantity

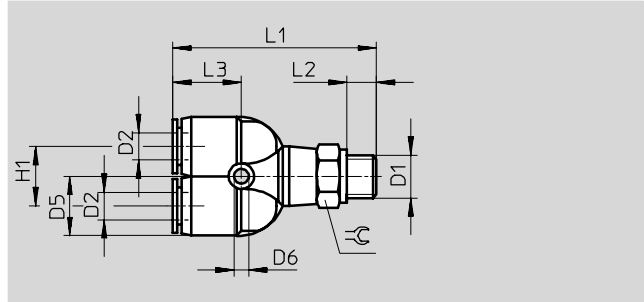
Push-in fittings QS, Quick Star

Technical data



Push-in Y-fitting QSY

360° rotatable
Male thread
with external hex



Dimensions and ordering data													
Connection	Nominal size	Tubing O.D.	D5	D6	H1	L1	L2	L3	⌀	Weight/ piece [g]	Part No.	Type	PU*
D1	[mm]	D2	∅	∅									
G thread with sealing ring													
G ¹ / ₈	3	4	10	3.4	11	40.1	4.6	14.1	13	-	186 179	QSY-G ¹ / ₈ -4	10
	4.6	6	13	3.2	12	42.9	4.6	15.8	13	-	186 180	QSY-G ¹ / ₈ -6	10
	6	8	15	3.2	14	47.2	4.6	17.2	14	-	186 182	QSY-G ¹ / ₈ -8	10
G ¹ / ₄	4.6	6	13	3.2	12	45.9	6.6	15.8	17	-	186 181	QSY-G ¹ / ₄ -6	10
	6	8	15	3.2	14	50.2	6.6	17.2	17	-	186 183	QSY-G ¹ / ₄ -8	10
	7.5	10	18	4.5	18	55.8	6.6	19.5	17	-	186 185	QSY-G ¹ / ₄ -10	10
G ³ / ₈	6	8	15	3.2	14	52.2	8.1	17.2	19	-	186 184	QSY-G ³ / ₈ -8	10
	7.5	10	18	4.5	18	57.8	8.1	19.5	19	-	186 186	QSY-G ³ / ₈ -10	10
	9	12	21.5	4.2	20	63	8.1	22.2	21	-	186 187	QSY-G ³ / ₈ -12	10
G ¹ / ₂	9	12	21.5	4.2	20	68	11.1	22.2	24	-	186 188	QSY-G ¹ / ₂ -12	1

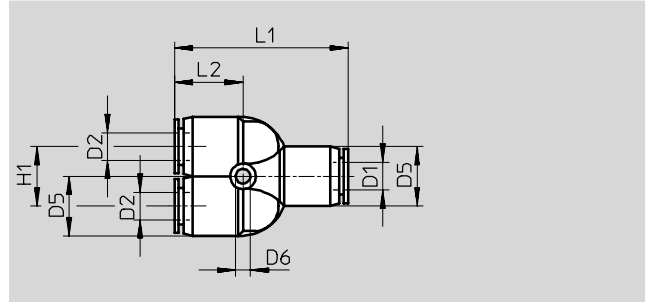
* Packaging unit quantity

Push-in fittings QS, Quick Star

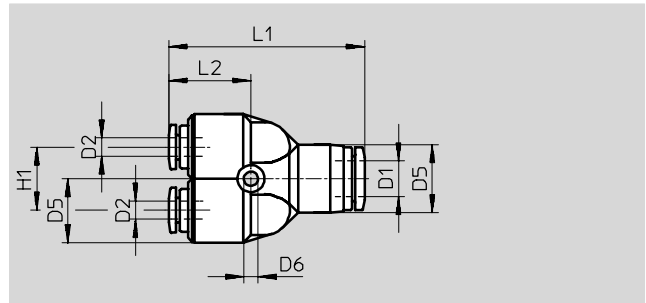
Technical data



Push-in Y-connector QSY



2 reducing outlets



Reducing

Dimensions and ordering data											
Tubing O.D. D1	Nominal size [mm]	Tubing O.D. D2	D5 ∅	D6 ∅	H1	L1	L2	Weight/ piece [g]	Part No.	Type	PU*
4	3	4	10	3.4	11	32.8	14.1	8	153 148	QSY-4	10
									130 807	QSY-4-100	100
6	4.6	6	12.5	3.4	12	37.7	15.8	10.5	153 149	QSY-6	10
									130 808	QSY-6-100	100
8	6	8	14.5	3.2	14	42.4	17.2	15.5	153 150	QSY-8	10
									130 809	QSY-8-50	50
10	7.5	10	18	4.5	18	48.4	19.5	25.5	153 151	QSY-10	10
									130 810	QSY-10-20	20
12	9	12	21	4.2	20	54.8	22.2	37	153 152	QSY-12	10
									130 811	QSY-12-20	20
16	-	16	25	4.5	24	62.2	22.1	45	130 609	QSY-16	1
Reducing											
6	3	4	13	3.2	12	37.5	15	10.5	153 153	QSY-6-4	10
									130 812	QSY-6-4-100	100
8	-	4	15	3.2	14	43.3	18.2	17	130 610	QSY-8-4	10
									153 154	QSY-8-6	10
10	-	6	18	4.5	18	50.2	21.3	27	130 611	QSY-10-6	10
									153 155	QSY-10-8	10
12	-	8	21	4.2	20	56.4	23.8	40	130 612	QSY-12-8	10
									153 156	QSY-12-10	10
16	11	12	25	4.5	25	66.7	26.6	77	190 708	QSY-16-12	1

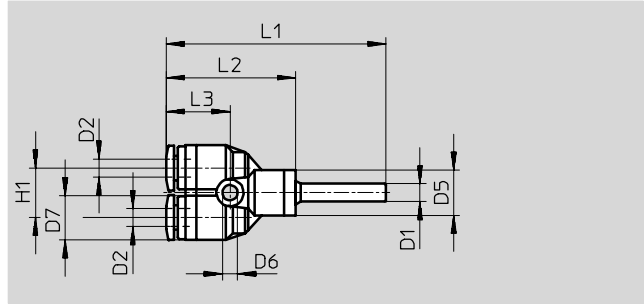
* Packaging unit quantity

Push-in fittings QS, Quick Star

Technical data



Push-in Y-connector QSY-...H
with push-in sleeve



Dimensions and ordering data												
Push-in sleeve Ø	Tubing O.D.	D5	D6	D7	H1	L1	L2	L3	Weight/ piece [g]	Part No.	Type	PU*
D1	D2	Ø	Ø	Ø								
4	4	10	3.4	10	11	48.7	28.6	14.1	6.5	130 628	QSY-4H	10
6	6	12.5	3.2	12.5	12	55.6	33	15.8	9.4	130 629	QSY-6H	10
8	8	13	3.2	14.5	14	59.2	35.7	17.2	13	130 630	QSY-8H	10
10	10	18	4.5	18	18	68.5	43.5	19.5	23	130 631	QSY-10H	10
12	12	21.5	4.5	21	20	78.3	49.8	22.2	34	130 632	QSY-12H	10
Reducing												
6	4	10	3.4	10	11	50.9	28.6	14.1	6.8	130 633	QSY-6H-4	10
8	6	12.8	3.2	12.5	12	56.5	33	15.8	9.5	130 634	QSY-8H-6	10
10	8	15	3.2	14.5	14	62.7	37.7	17.2	15	130 635	QSY-10H-8	10
12	10	18	4.5	18	18	69.8	41.3	19.5	23	130 636	QSY-12H-10	10

* Packaging unit quantity

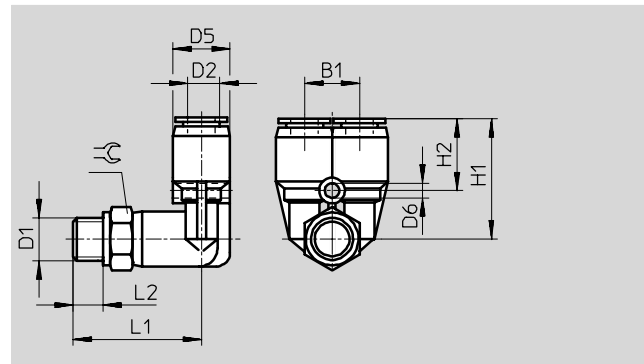
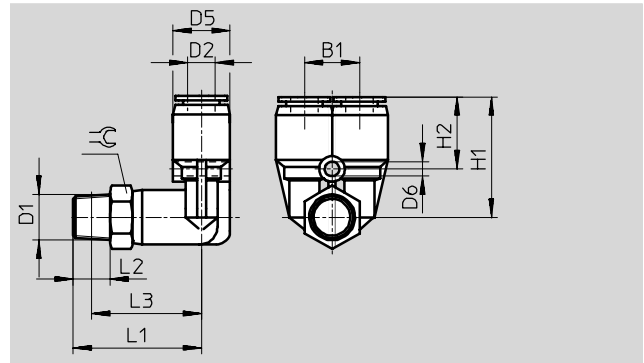
Push-in fittings QS, Quick Star

Technical data



Push-in Y-fitting QSYL

360° rotatable
Male thread
with external hex



Dimensions and ordering data																
Connection	Nominal size [mm]	Tubing O.D. D2	B1	D5 ∅	D6 ∅	H1	H2	L1	L2	L3	≈	Weight/ piece [g]	Part No.	Type	PU*	
R thread																
R $\frac{1}{8}$	3	4	11	10	3.2	23	14.5	24.5	8	20.5	10	15.5	153 172	QSYL- $\frac{1}{8}$ -4	1	
	4.6	6	12	13	4.2	26.5	16	28	8	24	14	18.5	153 173	QSYL- $\frac{1}{8}$ -6	1	
	6	8	14	15	4.2	29.5	17	31	8	27	14	25	153 175	QSYL- $\frac{1}{8}$ -8	1	
R $\frac{1}{4}$	4.6	6	12	13	4.2	26.5	16	31	11	25	14	26.5	153 174	QSYL- $\frac{1}{4}$ -6	1	
	6	8	14	15	4.2	29.5	17	34	11	28	14	30.5	153 176	QSYL- $\frac{1}{4}$ -8	1	
	8	10	18	18	4.2	34	19	37	11	31	17	45	153 178	QSYL- $\frac{1}{4}$ -10	1	
R $\frac{3}{8}$	6	8	14	15	4.2	29.5	17	36	12	29.5	17	44	153 177	QSYL- $\frac{3}{8}$ -8	1	
	8	10	18	18	4.2	34	19	38	12	31.5	17	53.5	153 179	QSYL- $\frac{3}{8}$ -10	1	
	10	12	20	22	4.2	35.5	20.5	42	12	35.5	21	67	153 180	QSYL- $\frac{3}{8}$ -12	1	
R $\frac{1}{2}$	10	12	20	22	4.2	35.5	20.5	45	15	37	21	83	153 181	QSYL- $\frac{1}{2}$ -12	1	
G thread with sealing ring																
G $\frac{1}{8}$	3	4	11	10	3.2	22.7	14.5	24.2	4.6	-	13	-	186 189	QSYL-G $\frac{1}{8}$ -4	1	
	4.6	6	12	13	4.2	26.2	15.5	26.5	4.6	-	13	-	186 190	QSYL-G $\frac{1}{8}$ -6	1	
	6	8	14	15	4.2	29.4	17	29.5	4.6	-	14	-	186 192	QSYL-G $\frac{1}{8}$ -8	1	
G $\frac{1}{4}$	4.6	6	12	13	4.2	26.2	15.5	29.5	6.6	-	17	-	186 191	QSYL-G $\frac{1}{4}$ -6	1	
	6	8	14	15	4.2	29.4	17	32.5	6.6	-	17	-	186 193	QSYL-G $\frac{1}{4}$ -8	1	
	8	10	18	18	4.2	33.5	19	34.5	6.6	-	17	-	186 195	QSYL-G $\frac{1}{4}$ -10	1	
G $\frac{3}{8}$	6	8	14	15	4.2	29.4	17	34.5	8.1	-	19	-	186 194	QSYL-G $\frac{3}{8}$ -8	1	
	8	10	18	18	4.2	33.5	19	36.5	8.1	-	19	-	186 196	QSYL-G $\frac{3}{8}$ -10	1	
	10	12	20	22	4.2	35.2	20.5	40.7	8.1	-	21	-	186 197	QSYL-G $\frac{3}{8}$ -12	1	
G $\frac{1}{2}$	10	12	20	22	4.2	35.2	20.5	45.7	11.1	-	24	-	186 198	QSYL-G $\frac{1}{2}$ -12	1	

* Packaging unit quantity

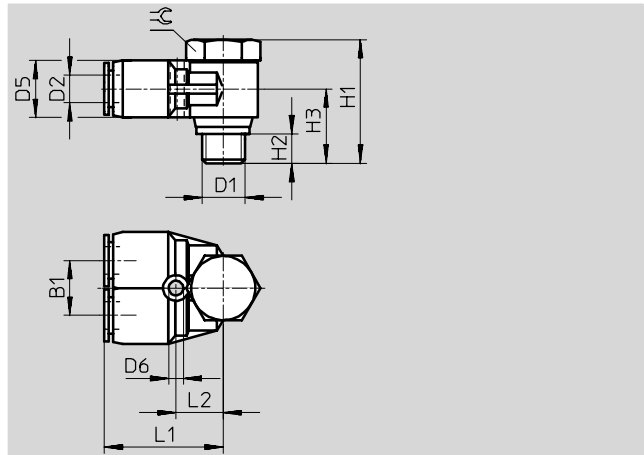
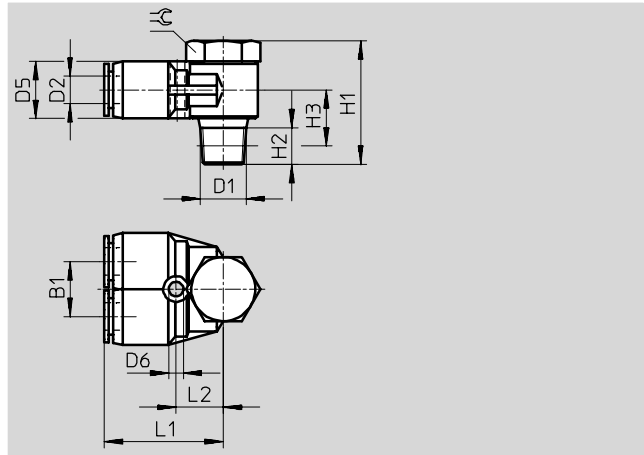
Push-in fittings QS, Quick Star

Technical data



Push-in Y-fitting QSYLV

360° rotatable
Male thread
with external hex



Piping, tubing and fittings
Push-in fittings

5.4

Dimensions and ordering data															
Connection	Nominal size	Tubing O.D.	B1	D5	D6	H1	H2	H3	L1	L2	⌀	Weight/ piece	Part No.	Type	PU*
D1	[mm]	D2		∅	∅							[g]			
R thread															
R $\frac{1}{8}$	4.6	6	12	12.5	3.2	27	8	11	26	10.5	14	24.5	153 192	QSYLV- $\frac{1}{8}$ -6	1
R $\frac{1}{4}$	6	8	14	14.5	3.2	31.5	11	12.5	29	12.5	17	41.5	153 193	QSYLV- $\frac{1}{4}$ -8	1
R $\frac{3}{8}$	8	10	17	17.5	4.2	36	12	14.5	33.5	15	21	69.5	153 194	QSYLV- $\frac{3}{8}$ -10	1
R $\frac{1}{2}$	10	12	20	21	4.2	40	15	17.5	37.5	17	24	102	153 195	QSYLV- $\frac{1}{2}$ -12	1
G thread with sealing ring															
G $\frac{1}{8}$	4.6	6	12	12.4	3.2	25.7	4.6	14.5	27.5	12	17	-	186 209	QSYLV-G $\frac{1}{8}$ -6	1
G $\frac{1}{4}$	6	8	14	14.4	3.2	23.9	6.6	17.2	30.9	14	19	-	186 210	QSYLV-G $\frac{1}{4}$ -8	1
G $\frac{3}{8}$	8	10	17	17.6	4.2	34.9	8.1	20.7	34	15.5	21	-	186 211	QSYLV-G $\frac{3}{8}$ -10	1
G $\frac{1}{2}$	10	12	20	21	4.2	40.9	11.1	25.2	38.9	18.5	27	-	186 212	QSYLV-G $\frac{1}{2}$ -12	1

* Packaging unit quantity

Push-in fittings QS, Quick Star

Technical data

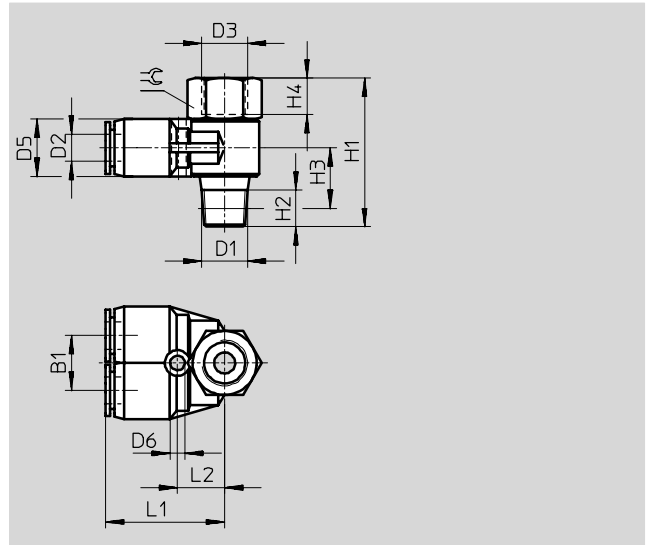


Push-in Y-fitting QSYTF

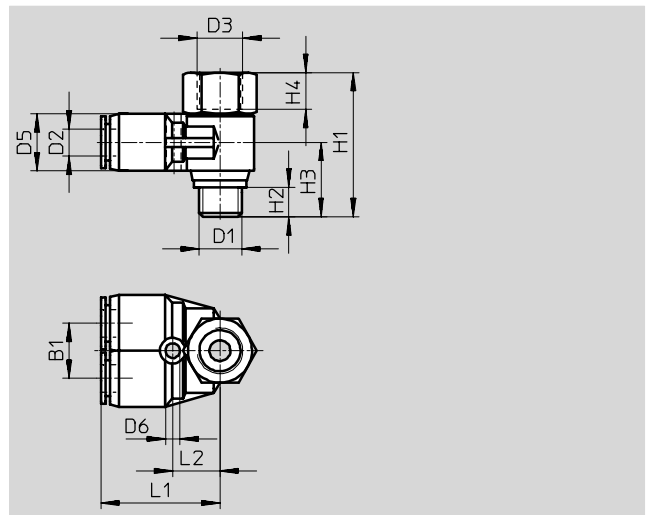
Male and female thread with external hex



R thread



G thread



Dimensions and ordering data																	
Connection	Nominal size [mm]	Tubing O.D. D2	B1	D3 ∅	D5 ∅	D6 ∅	H1	H2	H3	H4	L1	L2	⊖	Weight/ piece [g]	Part No.	Type	PU*
R male thread and G thread female																	
R $\frac{1}{8}$	4.6	6	12	G $\frac{1}{8}$	12.5	3.2	32.5	8	16	8	26	10.5	14	27	153 196	QSYTF- $\frac{1}{8}$ -6-B	1
R $\frac{1}{4}$	6	8	14	G $\frac{1}{4}$	14.5	3.2	38.5	11	19.5	11	29	12.5	17	45	153 197	QSYTF- $\frac{1}{4}$ -8-B	1
R $\frac{3}{8}$	8	10	17	G $\frac{3}{8}$	18	4.2	44.5	12	26	12	33.5	15	21	74.5	153 198	QSYTF- $\frac{3}{8}$ -10-B	1
R $\frac{1}{2}$	10	12	20	G $\frac{1}{2}$	21.5	4.2	52	13	30.5	15	37.5	17	24	106	153 199	QSYTF- $\frac{1}{2}$ -12-B	1
G male thread with sealing ring																	
G $\frac{1}{8}$	4	6	-	G $\frac{1}{8}$	12.4	3.2	28.7	4.6	12	7	27.5	12	17	-	186 213	QSYTF-G $\frac{1}{8}$ -6	1
G $\frac{1}{4}$	6	8	-	G $\frac{1}{4}$	14.4	3.2	33.9	6.6	14	9	30.9	14	19	-	186 214	QSYTF-G $\frac{1}{4}$ -8	1
G $\frac{3}{8}$	8	10	-	G $\frac{3}{8}$	17.6	4.2	42.9	8.1	17	11	34	15.5	21	-	186 215	QSYTF-G $\frac{3}{8}$ -10	1
G $\frac{1}{2}$	10	12	-	G $\frac{1}{2}$	21	4.2	50.9	11.1	20	14	38.9	18.5	27	-	186 216	QSYTF-G $\frac{1}{2}$ -12	1

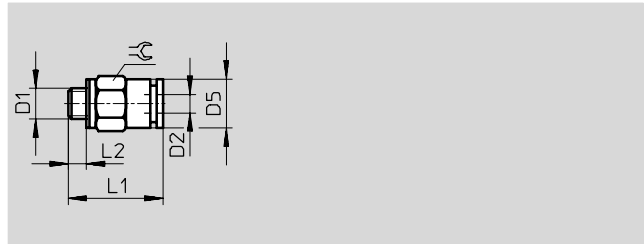
* Packaging unit quantity

Push-in fittings QSM-B, Quick Star, mini

Technical data

Push-in fitting QSM-B

Male thread
with external hex

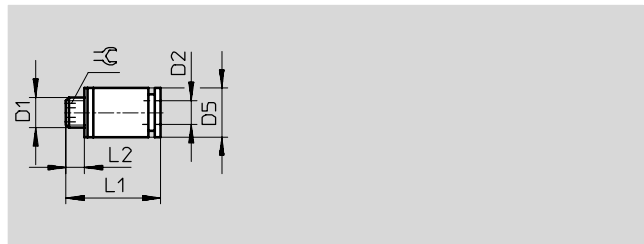


Dimensions and ordering data										
Connection	Nominal size	Tubing O.D.	D5	L1	L2	$\approx \zeta$	Weight/piece	Part No.	Type	PU*
D1	[mm]	D2	\varnothing				[g]			
Metric thread with sealing ring										
M3	1.1	4	7.8	15.7	2.5	8	2.4	130 894	QSM-B-M3-4-20	20
M5	2.2	4	7.8	16.2	3	8	3.2	130 895	QSM-B-M5-4-20	20
	2.1	6	9.8	17.3	3	10	4.5	130 896	QSM-B-M5-6-20	20

* Packaging unit quantity

Push-in fitting QSM-B-...-I

Male thread
with internal hex



Dimensions and ordering data										
Connection	Nominal size	Tubing O.D.	D5	L1	L2	$\approx \zeta$	Weight/piece	Part No.	Type	PU*
D1	[mm]	D2	\varnothing				[g]			
Metric thread with sealing ring										
M3	1.5	4	8	15.7	2.5	1.5	2.2	130 909	QSM-B-M3-4-I-20	20
M5	2.6	4	8	16.2	3.0	2.5	3	130 910	QSM-B-M5-4-I-20	20
	2.6	6	9.8	17.8	3.0	2.5	4.4	130 911	QSM-B-M5-6-I-20	20
M7	2.3	4	9.8	18.9	5.5	3.0	6	130 912	QSM-B-M7-4-I-20	20
	2.9	6	9.8	20.9	5.5	4.0	6.4	130 913	QSM-B-M7-6-I-20	20

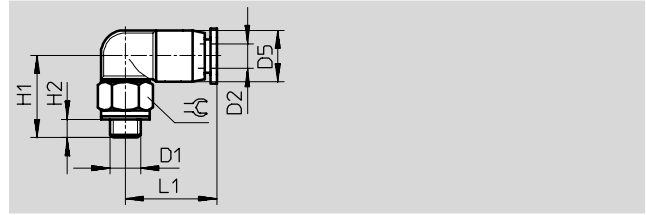
* Packaging unit quantity

Push-in fittings QSM-B, Quick Star, mini

Technical data

Push-in L-fitting QSML-B

360° rotatable
Male thread
with external hex

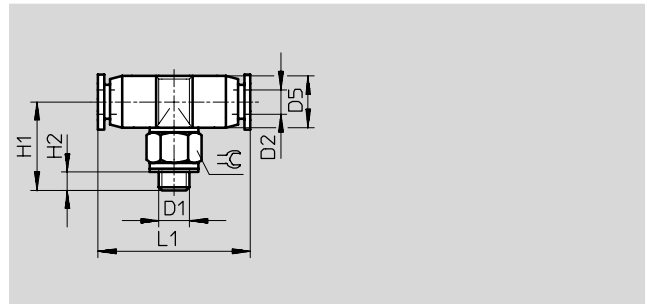


Dimensions and ordering data											
Connection	Nominal size	Tubing O.D.	D5 ∅	H1	H2	L1	≈	Weight/ piece [g]	Part No.	Type	PU*
D1	[mm]	D2									
Metric thread with sealing ring											
M3	1.3	4	8	14	2.5	15.7	8	3	130 899	QSML-B-M3-4-20	20
M5	1.7	4	8	13.5	3	15.7	8	3.4	130 900	QSML-B-M5-4-20	20
	2.1	6	10.5	14.5	3	16.3	8	4.1	130 901	QSML-B-M5-6-20	20

* Packaging unit quantity

Push-in T-fitting QSMT-B

360° rotatable
Male thread
with external hex



Dimensions and ordering data											
Connection	Nominal size	Tubing O.D.	D5 ∅	H1	H2	L1	≈	Weight/ piece [g]	Part No.	Type	PU*
D1	[mm]	D2									
Metric thread with sealing ring											
M3	1.3	4	8	15	2.5	26.2	8	3.9	130 904	QSMT-B-M3-4-20	20
M5	2.2	4	8	14.5	3	26.2	8	4.3	130 905	QSMT-B-M5-4-20	20
	2.1	6	10.5	15.5	3	28.4	8	5.6	130 906	QSMT-B-M5-6-20	20

* Packaging unit quantity

Push-in fittings QS-B, Quick Star

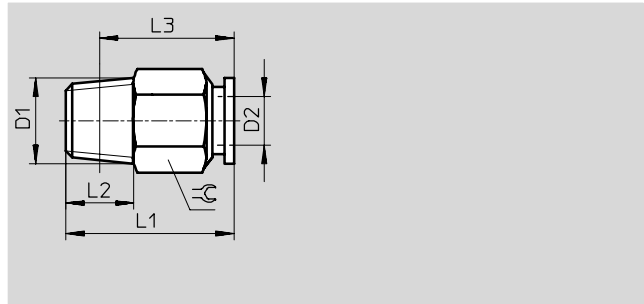
Technical data

Push-in fitting QS-B

Male thread
with external hex



R thread



Dimensions and ordering data

Connection	Nominal size	Tubing O.D.	L1	L2	L3	⌀	Weight/ piece	Part No.	Type	PU*
D1	[mm]	D2					[g]			
R thread										
R $\frac{1}{8}$	2.6	4	21	8	17	10	8.3	130 914	QS-B- $\frac{1}{8}$ -4-20	20
	4	6	22.6	8	18.6	12	9.3	130 915	QS-B- $\frac{1}{8}$ -6-20	20
	5.1	8	27.9	8	23.9	14	16	130 916	QS-B- $\frac{1}{8}$ -8-20	20
R $\frac{1}{4}$	2.6	4	21	11	15	14	16	130 917	QS-B- $\frac{1}{4}$ -4-20	20
	4	6	24.6	11	18.5	14	18	130 918	QS-B- $\frac{1}{4}$ -6-20	20
	5.1	8	26.6	11	20.6	14	16	130 919	QS-B- $\frac{1}{4}$ -8-20	20
R $\frac{3}{8}$	4	6	23.6	12	17.2	17	28	130 920	QS-B- $\frac{3}{8}$ -6-10	10
	5.1	8	23.9	12	17.6	17	24	130 921	QS-B- $\frac{3}{8}$ -8-10	10
	6.7	10	29.3	12	23	17	27	130 922	QS-B- $\frac{3}{8}$ -10-10	10
R $\frac{1}{2}$	6.7	10	30.3	15	22.1	21	50	130 924	QS-B- $\frac{1}{2}$ -10-10	10
	8.7	12	33.9	15	25.7	21	50	130 925	QS-B- $\frac{1}{2}$ -12-10	10

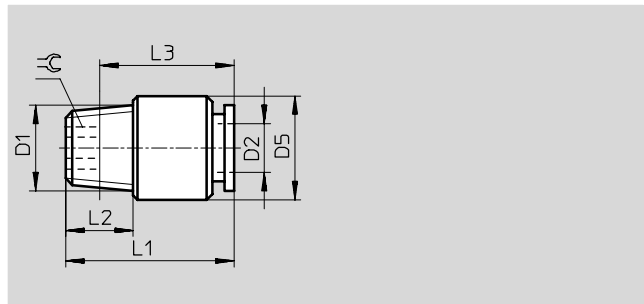
* Packaging unit quantity

Push-in fitting QS-B-...-I

Male thread
with internal hex



R thread



Dimensions and ordering data

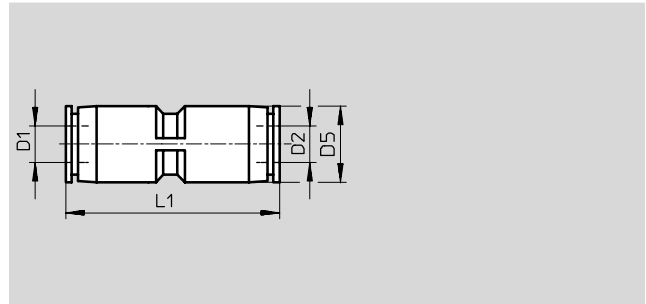
Connection	Nominal size	Tubing O.D.	D5	L1	L2	L3	⌀	Weight/ piece	Part No.	Type	PU*
D1	[mm]	D2	⌀					[g]			
R thread											
R $\frac{1}{8}$	2.1	4	9.7	21	8	17	2.5	7.6	130 990	QS-B- $\frac{1}{8}$ -4-I-20	20
	3.7	6	11.8	22.6	8	18.6	4	8.1	130 991	QS-B- $\frac{1}{8}$ -6-I-20	20
	4.7	8	13.7	27.9	8	23.9	5	14	130 992	QS-B- $\frac{1}{8}$ -8-I-20	20
R $\frac{1}{4}$	3.7	6	14	22.6	11	16.5	4	15	130 994	QS-B- $\frac{1}{4}$ -6-I-20	20
	5.1	8	14	26.6	11	20.6	6	15	130 995	QS-B- $\frac{1}{4}$ -8-I-20	20
R $\frac{3}{8}$	5.1	8	16.8	23.9	12	17.6	6	23	130 997	QS-B- $\frac{3}{8}$ -8-I-10	10
	5.1	10	17.8	29.3	12	23	6	28	130 998	QS-B- $\frac{3}{8}$ -10-I-10	10
R $\frac{1}{2}$	5.1	10	20.8	30.3	15	22.1	6	49	132 000	QS-B- $\frac{1}{2}$ -10-I-10	10
	7.1	12	20.8	33.9	15	25.7	8	49	132 001	QS-B- $\frac{1}{2}$ -12-I-10	10

* Packaging unit quantity

Push-in fittings QS-B, Quick Star

Technical data

Push-in fitting QS-B

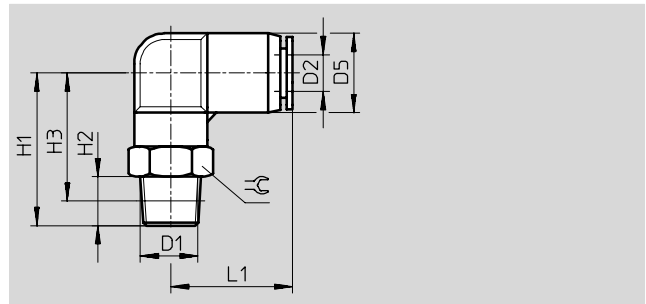


Dimensions and ordering data								
Tubing O.D.	Nominal size	Tubing O.D.	D5	L1	Weight/ piece	Part No.	Type	PU*
D1	[mm]	D2	∅		[g]			
4	2.6	4	10	30.8	4.7	130 964	QS-B-4-20	20
6	4	6	12.5	34.9	6.5	130 965	QS-B-6-20	20
8	5.1	8	14.5	37.8	9.4	130 966	QS-B-8-20	20
10	6.7	10	17.5	43.4	16	130 967	QS-B-10-10	10
12	8.7	12	21	47.8	22	130 968	QS-B-12-10	10
Reducing								
6	2.6	4	12.5	34.4	6.4	130 969	QS-B-6-4-20	20
8	4	6	14.5	37.9	8.8	130 970	QS-B-8-6-20	20
10	5.1	8	17.5	43.1	14	130 971	QS-B-10-8-20	20
12	6.7	10	21	47.6	21	130 972	QS-B-12-10-10	10

* Packaging unit quantity

Push-in L-fitting QSL-B

360° rotatable
Male thread
with external hex



Dimensions and ordering data												
Connection	Nominal size	Tubing O.D.	D5	H1	H2	H3	L1	∅	Weight/ piece	Part No.	Type	PU*
D1	[mm]	D2	∅						[g]			
R thread												
R ¹ / ₈	2.3	4	10	23.3	8	19.3	18	10	11	130 926	QSL-B-¹/₈-4-20	20
	3.6	6	12.5	25	8	21	19.8	12	14	130 927	QSL-B-¹/₈-6-20	20
	4.6	8	14.5	28	8	24	22.7	14	19	130 928	QSL-B-¹/₈-8-20	20
R ¹ / ₄	2.3	4	10	26.3	11	20.8	18	14	21	130 929	QSL-B-¹/₄-4-20	20
	3.6	6	12.5	28	11	22.5	19.8	14	22	130 930	QSL-B-¹/₄-6-20	20
	4.6	8	14.5	31	11	25.5	22.7	14	24	130 931	QSL-B-¹/₄-8-20	20
R ³ / ₈	3.6	6	12.5	29.8	12	23.8	19.8	17	35	130 932	QSL-B-³/₈-6-10	10
	4.6	8	14.5	32.8	12	26.8	22.7	17	37	130 933	QSL-B-³/₈-8-10	10
	6.2	10	17.5	37	12	31	26.2	17	43	130 934	QSL-B-³/₈-10-10	10
R ¹ / ₂	6.2	10	17.5	40	15	32.5	26.2	21	65	130 936	QSL-B-¹/₂-10-10	10
	7.7	12	21	42	15	34.5	29.4	21	67	130 937	QSL-B-¹/₂-12-10	10

* Packaging unit quantity

Push-in fittings QS-B, Quick Star

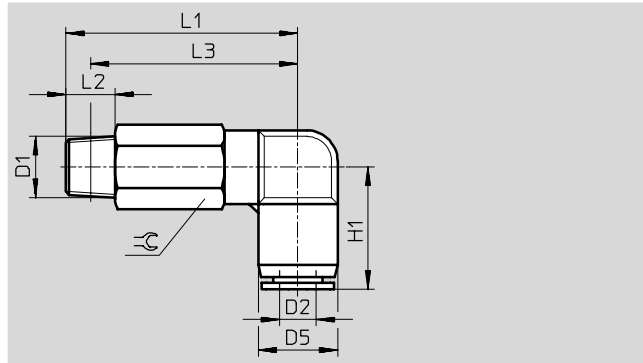
Technical data

Push-in long L-fitting QSLL-B

360° rotatable
Male thread
with external hex



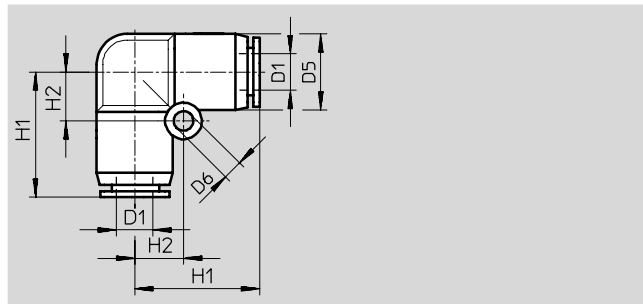
R thread



Dimensions and ordering data												
Connection	Nominal size	Tubing O.D.	D5	H1	L1	L2	L3	☉	Weight/ piece	Part No.	Type	PU*
D1	[mm]	D2	∅						[g]			
R thread												
R $\frac{1}{8}$	2.3	4	10	18	36.3	8	31.3	10	17	132 002	QSLL-B- $\frac{1}{8}$ -4-20	20
	3.6	6	12.5	19.8	40.3	8	34	12	26	132 003	QSLL-B- $\frac{1}{8}$ -6-20	20
	4.6	8	14.5	22.7	46.8	8	39.5	14	37	132 004	QSLL-B- $\frac{1}{8}$ -8-20	20
R $\frac{1}{4}$	3.6	6	12.5	19.8	41.2	11	35.5	14	39	132 006	QSLL-B- $\frac{1}{4}$ -6-20	20
	4.6	8	14.5	22.7	47.7	11	41	14	43	132 007	QSLL-B- $\frac{1}{4}$ -8-20	20
R $\frac{3}{8}$	3.5	6	12.5	19.8	43.2	12	37.3	17	62	132 008	QSLL-B- $\frac{3}{8}$ -6-10	10
	4.8	8	14.5	22.7	49.2	12	42.5	17	66	132 009	QSLL-B- $\frac{3}{8}$ -8-10	10
	6.2	10	17.5	26.2	57.9	12	49.5	17	74	132 010	QSLL-B- $\frac{3}{8}$ -10-10	10
R $\frac{1}{2}$	6.4	10	17.5	26.2	60.6	15	52.5	21	121	132 012	QSLL-B- $\frac{1}{2}$ -10-10	10
	8.3	12	21	29.4	66.3	15	56.5	21	123	132 013	QSLL-B- $\frac{1}{2}$ -12-10	10

* Packaging unit quantity

Push-in L-connector QSL-B



Dimensions and ordering data									
Tubing O.D.	Nominal size	D5	D6	H1	H2	Weight/ piece	Part No.	Type	PU*
D1	[mm]	∅	∅			[g]			
4	2.3	10	3.2	16.9	6.5	5.1	130 950	QSL-B-4-20	20
6	3.6	12.5	3.2	20.1	8	7.3	130 951	QSL-B-6-20	20
8	4.6	15	4.2	22.4	10	11	130 952	QSL-B-8-20	20
10	6.2	17.5	4.2	26.2	12	17	130 953	QSL-B-10-10	10
12	7.7	21	4.2	29.4	14	25	130 954	QSL-B-12-10	10

* Packaging unit quantity

Push-in fittings QS-B, Quick Star

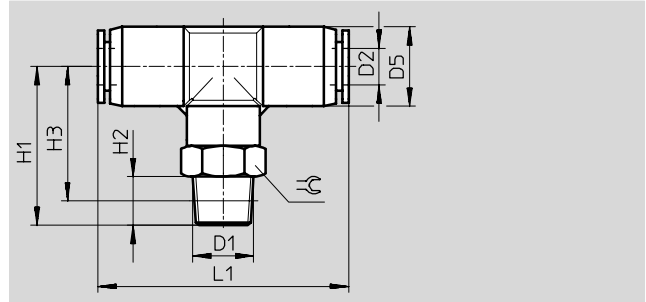
Technical data


Push-in T-fitting QST-B

360° rotatable
Male thread
with external hex



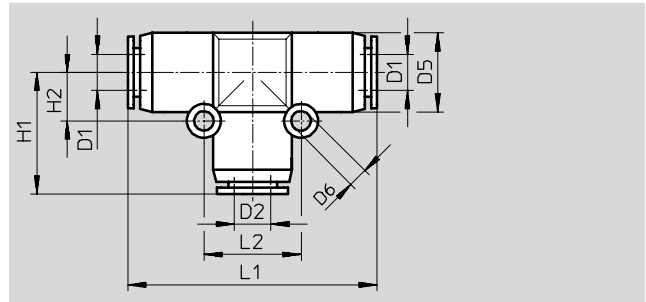
R thread



Dimensions and ordering data												
Connection	Nominal size	Tubing O.D.	D5	H1	H2	H3	L1		Weight/ piece	Part No.	Type	PU*
D1	[mm]	D2	∅						[g]			
R thread												
R $\frac{1}{8}$	2.3	4	10	23.3	8	19.3	33.8	10	14	130 938	QST-B-$\frac{1}{8}$-4-20	20
	3.6	6	13	26	8	22	40.3	12	18	130 939	QST-B-$\frac{1}{8}$-6-20	20
	4.6	8	15	26.3	8	22.3	44.8	14	23	130 940	QST-B-$\frac{1}{8}$-8-20	20
R $\frac{1}{4}$	2.3	4	10	26.3	11	20.8	33.8	14	23	130 941	QST-B-$\frac{1}{4}$-4-20	20
	3.6	6	13	29	11	23.5	40.3	14	26	130 942	QST-B-$\frac{1}{4}$-6-20	20
	4.6	8	15	29.3	11	23.8	44.8	14	29	130 943	QST-B-$\frac{1}{4}$-8-20	20
R $\frac{3}{8}$	3.6	6	13	30.8	12	24.8	40.3	17	39	130 944	QST-B-$\frac{3}{8}$-6-10	10
	4.6	8	15	31.1	12	25.1	44.8	17	42	130 945	QST-B-$\frac{3}{8}$-8-10	10
	6.2	10	17.5	37	12	31	50.4	17	50	130 946	QST-B-$\frac{3}{8}$-10-10	10
R $\frac{1}{2}$	6.2	10	17.5	40	15	32.5	50.4	21	72	130 948	QST-B-$\frac{1}{2}$-10-10	10
	7.7	12	21	42	15	34.5	56.8	21	78	130 949	QST-B-$\frac{1}{2}$-12-10	10

* Packaging unit quantity

Push-in T-connector QST-B



Dimensions and ordering data												
Tubing O.D.	Nominal size	Tubing O.D.	D5	D6	H1	H2	L1	L2	Weight/ piece	Part No.	Type	PU*
D1	[mm]	D2	∅	∅					[g]			
4	2.6	4	10	3.2	16.9	6.5	33.8	13	7.5	130 973	QST-B-4-20	20
6	4	6	13	3.5	20.1	8	40.1	16	11	130 974	QST-B-6-20	20
8	5.1	8	15	3.5	22.2	9	44.4	18	16	130 975	QST-8-8-20	20
10	6.7	10	17.5	4.2	25.2	12	50.4	24	25	130 976	QST-B-10-10	10
12	8.7	12	21	4.2	28.2	14	56.8	28	36	130 977	QST-B-12-10	10

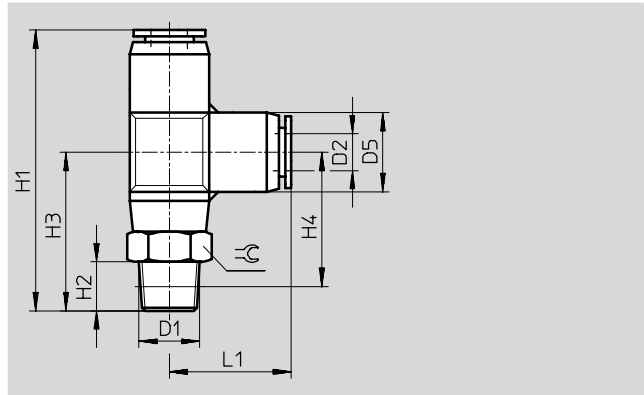
* Packaging unit quantity


Push-in fittings QS-B, Quick Star

Technical data

Push-in T-fitting QSTL-B

360° rotatable
Male thread
with external hex



Dimensions and ordering data													
Connection	Nominal size	Tubing O.D.	D5	H1	H2	H3	H4	L1		Weight/ piece	Part No.	Type	PU*
D1	[mm]	D2	∅							[g]			
R thread													
R $\frac{1}{8}$	2.6	4	10	40.2	8	23.3	19.3	16.9	10	14	130 978	QSTL-B-$\frac{1}{8}$-4-20	20
	4	6	13	46.2	8	26	22	20.1	12	18	130 979	QSTL-B-$\frac{1}{8}$-6-20	20
	5.1	8	15	50.4	8	28.2	24.2	22.2	14	23	130 980	QSTL-B-$\frac{1}{8}$-8-20	20
R $\frac{1}{4}$	2.6	4	10	43.2	11	25.8	20.3	16.9	14	23	130 981	QSTL-B-$\frac{1}{4}$-4-20	20
	4	6	13	49.2	11	28.5	23	20.1	14	26	130 982	QSTL-B-$\frac{1}{4}$-6-20	20
	5.1	8	15	53.4	11	30.7	25.2	22.2	14	29	130 983	QSTL-B-$\frac{1}{4}$-8-20	20
R $\frac{3}{8}$	4	6	13	51	12	30.5	24.5	20.1	17	39	130 984	QSTL-B-$\frac{3}{8}$-6-10	10
	5.1	8	15	55.2	12	32.7	26.7	22.2	17	42	130 985	QSTL-B-$\frac{3}{8}$-8-10	10
	6.7	10	17.5	62.2	12	36.7	30.7	25.2	17	50	130 986	QSTL-B-$\frac{3}{8}$-10-10	10
R $\frac{1}{2}$	6.7	10	17.5	62.2	15	39.3	31.8	25.2	21	72	130 988	QSTL-B-$\frac{1}{2}$-10-10	10
	8.7	12	21	70.6	15	41.5	34	28.2	21	78	130 989	QSTL-B-$\frac{1}{2}$-12-10	10

* Packaging unit quantity

Push-in fittings QS-B, Quick Star

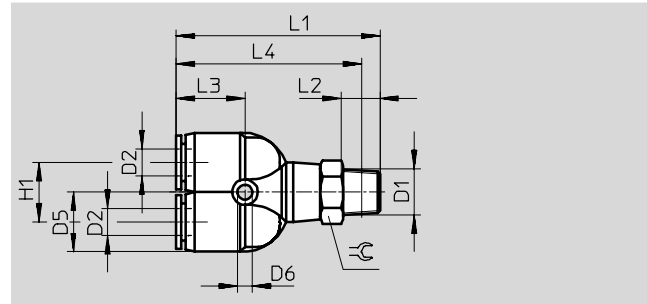
Technical data

Push-in Y-fitting QSY-B

360° rotatable
Male thread
with external hex



R thread



Dimensions and ordering data														
Connection	Nominal size	Tubing O.D.	D5	D6	H1	L1	L2	L3	L4	±	Weight/ piece	Part No.	Type	PU*
D1	[mm]	D2	∅	∅							[g]			
R ¹ / ₈	2.3	4	10	3.4	11	40.6	8	14.1	36.6	10	14	132 014	QSY-B-¹/₈-4-20	20
	3.6	6	12.5	3.4	12	44.4	8	15.8	40.4	12	18	132 015	QSY-B-¹/₈-6-20	20
	4.6	8	14.5	3.4	14	48.7	8	17.2	44.7	14	24	132 016	QSY-B-¹/₈-8-20	20
R ¹ / ₄	2.3	4	10	3.4	11	43.6	11	14.1	37.6	14	23	132 017	QSY-B-¹/₄-4-20	20
	3.6	6	12.5	3.4	12	47.4	11	15.8	41.3	14	26	132 018	QSY-B-¹/₄-6-20	20
	4.6	8	14.5	3.4	14	51.5	11	17.2	45.7	14	29	132 019	QSY-B-¹/₄-8-20	20
R ³ / ₈	3.6	6	12.5	3.4	12	49.2	12	15.8	42.8	17	40	132 020	QSY-B-³/₈-6-10	10
	4.6	8	14.5	3.4	14	53.5	12	17.2	47.2	17	43	132 021	QSY-B-³/₈-8-10	10
	6.2	10	18	4.5	18	59.3	12	19.5	53	17	52	132 022	QSY-B-³/₈-10-10	10
R ¹ / ₂	6.2	10	18	4.5	18	62.3	15	19.5	54.1	21	74	132 024	QSY-B-¹/₂-10-10	10
	6.9	12	21	4.2	20	67.5	15	22.2	59.3	21	81	132 025	QSY-B-¹/₂-12-10	10

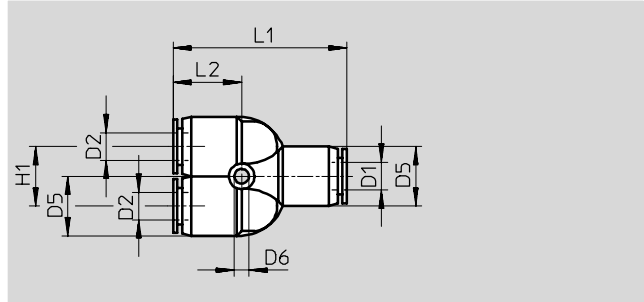
* Packaging unit quantity

Push-in fittings QS-B, Quick Star

Technical data



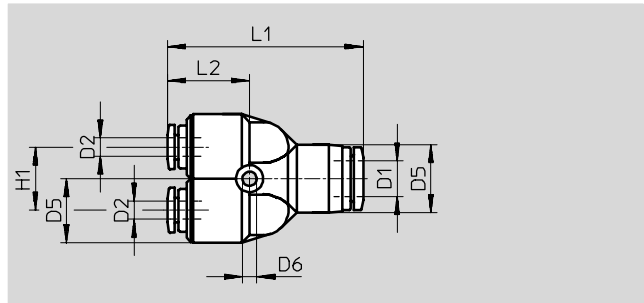
Push-in Y-connector QSY-B



2 reducing outlets



Reducing



Dimensions and ordering data

Tubing O.D. D1	Nominal size [mm]	Tubing O.D. D2	D5 ∅	D6 ∅	H1	L1	L2	Weight/ piece [g]	Part No.	Type	PU*
4	2.3	4	10	3.4	11	32.8	14.1	7.6	130 955	QSY-B-4-20	20
6	3.6	6	13	3.4	12	37.7	15.8	11	130 956	QSY-B-6-20	20
8	4.6	8	15	3.4	14	42.4	17.2	16	130 957	QSY-B-8-20	20
10	5.9	10	18	4.5	18	48.4	19.5	26	130 958	QSY-B-10-10	10
12	7	12	21.5	4.2	20	54.8	22.2	37	130 959	QSY-B-12-10	10
Reducing											
6	2.3	4	13	3.4	12	37.2	15.2	11	130 960	QSY-B-6-4-20	20
8	3.6	6	15	3.4	14	42.5	17.3	15	130 961	QSY-B-8-6-20	20
10	4.7	8	18	4.5	18	48.1	19.2	23	130 962	QSY-B-10-8-10	10
12	5.9	10	21.5	4.2	20	54.6	22	36	130 963	QSY-B-12-10-10	10

* Packaging unit quantity

Push-in fittings QS-F, Quick Star, metal



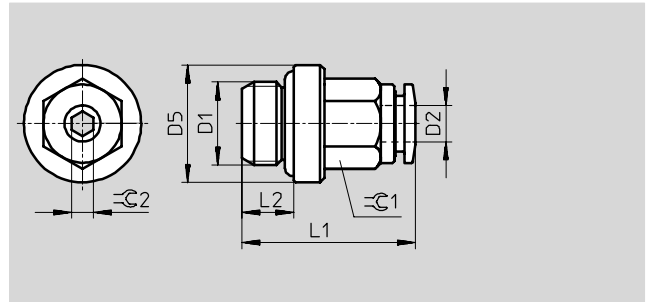
Technical data

Push-in fitting QS-F

Male thread
with external hex



M and G thread



Dimensions and ordering data											
Connection	Nominal size	Tubing O.D.	D5	L1	L2	≈C1	≈C2	Weight/piece	Part No.	Type	PU*
D1	[mm]	D2	∅					[g]			
Metric thread											
M5	2.6	4	8	20.5	4	9	2.5	6.1	533 844	QS-F-M5-4	10
	2.6	6	8	23	4	11	2.5	9.3	533 845	QS-F-M5-6	10
M7	2.6	4	10.2	22	5.5	9	2.5	6.9	533 846	QS-F-M7-4	10
	3.6	6	11	25.3	5.5	11	3.5	10.3	533 847	QS-F-M7-6	10
G thread with sealing ring											
G ¹ / ₈	2.6	4	13.5	19.5	5.5	9	2.5	8.9	193 408	QS-F-G ¹ / ₈ -4	10
	4.2	6	13.5	24.8	5.5	11	4	12	193 409	QS-F-G ¹ / ₈ -6	10
	5.2	8	12.8	26.5	5.5	13	5	14	193 410	QS-F-G ¹ / ₈ -8	10
G ¹ / ₄	4.2	6	17	22.8	6.5	11	4	16	193 411	QS-F-G ¹ / ₄ -6	10
	6.2	8	17	24	6.5	13	6	16	193 412	QS-F-G ¹ / ₄ -8	10
	7.3	10	16	28.9	6.5	16	7	23.7	193 413	QS-F-G ¹ / ₄ -10	10
	7.3	12	16	31.9	6.5	19	7	32	533 848	QS-F-G ¹ / ₄ -12	10
G ³ / ₈	6.2	8	20	24	7.5	13	6	23.3	193 414	QS-F-G ³ / ₈ -8	10
	8.3	10	21	29.4	7.5	16	8	30	193 415	QS-F-G ³ / ₈ -10	10
	10.3	12	22	31.9	7.5	19	10	38.1	193 487	QS-F-G ³ / ₈ -12	10
G ¹ / ₂	8.3	10	24	28.9	9	16	8	42	193 416	QS-F-G ¹ / ₂ -10	1
	10.3	12	24	31.4	9	19	10	46	193 417	QS-F-G ¹ / ₂ -12	1

* Packaging unit quantity

Core Range

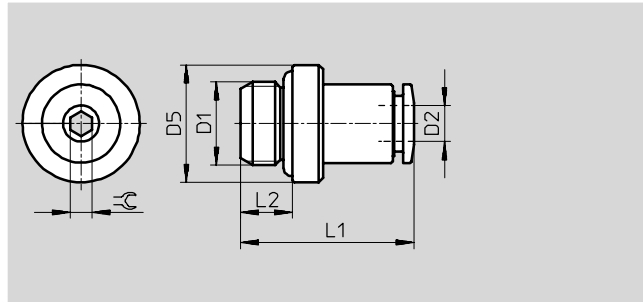
Push-in fittings QS-F, Quick Star, metal

Technical data



Push-in fitting QS-F-...-I

Male thread
with internal hex

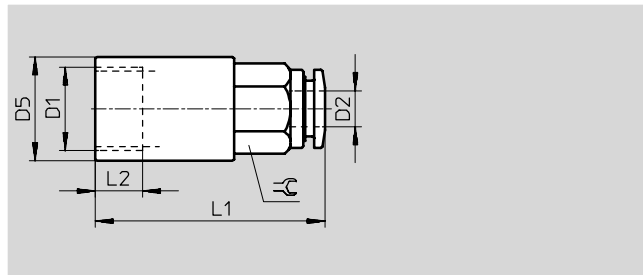


Dimensions and ordering data										
Connection	Nominal size	Tubing O.D.	D5	L1	L2	≅	Weight/piece	Part No.	Type	PU*
D1	[mm]	D2	∅				[g]			
Metric thread with sealing ring										
M5	2.6	4	8	20.5	4	2.5	6	533 924	QS-F-M5-4-I	10
	2.6	6	8	23.5	4	2.5	9	537 014	QS-F-M5-6-I	10
M7	2.6	4	11	22	5.5	2.5	6.4	533 925	QS-F-M7-4-I	10
	4.1	6	11	25.3	5.5	3.5	9.4	533 926	QS-F-M7-6-I	10
G thread										
G ¹ / ₈	2.6	4	13	19.5	5.5	2.5	8.6	533 927	QS-F-G ¹ / ₈ -4-I	10
	4.2	6	13	24.8	5.5	4	13.4	533 928	QS-F-G ¹ / ₈ -6-I	10
	5.2	8	13	26.5	5.5	5	13.1	533 929	QS-F-G ¹ / ₈ -8-I	10
G ³ / ₄	6.2	8	16	24	6.5	6	14.6	533 930	QS-F-G ³ / ₄ -8-I	10
	7.3	10	16	28.9	6.5	7	21	533 931	QS-F-G ³ / ₄ -10-I	10
G ³ / ₈	10.3	12	20	31.9	7.5	10	34.3	533 932	QS-F-G ³ / ₈ -12-I	10

* Packaging unit quantity

Push-in fitting QSF-F

Female thread
with external hex



Dimensions and ordering data										
Connection	Nominal size	Tubing O.D.	D5	L1	L2	≅	Weight/piece	Part No.	Type	PU*
D1	[mm]	D2	∅				[g]			
G thread										
G ¹ / ₈	3	4	12	26.5	6.8	9	12.3	533 854	QSF-F-G ¹ / ₈ -4	10
	3	6	12	28.3	6.8	11	12.2	533 856	QSF-F-G ¹ / ₈ -6	10
	5	8	12	28.5	6.8	13	13.9	533 858	QSF-F-G ¹ / ₈ -8	10
G ³ / ₄	5	4	17	29.5	9	9	24.9	533 855	QSF-F-G ³ / ₄ -4	10
	7	6	17	31.3	9	11	21.4	533 857	QSF-F-G ³ / ₄ -6	10
	7	8	17	32.5	9	13	23.2	533 859	QSF-F-G ³ / ₄ -8	10

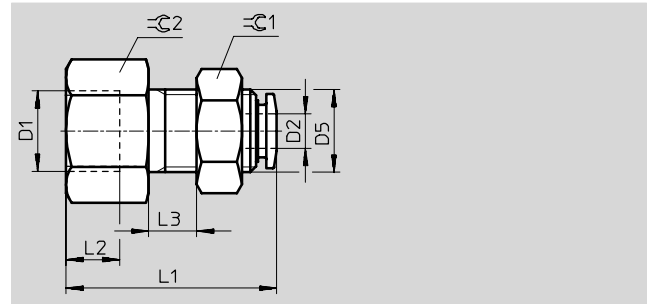
* Packaging unit quantity

Push-in fittings QS-F, Quick Star, metal

Technical data



Push-in bulkhead connector QSSF-F with female thread



Dimensions and ordering data												
Connection	Nominal size	Tubing O.D.	D5	L1	L2	L3 max.	≙C1	≙C2	Weight/ piece	Part No.	Type	PU*
D1	[mm]	D2	∅						[g]			
G thread												
G ¹ / ₈	3	4	M10x1	25.5	6.8	6.6	13	15	19.7	533 919	QSSF-F-G ¹ / ₈ -4	10
	5	6	M14x1	26.8	6.8	6.6	17	15	27.8	533 920	QSSF-F-G ¹ / ₈ -6	10
	7	8	M16x1	29	6.8	6.6	19	17	38.4	533 922	QSSF-F-G ¹ / ₈ -8	10
G ¹ / ₄	5	6	M14x1	31.3	9	6.6	17	17	38.3	533 921	QSSF-F-G ¹ / ₄ -6	10
	7	8	M16x1	33.5	9	6.6	19	17	39.6	533 923	QSSF-F-G ¹ / ₄ -8	10

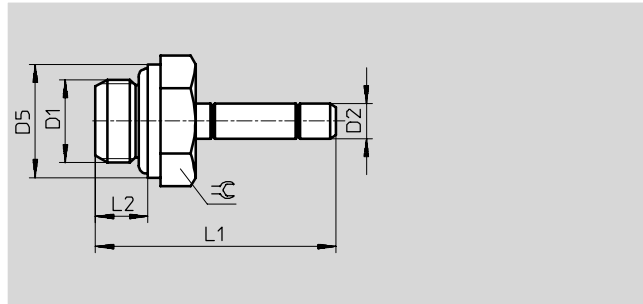
* Packaging unit quantity

Push-in fittings QS-F, Quick Star, metal

Technical data



Push-in fitting QS-F-...H
with push-in sleeve



Dimensions and ordering data										
Connection	Nominal size	Push-in sleeve \varnothing	D5	L1	L2	$\approx \varnothing$	Weight/ piece [g]	Part No.	Type	PU*
D1	[mm]	D2	\varnothing							
M thread										
M5	2	4	8	24.7	4	8	3.1	533 874	QS-F-M5-4H	10
	2.6	6	8	27.5	4	8	5.8	533 875	QS-F-M5-6H	10
M7	2	4	11	26.2	5.5	9	4.1	533 876	QS-F-M7-4H	10
	3.5	6	11	29	5.5	9	5.9	533 877	QS-F-M7-6H	10
G thread										
G $\frac{1}{8}$	2	4	13	27.7	5.5	9	8.3	533 878	QS-F-G $\frac{1}{8}$ -4H	10
	4	6	13	30.5	5.5	13	10.1	533 879	QS-F-G $\frac{1}{8}$ -6H	10
	6	8	13	32	5.5	13	10.3	533 880	QS-F-G $\frac{1}{8}$ -8H	10
G $\frac{1}{4}$	4	6	16	32	6.5	13	12.2	533 881	QS-F-G $\frac{1}{4}$ -6H	10
	6	8	16	33.5	6.5	13	13.4	533 882	QS-F-G $\frac{1}{4}$ -8H	10
	8	10	16	36.5	6.5	13	20.7	533 883	QS-F-G $\frac{1}{4}$ -10H	10
	8	12	16	37.5	6.5	13	20.7	533 884	QS-F-G $\frac{1}{4}$ -12H	10
G $\frac{3}{8}$	6	8	20	35.5	7.5	13	20.6	533 885	QS-F-G $\frac{3}{8}$ -8H	10
	8	10	20	39.5	7.5	13	23.5	533 886	QS-F-G $\frac{3}{8}$ -10H	10
	10	12	20	40.5	7.5	13	23.6	533 887	QS-F-G $\frac{3}{8}$ -12H	10
G $\frac{1}{2}$	8	10	24	41	9	16	30.9	533 888	QS-F-G $\frac{1}{2}$ -10H	10
	10	12	24	42	9	16	31.6	533 889	QS-F-G $\frac{1}{2}$ -12H	1

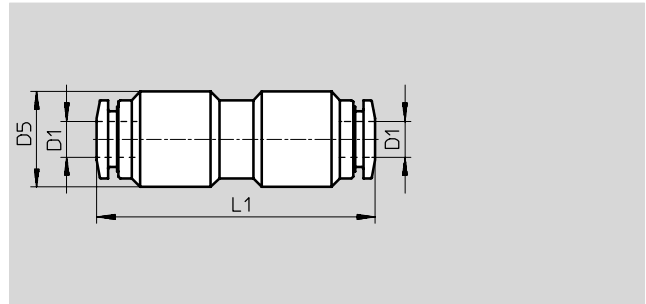
* Packaging unit quantity

Push-in fittings QS-F, Quick Star, metal

Technical data



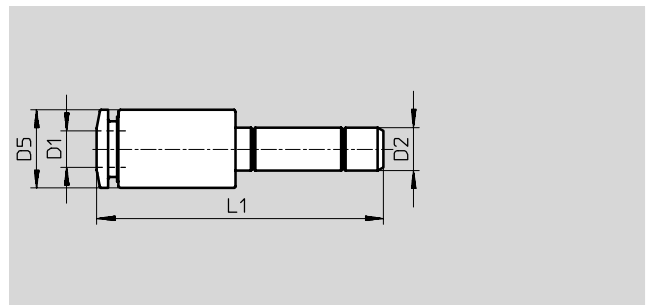
Push-in connector QS-F



Dimensions and ordering data							
Tubing O.D.	Nominal size	D5	L1	Weight/piece	Part No.	Type	PU*
D1	[mm]	∅		[g]			
4	3	11	32	14.3	533 939	QS-F-4	10
6	5	14	36.1	22.5	533 940	QS-F-6	10
8	7	16	38	29.4	533 941	QS-F-8	10
10	9	18	42.3	41.7	533 942	QS-F-10	10
12	11	22	45.8	67.9	533 943	QS-F-12	10

* Packaging unit quantity

Push-in connector QS-F-...H with push-in sleeve



Dimensions and ordering data								
Tubing O.D.	Nominal size	Push-in sleeve ∅	D5	L1	Weight/piece	Part No.	Type	PU*
D1	[mm]	D2	∅		[g]			
4	3	6	9	32.5	7.3	533 895	QS-F-6H-4	10
4	3	8	9	34	11.2	533 896	QS-F-8H-4	10
6	5	8	11	36.3	10.8	533 897	QS-F-8H-6	10
4	3	10	13	39	23.5	533 898	QS-F-10H-4	10
6	5	10	11	39.3	17.5	533 899	QS-F-10H-6	10
8	7	10	13	39	14.2	533 900	QS-F-10H-8	10
6	5	12	13	40.3	27.8	533 901	QS-F-12H-6	10
8	7	12	13	39.5	21.4	533 902	QS-F-12H-8	10
10	9	12	16	41.4	20.8	533 903	QS-F-12H-10	10

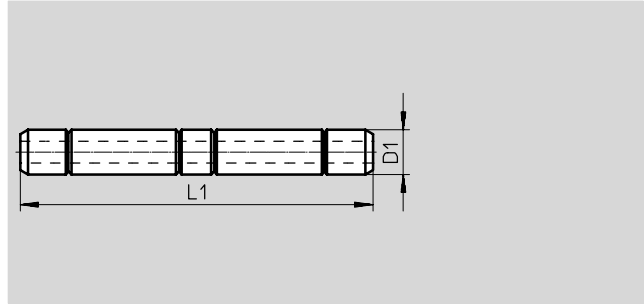
* Packaging unit quantity

Push-in fittings QS-F, Quick Star, metal

Technical data



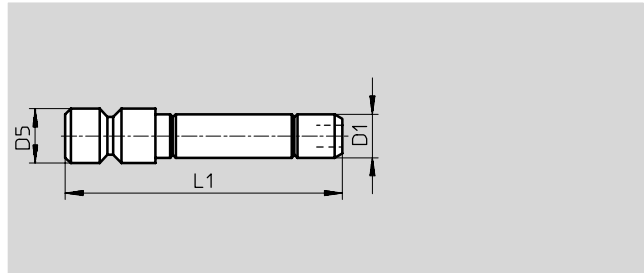
Push-in sleeve QSH-F



Dimensions and ordering data						
Push-in sleeve Ø	Nominal size	L1	Weight/piece	Part No.	Type	PU*
D1	[mm]		[g]			
4	2	33.4	2.8	533 890	QSH-F-4	10
6	4	39	4.8	533 891	QSH-F-6	10
8	6	42	8.6	533 892	QSH-F-8	10
10	8	48	10.9	533 893	QSH-F-10	10
12	10	50	14.1	533 894	QSH-F-12	10

* Packaging unit quantity

Blanking plug QSC-F...H



Dimensions and ordering data						
Push-in sleeve Ø	D5	L1	Weight/piece	Part No.	Type	PU*
D1	Ø		[g]			
4	5	26	3.1	533 904	QSC-F-4H	10
6	7	29	4.6	533 905	QSC-F-6H	10
8	9	31.5	7.6	533 906	QSC-F-8H	10
10	11	35	10.8	533 907	QSC-F-10H	10
12	13	37	14.7	533 908	QSC-F-12H	10

* Packaging unit quantity

Piping, tubing and fittings
Push-in fittings

5.4

Push-in fittings QS-F, Quick Star, metal



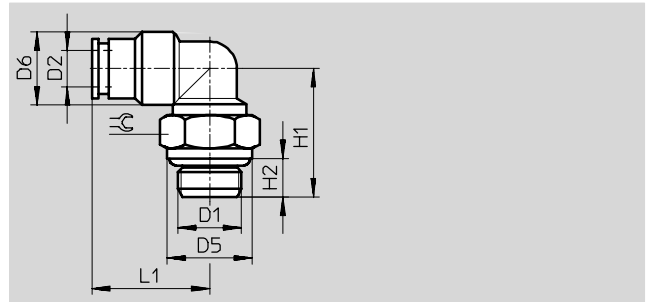
Technical data

Push-in L-fitting QSL-F

360° rotatable
Male thread
with external hex



M and G thread



Dimensions and ordering data												
Connection	Nominal size	Tubing O.D.	D5	D6	H1	H2	L1	⌀	Weight/ piece [g]	Part No.	Type	PU*
D1	[mm]	D2	∅	∅								
M thread with sealing ring												
M5	2.2	4	8	9	19.7	4	18.2	8	10.7	533 849	QSL-F-M5-4	10
	2.2	6	8	11	19.7	4	20.6	8	14.7	533 850	QSL-F-M5-6	10
M7	2.2	4	10.2	9	21.7	5.5	18.2	9	11.3	533 851	QSL-F-M7-4	10
	2.2	6	10.2	11	21.7	5.5	20.6	9	15.6	533 852	QSL-F-M7-6	10
G thread with sealing ring												
G ¹ / ₈	3	4	12.8	11	18.2	5.5	17.7	13	17.6	193 418	QSL-F-G ¹ / ₈ -4	10
	3.8	6	12.8	11	18.2	5.5	19.8	13	16	193 419	QSL-F-G ¹ / ₈ -6	10
	3.8	8	12.8	13	20.2	5.5	23	13	20	193 420	QSL-F-G ¹ / ₈ -8	10
G ³ / ₄	5	6	15.8	11	21	6.5	22.1	16	24.5	193 421	QSL-F-G ³ / ₄ -6	10
	6	8	15.8	13	21	6.5	23	16	24	193 422	QSL-F-G ³ / ₄ -8	10
	6	10	15.8	16	23	6.5	26.4	16	34.6	193 423	QSL-F-G ³ / ₄ -10	10
	6	12	15.8	19	23	6.5	28.9	16	49	533 853	QSL-F-G ³ / ₄ -12	10
G ³ / ₈	6.7	8	20	13	24	7.5	24.5	18	34.2	193 424	QSL-F-G ³ / ₈ -8	10
	8.8	10	20	16	24	7.5	26.4	18	36.6	193 425	QSL-F-G ³ / ₈ -10	10
	8.8	12	20	19	24	7.5	28.9	18	51.1	197 486	QSL-F-G ³ / ₈ -12	10
G ¹ / ₂	9	10	25	17	29	9	27.9	21	66	193 426	QSL-F-G ¹ / ₂ -10	1
	10	12	25	19	29	9	28.9	21	70	193 427	QSL-F-G ¹ / ₂ -12	1

* Packaging unit quantity

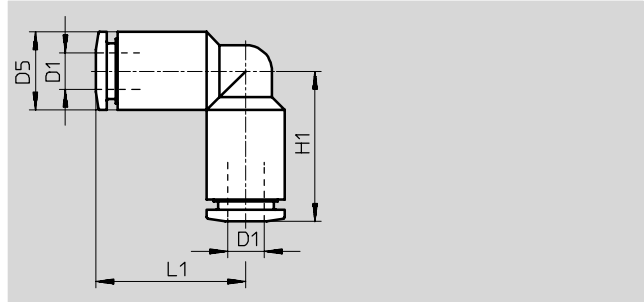
Core Range

Push-in fittings QS-F, Quick Star, metal

Technical data



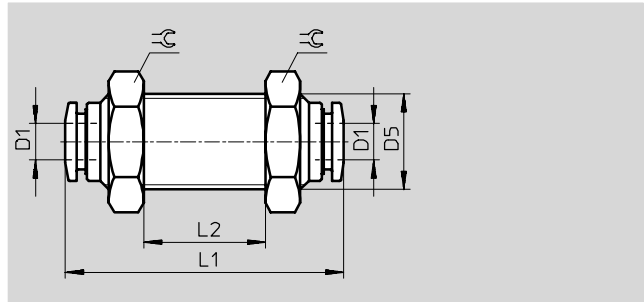
Push-in L-connector QSL-F



Dimensions and ordering data							
Tubing O.D. D1	Nominal size [mm]	D5 ∅	L1	Weight/piece [g]	Part No.	Type	PU*
4	3	9	17.3	9	533 860	QSL-F-4	10
6	5	11	20.6	15.1	533 861	QSL-F-6	10
8	7	13	23	19.1	533 862	QSL-F-8	10
10	9	16	26.4	29.6	533 863	QSL-F-10	10
12	10	19	28.9	50.7	533 864	QSL-F-12	10

* Packaging unit quantity

Push-in bulkhead connector QSS-F



Dimensions and ordering data									
Tubing O.D. D1	Nominal size [mm]	D5 ∅	L1	L2	≡C	Weight/piece [g]	Part No.	Type	PU*
4	3	M11x1	32	8	14	18.3	533 909	QSS-F-4	10
6	5	M14x1	36.1	8	17	29.9	533 910	QSS-F-6	10
8	7	M16x1	38	10	18	34.6	533 911	QSS-F-8	10
10	9	M18x1	42.3	12	21	50.5	533 912	QSS-F-10	10
12	10	M22x1	45.8	17	26	88.2	533 913	QSS-F-12	10

* Packaging unit quantity

Piping, tubing and fittings
Push-in fittings

5.4

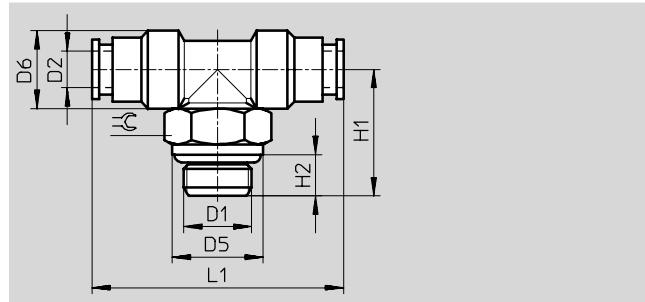
Push-in fittings QS-F, Quick Star, metal



Technical data

Push-in T-fitting QST-F

360° rotatable
Male thread
with external hex



Dimensions and ordering data												
Connection	Nominal size	Tubing O.D.	D5	D6	H1	H2	L1	⌀	Weight/ pieces	Part No.	Type	PU*
D1	[mm]	D2	∅	∅					[g]			
M thread												
M5	2.2	4	8	9	19.7	4	34.6	8	14.6	533 914	QST-F-M5-4	10
	2.2	6	8	11	19.7	4	41.2	8	20.9	533 915	QST-F-M5-6	10
M7	2.2	4	10.2	9	21.7	5.5	34.6	9	15.9	533 916	QST-F-M7-4	10
	2.2	6	10.2	11	21.7	5.5	41.2	9	22.2	533 917	QST-F-M7-6	10
G thread with sealing ring												
G ¹ / ₈	2.9	4	12.8	11	18.2	5.5	34.6	13	22	193 428	QST-F-G ¹ / ₈ -4	10
	3.8	6	12.8	11	18.2	5.5	39.6	13	22	193 429	QST-F-G ¹ / ₈ -6	10
	3.8	8	12.8	13	20.2	5.5	46	13	28	193 430	QST-F-G ¹ / ₈ -8	10
G ³ / ₄	4.9	6	15.8	11	21	6.5	44.2	16	32	193 431	QST-F-G ³ / ₄ -6	10
	6	8	15.8	13	21	6.5	46	16	33.6	193 432	QST-F-G ³ / ₄ -8	10
	6	10	15.8	16	23	6.5	52.8	16	47.5	193 433	QST-F-G ³ / ₄ -10	10
	6	12	15.8	19	23	6.5	57.8	16	64.2	533 918	QST-F-G ³ / ₄ -12	10
G ³ / ₈	6.8	8	20	13	24	7.5	49	18	44	193 434	QST-F-G ³ / ₈ -8	10
	8.8	10	20	16	24	7.5	52.8	18	51	193 435	QST-F-G ³ / ₈ -10	10
	8.8	12	20	19	24	7.5	57.8	18	68	197 485	QST-F-G ³ / ₈ -12	10
G ¹ / ₂	8.8	10	25	17	29	9	55.8	21	84	193 436	QST-F-G ¹ / ₂ -10	1
	9.8	12	25	19	29	9	57.8	21	90	193 437	QST-F-G ¹ / ₂ -12	1

* Packaging unit quantity

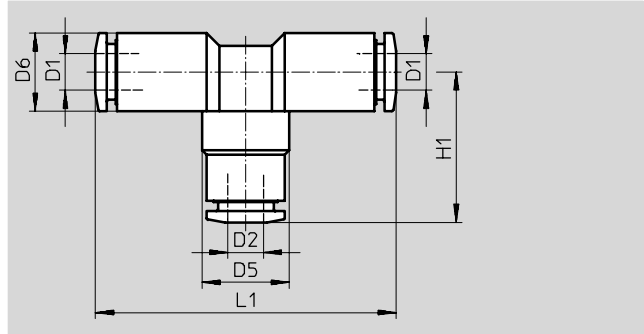
Core Range

Push-in fittings QS-F, Quick Star, metal

Technical data



Push-in T-connector QST-F



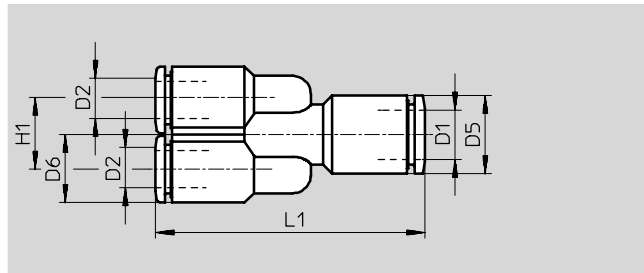
Dimensions and ordering data										
Tubing O.D.	Nominal size	Tubing O.D.	D5	D6	H1	L1	Weight/ pieces	Part No.	Type	PU*
D1	[mm]	D2	∅	∅			[g]			
4	3	4	9	9	17.3	34.6	13.1	533 865	QST-F-4	10
6	5	6	11	11	20.6	41.2	21.3	533 866	QST-F-6	10
8	7	8	13	13	23	46	26.9	533 867	QST-F-8	10
10	9	10	16	16	26.4	52.8	43.2	533 868	QST-F-10	10
12	10	12	19	19	28.9	57.8	66.1	533 869	QST-F-12	10
Reducing										
6	–	4	11	11	20.6	41.2	22.3	533 870	QST-F-6-4	10
8	–	6	11	13	23	46	26.5	533 871	QST-F-8-6	10
10	–	8	13	16	26.4	52.8	41	533 872	QST-F-10-8	10
12	–	10	16	19	28.9	57.8	64.3	533 873	QST-F-12-10	10

* Packaging unit quantity

Piping, tubing and fittings
Push-in fittings

5.4

Push-in Y-connector QSY-F



Dimensions and ordering data										
Tubing O.D.	Nominal size	Tubing O.D.	D5	D6	H1	L1	Weight/ pieces	Part No.	Type	PU*
D1	[mm]	D2	∅	∅			[g]			
6	5	6	11	11	11.5	43.1	26.2	533 933	QSY-F-6	10
8	7	8	13	13	13.5	46.5	27.6	533 935	QSY-F-8	10
10	9	10	16	16	16.5	49.3	58.8	533 937	QSY-F-10	10
Reducing										
6	–	4	11	9	9.5	38.8	17.8	533 934	QSY-F-6-4	10
8	–	6	13	11	11.5	44.8	28.1	533 936	QSY-F-8-6	10
10	–	8	16	13	13.5	46.5	39	533 938	QSY-F-10-8	10

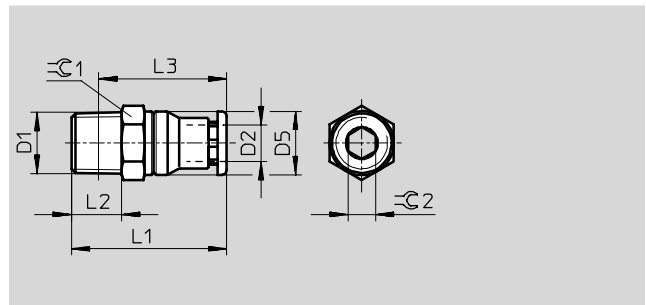
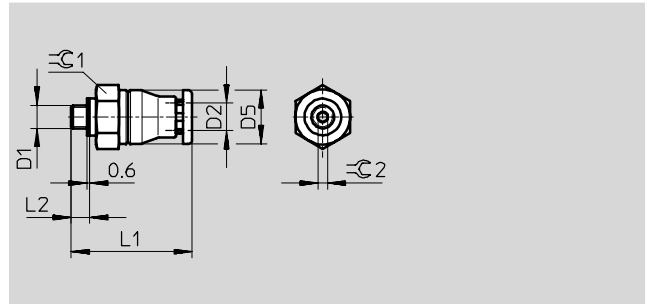
* Packaging unit quantity

Push-in fittings CRQS, Quick Star, stainless steel

Technical data

Push-in fitting CRQS

Male thread
with internal and external hex



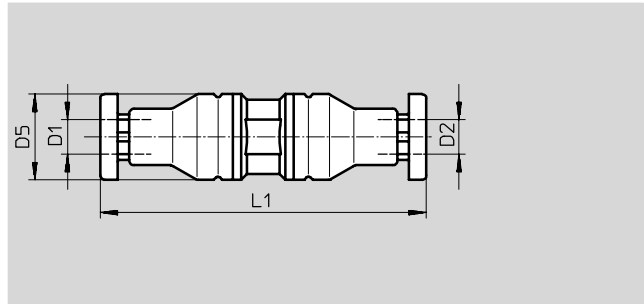
Dimensions and ordering data											
Connection	Nominal size	Tubing O.D.	D5 ∅	L1	L2	L3	⊘C1	⊘C2	Part No.	Type	PU*
D1	[mm]	D2									
Metric thread with sealing ring											
M5x0.8	2.4	4	9.8	24.7	4	-	10	2	162 860	CRQS-M5-4	1
	2.4	6	11.8	26.4	4	-	12	2	162 861	CRQS-M5-6	1
R thread											
R1/8	4.6	6	11.8	27.9	8	23.9	12	4	162 862	CRQS-1/8-6	1
	6	8	13.8	30.9	8	26.9	14	5	162 863	CRQS-1/8-8	1
R1/4	7	8	13.8	33.9	11	27.9	14	6	162 864	CRQS-1/4-8	1
	8.5	10	16.8	37.1	11	31.1	17	6	162 865	CRQS-1/4-10	1
R3/8	8.5	10	16.8	38.1	12	31.7	17	6	162 866	CRQS-3/8-10	1
	11	12	19.8	40.1	12	33.7	21	8	162 867	CRQS-3/8-12	1
R1/2	11	12	19.8	43.1	15	34.9	22	8	162 868	CRQS-1/2-12	1
	13	16	23.7	51.1	15	42.9	24	12	162 869	CRQS-1/2-16	1












* Packaging unit quantity

Push-in fittings CRQS, Quick Star, stainless steel

Technical data

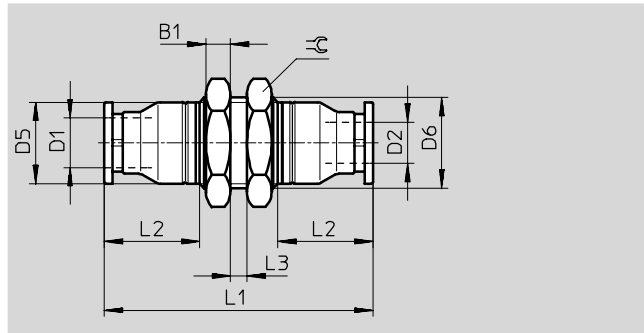
Push-in connector CRQS



Dimensions and ordering data									
Tubing O.D.	Nominal size	Tubing O.D.	D5	L1	Weight/pieces	Part No.	Type		PU*
D1	[mm]	D2	∅		[g]				
4	2.4	4	9.8	37.4	8.5	130 645	CRQS-4	 New	1
6	4.6	6	11.8	40.8	12	130 646	CRQS-6	 New	1
8	6	8	13.8	44.8	16	130 647	CRQS-8	 New	1
10	8	10	16.8	53.2	25	130 648	CRQS-10	 New	1
12	10	12	19.8	57.2	38	130 649	CRQS-12	 New	1
16	13	16	23.7	68.2	55.5	130 650	CRQS-16	 New	1
Reducing									
6	4.6	4	11.8	38.9	10.5	130 651	CRQS-6-4	 New	1
8	6	6	13.8	42.6	14.5	130 652	CRQS-8-6	 New	1
10	8	8	16.8	48.5	21.5	130 653	CRQS-10-8	 New	1
12	10	10	19.8	54.2	34	130 654	CRQS-12-10	 New	1
16	13	12	23.7	61.7	49.5	130 655	CRQS-16-12	 New	1

* Packaging unit quantity

Push-in bulkhead connector CRQSS



Dimensions and ordering data												
Tubing O.D.	Nominal size	Tubing O.D.	B1	D5	D6	L1	L2	L3	☉	Part No.	Type	PU*
D1	[mm]	D2		∅	∅							
Metric thread with sealing ring												
4	3	4	4	9.8	M12x1	45.4	16.2	4	14	164 210	CRQSS-4	1
6	4.6	6	4	11.8	M14x1	48.8	16.9	6	17	164 211	CRQSS-6	1
8	6	8	4	13.8	M16x1	52.8	18.9	6	19	164 213	CRQSS-8	1
10	8	10	5	16.8	M20x1	59.2	21.1	6	24	164 215	CRQSS-10	1
12	11	12	6	19.8	M22x1	65.2	23.1	6	27	164 217	CRQSS-12	1
16	13	16	6	23.7	M27x1.5	75.2	28.1	5.4	32	164 219	CRQSS-16	1

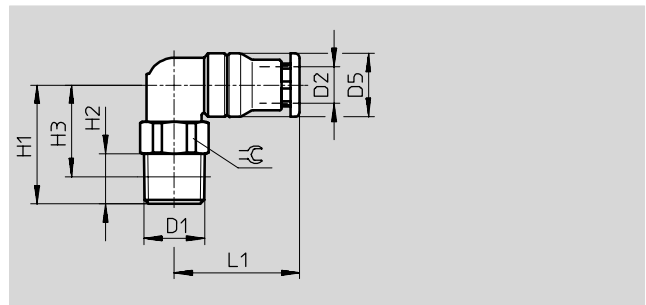
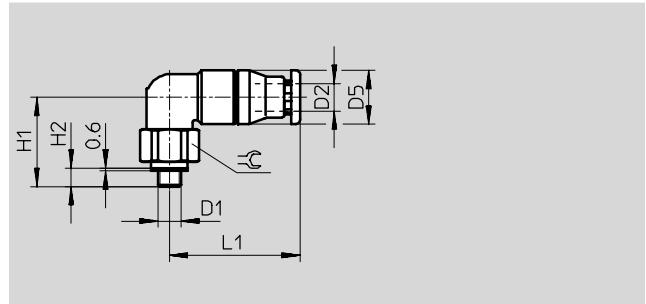
* Packaging unit quantity

Push-in fittings CRQS, Quick Star, stainless steel

Technical data

Push-in L-fitting CRQSL

360° rotatable
Male thread
with external hex



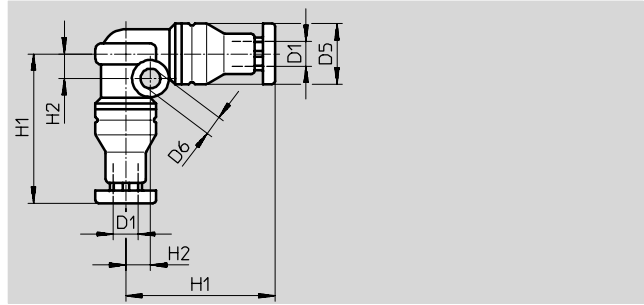
Dimensions and ordering data											
Connection	Nominal size	Tubing O.D.	D5 ∅	H1	H2	H3	L1	⊕	Part No.	Type	PU*
D1	[mm]	D2									
Metric thread with sealing ring											
M5x0.8	2.4	4	9.8	17.5	4	-	22.7	10	162 870	CRQSL-M5-4	1
	2.4	6	11.8	19.5	4	-	25.4	12	162 871	CRQSL-M5-6	1
R thread											
R1/8	4.6	6	11.8	21	8	17	25.4	12	162 872	CRQSL-1/8-6	1
	6	8	13.8	23	8	19	27.4	14	162 873	CRQSL-1/8-8	1
R1/4	6	8	13.8	26	11	20	27.4	14	162 874	CRQSL-1/4-8	1
	8	10	16.8	29	11	23	31.1	17	162 875	CRQSL-1/4-10	1
R3/8	8	10	16.8	30	12	23.5	31.1	17	162 876	CRQSL-3/8-10	1
	10	12	19.8	34	12	27.5	36.1	21	162 877	CRQSL-3/8-12	1
R1/2	10	12	19.8	37	15	29	36.1	22	162 878	CRQSL-1/2-12	1
	13	16	23.7	38	15	30	45.6	24	162 879	CRQSL-1/2-16	1







* Packaging unit quantity

Push-in fittings CRQS, Quick Star, stainless steel

Technical data

Push-in L-connector CRQSL



Dimensions and ordering data									
Tubing O.D. D1	Nominal size [mm]	D5 ∅	D6 ∅	H1	H2	Weight/ piece [g]	Part No.	Type	PU*
4	2.4	9.8	3.2	24.2	4	12.5	130 662	CRQSL-4	 New 1
6	4.6	11.8	3.2	27.4	5	19.5	130 663	CRQSL-6	 New 1
8	6	13.8	4.2	30.9	6	28.5	130 664	CRQSL-8	 New 1
10	8	16.8	4.2	35.1	7	40.5	130 665	CRQSL-10	 New 1
12	10	19.8	4.2	38.1	8	57.5	130 666	CRQSL-12	 New 1
16	13	23.7	4.2	45.6	9,5	91	130 667	CRQSL-16	 New 1

* Packaging unit quantity

Push-in fittings CRQS, Quick Star, stainless steel



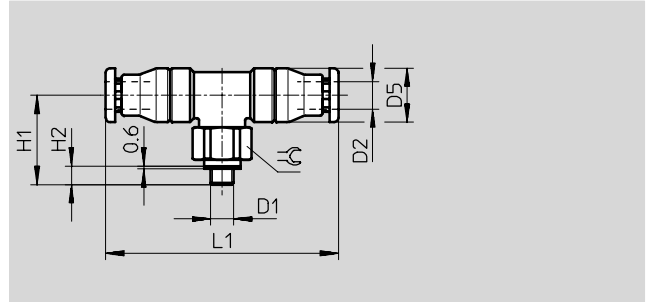
Technical data

Push-in T-fitting CRQST

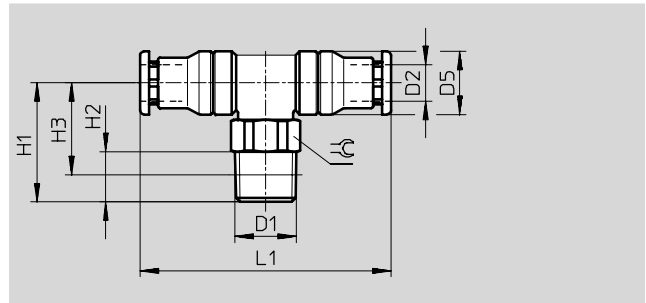
360° rotatable
Male thread
with external hex



M thread



R thread



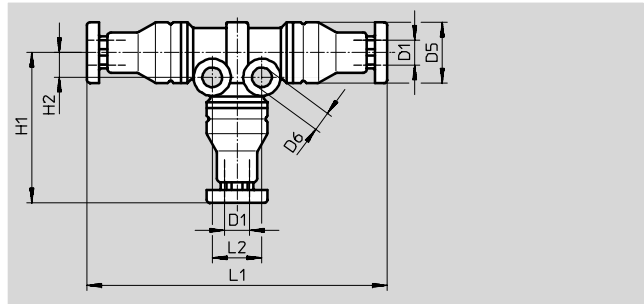
Dimensions and ordering data											
Connection	Nominal size	Tubing O.D.	D5 -∅	H1	H2	H3	L1	⌀	Part No.	Type	PU*
D1	[mm]	D2									
Metric thread with sealing ring											
M5x0.8	2.4	4	9.8	17.5	4	-	45.4	10	164 200	CRQST-M5-4	1
	2.4	6	11.8	19.5	4	-	50.8	12	164 201	CRQST-M5-6	1
R thread											
R1/8	4.6	6	11.8	21	8	17	50.8	12	164 202	CRQST-1/8-6	1
	6	8	13.8	23	8	19	54.8	14	164 203	CRQST-1/8-8	1
R1/4	6	8	13.8	26	11	20	54.8	14	164 204	CRQST-1/4-8	1
	8	10	16.8	29	11	23	62.2	17	164 205	CRQST-1/4-10	1
R3/8	8	10	16.8	30	12	23.5	62.2	17	164 206	CRQST-3/8-10	1
	10	12	19.8	34	12	27.5	72.2	21	164 207	CRQST-3/8-12	1
R1/2	10	12	19.8	37	15	29	72.2	22	164 208	CRQST-1/2-12	1
	13	16	23.7	38	15	30	91.2	24	164 209	CRQST-1/2-16	1







* Packaging unit quantity

Push-in fittings CRQS, Quick Star, stainless steel

Technical data

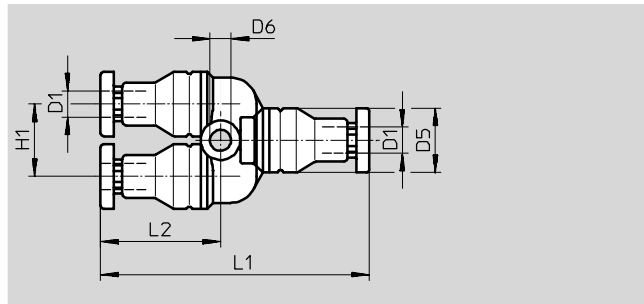
Push-in T-connector CRQST




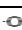




Dimensions and ordering data											
Tubing O.D.	Nominal size	D5	D6	H1	H2	L1	L2	Weight/ piece	Part No.	Type	PU*
D1	[mm]	∅	∅					[g]			
4	2.4	9.8	3.2	24.2	4	48.4	8	18	130 668	CRQST-4	 New 1
6	4.6	11.8	3.2	27.4	5	54.8	10	27.5	130 669	CRQST-6	 New 1
8	6	13.8	4.2	30.9	6	61.8	12	39	130 670	CRQST-8	 New 1
10	8	16.8	4.2	35.1	7	70.2	14	57	130 671	CRQST-10	 New 1
12	10	19.8	4.2	38.1	8	76.2	16	79	130 672	CRQST-12	 New 1
16	13	23.7	4.2	45.6	9.5	91.2	19	124	130 673	CRQST-16	 New 1

* Packaging unit quantity

Push-in Y-connector CRQSY



Dimensions and ordering data											
Tubing O.D.	Nominal size	D5	D6	H1	L1	Weight/ piece	Part No.	Type	PU*		
D1	[mm]	∅	∅			[g]					
4	2.4	9.8	3.2	11	40.8	15	130 656	CRQSY-4	 New 1		
6	4.6	11.8	3.2	13	44.8	23.5	130 657	CRQSY-6	 New 1		
8	6	13.8	3.2	15	51.3	34	130 658	CRQSY-8	 New 1		
10	8	16.8	4.3	18	58.7	51.5	130 659	CRQSY-10	 New 1		
12	10	19.8	4.3	21	65.2	79	130 660	CRQSY-12	 New 1		
16	13	23.7	4.3	25	79.2	121	130 661	CRQSY-16	 New 1		

* Packaging unit quantity

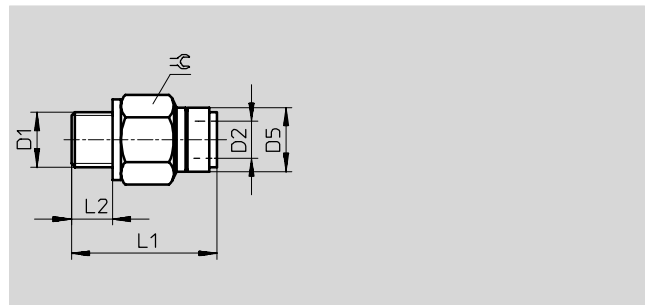
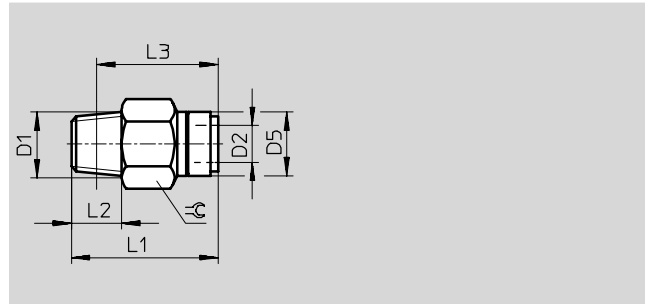
Push-in fittings QS-V0, Quick Star, flame-retardant



Technical data

Push-in fitting QS-V0

Male thread
with external hex



Dimensions and ordering data											
Connection	Nominal size	Tubing O.D.	D5	L1	L2	L3	⌀	Weight/ piece	Part No.	Type	PU*
D1	[mm]	D2	∅					[g]			
R thread											
R ¹ / ₈	4.6	6	14	28	8	24	12	10	160 500	QS-V0-1/8-6	10
	6	8	16	33.5	8	29.5	14	16.5	160 501	QS-V0-1/8-8	10
R ¹ / ₄	4.6	6	14	30	11	24	14	18	160 502	QS-V0-1/4-6	10
	7	8	16	32	11	26	14	16.5	160 503	QS-V0-1/4-8	10
	8.5	10	19	35.5	11	29.5	17	21.5	160 504	QS-V0-1/4-10	10
	11	12	22	41.5	11	35.5	21	44	160 505	QS-V0-1/4-12	10
R ³ / ₈	7	8	16	29.5	12	23	17	25	160 506	QS-V0-3/8-8	10
	8.5	10	19	35	12	28.5	17	27.5	160 507	QS-V0-3/8-10	1
	11	12	22	37.5	12	31	21	45	160 508	QS-V0-3/8-12	1
R ¹ / ₂	8.5	10	19	36	15	28	21	50.5	160 509	QS-V0-1/2-10	1
	11	12	22	39.5	15	31.5	21	68	160 510	QS-V0-1/2-12	1
G thread with sealing ring											
G ¹ / ₈	4.6	6	14	26.1	4.6	-	13	-	186 314	QS-V0-G1/8-6	10
	6	8	16	31.4	4.6	-	14	-	186 315	QS-V0-G1/8-8	10
G ¹ / ₄	4.6	6	14	28.1	6.6	-	17	-	186 316	QS-V0-G1/4-6	10
	7	8	16	28.9	6.6	-	17	-	186 317	QS-V0-G1/4-8	10
	8.5	10	19	35.9	6.6	-	17	-	186 318	QS-V0-G1/4-10	10
	11	12	22	41.2	6.6	-	21	-	186 319	QS-V0-G1/4-12	10
G ³ / ₈	7	8	16	29.1	8.1	-	19	-	186 320	QS-V0-G3/8-8	10
	8.5	10	19	32.9	8.1	-	19	-	186 321	QS-V0-G3/8-10	10
	11	12	22	39.1	8.1	-	21	-	186 322	QS-V0-G3/8-12	10
G ¹ / ₂	8.5	10	19	35.5	11.1	-	24	-	186 323	QS-V0-G1/2-10	1
	11	12	22	37.6	11.1	-	24	-	186 324	QS-V0-G1/2-12	1

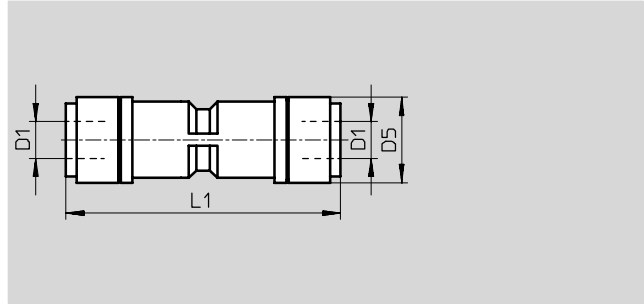
* Packaging unit quantity

Push-in fittings QS-V0, Quick Star, flame-retardant



Technical data

Push-in connector QS-V0



Dimensions and ordering data							
Tubing O.D. D1	Nominal size [mm]	D5	L1	Weight/piece [g]	Part No.	Type	PU*
6	5.5	14	45	14	160 546	QS-V0-6	10
8	7	16	48	20	160 547	QS-V0-8	10
10	9	19	54	31	160 548	QS-V0-10	10
12	11	22	58.5	46	160 549	QS-V0-12	10

* Packaging unit quantity

Push-in fittings QS-V0, Quick Star, flame-retardant



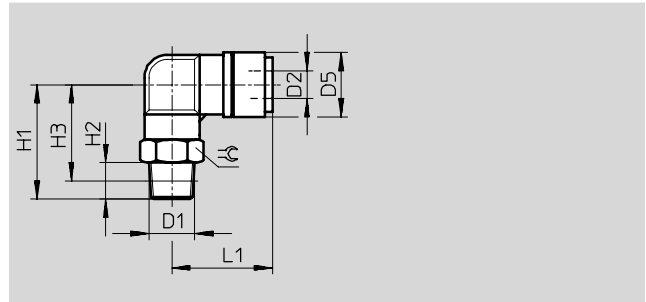
Technical data

Push-in L-fitting QSL-V0

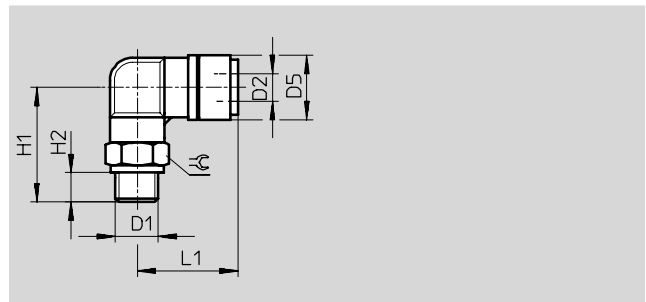
Male thread
with external hex



R thread



G thread



Dimensions and ordering data												
Connection	Nominal size	Tubing O.D.	D5	H1	H2	H3	L1	⌀	Weight/ piece	Part No.	Type	PU*
D1	[mm]	D2	∅						[g]			
R thread												
R $\frac{1}{8}$	4.6	6	14	25	8	20	25	12	15	160 511	QSL-V0- $\frac{1}{8}$ -6	10
	6	8	16	28	8	24	28	14	19.5	160 512	QSL-V0- $\frac{1}{8}$ -8	10
R $\frac{1}{4}$	4.6	6	14	28	11	22	25	14	24	160 513	QSL-V0- $\frac{1}{4}$ -6	10
	6	8	16	31	11	25	28	14	25	160 514	QSL-V0- $\frac{1}{4}$ -8	10
	8	10	19	36	11	30	31.5	17	35	160 515	QSL-V0- $\frac{1}{4}$ -10	10
	10	12	22	38	11	32	34.5	21	52	160 516	QSL-V0- $\frac{1}{4}$ -12	1
R $\frac{3}{8}$	6	8	16	33	12	26.5	28	17	37.5	160 517	QSL-V0- $\frac{3}{8}$ -8	10
	8	10	19	37	12	30.5	31.5	17	44	160 518	QSL-V0- $\frac{3}{8}$ -10	10
	10	12	22	39	12	32.5	34.5	21	53.5	160 519	QSL-V0- $\frac{3}{8}$ -12	1
R $\frac{1}{2}$	8	10	19	40	15	32	31.5	21	65	160 520	QSL-V0- $\frac{1}{2}$ -10	1
	10	12	22	42	15	34	34.5	21	76.5	160 521	QSL-V0- $\frac{1}{2}$ -12	1
G thread with sealing ring												
G $\frac{1}{8}$	4.6	6	14	23.5	4.6	-	24.9	13	-	186 325	QSL-V0-G $\frac{1}{8}$ -6	10
	6	8	16	26.5	4.6	-	27.9	14	-	186 326	QSL-V0-G $\frac{1}{8}$ -8	10
G $\frac{1}{4}$	4.6	6	14	26.5	6.6	-	24.9	17	-	186 327	QSL-V0-G $\frac{1}{4}$ -6	10
	6	8	16	29.5	6.6	-	27.9	17	-	186 328	QSL-V0-G $\frac{1}{4}$ -8	10
	8	10	19	33.5	6.6	-	31.4	17	-	186 329	QSL-V0-G $\frac{1}{4}$ -10	10
	10	12	22.2	35.5	6.6	-	34.7	21	-	186 330	QSL-V0-G $\frac{1}{4}$ -12	1
G $\frac{3}{8}$	6	8	16	31.5	8.1	-	27.9	19	-	186 331	QSL-V0-G $\frac{3}{8}$ -8	10
	8	10	19	35.5	8.1	-	31.4	19	-	186 332	QSL-V0-G $\frac{3}{8}$ -10	10
	10	12	22.2	37.5	8.1	-	34.7	21	-	186 333	QSL-V0-G $\frac{3}{8}$ -12	1
G $\frac{1}{2}$	8	10	19	40.5	11.1	-	31.4	24	-	186 334	QSL-V0-G $\frac{1}{2}$ -10	1
	10	12	22.2	42.5	11.1	-	34.7	24	-	186 335	QSL-V0-G $\frac{1}{2}$ -12	1

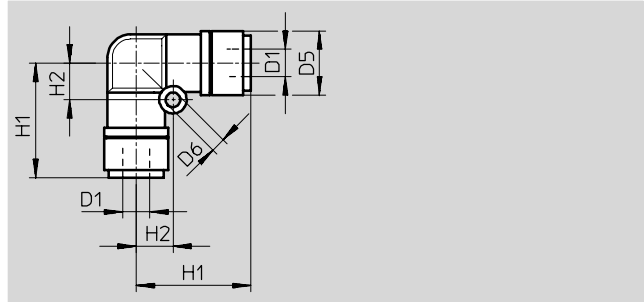
* Packaging unit quantity

Push-in fittings QS-V0, Quick Star, flame-retardant

Technical data



Push-in L-connector QSL-V0



Dimensions and ordering data									
Tubing O.D.	Nominal size	D5	D6	H1	H2	Weight/piece	Part No.	Type	PU*
D1	[mm]	∅	∅			[g]			
6	5	14	3.2	25	8	15	160 540	QSL-V0-6	10
8	7	16	4.2	27.5	10	21.5	160 541	QSL-V0-8	10
10	9	19	4.2	31.5	12	32.5	160 542	QSL-V0-10	10
12	11	22	4.2	34.5	14	48	160 543	QSL-V0-12	10

* Packaging unit quantity

Push-in fittings QS-V0, Quick Star, flame-retardant



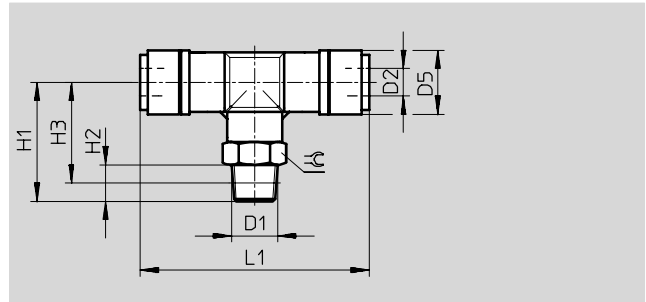
Technical data

Push-in T-fitting QST-V0

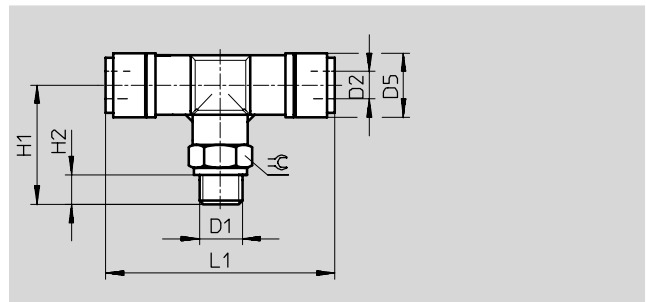
Male thread
with external hex



R thread



G thread



Dimensions and ordering data												
Connection	Nominal size	Tubing O.D.	D5	H1	H2	H3	L1	⌀	Weight/ piece	Part No.	Type	PU*
D1	[mm]	D2	∅						[g]			
R thread												
R $\frac{1}{8}$	4.6	6	14	25	8	20	50	12	19	160 522	QST-V0- $\frac{1}{8}$ -6	10
	6	8	16	28	8	24	55	14	24.5	160 523	QST-V0- $\frac{1}{8}$ -8	10
R $\frac{1}{4}$	4.6	6	14	28	11	22	50	14	28	160 524	QST-V0- $\frac{1}{4}$ -6	10
	6	8	16	31	11	25	55	14	30	160 525	QST-V0- $\frac{1}{4}$ -8	10
	8	10	19	36	11	30	61	17	43	160 526	QST-V0- $\frac{1}{4}$ -10	10
	10	12	22	38	11	32	67	21	64	160 527	QST-V0- $\frac{1}{4}$ -12	10
R $\frac{3}{8}$	6	8	16	33	12	26.5	55	17	42.5	160 528	QST-V0- $\frac{3}{8}$ -8	10
	8	10	19	37	12	30.5	61	17	52	160 529	QST-V0- $\frac{3}{8}$ -10	10
	10	12	22	39	12	32.5	67	21	65.5	160 530	QST-V0- $\frac{3}{8}$ -12	1
R $\frac{1}{2}$	8	10	19	40	15	32	61	21	73	160 531	QST-V0- $\frac{1}{2}$ -10	1
	10	12	22	42	15	34	67	21	88.5	160 532	QST-V0- $\frac{1}{2}$ -12	1
G thread with sealing ring												
G $\frac{1}{8}$	4.6	6	14	24.5	4.6	-	50.6	13	-	186 336	QST-V0-G $\frac{1}{8}$ -6	10
	6	8	16	26.5	4.6	-	55.2	14	-	186 337	QST-V0-G $\frac{1}{8}$ -8	10
G $\frac{1}{4}$	4.6	6	14	27.5	6.6	-	50.6	17	-	186 338	QST-V0-G $\frac{1}{4}$ -6	10
	6	8	16	29.5	6.6	-	55.2	17	-	186 339	QST-V0-G $\frac{1}{4}$ -8	10
	8	10	19	33.5	6.6	-	60.8	17	-	186 340	QST-V0-G $\frac{1}{4}$ -10	10
	10	12	22.2	35.5	6.6	-	67.4	21	-	186 341	QST-V0-G $\frac{1}{4}$ -12	10
G $\frac{3}{8}$	6	8	16	31.5	8.1	-	55.2	19	-	186 342	QST-V0-G $\frac{3}{8}$ -8	10
	8	10	19	35.5	8.1	-	60.8	19	-	186 343	QST-V0-G $\frac{3}{8}$ -10	10
	10	12	22.2	37.5	8.1	-	67.4	21	-	186 344	QST-V0-G $\frac{3}{8}$ -12	1
G $\frac{1}{2}$	8	10	19	40.5	11.1	-	60.8	24	-	186 345	QST-V0-G $\frac{1}{2}$ -10	1
	10	12	22.2	42.5	11.1	-	67.4	24	-	186 346	QST-V0-G $\frac{1}{2}$ -12	1

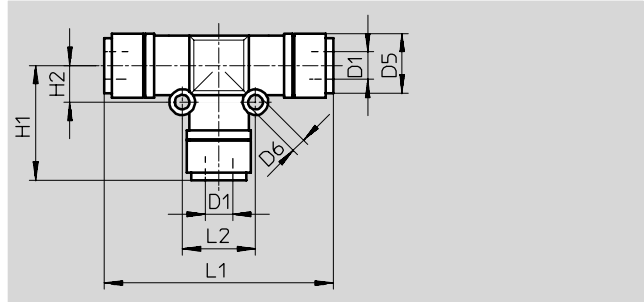
* Packaging unit quantity

Push-in fittings QS-V0, Quick Star, flame-retardant



Technical data

Push-in T-connector QST-V0



Dimensions and ordering data

Tube O.D.	Nominal size	D5	D6	H1	H2	L1	L2	Weight/ piece	Part No.	Type	PU*
D1	[mm]	∅	∅					[g]			
6	4.6	14	3.2	25	8	50	16	21.5	160 533	QST-V0-6	10
8	6	16	3.2	27.5	9	55	18	31.5	160 534	QST-V0-8	10
10	8	19	4.2	30.5	12	61	24	48	160 535	QST-V0-10	10
12	10	22	4.2	33.5	14	67	28	70.5	160 536	QST-V0-12	1

* Packaging unit quantity

Push-in fittings QS, Quick Star

Accessories

FESTO

Release tool QS0

Release aid for

QS push-in fittings



Dimensions and ordering data				
Tubing O.D.	Weight/piece [g]	Part No.	Type	PU*
3 ... 10	13	158 419	QS0	1

* Packaging unit quantity