



- Electrically or pneumatically actuated valves
- Valves with internal or external pilot air
- Manifold mounting for 2 ... 10 valves or individual mounting

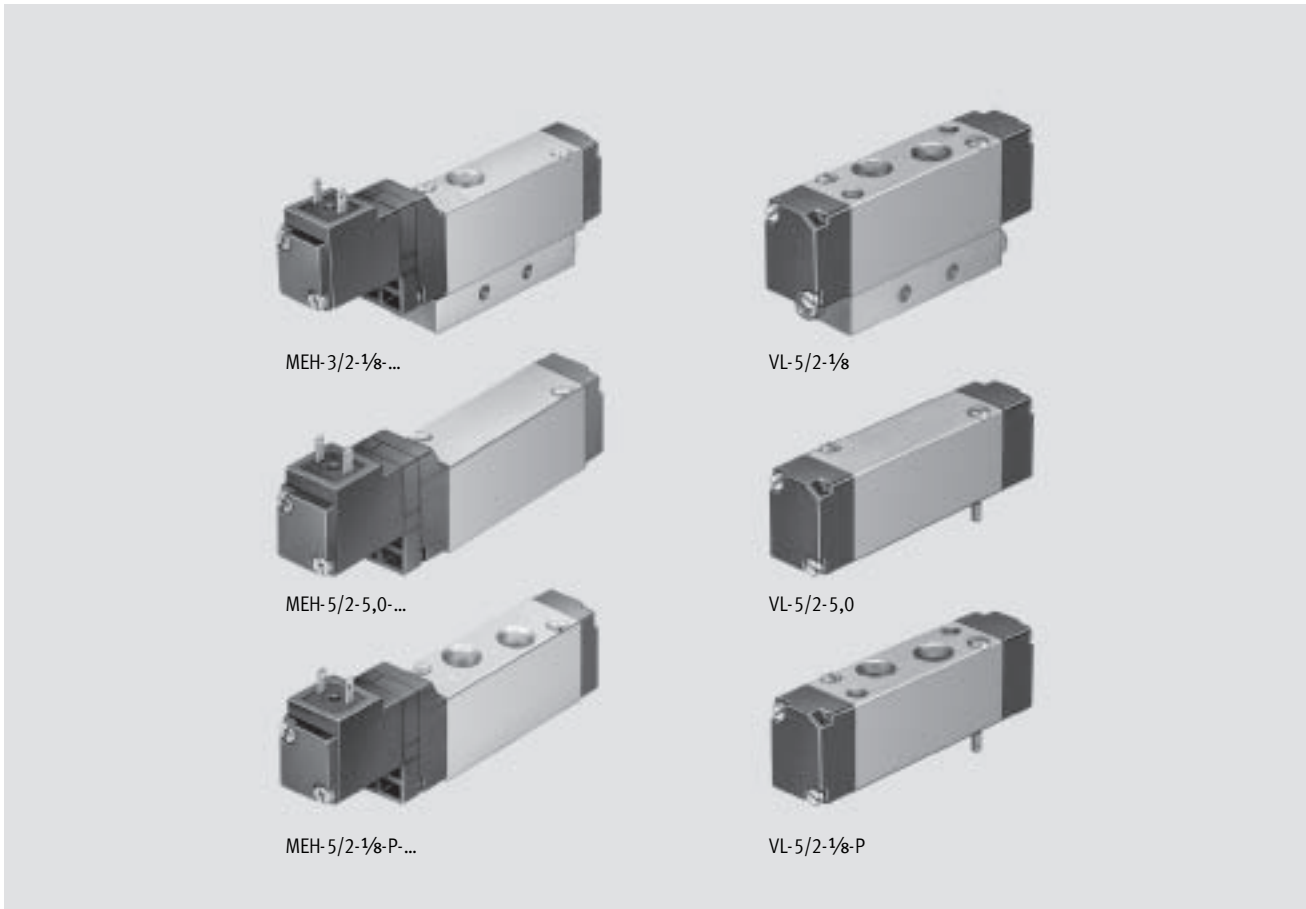
Solenoid/pneumatic valves, midi pneumatics



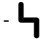
Features

FESTO

Directional control valves for standard applications
Midi Pneumatic

2.4



| Parameter | Variants | Possible combinations | Mounting |
|---|---|---|---|
| <ul style="list-style-type: none"> -  - Flow rate 200 ... 700 l/min -  - Width 18 mm -  - Voltage 24 V DC 110 or 230 V AC | <ul style="list-style-type: none"> ■ Electrically and pneumatically actuated valves ■ 3/2, 5/2 and 5/3-way valves ■ Sub-base valves ■ Semi in-line valves | <ul style="list-style-type: none"> ■ Any number of valves can be added with series sub-bases ■ 2 ... 10 manifold mounted valves with blanking plates for spare positions ■ Prefabricated plug socket with cable, LED and protective circuit ■ Cable and solenoid coil for assembly by user ■ Manual override | <ul style="list-style-type: none"> Semi in-line valves, threaded ■ Individual mounting Sub-base valves ■ Sub-base ■ Series sub-base Valves with in-line connection at top ■ PRS manifold |

Solenoid/pneumatic valves, midi pneumatics

Features

Mounting options

Individual sub-base

Connection at side

AS-ME-1/8

AS-VL-1/8



Connection underneath

AU-ME-1/8



Manifold mounting

Series sub-base

AW-ME-1/8



AW-VL-1/8



Intermediate plate

ZP-ME-1/8



End plate kit

EP-ME-1/8



Blanking plate for spare positions

PRMEB-5



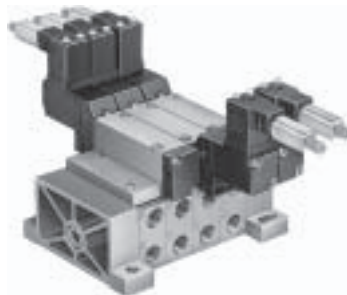
In-line manifold

PRS-ME-1/8



Blanking plate for spare positions

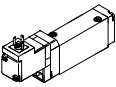
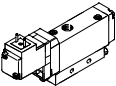
PRSB-ME-1/8

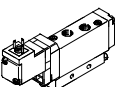
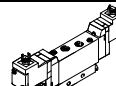


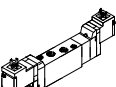
Solenoid valves MEH/MEBH, midi pneumatics

Overview – Solenoid valves



| Function | Design | Type | Nominal flow rate [l/min] | Pneumatic connection | Operating voltage | | Semi in-line valve | Sub-base valve | |
|----------------|---|---|---------------------------|----------------------|-------------------|----------|--------------------|----------------|---|
| | | | | | [V DC] | [V AC] | | | |
| 3/2-way valves |  | MEBH-3/2-... | 700 | 5.0 mm | 24 | 110, 230 | - | ■ | |
| | | | 600 | G1/8 | | | ■ | - | |
| | | MOEBH-3/2-... | 700 | 5.0 mm | 24 | 110, 230 | - | ■ | |
| | | | 600 | G1/8 | | | ■ | - | |
| | |  | MEH-3/2-... | 700 | 5.0 mm | 24 | - | - | ■ |
| | | | | 600 | G1/8 | | | ■ | - |
| | MOEH-3/2-... | | 700 | 5.0 mm | 24 | - | - | ■ | |
| | | | 600 | G1/8 | | | ■ | - | |

| Function | Design | Type | Nominal flow rate [l/min] | Pneumatic connection | Operating voltage | | Semi in-line valve | Sub-base valve | |
|----------------|--|---|---------------------------|----------------------|-------------------|----------|--------------------|----------------|---|
| | | | | | [V DC] | [V AC] | | | |
| 5/2-way valves |  | MEBH-5/2-... | 700 | 5.0 mm | 24 | 110, 230 | - | ■ | |
| | | | 600 | G1/8 | | | ■ | - | |
| | | MEH-5/2-... | 700 | 5.0 mm | 24 | - | - | ■ | |
| | | | 600 | G1/8 | | | ■ | - | |
| | |  | JMEBH-5/2-... | 700 | 5.0 mm | 24 | 110, 230 | - | ■ |
| | | | | 650 | G1/8 | | | ■ | - |
| | JMEH-5/2-... | | 700 | 5.0 mm | 24 | - | - | ■ | |
| | | | 650 | G1/8 | | | ■ | - | |

| Function | Design | Type | Nominal flow rate [l/min] | Pneumatic connection | Operating voltage | | Semi in-line valve | Sub-base valve |
|----------------|---|-------------|---------------------------|----------------------|-------------------|----------|--------------------|----------------|
| | | | | | [V DC] | [V AC] | | |
| 5/3-way valves |  | MEBH-5/3... | 500 | 5.0 mm | 24 | 110, 230 | - | ■ |
| | | | 600 | G1/8 | | | ■ | - |
| | | | 400 | 5.0 mm | | | - | ■ |
| | | | 300 | G1/8 | | | ■ | - |
| | | | 400 | 5.0 mm | | | - | ■ |
| | | | 200 | G1/8 | | | ■ | - |
| | | MEH-5/3... | 500 | 5.0 mm | 24 | - | - | ■ |
| | | | 600 | G1/8 | | | ■ | - |
| | | | 400 | 5.0 mm | | | - | ■ |
| | | | 300 | G1/8 | | | ■ | - |
| | | | 400 | 5.0 mm | | | - | ■ |
| | | | 200 | G1/8 | | | ■ | - |

Directional control valves for standard applications
Midi Pneumatic

2.4

Solenoid valves MEH/MEBH, midi pneumatics

Overview – Solenoid valves

| Type | Pilot air supply | | Type of reset | | Normal position | | → Page |
|-----------------------|------------------|----------|------------------|-------------------|-----------------|------|------------|
| | internal | external | pneumatic spring | mechanical spring | closed | open | |
| Solenoid valve | | | | | | | |
| MEBH-3/2-... | ■ | - | - | ■ | ■ | - | 2 / 2.4-9 |
| MOEBH-3/2-... | ■ | - | - | ■ | - | ■ | |
| MEH-3/2-... | ■ | - | - | ■ | ■ | - | 2 / 2.4-21 |
| MOEH-3/2-... | ■ | - | - | ■ | - | ■ | |

| Type | Pilot air supply | | Type of reset | | Normal position | | → Page |
|------------------------------|------------------|----------|------------------|-------------------|-----------------|------|------------|
| | internal | external | pneumatic spring | mechanical spring | closed | open | |
| Solenoid valve | | | | | | | |
| MEBH-5/2-... | ■ | ■ | ■ | ■ | - | - | 2 / 2.4-9 |
| MEH-5/2-... | ■ | ■ | ■ | ■ | - | - | 2 / 2.4-21 |
| Double solenoid valve | | | | | | | |
| JMEBH-5/2-... | ■ | ■ | - | - | - | - | 2 / 2.4-9 |
| JMEH-5/2-... | ■ | ■ | - | - | - | - | 2 / 2.4-21 |

| Type | Pilot air supply | | Type of reset | | Normal position | | | → Page |
|-----------------------|------------------|----------|------------------|-------------------|-----------------|-----------|-------------|------------|
| | internal | external | pneumatic spring | mechanical spring | closed | exhausted | pressurised | |
| Solenoid valve | | | | | | | | |
| MEBH-5/3... | ■ | ■ | - | ■ | ■ | - | - | 2 / 2.4-9 |
| | ■ | ■ | - | ■ | - | ■ | - | |
| | ■ | ■ | - | ■ | - | - | ■ | |
| MEH-5/3... | ■ | ■ | - | ■ | ■ | - | - | 2 / 2.4-21 |
| | ■ | ■ | - | ■ | - | ■ | - | |
| | ■ | ■ | - | ■ | - | - | ■ | |

Directional control valves for standard applications
Midi Pneumatic

Pneumatic valves VL/J, midi pneumatics

Overview – Pneumatic valves



| Function | Design | Type | Nominal flow rate [l/min] | Pneumatic connection | Semi in-line valve | Sub-base valve |
|----------------|--------------------|------------|---------------------------|----------------------|--------------------|----------------|
| 5/2-way valves | Pneumatic valve | | | | | |
| | | VL-5/2-... | 700 | 5.0 mm | - | ■ |
| | | | 600 | G $\frac{1}{8}$ | ■ | - |
| | Double pilot valve | | | | | |
| | | J-5/2-... | 700 | 5.0 mm | - | ■ |
| | | | 650 | G $\frac{1}{8}$ | ■ | - |

| Function | Design | Type | Nominal flow rate [l/min] | Pneumatic connection | Semi in-line valve | Sub-base valve |
|----------------|-----------------|-----------|---------------------------|----------------------|--------------------|----------------|
| 5/3-way valves | Pneumatic valve | | | | | |
| | | VL-5/3... | 600 | 5.0 mm | - | ■ |
| | | | 500 | G $\frac{1}{8}$ | ■ | - |
| | | | 350 | 5.0 mm | - | ■ |
| | | | 350 | G $\frac{1}{8}$ | ■ | - |
| | | | 300 | 5.0 mm | - | ■ |
| 300 | | | G $\frac{1}{8}$ | ■ | - | |

Directional control valves for standard applications
Midi Pneumatic

2.4

Pneumatic valves VL/J, midi pneumatics

Overview – Pneumatic valves

| Type | Pilot air supply | | Type of reset | | → Page |
|---------------------------|------------------|----------|------------------|-------------------|------------|
| | internal | external | pneumatic spring | mechanical spring | |
| Pneumatic valve | | | | | |
| VL-5/2-... | ■ | - | - | ■ | 2 / 2.4-34 |
| Double pilot valve | | | | | |
| J-5/2-... | ■ | - | - | - | 2 / 2.4-34 |

| Type | Pilot air supply | | Normal position | | | → Page |
|------------------------|------------------|----------|-----------------|-----------|-------------|------------|
| | internal | external | closed | exhausted | pressurised | |
| Pneumatic valve | | | | | | |
| VL-5/3... | ■ | - | ■ | - | - | 2 / 2.4-34 |
| | ■ | - | - | ■ | - | |
| | ■ | - | - | - | ■ | |

Solenoid valves MEH/MEBH, midi pneumatics

Type codes



Directional control valves for standard applications
Midi Pneumatic


2.4


| | | | | | | | |
|--|---|-----|-----|---|---|---|-------|
| MEBH | | 5/2 | 1/8 | P | L | B | 110AC |
| Type | | | | | | | |
| MEBH | Single solenoid, with EB solenoid coil | | | | | | |
| MOEBH | Single solenoid, with EB solenoid coil, normally open | | | | | | |
| MEH | Single solenoid, with E solenoid coil | | | | | | |
| MOEH | Single solenoid, with E solenoid coil, normally open | | | | | | |
| JMEBH | Double solenoid, with EB solenoid coil | | | | | | |
| JMEH | Double solenoid, with E solenoid coil | | | | | | |
| Valve function | | | | | | | |
| 3/2 | 3/2-way valve | | | | | | |
| 5/2 | 5/2-way valve | | | | | | |
| 5/3 | 5/3-way valve | | | | | | |
| Normal position | | | | | | | |
| G | Closed | | | | | | |
| E | Exhausted | | | | | | |
| B | Pressurised | | | | | | |
| Design, pneumatic connection/nominal size | | | | | | | |
| 1/8 | Semi in-line valve, thread G1/8 | | | | | | |
| 5.0 | Sub-base valve, 5 mm | | | | | | |
| Mounting method | | | | | | | |
| P | On manifold PRS-ME | | | | | | |
| Type of reset | | | | | | | |
| | Mechanical spring | | | | | | |
| L | Pneumatic spring | | | | | | |
| Pilot air supply | | | | | | | |
| | Internal | | | | | | |
| S | External | | | | | | |
| Generation | | | | | | | |
| B | B series | | | | | | |
| Operating voltage | | | | | | | |
| | 24 V DC | | | | | | |
| 110AC | 110 V AC | | | | | | |
| 230AC | 230 V AC | | | | | | |

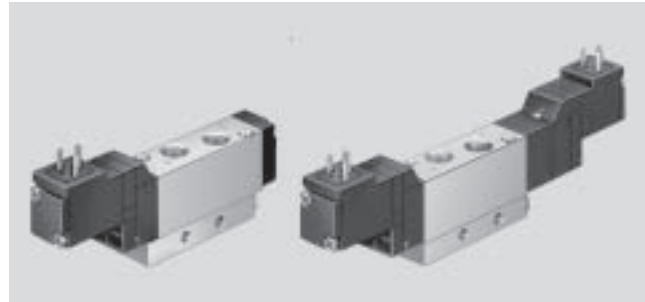
Solenoid valves MEBH, midi pneumatics



Technical data

-  - Flow rate
200 ... 700 l/min

-  - Voltage
24 V DC
110/230 V AC



| General technical data | | | | | | | |
|--|-----------|---|--------------|---------------|-------------|-----|-----|
| Type | | MEBH-3/2-... MOEBH-3/2-... | MEBH-5/2-... | JMEBH-5/2-... | MEBH-5/3... | | |
| Design | | Piston spool | | | | | |
| Type of mounting | ...-1/8 | 2 through-holes | | | | | |
| | ...-5.0 | On sub-base with two M3 screws | | | | | |
| | ...-1/8-P | On manifold with two M3 screws | | | | | |
| Pneumatic connection | ...-1/8 | G1/8 | | | | | |
| | ...-5.0 | Sub-base | | | | | |
| | ...-1/8-P | G1/8 | | | | | |
| Nominal size | [mm] | 5 | | | | | |
| Standard nominal flow rate 1 → 2, 1 → 4 | | | | | G | E | B |
| | ...-1/8 | 600/500 | 600 | 650 | 600 | 300 | 200 |
| | ...-5.0 | 700/600 | 700 | 700 | 500 | 400 | 400 |
| | ...-1/8-P | 600/500 | 600 | 650 | 650 | 300 | 200 |
| Materials | | Housing: Aluminium Seals: Nitrile rubber | | | | | |
| Weight | [g] | | | | | | |
| | ...-1/8 | 105 | 105 | 142 | 153 | | |
| | ...-5.0 | 105 | 105 | 146 | 150 | | |
| | ...-1/8-P | 105 | 105 | 142 | 153 | | |

| Operating and environmental conditions | | | | | | | |
|--|---------------------------|---|--------------|---------------|-------------|---------|--|
| Type | | MEBH-3/2-... MOEBH-3/2-... | MEBH-5/2-... | JMEBH-5/2-... | MEBH-5/3... | | |
| Operating medium | | Filtered compressed air, lubricated or unlubricated ¹⁾ Vacuum | | | | | |
| Operating pressure range | Internal pilot air supply | [bar] | 2 ... 8 | 2.5 ... 8 | 1.5 ... 8 | 3 ... 8 | |
| | External pilot air supply | [bar] | - | -0.9 ... +10 | | | |
| Pilot pressure range | | [bar] | - | 2.5 ... 8 | 1.5 ... 8 | 3 ... 8 | |
| Ambient temperature | | [°C] | -5 ... +50 | | | | |
| Temperature of medium | | [°C] | -5 ... +50 | | | | |

1) Only oils of viscosity class 32 may be used for lubricated operation.

Solenoid valves MEBH, midi pneumatics



Technical data

| Valve response times [ms] | | | | | | | |
|---------------------------|-------------------------------|-----------|--------------|-----------|---------------|-------------|-----------|
| Type | MEBH-3/2-... MOEBH-3/2-... | | MEBH-5/2-... | | JMEBH-5/2-... | MEBH-5/3... | |
| Type of reset | mechanical | pneumatic | mechanical | pneumatic | – | mechanical | pneumatic |
| On | 10 | – | 10 | 15 | – | 12 | – |
| Off | 28 | – | 28 | 18 | – | 25 | – |
| Changeover | – | – | – | – | 10 | – | – |

| Electrical data | | | |
|-------------------------------|--------------|--------|---|
| EB solenoid coil | | | |
| Electrical connection | | | Plug, square design to EN 175 301-803, type C |
| Operating voltage | D.C. voltage | [V DC] | 24 |
| | AC voltage | [V AC] | 110/230 (50 ... 60 Hz) |
| Coil characteristics | D.C. voltage | [W] | 2.5 |
| | AC voltage | [VA] | 2.4 |
| Protection class to EN 60 529 | | | IP65 (in combination with plug socket) |

Solenoid valves MEBH, midi pneumatics

Technical data – 3/2-way valves



Dimensions Download CAD data → www.festo.com/en/engineering

Semi in-line valve with thread G1/8

- 1 Solenoid coil can be rotated 180°¹⁾
- 2 Manual override
- 3 Suitable for plug sockets to EN 175 301-803, form C: MSSD-EB or KMEB-...
- 4 Manual override tool (accessory) AHB-ME-1/8

1) The seal must not be turned!

Semi in-line valve for manifold PRS-ME

- 1 Solenoid coil can be rotated 180°¹⁾
- 2 Manual override
- 3 Suitable for plug sockets to EN 175 301-803, form C: MSSD-EB or KMEB-...
- 4 Manual override tool (accessory) AHB-ME-1/8

1) The seal must not be turned!

Directional control valves for standard applications
Midi Pneumatic

2.4

Solenoid valves MEBH, midi pneumatics

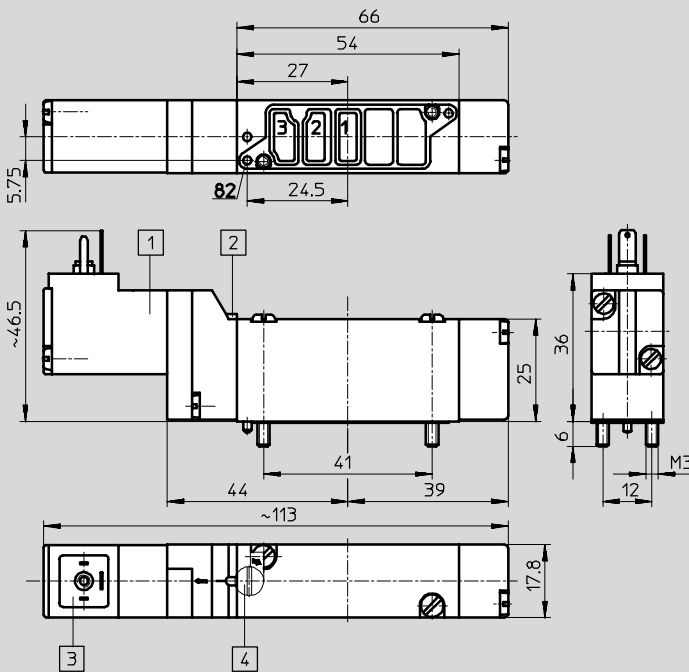
Technical data – 3/2-way valves



Dimensions

Download CAD data → www.festo.com/en/engineering

Sub-base valve



- 1 Solenoid coil can be rotated 180°¹⁾
 - 2 Manual override
 - 3 Suitable for plug sockets to EN 175 301-803, form C: MSSD-EB or KMEB-...
 - 4 Manual override tool (accessory) AHB-ME-1/8
- 1) The seal must not be turned!

Ordering data

| Circuit symbol | Description | Voltage | Part No. | Type |
|------------------------|--|----------|----------|-------------------------|
| Normally closed | | | | |
| | Semi in-line valve with thread G1/8 | 24 V DC | 172 998 | MEBH-3/2-1/8-B |
| | | 110 V AC | 173 042 | MEBH-3/2-1/8-B-110AC |
| | | 230 V AC | 173 084 | MEBH-3/2-1/8-B-230AC |
| | Semi in-line valve for manifold PRS-ME | 24 V DC | 173 000 | MEBH-3/2-1/8-P-B |
| | | 110 V AC | 173 056 | MEBH-3/2-1/8-P-B-110AC |
| | | 230 V AC | 173 098 | MEBH-3/2-1/8-P-B-230AC |
| | Sub-base valve | 24 V DC | 172 999 | MEBH-3/2-5,0-B |
| | | 110 V AC | 173 070 | MEBH-3/2-5,0-B-110AC |
| | | 230 V AC | 173 112 | MEBH-3/2-5,0-B-230AC |
| Normally open | | | | |
| | Semi in-line valve with thread G1/8 | 24 V DC | 173 001 | MOEBH-3/2-1/8-B |
| | | 110 V AC | 173 053 | MOEBH-3/2-1/8-B-110AC |
| | | 230 V AC | 173 095 | MOEBH-3/2-1/8-B-230AC |
| | Semi in-line valve for manifold PRS-ME | 24 V DC | 173 003 | MOEBH-3/2-1/8-P-B |
| | | 110 V AC | 173 067 | MOEBH-3/2-1/8-P-B-110AC |
| | | 230 V AC | 173 109 | MOEBH-3/2-1/8-P-B-230AC |
| | Sub-base valve | 24 V DC | 173 002 | MOEBH-3/2-5,0-B |
| | | 110 V AC | 173 081 | MOEBH-3/2-5,0-B-110AC |
| | | 230 V AC | 173 123 | MOEBH-3/2-5,0-B-230AC |

Solenoid valves MEBH, midi pneumatics

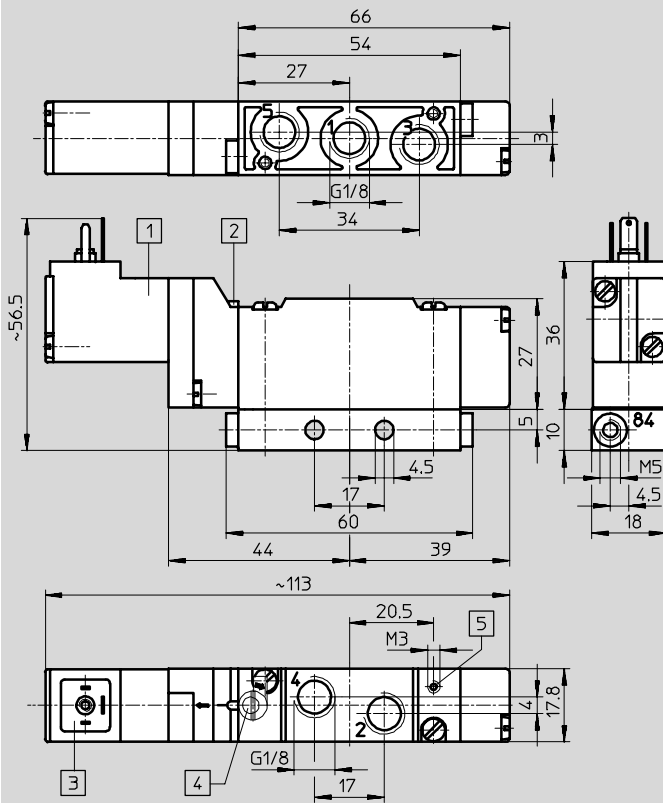
Technical data – 5/2-way valves



Dimensions

Download CAD data → www.festo.com/en/engineering

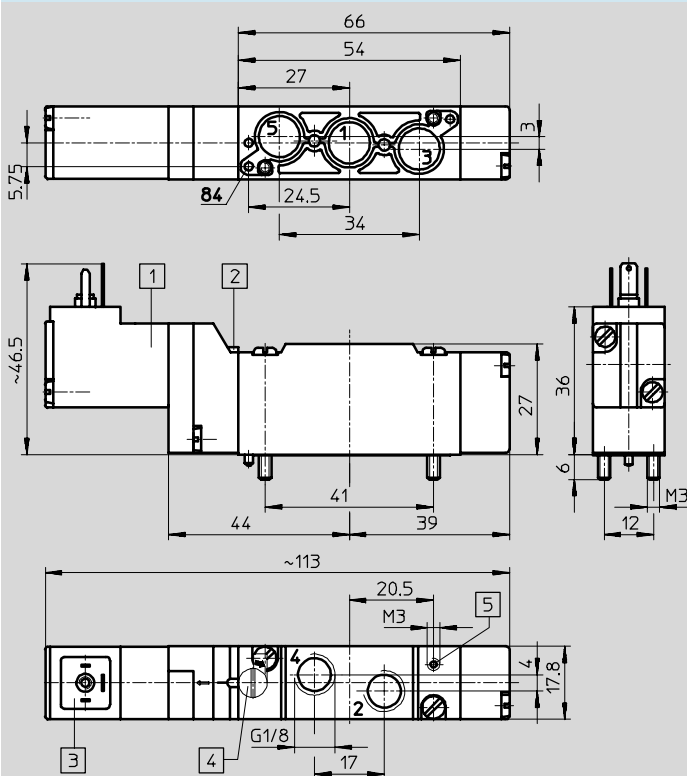
Semi in-line valve with thread G1/8



- 1 Solenoid coil can be rotated 180°¹⁾
- 2 Manual override
- 3 Suitable for plug sockets to EN 175 301-803, form C: MSSD-EB or KMEB-...
- 4 Manual override tool (accessory) AHB-ME-1/8
- 5 Port for external pilot air on S types

1) The seal must not be turned!

Semi in-line valve for manifold PRS-ME



- 1 Solenoid coil can be rotated 180°¹⁾
- 2 Manual override
- 3 Suitable for plug sockets to EN 175 301-803, form C: MSSD-EB or KMEB-...
- 4 Manual override tool (accessory) AHB-ME-1/8
- 5 Port for external pilot air on S types

1) The seal must not be turned!

Solenoid valves MEBH, midi pneumatics

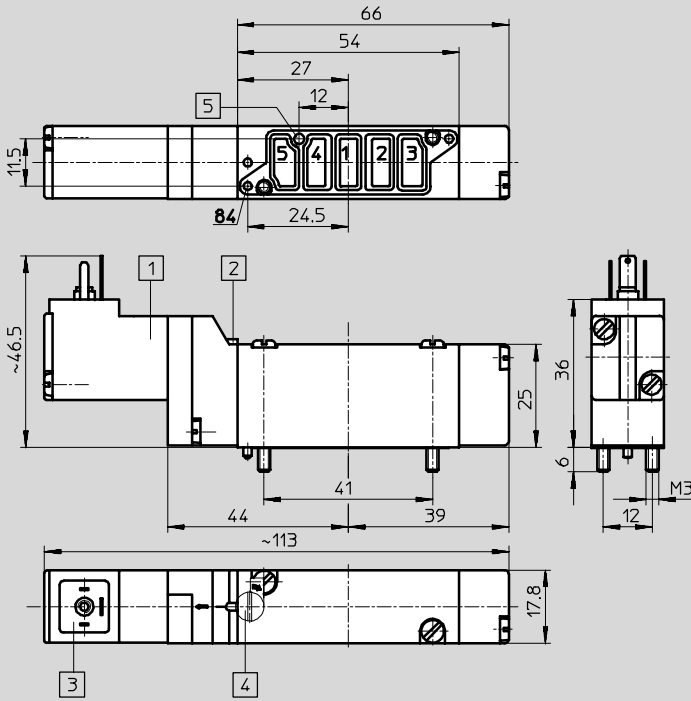
Technical data – 5/2-way valves



Dimensions

Download CAD data → www.festo.com/en/engineering

Sub-base valve



- 1 Solenoid coil can be rotated 180°¹⁾
- 2 Manual override
- 3 Suitable for plug sockets to EN 175 301-803, form C: MSSD-EB or KMEB-...
- 4 Manual override tool (accessory) AHB-ME-1/8
- 5 Port for external pilot air on S types

1) The seal must not be turned!

Solenoid valves MEBH, midi pneumatics



Technical data – 5/2-way valves

| Ordering data | | | | |
|--|--|----------|----------|--|
| Circuit symbol | Description | Voltage | Part No. | Type |
| Mechanical spring return, internal pilot air supply | | | | |
| | Semi in-line valve with thread G $\frac{1}{8}$ | 24 V DC | 173 004 | MEBH-5/2- $\frac{1}{8}$ -B |
| | | 110 V AC | 173 043 | MEBH-5/2- $\frac{1}{8}$ -B-110AC |
| | | 230 V AC | 173 085 | MEBH-5/2- $\frac{1}{8}$ -B-230AC |
| | Semi in-line valve for manifold PRS-ME | 24 V DC | 173 006 | MEBH-5/2- $\frac{1}{8}$ -P-B |
| | | 110 V AC | 173 057 | MEBH-5/2- $\frac{1}{8}$ -P-B-110AC |
| | | 230 V AC | 173 099 | MEBH-5/2- $\frac{1}{8}$ -P-B-230AC |
| | Sub-base valve | 24 V DC | 173 005 | MEBH-5/2-5,0-B |
| | | 110 V AC | 173 071 | MEBH-5/2-5,0-B-110AC |
| | | 230 V AC | 173 113 | MEBH-5/2-5,0-B-230AC |
| Mechanical spring return, external pilot air supply | | | | |
| | Semi in-line valve with thread G $\frac{1}{8}$ | 24 V DC | 173 007 | MEBH-5/2- $\frac{1}{8}$ -S-B |
| | | 110 V AC | 173 046 | MEBH-5/2- $\frac{1}{8}$ -S-B-110AC |
| | | 230 V AC | 173 088 | MEBH-5/2- $\frac{1}{8}$ -S-B-230AC |
| | Semi in-line valve for manifold PRS-ME | 24 V DC | 173 009 | MEBH-5/2- $\frac{1}{8}$ -P-S-B |
| | | 110 V AC | 173 060 | MEBH-5/2- $\frac{1}{8}$ -P-S-B-110AC |
| | | 230 V AC | 173 102 | MEBH-5/2- $\frac{1}{8}$ -P-S-B-230AC |
| | Sub-base valve | 24 V DC | 173 008 | MEBH-5/2-5,0-S-B |
| | | 110 V AC | 173 074 | MEBH-5/2-5,0-S-B-110AC |
| | | 230 V AC | 173 116 | MEBH-5/2-5,0-S-B-230AC |
| Pneumatic spring return, internal pilot air supply | | | | |
| | Semi in-line valve with thread G $\frac{1}{8}$ | 24 V DC | 173 010 | MEBH-5/2- $\frac{1}{8}$ -L-B |
| | | 110 V AC | 173 044 | MEBH-5/2- $\frac{1}{8}$ -L-B-110AC |
| | | 230 V AC | 173 086 | MEBH-5/2- $\frac{1}{8}$ -L-B-230AC |
| | Semi in-line valve for manifold PRS-ME | 24 V DC | 173 012 | MEBH-5/2- $\frac{1}{8}$ -P-L-B |
| | | 110 V AC | 173 058 | MEBH-5/2- $\frac{1}{8}$ -P-L-B-110AC |
| | | 230 V AC | 173 100 | MEBH-5/2- $\frac{1}{8}$ -P-L-B-230AC |
| | Sub-base valve | 24 V DC | 173 011 | MEBH-5/2-5,0-L-B |
| | | 110 V AC | 173 072 | MEBH-5/2-5,0-L-B-110AC |
| | | 230 V AC | 173 114 | MEBH-5/2-5,0-L-B-230AC |
| Pneumatic spring return, external pilot air supply | | | | |
| | Semi in-line valve with thread G $\frac{1}{8}$ | 24 V DC | 173 013 | MEBH-5/2- $\frac{1}{8}$ -L-S-B |
| | | 110 V AC | 173 045 | MEBH-5/2- $\frac{1}{8}$ -L-S-B-110AC |
| | | 230 V AC | 173 087 | MEBH-5/2- $\frac{1}{8}$ -L-S-B-230AC |
| | Semi in-line valve for manifold PRS-ME | 24 V DC | 173 015 | MEBH-5/2- $\frac{1}{8}$ -P-L-S-B |
| | | 110 V AC | 173 059 | MEBH-5/2- $\frac{1}{8}$ -P-L-S-B-110AC |
| | | 230 V AC | 173 101 | MEBH-5/2- $\frac{1}{8}$ -P-L-S-B-230AC |
| | Sub-base valve | 24 V DC | 173 014 | MEBH-5/2-5,0-L-S-B |
| | | 110 V AC | 173 073 | MEBH-5/2-5,0-L-S-B-110AC |
| | | 230 V AC | 173 115 | MEBH-5/2-5,0-L-S-B-230AC |

Directional control valves for standard applications
Midi Pneumatic

2.4

Solenoid valves MEBH, midi pneumatics

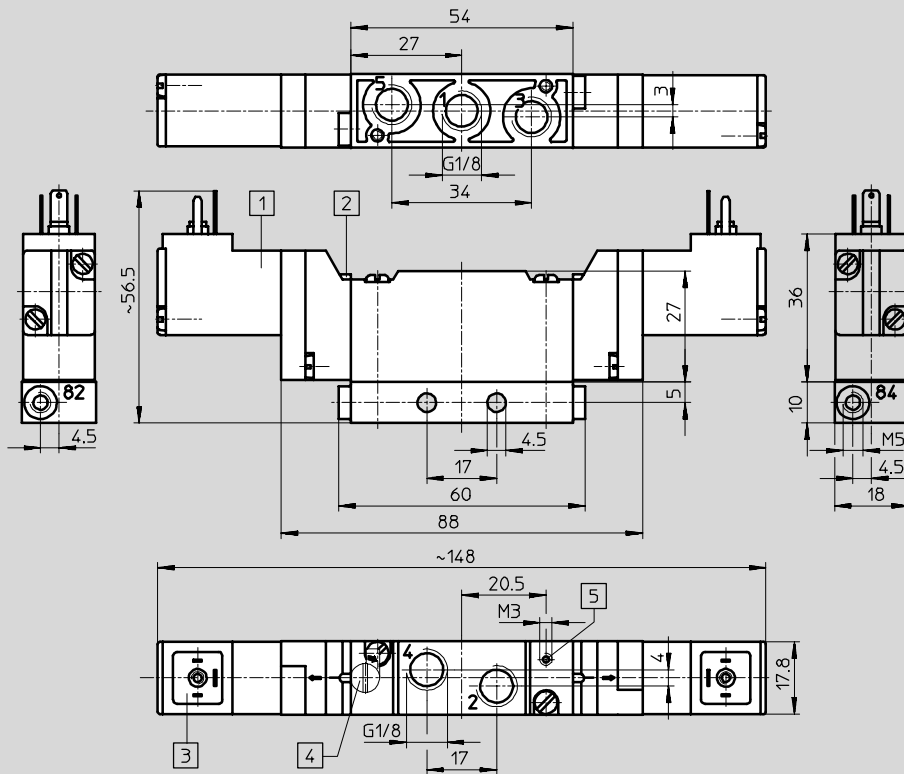
Technical data – 5/2-way valves, double solenoid



Dimensions

Download CAD data → www.festo.com/en/engineering

Semi in-line valve with thread G1/8

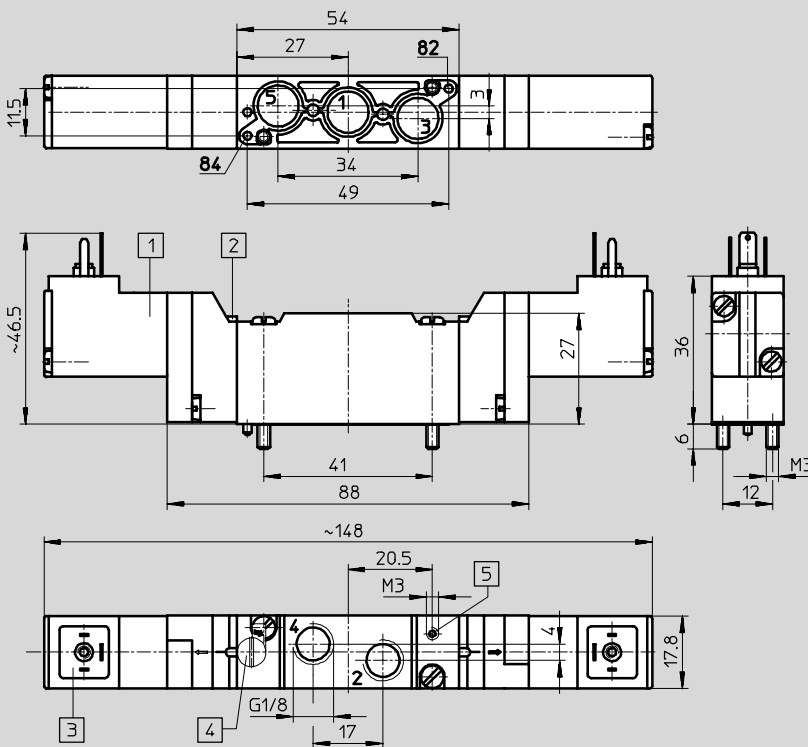


- 1 Solenoid coil can be rotated 180°¹⁾
 - 2 Manual override
 - 3 Suitable for plug sockets to EN 175 301-803, form C: MSSD-EB or KMEB-...
 - 4 Manual override tool (accessory) AHB-ME-1/8
 - 5 Port for external pilot air on S types
- 1) The seal must not be turned!

Directional control valves for standard applications
Midi Pneumatic

2.4

Semi in-line valve for manifold PRS-ME



- 1 Solenoid coil can be rotated 180°¹⁾
 - 2 Manual override
 - 3 Suitable for plug sockets to EN 175 301-803, form C: MSSD-EB or KMEB-...
 - 4 Manual override tool (accessory) AHB-ME-1/8
 - 5 Port for external pilot air on S types
- 1) The seal must not be turned!

Solenoid valves MEBH, midi pneumatics

Technical data – 5/2-way valves, double solenoid



Dimensions Download CAD data → www.festo.com/en/engineering

Sub-base valve

1 Solenoid coil can be rotated 180°¹⁾
 2 Manual override
 3 Suitable for plug sockets to EN 175 301-803, form C: MSSD-EB or KMEB-...
 4 Manual override tool (accessory) AHB-ME-1/8
 5 Port for external pilot air on S types

1) The seal must not be turned!

| Ordering data | | | | |
|----------------------------------|--|----------|----------|---------------------------|
| Circuit symbol | Description | Voltage | Part No. | Type |
| Internal pilot air supply | | | | |
| | Semi in-line valve with thread G1/8 | 24 V DC | 173 034 | JMEBH-5/2-1/8-B |
| | | 110 V AC | 173 040 | JMEBH-5/2-1/8-B-110AC |
| | | 230 V AC | 173 082 | JMEBH-5/2-1/8-B-230AC |
| | Semi in-line valve for manifold PRS-ME | 24 V DC | 173 036 | JMEBH-5/2-1/8-P-B |
| | | 110 V AC | 173 054 | JMEBH-5/2-1/8-P-B-110AC |
| | | 230 V AC | 173 096 | JMEBH-5/2-1/8-P-B-230AC |
| | Sub-base valve | 24 V DC | 173 035 | JMEBH-5/2-5,0-B |
| | | 110 V AC | 173 068 | JMEBH-5/2-5,0-B-110AC |
| | | 230 V AC | 173 110 | JMEBH-5/2-5,0-B-230AC |
| External pilot air supply | | | | |
| | Semi in-line valve with thread G1/8 | 24 V DC | 173 037 | JMEBH-5/2-1/8-S-B |
| | | 110 V AC | 173 041 | JMEBH-5/2-1/8-S-B-110AC |
| | | 230 V AC | 173 083 | JMEBH-5/2-1/8-S-B-230AC |
| | Semi in-line valve for manifold PRS-ME | 24 V DC | 173 039 | JMEBH-5/2-1/8-P-S-B |
| | | 110 V AC | 173 055 | JMEBH-5/2-1/8-P-S-B-110AC |
| | | 230 V AC | 173 097 | JMEBH-5/2-1/8-P-S-B-230AC |
| | Sub-base valve | 24 V DC | 173 038 | JMEBH-5/2-5,0-S-B |
| | | 110 V AC | 173 069 | JMEBH-5/2-5,0-S-B-110AC |
| | | 230 V AC | 173 111 | JMEBH-5/2-5,0-S-B-230AC |

Solenoid valves MEBH, midi pneumatics

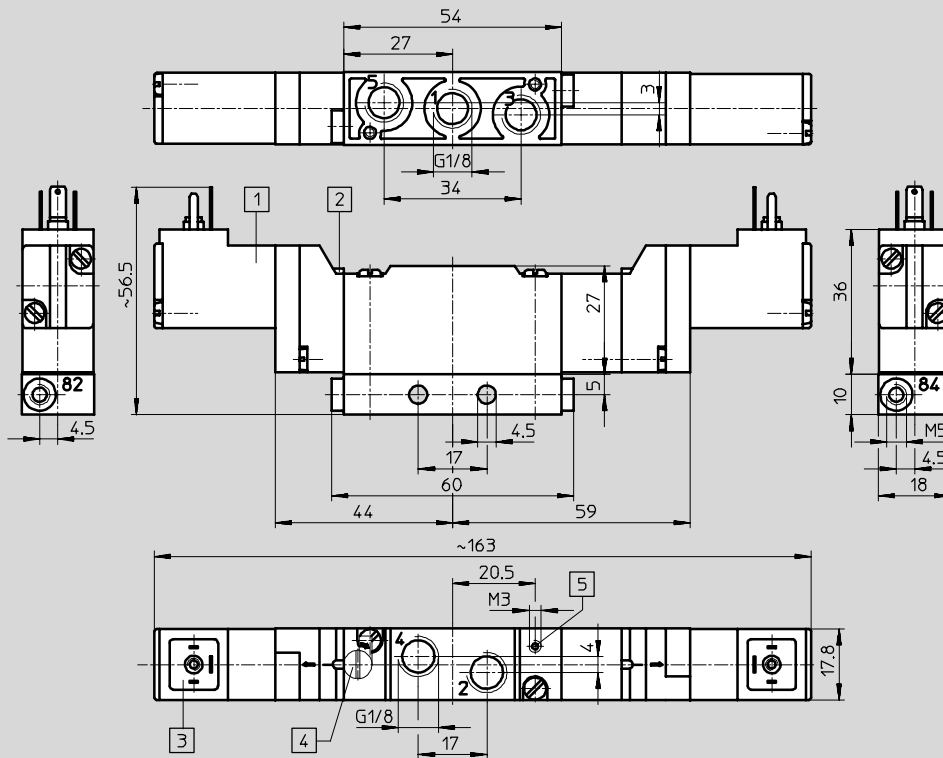
Technical data – 5/3-way valves



Dimensions

Download CAD data → www.festo.com/en/engineering

Semi in-line valve with thread G $\frac{1}{8}$

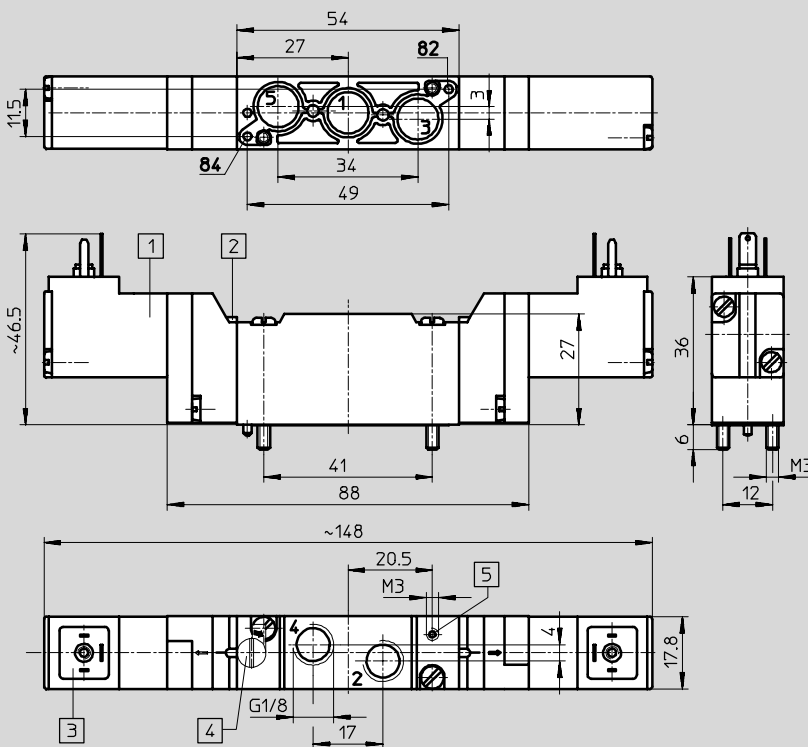


- 1) Solenoid coil can be rotated 180°¹⁾
 - 2) Manual override
 - 3) Suitable for plug sockets to EN 175 301-803, form C: MSSD-EB or KMEB-...
 - 4) Manual override tool (accessory) AHB-ME- $\frac{1}{8}$
 - 5) Port for external pilot air on S types
- 1) The seal must not be turned!

Directional control valves for standard applications
Midi Pneumatic

2.4

Semi in-line valve for manifold PRS-ME



- 1) Solenoid coil can be rotated 180°¹⁾
 - 2) Manual override
 - 3) Suitable for plug sockets to EN 175 301-803, form C: MSSD-EB or KMEB-...
 - 4) Manual override tool (accessory) AHB-ME- $\frac{1}{8}$
 - 5) Port for external pilot air on S types
- 1) The seal must not be turned!

Solenoid valves MEBH, midi pneumatics

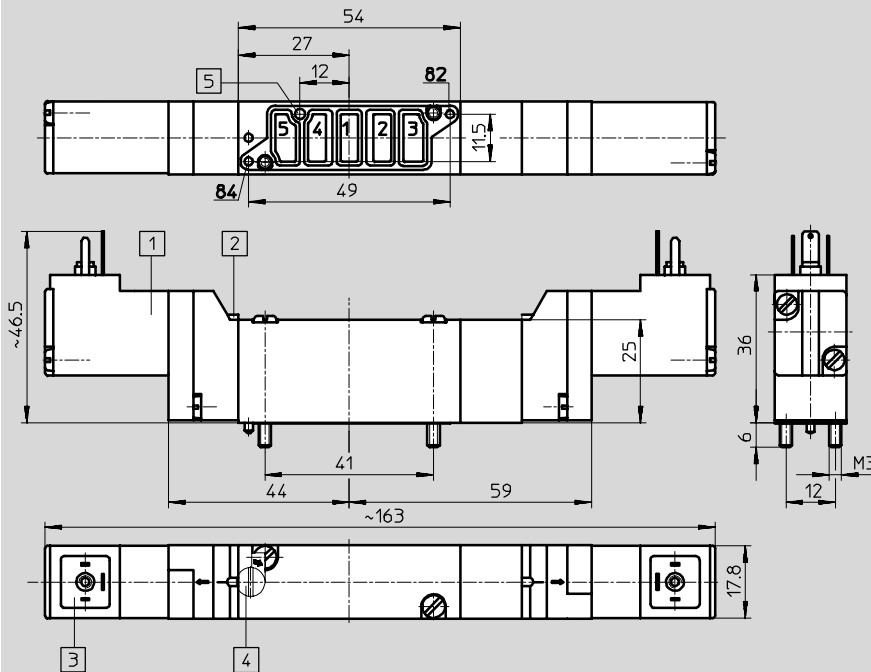
Technical data – 5/3-way valves



Dimensions

Download CAD data → www.festo.com/en/engineering

Sub-base valve



- 1) Solenoid coil can be rotated 180°¹⁾
 - 2) Manual override
 - 3) Suitable for plug sockets to EN 175 301-803, form C: MSSD-EB or KMEB-...
 - 4) Manual override tool (accessory) AHB-ME-1/8
 - 5) Port for external pilot air on S types
- 1) The seal must not be turned!

| Ordering data | | | | |
|--|--|----------|----------|---------------------------|
| Circuit symbol | Description | Voltage | Part No. | Type |
| Normally closed, internal pilot air supply | | | | |
| | Semi in-line valve with thread G1/8 | 24 V DC | 173 016 | MEBH-5/3G-1/8-B |
| | | 110 V AC | 173 051 | MEBH-5/3G-1/8-B-110AC |
| | | 230 V AC | 173 093 | MEBH-5/3G-1/8-B-230AC |
| | Semi in-line valve for manifold PRS-ME | 24 V DC | 173 018 | MEBH-5/3G-1/8-P-B |
| | | 110 V AC | 173 065 | MEBH-5/3G-1/8-P-B-110AC |
| | | 230 V AC | 173 107 | MEBH-5/3G-1/8-P-B-230AC |
| | Sub-base valve | 24 V DC | 173 017 | MEBH-5/3G-5,0-B |
| | | 110 V AC | 173 079 | MEBH-5/3G-5,0-B-110AC |
| | | 230 V AC | 173 121 | MEBH-5/3G-5,0-B-230AC |
| Normally closed, external pilot air supply | | | | |
| | Semi in-line valve with thread G1/8 | 24 V DC | 173 019 | MEBH-5/3G-1/8-S-B |
| | | 110 V AC | 173 052 | MEBH-5/3G-1/8-S-B-110AC |
| | | 230 V AC | 173 094 | MEBH-5/3G-1/8-S-B-230AC |
| | Semi in-line valve for manifold PRS-ME | 24 V DC | 173 021 | MEBH-5/3G-1/8-P-S-B |
| | | 110 V AC | 173 066 | MEBH-5/3G-1/8-P-S-B-110AC |
| | | 230 V AC | 173 108 | MEBH-5/3G-1/8-P-S-B-230AC |
| | Sub-base valve | 24 V DC | 173 020 | MEBH-5/3G-5,0-S-B |
| | | 110 V AC | 173 080 | MEBH-5/3G-5,0-S-B-110AC |
| | | 230 V AC | 173 122 | MEBH-5/3G-5,0-S-B-230AC |

Directional control valves for standard applications
Midi Pneumatic

Solenoid valves MEBH, midi pneumatics

Technical data – 5/3-way valves




| Ordering data | | | | |
|--|--|----------|----------|---------------------------------------|
| Circuit symbol | Description | Voltage | Part No. | Type |
| Normally exhausted, internal pilot air supply | | | | |
| | Semi in-line valve with thread G $\frac{1}{8}$ | 24 V DC | 173 022 | MEBH-5/3E- $\frac{1}{8}$ -B |
| | | 110 V AC | 173 049 | MEBH-5/3E- $\frac{1}{8}$ -B-110AC |
| | | 230 V AC | 173 091 | MEBH-5/3E- $\frac{1}{8}$ -B-230AC |
| | Semi in-line valve for manifold PRS-ME | 24 V DC | 173 024 | MEBH-5/3E- $\frac{1}{8}$ -P-B |
| | | 110 V AC | 173 063 | MEBH-5/3E- $\frac{1}{8}$ -P-B-110AC |
| | | 230 V AC | 173 105 | MEBH-5/3E- $\frac{1}{8}$ -P-B-230AC |
| | Sub-base valve | 24 V DC | 173 023 | MEBH-5/3E-5,0-B |
| | | 110 V AC | 173 077 | MEBH-5/3E-5,0-B-110AC |
| | | 230 V AC | 173 119 | MEBH-5/3E-5,0-B-230AC |
| Normally exhausted, external pilot air supply | | | | |
| | Semi in-line valve with thread G $\frac{1}{8}$ | 24 V DC | 173 025 | MEBH-5/3E- $\frac{1}{8}$ -S-B |
| | | 110 V AC | 173 050 | MEBH-5/3E- $\frac{1}{8}$ -S-B-110AC |
| | | 230 V AC | 173 092 | MEBH-5/3E- $\frac{1}{8}$ -S-B-230AC |
| | Semi in-line valve for manifold PRS-ME | 24 V DC | 173 027 | MEBH-5/3E- $\frac{1}{8}$ -P-S-B |
| | | 110 V AC | 173 064 | MEBH-5/3E- $\frac{1}{8}$ -P-S-B-110AC |
| | | 230 V AC | 173 106 | MEBH-5/3E- $\frac{1}{8}$ -P-S-B-230AC |
| | Sub-base valve | 24 V DC | 173 026 | MEBH-5/3E-5,0-S-B |
| | | 110 V AC | 173 078 | MEBH-5/3E-5,0-S-B-110AC |
| | | 230 V AC | 173 120 | MEBH-5/3E-5,0-S-B-230AC |
| Normally pressurised, internal pilot air supply | | | | |
| | Semi in-line valve with thread G $\frac{1}{8}$ | 24 V DC | 173 028 | MEBH-5/3B- $\frac{1}{8}$ -B |
| | | 110 V AC | 173 047 | MEBH-5/3B- $\frac{1}{8}$ -B-110AC |
| | | 230 V AC | 173 089 | MEBH-5/3B- $\frac{1}{8}$ -B-230AC |
| | Semi in-line valve for manifold PRS-ME | 24 V DC | 173 030 | MEBH-5/3B- $\frac{1}{8}$ -P-B |
| | | 110 V AC | 173 061 | MEBH-5/3B- $\frac{1}{8}$ -P-B-110AC |
| | | 230 V AC | 173 103 | MEBH-5/3B- $\frac{1}{8}$ -P-B-230AC |
| | Sub-base valve | 24 V DC | 173 029 | MEBH-5/3B-5,0-B |
| | | 110 V AC | 173 075 | MEBH-5/3B-5,0-B-110AC |
| | | 230 V AC | 173 117 | MEBH-5/3B-5,0-B-230AC |
| Normally pressurised, external pilot air supply | | | | |
| | Semi in-line valve with thread G $\frac{1}{8}$ | 24 V DC | 173 031 | MEBH-5/3B- $\frac{1}{8}$ -S-B |
| | | 110 V AC | 173 048 | MEBH-5/3B- $\frac{1}{8}$ -S-B-110AC |
| | | 230 V AC | 173 090 | MEBH-5/3B- $\frac{1}{8}$ -S-B-230AC |
| | Semi in-line valve for manifold PRS-ME | 24 V DC | 173 033 | MEBH-5/3B- $\frac{1}{8}$ -P-S-B |
| | | 110 V AC | 173 062 | MEBH-5/3B- $\frac{1}{8}$ -P-S-B-110AC |
| | | 230 V AC | 173 104 | MEBH-5/3B- $\frac{1}{8}$ -P-S-B-230AC |
| | Sub-base valve | 24 V DC | 173 032 | MEBH-5/3B-5,0-S-B |
| | | 110 V AC | 173 076 | MEBH-5/3B-5,0-S-B-110AC |
| | | 230 V AC | 173 118 | MEBH-5/3B-5,0-S-B-230AC |

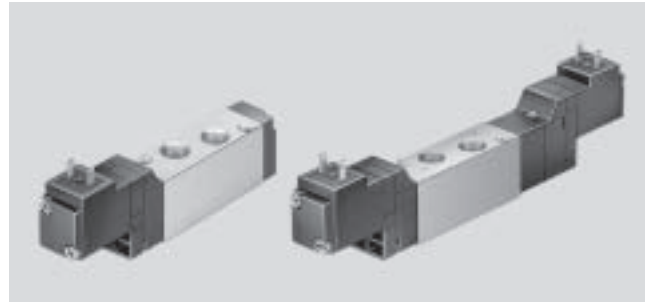
Solenoid valves MEH, midi pneumatics



Technical data

-  - Flow rate
200 ... 700 l/min

-  - Voltage
24 V DC



| General technical data | | | | | | | | |
|--|-----------|---|-------------|--------------|------------|-----|-----|-----|
| Type | | MEH-3/2-... MOEH-3/2-... | MEH-5/2-... | JMEH-5/2-... | MEH-5/3... | | | |
| Design | | Piston spool | | | | | | |
| Type of mounting | ...-1/8 | 2 through-holes | | | | | | |
| | ...-5.0 | On sub-base with two M3 screws | | | | | | |
| | ...-1/8-P | On manifold with two M3 screws | | | | | | |
| Pneumatic connection | ...-1/8 | G1/8 | | | | | | |
| | ...-5.0 | Sub-base | | | | | | |
| | ...-1/8-P | G1/8 | | | | | | |
| Nominal size | [mm] | 5 | | | | | | |
| Standard nominal flow rate 1 → 2, 1 → 4 | [l/min] | ...-1/8 | 600/500 | 600 | 650 | G | E | B |
| | | ...-5.0 | 700/600 | 700 | 700 | 600 | 300 | 200 |
| | | ...-1/8-P | 600/500 | 600 | 650 | 500 | 400 | 400 |
| | | | | | | 650 | 300 | 200 |
| Materials | | Housing: Aluminium Seals: Nitrile rubber | | | | | | |
| Weight | [g] | ...-1/8 | 105 | 105 | 142 | 153 | | |
| | | ...-5.0 | 105 | 105 | 146 | 150 | | |
| | | ...-1/8-P | 105 | 105 | 142 | 153 | | |

| Operating and environmental conditions | | | | | | | |
|--|---------------------------|---|-------------|--------------|------------|---------|--|
| Type | | MEH-3/2-... MOEBH-3/2-... | MEH-5/2-... | JMEH-5/2-... | MEH-5/3... | | |
| Operating medium | | Filtered compressed air, lubricated or unlubricated ¹⁾ Vacuum | | | | | |
| Operating pressure range | Internal pilot air supply | [bar] | 2 ... 8 | 2.5 ... 8 | 1.5 ... 8 | 3 ... 8 | |
| | External pilot air supply | [bar] | - | -0.9 ... +10 | | | |
| Pilot pressure range | | [bar] | - | 2.5 ... 8 | 1.5 ... 8 | 3 ... 8 | |
| Ambient temperature | | [°C] | -5 ... +50 | | | | |
| Temperature of medium | | [°C] | -5 ... +50 | | | | |

1) Only oils of viscosity class 32 may be used for lubricated operation.

Solenoid valves MEH, midi pneumatics



Technical data

| Valve response times [ms] | | | | | | | |
|---------------------------|-------------------------------|-----------|--------------|-----------|---------------|-------------|-----------|
| Type | MEBH-3/2-... MOEBH-3/2-... | | MEBH-5/2-... | | JMEBH-5/2-... | MEBH-5/3... | |
| Type of reset | mechanical | pneumatic | mechanical | pneumatic | – | mechanical | pneumatic |
| On | 10 | – | 10 | 15 | – | 12 | – |
| Off | 28 | – | 28 | 18 | – | 25 | – |
| Changeover | – | – | – | – | 10 | – | – |

| Electrical data | |
|-------------------------------|---|
| EB solenoid coil | |
| Electrical connection | Plug, square design to EN 175 301-803, type C |
| Operating voltage | [V DC] 24 |
| Coil characteristics | [W] 1.5 |
| Protection class to EN 60 529 | IP65 (in combination with plug socket) |

Directional control valves for standard applications
Midi Pneumatic

2.4

Solenoid valves MEH, midi pneumatics

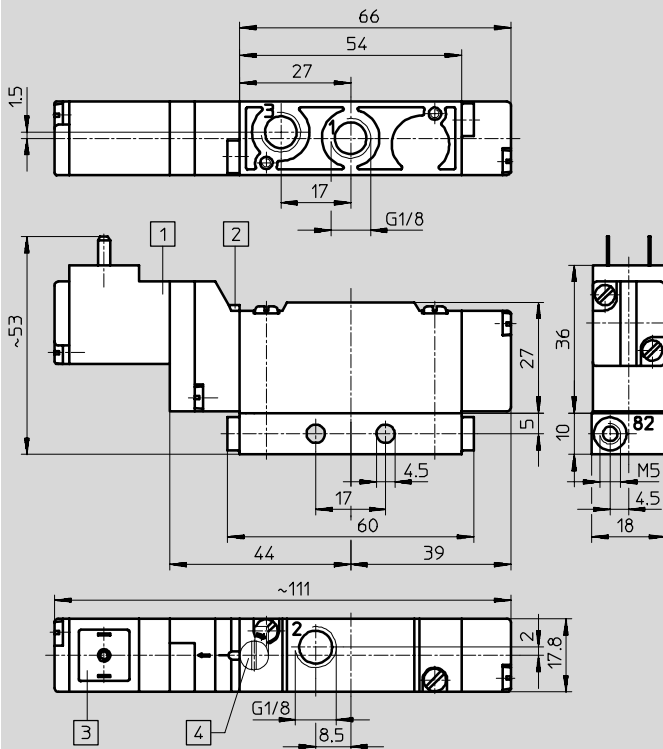
Technical data – 3/2-way valves



Dimensions

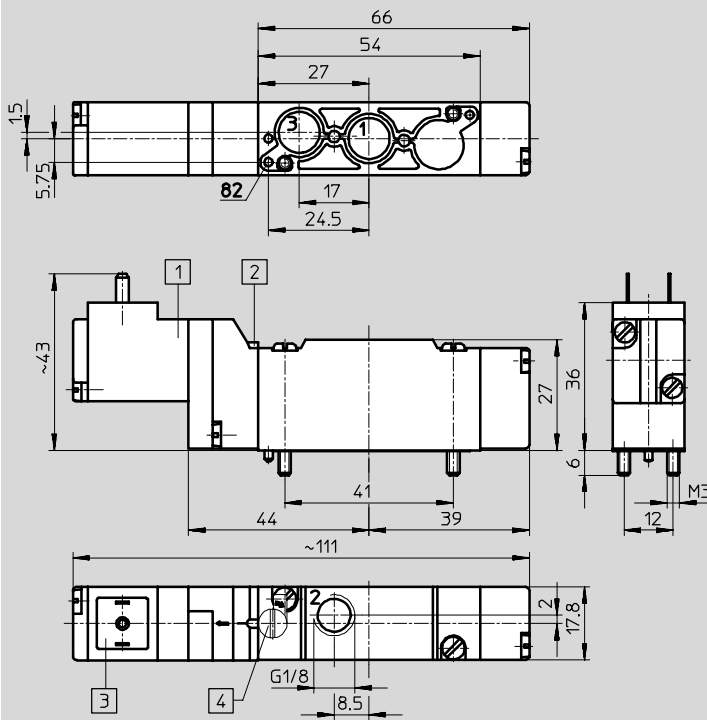
Download CAD data → www.festo.com/en/engineering

Semi in-line valve with thread G1/8



- 1 Solenoid coil can be rotated 180°¹⁾
 - 2 Manual override
 - 3 Suitable for terminal sockets to DIN 46 247 or plug sockets MSSD-E type KME type
 - 4 Manual override tool (accessory) AHB-ME-1/8
- 1) The seal must not be turned!

Semi in-line valve for manifold PRS-ME



- 1 Solenoid coil can be rotated 180°¹⁾
 - 2 Manual override
 - 3 Suitable for terminal sockets to DIN 46 247 or plug sockets MSSD-E type KME type
 - 4 Manual override tool (accessory) AHB-ME-1/8
- 1) The seal must not be turned!

Solenoid valves MEH, midi pneumatics

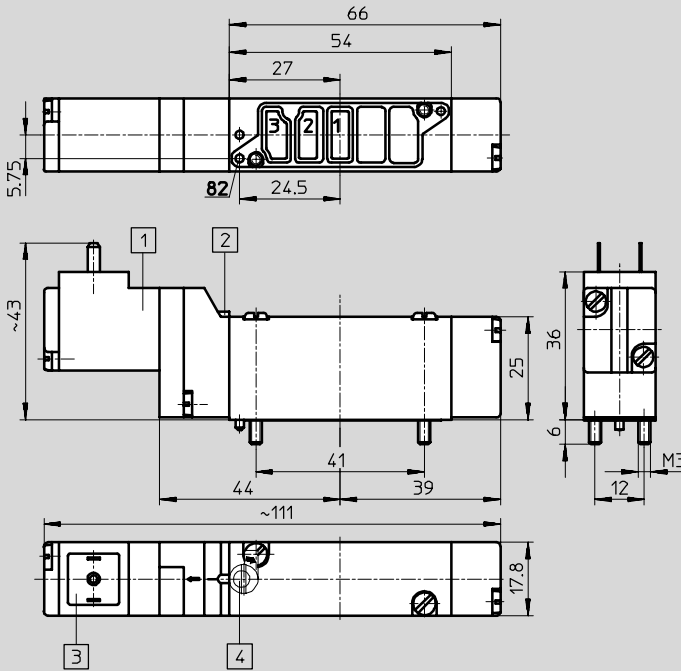
Technical data – 3/2-way valves



Dimensions

Download CAD data → www.festo.com/en/engineering

Sub-base valve



- 1 Solenoid coil can be rotated 180°¹⁾
 - 2 Manual override
 - 3 Suitable for terminal sockets to DIN 46 247 or plug sockets MSSD-E type KME type
 - 4 Manual override tool (accessory) AHB-ME-1/8
- 1) The seal must not be turned!

Ordering data

| Circuit symbol | Description | Voltage | Part No. | Type |
|------------------------|--|---------|----------|------------------|
| Normally closed | | | | |
| | Semi in-line valve with thread G1/8 | 24 V DC | 173 124 | MEH-3/2-1/8-B |
| | Semi in-line valve for manifold PRS-ME | | 173 126 | MEH-3/2-1/8-P-B |
| | Sub-base valve | | 173 125 | MEH-3/2-5,0-B |
| Normally open | | | | |
| | Semi in-line valve with thread G1/8 | 24 V DC | 173 428 | MOEH-3/2-1/8-B |
| | Semi in-line valve for manifold PRS-ME | | 173 430 | MOEH-3/2-1/8-P-B |
| | Sub-base valve | | 173 429 | MOEH-3/2-5,0-B |

Solenoid valves MEH, midi pneumatics

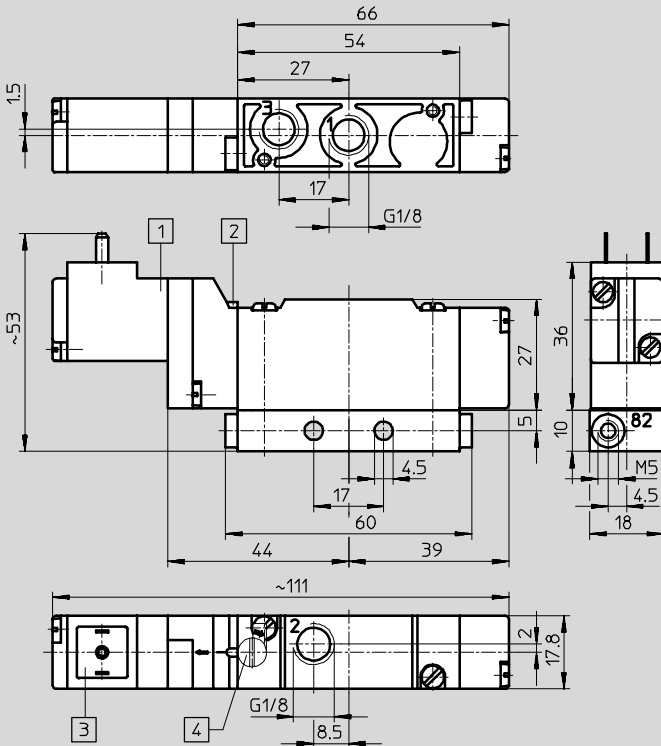
Technical data – 5/2-way valves



Dimensions

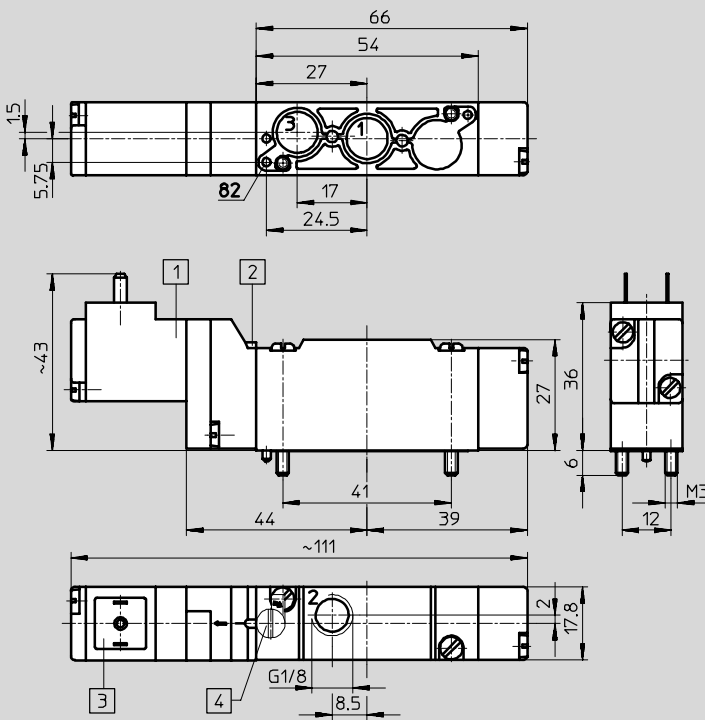
Download CAD data → www.festo.com/en/engineering

Semi in-line valve with thread G1/8



- 1 Solenoid coil can be rotated 180°¹⁾
 - 2 Manual override
 - 3 Suitable for terminal sockets to DIN 46 247 or plug sockets MSSD-E type KME type
 - 4 Manual override tool (accessory) AHB-ME-1/8
 - 5 Port for external pilot air on S types
- 1) The seal must not be turned!

Semi in-line valve for manifold PRS-ME



- 1 Solenoid coil can be rotated 180°¹⁾
 - 2 Manual override
 - 3 Suitable for terminal sockets to DIN 46 247 or plug sockets MSSD-E type KME type
 - 4 Manual override tool (accessory) AHB-ME-1/8
 - 5 Port for external pilot air on S types
- 1) The seal must not be turned!

Solenoid valves MEH, midi pneumatics

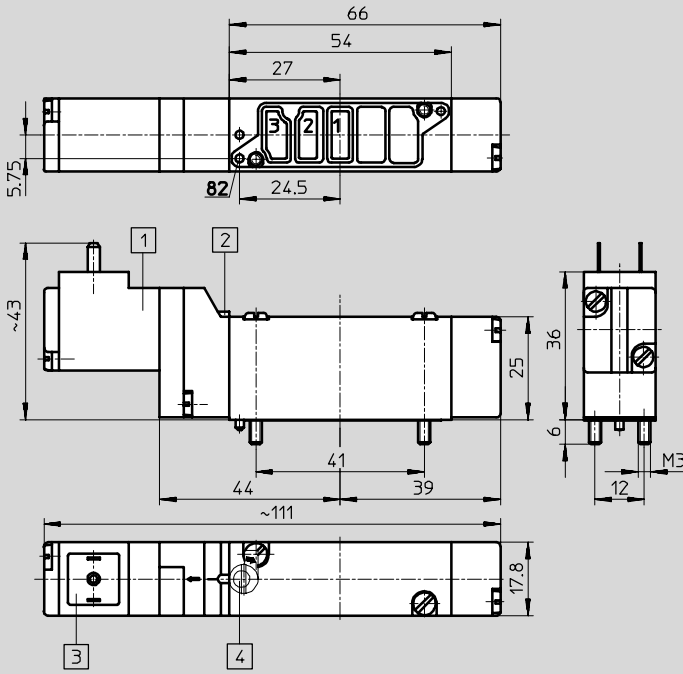
Technical data – 5/2-way valves



Dimensions

Download CAD data → www.festo.com/en/engineering

Sub-base valve



- 1 Solenoid coil can be rotated 180°¹⁾
 - 2 Manual override
 - 3 Suitable for terminal sockets to DIN 46 247 or plug sockets MSSD-E type KME type
 - 4 Manual override tool (accessory) AHB-ME-1/8
 - 5 Port for external pilot air on S types
- 1) The seal must not be turned!

Directional control valves for standard applications
Midi Pneumatic

2.4

Solenoid valves MEH, midi pneumatics

Technical data – 5/2-way valves



| Ordering data | | | | |
|--|--|---------|----------|---------------------|
| Circuit symbol | Description | Voltage | Part No. | Type |
| Mechanical spring return, internal pilot air supply | | | | |
| | Semi in-line valve with thread G1/8 | 24 V DC | 173 127 | MEH-5/2-1/8-B |
| | Semi in-line valve for manifold PRS-ME | | 173 129 | MEH-5/2-1/8-P-B |
| | Sub-base valve | | 173 128 | MEH-5/2-5,0-B |
| Mechanical spring return, external pilot air supply | | | | |
| | Semi in-line valve with thread G1/8 | 24 V DC | 173 130 | MEH-5/2-1/8-S-B |
| | Semi in-line valve for manifold PRS-ME | | 173 132 | MEH-5/2-1/8-P-S-B |
| | Sub-base valve | | 173 131 | MEH-5/2-5,0-S-B |
| Pneumatic spring return, internal pilot air supply | | | | |
| | Semi in-line valve with thread G1/8 | 24 V DC | 173 133 | MEH-5/2-1/8-L-B |
| | Semi in-line valve for manifold PRS-ME | | 173 135 | MEH-5/2-1/8-P-L-B |
| | Sub-base valve | | 173 134 | MEH-5/2-5,0-L-B |
| Pneumatic spring return, external pilot air supply | | | | |
| | Semi in-line valve with thread G1/8 | 24 V DC | 173 136 | MEH-5/2-1/8-L-S-B |
| | Semi in-line valve for manifold PRS-ME | | 173 138 | MEH-5/2-1/8-P-L-S-B |
| | Sub-base valve | | 173 137 | MEH-5/2-5,0-L-S-B |

Solenoid valves MEH, midi pneumatics

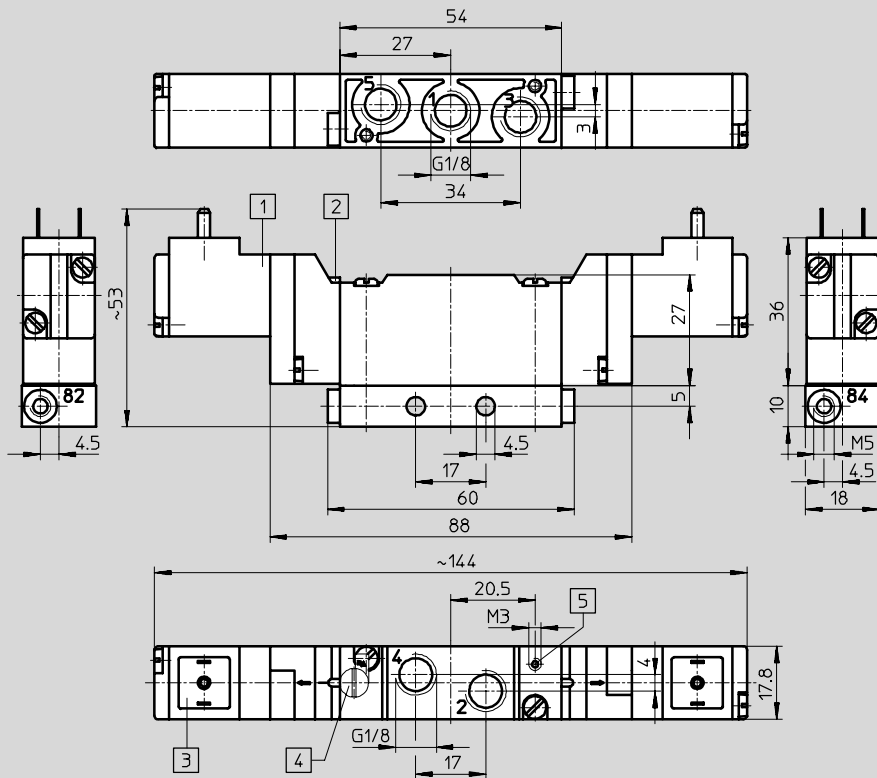
Technical data – 5/2-way valves, double solenoid



Dimensions

Download CAD data → www.festo.com/en/engineering

Semi in-line valve with thread G1/8

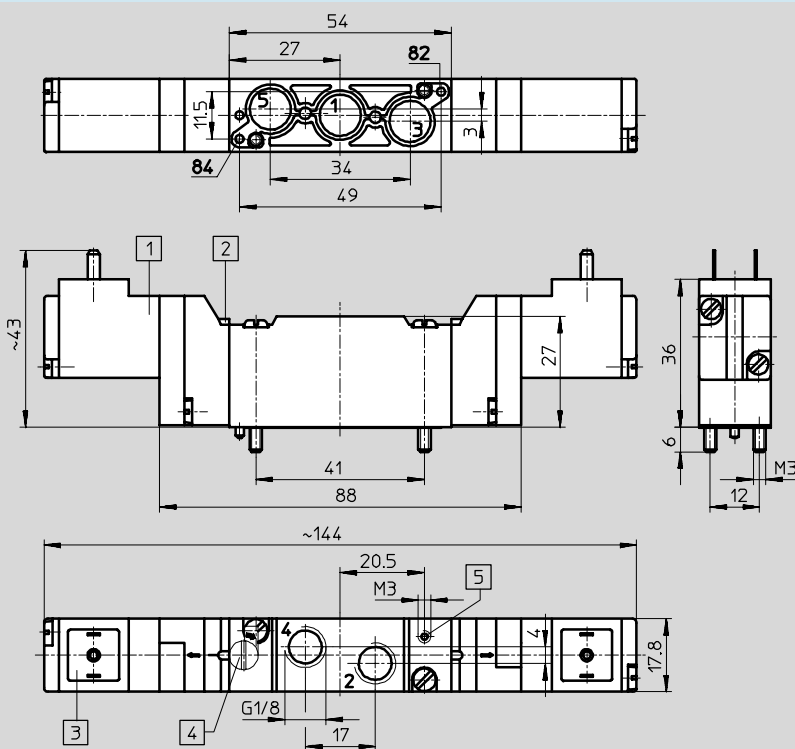


- 1 Solenoid coil can be rotated 180°¹⁾
 - 2 Manual override
 - 3 Suitable for terminal sockets to DIN 46 247 or plug sockets MSSD-E type KME type
 - 4 Manual override tool (accessory) AHB-ME-1/8
 - 5 Port for external pilot air on S types
- 1) The seal must not be turned!

Directional control valves for standard applications
Midi Pneumatic

2.4

Semi in-line valve for manifold PRS-ME



- 1 Solenoid coil can be rotated 180°¹⁾
 - 2 Manual override
 - 3 Suitable for terminal sockets to DIN 46 247 or plug sockets MSSD-E type KME type
 - 4 Manual override tool (accessory) AHB-ME-1/8
 - 5 Port for external pilot air on S types
- 1) The seal must not be turned!

Solenoid valves MEH, midi pneumatics

Technical data – 5/2-way valves, double solenoid



Dimensions Download CAD data → www.festo.com/en/engineering

Sub-base valve

Technical drawings of a sub-base valve showing top, side, and front views with dimensions and callouts 1-5.

- 1) Solenoid coil can be rotated 180°¹⁾
- 2) Manual override
- 3) Suitable for terminal sockets to DIN 46 247 or plug sockets MSSD-E type KME type
- 4) Manual override tool (accessory) AHB-ME-1/8
- 5) Port for external pilot air on S types

1) The seal must not be turned!

| Ordering data | | | | |
|----------------------------------|--|---------|----------|--------------------|
| Circuit symbol | Description | Voltage | Part No. | Type |
| 5/2-way valves | | | | |
| Internal pilot air supply | | | | |
| | Semi in-line valve with thread G1/8 | 24 V DC | 173 431 | JMEH-5/2-1/8-B |
| | Semi in-line valve for manifold PRS-ME | | 173 433 | JMEH-5/2-1/8-P-B |
| | Sub-base valve | | 173 432 | JMEH-5/2-5,0-B |
| External pilot air supply | | | | |
| | Semi in-line valve with thread G1/8 | 24 V DC | 173 434 | JMEH-5/2-1/8-S-B |
| | Semi in-line valve for manifold PRS-ME | | 173 436 | JMEH-5/2-1/8-P-S-B |
| | Sub-base valve | | 173 435 | JMEH-5/2-5,0-S-B |

Directional control valves for standard applications
Midi Pneumatic

2.4

Solenoid valves MEH, midi pneumatics

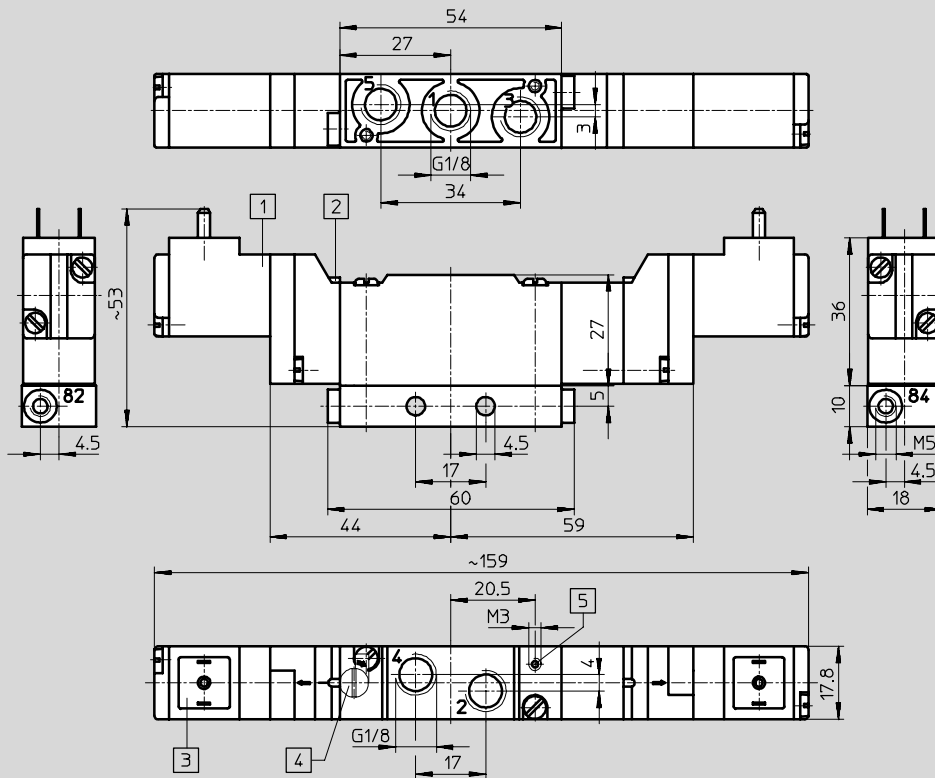
Technical data – 5/3-way valves



Dimensions

Download CAD data → www.festo.com/en/engineering

Semi in-line valve with thread G1/8

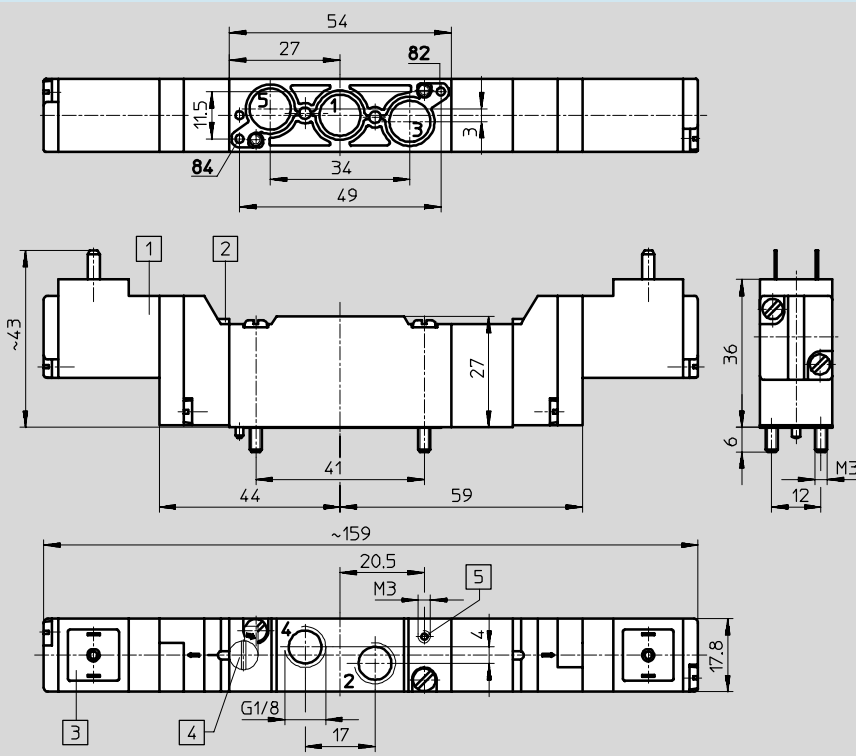


- 1) Solenoid coil can be rotated 180°¹⁾
 - 2) Manual override
 - 3) Suitable for terminal sockets to DIN 46 247 or plug sockets MSSD-E type KME type
 - 4) Manual override tool (accessory) AHB-ME-1/8
 - 5) Port for external pilot air on S types
- 1) The seal must not be turned!

Directional control valves for standard applications
Midi Pneumatic

2.4

Semi in-line valve for manifold PRS-ME



- 1) Solenoid coil can be rotated 180°¹⁾
 - 2) Manual override
 - 3) Suitable for terminal sockets to DIN 46 247 or plug sockets MSSD-E type KME type
 - 4) Manual override tool (accessory) AHB-ME-1/8
 - 5) Port for external pilot air on S types
- 1) The seal must not be turned!

Solenoid valves MEH, midi pneumatics

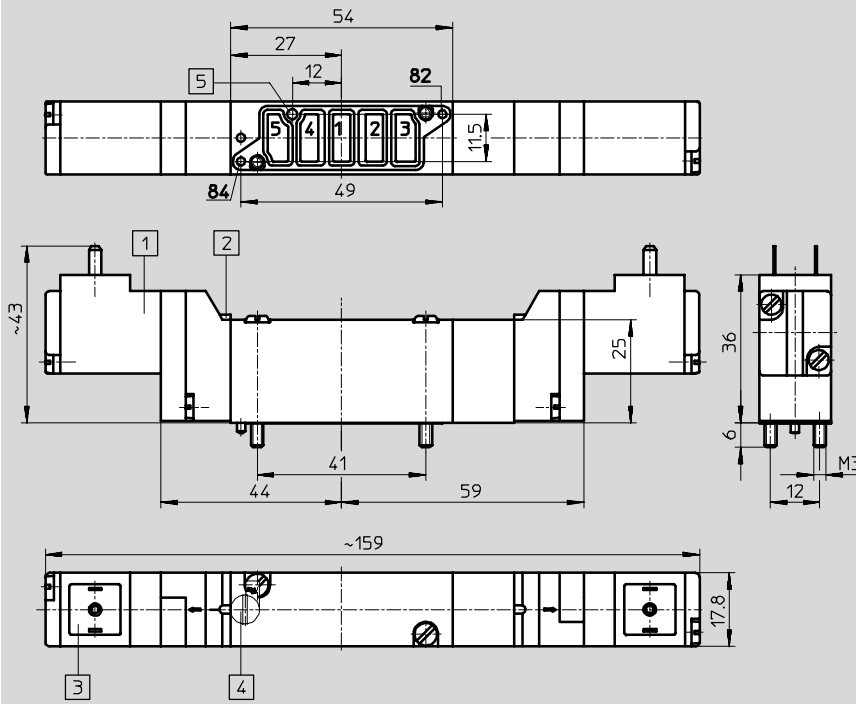
Technical data – 5/3-way valves



Dimensions

Download CAD data → www.festo.com/en/engineering

Sub-base valve



- 1 Solenoid coil can be rotated 180°¹⁾
 - 2 Manual override
 - 3 Suitable for terminal sockets to DIN 46 247 or plug sockets MSSD-E type KME type
 - 4 Manual override tool (accessory) AHB-ME-1/8
 - 5 Port for external pilot air on S types
- 1) The seal must not be turned!

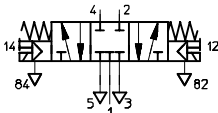
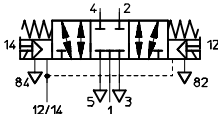
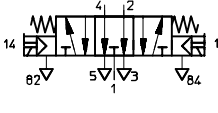

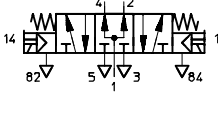
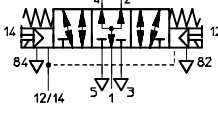
Solenoid valves MEH, midi pneumatics

Technical data – 5/3-way valves



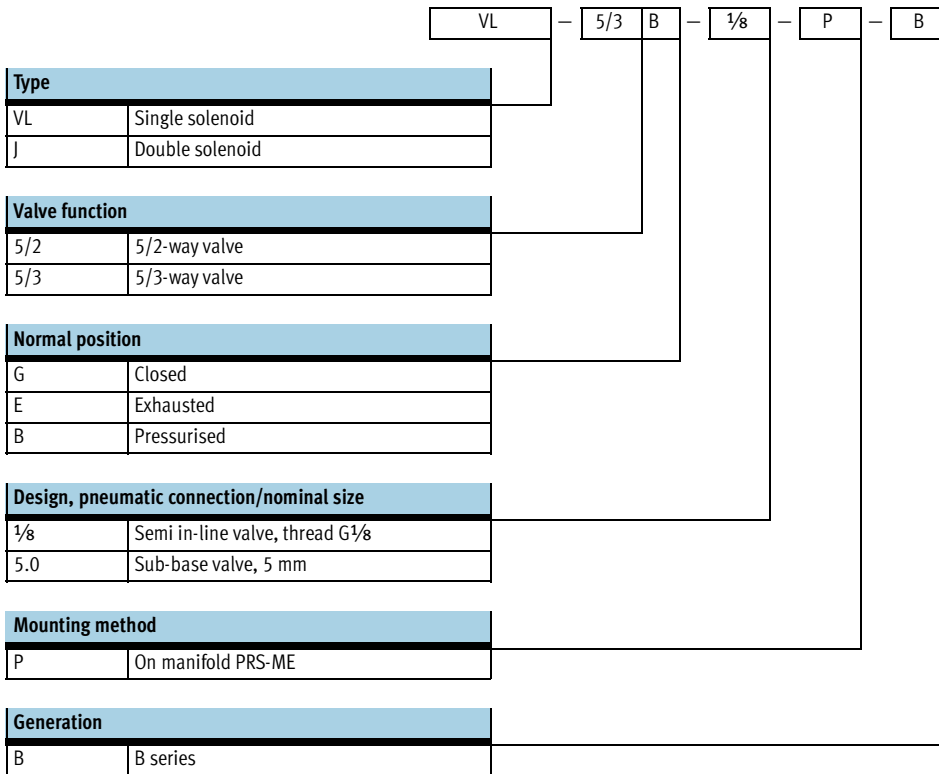
Directional control valves for standard applications
Midi Pneumatic

2.4

| Ordering data | | | | |
|---|--|---------|----------|--------------------|
| Circuit symbol | Description | Voltage | Part No. | Type |
| Normally closed, internal pilot air supply | | | | |
|  | Semi in-line valve with thread G1/8 | 24 V DC | 173 139 | MEH-5/3G-1/8-B |
| | Semi in-line valve for manifold PRS-ME | | 173 141 | MEH-5/3G-1/8-P-B |
| | Sub-base valve | | 173 140 | MEH-5/3G-5,0-B |
| Normally closed, external pilot air supply | | | | |
|  | Semi in-line valve with thread G1/8 | 24 V DC | 173 142 | MEH-5/3G-1/8-S-B |
| | Semi in-line valve for manifold PRS-ME | | 173 144 | MEH-5/3G-1/8-P-S-B |
| | Sub-base valve | | 173 143 | MEH-5/3G-5,0-S-B |
| Normally exhausted, internal pilot air supply | | | | |
|  | Semi in-line valve with thread G1/8 | 24 V DC | 173 145 | MEH-5/3E-1/8-B |
| | Semi in-line valve for manifold PRS-ME | | 173 147 | MEH-5/3E-1/8-P-B |
| | Sub-base valve | | 173 146 | MEH-5/3E-5,0-B |
| Normally exhausted, external pilot air supply | | | | |
|  | Semi in-line valve with thread G1/8 | 24 V DC | 173 148 | MEH-5/3E-1/8-S-B |
| | Semi in-line valve for manifold PRS-ME | | 173 150 | MEH-5/3E-1/8-P-S-B |
| | Sub-base valve | | 173 149 | MEH-5/3E-5,0-S-B |
| Normally pressurised, internal pilot air supply | | | | |
|  | Semi in-line valve with thread G1/8 | 24 V DC | 173 151 | MEH-5/3B-1/8-B |
| | Semi in-line valve for manifold PRS-ME | | 173 153 | MEH-5/3B-1/8-P-B |
| | Sub-base valve | | 173 152 | MEH-5/3B-5,0-B |
| Normally pressurised, external pilot air supply | | | | |
|  | Semi in-line valve with thread G1/8 | 24 V DC | 173 154 | MEH-5/3B-1/8-S-B |
| | Semi in-line valve for manifold PRS-ME | | 173 156 | MEH-5/3B-1/8-P-S-B |
| | Sub-base valve | | 173 155 | MEH-5/3B-5,0-S-B |

Pneumatic valves VL/J, midi pneumatics


Type codes

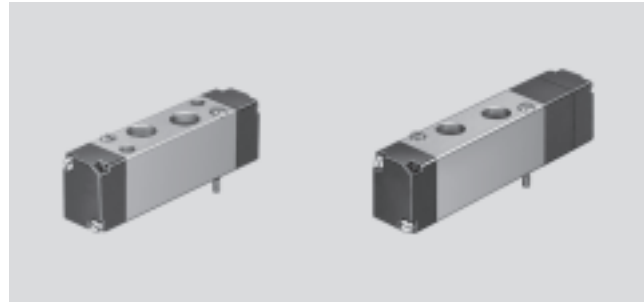


Pneumatic valves VL/J, midi pneumatics

Technical data



-  - Flow rate
300 ... 700 l/min



| General technical data | | | | | | | | | | | |
|----------------------------|---------------|---|-------------|-----------|-----|-----------|-----|-----|-----|-----|-----|
| Type | | VL-5/2-... | J-5/2-... | VL-5/3... | | | | | | | |
| Design | | Piston spool, directly actuated | | | | | | | | | |
| Type of mounting | ...-1/8 | 2 through-holes | | | | | | | | | |
| | ...-5.0 | On sub-base with two M3 screws | | | | | | | | | |
| | ...-1/8-P | On manifold with two M3 screws | | | | | | | | | |
| Pneumatic connection | Working lines | ...-1/8 | G1/8 | | | | | | | | |
| | | ...-5.0 | On sub-base | | | | | | | | |
| | | ...-1/8-P | G1/8 | | | | | | | | |
| | Pilot line | M5 | | | | | | | | | |
| Nominal size | [mm] | 5 | | | | | | | | | |
| Standard nominal flow rate | [l/min] | 1 ↔ 2, 1 ↔ 4 | ...-1/8 | 600 | 650 | G | E | B | | | |
| | | | | | | 500 | 350 | 300 | | | |
| | | | | | | ...-5.0 | 700 | 700 | 600 | 350 | 300 |
| | | | | | | ...-1/8-P | 600 | 650 | 500 | 350 | 300 |
| Materials | | Housing: Aluminium Seals: Nitrile rubber | | | | | | | | | |
| Weight | [g] | ...-1/8 | 75 | 75 | 95 | | | | | | |
| | | ...-5.0 | 65 | 65 | 85 | | | | | | |
| | | ...-1/8-P | 60 | 60 | 80 | | | | | | |

| Operating and environmental conditions | | | | | | |
|--|-------|---|-----------|-----------|--|--|
| Type | | VL-5/2-... | J-5/2-... | VL-5/3... | | |
| Operating medium | | Filtered compressed air, lubricated or unlubricated ¹⁾ Vacuum | | | | |
| Operating pressure range | [bar] | -0.9 ... +10 | | | | |
| Pilot pressure range | [bar] | 2.5 ... 8 | 1.5 ... 8 | 3 ... 8 | | |
| Ambient temperature | [°C] | -5 ... +50 | | | | |
| Temperature of medium | [°C] | -5 ... +50 | | | | |

1) Only oils of viscosity class 32 may be used for lubricated operation.

| Valve response times [ms] | | | |
|---------------------------|------------|-----------|------------|
| Type | VL-5/2-... | J-5/2-... | VL-5/3-... |
| On | 6 | - | 6 |
| Off | 24 | - | 22 |
| Changeover | - | 5 | - |

Pneumatic valves VL/J), midi pneumatics

Technical data – 5/2-way valves

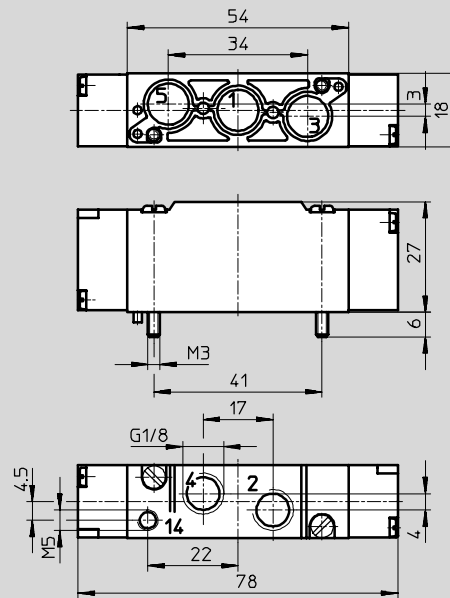
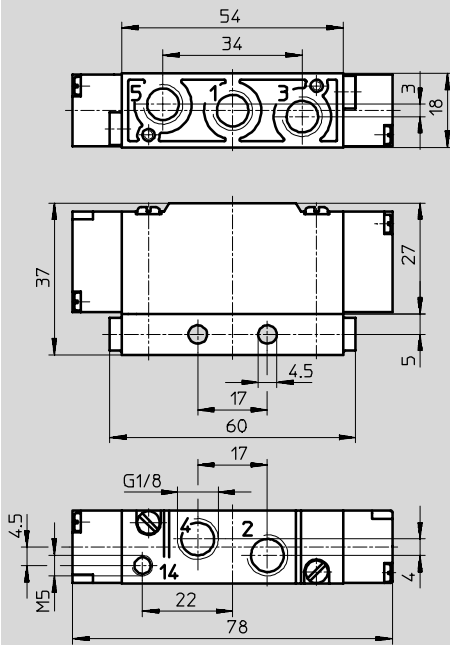


Dimensions

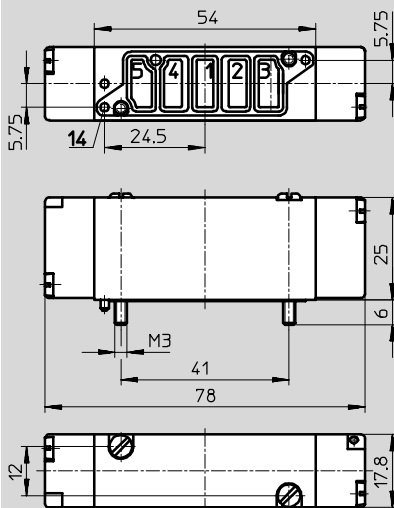
Download CAD data → www.festo.com/en/engineering

Semi in-line valve with thread G1/8

Semi in-line valve for manifold PRS-ME



Sub-base valve



Ordering data

| Circuit symbol | Description | Part No. | Type |
|----------------|--|----------|----------------|
| | Semi in-line valve with thread G1/8 | 173 168 | VL-5/2-1/8-B |
| | Sub-base valve | 173 169 | VL-5/2-5,0-B |
| | Semi in-line valve for manifold PRS-ME | 173 170 | VL-5/2-1/8-P-B |

Directional control valves for standard applications
Midi Pneumatic

2.4

Pneumatic valves VL/J, midi pneumatics

Technical data – 5/2-way valves, double pilot

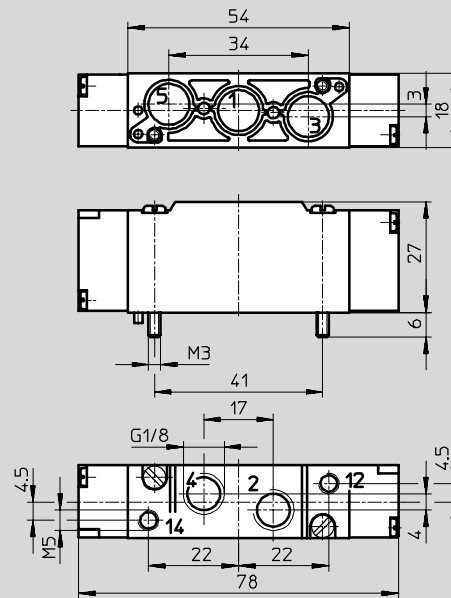
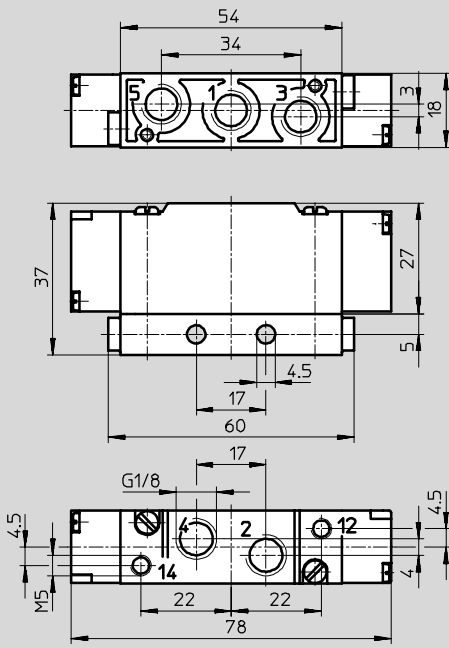


Dimensions

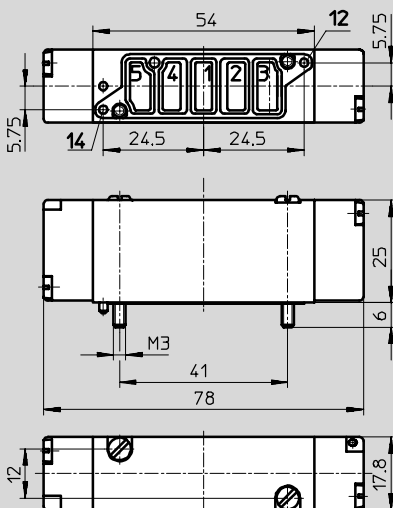
Download CAD data → www.festo.com/en/engineering

Semi in-line valve with thread G $\frac{1}{8}$

Semi in-line valve for manifold PRS-ME



Sub-base valve



Directional control valves for standard applications
Midi Pneumatic

2.4

Ordering data

| Circuit symbol | Description | Part No. | Type |
|----------------|--|----------|---------------------------|
| | Semi in-line valve with thread G $\frac{1}{8}$ | 173 171 | J-5/2- $\frac{1}{8}$ -B |
| | Sub-base valve | 173 172 | J-5/2-5,0-B |
| | Semi in-line valve for manifold PRS-ME | 173 173 | J-5/2- $\frac{1}{8}$ -P-B |

Pneumatic valves VL/J, midi pneumatics

Technical data – 5/3-way valves

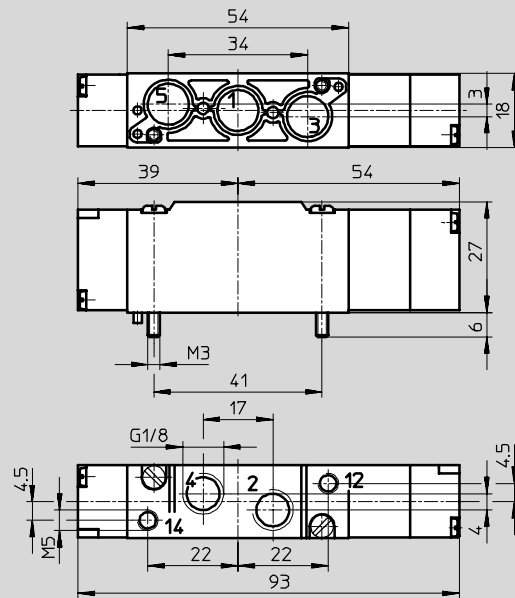
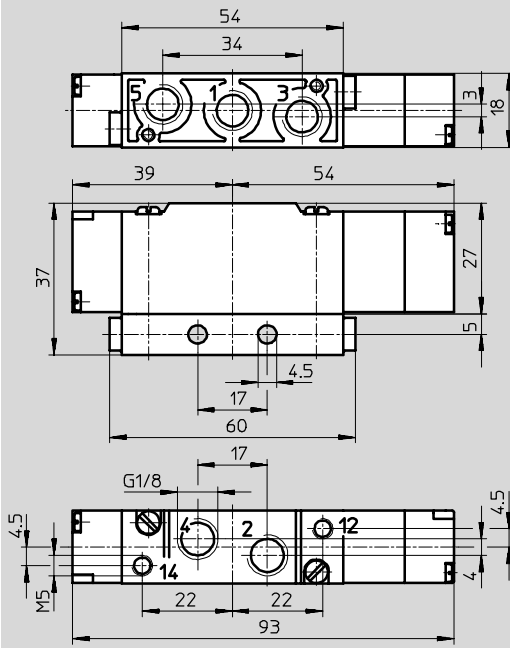


Dimensions

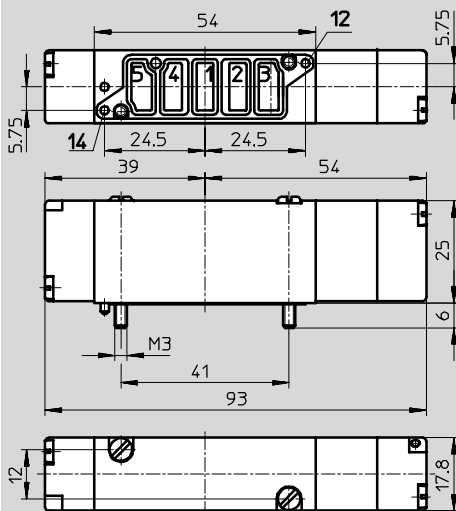
Download CAD data → www.festo.com/en/engineering

Semi in-line valve with thread G1/8

Semi in-line valve for manifold PRS-ME



Sub-base valve



Directional control valves for standard applications
Midi Pneumatic

2.4

Pneumatic valves VL/J, midi pneumatics

Technical data – 5/3-way valves



| Ordering data | | | |
|-----------------------------|--|----------------|---|
| Circuit symbol | Description | Part No. | Type |
| Normally closed | | | |
| | Semi in-line valve with thread G $\frac{1}{8}$ | 173 174 | VL-5/3G-$\frac{1}{8}$-B |
| | Sub-base valve | 173 175 | VL-5/3G-5,0-B |
| | Semi in-line valve for manifold PRS-ME | 173 176 | VL-5/3G-$\frac{1}{8}$-P-B |
| Normally exhausted | | | |
| | Semi in-line valve with thread G $\frac{1}{8}$ | 173 177 | VL-5/3E-$\frac{1}{8}$-B |
| | Sub-base valve | 173 178 | VL-5/3E-5,0-B |
| | Semi in-line valve for manifold PRS-ME | 173 179 | VL-5/3E-$\frac{1}{8}$-P-B |
| Normally pressurised | | | |
| | Semi in-line valve with thread G $\frac{1}{8}$ | 173 180 | VL-5/3B-$\frac{1}{8}$-B |
| | Sub-base valve | 173 181 | VL-5/3B-5,0-B |
| | Semi in-line valve for manifold PRS-ME | 173 182 | VL-5/3B-$\frac{1}{8}$-P-B |

Directional control valves for standard applications
Midi Pneumatic

Solenoid/pneumatic valves, midi pneumatics



Accessories

Individual sub-bases
AS, AU

Material:
Die-cast aluminium

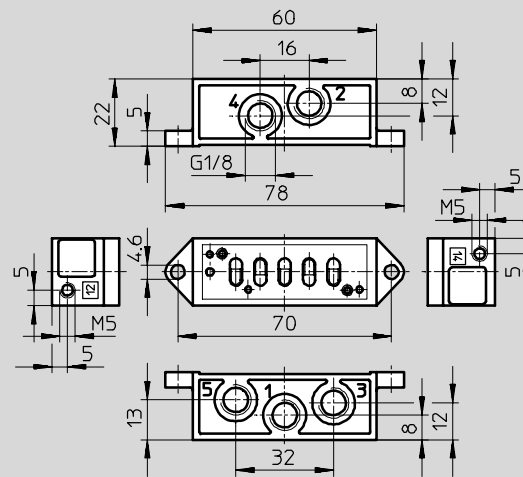
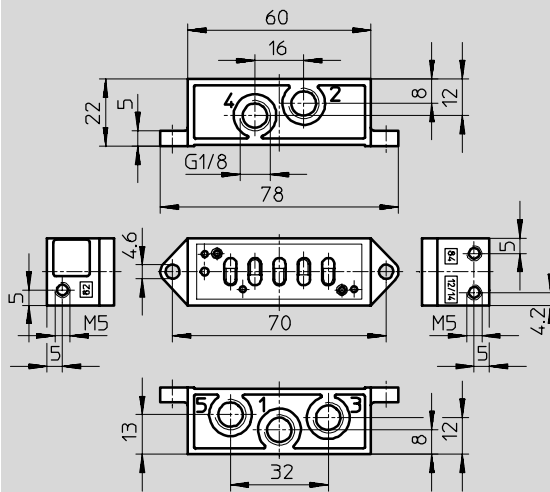


Dimensions – Individual sub-bases

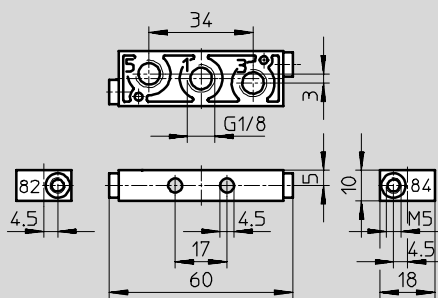
Download CAD data → www.festo.com/en/engineering

AS-ME-1/8

AS-VL-1/8



AU-ME-1/8



Ordering data

| Brief description | | Pneumatic connection | | Weight [g] | Part No. | Type |
|---------------------------|-----------------------|----------------------|--------|------------|----------|-----------|
| | | 1, 2, 3, 4, 5 | 82, 84 | | | |
| For solenoid valves | Connection at side | G1/8 | M5 | 50 | 33 405 | AS-ME-1/8 |
| For pneumatic valves | | | | 50 | 152 803 | AS-VL-1/8 |
| For valves type ...-1/8-P | Connection underneath | | | 15 | 32 797 | AU-ME-1/8 |

Directional control valves for standard applications
Midi Pneumatic

2.4

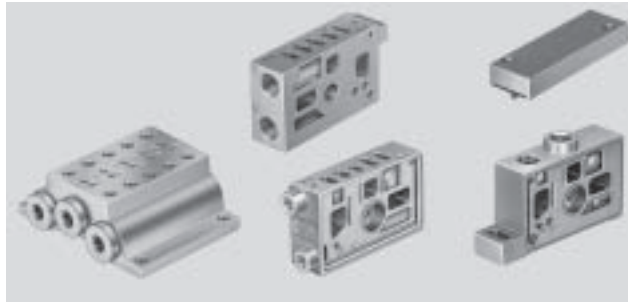
Solenoid/pneumatic valves, midi pneumatics

Accessories

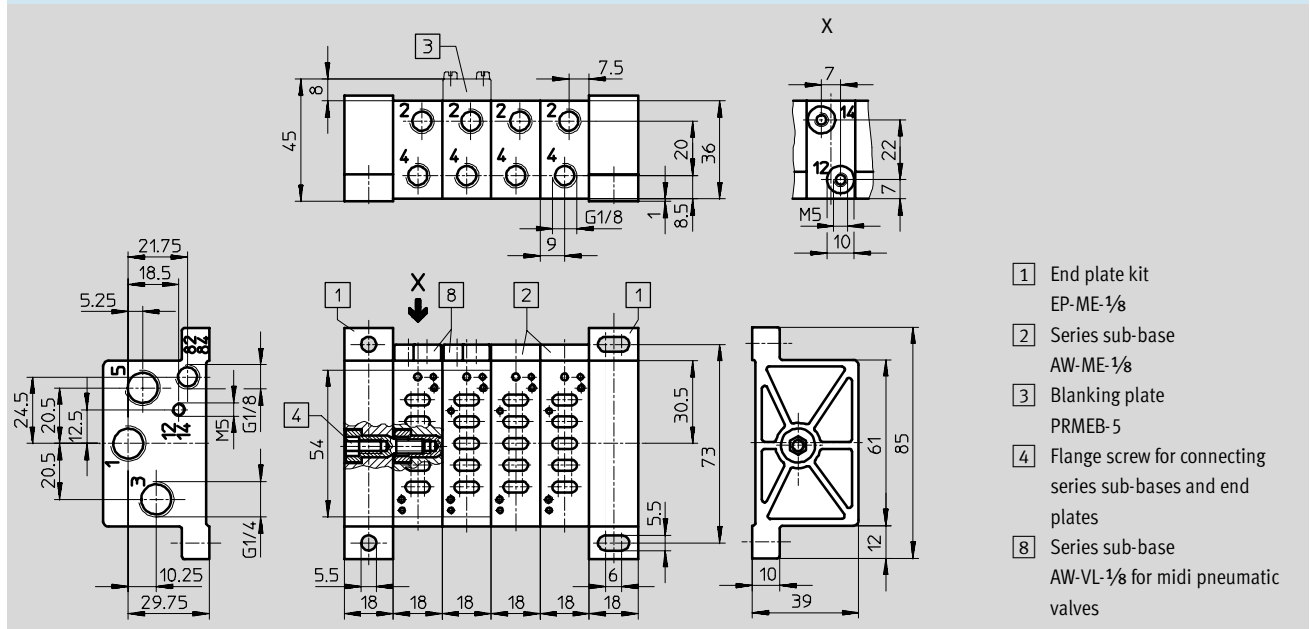


Series sub-bases
AW, EP, ZP

Material:
Die-cast aluminium



Dimensions Download CAD data → www.festo.com/en/engineering



| Ordering data | | | | | |
|------------------------------------|---|--|------------|----------|-------------|
| Designation | Brief description | Scope of delivery | Weight [g] | Part No. | Type |
| Series sub-base | For solenoid valves | 1 sub-base, seals and fastening screws | 75 | 33 406 | AW-ME-1/8 |
| | For pneumatic valves | | | | AW-VL-1/8 |
| Blanking plate for spare positions | - | - | - | 31 798 | PRMEB-5 |
| End plate kit | - | 2 end plates, seals and fastening screws | 160 | 33 407 | EP-ME-1/8 |
| Intermediate plate | With additional P connection | - | 95 | 152 592 | ZP-ME-1/8-P |
| | With separate P connection to form pressure zones | | | | ZP-ME-1/8-Z |

Solenoid/pneumatic valves, midi pneumatics

Accessories



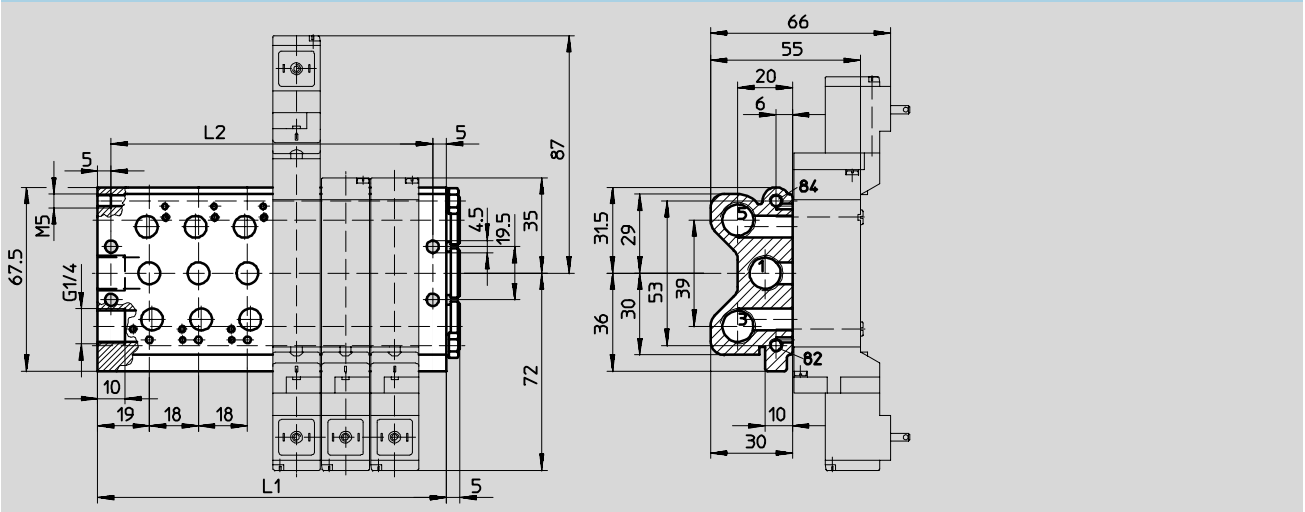
Manifold PRS-ME

Material:
Die-cast aluminium



Dimensions

Download CAD data → www.festo.com/en/engineering



| Number of valve positions | L1 | L2 |
|---------------------------|----|----|
| 2 | 56 | 46 |
| 3 | 74 | 64 |
| 4 | 92 | 82 |

| Number of valve positions | L1 | L2 |
|---------------------------|-----|-----|
| 5 | 110 | 100 |
| 6 | 128 | 118 |
| 7 | 146 | 136 |

| Number of valve positions | L1 | L2 |
|---------------------------|-----|-----|
| 8 | 164 | 154 |
| 9 | 182 | 172 |
| 10 | 200 | 190 |

| Ordering data – Manifold block | | | | | | |
|--------------------------------|---------------|--------|---------------------------|------------|----------|---------------|
| Pneumatic connection | | | Number of valve positions | Weight [g] | Part No. | Type |
| 1, 3, 5 | 2, 4 | 82, 84 | | | | |
| G1/4 | G1/8 on valve | M5 | 2 | 200 | 33 408 | PRS-ME-1/8-2 |
| | | | 4 | 300 | 33 409 | PRS-ME-1/8-4 |
| | | | 6 | 430 | 33 410 | PRS-ME-1/8-6 |
| | | | 8 | 540 | 33 411 | PRS-ME-1/8-8 |
| | | | 10 | 680 | 33 412 | PRS-ME-1/8-10 |

| Ordering data – Blanking plate | | |
|------------------------------------|----------|-------------|
| Brief description | Part No. | Type |
| Blanking plate for spare positions | 31 799 | PRSB-ME-1/8 |

- - Note

For combined assembly of series sub-bases

AW-ME-1/8 and AW-VL-1/8, the following assembly sequence must be observed:

| | |
|---|--|
| 1. End plate with air supply | 3. Series sub-bases for pneumatic valves |
| 2. Series sub-bases for solenoid valves | 4. End plate with flange screw |



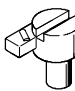
Solenoid/pneumatic valves, midi pneumatics



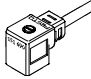
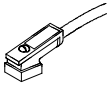

Accessories

FESTO

Directional control valves for standard applications
Midi Pneumatic

2.4

| Ordering data | | | |
|---|---------------------------------|----------------|----------------------------|
| | Brief description | Part No. | Type |
| Push-in/threaded fittings QS | | | |
|  | – | → | Volume 3 |
| Silencers | | | |
|  | – | → | Volume 3 |
| Manual override tool, detenting | | | Technical data → 2 / 7.6-1 |
|  | For midi valves MEH, MOEH, JMEH | 152 797 | AHB-ME-1/8 |

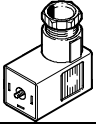
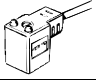

| Ordering data – Plug sockets, plug sockets with cable, illuminating seal for EB solenoid coils | | | | | |
|--|----------------|------------------|-----------------------------------|----------------|-----------------------------|
| | Voltage | Cable length [m] | Switching status display with LED | Part No. | Type |
| Plug socket without cable | | | | | Technical data → 2 / 7.2-10 |
|  | – | – | – | 151 687 | MSSD-EB |
| Plug socket without cable with insulation displacement technology | | | | | Technical data → 2 / 7.2-10 |
|  | – | – | – | 192 745 | MSSD-EB-S-M14 |
| PVC plug socket with cable | | | | | Technical data → 2 / 7.3-21 |
|  | 24 V DC | 2.5 | ■ | 151 688 | KMEB-1-24-2,5-LED |
| | 24 V DC | 5 | ■ | 151 689 | KMEB-1-24-5-LED |
| | 24 V DC | 10 | ■ | 193 457 | KMEB-1-24-10-LED |
| | Up to 240 V | 2.5 | – | 151 690 | KMEB-1-230AC-2,5 |
| | Up to 240 V | 5 | – | 151 691 | KMEB-1-230AC-5 |
| PUR plug socket with cable | | | | | Technical data → 2 / 7.3-21 |
|  | 24 V DC | 2.5 | ■ | 174 844 | KMEB-2-24-2,5-LED |
| | 24 V DC | 5 | ■ | 174 845 | KMEB-2-24-5-LED |
| | Up to 240 V | 2.5 | – | 174 846 | KMEB-2-230AC-2,5 |
| | Up to 240 V | 5 | – | 174 847 | KMEB-2-230AC-5 |
| Illuminating seal | | | | | Technical data → 2 / 7.4-1 |
|  | 12 ... 24 V DC | – | – | 151 717 | MEB-LD-12-24DC |
| | 230 V AC | – | – | 151 718 | MEB-LD-230AC |

 Core Range

Solenoid/pneumatic valves, midi pneumatics

Accessories



| Ordering data – Plug sockets, plug sockets with cable, illuminating seal for E solenoid coils | | | | | |
|---|---------|------------------|-----------------------------------|----------------|-----------------------------|
| | Voltage | Cable length [m] | Switching status display with LED | Part No. | Type |
| Plug socket without cable | | | | | Technical data → 2 / 7.2-10 |
|  | – | – | – | 14 098 | MSSD-E |
| Plug socket with cable | | | | | Technical data → 2 / 7.3-21 |
|  | 24 V DC | 2.5 | ■ | 30 943 | KME-1-24DC-2,5-LED |
| | | 5 | ■ | 30 945 | KME-1-24DC-5-LED |
| | | 10 | ■ | 193 455 | KME-1-24DC-10-LED |
| Illuminating seal | | | | | Technical data → 2 / 7.4-1 |
|  | 24 V DC | – | – | 19 141 | ME-LD-12-24DC |

Directional control valves for standard applications
Midi Pneumatic

2.4