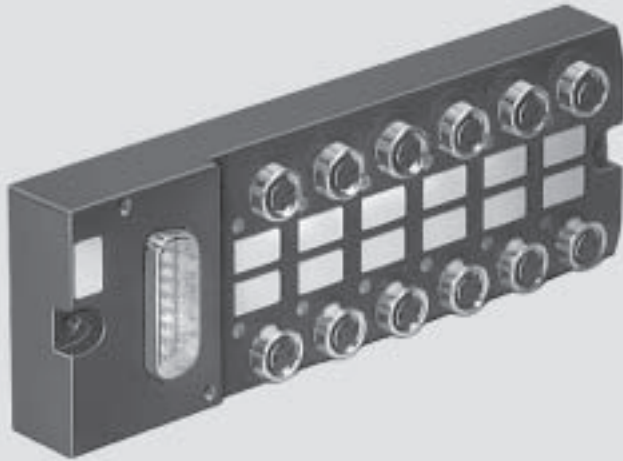


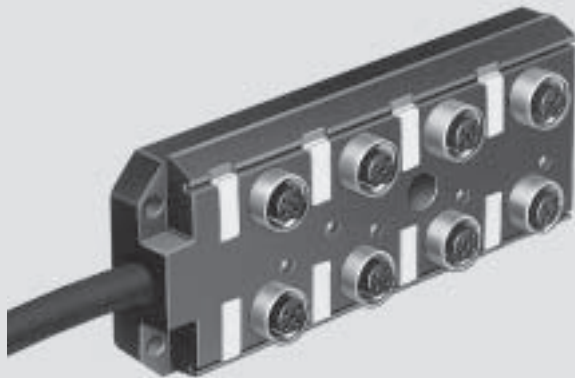
# Multi-pin distributors MPV

Key features

FESTO



MPV-E/A...-M8



MPV-E/A08-M12

Valve accessories  
Multi-pin plug distributors

7.5

## Function

MPV multi-pin distributors are suitable for the distribution of input and output signals to sensors and valves via the M8/M12 plugs.

- LED for signal status display
- Only one cable per installation location
- A broad range of accessories

## Type MPV-E/A...-M8

The multi-pin distributor facilitates the connection of max. 8 or 12 input signals to 3-pin M8x1 plugs.

## Type MPV-E/A08-M12

Connection of max. 8 input signals to 5-pin M12 plugs. The connecting cable is permanently attached to the multi-pin distributor. Switching status display via yellow LED. Sensor voltage display via green LED.

Detailed description and ordering data → Volume 4