

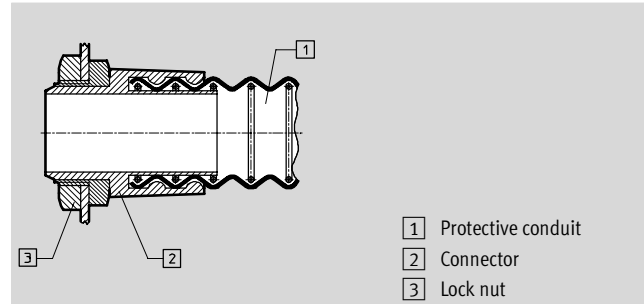
# Protective conduits

Technical data



## Protective conduit MKV-PG for plastic tubing

Material:  
Polyvinyl chloride, spring steel  
For protecting pneumatic tubing and electrical cables.  
Flexible, stretchable and compressible, water-tight and highly resistant to oil and acids.

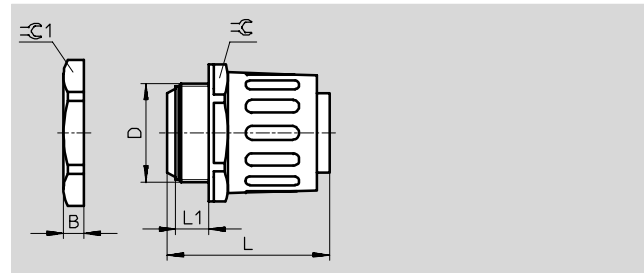


Ordering data							
For multi-plug	Max. number of 4 mm tubes	I.D. x O.D. [mm]	Max. bending radius +10% [mm]	Weight [g]	Part No.	Type	PU* [m]
-	3	15x19	19	215	7 404	MKV-PG-13,5	50
KSV-5	5	21x27	27	300	7 549	MKV-PG-21	50
KSV-8	8	29x36	36	470	7 550	MKV-PG-29	25
KSV-16-B	16	38x45	45	680	7 147	MKV-PG-36	25
KSV-32-B	32	48x56	56	1 075	7 148	MKV-PG-48	25

\* Packaging unit

## Protective conduit fitting MKVV Lock nut MKVM for plastic tubing

Material:  
Plastic



Dimensions					
Connection D	B	L	L1	Ø	Ø 1
Pg 13.5	5.4	42	10	24	27
Pg 21	7	58	11	35	36
Pg 29	7.5	59	12	45	46
Pg 36	8.5	62.5	12	54	60
Pg 48	8.5	68	15	65	70

Ordering data – Protective conduit fitting			
For protective conduit	Weight [g]	Part No.	Type
Pg 13.5	7	19 113	MKVV-PG-13,5-B
Pg 21	27	19 114	MKVV-PG-21-B
Pg 29	50	19 115	MKVV-PG-29-B
Pg 36	21	19 116	MKVV-PG-36-B
Pg 48	35	19 117	MKVV-PG-48-B

Ordering data – Lock nut			
For protective conduit	Weight [g]	Part No.	Type
Pg 13.5	1	7 411	MKVM-PG-13,5
Pg 21	4	9 691	MKVM-PG-21
Pg 29	6	9 692	MKVM-PG-29
Pg 36	12	7 413	MKVM-PG-36
Pg 48	13	7 414	MKVM-PG-48

- - Note  
Protective conduit MKV can be combined with multi-plug KSV.  
→ 3 / 5.9-2

- - Note  
Additional protective conduits for installation components for handling and assembly technology.  
→ Volume 5