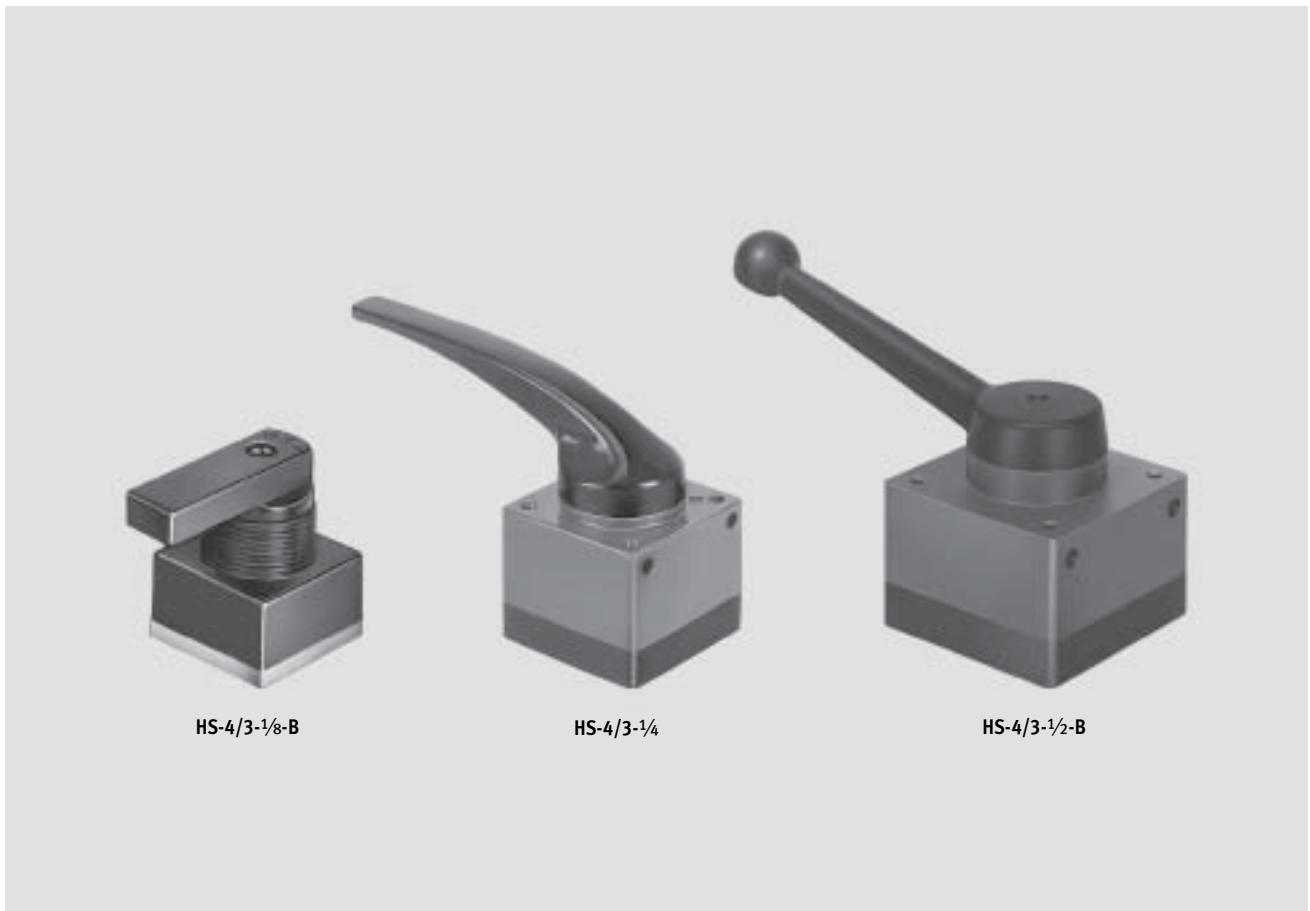


Hand lever valves HS/HSO

Key features


FESTO



HS-4/3-1/8-B

HS-4/3-1/4

HS-4/3-1/2-B

 Flow rate
130 ... 3 500 l/min

■ 4/3-way valve
mid-position closed
mid-position exhausted

■ Connections: M5, G $\frac{1}{8}$, G $\frac{1}{4}$, G $\frac{1}{2}$

■ 3/3-way valve
The hand lever valve HS can be used as a 3/3-way valve by sealing port 2.

With these valves it is possible to stop single acting cylinders (3/3-way valve) or double acting cylinders (4/3-way valve) within the stroke range.

If the hand lever valve is used, the

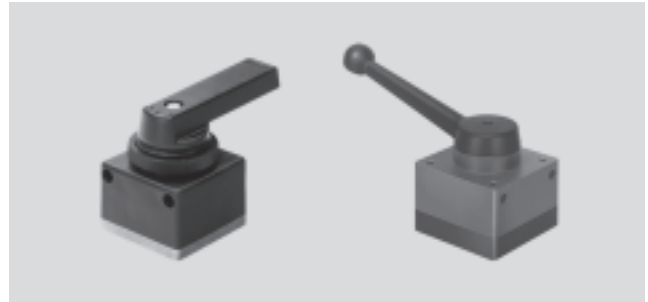
cylinder piston is held in its neutral position by applying pressure at both sides, whereas if type HSO is used, the piston can be moved without pressure.

Hand lever valves HS/HSO

Technical data



- Flow rate
130 ... 3,500 l/min
- Pressure
-0.95 ... +10 bar
- Temperature range
-10 ... +80°C

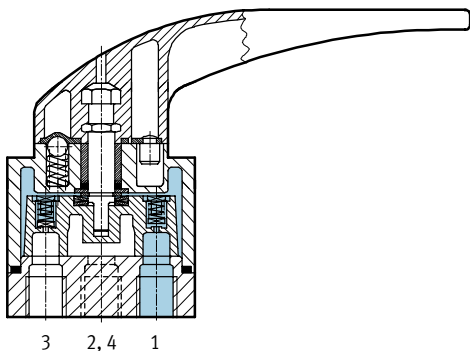


General technical data				
Pneumatic connection	M5	G1/8	G1/4	G1/2
Operating medium	Filtered compressed air, lubricated or unlubricated Vacuum ¹⁾			
Constructional design	Flat slide valve			
Type of mounting	Front panel mounting	Front panel mounting, mounting holes	Front panel mounting	
Nominal size [mm]	3.6	6	8	12
Standard nominal flow rate 1 → 4 [l/min]	130	700	1,200	3,500
Operating pressure range [bar]	-0.95 ... +10 bar			
Actuating force at 6 bar [N]	-	-	12	26
Actuating torque at 6 bar [Nm]	0.3	1	-	-
Temperature range [°C]	-20 ... +80			
Materials	Housing	Aluminium die-cast, polymer material		
	Seals	Nitrile rubber		
Weight [g]	35	120	390	1,350

1) M5: vacuum at ports 1 and 3
G1/8: vacuum at port 3
G1/4: vacuum at ports 1 and 3
G1/2: vacuum at port 3

Manually and mechanically actuated valves
Hand lever valves

HS...-...1/4

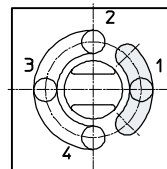
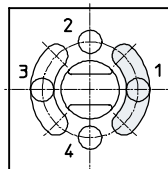


- 1 = Supply port
- 4, 2 = Working or outlet lines
- 3 = Exhaust

Connections underneath

HS

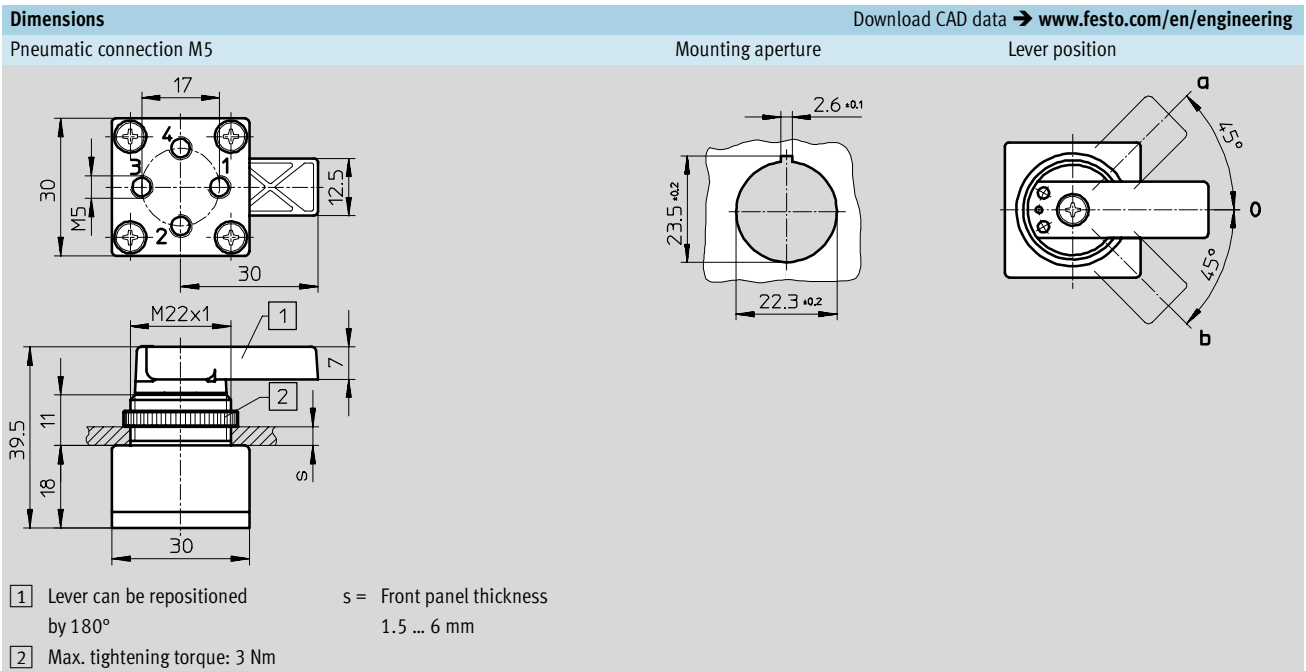
HSO



Hand lever valves HS/HSO

Technical data

FESTO



Hand lever valves HS/HSO

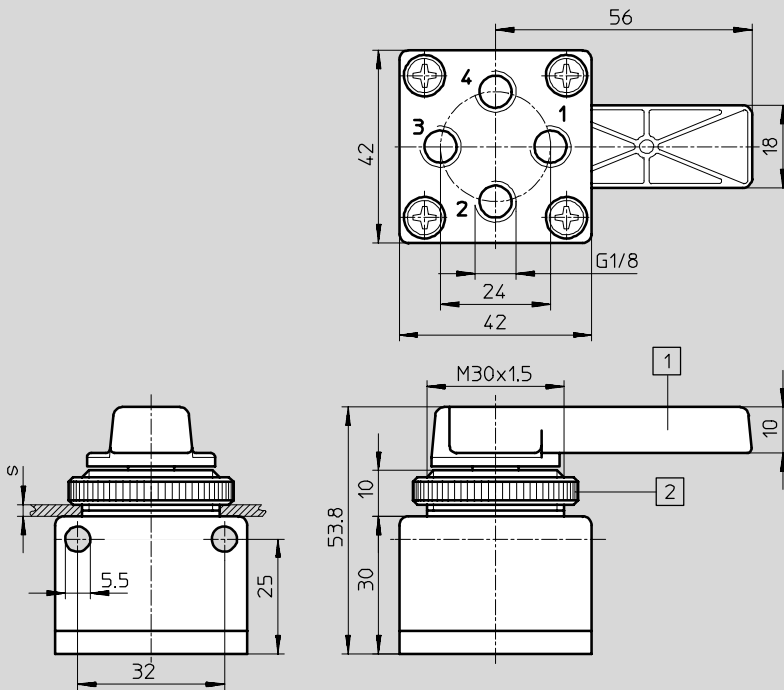
Technical data

FESTO

Dimensions

Download CAD data → www.festo.com/en/engineering

Pneumatic connection G1/8

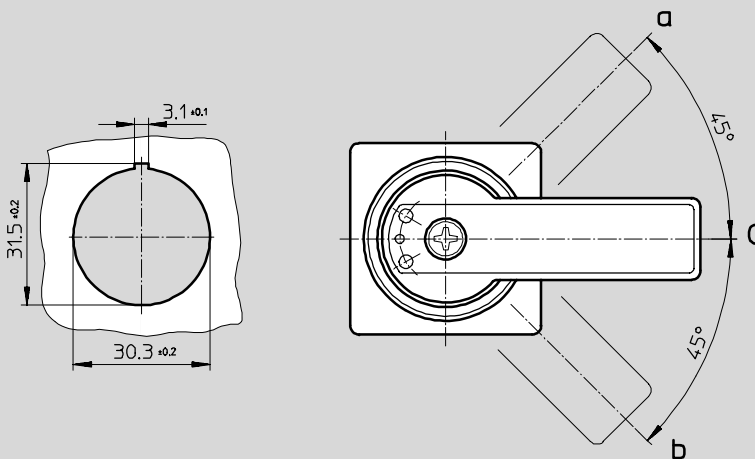


- 1 Lever can be repositioned by 180°
- 2 Max. tightening torque: 3 Nm

s = Front panel thickness
2 ... 5 mm

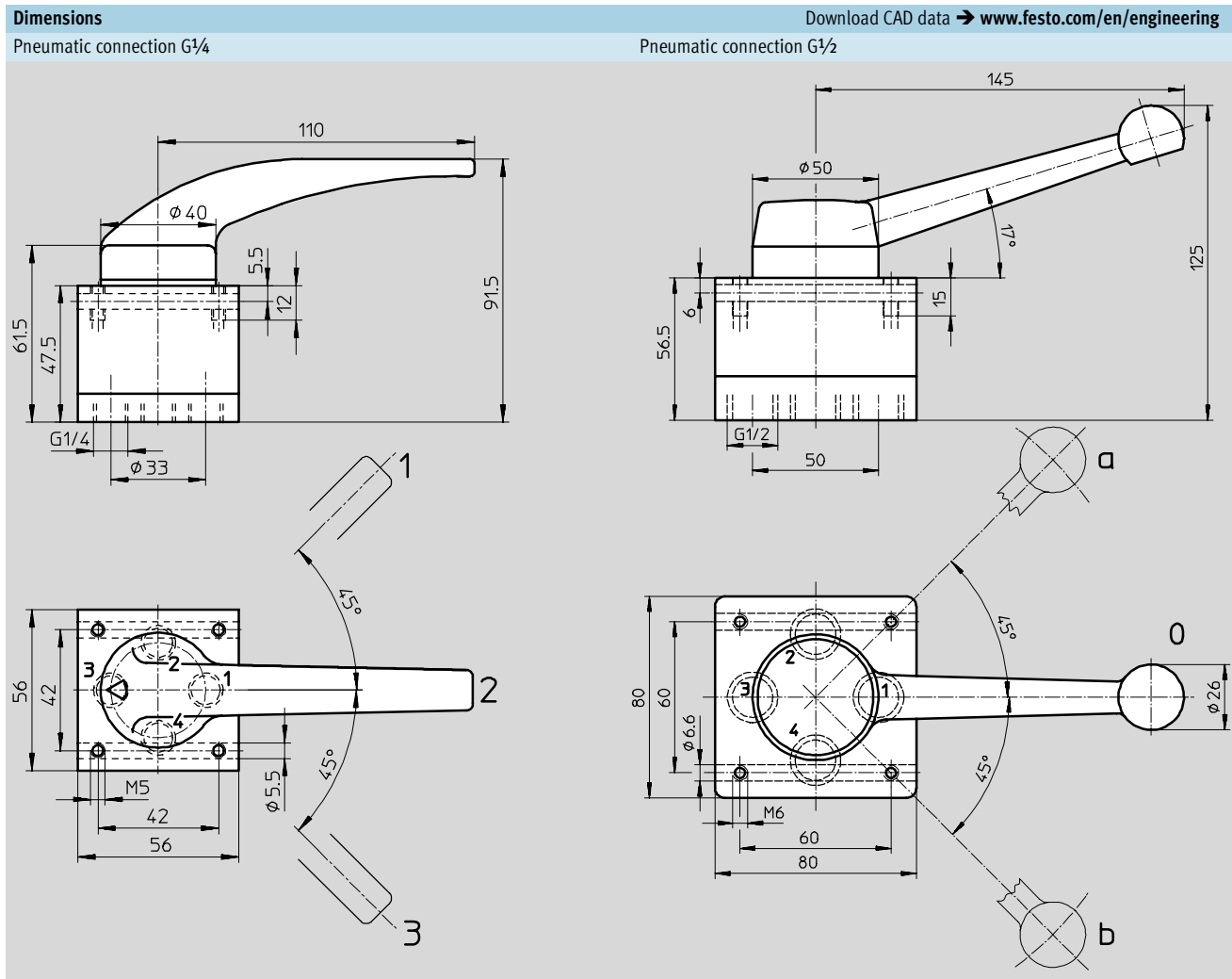
Mounting aperture

Lever position



Hand lever valves HS/HSO

Technical data



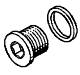


Ordering data				
Circuit symbol	Description	Pneumatic connection	Part No.	Type
4/3-way valve ¹⁾				
	Mid-position closed	M5	34 639	HS-4/3-M5
		G1/8	151 842	HS-4/3-1/8-B
		G1/4	9 339	HS-4/3-1/4
		G1/2	9 784	HS-4/3-1/2-B
	Mid-position exhausted	M5	34 539	HSO-4/3-M5
		G1/8	151 843	HSO-4/3-1/8-B
		G1/4	9 340	HSO-4/3-1/4
		G1/2	9 785	HSO-4/3-1/2-B

1) The hand lever valve HS can be used as a 3/3-way valve by sealing port 2, blanking plugs → 2 / 4.6-6

Hand lever valves HS/HSO

Accessories

FESTO

Ordering data				
	Description	Pneumatic connection	Part No.	Type
Blanking plugs				
	For sealing connections	M5	3 843	B-M5¹⁾
		G1/8	3 568	B-1/8¹⁾
		G1/4	3 569	B-1/4¹⁾
		G1/2	3 571	B-1/2¹⁾
Silencer				
	For fitting in exhaust ports	–	→ Volume 3	
Push-in/threaded fittings QS				
	For connecting compressed air tubing with standard external diameters	–	→ Volume 3	

1) Scope of delivery 10 pieces