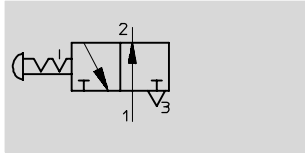


Shut-off valve HE-LO, to safety standard

Technical data



Function



- - Flow rate
5,200 ... 12,000 l/min
- - Temperature range
-10 ... +60 °C
- - Operating pressure
1 ... 10 bar



Note

The shut-off valve may not be used as an emergency stop valve.

For units that require a pneumatic shut-off in order to carry out maintenance or repair work, for example.

The valve is installed into the air supply line and fulfils requirements set forth by OSHA 29 CFR 147, "Controlling Dangerous Energy Sources", issued by the United States Department of Labor.

Function:

The valve is used for shutting off the compressed air supply, while simultaneously exhausting systems which are powered using compressed air. Flow from port 1 to port 2 is blocked when the actuator knob is pressed, and flow from port 2 to port 3 is opened.

The largest exhaust flow rate is achieved by keeping the actuating knob in the actuated position until the connected system is completely exhausted.

The valve can be locked in the closed position using a padlock. This ensures that a decommissioned system (e.g. during maintenance work) cannot be pressurised without authorisation.

General technical data

Type	HE-G $\frac{3}{8}$ -LO	HE-G $\frac{1}{2}$ -LO	HE-G $\frac{3}{4}$ -LO	HE-G1-LO
Design	Manually actuated 3/2-way valve with piston slide			
Type of mounting	Screwed into piping 2 through holes in housing with \varnothing 8 mm for wall mounting			
Mounting position	Any, but make sure there is easy access to the actuating knob			
Connection	1, 2	G $\frac{3}{8}$	G $\frac{1}{2}$	G $\frac{3}{4}$
(Female thread)	3	G1		
Operating pressure	[bar]	1 ... 10		

Standard nominal flow rate¹⁾ qnN [l/min]

Connection	G $\frac{3}{8}$	G $\frac{1}{2}$	G $\frac{3}{4}$	G1
1 \rightarrow 2	5,200	6,200	8,000	10,000
2 \rightarrow 3	12,000			

1) Measured at primary pressure p₁ = 6 bar and Δp = 1 bar.

Ambient conditions

Ambient temperature	[°C]	-10 ... +60
Corrosion resistance	CRC ¹⁾	3

1) Corrosion resistance class 3 according to Festo standard 940 070

Components requiring higher corrosion resistance. External visible parts in direct contact with industrial atmospheres or media such as solvents and cleaning agents, with a predominantly functional requirement for the surface.

Weights [g]

	G $\frac{3}{8}$	G $\frac{1}{2}$	G $\frac{3}{4}$	G1
HE-...-LO	1,100		1,000	

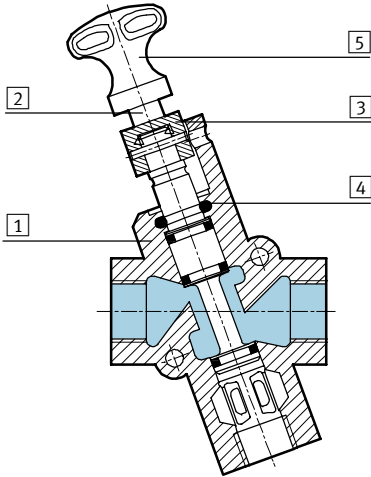
Shut-off valve HE-LO, to safety standard

Technical data



Materials

Sectional view

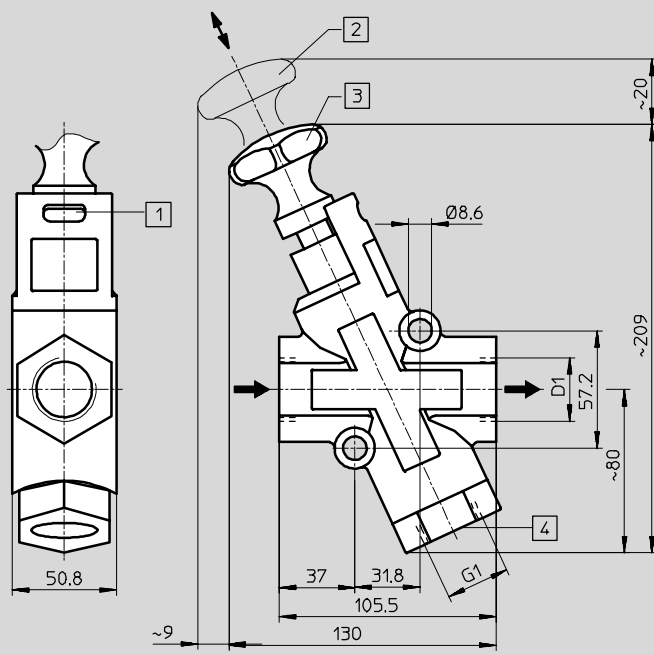


Shut-off valve

1	Housing	Die-cast aluminium
2	Piston spool	Aluminium
3	Guide	Polyetrafluorethylene
4	O-ring	Polyurethane
5	Actuating knob	Die-cast aluminium
-	Seals	Nitrile rubber

Dimensions

Download CAD data → www.festo.com/en/engineering



- 1 Slot for padlock
- 2 Actuating knob open
- 3 Actuating knob locked
- 4 Threaded connection, e.g. for silencer

→ Flow direction

Type	D1
HE-G $\frac{3}{8}$ -LO	G $\frac{3}{8}$
HE-G $\frac{1}{2}$ -LO	G $\frac{1}{2}$
HE-G $\frac{3}{4}$ -LO	G $\frac{3}{4}$
HE-G1-LO	G1

Ordering data

Connection	Part No.	Type
G $\frac{3}{8}$	197 133	HE-G $\frac{3}{8}$ -LO
G $\frac{1}{2}$	197 134	HE-G $\frac{1}{2}$ -LO
G $\frac{3}{4}$	197 135	HE-G $\frac{3}{4}$ -LO
G1	197 136	HE-G1-LO

Individual units
Start-up and exhaust valves

4.4

Shut-off valve HE-LO, to safety standard

Accessories

FESTO

Padlock LRVS-D
for shut-off valve

Material:
Housing: Brass



Ordering data			
	Weight [g]	Part No.	Type
Padlock	120	193 786	LRVS-D