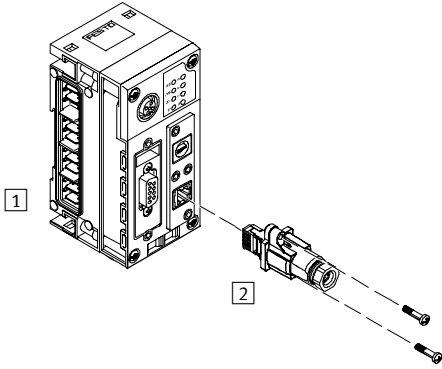


Electrical connection technology, for Ethernet

Peripherals overview

Ethernet-components



Accessories		
	Brief description	→ Page
1	CPX-FEC-1-IE Control block CPX-FEC	25
2	FBS-RJ45-8-GS Ethernet plug, 8-pin RJ45 socket	4 / 5.1-187

Ethernet – Product range overview			
Designation	Type	CPX-FEC-1-IE	→ Page
Ethernet plug, 8-pin RJ45 socket	FBS-RJ45-8-GS	■	4 / 5.1-187

Electrical connection technology, for Ethernet

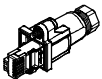
Technical data – FBS-RJ45-8-GS



- Ethernet plug, 8-pin RJ45 socket
- Polarity-safe
- High quality of transmission
- Detachable connection



General technical data	
Type	FBS-RJ45-8-GS
Mounting position	Any
Max. wire cross section [mm ²]	max. 0,16
Cable gland fitting	PG7
Cable diameter [mm]	4 ... 5,4
Protection class to EN 60 529	IP67
Material of housing	Polyamide
Material of contacts	Bronze, nickel-plated/gold-plated
Operating temperature [°C]	-5 ... +60
Storage temperature [°C]	-20 ... +70

Ordering data						
	Electrical connection	Type of mounting	Electric strength [V]	Product weight [g]	Type	Part No.
	straight plug, 8-pin, RJ45	2 screws M3x14	1000 AC	15	FBS-RJ45-8-GS	534 494

Electrical connection technology, for Ethernet

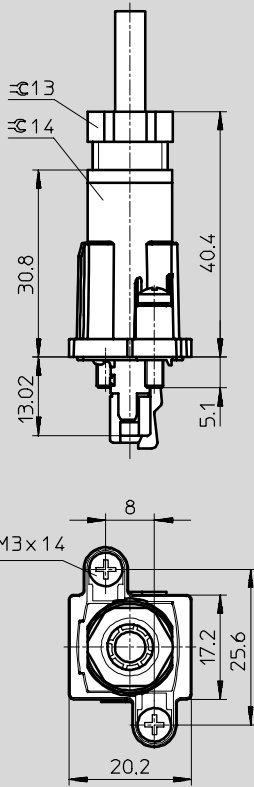


Technical data – FBS-RJ45-8-GS

Dimensions

Download CAD-Daten → www.festo.com/en/engineering

FBS-RJ45-8-GS



Accessories for valve terminals
Electrical connector systems

5.1