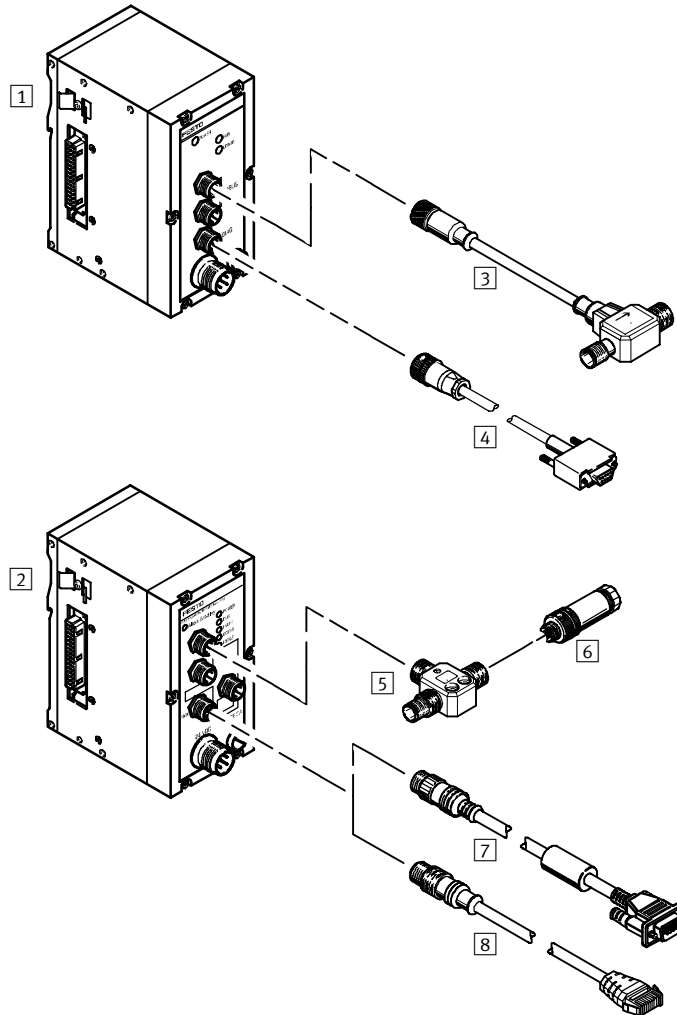


Electrical connection technology, for diagnostic interface

Peripherals overview

FESTO

Diagnostic interface for valve terminal type 03



Accessories		
	Brief description	→ Page
1	ISF3-03	Control block, modular electrical peripherals for type 03/04
2	ISF60-03-DN/ISB60-03	Control block, modular electrical peripherals for type 03/04
3	FB-TA	T-adapter, 3-pin
4	KDI-SB202-...	Programming cable, 4-pin
5	FB-TA-M12-5POL	T-adapter, 5-pin
6	SEA-M12-5GS-PG7	Plug, straight, 5-pin
7	KDTAM-SB60-...	Programming cable, 7-pin
8	KDI-SB60-...	Programming cable, 7-pin

Electrical connection technology, for diagnostic interface

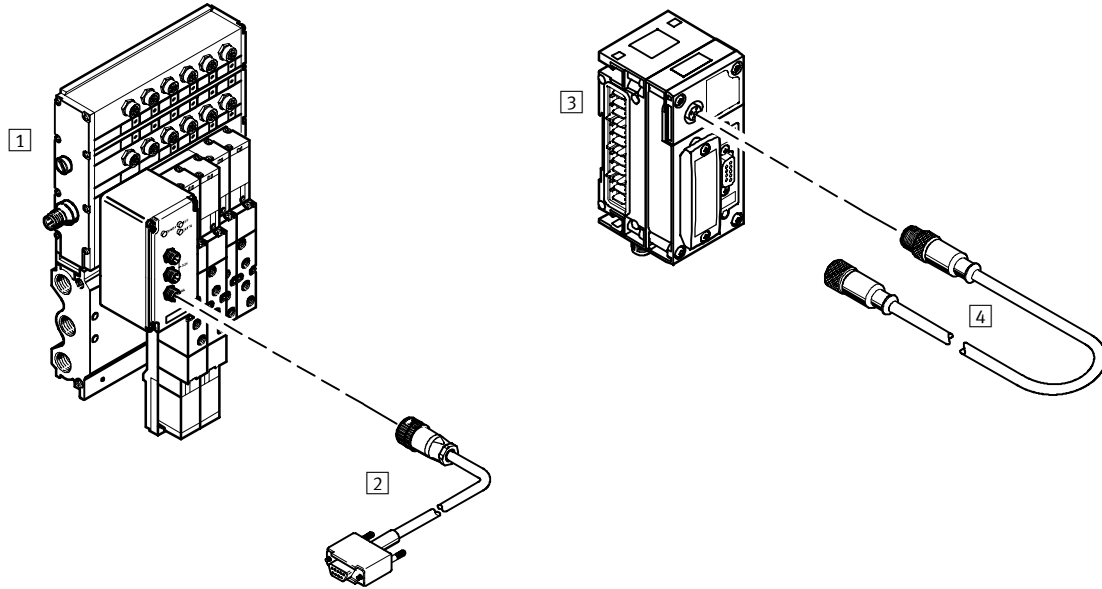
Peripherals overview

FESTO

Accessories for valve terminals
Electrical connector systems

5.1

Diagnostic interface, valve/sensor terminal/valve terminal type 02 and CPX terminal



Accessories			
	Brief description	→ Page	
1	IIFB-02-... VIFB02-...	Valve/sensor terminal type 02 Valve terminal type 02	4 / 2.3-1 4 / 2.3-1
2	KDI-SB202-...	Programming cable, 4-pin	4 / 5.1-101
3	CPX-FB...	Fieldbus node, CPX terminal	4 / 4.8-1
4	KV-M12-M12-...	Plug socket with cable for diagnostic interface	4 / 5.1-103

Overview of diagnostic cables for valve terminals						
Cable type	Valve terminal					→ Page
	Type 04	Type 10/12 ¹⁾	Type 03	Type 02	Type 50	
KDI-SB202-BU9	-	■	■	■	-	4 / 5.1-101
KDI-SB60-3-M12	■	■	■	-	-	4 / 5.1-101
KDI-SB60-6,0-M12	■	■	■	-	-	4 / 5.1-101
KDI-SB60-3-10,0-M12	■	■	■	-	-	4 / 5.1-101
KDTAM-SB60-3-M12	■	■	■	-	-	4 / 5.1-101
KDTAM-SB60-6,0-M12	■	■	■	-	-	4 / 5.1-101
KDTAM-SB60-10,0-M12	■	■	■	-	-	4 / 5.1-101
KV-M12-M12-1,5	-	-	-	-	■	4 / 5.1-103
KV-M12-M12-3,5	-	-	-	-	■	4 / 5.1-103

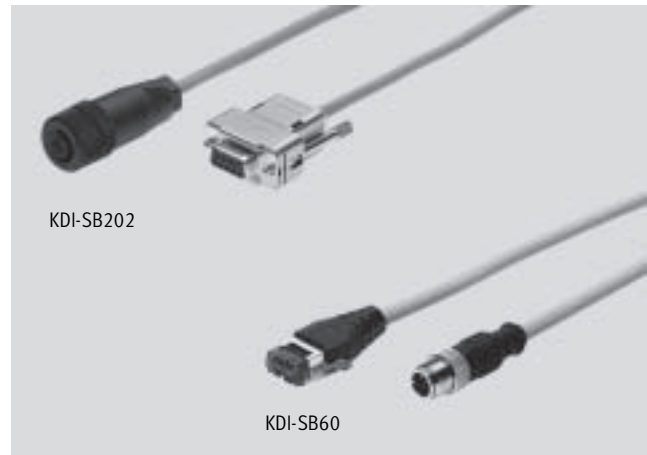
1) Via installation system (ECP)

Electrical connection technology, for diagnostic interface

Technical data – KDI/KDTAM

FESTO

- Programming cable for different applications
- Pre-assembled at both ends
- Cable lengths: 3 m, 6 m and 10 m



Accessories for valve terminals
Electrical connector systems

5.1

General technical data		
Type	KDI-.../KDTAM-...	KDI-PPA-3-BU9
Type of mounting	M12 union nut/threaded connector, clips/screws 2xM3	Screws 4-40 UNC
Mounting position	Any	
Operating voltage range [V]	300 AC	–
Material of housing	Polyester/Polyurethane	
Material of contacts	Gold-plated copper base alloy	
Material of union nut	Nickel-plated brass	
Material of cable sheath	Polyurethane	Polyvinyl chloride
Ambient temperature [°C]	–30 ... +80	
Ambient temperature of flexible cable installation [°C]	–10 ... +80	

Ordering data							
	Electrical connection	Constructional design [mm ²]	Cable diameter [mm]	Product weight [g]	Cable length [m]	Type	Part No.
	Straight plug, 5-pin, M12 – straight socket, 9-pin, Sub-D	7x0.24	5.9	203	3	KDTAM-SB60-3-M12	188 979
				354	6	KDTAM-SB60-6-M12	188 980
				582	10	KDTAM-SB60-10-M12	188 981
	Straight socket, 9-pin, Sub-D – straight plug, 9-pin, Sub-D	9x0.22	–	156	3	KDI-PPA-3-BU9	151 915
	Straight socket, 5-pin, M12 – straight socket, 25-pin, Sub-D	4x0.14	4.5 ... 6.5	210	5	KDI-SB202-BU25	30 437
				181	5	KDI-SB202-BU9	150 268
	Straight plug, 5-pin, M12 – straight socket, 8-pin, SDL	7x0.24	5.9	190	3	KDI-SB60-3,0-M12	171 173
				361	6	KDI-SB60-6,0-M12	175 686
				591	10	KDI-SB60-10,0-M12	171 174

Electrical connection technology, for diagnostic interface

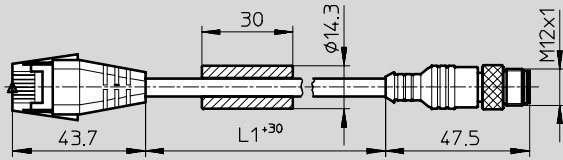
Technical data – KDI/KDTAM

FESTO

Dimensions

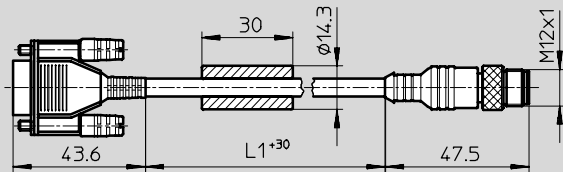
Download CAD data → www.festo.com/en/engineering

KDI-SB60-...



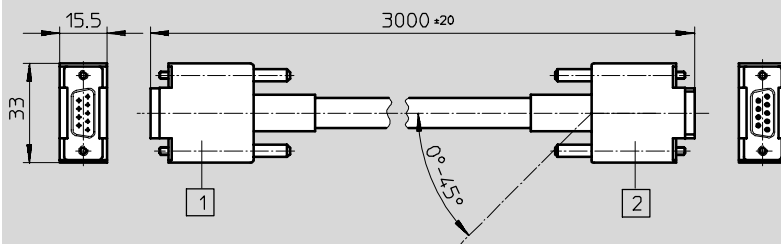
L1 Cable length 3 m, 6 m or 10 m

KDTAM-...



L1 Cable length 3 m, 6 m or 10 m

KDI-PPA-3-BU9



- 1 Straight socket, 9-pin, Sub-D
- 2 Straight plug, 9-pin, Sub-D

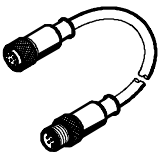
Electrical connection technology, for diagnostic interface

Technical data – KV-M12-...

- Plug socket with cable for diagnostic interface (to terminal CPX)
- Pre-assembled at both ends
- Cable lengths: 1.5 m and 3.5 m
- 5-pin/4-wire
- Round plug



General technical data		
Type	KV-M12-M12-...	
Type of mounting	M12 union nut	
Mounting position	Any	
Operating voltage range	[V]	30 AC
	[V]	36 DC
Current-carrying capacity	[A]	4
Cable diameter	[mm]	5
Protection class to EN 60 529	IP67 (assembled)	
Material of housing	Polyurethane	
Material of contacts	Socket	Gold-plated brass
	Plug	Gold-plated bronze
Material of union nut	Nickel-plated/chrome-plated brass	
Material of cable sheath	Polyurethane	
Ambient temperature	[°C]	-25 ... +70
Ambient temperature of flexible cable installation	[°C]	-5 ... +70

Ordering data						
	Electrical connection	Constructional design [mm ²]	Product weight [g]	Cable length [m]	Type	Part No.
	Straight plug – straight socket, 5-pin	4x0.34	97	1.5	KV-M12-M12-1,5	529 044
	Straight plug – straight socket, 5-pin	4x0.34	182	3.5	KV-M12-M12-3,5	530 901

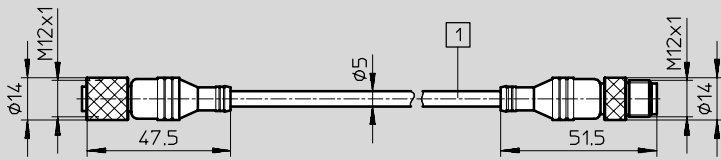
Electrical connection technology, for diagnostic interface

Technical data – KV-M12-...

Dimensions

Download CAD data → www.festo.com/en/engineering

KV-M12-M12-...



1 Cable length of 1.5 m or 3.5 m

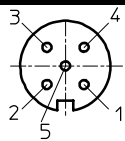
Wiring allocation (socket/plug view)

KV-M12-M12-...

View – socket

Wiring allocation

View – plug



1 (+24V)	Brown	1 (+24V)
3 (0V)	Blue	3 (0V)
2 (RxD, MMI)	White	2 (TxD, CPX)
4 (TxD, MMI)	Black	4 (RxD, CPX)
5 (FE)	Screen	5 (FE)

