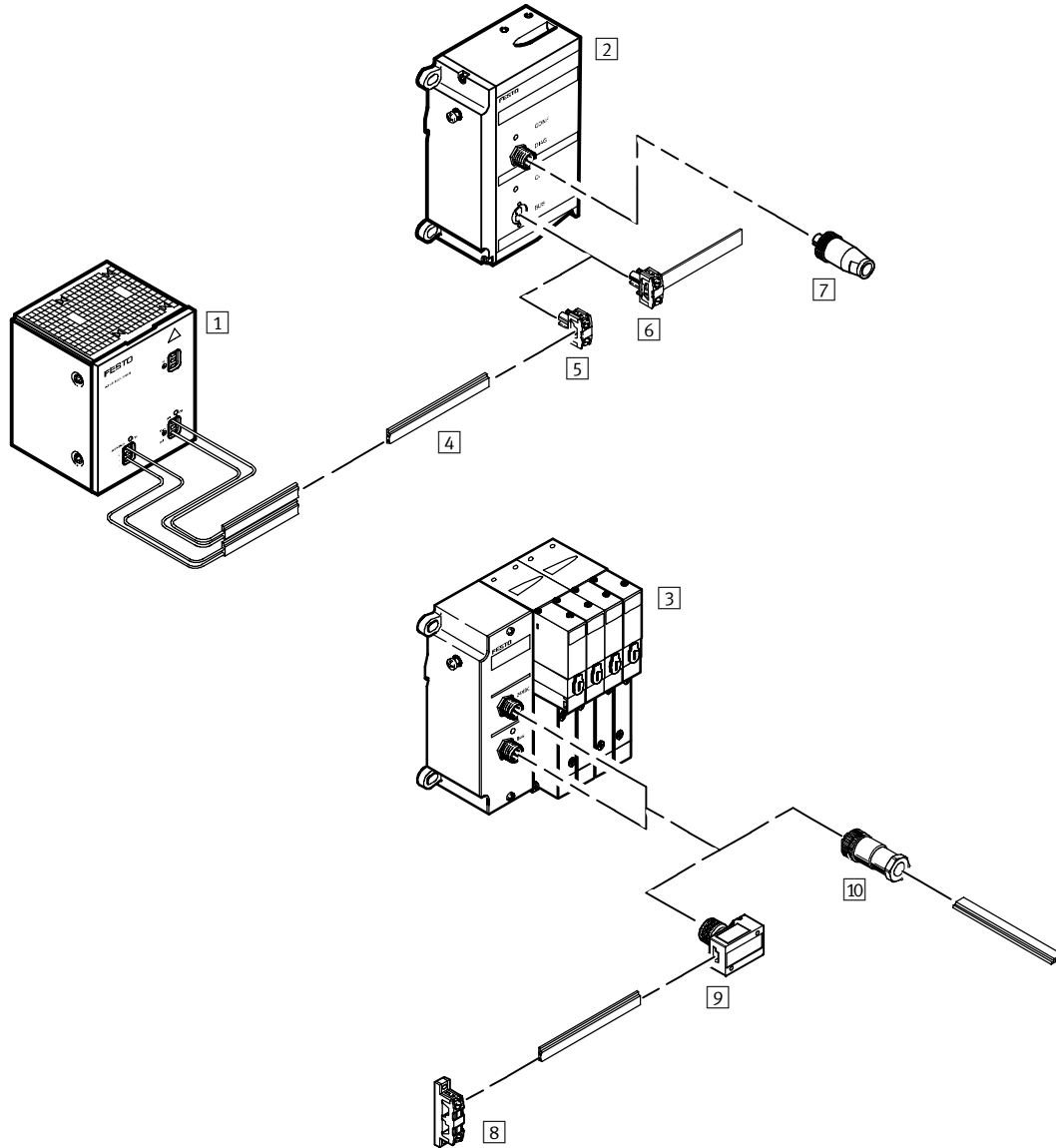


Electrical connection technology, for AS-interface

Peripherals overview

FESTO

AS-interface components for bus interface and power supply



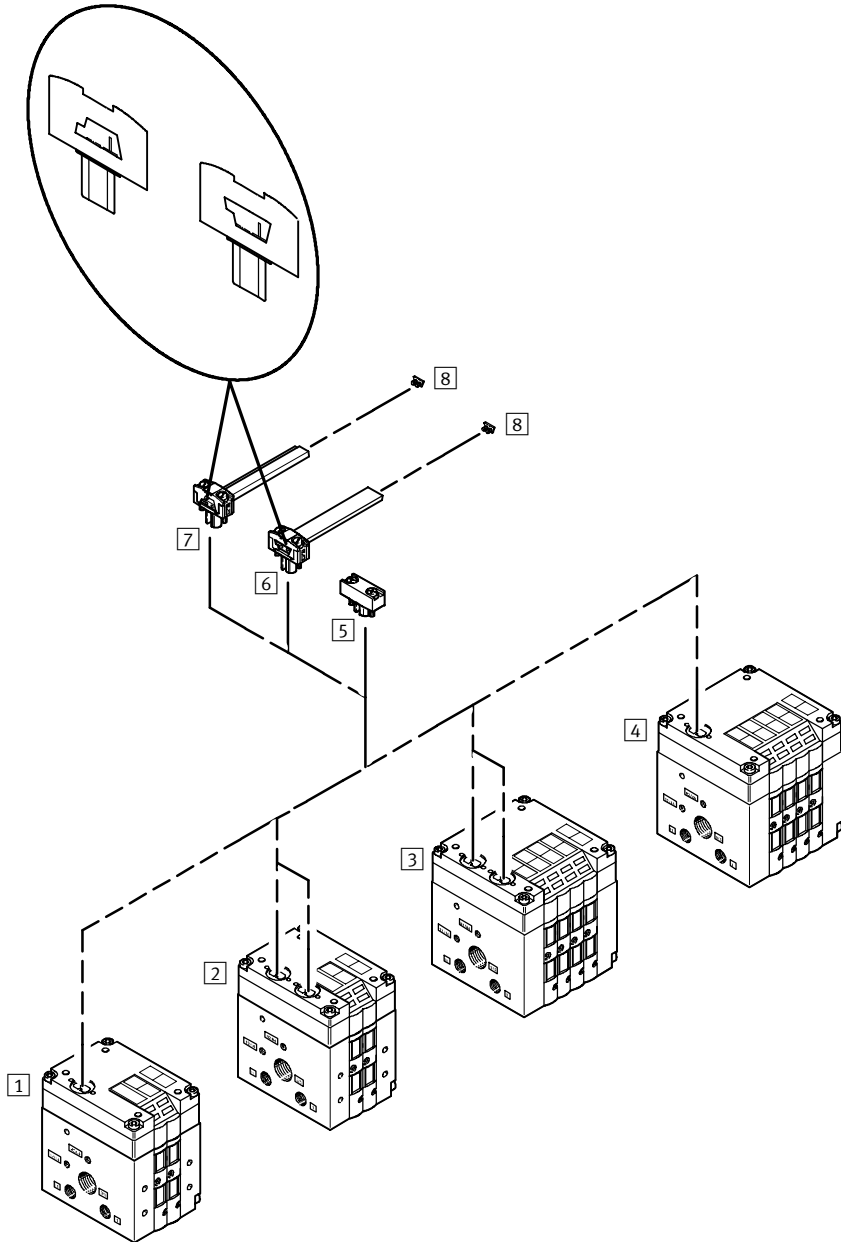
Accessories		Brief description	→ Page
1	ASI-CNT-115/230VAC-B	Combi power pack	Info 220 AS-interface
2	VIASI-03-M	AS-i master interface	Info 220 AS-interface
3	AS1	AS-interface for 4 coils	Info 220 AS-interface
4	KASI-1,5-Y-100	Flat cable for AS-interface components	4 / 5.1-184
5	ASI-SD-FK	Cable socket for flat cable	4 / 5.1-175
6	ASI-SD-FK-180	Cable socket for flat cable, profile turned 180°	4 / 5.1-175
7	ASI-SS-CONFIG	Configuration plug for AS-interface master type 03	4 / 5.1-183
8	ASI-KVT-FK-S	Cable distributor for flat cables, symmetrical	4 / 5.1-177
9	ASI-SD-FK-M12	Cable socket M12x1	4 / 5.1-173
10	ASI-SD-PG-M12	Cable socket M12x1, Pg13.5	4 / 5.1-173

Electrical connection technology, for AS-interface

Peripherals overview



Valve terminal type 10 CPV with AS-interface connection without inputs

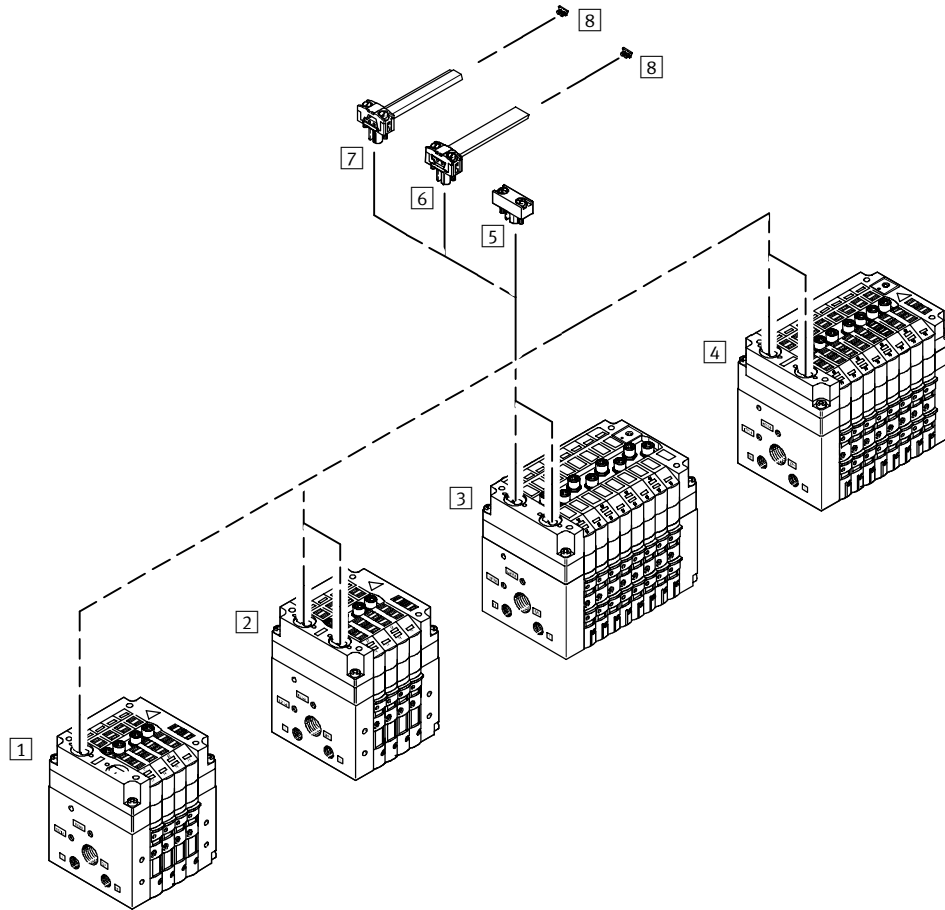


Accessories		
	Brief description	→ Page
1	CPV...	Valve terminal type 10, Compact Performance with AS-interface connection Info 220 AS-interface
2	CPV...	Valve terminal type 10, Compact Performance with AS-interface connection, auxiliary power supply Info 220 AS-interface
3	CPV...	Valve terminal type 10, Compact Performance with AS-interface connection, auxiliary power supply Info 220 AS-interface
4	CPV...	Valve terminal type 10, Compact Performance with AS-interface connection Info 220 AS-interface
5	AS-SD-FK-BL	Flat cable blanking plug 4 / 5.1-175
6	ASI-SD-FK-180	Cable socket for flat cable, profile turned 180° 4 / 5.1-175
7	ASI-SD-FK	Cable socket for flat cable 4 / 5.1-175
8	ASI-KK-FK	Cable cap for flat cable 4 / 5.1-184

Electrical connection technology, for AS-interface

Peripherals overview

Valve terminal type 10 CPV with AS-interface connection with inputs



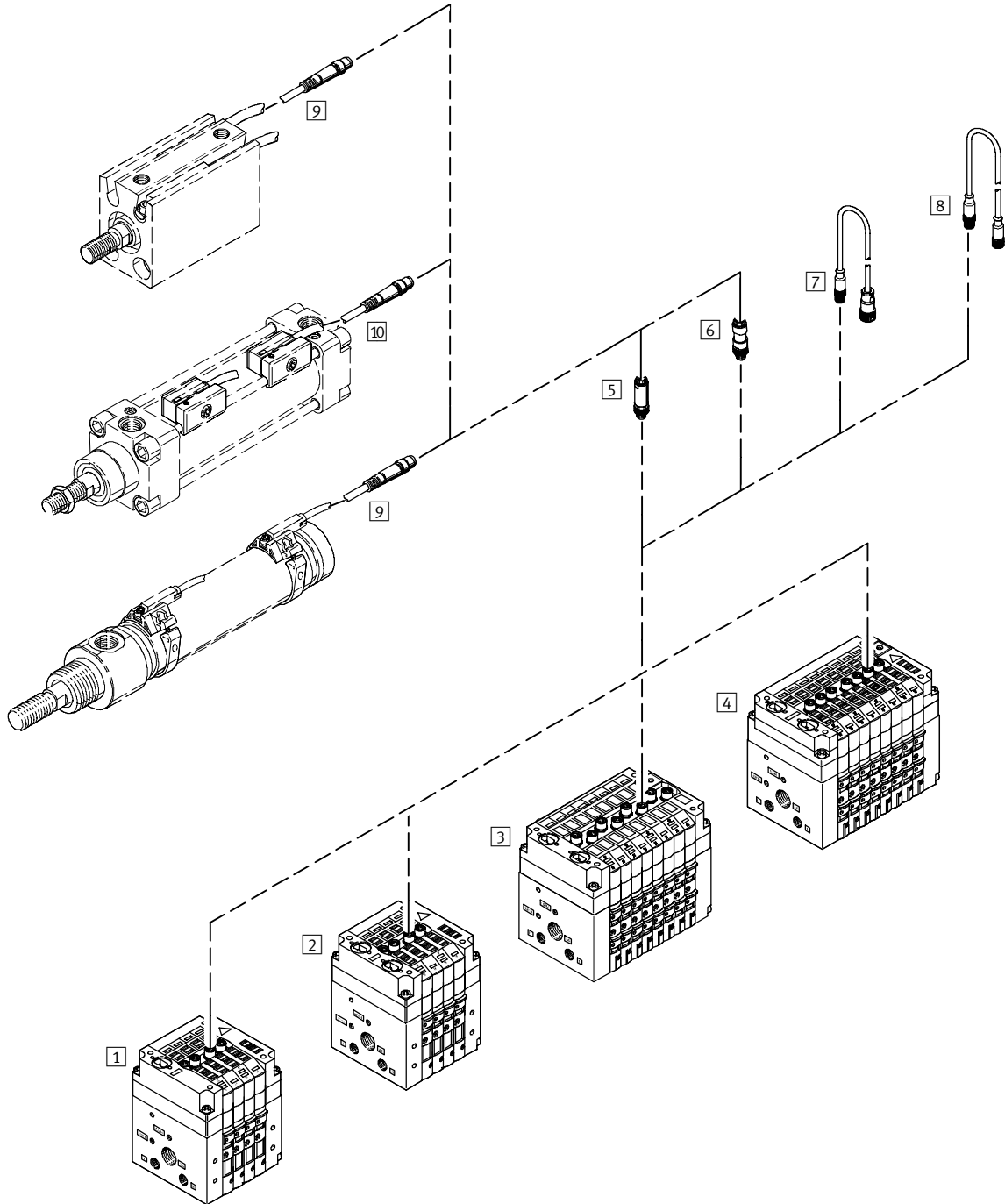
Accessories		
	Brief description	→ Page
1	CPV...	Valve terminal type 10, Compact Performance with AS-interface connection and inputs
2	CPV...	Valve terminal type 10, Compact Performance with AS-interface connection, auxiliary power supply and inputs
3	CPV...	Valve terminal type 10, Compact Performance with AS-interface connection, auxiliary power supply and inputs
4	CPV...	Valve terminal type 10, Compact Performance with AS-interface connection and inputs
5	AS-SD-FK-BL	Flat cable blanking plug
6	ASI-SD-FK-180	Cable socket for flat cable, profile turned 180°
7	ASI-SD-FK	Cable socket for flat cable
8	ASI-KK-FK	Cable cap for flat cable

Electrical connection technology, for AS-interface

Peripherals overview



Valve terminal type 10 CPV with AS-interface connection with inputs, plug and connecting cable variants



Accessories for valve terminals
Electrical connector systems

5.1

Electrical connection technology, for AS-interface

Peripherals overview

FESTO

Accessories		
	Brief description	→ Page
1	CPV...	Valve terminal type 10, Compact Performance with AS-interface connection and inputs
2	CPV...	Valve terminal type 10, Compact Performance with AS-interface connection, auxiliary power supply and inputs (alternatively for A/B operation)
3	CPV...	Valve terminal type 10, Compact Performance with AS-interface connection, auxiliary power supply and inputs
4	CPV...	Valve terminal type 10, Compact Performance with AS-interface connection
5	SEA-3GS-M8-S	Sensor plug for inputs and outputs, straight, M8, screw-in
6	SEA-GS-M8	Sensor plug for inputs and outputs, straight, M8, solderable
7	KM8-M12-GSGD-...	Connecting cable, straight plug M8, straight socket, 4-pin M12
8	KM8-M8-GSGD-...	Connecting cable, straight plug M8, straight socket, 3-pin M8
9	SMEO-...	Proximity sensor, electrical
10	SMT-10	Proximity sensor, electrical

Accessories for valve terminals
Electrical connector systems

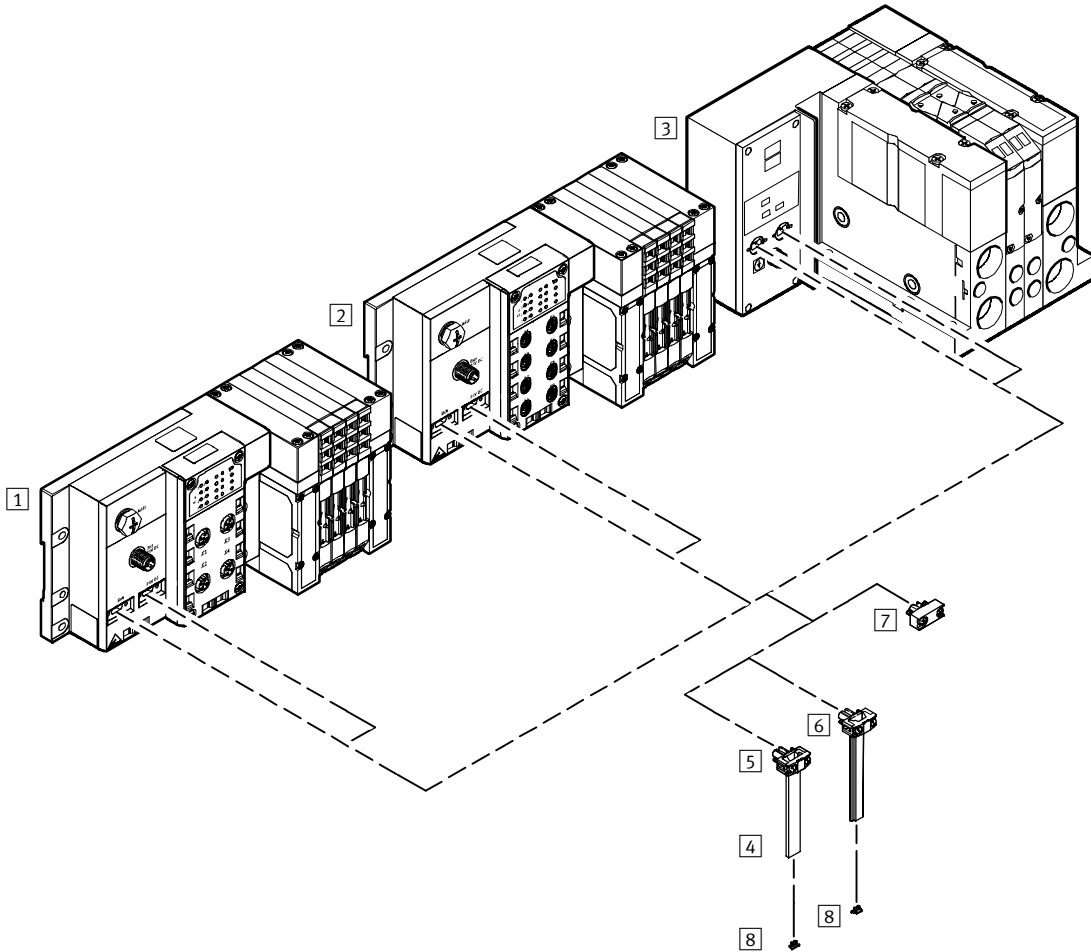
5.1

Electrical connection technology, for AS-interface

Peripherals overview



Valve terminal type 12 CPA with bus interface and power supply

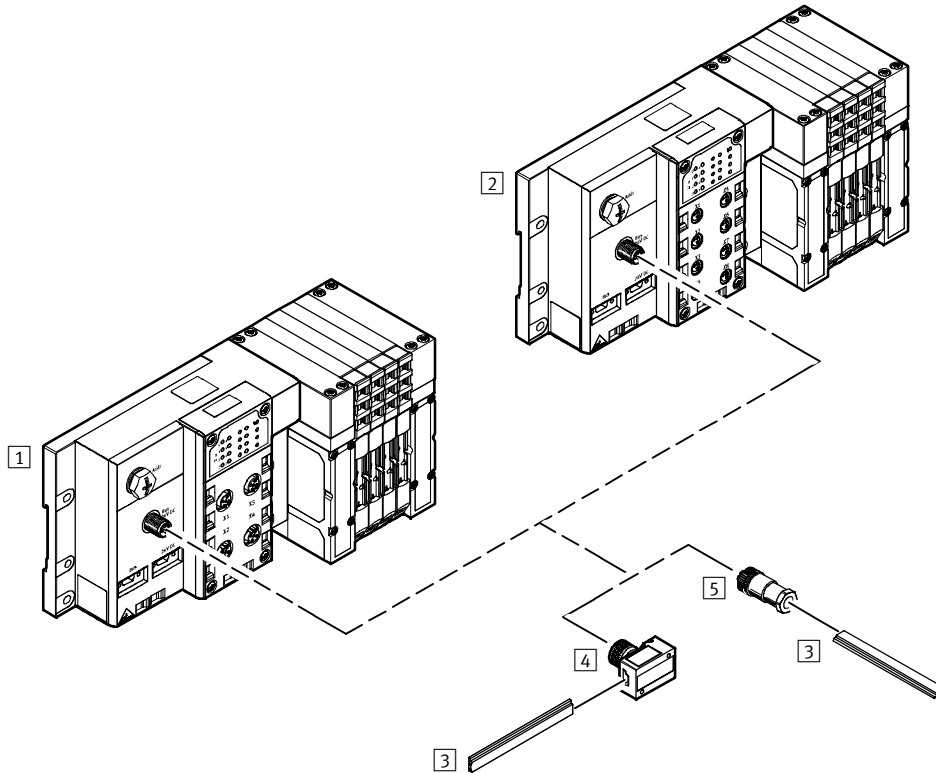


Accessories		
	Brief description	→ Page
1	CPA... Valve terminal type 12, Compact Performance with AS-interface connection and inputs	Info 220 AS-interface
2	CPA... Valve terminal type 12, Compact Performance with AS-interface connection, auxiliary power supply without inputs	Info 220 AS-interface
3	CPA... Valve terminal type 12, Compact Performance with AS-interface connection, auxiliary power supply and inputs	Info 220 AS-interface
4	KASI-1,5-Y-100 Flat cable for AS-interface components	4 / 5.1-184
5	ASI-SD-FK-180 Cable socket for flat cable, profile turned 180°	4 / 5.1-175
6	ASI-SD-FK Cable socket for flat cable	4 / 5.1-175
7	AS-SD-FK-BL Flat cable blanking plug	4 / 5.1-175
8	ASI-KK-FK Cable cap for flat cable	4 / 5.1-184

Electrical connection technology, for AS-interface

Peripherals overview

Valve terminal type 12 CPA with bus interface, power supply, diagnostics and addressing interface



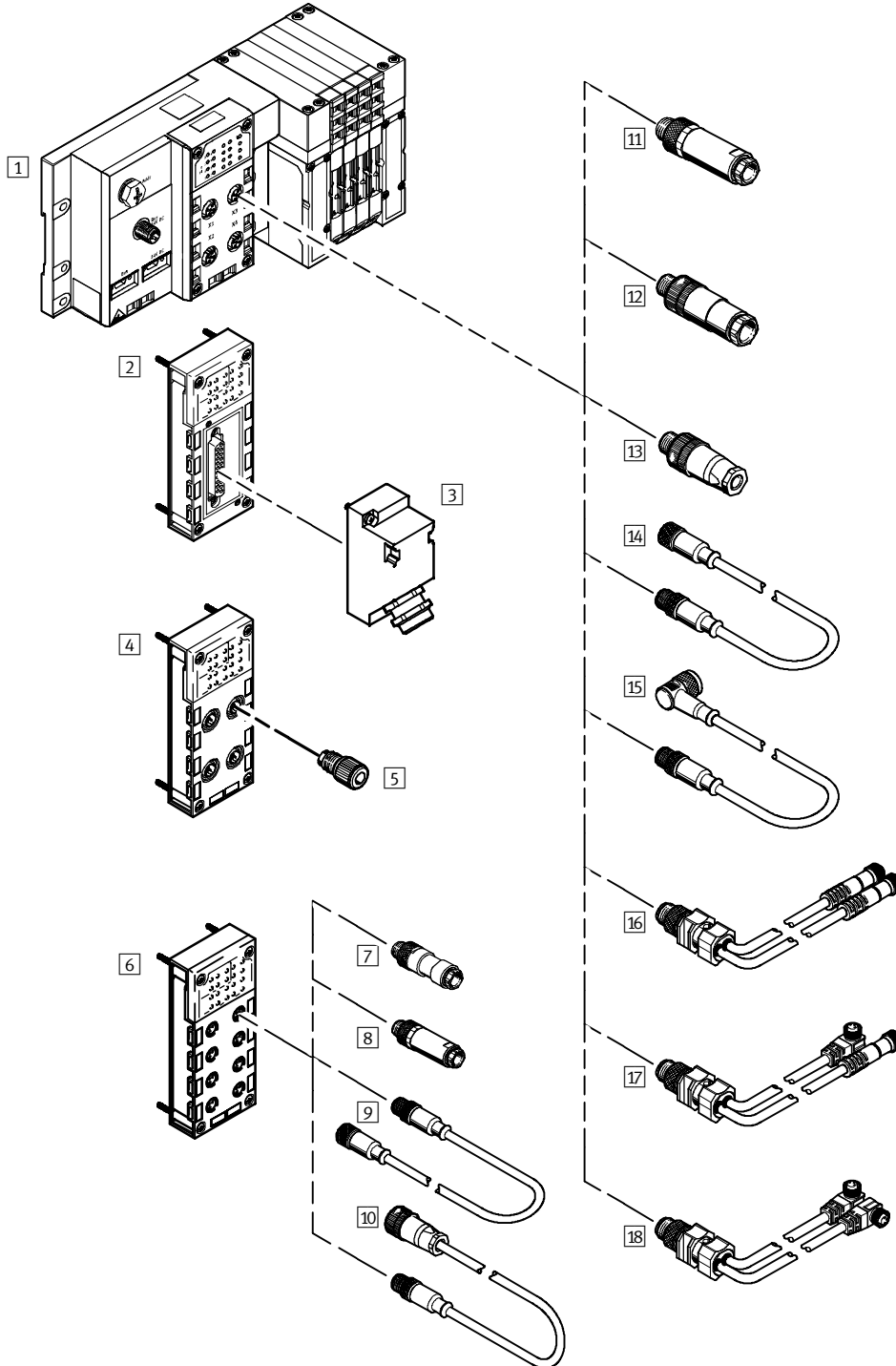
Accessories		
	Brief description	→ Page
1	CPA... Valve terminal type 12, Compact Performance with AS-interface connection and inputs	Info 220 AS-interface
2	CPA... Valve terminal type 12, Compact Performance with AS-interface connection and inputs	Info 220 AS-interface
3	KASI-1,5-Y-100 Flat cable for AS-interface components	4 / 5.1-184
4	ASI-SD-PG-M12 Cable socket M12x1, Pg13.5	4 / 5.1-173
5	ASI-SD-FK-M12 Cable socket M12x1	4 / 5.1-173

Electrical connection technology, for AS-interface

Peripherals overview



Valve terminal type 12 CPA with connection options including plugs, sockets and cables



Accessories for valve terminals
Electrical connector systems

5.1

Electrical connection technology, for AS-interface

Peripherals overview

FESTO

Accessories		
	Brief description	→ Page
1	CPA...	Valve terminal type 12 CPA...-ASI with 8 inputs M12 Info 220 AS-interface
2	CPX-AB-1-SUB-BU-25POL	Connection block, CPX terminal, clamps, IP20 Info 210 Modular electrical terminal CPX
3	SD-SUB-D-ST25	Plug, Sub-D, 25-pin 4 / 5.1-144
4	CPX-AB-4-HAR-4POL	Connection block, CPX terminal, Harax Info 210 Modular electrical terminal CPX
5	SEA-GS-HAR-4POL	Sensor plug for inputs and outputs, Harax, 4-pin 4 / 5.1-154
6	CPX-AB-8-M8-3POL	Connection block, CPX terminal Info 210 Modular electrical terminal CPX
7	SEA-GS-M8	Sensor plug for inputs and outputs, straight, M8, solderable 4 / 5.1-146
8	SEA-3GS-M8-S	Sensor plug for inputs and outputs, straight, M8, screw-in 4 / 5.1-146
9	KM8-M8-GSGD-...	Connecting cable, straight plug M8, straight socket, 3-pin M8 4 / 5.1-136
10	KM8-M12-GSGD-...	Connecting cable, straight plug M8, straight socket, 4-pin M12 4 / 5.1-136
11	SEA-GS-7 SEA-4GS-7-2,5 SEA-GS-9	Sensor plug for inputs and outputs, straight, 4-pin 4 / 5.1-148 Sensor plug for inputs and outputs, straight, 4-pin 4 / 5.1-150 Sensor plug for inputs and outputs, straight, 4-pin 4 / 5.1-148
12	SEA-GS-11-DUO SEA-5GS-11-DUO	DUO plug for inputs and outputs, straight, 4-pin, for 2 cables 4 / 5.1-148 DUO plug for inputs and outputs, straight, 5-pin, for 2 cables 4 / 5.1-150
13	SEA-M12-5GS-PG7	Sensor plug M12 for inputs and outputs, straight, Pg7, 5-pin 4 / 5.1-152
14	KM12-M12-GSGD-...	Extension cable, straight plug, straight socket, 4-pin 4 / 5.1-24
15	KM12-M12-GSWD-1-4	Extension cable, straight plug, angled socket, 4-pin 4 / 5.1-24
16	KM12-DUO-M8-GDGD	DUO cable, straight sockets 4 / 5.1-140
17	KM12-DUO-M8-GDWD	DUO cable, straight socket/angled socket 4 / 5.1-140
18	KM12-DUO-M8-WDWD	DUO cable, angled sockets 4 / 5.1-140

Accessories for valve terminals
Electrical connector systems

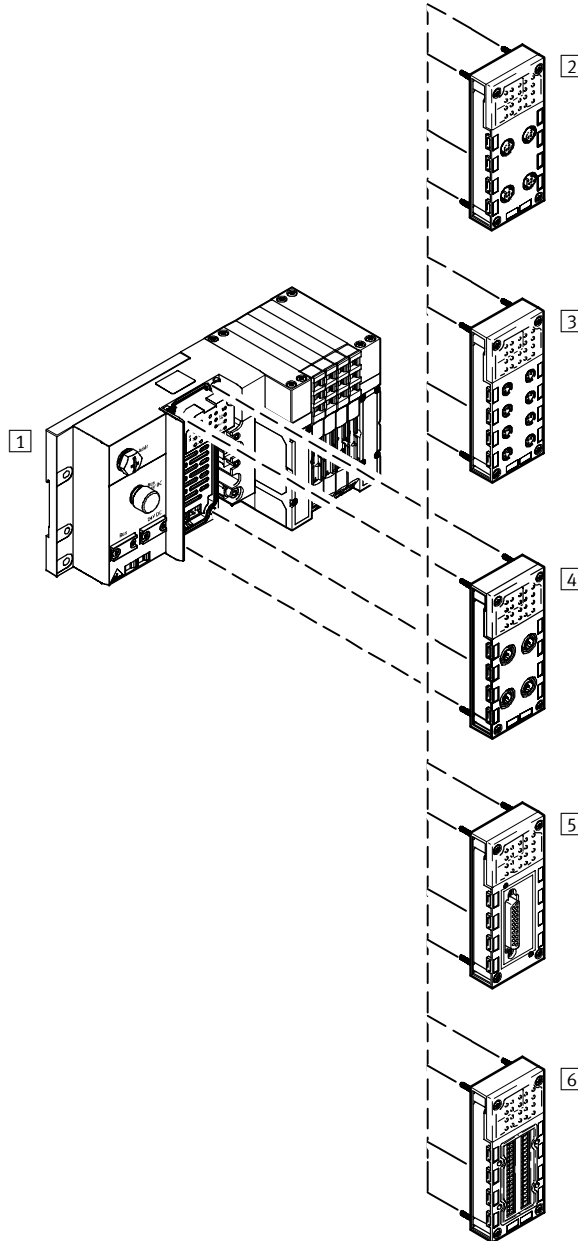
5.1

Electrical connection technology, for AS-interface

Peripherals overview



Valve terminal type 12 CPA with connection options for electrical inputs



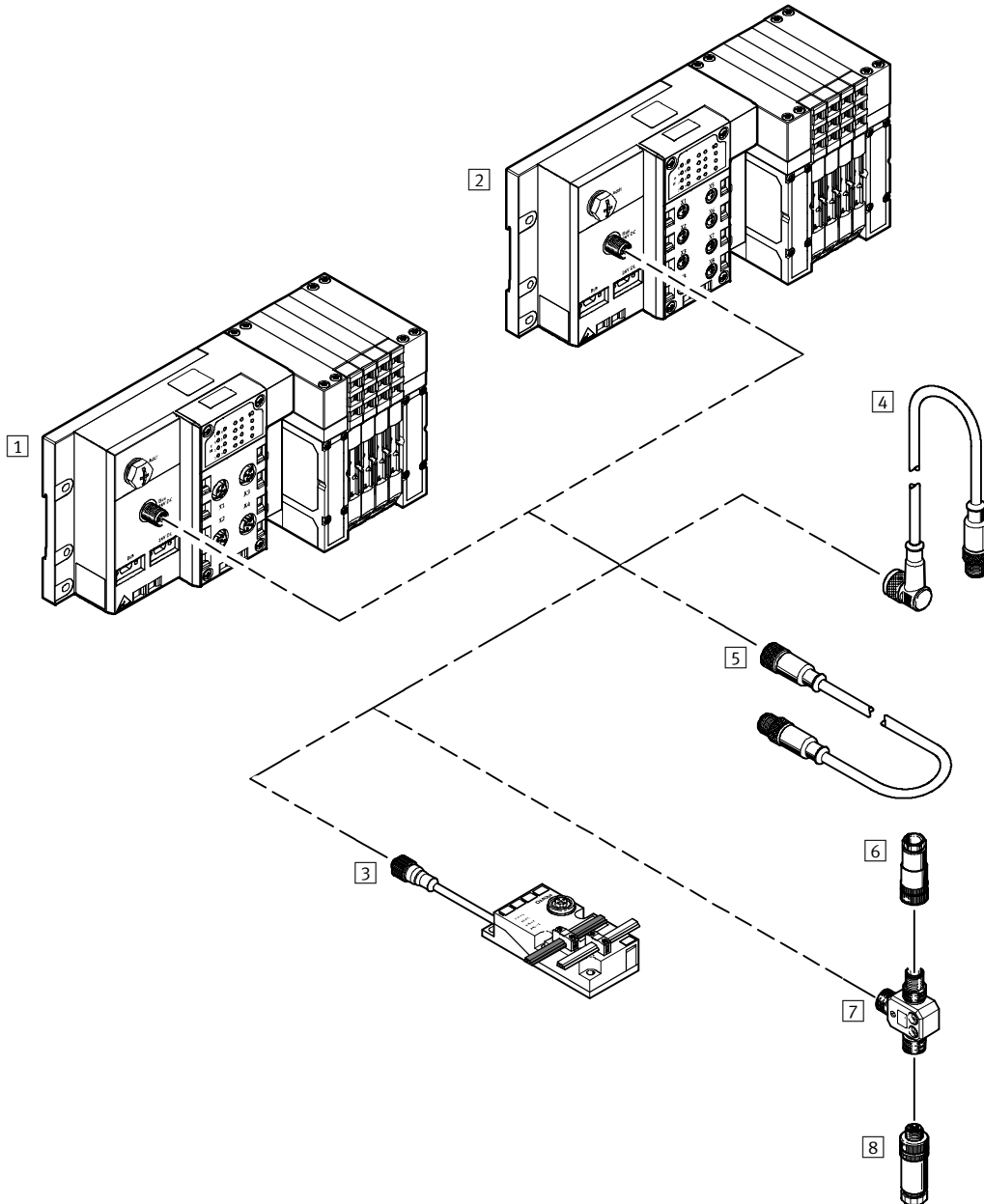
Accessories		
	Brief description	→ Page
1	CPA...	Valve terminal type 12, Compact Performance with AS-interface connection and inputs
2	CPX-AB-4-M12x2-5POL	Connection block, CPX terminal, M12, 5-pin
3	CPX-AB-8-M8x2-3POL	Connection block, CPX terminal, M8, 3-pin
4	CPX-AB-4-HAR-POL	Connection block, CPX terminal, Harax
5	CPX-AB-4-8-...	Connection block, CPX terminal, Sub-D, 25 pin, IP65
6	CPX-AB-1-SUB-BU-25POL	Connection block CPX terminal, clamps, IP20

Electrical connection technology, for AS-interface

Peripherals overview

FESTO

Valve terminal type 12 CPA with AS-interface distributors



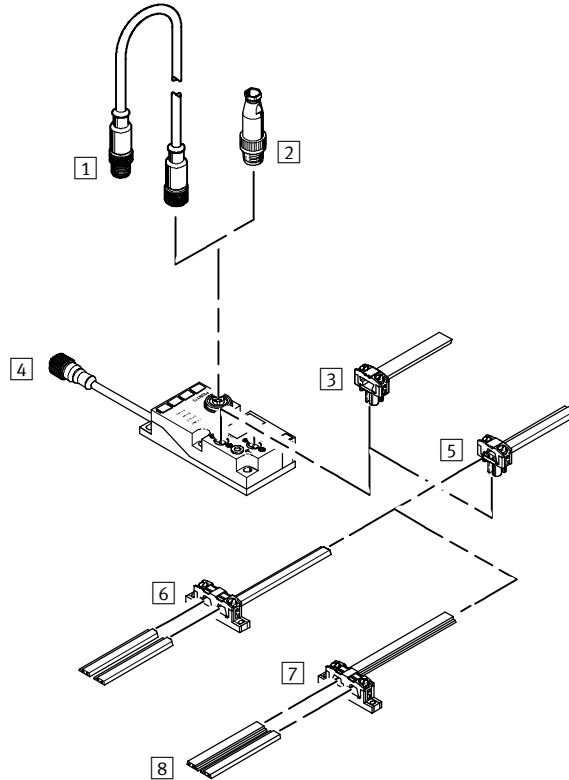
Accessories		→ Page	
	Brief description		
1	CPA...	Valve terminal type 12, Compact Performance with AS-interface connection and inputs and auxiliary power supply	Info 220 AS-interface
2	CPA...	Valve terminal type 12, Compact Performance with AS-interface connection and inputs and auxiliary power supply	Info 220 AS-interface
3	ASI-KVT-FKx2-M12	Cable distributor for flat cables, plug socket M12	4 / 5.1-179
4	KM12-M12-GSWD-1-4	Extension cable, straight plug, angled socket, 4-pin	2 / 7.3-37
5	KM12-M12-GSGD-...	Extension cable, straight plug, straight socket, 4-pin	4 / 5.1-24
6	FBS-M12-5GS-PG9	Plug for T-adaptor	4 / 5.1-86
7	FB-TA-M12-5POL	T-adaptor	4 / 5.1-96
8	FBSD-GD-9-5POL	Socket, straight, with screw terminal	4 / 5.1-86

Electrical connection technology, for AS-interface

Peripherals overview



AS-interface components and distributors



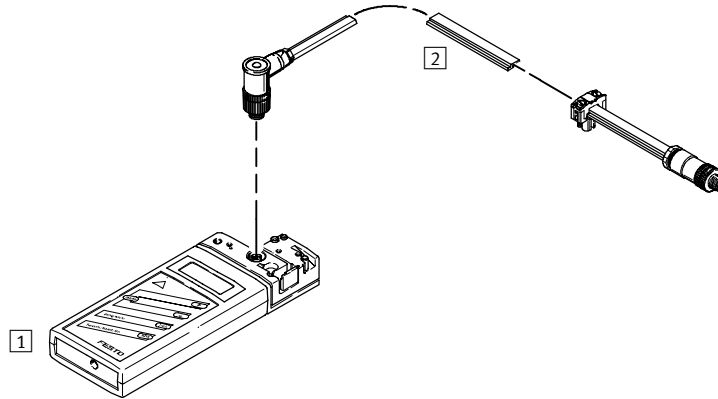
Accessories		Brief description	→ Page
1	KM12-M12-GSGD-...	Extension cable, straight plug, straight socket, 4-pin	4 / 5.1-24
2	SEA-M12-5GS-PG7	Sensor plug M12 for inputs and outputs, straight, Pg7, 5-pin	4 / 5.1-152
3	ASI-SD-FK-180	Cable socket for flat cable, profile turned 180°	4 / 5.1-175
4	ASI-KVT-FKx2-M12	Cable distributor for flat cables, plug socket M12	4 / 5.1-179
5	ASI-SD-FK	Cable socket for flat cable	4 / 5.1-175
6	ASI-KVT-FK	Cable distributor for flat cables, parallel	4 / 5.1-177
7	ASI-KVT-FK-S	Cable distributor for flat cables, symmetrical	4 / 5.1-177
8	KASI-1,5-Y-100	Flat cable for AS-interface components	4 / 5.1-184

Electrical connection technology, for AS-interface

Peripherals overview

FESTO

AS-interface components with accessories



Accessories		
	Brief description	→ Page
1	ASI-PRG-ADR Addressing device for AS-interface stations	Info 220 AS-interface
2	KASI-ADR Addressing cable for addressing device	4 / 5.1-181

Accessories for valve terminals
Electrical connector systems

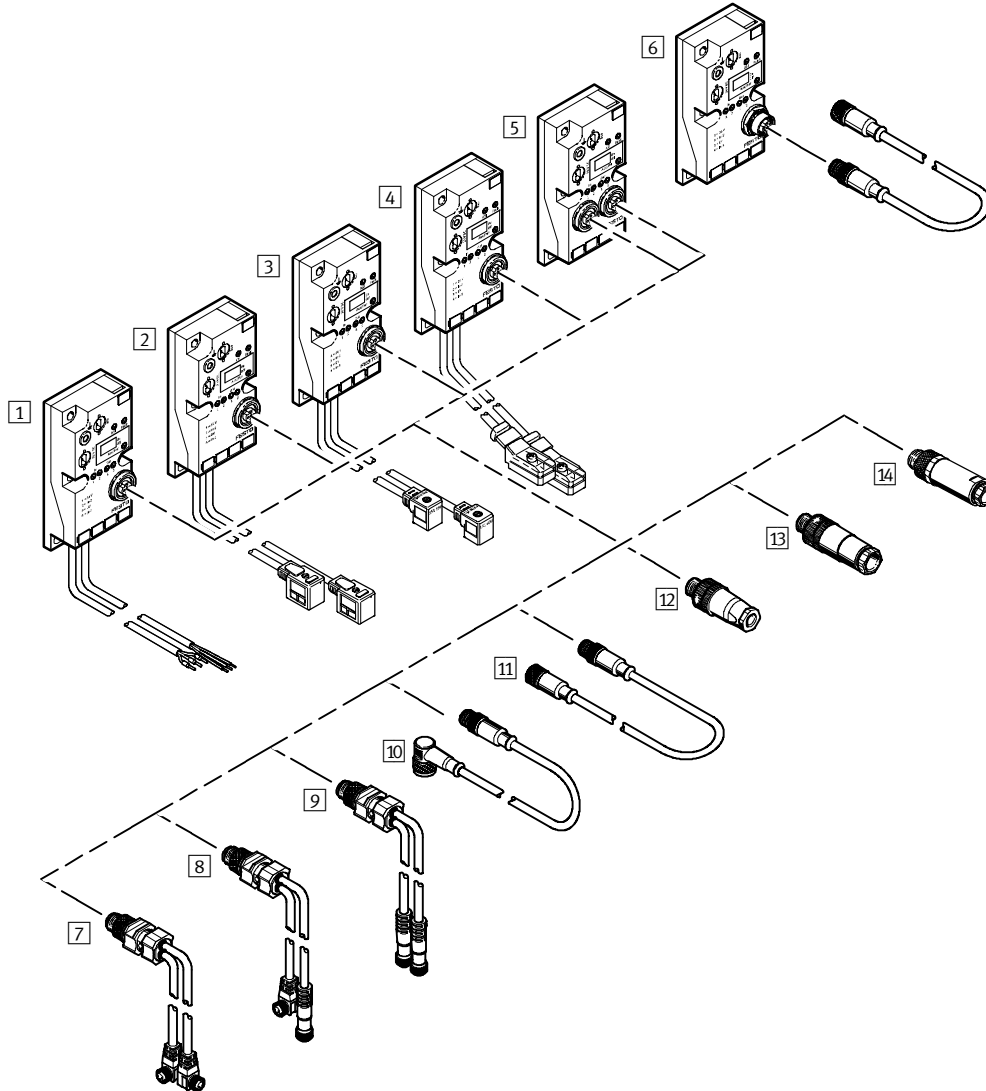
5.1

Electrical connection technology, for AS-interface

Peripherals overview



AS-interface components, ASI-EVA individual valve interface, bus interface, power supply, plug and cable variants



Accessories for valve terminals
Electrical connector systems

5.1

Electrical connection technology, for AS-interface

Peripherals overview

FESTO

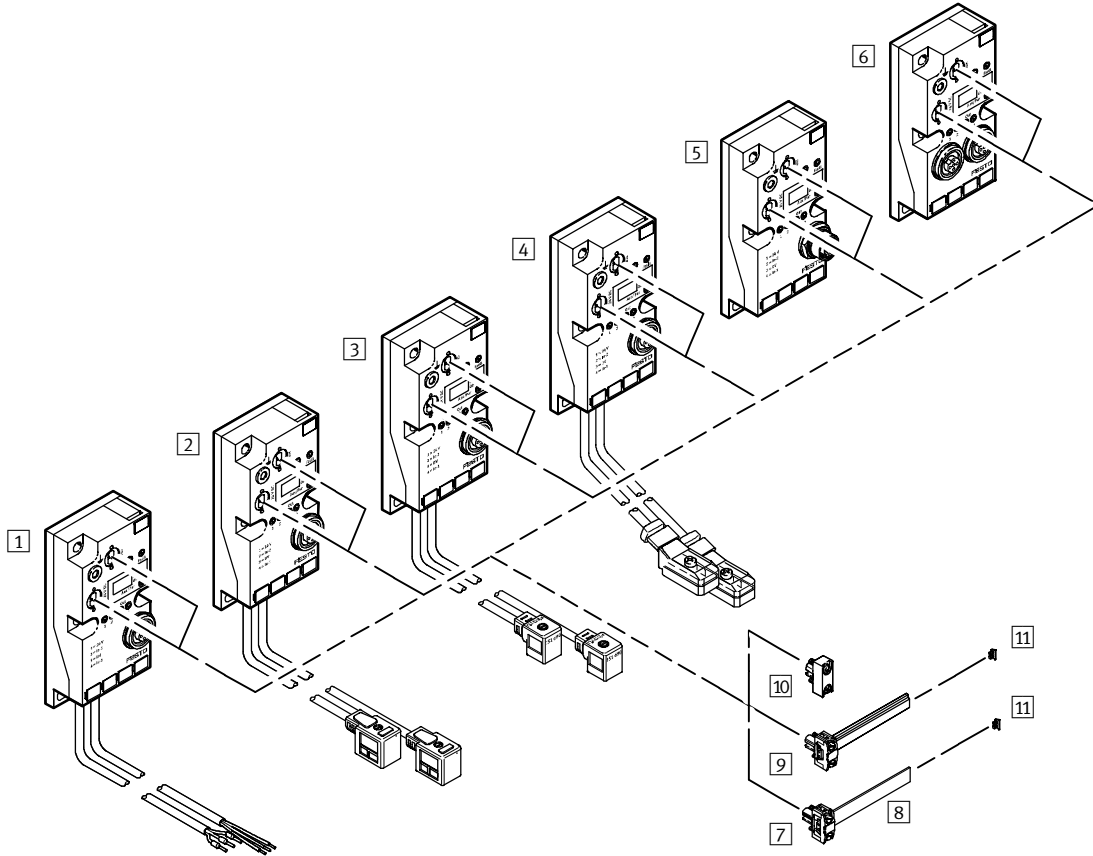
Accessories		
	Brief description	→ Page
1	ASI-EVA-K1-...	AS-interface individual valve interface for any valves up to 6 W (12 W) Info 220 AS-interface
2	ASI-EVA-MF-...	AS-interface individual valve interface for F solenoid Info 220 AS-interface
3	ASI-EVA-MEB-...	AS-interface individual valve interface for EB solenoid Info 220 AS-interface
4	ASI-EVA-MZB-...	AS-interface individual valve interface for valves CPE10/14-M1BH Info 220 AS-interface
5	ASI-EVA-4E-M12-5POL	AS-interface for 4 inputs Info 220 AS-interface
6	ASI-EVA-3E2A-M12-8POL-Z	AS-interface connection for DNCV Info 220 AS-interface
7	KM12-DUO-M8-WDWD	DUO cable, angled sockets 4 / 5.1-140
8	KM12-DUO-M8-GDWD	DUO cable, straight socket/angled socket 4 / 5.1-140
9	KM12-DUO-M8-GDGD	DUO cable, straight sockets 4 / 5.1-140
10	KM12-M12-GSWD-1-4	Extension cable, straight plug, angled socket, 4-pin 4 / 5.1-24
11	KM12-M12-GSGD-...	Extension cable, straight plug, straight socket, 4-pin 4 / 5.1-24
12	SEA-M12-5GS-PG7	Sensor plug M12 for inputs and outputs, straight, Pg7, 5-pin 4 / 5.1-152
13	SEA-GS-11-DUO	DUO plug for inputs and outputs, straight, 4-pin, for 2 cables 4 / 5.1-148
	SEA-5GS-11-DUO	DUO plug for inputs and outputs, straight, 5-pin, for 2 cables 4 / 5.1-150
14	SEA-GS-7	Sensor plug for inputs and outputs, straight 4 / 5.1-148
	SEA-4GS-7-2,5	4 / 5.1-150
	SEA-GS-9	4 / 5.1-148

Electrical connection technology, for AS-interface

Peripherals overview



AS-interface components, ASI-EVA individual valve interface, bus interface, power supply



Accessories		
	Brief description	→ Page
1	ASI-EVA-K1-...	AS-interface individual valve interface for any valves up to 6 W Info 220 AS-interface
2	ASI-EVA-MF-...	AS-interface individual valve interface for F solenoid Info 220 AS-interface
3	ASI-EVA-MEB-...	AS-interface individual valve interface for EB solenoid Info 220 AS-interface
4	ASI-EVA-MZB-...	AS-interface individual valve interface for valves CPE10/14-M1BH Info 220 AS-interface
5	ASI-EVA-3E2A-M12-8POL-Z	AS-interface connection for DNCV Info 220 AS-interface
6	ASI-EVA-4E-M12-5POL	AS-interface for 4 inputs Info 220 AS-interface
7	ASI-SD-FK-180	Cable socket for flat cable, profile turned 180° 4 / 5.1-175
8	KASI-1,5-Y-100	Flat cable for AS-interface components 4 / 5.1-184
9	ASI-SD-FK	Cable socket for flat cable 4 / 5.1-175
10	ASI-SD-FK-BL	Blanking plug 4 / 5.1-175
11	ASI-KK-FK	Cable cap for flat cable 4 / 5.1-184

Electrical connection technology, for AS-interface

Accessories

AS-interface – Product range overview							
Designation	Type	Master	AS1	CPV-ASI	CPA-ASI	ASI-EVA	→ Page
Bus connection							
Flat cable for AS-interface components, yellow, 100 m	KASI-1,5-Y-100	■	■	■	■	■	4 / 5.1-184
Flat cable for AS-interface components, black, 100 m	KASI-1,5-Z-100	-	■	■	■	■	4 / 5.1-184
Cable cap for flat cable (scope of delivery 50 pieces) ²⁾	ASI-KK-FK	-	■	■	■	■	4 / 5.1-184
Cable sleeve (scope of delivery 20 pieces) ²⁾	ASI-KT-FK	-	■	■	■	■	4 / 5.1-184
Cable socket for flat cable ¹⁾	ASI-SD-FK	■	-	■	■	■	4 / 5.1-175
Cable socket for flat cable, profile turned 180° ¹⁾	ASI-SD-FK180	-	-	■	■	■	4 / 5.1-175
Flat cable blanking plug ¹⁾	AS-SD-FK-BL	-	-	■	■	■	4 / 5.1-175
Addressing cable for addressing device	KASI-ADR	-	-	-	-	-	4 / 5.1-181
AS-interface cable distributor for flat cables, cables parallel	ASI-KVT-FK	■	-	■	■	■	4 / 5.1-177
Cable distributor for flat cables, cables symmetrical	ASI-KVT-FK-S	■	-	■	■	■	4 / 5.1-177
Cable distributors for flat cables, on 2x M12 plug sockets, 4-pin	ASI-KVT-FKx2-M12	-	-	■	■	-	4 / 5.1-179
Cable socket M12x1 for flat cable	ASI-SD-FK-M12	■	■	■	■	-	4 / 5.1-173
Cable socket M12x1 for flat cable, with PG13.5	ASI-SD-PG-M12	-	■	■	■	-	4 / 5.1-173
Sensor plugs							
Sensor plug M12 for inputs and outputs, straight, Pg7, 5-pin	SEA-M12-5GS-PG7	-	-	-	■	■	4 / 5.1-152
Sensor plug for inputs and outputs, straight, M12, 4-pin, Pg7	SEA-GS-7	-	-	-	■	■	4 / 5.1-148
Sensor plug for inputs and outputs, straight, M12, 4-pin, Pg9	SEA-GS-9	-	-	-	■	■	4 / 5.1-148
Sensor plug for inputs and outputs, angled, M12, 4-pin, Pg7	SEA-M12-4WD-PG7	-	-	-	-	■	2 / 7.2-20
Sensor plug for inputs and outputs, straight, M12, 4-pin, for cable dia. 2.5 mm	SEA-4GS-7-2,5	-	-	-	■	■	4 / 5.1-150
Sensor plug for inputs and outputs, straight, M8, screw-in	SEA-3GS-M8-S	-	-	■	■	-	4 / 5.1-146
Sensor plug for inputs and outputs, straight, M8, solderable	SEA-GS-M8	-	-	■	■	-	4 / 5.1-146
Sensor plug for inputs and outputs, Harax, 4-pin	SEA-GS-HAR-4POL	-	-	-	■	-	4 / 5.1-154
Plug, Sub-D, 25-pin	SD-SUB-D-ST25	-	-	-	■	-	4 / 5.1-144
Protective cap M12	ISK-M12	-	-	-	■	■	www.festo.com
Protective cap M8	ISK-M8	-	-	-	■	-	www.festo.com
DUO plug							
DUO plug for inputs and outputs, straight, 4-pin, for 2 cables	SEA-GS-11-DUO	-	-	-	■	■	4 / 5.1-148
DUO plug for inputs and outputs, straight, 5-pin, for 2 cables	SEA-5GS-11-DUO	-	-	-	■	■	4 / 5.1-148
DUO cable M12 with 2x M8							
DUO cable, straight sockets	KM12-DUO-M8-GDGD	-	-	-	■	■	4 / 5.1-140
DUO cable, straight socket/angled socket	KM12-DUO-M8-GDWD	-	-	-	■	■	4 / 5.1-140
DUO cable, angled sockets	KM12-DUO-M8-WDWD	-	-	-	■	■	4 / 5.1-140

1) Two flat cable connections per ASI-EVA must be connected or covered.

2) Achieves IP65 on open cable end in the field.

Electrical connection technology, for AS-interface

Accessories

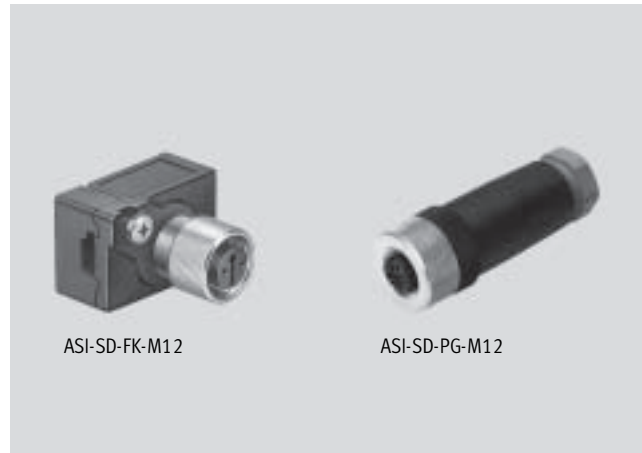
AS-interface – Product range overview							
Designation	Type	Master	AS1	CPV-ASI	CPA-ASI	ASI-EVA	→ Page
Extension cables							
Extension cable, straight plug, straight socket, 4-pin, 2.5 m	KM12-M12-GSGD-2.5	-	■	-	■	■	4 / 5.1-24
Extension cable, straight plug, straight socket, 4-pin, 5 m	KM12-M12-GSGD-5	-	■	-	■	■	4 / 5.1-24
Extension cable, straight plug, angled socket, 4-pin	KM12-M12-GSWD-1-4	-	■	-	■	■	4 / 5.1-24
Connecting cables							
AS-interface connection for DNCV M12, 8-pin	ASI-EVA-3E2A-M12-8POL-Z	■	■	-	-	■	Info 220 AS-interface
Connecting cable M12, 8-pin	KM12-8GD8GS-2-PU	-	-	-	-	■	4 / 8.3-17
Connecting cable, straight plug, M8, straight socket, 4-pin M12	KM8-M12-GSGD-...	-	-	■	■	■	4 / 5.1-136
Connecting cable, straight plug, M8, straight socket, 3-pin M8	KM8-M8-GSGD-...	-	-	■	■	■	4 / 5.1-136
Other accessories							
Combi power pack	ASI-CNT-115/230VAC-B	■	■	■	■	■	Info 220 AS-interface
Addressing device for AS-interface stations	ASI-PRG-ADR	-	■	■	■	■	Info 220 AS-interface
Addressing cable for addressing device	KASI-ADR	-	■	■	■	■	4 / 5.1-181
Configuration plug for AS-interface master type 03	ASI-SS-CONFIG	■	-	-	-	-	4 / 5.1-183
Serial data cable for AS-interface software tool	KDI-SB202-BU9	■	-	-	-	-	4 / 5.1-101
Inscription labels 6x10 mm in frames (64 pieces)	IBS-6x10	-	-	■	■	■	www.festo.com
Inscription labels 10x17 mm in frames (30 pieces)	IBS-10x17	-	-	-	-	-	www.festo.com
Inscription labels 9x20 mm in frames (20 pieces)	IBS-9x20	-	-	■	■	-	www.festo.com
H-rail mounting (mounting set)	CP-TS-HS35	-	-	-	-	■	www.festo.com
Attachment for H-rail mounting	CPA-BG-NRH	-	-	-	■	-	www.festo.com
H-rail to EN 50 022	NRH-35-2000	■	■	■	■	■	www.festo.com
T-adapter, plug and socket							
T-adapter	FB-TA-M12-5POL	■	-	-	■	-	4 / 5.1-96
Plug for T-adapter	FBS-M12-5GS-PG9	■	-	-	■	-	4 / 5.1-86
Socket, straight, with screw terminal	FBSD-GD-9-5POL	■	-	-	■	-	4 / 5.1-86

Electrical connection technology, for AS-interface

Technical data – ASI-SD



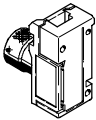
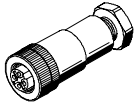
- Flat cable socket for the connection of AS-interface stations to the AS-interface bus system
- M12 connection
- Reverse polarity protected
- Detachable connection
- 2-pin or 4-pin



ASI-SD-FK-M12

ASI-SD-PG-M12

General technical data		
Type	ASI-SD-FK-M12	ASI-SD-PG-M12
Mounting position	Any	
Connection type	Insulation displacement technology	Screw terminal
Connection cross-section [mm ²]	1.5	0.75
Cable gland fitting	–	Pg9
Protection class	IP67	
Material of housing	Polyamide	
Material of contacts	Gold-plated copper base alloy	Bronze
Material of union nut	Nickel-plated surface	
Operating temperature [°C]	–25 ... +60	–40 ... +85

Ordering data							
	Electrical connection	Type of mounting	Operating voltage range [V]	Current-carrying capacity [A]	Product weight [g]	Type	Part No.
	Straight plug, 2-pin	Knurled screw	40 AC	2	16.8	ASI-SD-FK-M12	18 788
	Straight plug, 4-pin, screw terminal		125 AC	3	27.6	ASI-SD-PG-M12	18 789

Electrical connection technology, for AS-interface

Technical data – ASI-SD

FESTO

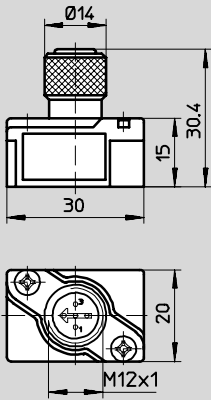
Accessories for valve terminals
Electrical connector systems

5.1

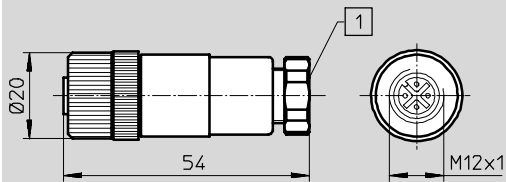
Dimensions

Download CAD data → www.festo.com/en/engineering

ASI-SD-FK-M12



ASI-SD-PG-M12



1 Seal for AS-interface cable

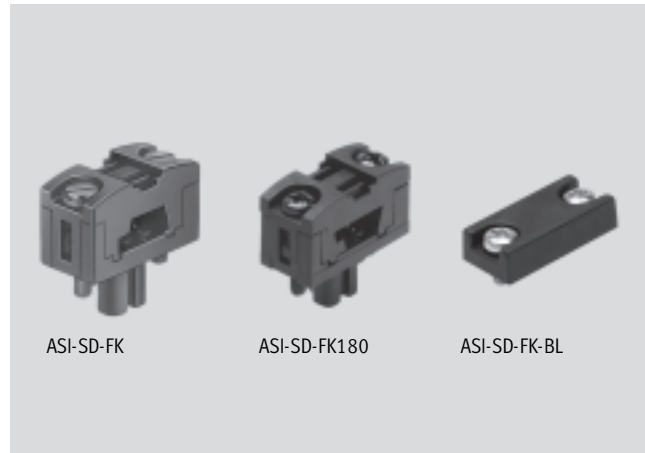
Electrical connection technology, for AS-interface

Technical data – ASI-SD-FK



- Flat cable socket for the connection of AS-interface stations to the AS-interface bus system
- 0° and 180° version
- Reverse polarity protected
- Detachable connection
- 2-pin

- Blanking plugs for sealing unused connections



General technical data			
Type	ASI-SD-FK	ASI-SD-FK180	ASI-SD-FK-BL
Mounting position	Any		
Version	Cable guide 0°	Cable guide 180°	–
Connection type	Insulation displacement technology		–
Connection cross-section [mm ²]	1.5		–
Protection class	IP65		
Material of housing	Polyamide		
Material of contacts	Bronze	–	
Ambient temperature [°C]	–5 ... +50		
Storage temperature [°C]	–30 ... +85		

Ordering data								
	Electrical connection	Type of mounting	Operating voltage range		Current-carrying capacity [A]	Product weight [g]	Type	Part No.
			[V]	[V]				
	Socket, straight, 2-pin	2 screws M2.5	60 AC	75 DC	3	6.8	ASI-SD-FK	18 785
			–	–		6.2	ASI-SD-FK180	196 089
	–	2 screws M2.5x6	–	–	–	3	ASI-SD-FK-BL	196 090

Electrical connection technology, for AS-interface

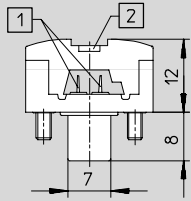
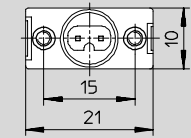
Technical data – ASI-SD-FK

FESTO

Dimensions

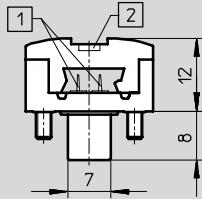
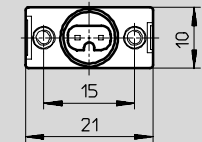
Download CAD data → www.festo.com/en/engineering

ASI-SD-FK



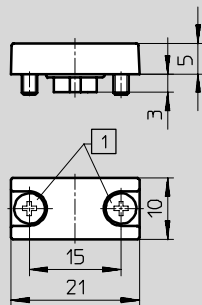
- 1 Contact blades for flat cable contacting
- 2 Inscription label mounting options

ASI-SD-FK180



- 1 Contact blades for flat cable contacting
- 2 Inscription label mounting options

ASI-SD-FK-BL



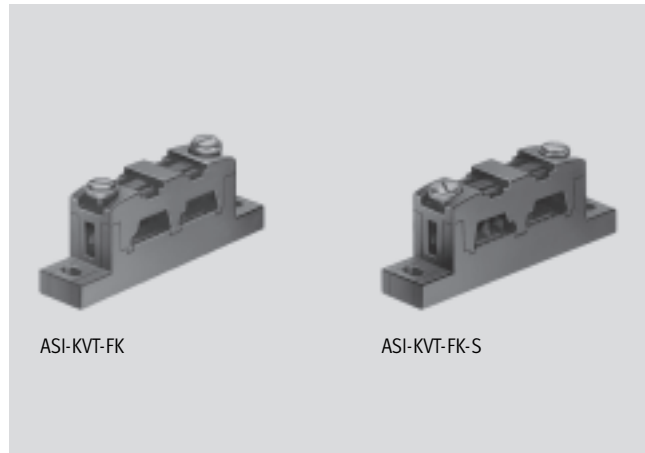
- 1 Mounting screws M2.5x6

Electrical connection technology, for AS-interface

Technical data – ASI-KVT



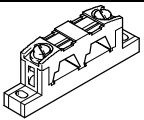
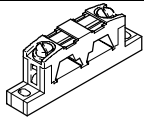
- Flat cable distributor for branching the AS-interface network at any desired point
- For parallel or symmetrical cable installation
- Reverse polarity protected



ASI-KVT-FK

ASI-KVT-FK-S

General technical data		ASI-KVT-FK	ASI-KVT-FK-S
Type		ASI-KVT-FK	ASI-KVT-FK-S
Mounting position		Any	
Version		Cable guide parallel	Cable guide symmetrical
Connection type		Insulation displacement technology	
Connection cross-section	[mm ²]	1.5	
Protection class		IP65	
Material of housing		Polyamide	
Material of contacts		Bronze	
Ambient temperature	[°C]	-5 ... +50	
Storage temperature	[°C]	-30 ... +85	

Ordering data							
	Type of mounting	Operating voltage range		Current-carrying capacity [A]	Product weight [g]	Type	Part No.
		[V]	[V]				
	2 screws M2.5	60 AC	75 DC	3	7.2	ASI-KVT-FK	18 786
						ASI-KVT-FK-S	

Electrical connection technology, for AS-interface

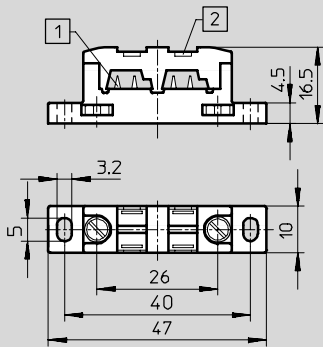
Technical data – ASI-KVT

FESTO

Dimensions

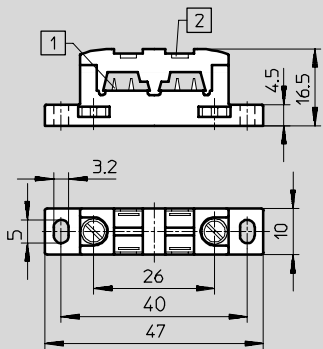
Download CAD data → www.festo.com/en/engineering

ASI-KVT-FK



- 1 Contact blades for flat cable contacting
- 2 Inscription label mounting options

ASI-KVT-FK-S



- 1 Contact blades for flat cable contacting
- 2 Inscription label mounting options

Electrical connection technology, for AS-interface

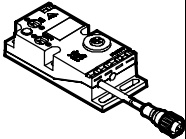
Technical data – ASI-KVT-FKx2



- Flat cable distributor for reconnection from AS-interface-flat cable to 4-pin M12 socket
- 2 connections: M12 socket with permanently attached cable, 1 m long, and M12 socket integrated in housing
- Reverse polarity protected



General technical data		
Type	ASI-KVT-FKx2-M12	
Mounting position	Any	
Connection cross-section	[mm ²]	4x 0.34
AS-interface connection	Connection type	AS-interface flat cable plug (must be ordered separately)
	Nominal voltage	[V] 26.5 ... 31.6 DC
	Residual ripple	[mVss] 20
24 V DC connection	Connection type	AS-interface flat cable plug (must be ordered separately)
	Nominal voltage	[V] 24 DC ±10%
	Residual ripple	[mVss] 4
Protection class to EN 60 529	IP65	
Material	Housing	Polyamide
	Cables	Polyurethane
Cable length	[mm]	1000
Ambient temperature	[°C]	-5 ... +50
Storage temperature	[°C]	-20 ... +70
Shock test	To DIN IEC 68; ±30 g at 11 ms, 15 cycles	
Continuous shock test	To DIN IEC 68; ±1.5 g at 6 ms, 1000 cycles	
Vibration test	To DIN IEC 68; 0.35 mm at 10 ... 60 Hz, 5 g at 60 ... 150 Hz	
Protection against direct and indirect contact	By PELV	

Ordering data				
View	Type of mounting	Product weight [g]	Type	Part No.
	AS-interface flat cable plug (must be ordered separately)	208	ASI-KVT-FKx2-M12	527 474

Electrical connection technology, for AS-interface

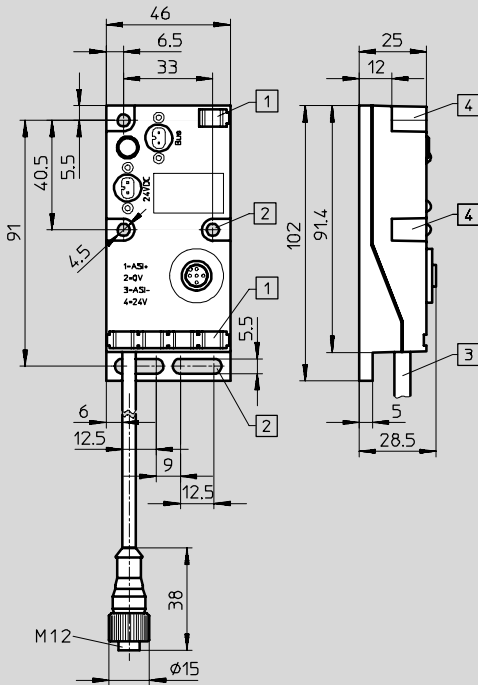
Technical data – ASI-KVT-FKx2



Dimensions

Download CAD data → www.festo.com/en/engineering

ASI-KVT-FKx2-M12

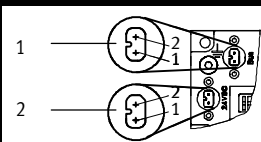


- 1 Inscription label mounting options
- 2 Mounting holes for surface mounting
- 3 Cable PUR-OB, 1 m long
- 4 Mounting holes for ITEM profile 40 mm or other mounting option

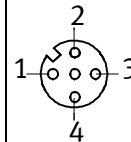
Pin allocation

AS-interface and additional power supply

5-pin M12-socket and socket on the cable



- 1 AS-interface bus
 - 1: + (light blue)
 - 2: - (brown)
- 2 Auxiliary power supply
 - 1: 0 V
 - 2: + 24 V DC



- Pin 1: AS-interface +
- Pin 2: 0 V (auxiliary power supply)
- Pin 3: AS-interface -
- Pin 4: +24 V (auxiliary power supply)
- Pin 5: Unused

Electrical connection technology, for AS-interface

Technical data – KASI



- Addressing cable for any slaves including
 - Individual valve interface
 - Midi/maxi valve terminal with AS-interface connection
 - CP valve terminals
- Cable length 2.5 m
- Pre-assembled
- Reverse polarity protected



General technical data		
Type	Type	KASI-ADR
Connection type		Plug-in/screw-in
Connection cross-section	[mm ²]	2x 1.5
Protection class		IP65
Material of plug, straight	Housing	Polybuteneterephthalate
	Contacts	Copper base alloy
	Union nut	Polybuteneterephthalate
Material of plug, angled	Housing	Polyurethane
	Contacts	Bronze
	Union nut	Nickel-plated brass
Material of flat cable socket	Housing	Polyamide
	Contacts	Bronze
Material of cable sheath		Rubber compound
Ambient temperature	[°C]	-40 ... +85

Ordering data						
View	Electrical connection	Operating voltage range		Current-carrying capacity [A]	Type	Part No.
		[V]	[V]			
	Plug, straight, 4-pin Plug, angled, 4-pin Socket, straight, 2-pin	60 AC	75 DC	3	KASI-ADR	18 960

Electrical connection technology, for AS-interface

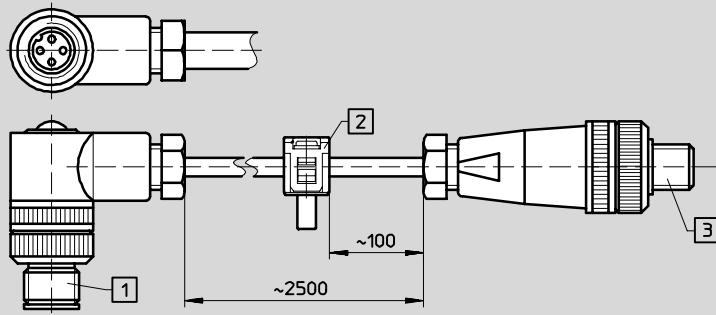
Technical data – KASI

FESTO

Dimensions

Download CAD data → www.festo.com/en/engineering

KASI-ADR



- 1 Round plug connector for connection to addressing device
- 2 Flat cable socket for connecting stations in the AS-interface network with plug-in connection
- 3 Flat cable socket with M12 connection plug for stations in the AS-interface network with M12 interface

Electrical connection technology, for AS-interface

Technical data – ASI-SS



- Configuration plug for master: the connector must be plugged into the master before the configuration process. The operating voltage can then be applied. If the plug is removed during operation of the master, the master configuration is stored in non-volatile memory.
- 2-pin



General technical data	
Type	ASI-SS-CONFIG
Mounting position	Any
Protection class	IP65
Material of contact	Bronze
Material of contact surface	Nickel-tin alloy
Material of housing	Polybuteneterephthalate
Operating temperature [°C]	-40 ... +85

Ordering data						
View	Type of mounting	Nominal voltage [V]	Nominal current per contact [A]	Product weight [g]	Type	Part No.
	Knurled screw	250 AC	3	10.7	ASI-SS-CONFIG	18 961

Dimensions Download CAD data → www.festo.com/en/engineering

ASI-SS-CONFIG

1 Protective cover

Electrical connection technology, for AS-interface

Technical data – KASI-1,5



- Flat cable, 2-core
- Reverse polarity protected
- Contact established using insulation displacement technology
 - no need to strip cable and wire insulation
- 2 different colours: yellow (preferred for the AS-interface network) and black (for auxiliary power supply)
- Pre-assembled

- Accessories
 - Flat cable sleeve
For insulating and sealing the AS-interface cable
 - Cable cap
For insulating and sealing the AS-interface cable at the end of the string



General technical data		
Type	KASI-1,5-Y-100	KASI-1,5-Z-100
Connection cross-section [mm ²]	2x 1.5	
Max. cable length [m]	100	
Colour	Yellow	Black
Use	For indoor use only	For outdoor use
Ambient temperature [°C]	-40 ... +85	
Ambient temperature of flexible cable installation [°C]	-25 ... +85	

Ordering data								
View	Material	Protection class	Operating voltage range		Current-carrying capacity [A]	Product weight [g]	Type	Part No.
			[V]	[V]				
	Sheath: Cable: Conductor: tin-plated copper	IP65 with closed wire ends	60 AC	75 DC	3	71	KASI-1,5-Y-100	18 940
							KASI-1,5-Z-100	18 941
	Polyamide	IP65	–	–	–	–	ASI-KT-FK	165 593
			–	–	–	–	ASI-KK-FK	18 787

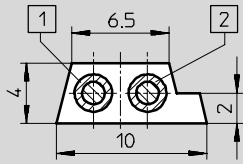
Electrical connection technology, for AS-interface

Technical data – KASI-1,5

Dimensions

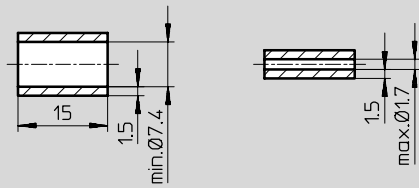
Download CAD data → www.festo.com/en/engineering

Flat cable – KASI-1,5-...-100



- 1 Blue (-)
- 2 Brown (+)

Flat cable sleeve – ASI-KT-FK



Cable cap – ASI-KK-FK

