

Do not use for new designs!
- 2 - Type to be discontinued

Solenoid valves MZBH/MEBH/MVH/MDH

FESTO



- Low power consumption
- With integrated QS push-in connectors
- Prefabricated plug sockets with cable
- 2 valve sizes can be mounted together

Directional control valves for standard applications
Directly actuated solenoid valves

2.6

Do not use for new designs!
 - 2 - Type to be discontinued

Solenoid valves MZBH/MEBH/MVH/MDH

Key features

FESTO

Flanged valve



MZBH
MOZBH



MEBH
MOEBH



MVH
MOVH



MDH
MODH



Individual sub-base valve



Manifold valve

Directional control valves for standard applications
 Directly actuated solenoid valves

2.6

- 1 - Width
10 ... 36 mm
- 2 - Flow rate
7.5 ... 113 l/min
- 3 - Voltage
5 V DC
12 V DC
24 V DC
24 V AC/50 ... 60 Hz
110 V AC/50 ... 60 Hz
230 V AC/50 ... 60 Hz
- Low power consumption
- 2/2-way valve, normally closed
- 3/2-way valve, normally closed or normally open
- Flanged valves
- Individual sub-base valves
- Manifold mounting to H-rail
- With integrated QS push-in connectors
- Prefabricated plug sockets with cable
- Manual override
- Manual override tool
- Inscription labels
- 2 valve sizes can be mounted together
- Plug sockets
→ 2 / 7.2-10
- Silencer
→ Volume 3
- Fittings
→ Volume 3
- Multi-pin plug distributor
→ 2 / 7.5-0

Do not use for new designs!
- 1 - Type to be discontinued

Solenoid valves MZBH/MEBH/MVH/MDH

Key features

FESTO

Variants

Flanged valve



Individual sub-base valve



Integrated QS push-in connectors
Through-holes for individual
mounting

Manifold valve

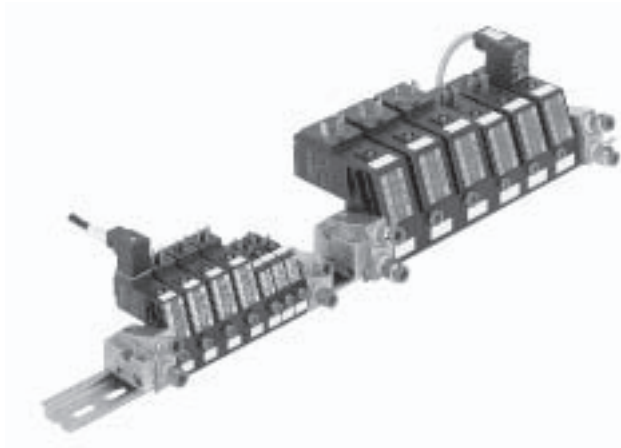


Integrated QS push-in connectors
Mounting on H-rail to
DIN EN 50 022, or with tie rod

End plate kit for manifold mounting



Mounting on H-rail to
DIN EN 50 022



Do not use for new designs!

- 1 - Type to be discontinued

Solenoid valves MZBH/MEBH/MVH/MDH

Technical data

FESTO

Solenoid valves MZBH/MOZBH				
		Flanged valve	Individual sub-base valve	Manifold valve
Operating medium		Filtered compressed air, lubricated or unlubricated Vacuum		
Design		Poppet valve, directly actuated		
Type of mounting		With mounting screw	Through-holes	H-rail
Connection	Valve	Flanged connection	QS-3	QS-3
	End plate kit	–		G $\frac{1}{8}$
Nominal size [mm]		0.5		
Standard nominal	MZBH	7.5		
flow rate [l/min]	MOZBH	7.5		
Operating pressure range [bar]		–0.9 ... +8		
Response time on/off [ms]	MZBH	4/3		
	MOZBH	5/4		
Ambient temperature [°C]		–5 ... +50		–5 ... +50
Temperature of medium [°C]		–5 ... +50		
Width [mm]		10	18.5	11
Materials		Housing, sub-base: Polymer; Seals: Nitrile rubber		
Weight [g]		24	32	26
Electrical data, ZB solenoid				
Operating voltage		5 V DC, 12 V DC, 24 V DC +10%/–15%		
Power consumption [W]		1		
Plug to EN 175301-803		–		
Protection class		IP 65 (EN 60 529)		
Solenoid valves MEBH/MOEBH				
		Flanged valve	Individual sub-base valve	Manifold valve
Operating medium		Filtered compressed air, lubricated or unlubricated Vacuum		
Design		Poppet valve, directly actuated		
Type of mounting		With mounting screw	Through-holes	H-rail
Connection	Valve	Flanged connection	QS-3	QS-3
	End plate kit	–		G $\frac{1}{8}$
Nominal size [mm]		0.9		
Standard nominal	MEBH	20		
flow rate [l/min]	MOEBH	22		
Operating pressure range [bar]		–0.9 ... +8		
Response time on/off [ms]	MEBH	5/5		
	MOEBH	4/3		
Ambient temperature [°C]		–5 ... +60		–5 ... +50
Temperature of medium [°C]		–5 ... +50		
Width [mm]		18	26.5	19
Materials		Housing, sub-base: Polymer; Seals: Nitrile rubber		
Weight [g]		56	71	71
Electrical data, EB solenoid				
Operating voltage		5 V DC, 12 V DC/24 V AC, 24 V DC +10%/–15%		
Power consumption	D.C. voltage [W]	1.5		
	A.C. voltage [VA]	Hold: 2.4 Pull: 3		
Plug to EN 175301-803		Type C		
Protection class		IP 65 (EN 60 529)		

Do not use for new designs!

- 1 - Type to be discontinued

Solenoid valves MZBH/MEBH/MVH/MDH

Technical data

FESTO

Solenoid valves MVH/MOVH		Flanged valve	Individual sub-base valve	Manifold valve
Operating medium		Filtered compressed air, lubricated or unlubricated Vacuum		
Design		Poppet valve, directly actuated		
Type of mounting		With mounting screw	Through-holes	H-rail
Connection	Valve	Flanged connection	QS-4	QS-4
	End plate kit	-		G1/4
Nominal size [mm]	MVH/MOVH...-1,35	1.35		
	MVH/MOVH...-1,7	1.7		
Standard nominal flow rate [l/min]	MVH...-1,35	50		
	MOVH...-1,35	50		
	MVH...-1,7	70		
	MOVH...-1,7	60		
Operating pressure range [bar]		-0.9 ... +8		
Response time on/off [ms]	MVH...-1,35	9/3		
	MOVH...-1,35	9/5		
	MVH...-1,7	8/5		
	MOVH...-1,7	8/5		
Ambient temperature [°C]		-5 ... +60		-5 ... +50
Temperature of medium [°C]		-5 ... +50		
Width [mm]		26	36	30
Materials		Housing, sub-base: Polymer; Seals: Nitrile rubber		
Weight [g]		230	240	250
Electrical data, V solenoid				
Operating voltage		12 V DC/24 V AC, 24 V DC +10%/-15%		
Power consumption	D.C. voltage [W]	2.5		
	A.C. voltage [VA]	Hold: 8 Pull: 12		
Plug to EN 175301-803		Type B		
Protection class		IP 65 (EN 60 529)		

Directional control valves for standard applications
Directly actuated solenoid valves

2.6

Do not use for new designs!
 - Type to be discontinued

Solenoid valves MZBH/MEBH/MVH/MDH

Technical data

FESTO

Solenoid valves MDH/MODH		Flanged valve	Individual sub-base valve	Manifold valve
Operating medium		Filtered compressed air, lubricated or unlubricated Vacuum		
Design		Poppet valve, directly actuated		
Type of mounting		With mounting screw	Through-holes	H-rail
Connection	Valve	Flanged connection	QS-6	QS-6
	End plate kit	–		G $\frac{1}{4}$
Nominal size [mm]		2.2		
Standard nominal	MDH	113		
flow rate [l/min]	MODH	96		
Operating pressure range [bar]		–0.9 ... +8		
Response time on/off [ms]	MDH	11/9		
	MODH	10/15		
Ambient temperature [°C]		–5 ... +60	–5 ... +50	
Temperature of medium [°C]		–5 ... +50		
Width [mm]		32	42	36
Materials		Housing, sub-base: Polymer Seals: Nitrile rubber		
Weight [g]		340	370	370
Electrical data, D solenoid				
Operating voltage		12 V DC, 24 V AC, 24 V DC, 110 V AC, 230 V AC +10%/–15%		
Power consumption	D.C. voltage [W]	6 W		
	A.C. voltage [VA]	Hold: 8 Pull: 12		
Plug to EN 175301-803		Type A		
Protection class		IP 65 (EN 60 529)		

Do not use for new designs!
 - Type to be discontinued

Solenoid valves MZBH/MEBH/MVH/MDH

Technical data

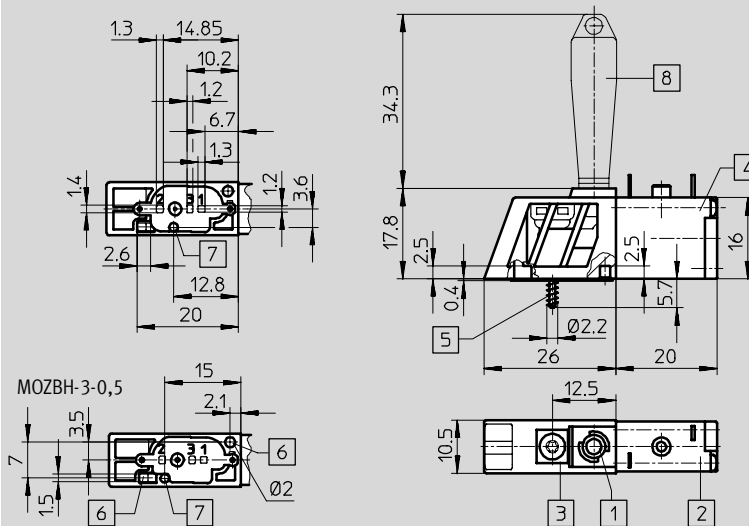
FESTO

Dimensions – 3/2-way valve, nominal size 0.5 mm

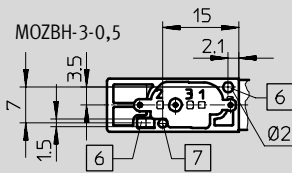
Download CAD data → www.festo.com/en/engineering

Flanged valve MZBH/MOZBH

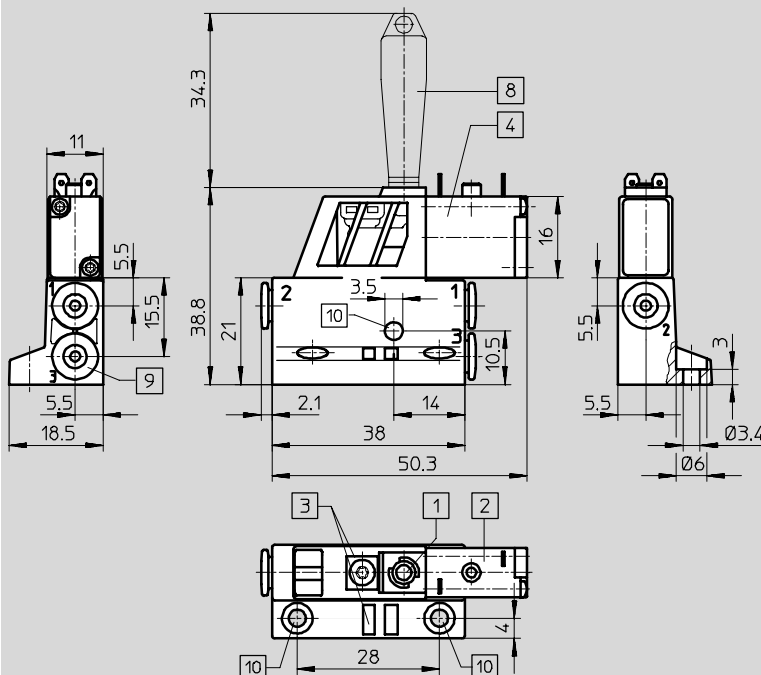
MZBH-3-0,5



MOZBH-3-0,5



Individual sub-base valve MZBH/MOZBH



- | | | | |
|---|--|---|--|
| <p>1 Manual override, resetting</p> <p>2 Connection for plug socket</p> <p>3 Location for inscription labels</p> <p>4 Solenoid coil can be repositioned 180° (only with flanged valves)</p> | <p>5 Mounting screw for plastic plate: 1.65 mm core diameter, self-tapping threads (included in scope of delivery) for metal plate: M2 screw</p> <p>6 Centring options</p> | <p>7 1.7 mm diameter for setting encoding pins for differentiation between types MZBH and MOZBH</p> <p>8 Manual override tool, detenting (not included in scope of delivery)</p> <p>9 Tubing connector QS-3</p> | <p>10 Through-holes for M3 mounting screws</p> |
|---|--|---|--|

Directional control valves for standard applications
 Directly actuated solenoid valves

2.6

Do not use for new designs!
 - Type to be discontinued

Solenoid valves MZBH/MEBH/MVH/MDH

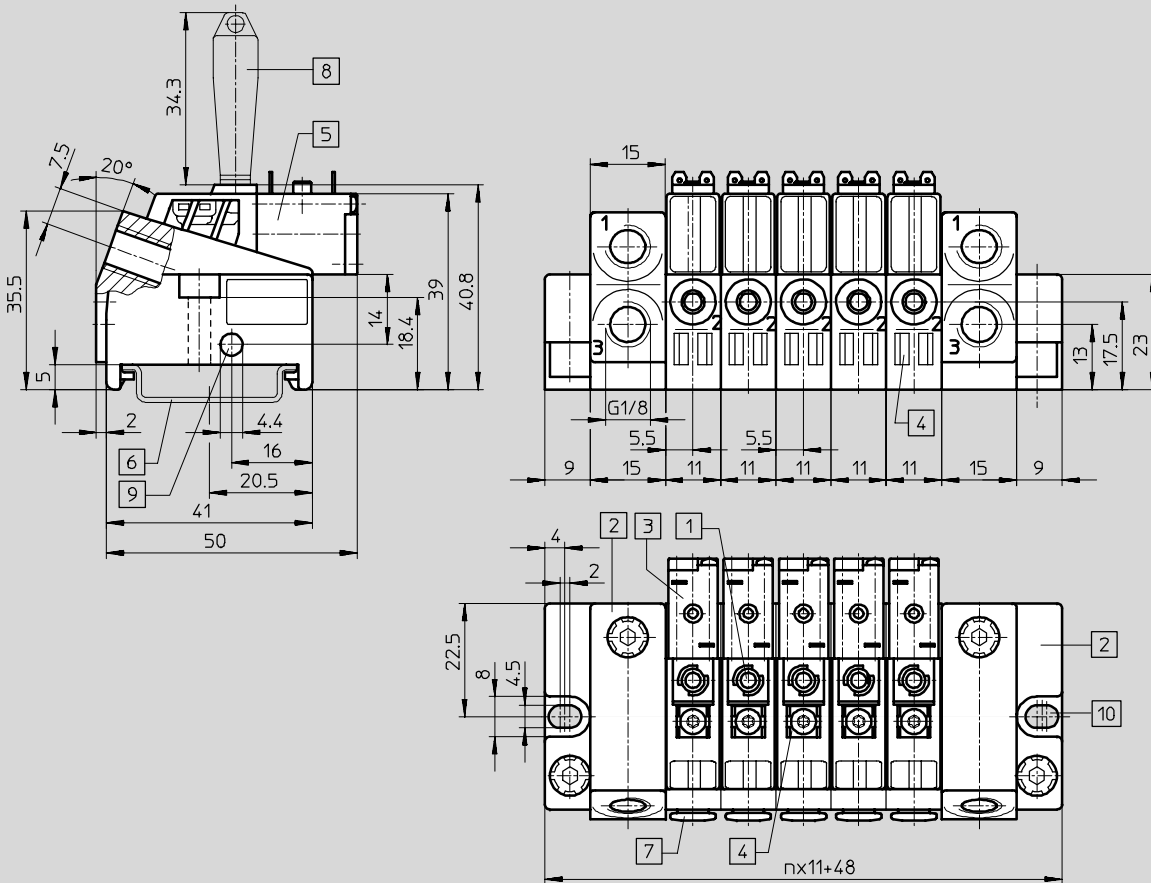
Technical data

FESTO

Dimensions – 3/2-way valve, nominal size 0.5 mm

Download CAD data → www.festo.com/en/engineering

Manifold valve MZBH/MOZBH



- | | |
|--|---|
| 1 Manual override, resetting | 7 Tubing connector QS-3 |
| 2 End plate kit | 8 Manual override tool, detenting (not included in scope of delivery) |
| 3 Connection for plug socket | 9 Through-holes for self-configured M4 tie rod |
| 4 Location for inscription labels | 10 Mounting holes for use with tie rods |
| 5 Solenoid coil can be repositioned 180° | |
| 6 H-rail to DIN EN 50 022 | |

n = Number of valves

Valve types MZBH and MEBH can be combined with one another for manifold assembly.

Do not use for new designs!
 - Type to be discontinued

Solenoid valves MZBH/MEBH/MVH/MDH

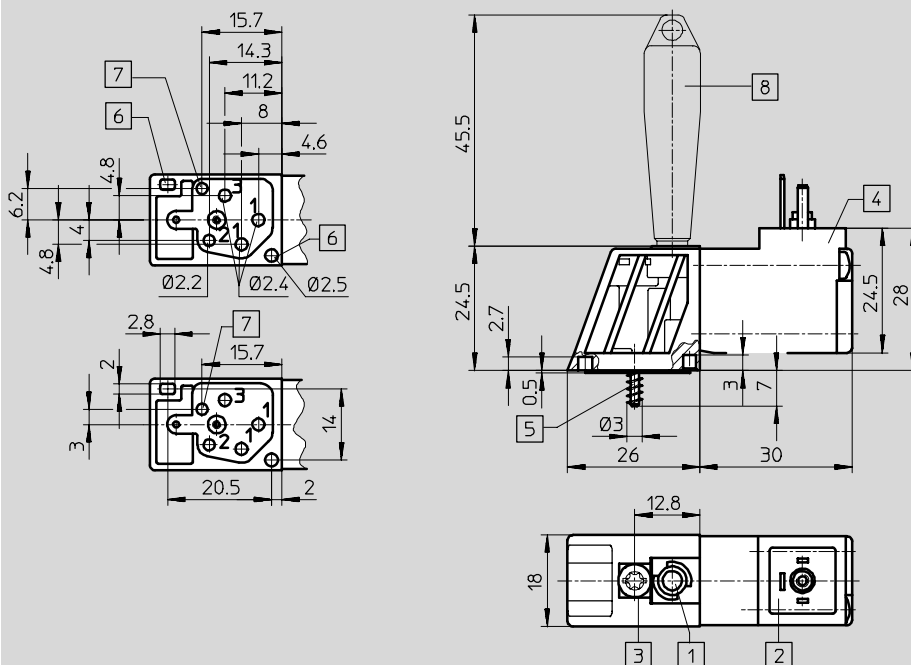
Technical data

FESTO

Dimensions – 2/2-way and 3/2-way valves, nominal size 0.9 mm

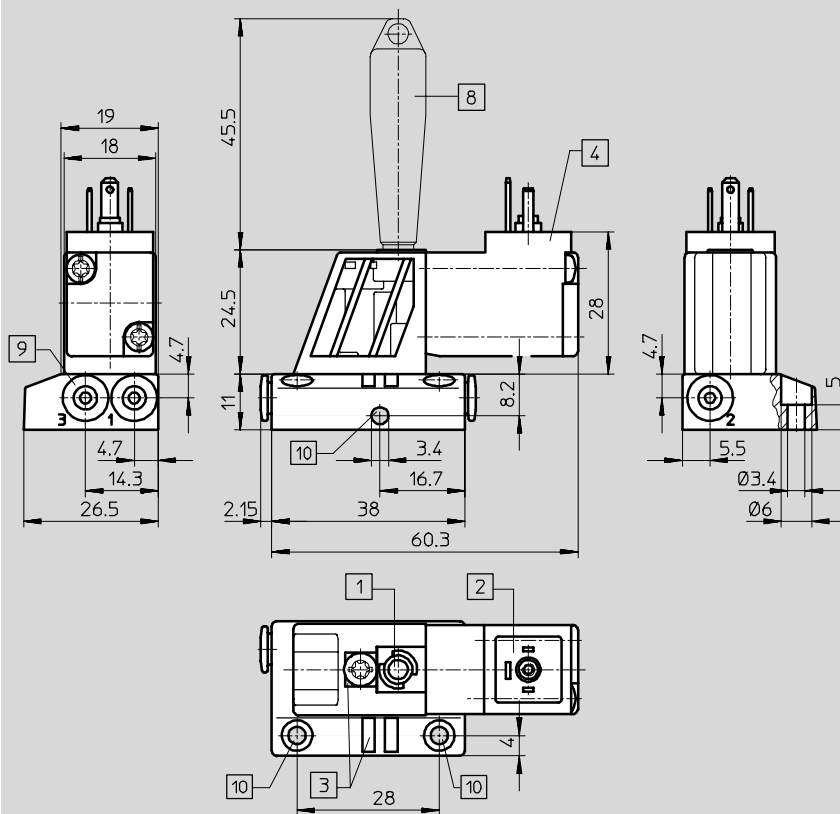
Download CAD data → www.festo.com/en/engineering

Flanged valve



- 1 Manual override, resetting
- 2 Wiring at plug socket to EN 175301-803, type C
- 3 Location for inscription labels
- 4 Solenoid coil can be repositioned 180° (only with flanged valves)
- 5 Mounting screw for plastic plate: 2.3 mm core diameter, self-tapping threads (included in scope of delivery) for metal plate: M3 screw
- 6 Centring options
- 7 2.2 mm diameter for setting encoding pins for differentiation between types MEBH and MOEBH
- 8 Manual override tool, detenting (not included in scope of delivery)

Individual sub-base valve MEBH/MOEBH



- 1 Manual override, resetting
- 2 Wiring at plug socket to EN 175301-803, type C
- 3 Location for inscription labels
- 4 Solenoid coil can be repositioned 180° (only with flanged valves)
- 8 Manual override tool, detenting (not included in scope of delivery)
- 9 Tubing connector QS-3
- 10 Through-holes for M3 mounting screws

Directional control valves for standard applications
 Directly actuated solenoid valves

2.6

Do not use for new designs!
 - Type to be discontinued

Solenoid valves MZBH/MEBH/MVH/MDH

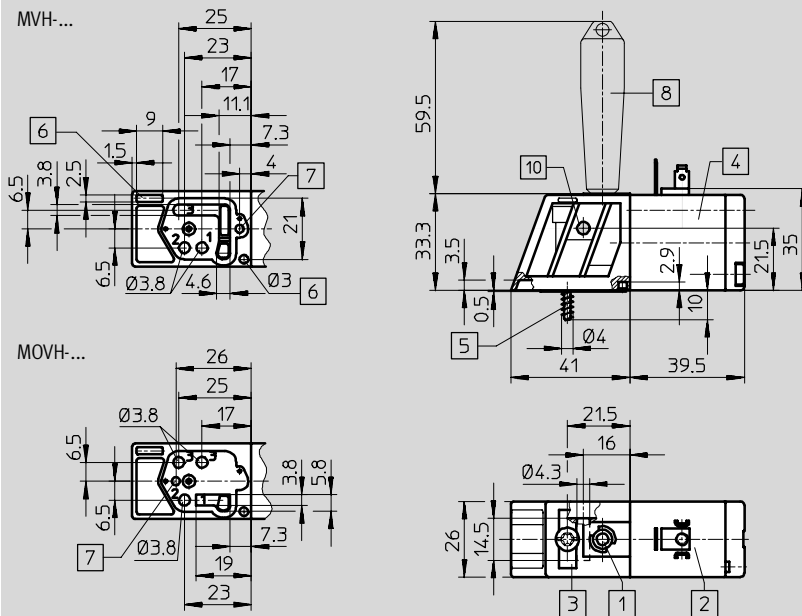
Technical data

FESTO

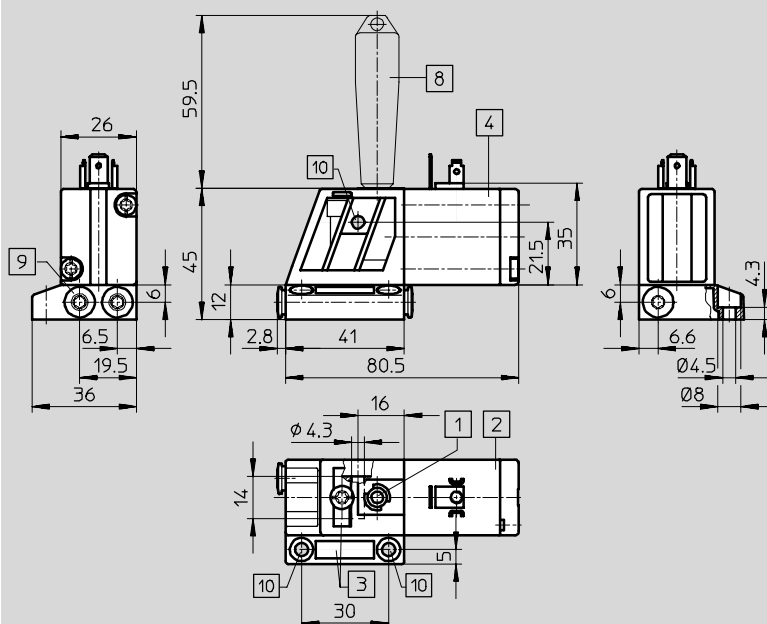
Dimensions – 2/2-way and 3/2-way valves, nominal size 1.35 and 1.7 mm

Download CAD data → www.festo.com/en/engineering

Flanged valve MVH/MOVH



Individual sub-base valve MVH/MOVH



- | | | | |
|--|--|--|--|
| 1 Manual override, resetting | 4 Solenoid coil can be repositioned 180° (only with flanged valves, the coil cover must not be turned with the coil) | 5 Mounting screw for plastic plate: 3 mm core diameter, self-tapping threads (included in scope of delivery) for metal plate: M4 screw | 6 Centring options |
| 2 Wiring at plug socket to EN 175301-803, type B | | | 7 2.8 mm diameter for setting encoding pins for differentiation between types MVH and MOVH |
| 3 Location for inscription labels | | | 8 Manual override tool, detenting (not included in scope of delivery) |
| | | | 9 Tubing connector QS-4 |
| | | | 10 Through-holes for M4 mounting screws |

Directional control valves for standard applications
 Directly actuated solenoid valves

2.6

Do not use for new designs!
 Type to be discontinued

Solenoid valves MZBH/MEBH/MVH/MDH

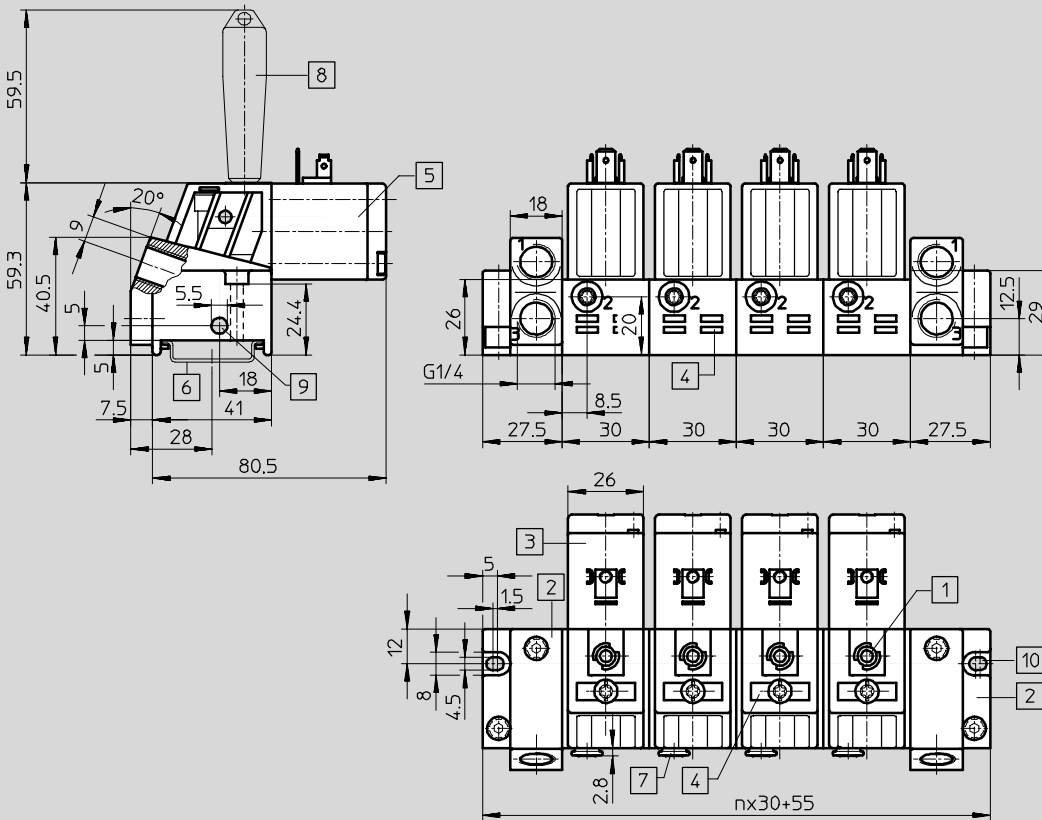
Technical data

FESTO

Dimensions – 2/2-way and 3/2-way valves, nominal size 1.35 and 1.7 mm

Download CAD data → www.festo.com/en/engineering

Manifold valve MVH/MOVH



- 1 Manual override, resetting
- 2 End plate kit
- 3 Wiring at plug socket to EN 175301-803, type B
- 4 Location for inscription labels
- 5 Solenoid coil can be repositioned 180°

- 6 H-rail to DIN EN 50 022
- 7 Tubing connector QS-4
- 8 Manual override tool, detenting (not included in scope of delivery)
- 9 Through-holes for self-configured M5 tie rod
- 10 Mounting holes for use with tie rods

n = Number of valves

Valve types MVH and MDH can be combined with one another for manifold assembly.

Do not use for new designs!
 - Type to be discontinued

FESTO

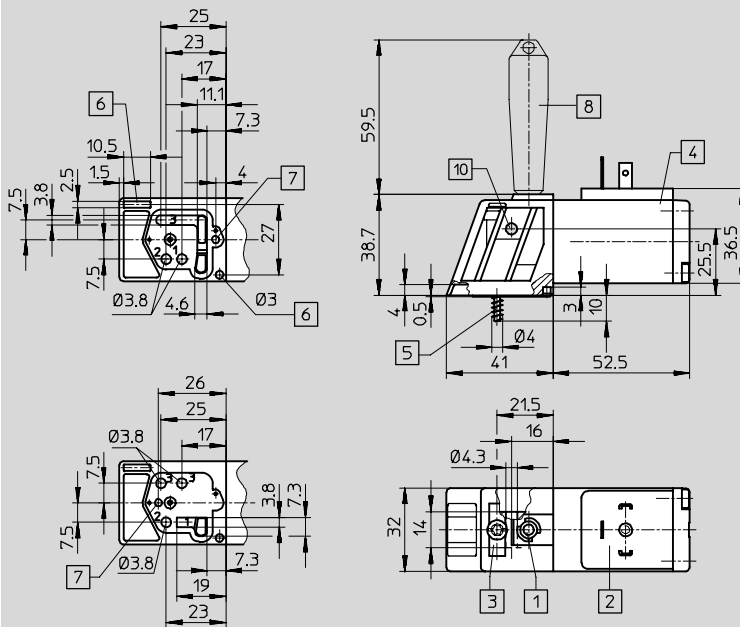
Solenoid valves MZBH/MEBH/MVH/MDH

Technical data

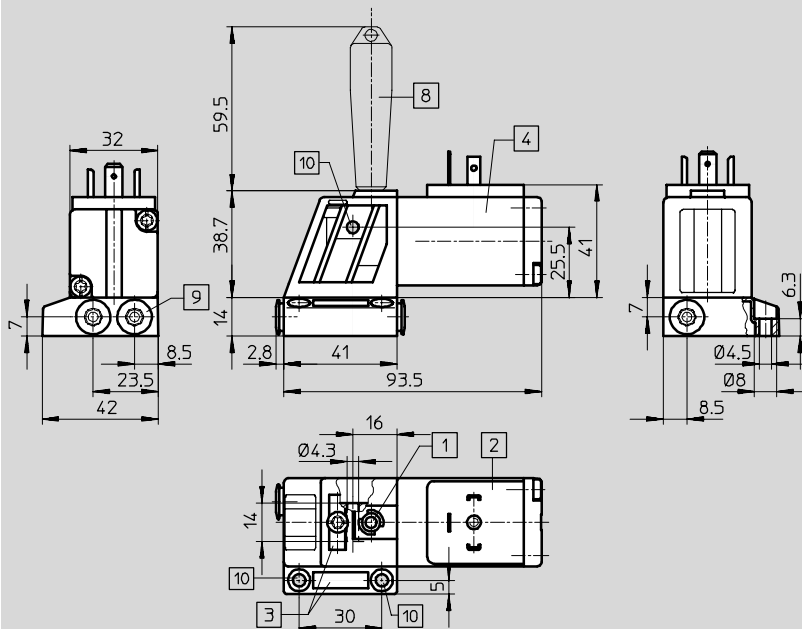
Dimensions – 2/2-way and 3/2-way valves, nominal size 2.2 mm

Download CAD data → www.festo.com/en/engineering

Flanged valve MDH/MODH



Individual sub-base valve MDH/MODH



- | | | |
|---|--|--|
| 1 Manual override, resetting | 5 Mounting screw for plastic plate: 3 mm core diameter, self-tapping threads (included in scope of delivery) | 7 2.8 mm diameter for setting encoding pins for differentiation between types MDH and MODH |
| 2 Wiring at plug socket to EN 175301-803, type A | 6 Centring options | 8 Manual override tool, detenting (not included in scope of delivery) |
| 3 Location for inscription labels | | 9 Tubing connector QS-6 |
| 4 Solenoid coil can be repositioned 180° (only with flanged valves) | | 10 Through-holes for M4 mounting screws |

Directional control valves for standard applications
 Directly actuated solenoid valves

2.6

Do not use for new designs!
 - Type to be discontinued

Solenoid valves MZBH/MEBH/MVH/MDH

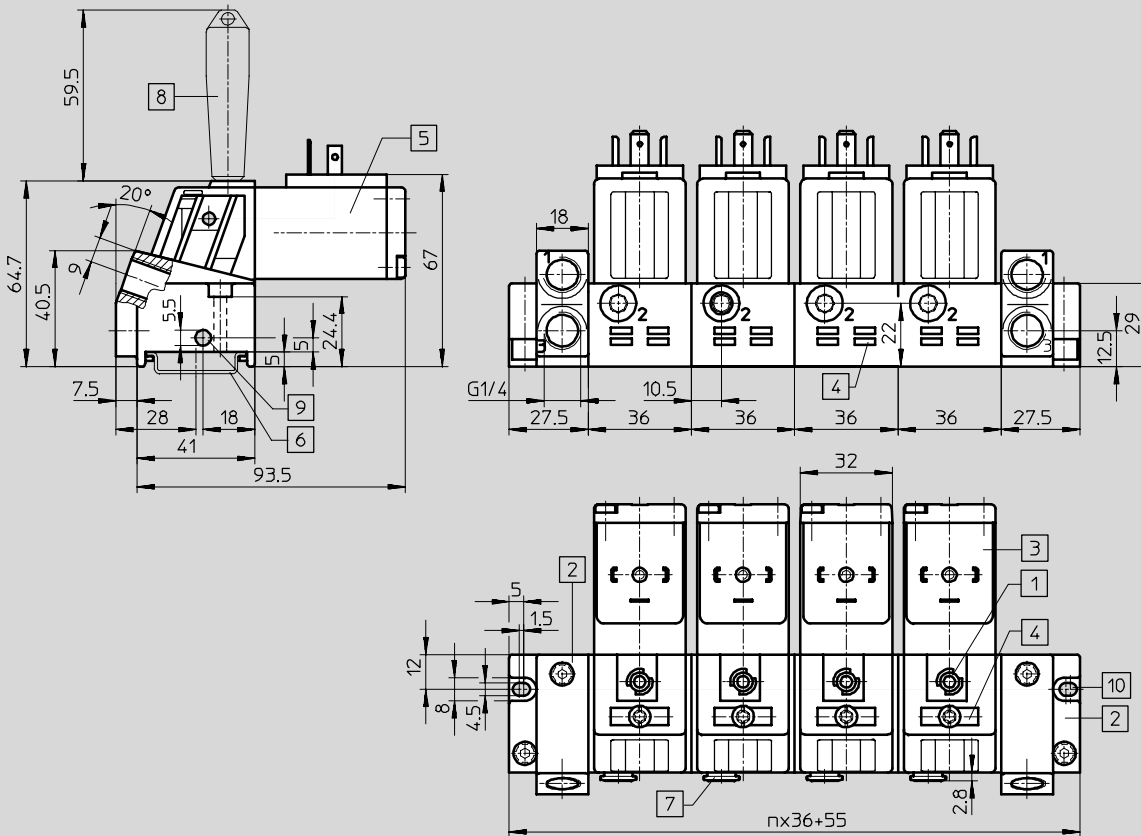
Technical data

FESTO

Dimensions – 2/2-way and 3/2-way valves, nominal size 2.2 mm

Download CAD data → www.festo.com/en/engineering


Manifold valve MDH/MODH



- | | |
|--|---|
| 1 Manual override, resetting | 6 H-rail to DIN EN 50 022 |
| 2 End plate kit | 7 Tubing connector QS-6 |
| 3 Wiring at plug socket to EN 175301-803, type A | 8 Manual override tool, detenting (not included in scope of delivery) |
| 4 Location for inscription labels | 9 Through-holes for self-configured M5 tie rod |
| 5 Solenoid coil can be repositioned 180° | 10 Mounting holes for use with tie rods |

n = Number of valves

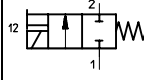
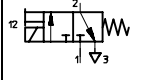
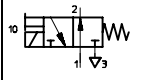
Valve types MVH and MDH can be combined with one another for manifold assembly.

Do not use for new designs!
 - Type to be discontinued

Solenoid valves MZBH/MEBH/MVH/MDH

FESTO

Technical data

Ordering data – Valves			
	Description	ZB solenoid	EB solenoid
		Nominal size: 0.5 mm Part No. Type	Nominal size: 0.9 mm Part No. Type
2/2-way valves			
Normally closed 	Flanged valve	–	170 041 MEBH-2-0,9-5DC 170 042 MEBH-2-0,9- 12DC/24AC 157 526 MEBH-2-0,9
	Individual sub-base valve	–	170 037 MEBH-2-0,9-QS-3-5DC 170 038 MEBH-2-0,9-QS-3-12DC/24AC 157 527 MEBH-2-0,9-QS-3
	Manifold valve	–	170 039 MEBH-2-0,9-AW-QS-3-5DC 170 040 MEBH-2-0,9-AW-QS-3-12DC/24AC 157 528 MEBH-2-0,9-AW-QS-3
3/2-way valves			
Normally closed 	Flanged valve	170 008 MZBH-3-0,5-5DC 170 013 MZBH-3-0,5-12DC 157 520 MZBH-3-0,5	170 035 MEBH-3-0,9-5DC 170 036 MEBH-3-0,9- 12DC/24AC 157 529 MEBH-3-0,9
	Individual sub-base valve	170 009 MZBH-3-0,5-QS-3-5DC 170 010 MZBH-3-0,5-QS-3-12DC 157 522 MZBH-3-0,5-QS-3	170 031 MEBH-3-0,9-QS-3-5DC 170 032 MEBH-3-0,9-QS-3-12DC/24AC 157 531 MEBH-3-0,9-QS-3
	Manifold valve	170 011 MZBH-3-0,5-AW-QS-3-5DC 170 012 MZBH-3-0,5-AW-QS-3-12DC 157 524 MZBH-3-0,5-AW-QS-3	170 033 MEBH-3-0,9-AW-QS-3-5DC 170 034 MEBH-3-0,9-AW-QS-3-12DC/24AC 157 533 MEBH-3-0,9-AW-QS-3
Normally open 	Flanged valve	170 018 MOZBH-3-0,5-5DC 170 019 MOZBH-3-0,5-12DC 157 521 MOZBH-3-0,5	170 029 MOEBH-3-0,9-5DC 170 030 MOEBH-3-0,9-12DC/24AC 157 530 MOEBH-3-0,9
	Individual sub-base valve	170 014 MOZBH-3-0,5-QS-3-5DC 170 015 MOZBH-3-0,5-QS-3-12DC 157 523 MOZBH-3-0,5-QS-3	170 020 MOEBH-3-0,9-QS-3-5DC 170 022 MOEBH-3-0,9-QS-3-12DC/24AC 157 532 MOEBH-3-0,9-QS-3
	Manifold valve	170 016 MOZBH-3-0,5-AW-QS-3-5DC 170 017 MOZBH-3-0,5-AW-QS-3-12DC 157 525 MOZBH-3-0,5-AW-QS-3	170 021 MOEBH-3-0,9-AW-QS-3-5DC 170 028 MOEBH-3-0,9-AW-QS-3-12DC/24AC 157 534 MOEBH-3-0,9-AW-QS-3

Code	Voltage
5DC	5 V DC
12DC	12 V DC
if not otherwise specified	24 V DC
12DC/24AC	12 V DC / 24 V AC

Directional control valves for standard applications
 Directly actuated solenoid valves

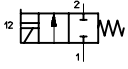
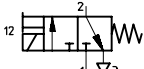
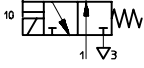
2.6

Do not use for new designs!
 - Type to be discontinued

Solenoid valves MZBH/MEBH/MVH/MDH

Technical data

FESTO

Ordering data – Valves					
	Description	V solenoid Nominal size: 1.35 mm		V solenoid Nominal size: 1.7 mm	
		Part No.	Type	Part No.	Type
2/2-way valves					
Normally closed 	Flanged valve	170 048 MVH-2-1,35-12DC/24AC 157 535 MVH-2-1,35		170 057 MVH-2-1,7-12DC/24AC 157 544 MVH-2-1,7 157 545 MVH-2-1,7-110AC 157 546 MVH-2-1,7-230AC	
	Individual sub-base valve	170 046 MVH-2-1,35-QS-4-12DC/24AC 157 536 MVH-2-1,35-QS-4		170 056 MVH-2-1,7-QS-4-12DC/24AC 157 547 MVH-2-1,7-QS-4 157 548 MVH-2-1,7-QS-4-110AC 157 549 MVH-2-1,7-QS-4-230AC	
	Manifold valve	170 047 MVH-2-1,35-AW-QS-4-12DC/24AC 157 537 MVH-2-1,35-AW-QS-4		170 055 MVH-2-1,7-AW-QS-4-12DC/24AC 157 550 MVH-2-1,7-AW-QS-4 157 551 MVH-2-1,7-AW-QS-4-110AC 157 552 MVH-2-1,7-AW-QS-4-230AC	
3/2-way valves					
Normally closed 	Flanged valve	170 045 MVH-3-1,35-12DC/24AC 157 538 MVH-3-1,35		170 054 MVH-3-1,7-12DC/24AC 157 553 MVH-3-1,7 157 554 MVH-3-1,7-110AC 157 555 MVH-3-1,7-230AC	
	Individual sub-base valve	170 043 MVH-3-1,35-QS-4-12DC/24AC 157 540 MVH-3-1,35-QS-4		170 052 MVH-3-1,7-QS-4-12DC/24AC 157 559 MVH-3-1,7-QS-4 157 560 MVH-3-1,7-QS-4-110AC 157 561 MVH-3-1,7-QS-4-230AC	
	Manifold valve	170 044 MVH-3-1,35-AW-QS-4-12DC/24AC 157 542 MVH-3-1,35-AW-QS-4		170 053 MVH-3-1,7-AW-QS-4-12DC/24AC 157 565 MVH-3-1,7-AW-QS-4 157 566 MVH-3-1,7-AW-QS-4-110AC 157 567 MVH-3-1,7-AW-QS-4-230AC	
Normally open 	Flanged valve	170 051 MOVH-3-1,35-12DC/24AC 157 539 MOVH-3-1,35		170 060 MOVH-3-1,7-12DC/24AC 157 556 MOVH-3-1,7 157 557 MOVH-3-1,7-110AC 157 558 MOVH-3-1,7-230AC	
	Individual sub-base valve	170 049 MOVH-3-1,35-QS-4-12DC/24AC 157 541 MOVH-3-1,35-QS-4		170 058 MOVH-3-1,7-QS-4-12DC/24AC 157 562 MOVH-3-1,7-QS-4 157 563 MOVH-3-1,7-QS-4-110AC 157 564 MOVH-3-1,7-QS-4-230AC	
	Manifold valve	170 050 MOVH-3-1,35-AW-QS-4-12DC/24AC 157 543 MOVH-3-1,35-AW-QS-4		170 059 MOVH-3-1,7-AW-QS-4-12DC/24AC 157 568 MOVH-3-1,7-AW-QS-4 157 569 MOVH-3-1,7-AW-QS-4-110AC 157 570 MOVH-3-1,7-AW-QS-4-230AC	

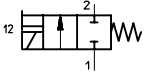
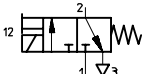
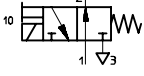
Code	Voltage
5DC	5 V DC
12DC	12 V DC
if not otherwise specified	24 V DC
12DC/24AC	12 V DC / 24 V AC
24AC	24 V AC
110AC	110 V AC
230AC	230 V AC

Do not use for new designs!
 - Type to be discontinued

Solenoid valves MZBH/MEBH/MVH/MDH

Technical data

FESTO

Ordering data – Valves			
	Description	D solenoid Nominal size: 2.2 mm Part No. Type	
2/2-way valves			
Normally closed 	Flanged valve	170 078	MDH-2-2,2-12DC
		170 077	MDH-2-2,2-24AC
		157 571	MDH-2-2,2
		157 572	MDH-2-2,2-110AC
		157 573	MDH-2-2,2-230AC
	Individual sub-base valve	170 074	MDH-2-2,2-QS-6-12DC
		170 073	MDH-2-2,2-QS-6-24AC
		157 574	MDH-2-2,2-QS-6
		157 575	MDH-2-2,2-QS-6-110AC
157 576	MDH-2-2,2-QS-6-230AC		
Manifold valve	170 076	MDH-2-2,2-AW-QS-6-12DC	
	170 075	MDH-2-2,2-AW-QS-6-24AC	
	157 577	MDH-2-2,2-AW-QS-6	
	157 578	MDH-2-2,2-AW-QS-6-110AC	
	157 579	MDH-2-2,2-AW-QS-6-230AC	
3/2-way valves			
Normally closed 	Flanged valve	170 072	MDH-3-2,2-12DC
		170 071	MDH-3-2,2-24AC
		157 580	MDH-3-2,2
		157 581	MDH-3-2,2-110AC
		157 582	MDH-3-2,2-230AC
	Individual sub-base valve	170 068	MDH-3-2,2-QS-6-12DC
		170 067	MDH-3-2,2-QS-6-24AC
		157 586	MDH-3-2,2-QS-6
		157 587	MDH-3-2,2-QS-6-110AC
	157 588	MDH-3-2,2-QS-6-230AC	
	Manifold valve	170 070	MDH-3-2,2-AW-QS-6-12DC
		170 069	MDH-3-2,2-AW-QS-6-24AC
		157 592	MDH-3-2,2-AW-QS-6
		157 593	MDH-3-2,2-AW-QS-6-110AC
		157 594	MDH-3-2,2-AW-QS-6-230AC
Normally open 	Flanged valve	170 066	MODH-3-2,2-12DC
		170 065	MODH-3-2,2-24AC
		157 583	MODH-3-2,2
		157 584	MODH-3-2,2-110AC
		157 585	MODH-3-2,2-230AC
	Individual sub-base valve	170 062	MODH-3-2,2-QS-6-12DC
		170 061	MODH-3-2,2-QS-6-24AC
		157 589	MODH-3-2,2-QS-6
		157 590	MODH-3-2,2-QS-6-110AC
	157 591	MODH-3-2,2-QS-6-230AC	
	Manifold valve	170 064	MODH-3-2,2-AW-QS-6-12DC
		170 063	MODH-3-2,2-AW-QS-6-24AC
		157 595	MODH-3-2,2-AW-QS-6
		157 596	MODH-3-2,2-AW-QS-6-110AC
		157 597	MODH-3-2,2-AW-QS-6-230AC

Directional control valves for standard applications
 Directly actuated solenoid valves

2.6

Solenoid valves MZBH/MEBH/MVH/MDH

FESTO

Accessories

Ordering data – Accessories				
	ZB solenoid		EB solenoid	
	Part No.	Type	Part No.	Type
End plate kit for manifold assembly	157 598	EP-MZB/MEB-3-1/8	157 598	EP-MZB/MEB-3-1/8
H-rail to DIN EN 50 022 (2 m)	35 430	NRH-35-2000	35 430	NRH-35-2000
Manual override tool	157 600	AHB-MZB	157 601	AHB-MEB
Plug socket	185 521	MSSD-ZBZC	151 687	MSSD-EB
Luminescent seal	–		151 717	MEB-LD-12...24
Plug socket with PVC cable				
Port pattern to EN 175301-803 type C				
2.5 m for 24 V DC	–		151 688	KMEB-1-24-2,5-LED
for 0 ... 240 V	–		151 690	KMEB-1-220/230-2,5
5 m for 24 V DC	–		151 689	KMEB-1-24-5-LED
for 0 ... 240 V	–		151 691	KMEB-1-220/230-5
Plug socket with PUR cable				
Port pattern to EN 175301-803 type C				
2.5 m for 24 V DC	–		174 844	KMEB-2-24-2,5-LED
for 0 ... 240 V	–		174 846	KMEB-2-230-2,5
5 m for 24 V DC	–		174 845	KMEB-2-24-5-LED
for 0 ... 240 V	–		174 847	KMEB-2-230-5
Plug socket with PVC cable				
2.5 m for 24 V DC	34 997	KMYZ-2-24-2,5-LED	–	
5 m for 24 V DC	34 998	KMYZ-2-24-5-LED	–	
0.5 m for 24 V DC	185 519	KMYZ-4-24-0,5	–	
2.5 m for 24 V DC	185 520	KMYZ-4-24-2,5	–	
Inscription label (scope of delivery includes 64 pieces)	18 576	IBS-6x10	18 576	IBS-6x10

	V solenoid		D solenoid	
	Part No.	Type	Part No.	Type
End plate kit for manifold assembly	157 599	EP-MD/MV-3-1/4	157 599	EP-MD/MV-3-1/4
H-rail to DIN EN 50 022 (2 m)	35 430	NRH-35-2000	35 430	NRH-35-2000
Manual override tool	157 651	AHB-MD/MF/MV	157 651	AHB-MD/MF/MV
Plug socket	33 295	MSSD-V	34 583	MSSD-C
Luminescent seal				
for 12 ... 24 V	35 558	MV-LD-12...24	19 145	MC-LD-12...24
for 230 V	151 716	MV-LD-230	19 146	MC-LD-230
Plug socket with PVC cable				
2.5 m for 24 V DC	30 939	KMV-1-24-2,5-LED	30 931	KMC-1-24-2,5-LED
for 0 ... 240 V	30 940	KMV-1-220/230-2,5	30 932	KMC-1-220/230-2,5
5 m for 24 V DC	30 941	KMV-1-24-5-LED	30 933	KMC-1-24-5-LED
for 0 ... 240 V	30 942	KMV-1-220/230-5	30 934	KMC-1-220/230-5
Inscription label (scope of delivery includes 20 pieces)	250 702	IBS-9x20	250 702	IBS-9x20

Directional control valves for standard applications
Directly actuated solenoid valves

2.6