



- Variable end-position adjustment at both ends
- Backlash-free power transmission
- Wide choice of mounting options

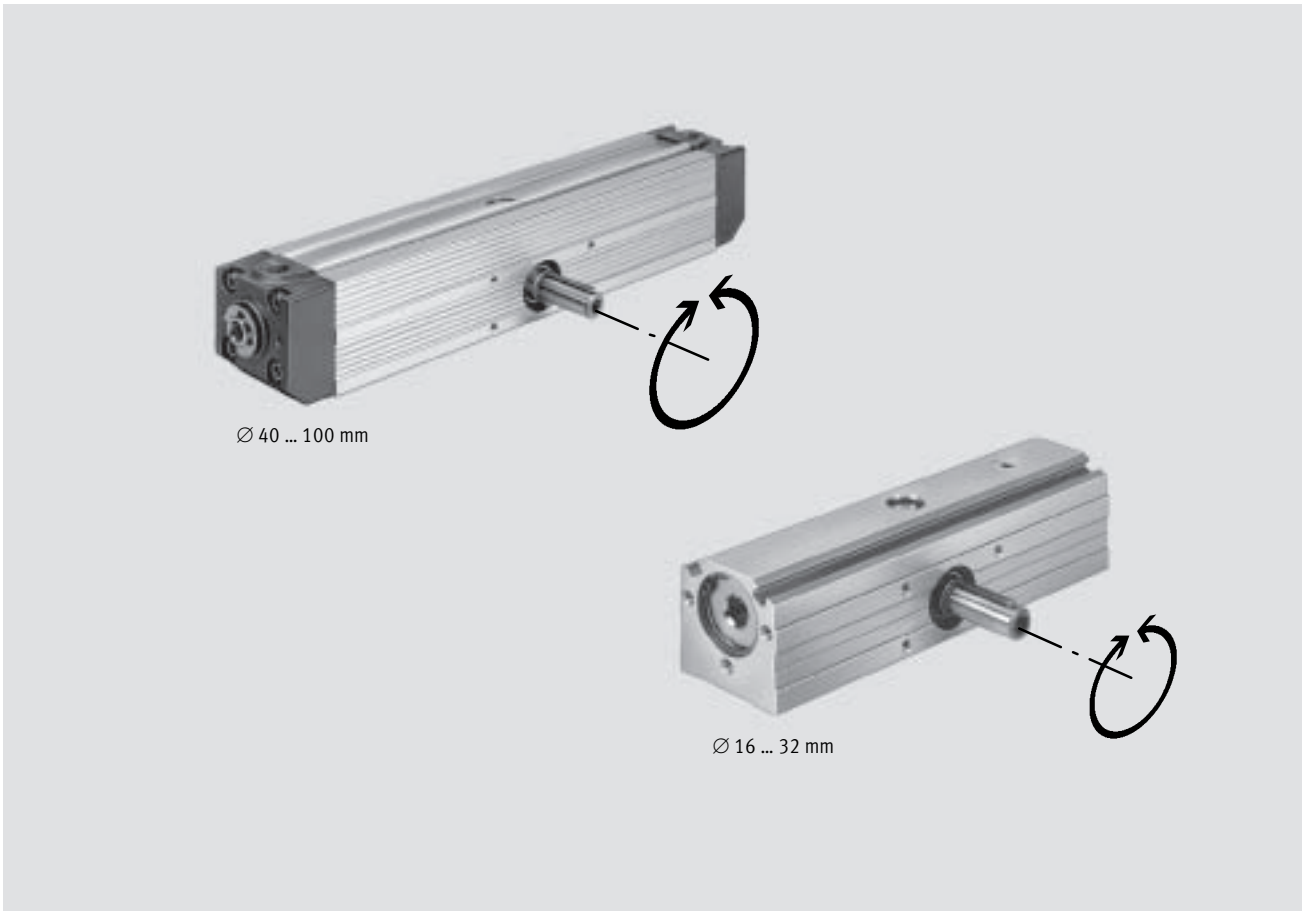
Semi-rotary drives DRQ

Features

FESTO

Swivel drives
Semi-rotary rack and pinion drives

4.2



Rotating and swivelling

The linear movement of the cylinder is converted into rotational movement by a backlash-compensating gear unit. Precision is increased by backlash-free transmission of force from the gear rack to the pinion.

The semi-rotary drive DRQ...-PPVJ-A has variable end-position adjustment at both ends, combined with adjustable end-position cushioning. This permits constant cushioning over the entire end-position adjustment range.

- Nominal swivel angles of 90°, 180°, 270° or 360°
- Freely selectable swivel angle from 0 to 360°
- With adjustable end-position cushioning at both ends and end-position adjustment for piston \varnothing 16 to 100 mm

- With adjustable end-position cushioning at both ends for piston \varnothing 40 to 100 mm
- For contactless position sensing
- Backlash-free power transmission
- Wide choice of mounting options



Calculation of mass moment of inertia
www.festo.com/en/engineering



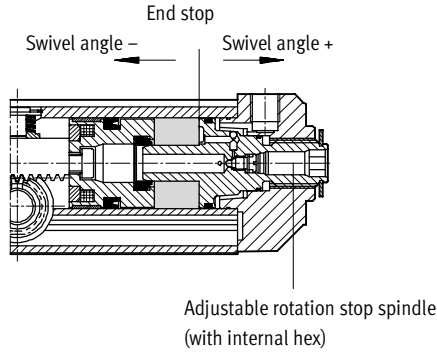
Note
DRQ...-PPV-A (without end-position adjustment) is only available for drives with piston \varnothing 40 to 100 mm.

Semi-rotary drives DRQ

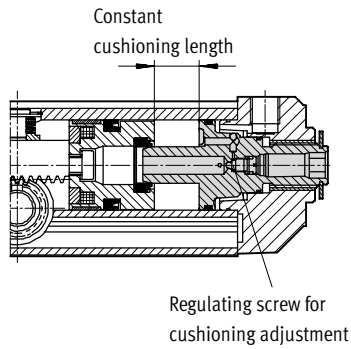
Key features and product range overview

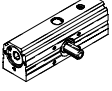
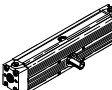
Individually adjustable end positions

The externally adjustable end position adjustment increases service life and permits precise adjustment of the swivel angle.



The design principle always guarantees the full cushioning length. Exception: small swivel angle

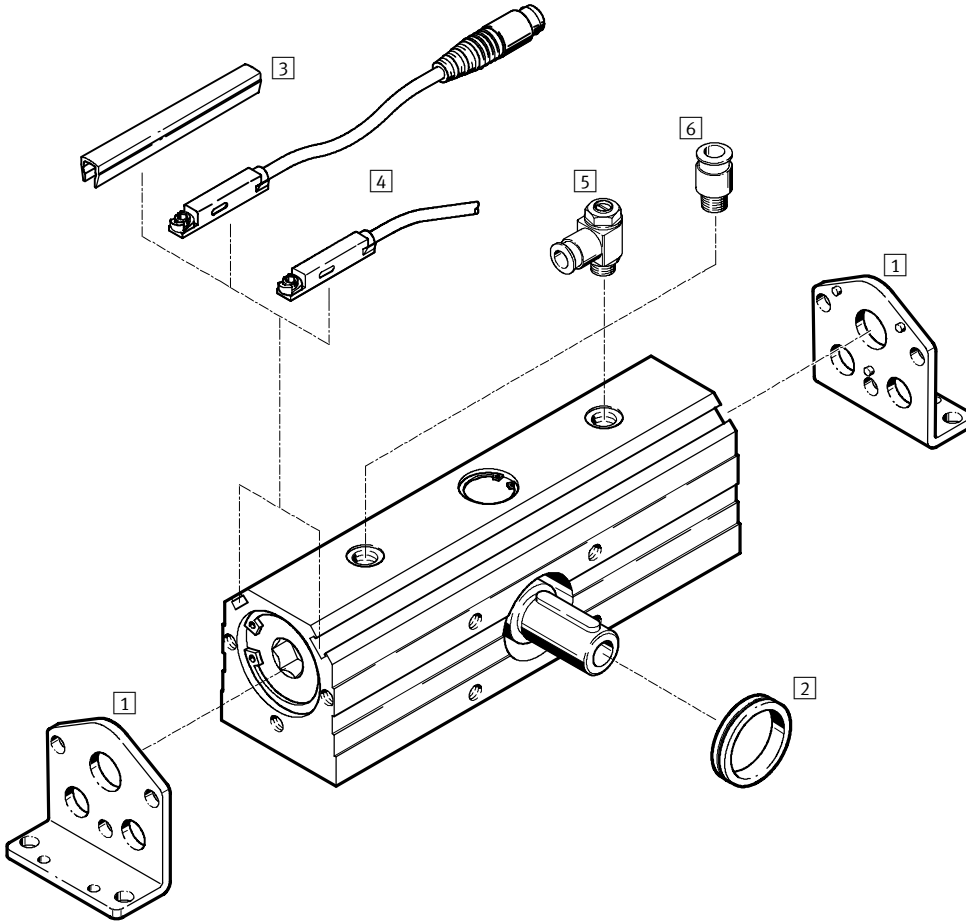


Product range overview									
Function	Design	Type	Piston \varnothing [mm]	Swivel angle		Adjustable cushioning at both ends PPV	End position adjustment	Position sensing A	→ Page
				Fixed [°]	Selectable [°]				
Double-acting	Basic version								
		DRQ	16, 20, 25, 32	90, 180, 270, 360	1 ... 359	■	■	■	1 / 4.2-7
	40, 50, 63, 80, 100				■	■	■	1 / 4.2-7	

Semi-rotary drives DRQ

Peripherals overview

Piston \varnothing 16 ... 32 mm



Swivel drives
Semi-rotary rack and pinion drives

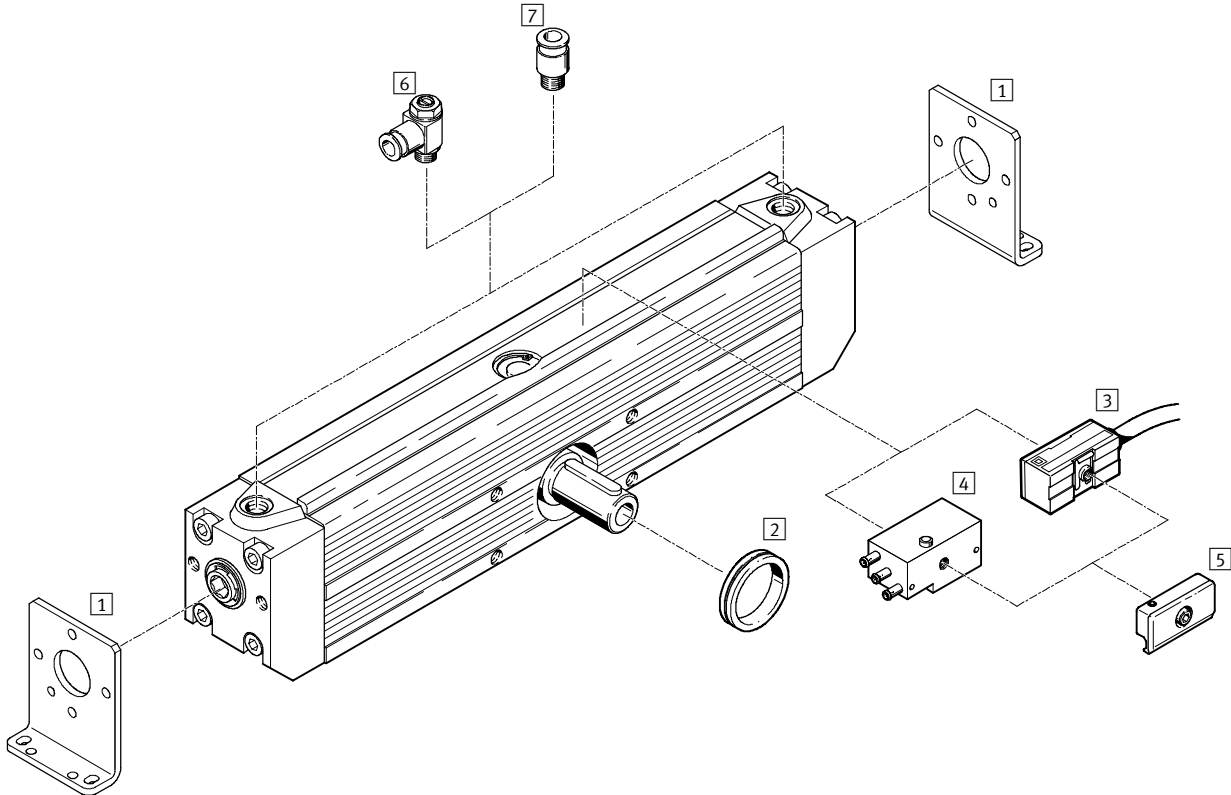
4.2

Mounting attachments and accessories		
	Brief description	→ Page
1	Foot mounting HQ-...-W	1 / 4.2-18
2	Central mounting ZBRQ	1 / 4.2-20
3	Slot cover ABP	1 / 4.2-21
4	Proximity sensors SME/SMT-8	1 / 4.2-21
5	One-way flow control valve GRLA	1 / 4.2-20
6	Push-in fitting QS	Volume 3

Semi-rotary drives DRQ

Peripherals overview

Piston \varnothing 40 ... 100 mm



Mounting attachments and accessories		
	Brief description	→ Page
1	Foot mounting HQ-...-W	1 / 4.2-19
2	Central mounting ZBRQ	1 / 4.2-20
3	Proximity sensors (SMEO/SMTO)	1 / 4.2-22
4	Proximity sensors SMPO	1 / 4.2-22
5	Sensor mounting kit SMB-1	1 / 4.2-22
6	One-way flow control valve GRLA	1 / 4.2-20
7	Push-in fitting QS	Volume 3

Semi-rotary drives DRQ

Type codes



Swivel drives
Semi-rotary rack and pinion drives
4.2

DRQ – 40 – ...-180 – PPVJ – A

Type	
Double-acting	
DRQ	Rotary actuator

Piston \varnothing [mm]

Swivel angle [°]	
Fixed	
90	Nominal swivel angle 90°
180	Nominal swivel angle 180°
270	Nominal swivel angle 270°
360	Nominal swivel angle 360°
Selectable	
...-90	Selectable from 1° to max. 89°
...-180	Selectable from 91° to max. 179°
...-270	Selectable from 181° to max. 269°
...-360	Selectable from 271° to max. 359°

Cushioning	
PPV	Adjustable at both ends without end position adjustment
PPVJ	Adjustable at both ends with end position adjustment

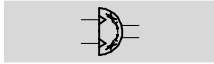
Position sensing	
A	Via proximity sensor

Semi-rotary drives DRQ

Technical data

FESTO

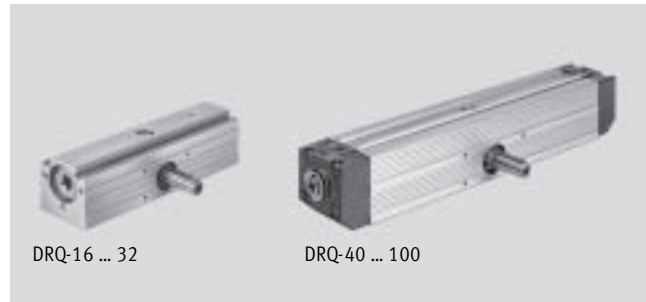
Function



www.festo.com/en/Spare_parts_service

Diameter
16 ... 100 mm

Force
0.5 ... 150 Nm



DRQ-16 ... 32

DRQ-40 ... 100

General technical data									
Piston Ø	16	20	25	32	40	50	63	80	100
Pneumatic connection	M5			G $\frac{1}{8}$	G $\frac{1}{4}$		G $\frac{3}{8}$		G $\frac{1}{2}$
Operating medium	Filtered compressed air, lubricated or unlubricated								
Design	Semi-rotary drive based on the rack and pinion principle								
Cushioning	Adjustable at both ends								
Cushioning length [mm]	6.3	8.2	10.4	13.5	21	23	23	30	30
Cushioning angle [°]	72.2	78.3	74.5	77.3	96	84	65	69	52
Position sensing	Via proximity sensor								
Type of mounting	Via female threads								
	Via accessories								
Mounting position	Any								

Operating and environmental conditions										
Piston Ø	16	20	25	32	40	50	63	80	100	
Operating pressure [bar]	2.5 ... 10									
Max. swivelling frequency at 6 bar ¹⁾	90° [Hz]	4.0	3.4	2.6	2.8	2.2	2.6	1.5	1.7	0.9
	180° [Hz]	2.8	2.0	1.6	1.6	2.3	2.1	1.1	1.3	0.6
	270° [Hz]	2.0	1.3	1.1	1.1	1.8	1.5	0.7	1.0	0.5
	360° [Hz]	1.5	1.0	0.7	0.9	1.2	1.2	0.6	0.9	0.4
Ambient temperature ²⁾ [°C]	-10 ... +60									

- 1) At the max. permissible mass moment of inertia for a completed movement cycle (0° → X° → 0°)
2) Note operating range of proximity sensors.

Forces and torques									
Piston Ø	16	20	25	32	40	50	63	80	100
Theoretical torque at 6 bar [Nm]	0.5	1	2.5	5	9	19	37	75	150
Max. perm. radial load ¹⁾ [N]	60	80	100	120	60	200	300	800	1,500
					150	300	500	1,000	
Max. perm. mass moment of inertia ¹⁾ [kgm ²]	2x10 ⁻⁴	3.5x10 ⁻⁴	7.8x10 ⁻⁴	20x10 ⁻⁴	50x10 ⁻⁴	160x10 ⁻⁴	400x10 ⁻⁴	1,200x10 ⁻⁴	2,000x10 ⁻⁴

- 1) On the drive shaft at maximum frequency

Semi-rotary drives DRQ

Technical data



Swivel drives
Semi-rotary rack and pinion drives

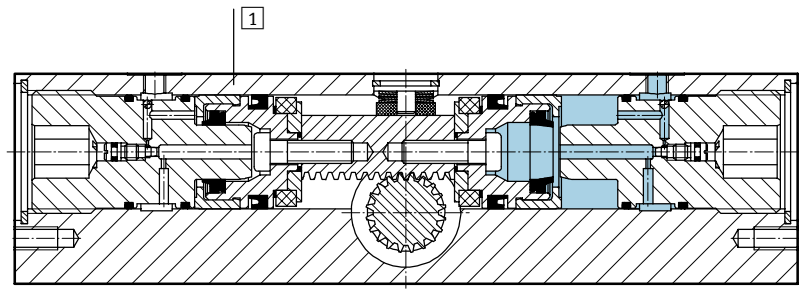
4.2

Weights											
Piston Ø		16	20	25	32	40	50	63	80	100	
DRQ without end position adjustment											
Product weight	90°	[g]	–	–	–	–	2,630	5,030	8,650	16,000	26,800
	180°	[g]					2,920	5,620	9,500	17,700	30,670
	270°	[g]					3,330	6,550	11,000	21,700	34,200
	360°	[g]					3,470	6,750	11,500	22,500	38,000
DRQ with end position adjustment											
Product weight	90°	[g]	530	730	1,120	2,270	2,900	5,510	9,800	19,000	29,300
	180°	[g]	550	800	1,320	2,440	3,220	5,640	10,600	20,700	33,000
	270°	[g]	620	920	1,510	2,770	3,610	6,900	12,200	24,400	39,000
	360°	[g]	640	960	1,570	2,860	3,710	7,180	12,600	25,340	40,600

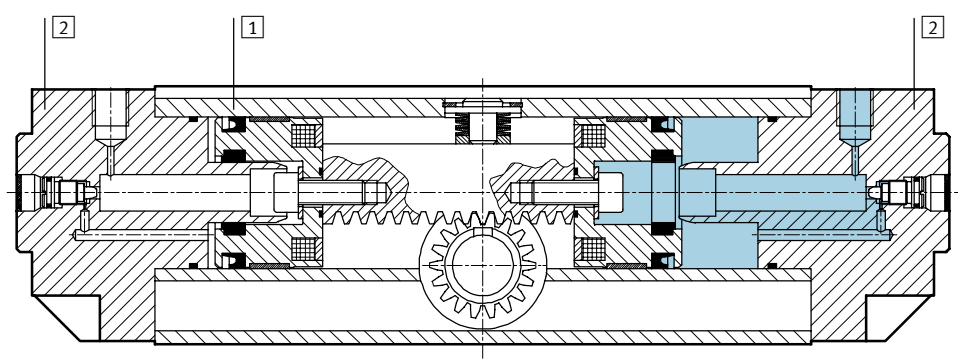
Materials

Sectional view

Ø 16 ... 32



Ø 40 ... 100



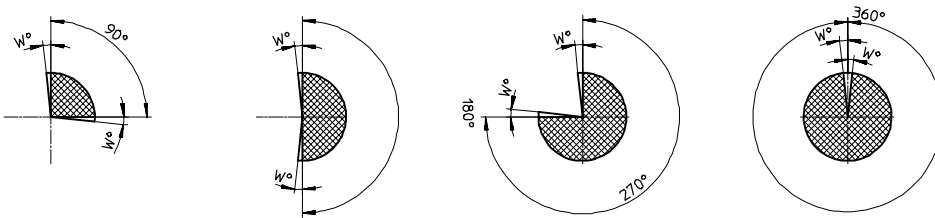
Rotary actuator		
1	Cylinder barrel	Ø 16 ... 32 Anodised aluminium Ø 40 ... 100 Aluminium
2	End cap	Ø 40 ... 100 Die-cast aluminium, anodised
–	Seals	Perbunan, polyurethane

Semi-rotary drives DRQ

Technical data

Swivel angle for DRQ without end position adjustment

Nominal swivel angle

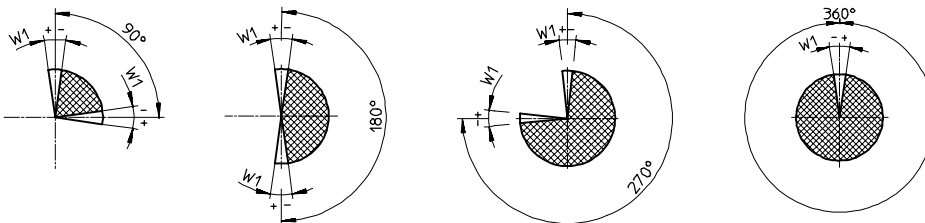


The drives have a tolerance in the end positions that exceeds the guaranteed nominal swivel angle.

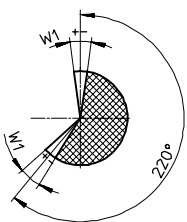
Ø [mm]	Tolerance of end positions W [°]
40	8
50	6
63	4
80	
100	3

Swivel angle for DRQ with end position adjustment

Nominal swivel angle



Selectable swivel angle



Ø [mm]	Adjustment range of swivel angle W1 [°]
16	-4 ... +4
20	
25	-5 ... +5
32	
40	-4 ... +5

Ø [mm]	Adjustment range of swivel angle W1 [°]
50	-7 ... +8
63	-12 ... +12
80	-12 ... +10
100	-8 ... +8

Semi-rotary drives DRQ

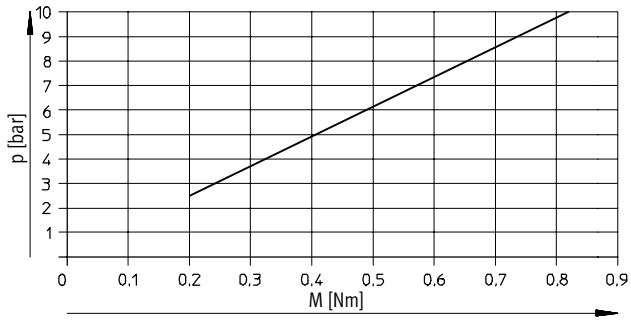
Technical data



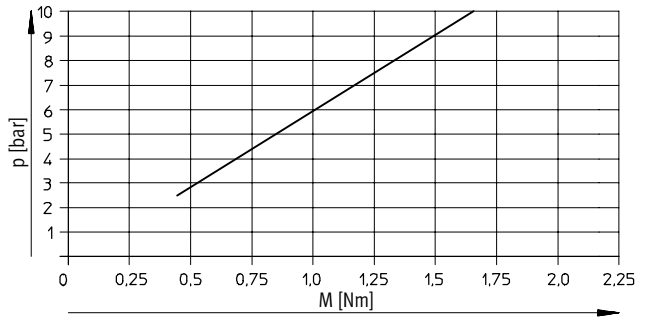
Torque M as a function of the operating pressure p

Static

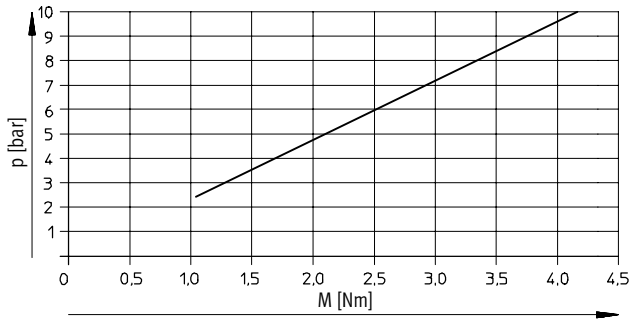
DRQ-16



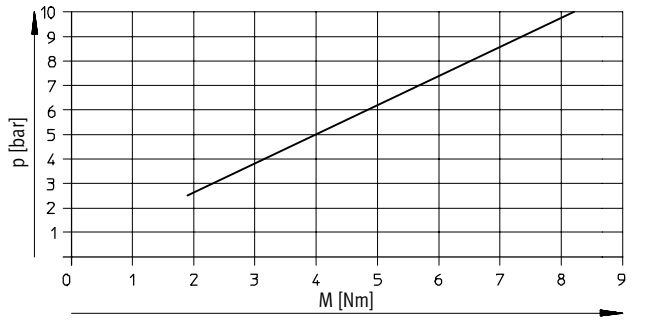
DRQ-20



DRQ-25



DRQ-32



Semi-rotary drives DRQ

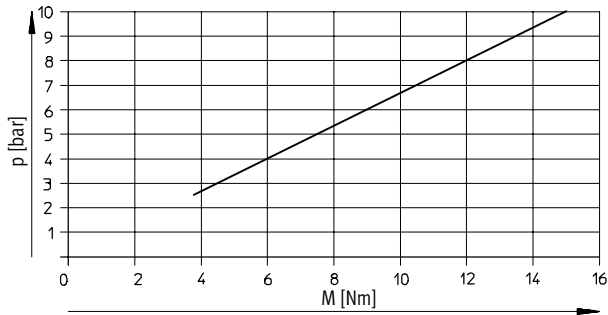
Technical data



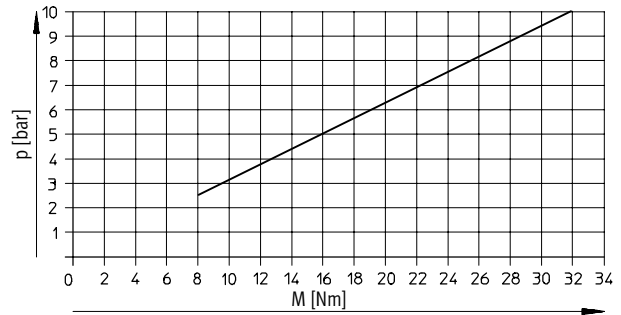
Torque M as a function of the operating pressure p

Static

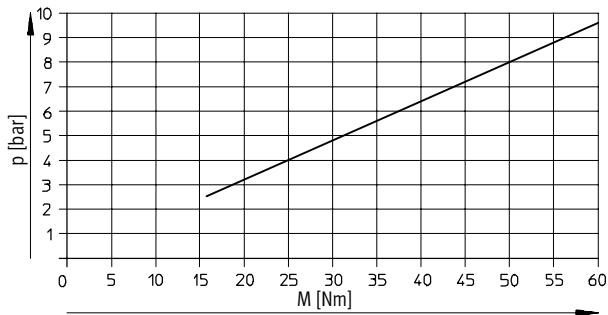
DRQ-40



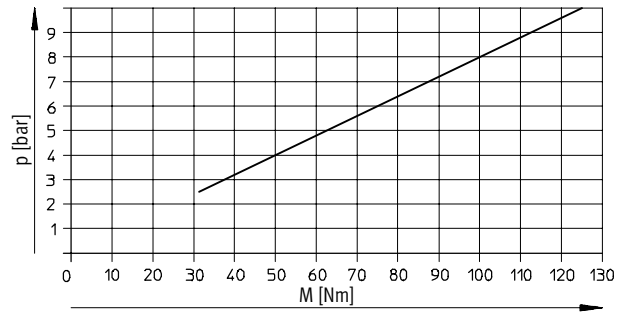
DRQ-50



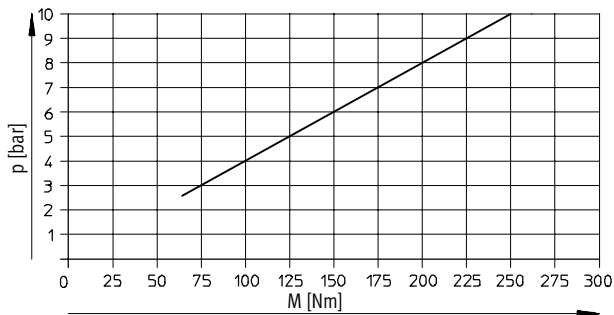
DRQ-63



DRQ-80



DRQ-100



Swivel drives
Semi-rotary rack and pinion drives

4.2

Semi-rotary drives DRQ

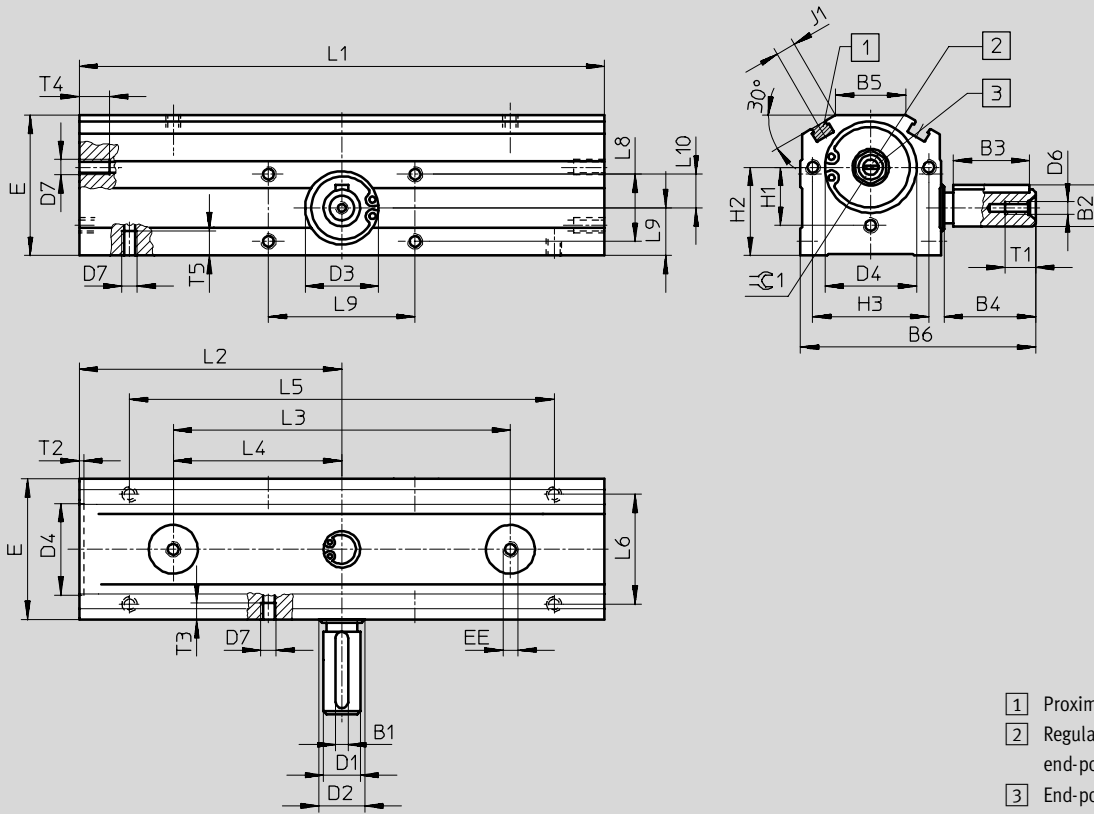
Technical data



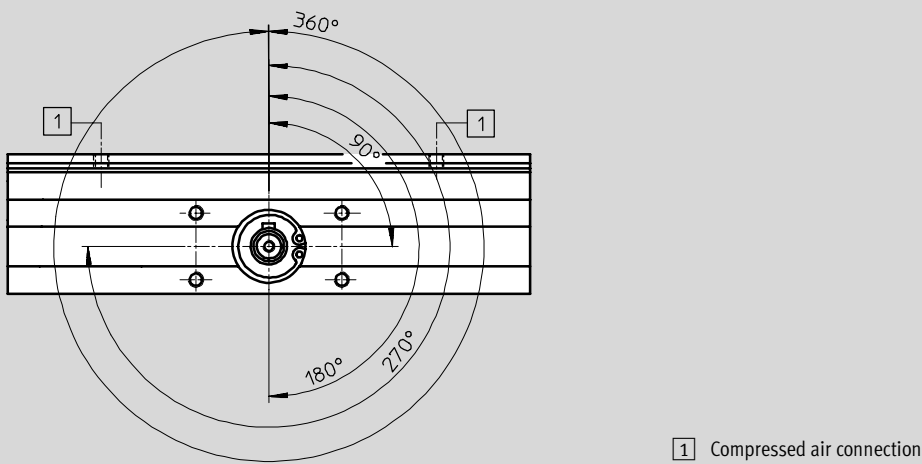
Dimensions

Download CAD data → www.festo.com/en/engineering

Piston \varnothing 16...32 mm



Woodruff key position



1 Compressed air connection

Swivel drives
Semi-rotary rack and pinion drives
4.2

Semi-rotary drives DRQ

Technical data

FESTO

∅	B1	B2	B3	B4	B5	B6	D1	D2	D3
[mm]	h9	max.	-0.2	±0.1			∅ g6	∅ k6	∅ K7
16	2	8.8	16	20	17	57	8	10	19
20	3	11.2	18	23	19	66	10	12	21
25	4	13.5	25	30	23	77	12	15	24
32	4	13.5	25	30	24	87	12	17	26

∅	D4	D6	D7	E	EE	H1	H2	H3	J1
[mm]	∅ H11			±0.4		±0.1	±0.3	±0.1	
16	20	M3	M5	36	M5	13.75	22.5	27.5	5
20	24	M3	M5	42	M5	15.75	26.7	31.5	5.5
25	30	M4	M5	46	M5	19	28.9	38	6.5
32	38	M4	M5	56	G $\frac{1}{8}$	23	33.5	46	8.5

∅		L1	L2	L3	L4	L5
[mm]		±0.05	±0.05	±0.1	±0.1	±0.2
16	90°	137	68.5	92.2	46.1	105
	180°	153	76.5	108.2	54.1	121
	270°	176	88.6	131.2	66.2	144
	360°	184	91.9	139.2	69.5	152
20	90°	142	71	90.8	45.4	110
	180°	160	80	108.8	54.4	128
	270°	189	95.3	137.8	69.7	157
	360°	198	99	146.8	73.4	166
25	90°	172	86	110.4	55.2	139
	180°	197	98.5	135.4	67.7	164
	270°	235	118.5	173.4	88	202
	360°	248	124	186.4	93.2	215
32	90°	228	114	143.8	71.9	196
	180°	259	129.5	174.8	87.4	227
	270°	306	154.7	221.8	112.6	274
	360°	322	161	237.8	118.9	290

∅	L6	L7	L8	L9	L10	T1	T2	T3	T4	T5	≈∅1
[mm]	±0.1	±0.2	±0.1	±0.35	±0.1						
16	28	40	19	13.7	9.5	9	1.3	5.5	10	8	8
20	32	45	22	16	11	9	1.8	5.5	10	8	8
25	36	48	22	15.6	11	10	1.5	5.5	10	8	10
32	44	52	24	17.3	12	10	2	7.5	10	8	14

Swivel drives
Semi-rotary rack and pinion drives

4.2

Semi-rotary drives DRQ

Technical data

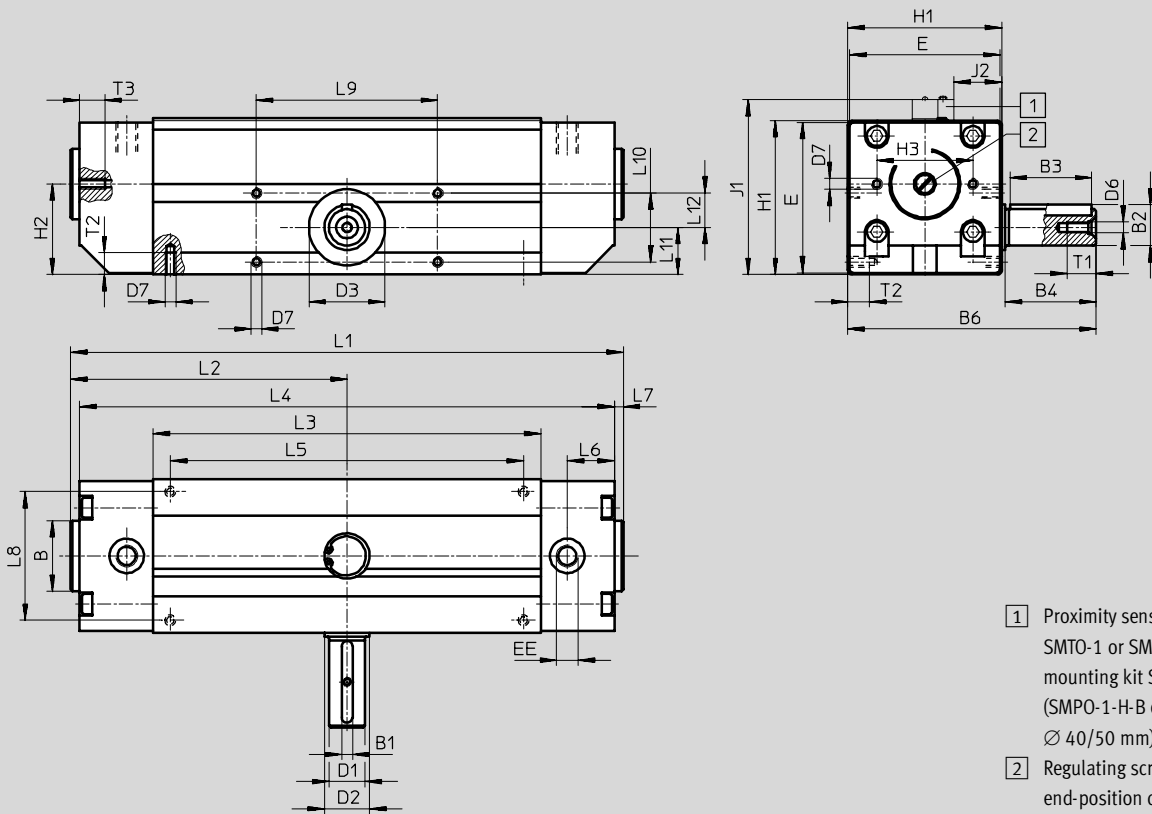


Swivel drives
Semi-rotary rack and pinion drives
4.2

Dimensions

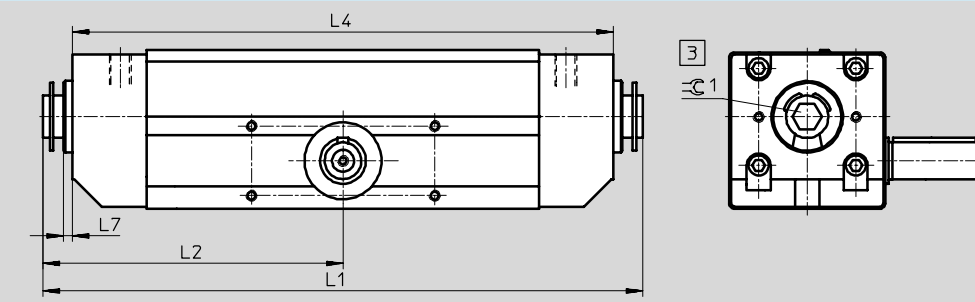
Download CAD data → www.festo.com/en/engineering

Piston \varnothing 40 ... 100 mm, DRQ without end position adjustment



- 1 Proximity sensor SMEO-1/ SMTO-1 or SMPO-1-H-B with mounting kit SMB-1 (SMPO-1-H-B only with \varnothing 40/50 mm)
- 2 Regulating screw for adjustable end-position cushioning

Piston \varnothing 40 ... 100 mm, DRQ with end position adjustment



- 3 End-position adjustment

Semi-rotary drives DRQ

Technical data

FESTO

∅	B	B1	B2	B3	B4	B6	D1	D2	D3
[mm]	∅ h10	h9	max.	-0.3	±0.2		∅ g6	∅ k6	∅ K6
40	33	5	18	36	40	110	16	20	32
50	39	6	22.5	45	50	137	20	25	42
63	46	6	24.5	45	50	158	22	25	47
80	46	8	31	56	60	192	28	30	55
100	50	10	38	70	80	242.5	35	40	80

∅	D6	D7	E	EE	H1	H2	H3	J1	J2
[mm]							±0.2		
40	M5	M6	66	G¼	68 ±0.4	40	47	82	18
50	M6	M6	83	G¼	85 ±0.4	50	53	98	26.5
63	M8	M8	104	G¾	106 ±0.4	64	66	119	37
80	M12	M8	127	G¾	130 ±0.4	80	70.7	142	49
100	M12	M10	157	G½	160 ±0.6	98	94	172	64

∅		L1		L2		L3	L4		L5
		max. PPV	max. PPV]	max. PPV	max. PPV]		max. PPV	max. PPV]	
[mm]						±0.2			±0.2
40	90°	264.4	279	132.3	139.6	194	255.4	254.9	174
	180°	303.4	318	151.8	159.1	233	294.4	293.6	213
	270°	362.4	378	184	191.3	293	354.4	353.6	270
	360°	382.4	397	191.3	198.6	312	373.4	372.7	292
50	90°	307.2	327.2	153.7	163.7	215	296.2	295	195
	180°	356.2	376.2	178.2	188.2	264	345.2	344	244
	270°	431.2	451.2	217.2	227.2	339	420.2	419	316
	360°	455.2	475.2	227.7	237.7	363	444.2	443	343
63	90°	364.4	392.4	182.3	196.3	245	351.4	351	215
	180°	427.4	455.4	213.8	227.8	308	414.4	414	278
	270°	521.4	549.4	263.8	277.8	402	508.4	508	366
	360°	553.4	581.4	276.8	290.8	434	540.4	540	404
80	90°	443.4	495.2	221.8	247.7	310	430.4	450	280
	180°	521.4	573.2	260.8	286.7	388	508.4	528	358
	270°	639.4	691.2	323.8	349.7	506	626.4	646	468
	360°	678.4	730.2	339.3	365.2	545	665.4	685	515
100	90°	506.6	558.2	253.4	278.2	363	483.6	483	323
	180°	609.6	659.2	304.9	329.7	466	586.6	586	426
	270°	765.6	815.2	389.9	417.7	622	742.6	742	568
	360°	817.6	867.2	408.9	433.7	674	794.6	794	634

∅	L6	L7	L8	L9	L10	L11	L12	T1	T2	T3	∓1
[mm]				±0.2	±0.1		±0.1	min.			
40	18	4	56 ±0.1	80	30	21 ±0.4	15	12.5	9	15	10
50	26	5	71 ±0.1	100	38	26 ±0.4	19	16	12	14	14
63	37	6	90 ±0.1	130	48	32 ±0.4	24	19	15	19	14
80	51	6	112 ±0.2	160	60	39 ±0.4	30	28	15	17	14
100	38	11	140 ±0.2	200	76	48 ±0.5	38	28	20	22	14

Swivel drives
Semi-rotary rack and pinion drives

4.2

Semi-rotary drives DRQ

Technical data



Swivel drives
Semi-rotary rack and pinion drives

4.2

Ordering data – Variants with end position adjustment						
Design	∅ 16 [mm]		∅ 20 [mm]		∅ 25 [mm]	
	Part No.	Type	Part No.	Type	Part No.	Type
Nominal swivel angle						
90°	35 200	DRQ-16-90-PPVJ-A	35 204	DRQ-20-90-PPVJ-A	35 208	DRQ-25-90-PPVJ-A
180°	35 201	DRQ-16-180-PPVJ-A	35 205	DRQ-20-180-PPVJ-A	35 209	DRQ-25-180-PPVJ-A
270°	35 202	DRQ-16-270-PPVJ-A	35 206	DRQ-20-270-PPVJ-A	35 210	DRQ-25-270-PPVJ-A
360°	35 203	DRQ-16-360-PPVJ-A	35 207	DRQ-20-360-PPVJ-A	35 211	DRQ-25-360-PPVJ-A
Selectable swivel angle						
1 ... max. 89°	154 451	DRQ-16-...-90-PPVJ-A	154 455	DRQ-20-...-90-PPVJ-A	154 459	DRQ-25-...-90-PPVJ-A
91 ... max. 179°	154 452	DRQ-16-...-180-PPVJ-A	154 456	DRQ-20-...-180-PPVJ-A	154 460	DRQ-25-...-180-PPVJ-A
181 ... max. 269°	154 453	DRQ-16-...-270-PPVJ-A	154 457	DRQ-20-...-270-PPVJ-A	154 461	DRQ-25-...-270-PPVJ-A
271 ... max. 359°	154 454	DRQ-16-...-360-PPVJ-A	154 458	DRQ-20-...-360-PPVJ-A	154 462	DRQ-25-...-360-PPVJ-A

Design	∅ 32 [mm]		∅ 40 [mm]		∅ 50 [mm]	
	Part No.	Type	Part No.	Type	Part No.	Type
Nominal swivel angle						
90°	35 212	DRQ-32-90-PPVJ-A	19 380	DRQ-40-90-PPVJ-A	19 383	DRQ-50-90-PPVJ-A
180°	35 213	DRQ-32-180-PPVJ-A	19 381	DRQ-40-180-PPVJ-A	19 384	DRQ-50-180-PPVJ-A
270°	35 214	DRQ-32-270-PPVJ-A	30 600	DRQ-40-270-PPVJ-A	30 601	DRQ-50-270-PPVJ-A
360°	35 215	DRQ-32-360-PPVJ-A	19 382	DRQ-40-360-PPVJ-A	19 385	DRQ-50-360-PPVJ-A
Selectable swivel angle						
1 ... max. 89°	154 463	DRQ-32-...-90-PPVJ-A	150 180	DRQ-40-...-90-PPVJ-A	150 183	DRQ-50-...-90-PPVJ-A
91 ... max. 179°	154 464	DRQ-32-...-180-PPVJ-A	150 181	DRQ-40-...-180-PPVJ-A	150 184	DRQ-50-...-180-PPVJ-A
181 ... max. 269°	154 465	DRQ-32-...-270-PPVJ-A	151 310	DRQ-40-...-270-PPVJ-A	151 311	DRQ-50-...-270-PPVJ-A
271 ... max. 359°	154 466	DRQ-32-...-360-PPVJ-A	150 182	DRQ-40-...-360-PPVJ-A	150 185	DRQ-50-...-360-PPVJ-A

Design	∅ 63 [mm]		∅ 80 [mm]		∅ 100 [mm]	
	Part No.	Type	Part No.	Type	Part No.	Type
Nominal swivel angle						
90°	19 386	DRQ-63-90-PPVJ-A	19 389	DRQ-80-90-PPVJ-A	19 392	DRQ-100-90-PPVJ-A
180°	19 387	DRQ-63-180-PPVJ-A	19 390	DRQ-80-180-PPVJ-A	19 393	DRQ-100-180-PPVJ-A
270°	30 602	DRQ-63-270-PPVJ-A	30 603	DRQ-80-270-PPVJ-A	30 604	DRQ-100-270-PPVJ-A
360°	19 388	DRQ-63-360-PPVJ-A	19 391	DRQ-80-360-PPVJ-A	19 394	DRQ-100-360-PPVJ-A
Selectable swivel angle						
1 ... max. 89°	150 186	DRQ-63-...-90-PPVJ-A	150 189	DRQ-80-...-90-PPVJ-A	150 192	DRQ-100-...-90-PPVJ-A
91 ... max. 179°	150 187	DRQ-63-...-180-PPVJ-A	150 190	DRQ-80-...-180-PPVJ-A	150 193	DRQ-100-...-180-PPVJ-A
181 ... max. 269°	151 312	DRQ-63-...-270-PPVJ-A	151 313	DRQ-80-...-270-PPVJ-A	151 314	DRQ-100-...-270-PPVJ-A
271 ... max. 359°	150 188	DRQ-63-...-360-PPVJ-A	150 191	DRQ-80-...-360-PPVJ-A	150 194	DRQ-100-...-360-PPVJ-A

Semi-rotary drives DRQ

Technical data

FESTO

Ordering data – Variants without end position adjustment						
Design	∅ 40 [mm]		∅ 50 [mm]		∅ 63 [mm]	
	Part No.	Type	Part No.	Type	Part No.	Type
Nominal swivel angle						
90°	30 580	DRQ-40-90-PPV-A	30 584	DRQ-50-90-PPV-A	30 588	DRQ-63-90-PPV-A
180°	30 581	DRQ-40-180-PPV-A	30 585	DRQ-50-180-PPV-A	30 589	DRQ-63-180-PPV-A
270°	30 582	DRQ-40-270-PPV-A	30 586	DRQ-50-270-PPV-A	30 590	DRQ-63-270-PPV-A
360°	30 583	DRQ-40-360-PPV-A	30 587	DRQ-50-360-PPV-A	30 591	DRQ-63-360-PPV-A
Selectable swivel angle						
1 ... max. 89°	150 242	DRQ-40-...-90-PPV-A	150 245	DRQ-50-...-90-PPV-A	150 248	DRQ-63-...-90-PPV-A
91 ... max. 179°	150 243	DRQ-40-...-180-PPV-A	150 246	DRQ-50-...-180-PPV-A	150 249	DRQ-63-...-180-PPV-A
181 ... max. 269°	151 315	DRQ-40-...-270-PPV-A	151 316	DRQ-50-...-270-PPV-A	151 317	DRQ-63-...-270-PPV-A
271 ... max. 359°	150 244	DRQ-40-...-360-PPV-A	150 247	DRQ-50-...-360-PPV-A	150 250	DRQ-63-...-360-PPV-A

Design	∅ 80 [mm]		∅ 100 [mm]		
	Part No.	Type	Part No.	Type	
Nominal swivel angle					
90°	30 592	DRQ-80-90-PPV-A	30 596	DRQ-100-90-PPV-A	–
180°	30 593	DRQ-80-180-PPV-A	30 597	DRQ-100-180-PPV-A	
270°	30 594	DRQ-80-270-PPV-A	30 598	DRQ-100-270-PPV-A	
360°	30 595	DRQ-80-360-PPV-A	30 599	DRQ-100-360-PPV-A	
Selectable swivel angle					
1 ... max. 89°	150 251	DRQ-80-...-90-PPV-A	150 254	DRQ-100-...-90-PPV-A	–
91 ... max. 179°	150 252	DRQ-80-...-180-PPV-A	150 255	DRQ-100-...-180-PPV-A	
181 ... max. 269°	151 318	DRQ-80-...-270-PPV-A	151 319	DRQ-100-...-270-PPV-A	
271 ... max. 359°	150 253	DRQ-80-...-360-PPV-A	150 256	DRQ-100-...-360-PPV-A	

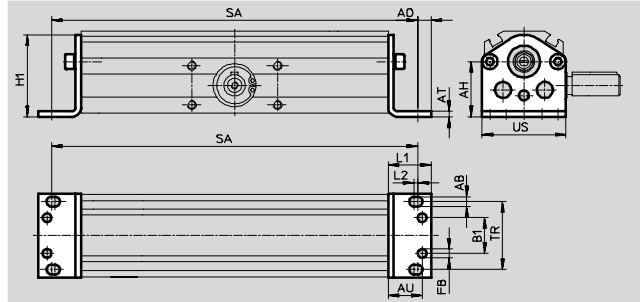
Semi-rotary drives DRQ

Accessories



Foot mounting HQ-...-W
for piston \varnothing 16...32 mm

Material:
Galvanised steel



Dimensions and ordering data						
For \varnothing	AB	AH	A0	AT	AU	B1
[mm]	\varnothing H13					
16	5.5	24.5	7.5	2.5	19	10 ± 0.1
20	5.5	28.7	7.5	2.5	19	14 ± 0.1
25	5.5	30.9	7.5	3	19	20 ± 0.1
32	5.5	35.5	7.5	3	19	28 ± 0.1

For \varnothing	FB	H1	L1	L2	TR	US
[mm]	\varnothing -0.1					
16	4.9	35.5	24	2	27.5 ± 0.1	37
20	4.9	41.7	24	2	31.5 ± 0.1	43
25	4.9	45.9	24	2	38 ± 0.1	47
32	4.9	55.5	24	2	46 ± 0.1	57

For \varnothing	SA				CRC ¹⁾	Part No.	Type
	Swivel angle						
[mm]	90°	180°	270°	360°			
16	170 ± 1.05	186 ± 1.05	209 ± 1.05	217 ± 1.05	2	35 232	HQ-16-W
20	175 ± 1.05	193 ± 1.05	222 ± 1.05	231 ± 1.05	2	35 233	HQ-20-W
25	205 ± 1.05	230 ± 1.05	268 ± 1.05	281 ± 1.05	2	35 234	HQ-25-W
32	261 ± 1.05	292 ± 1.05	339 ± 1.05	355 ± 1.05	2	35 235	HQ-32-W

1) Corrosion resistance class 2 according to Festo standard 940 070
Components requiring moderate corrosion resistance. Externally visible parts with primarily decorative surface requirements which are in direct contact with a surrounding industrial atmosphere or media such as cooling or lubricating agents.

Swivel drives
Semi-rotary rack and pinion drives

4.2

Semi-rotary drives DRQ



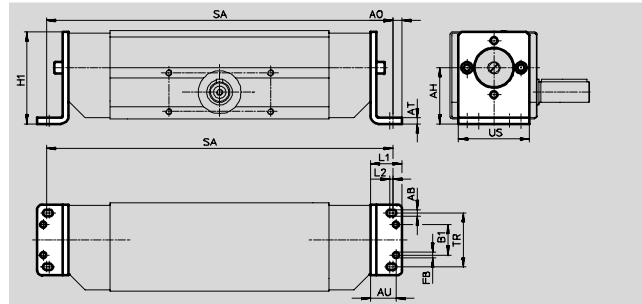
Accessories

Foot mounting HQ-...-W

for piston \varnothing 40 ... 100 mm

Material:

Galvanised steel



Dimensions and ordering data						
For \varnothing [mm]	AB \varnothing H13	AH	AO	AT	AU	B1
40	6.6	45	9	5	24	24 ± 0.2
50	6.6	55	9	6	25	30 ± 0.2
63	9	69	11.5	6	30	36 ± 0.2
80	9	84	11.5	8	32	40 ± 0.2
100	11	102	13.5	8	36	58 ± 0.2

For \varnothing [mm]	FB \varnothing -0.1	H1	L1	L2	TR	US
40	5.9	77	30	3	47 ± 0.2	63.5
50	5.9	90	31	3	53 ± 0.2	69.5
63	7.9	112.5	37	4	66 ± 0.2	87
80	7.9	130	39	4	70.7 ± 0.2	89
100	9.9	161.5	44	5	94 ± 0.2	119

For \varnothing [mm]	SA (for DRQ without end position adjustment)				CRC ¹⁾	Part No.	Type
	Swivel angle						
	90°	180°	270°	360°			
40	297.4 $+1.6/-1.2$	336.4 $+1.6/-1.2$	396.4 $+1.6/-1.2$	415.4 $+1.6/-1.2$	2	19 360	HQ-40-W
50	340.2 $+1.6/-1.2$	389.2 $+1.6/-1.2$	464.2 $+1.6/-1.2$	488.8 $+1.6/-1.2$	2	19 361	HQ-50-W
63	402.4 $+1.8/-1.4$	465.4 $+1.8/-1.4$	559.4 $+1.8/-1.4$	591.4 $+1.8/-1.4$	2	19 362	HQ-63-W
80	485.4 $+1.8/-1.4$	563.4 $+1.8/-1.4$	681.4 $+1.8/-1.4$	720.4 $+1.8/-1.4$	2	19 363	HQ-80-W
100	544.6 $+1.8/-1.4$	647.6 $+1.8/-1.4$	803.6 $+1.8/-1.4$	855.6 $+1.8/-1.4$	2	19 364	HQ-100-W

For \varnothing [mm]	SA (for DRQ with end position adjustment)				CRC ¹⁾	Part No.	Type
	Swivel angle						
	90°	180°	270°	360°			
40	296.6 $+1/-1.4$	335.6 $+1/-1.4$	395.6 $+1/-1.4$	414.6 $+1/-1.4$	2	19 360	HQ-40-W
50	339 $+1/-1.4$	388 $+1/-1.4$	463 $+1/-1.4$	487 $+1/-1.4$	2	19 361	HQ-50-W
63	402 $+1/-1.4$	465 $+1/-1.4$	559 $+1/-1.4$	591 $+1/-1.4$	2	19 362	HQ-63-W
80	505 $+1/-1.4$	583 $+1/-1.4$	701 $+1/-1.4$	740 $+1/-1.4$	2	19 363	HQ-80-W
100	544 $+1.2/-1.6$	647 $+1.2/-1.6$	803 $+1.2/-1.6$	855 $+1.2/-1.6$	2	19 364	HQ-100-W

1) Corrosion resistance class 2 according to Festo standard 940 070

Components requiring moderate corrosion resistance. Externally visible parts with primarily decorative surface requirements which are in direct contact with a surrounding industrial atmosphere or media such as cooling or lubricating agents.

Swivel drives
Semi-rotary rack and pinion drives

Semi-rotary drives DRQ

Accessories

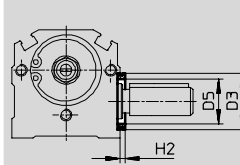


Central mounting ZBRQ

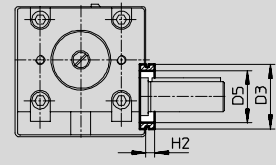
Material:
Wrought aluminium alloy
Free of copper, PTFE and silicone



ZBRQ with DRQ-16 ... 32



ZBRQ with DRQ-40 ... 100



Dimensions and ordering data						
For \varnothing	D3	D5	H2	CRC ¹⁾	Part No.	Type
[mm]	\varnothing js7	\varnothing	max.			
16	19	14	1.8	2	35 236	ZBRQ-16
20	21	16	2.3	2	35 237	ZBRQ-20
25	24	19	2.1	2	35 238	ZBRQ-25
32	26	21	2.3	2	35 239	ZBRQ-32
40	32	25	4.8	2	19 395	ZBRQ-40
50	42	34	5.8	2	19 396	ZBRQ-50
63	47	38	5.8	2	19 397	ZBRQ-63
80	55	44	8	2	19 398	ZBRQ-80
100	80	68	8	2	19 399	ZBRQ-100

1) Corrosion resistance class 2 according to Festo standard 940 070
Components requiring moderate corrosion resistance. Externally visible parts with primarily decorative surface requirements which are in direct contact with a surrounding industrial atmosphere or media such as cooling or lubricating agents.

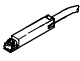
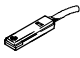
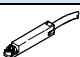
Ordering data – One-way flow control valves			Technical data → Volume 2		
Connection	Material		Part No.	Type	
	Thread	For tubing O.D.			
	M5	3	Metal design	193 137	GRLA-M5-QS-3-D
		4		193 138	GRLA-M5-QS-4-D
	G ¹ / ₈	3		193 142	GRLA- ¹ / ₈ -QS-3-D
		4		193 143	GRLA- ¹ / ₈ -QS-4-D
		6		193 144	GRLA- ¹ / ₈ -QS-6-D
		8		193 145	GRLA- ¹ / ₈ -QS-8-D
	G ¹ / ₄	6		193 146	GRLA- ¹ / ₄ -QS-6-D
		8		193 147	GRLA- ¹ / ₄ -QS-8-D
		10		193 148	GRLA- ¹ / ₄ -QS-10-D
	G ³ / ₈	6		193 149	GRLA- ³ / ₈ -QS-6-D
		8		193 150	GRLA- ³ / ₈ -QS-8-D
		10		193 151	GRLA- ³ / ₈ -QS-10-D
	G ¹ / ₂	12		193 152	GRLA- ¹ / ₂ -QS-12-D

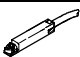
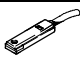
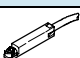
Core Range

Semi-rotary drives DRQ

Accessories

FESTO

Ordering data – Proximity sensor for slot type 8, magneto-resistive							Technical data → 1 / 10.2-13			
	Mounting	Switch output	Electrical connection			Cable length [m]	Part No.	Type		
			Cable	M8 plug	M12 plug					
NO contact										
	Insertable from above	PNP	3-wire	–	–	2.5	525 898	SMT-8F-PS-24V-K2,5-OE	☉	
		NPN		–	–		525 909	SMT-8F-NS-24V-K2,5-OE	☉	
		–	2-wire	–	–	2.5	525 908	SMT-8F-ZS-24V-K2,5-OE	☉	
		PNP	–	3-pin	–	–	0.3	525 899	SMT-8F-PS-24V-K0,3-M8D	☉
		NPN			–	–		525 910	SMT-8F-NS-24V-K0,3-M8D	☉
		PNP	–	–	3-pin	–	0.3	525 900	SMT-8F-PS-24V-K0,3-M12	☉
	Insertable, flush with the cylinder profile	PNP	3-wire	–	–	2.5	175 436	SMT-8-PS-K-LED-24-B		
		–	3-pin	–	–	0.3	175 484	SMT-8-PS-S-LED-24-B		
NC contact										
	Insertable from above	PNP	3-wire	–	–	7.5	525 911	SMT-8F-PO-24V-K7,5-OE	☉	

Ordering data – Proximity sensor for slot type 8, magnetic reed							Technical data → 1 / 10.2-16	
	Mounting	Electrical connection			Cable length [m]	Part No.	Type	
		Cables	M8 plug					
NO contact								
	Insertable from above	3-wire		–	2.5	525 895	SME-8F-DS-24V-K2,5-OE	☉
		2-wire		–	5.0	525 897	SME-8F-DS-24V-K5,0-OE	☉
		–	–	3-pin	0.3	525 907	SME-8F-ZS-24V-K2,5-OE	☉
		–	–	3-pin	0.3	525 896	SME-8F-DS-24V-K0,3-M8D	☉
	Insertable, flush with the cylinder profile	3-wire		–	2.5	150 855	SME-8-K-LED-24	
		–	–	3-pin	0.3	150 857	SME-8-S-LED-24	
NC contact								
	Insertable from above	3-wire		–	7.5	525 906	SME-8F-DO-24V-K7,5-OE	☉

Ordering data – Slot cover for slot type 8				
	Mounting	Length [m]	Part No.	Type
	Insertable from above	2x 0.5	151 680	ABP-5-S

 Core Range


Semi-rotary drives DRQ


Accessories

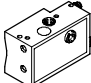
FESTO

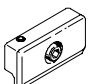
Swivel drives
Semi-rotary rack and pinion drives


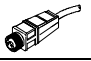

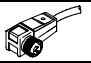
4.2

Ordering data – Rectangular proximity sensor, magneto-resistive						Technical data → 1 / 10.2-73	
	Mounting	Switch output	Electrical connection		Cable length [m]	Part No.	Type
			Cable	M8 plug			
NO contact							
	Via accessories	PNP	3-wire	–	2.5	151 683	SMT0-1-PS-K-LED-24-C
			–	3-pin	–	151 685	SMT0-1-PS-S-LED-24-C
		NPN	3-wire	–	2.5	151 684	SMT0-1-NS-K-LED-24-C
			–	3-pin	–	151 686	SMT0-1-NS-S-LED-24-C

Ordering data – Rectangular proximity sensor, magnetic reed						Technical data → 1 / 10.2-73	
	Mounting	Electrical connection		Cable length [m]	Part No.	Type	
		Cables	M8 plug				
NO contact							
	Via accessories	3-wire		–	2.5	30 459	SME0-1-LED-24-B
		3-wire		–	5.0	151 672	SME0-1-LED-24-K5-B
		–		3-pin	–	150 848	SME0-1-S-LED-24-B

Ordering data – Rectangular proximity sensors, pneumatic				Technical data → 1 / 10.2-73			
	Mounting	Pneumatic connection		Part No.	Type		
3/2-way valve, normally closed							
	Via accessories	Barbed fitting for tubing ID of 3 mm		31 008	SMPO-1-H-B		

Ordering data – Mounting kit				Technical data → 1 / 10.2-88				
	Mounting	Part No.	Type					
	For cylinder with tie rod \varnothing 6 mm or profile mounting rail		11 886	SMB-1				

Ordering data – Plug sockets						Technical data → 1 / 10.2-100	
	Mounting	Switch output		Connection	Cable length [m]	Part No.	Type
		PNP	NPN				
Straight socket							
	M8 union nut	■	■	3-pin	2.5	159 420	SIM-M8-3GD-2,5-PU
					5	159 421	SIM-M8-3GD-5-PU
	M12 union nut	■	■	3-pin	2.5	159 428	SIM-M12-3GD-2,5-PU
					5	159 429	SIM-M12-3GD-5-PU
Angled plug socket							
	M8 union nut	■	■	3-pin	2.5	159 422	SIM-M8-3WD-2,5-PU
					5	159 423	SIM-M8-3WD-5-PU
	M12 union nut	■	■	3-pin	2.5	159 430	SIM-M12-3WD-2,5-PU
					5	159 431	SIM-M12-3WD-5-PU

 Core Range